

Visão geral gráfica sobre SONET

Contents

[Introduction](#)

[Prerequisites](#)

[Requirements](#)

[Componentes Utilizados](#)

[Conventions](#)

[Visão geral do SONET](#)

[O enlace SONET](#)

[Quadros de STS-1](#)

[Carga adicional STS-1 SONET](#)

[Concatenação OC-12](#)

[Hierarquia SONET](#)

[Interações para manutenção do SONET](#)

[Alarmes e critérios de detecção](#)

[Bytes STS-1 SOH, LOH, POH e VT POH](#)

[Informações Relacionadas](#)

Introduction

Este documento fornece uma visão geral do Synchronous Optical Network (SONET), representada em imagens.

Note: *Tabelas e diagramas cortesia da JDS Uniphase Corporation*

Prerequisites

Requirements

Não existem requisitos específicos para este documento.

Componentes Utilizados

Este documento não se restringe a versões de software e hardware específicas.

Conventions

Consulte as [Convenções de Dicas Técnicas da Cisco para obter mais informações sobre convenções de documentos.](#)

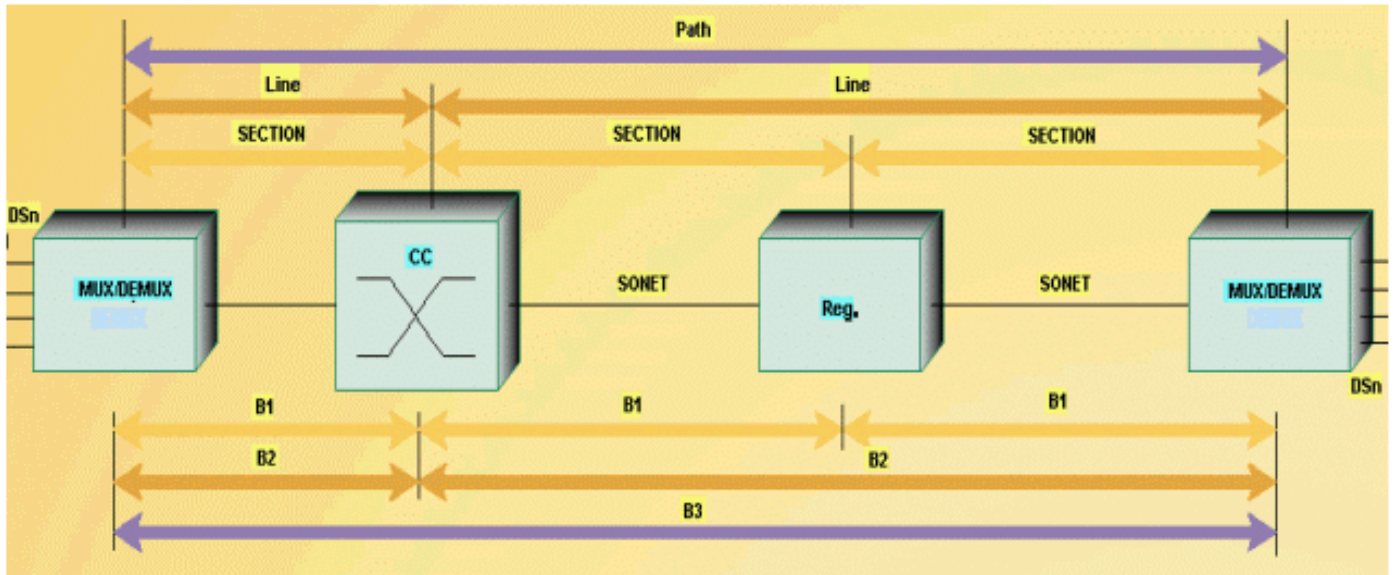
Visão geral do SONET

Esta seção fornece uma visão geral do SONET em um formato gráfico.

O enlace SONET

A [Figura 1](#) mostra como é um link SONET.

Figura 1: Um link SONET

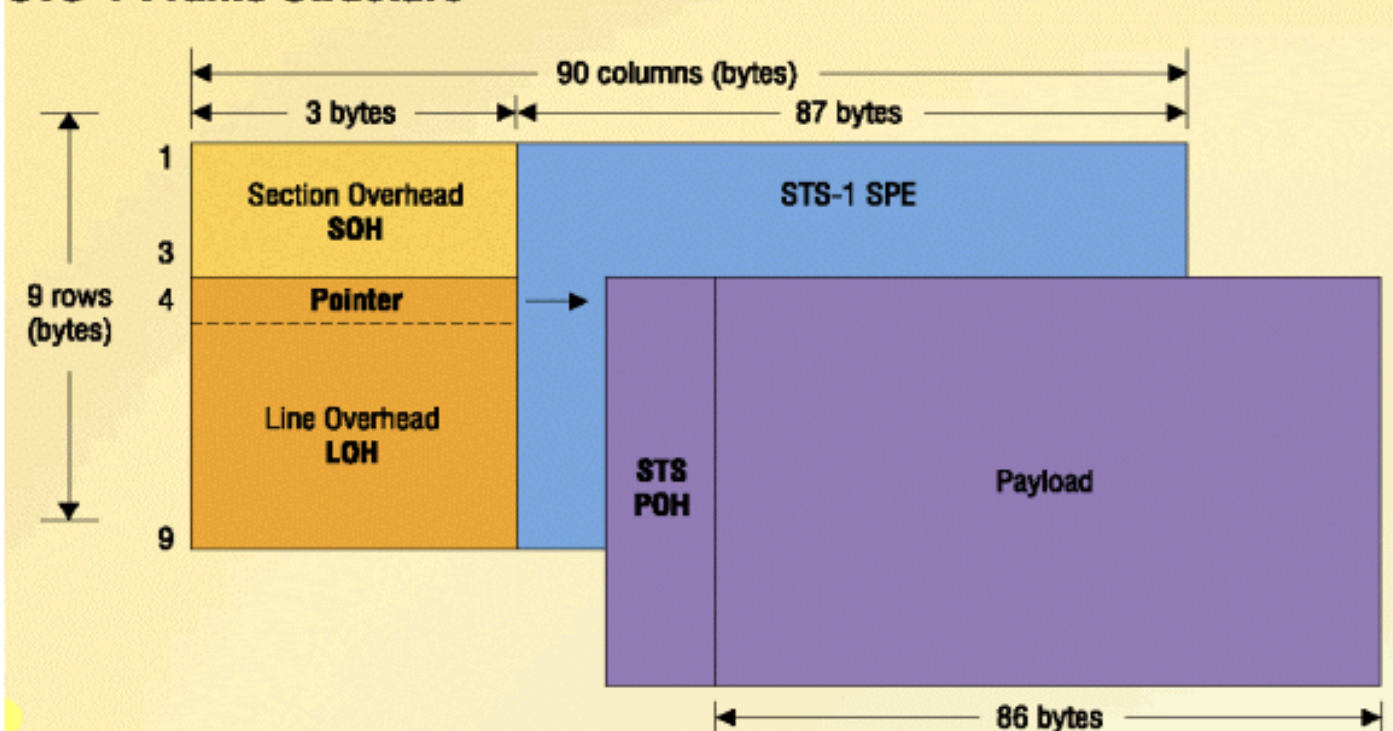


Quadros de STS-1

A [Figura 2](#) mostra a estrutura do quadro de nível 1 do Sinal de Transporte Síncrono (STS-1).

Figura 2: Estrutura do quadro STS-1

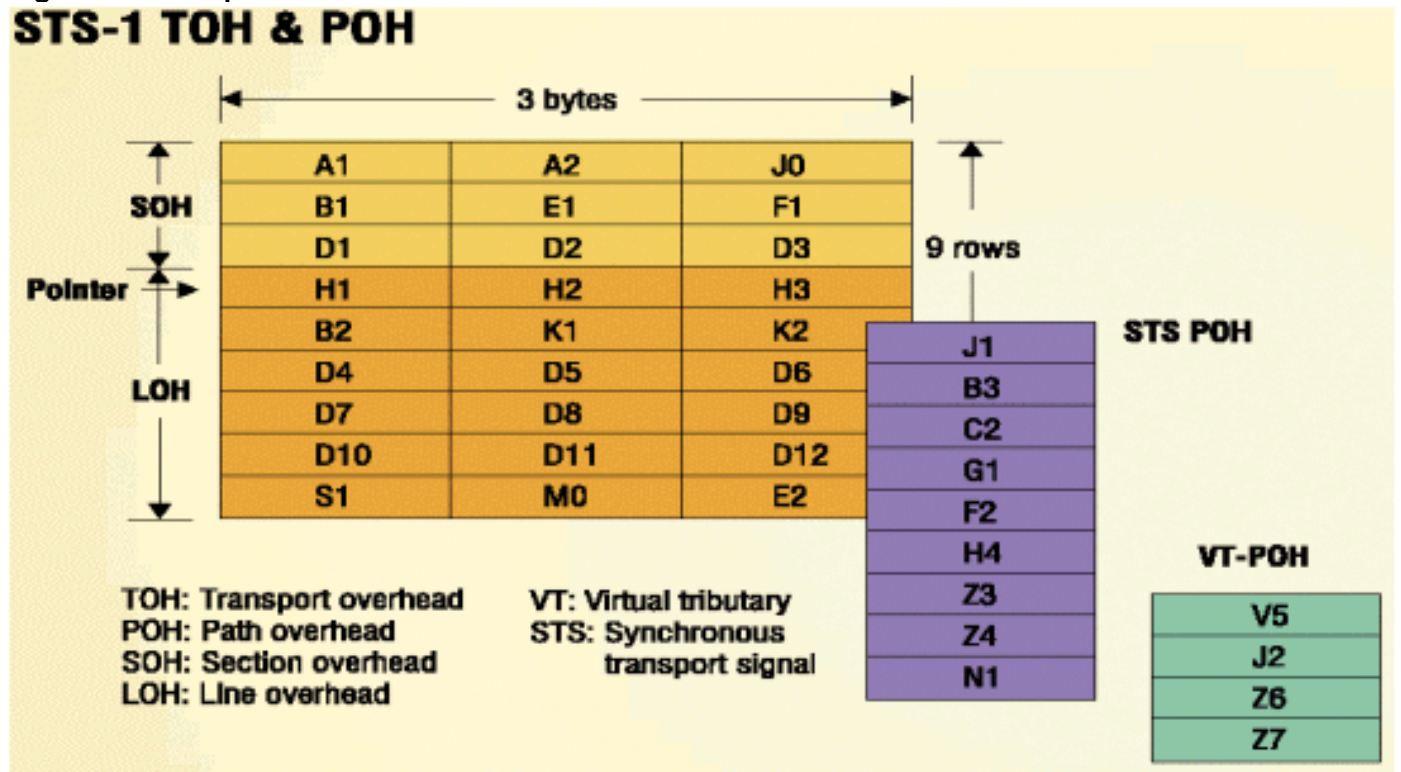
STS-1 Frame Structure



Carga adicional STS-1 SONET

A [Figura 3](#) mostra o STS-1 Transport and Path Overhead (SONET Overhead).

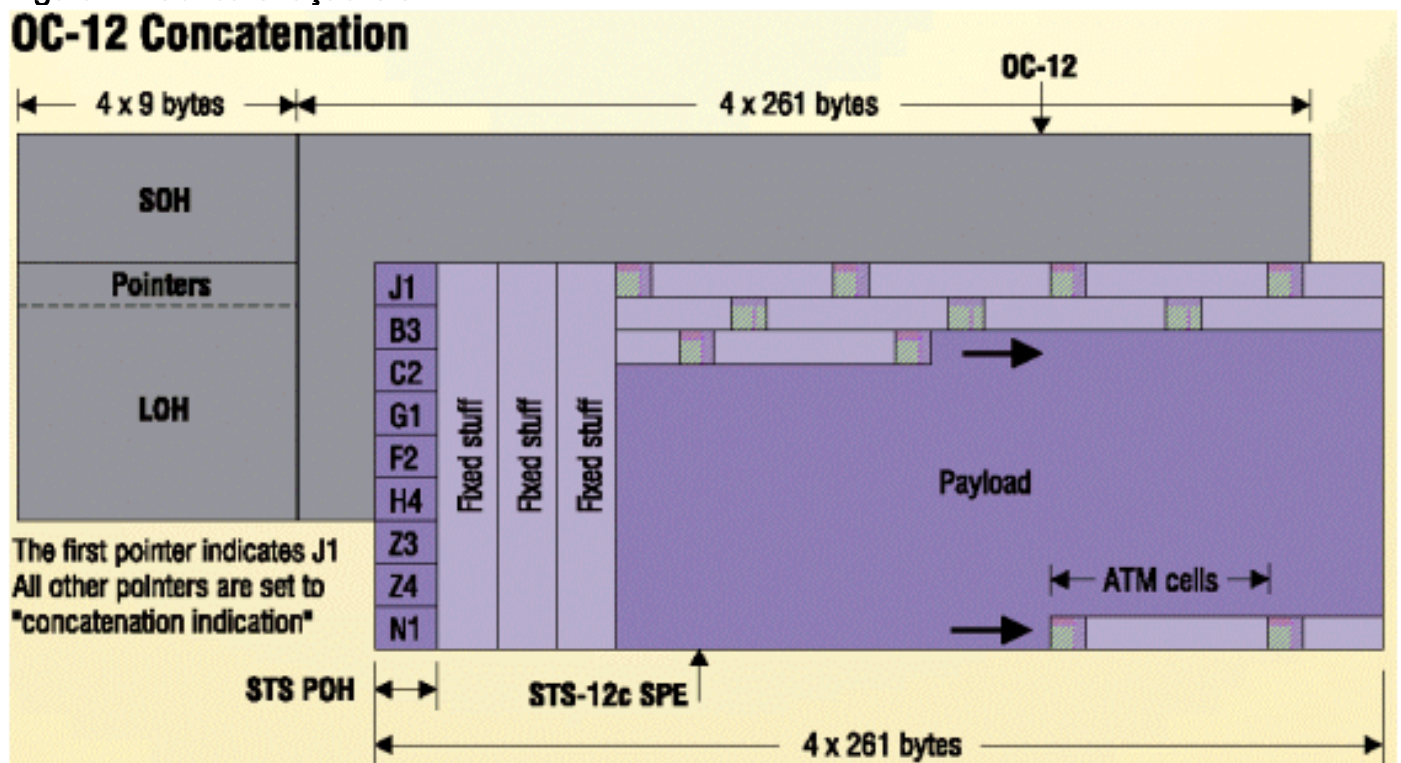
Figura 3: Transporte STS-1 e overhead de caminho



Concatenação OC-12

A [Figura 4](#) examina a concatenação OC-12.

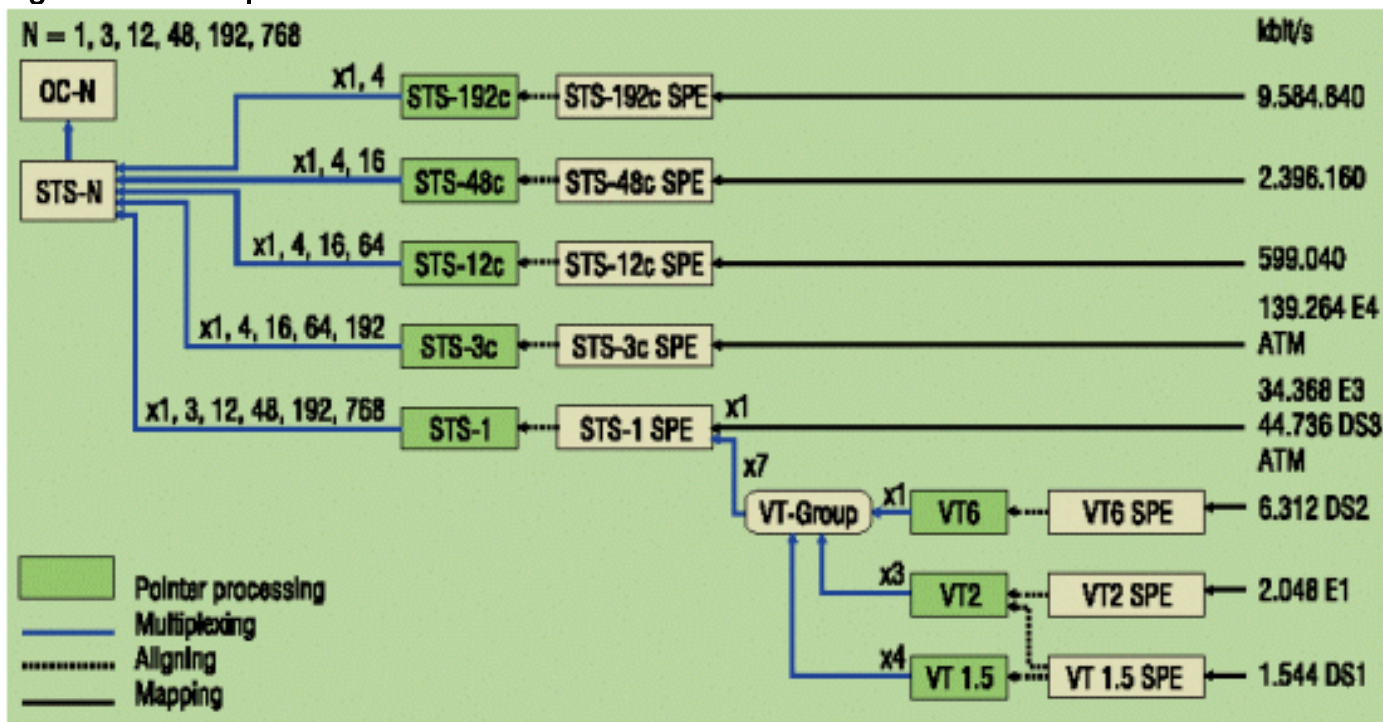
Figura 4 - Concatenação OC-12



Hierarquia SONET

A Figura 5 exibe a hierarquia SONET.

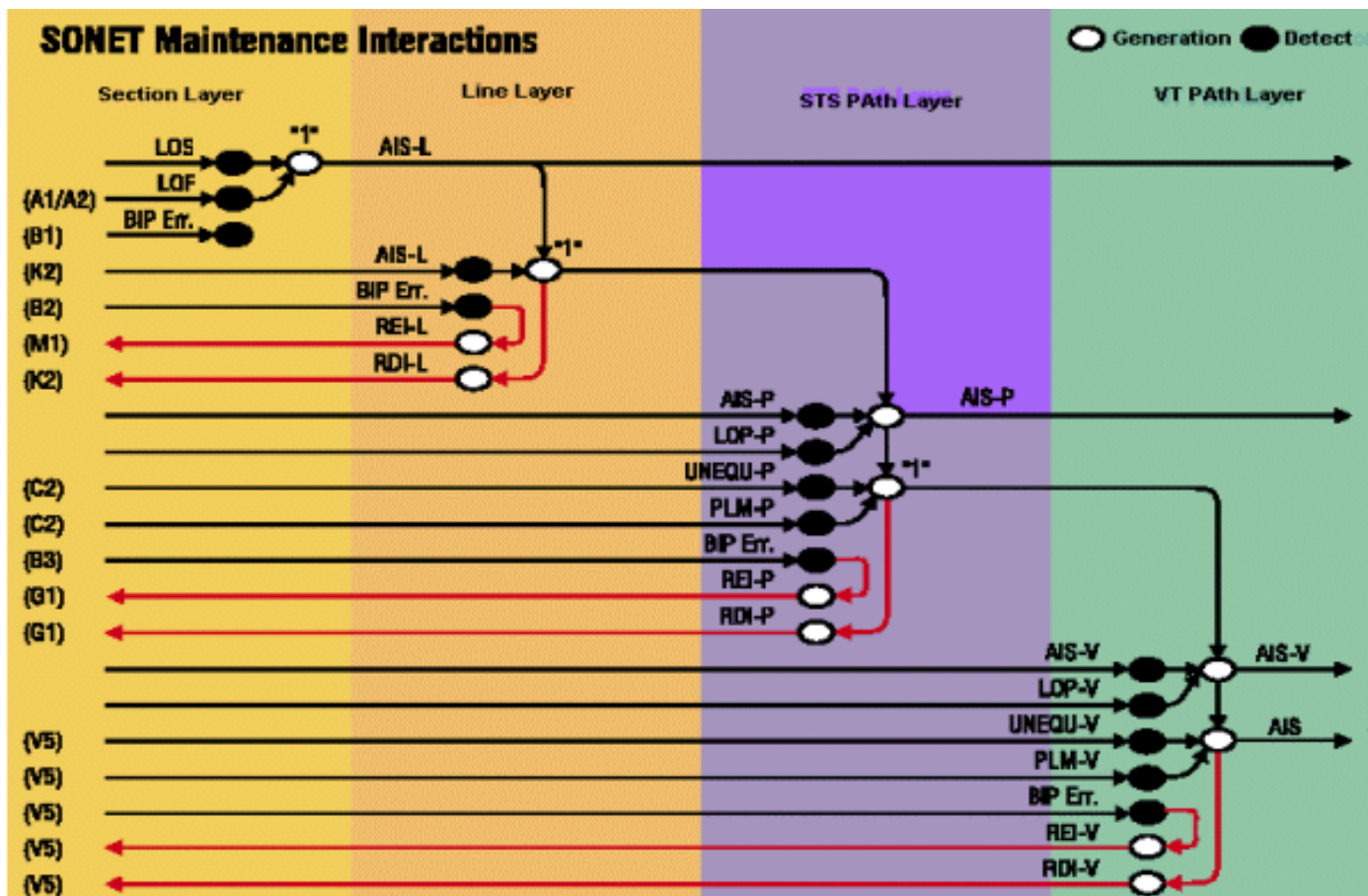
Figura 5 - Hierarquia SONET



Interações para manutenção do SONET

A Figura 6 mostra como as interações de manutenção SONET aparecem.

Figura 6: Interações de manutenção SONET



Alarmes e critérios de detecção

A [Tabela 1](#) lista o que os alarmes significam e seus critérios de detecção.

Tabela 1 - Significado dos alarmes e seus critérios de detecção

	Anomalies / Defects	Detection criteria	Bellcore ANSI
LOS	Loss of Signal	All-zero pattern for $2.3 \mu s \leq T \leq 100 \mu s$	GR-253 T1.231
SEF	Severely Error Framing	A1, A2 errored for $\geq 625 \mu s$	GR-253 T1.231
LOF	Loss of Frame	If SEF persists for $\geq 3 ms$	GR-253 T1.231
S-BIP Error	Section BIP Error (B1)	Mismatch of the recovered and computed BIP-8 covers the whole STS-N frame	GR-253 T1.105
L-BIP Error	Line BIP Error (B2)	Mismatch of the recovered and computed N x BIP-8 covers the whole frame, except section overhead	GR-253 T1.105
AIS-L	Line-AIS	K2 (bits 6, 7, 8) = 111 for ≥ 5 frames	GR-253 T1.231
REI-L	Line Remote Error Indication	Number of detected B2 errors in the sink side encoded in byte M0 or M1 of the source side	GR-253 T1.105
RDI-L	Line Remote Defect Indication	K2 (bits 6, 7, 8) = 110 for $\geq z$ frames ($z = 5 - 10$)	GR-253 T1.231
AIS-P	STS Path AIS	All "1" in the STS pointer bytes H1, H2 for ≥ 3 frames	GR-253 T1.231
LOP-P	STS Path Loss of Pointer	8 - 10 NDF enable 8 - 10 invalid pointers	GR-253 T1.231
P-BIP Error	STS Path BIP Error (B3)	Mismatch of the recovered and computed BIP-8 covers entire STS-SPE	GR-253 T1.105
UNEQ-P	STS Path Unequipped	C2 = "0" for ≥ 5 (≥ 3 as per T1.231) frames	GR-253 T1.231
TIM-P	STS Path Trace Identifier Mismatch	Mismatch of the accepted and expected Trace Identifier in byte J1 (64 bytes sequence)	GR-253 T1.105
REI-P	STS Path Remote Error Indication	Number of detected B3 errors in the sink side encoded in byte G1 (bits 1, 2, 3, 4) of the source side	GR-253 T1.105
RDI-P	STS Path Remote Defect Indication	G1 (bit 5) = 1 for ≥ 10 frames	GR-253 T1.231
PLM-P	STS Path Payload Label Mismatch	Mismatch of the accepted and expected Payload Label in byte C2 for ≥ 5 (≥ 3 as per T1.231) frames	GR-253 T1.231
LOM	Loss of Multiframe	Loss of synchronization on H4 (bits 7, 8) superframe sequence	GR-253 T1.105
AIS-V	VT Path AIS	All "1" in the VT pointer bytes V1, V2 for ≥ 3 superframes	GR-253 T1.231
LOP-V	VT Loss of Pointer	8 - 10 NDF enable 8 - 10 invalid pointers	GR-253 T1.231
V-BIP Error	VT Path BIP Error (BIP-2)	Mismatch of the recovered and computed BIP-2 (V5 bits 1, 2) covers entire VT	GR-253 T1.105
UNEQ-P	VT Path Unequipped	V5 (bits 5, 6, 7) = 000 for ≥ 5 (≥ 3 as per T1.231) superframes	GR-253 T1.231
TIM-V	VT Path Trace Identifier Mismatch	Mismatch of the accepted and expected Trace Identifier in byte J2	for further study
REI-V	VT Path Remote Error Indication	If one or more BIP-2 errors detected in the sink side, byte V5 (bits 3) = 1 on the source side	GR-253 T1.105
RDI-V	VT Path Remote Defect Indication	V5 (bit 8) = 1 for ≥ 10 superframes	GR-253 T1.231
PLM-V	VT Path Payload Label Mismatch	Mismatch of the accepted and expected Payload Label in byte V5 (bits 5, 6, 7) for ≥ 5 (≥ 3 as per T1.231) superframes	GR-253 T1.231

Bytes STS-1 SOH, LOH, POH e VT POH

A [Figura 7](#) e a [Figura 8](#) fornecem uma descrição de todos os bytes de STS-1 SOH, Line OverHead (LOH), Path OverHead (POH) e Virtual Tributary Path OverHead (VT POH).

Figura 7: Sobrecarga da seção SOH

SOH Section Overhead

A1, A2: Indicates the beginning of each STS-1 within a STS-n frame. The pattern is Hex F628.

J0: Section trace. It is defined only for STS-1 number 1 of an STS-N signal. Used to transmit a one byte fixed length string or a 16 byte message so that a receiving terminal in a section can verify its continued connection to the intended transmitter.

Z0: Section growth. It is defined in each STS-1 for future growth except for STS-1 number 1 (which is defined as J0).

B1: Section error monitoring. The BIP-8 is calculated over all bits of the previous STS-N frame after scrambling and is placed in the B1 byte of STS-1 number 1 before scrambling. Defined only for STS-1 number 1 of an STS-N signal.

E1: Allocated to be used as local orderwire channels for voice communication between section terminating equipments, hubs and remote terminal locations.

F1: Reserved for user purposes (e.g. temporary data/voice channel connections for special maintenance purposes).

D1 - D3: Data communication channels (DCC). A 192 kbit/s message based channel for alarms, maintenance, control, monitoring, administration and other communication needs.

Figura 8: Sobrecarga da linha LOH

