

Configure Nexus 9000 Unicast NLB

Contents

[Introduction](#)

[Prerequisites](#)

[Requirements](#)

[Components Used](#)

[Guidelines and Limitations](#)

[Configure](#)

[Network Diagram](#)

[N9396-1 Configuration Example](#)

[N9396-2 Configuration Example](#)

[Verify](#)

[Troubleshoot](#)

[Design Considerations](#)

Introduction

This document describes the configuration that must be enabled on the server in order to ensure Unicast Microsoft Network Load Balancing (NLB) mode operates correctly on Nexus 9000 Series switches. Per the [Nexus 9000 Series NX-OS Multicast Routing Configuration Guide](#), multicast mode NLB is not supported on this platform when the device is responsible for routing traffic into the NLB cluster VLAN until NX-OS Software Release 9.2(1).

Prerequisites

In order to ensure a successful configuration:

- Unicast NLB mode must be configured on the server appropriately.
- The virtual Port-channel (vPC) configuration on the switches must be in place if this configuration is deployed in the same manner as depicted in the Network Diagram section of this configuration example.
- The appropriate VLANs and Layer 3 (L3) interfaces must be present.

Requirements

Cisco recommends that you have knowledge of these topics:

- Nexus Operating System (NX-OS)
- Microsoft NLB
- Routing
- Switching
- vPC

Components Used

The information in this document is based on these software and hardware versions:

- Nexus 9000-C9396PX
- Cisco NX-OS Version 7.0(3)I1(1a)

The information in this document was created from the devices in a specific lab environment. All of the devices used in this document started with a cleared (default) configuration. If your network is live, make sure that you understand the potential impact of any command.

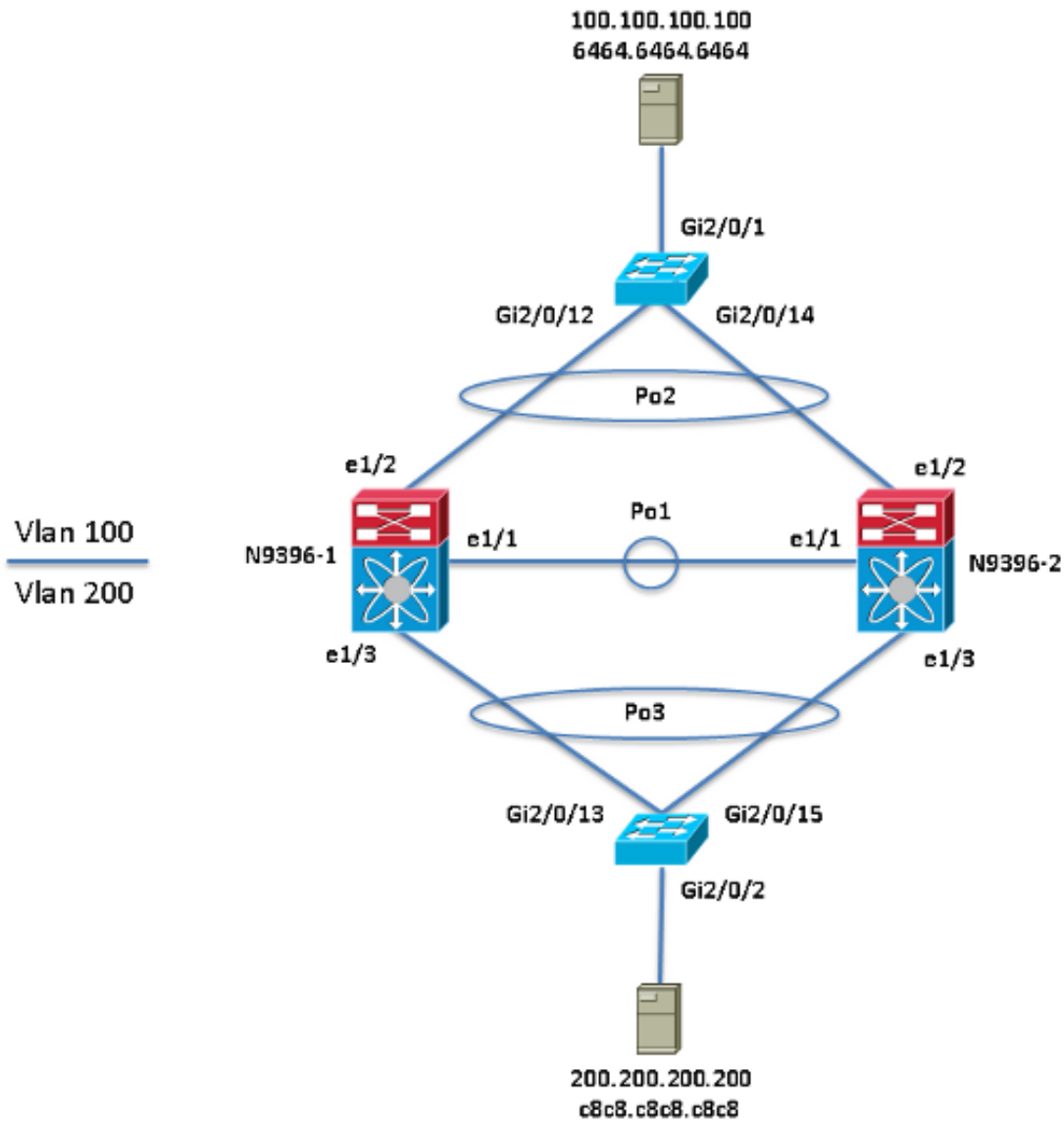
Guidelines and Limitations

The use of a static MAC address table entry for the NLB Virtual MAC Address is required on all Nexus 9000 Series switches.

Configure

Network Diagram

This network diagram shows NLB deployed in unicast mode. The NLB virtual IP (VIP) is 200.200.200.200 and virtual MAC (VMAC) is c8c8.c8c8.c8c8.



N9396-1 Configuration Example

```
interface Vlan200
ip arp 200.200.200.200 C8C8.C8C8.C8C8

mac address-table static c8c8.c8c8.c8c8 vlan 200 interface port-channel3
```

N9396-2 Configuration Example

```
interface Vlan200
ip arp 200.200.200.200 C8C8.C8C8.C8C8

mac address-table static c8c8.c8c8.c8c8 vlan 200 interface port-channel3
```

Verify

Use this section in order to confirm that your configuration works properly.

- show ip arp [NLB_VIP]
- show mac address-table address [NLB_VMAC]

N9396-1

- The ability to adapt to a change in the physical location of the NLB cluster members, due to vMotion, is not possible without an appropriate design.

À propos de cette traduction

Cisco a traduit ce document en traduction automatisée vérifiée par une personne dans le cadre d'un service mondial permettant à nos utilisateurs d'obtenir le contenu d'assistance dans leur propre langue.

Il convient cependant de noter que même la meilleure traduction automatisée ne sera pas aussi précise que celle fournie par un traducteur professionnel.