



# Installing the Cisco ASR 901 Mobile Wireless Router

This chapter describes how to install the Cisco ASR 901 router, and how to connect it to networks and external devices. These are the following sections:

- [Network Modules, page 3-1](#)
- [Mounting the Cisco ASR 901 Router, page 3-2](#)
- [Connecting the Chassis Ground and Power, page 3-5](#)
- [Installing and Removing SFP Modules, page 3-9](#)
- [Connecting Cables, page 3-11](#)
- [Powering On the Router, page 3-15](#)



**Warning**

---

**Only trained and qualified personnel should be allowed to install, replace, or service this equipment.**  
Statement 1030

---



**Warning**

---

**This unit is intended for installation in restricted access areas. A restricted access area can be accessed only through the use of a special tool, lock and key, or other means of security.**  
Statement 1017

---

## Network Modules

You can order the Cisco ASR 901 router with the following interface modules.

- T1/E1 interface module
- SFP Ethernet interface module
- RJ-45 Ethernet interface module

Interface modules are installed and shipped with the router; they are not field replaceable.

# Mounting the Cisco ASR 901 Router



## Note

The Cisco ASR 901 Router is qualified only for horizontal orientation. You should use additional safety measures for vertical orientation.

Each Cisco ASR 901 router includes rack-mounting brackets. Using the rack-mounting brackets, you can front-mount the Cisco ASR 901 router in a 19-inch (48.3-cm) equipment rack that conforms to the EIA-310-D specification (the inside width of the rack should be 17.72 to 17.80 inches [45 to 45.21 cm]).

Using the two rack-mounting brackets for mounting (part number 700-33522-01), you can recess Cisco ASR 901 router in the equipment rack. This arrangement provides extra space in front of the router for the cables and allows you to close the doors of racks equipped with front-close doors.

If you need to attach or replace the rack-mounting brackets, see the [“Attaching the Rack-Mounting Brackets” section on page 3-3](#).

The rack-mounting brackets are slotted to allow the router to be mounted in racks with EIA 1.25-inch (3.175-cm) or WECCO 1.0-inch (2.54-cm) hole spacing. When installed in the rack, the Cisco ASR 901 router requires one EIA 1.75-inch (4.4-cm) vertical mounting space (or 1 rack unit [RU]) for mounting (see the [“Mounting the Cisco ASR 901 Router in a Rack” section on page 3-3](#)).



## Caution

Allow clearance on either side of the Cisco ASR 901 router for cooling air to be drawn in through the left side and circulated through the chassis and out the two fan exhaust ports mounted on the other side of the chassis.

## Rack-Mounting Configuration Guidelines

Follow these guidelines to configure the equipment rack:

- When mounting the router to an equipment rack, ensure that the rack is bolted to the floor.
- Because you may install more than one router into the rack, ensure that the weight of all of the routers installed does not make the rack unstable.



## Caution

Some equipment racks are also secured to ceiling brackets, if necessary, due to the weight of the equipment in the rack. Make sure that the rack you are using to install the routers is secured to the building structure.

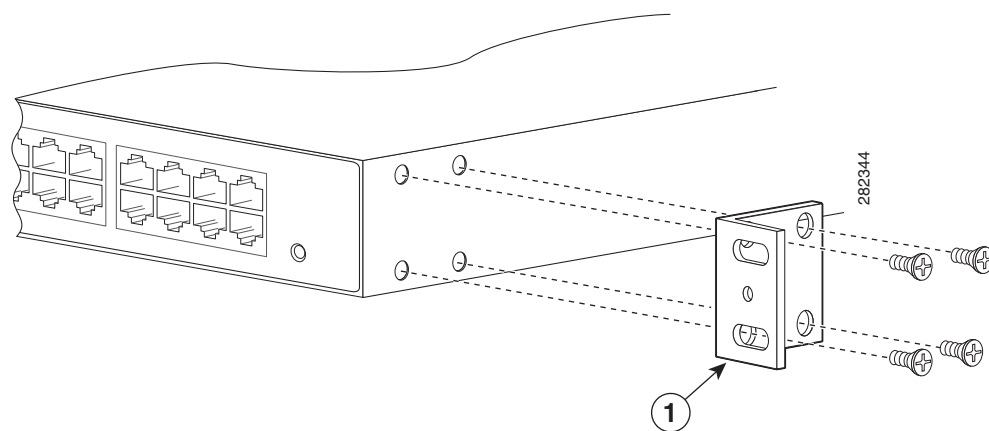
- As mentioned in the [“Air Flow Guidelines” section on page 2-5](#), maintain a 6-inch (15.24-cm) clearance on each side of the router to ensure adequate air intake and exhaust.
- Avoid installing the routers in an overly congested rack. Air flowing to or from other routers in the rack might interfere with the normal flow of cooling air through the routers, increasing the potential for overtemperature conditions within the routers.
- Allow at least 19 inches (48.7 cm) of clearance at the front and rear of the rack for router maintenance.
- Follow your local practices for cable management. Ensure that cables to and from the routers do not impede access to perform equipment maintenance or upgrades.

## Attaching the Rack-Mounting Brackets

Complete the following tasks to install, replace, or rearrange the rack-mounting brackets so you can then mount the Cisco ASR 901 router in a 19-inch (48.3-cm) equipment rack. You can use the same rack-mounting brackets to front-mount the Cisco ASR 901 router in the equipment rack.

- Step 1** Locate the mounting holes of the Cisco ASR 901 router.
- Step 2** Align the rack-mounting bracket with the Cisco ASR 901 router and position with the four #6-32 x 0.25-inch screws (provided) (see [Figure 3-1](#) for front-mounting).

**Figure 3-1 Attaching the Bracket for Front-Mounting**



<b>1</b>	Rack mount bracket
----------	--------------------

- Step 3** Insert the screws (four places) and tighten using a Number 2 Phillips screwdriver.
- Step 4** Repeat Steps 2 and 3 for the other rack-mounting bracket.

Proceed to the next section, “[Mounting the Cisco ASR 901 Router in a Rack](#)” to continue the installation.

## Mounting the Cisco ASR 901 Router in a Rack

Typically, the Cisco ASR 901 router mounts to a 19-inch (48.3-cm) 2-post equipment rack with rack-mounting brackets that attach toward the front of the router sides. The inside width between the two posts or mounting strips (left and right) must be at least 17.72 to 17.80 inches [45 to 45.21 cm]. For more information about the equipment rack, see “[Hardware Description](#)” section on page 1-1.

No vertical clearance is necessary above or below the router when it is mounted in the rack.

To secure the Cisco ASR 901 router to the equipment rack, you must use the two mounting screws (provided) for each side or follow your local practices for installing the router into your equipment rack. Ensure that the rack-mount brackets are securely fastened. For more information, see the “[Attaching the](#)

[Rack-Mounting Brackets” section on page 3-3.](#)

To mount the Cisco ASR 901 router into the equipment rack, perform the following procedure.

**Caution**

To prevent injury, review the [“Safety Guidelines” section on page 2-1](#) and the [“Rack-Mounting Configuration Guidelines” section on page 3-2](#) before installing the Cisco ASR 901 router in the equipment rack.

- 
- Step 1** Locate the equipment rack position where you plan to install the router.
- Step 2** Verify that there are no obstructions and ensure that the equipment rack is stabilized.
- Step 3** Position the router in the equipment rack lining up the bracket holes on the router with the holes on the rack and secure with four #6-32 x 0.25-inch mounting screws (two on each side).

**Note**

The vertical spacing for EIA equipment racks is 1.75 inches (4.44 cm), with mounting holes spaced 1.5 inches (3.81 cm) apart.

- 
- Step 4** Tighten the screws using a 1/4-inch flat-blade screwdriver (each side).
- 

## Attaching the Cable Guides

Complete the following steps to attach the two cable guides to the front of the mounting brackets. This procedure is optional.

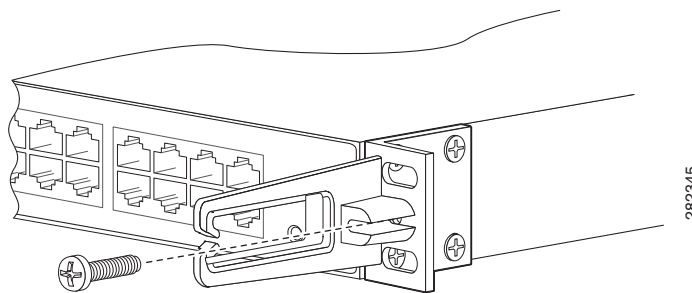
**Note**

The cable guides are useful only if your router is front-mounted. Do not attach the cable guides if your router is center-mounted or recess-mounted.

Use the cable guides to dress the cables that attach to the front of the Cisco ASR 901 router. The cable guides allow you to gather the cables and direct them to the left and right sides of the router. This helps to keep the cables from obscuring the fronts of lower routers in the same rack.

- 
- Step 1** In the accessory kit, locate the two cable guides (part number 700-01663-01) and two M4.0x20mm Phillips screws used to attach the cable guides (part number 48-0654-01).
- Step 2** Position the cable guide over the threaded hole in the front flange of either the left or right mounting bracket. The threaded hole is located midway between the two slotted holes used to mount the unit to the rack.

**Figure 3-2 Attaching the Cable Guide**



**Step 3** Use an M4.0x20mm Phillips screw to fix the cable guide to the mounting bracket. Do not over-tighten the screw.

**Step 4** Repeat Steps 2 and 3 to attach the other cable guide.



**Note**

If you find it awkward to insert the screw while holding the cable guide in place, you can first insert the screw only far enough so that it does not fall out. Then, using the slot in the mounting pillar of the cable guide, slide the cable guide into place around the screw. Finally, tighten the screw to fix the cable guide to the mounting bracket.

## Connecting the Chassis Ground and Power

Before you connect power or turn on power to the Cisco ASR 901 router, you must provide an adequate chassis ground (earth) connection to your router.

## Grounding the Cisco ASR 901 Router

The Cisco ASR 901 router provides a grounding point on the rear of the unit for a 2-hole lug.

To ensure the chassis ground connection that you provide is adequate, you need the following parts and tools:

- Ratcheting torque screwdriver with Phillips head that exerts up to 15 pound-force inches (lbf-in) of pressure for attaching the ground wire to the router.
- Crimping tool as specified by the ground lug manufacturer
- 16-AWG copper wire for the power cord
- Wire-stripping tools appropriate to the wire you are using



**Caution**

Before making connections to the Cisco ASR 901 router, ensure that you disconnect the power at the circuit breaker. Otherwise it may result in severe injury or damage to the router.

**Warning**

**This equipment must be grounded. Never defeat the ground conductor or operate the equipment in the absence of a suitably installed ground conductor. Contact the appropriate electrical inspection authority or an electrician if you are uncertain that suitable grounding is available.** Statement 1024

**Warning**

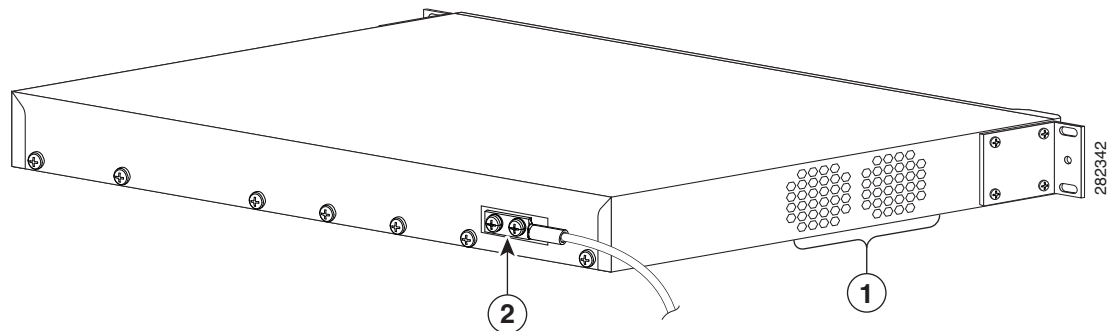
**Use copper conductors only.** Statement 1025

**Warning**

**When installing the unit, the ground connection must always be made first and disconnected last.** Statement 42

Figure 3-3 shows the grounding point marked on the rear panel of the Cisco ASR 901 router for ease of installation

**Figure 3-3**      **Grounding Point**

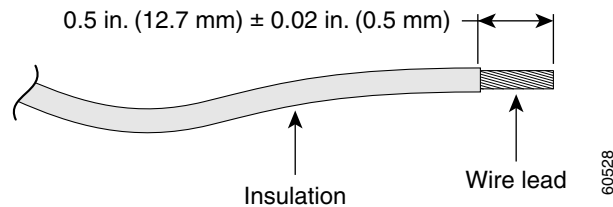


<b>1</b>	Fan
<b>2</b>	Grounding Point Lug

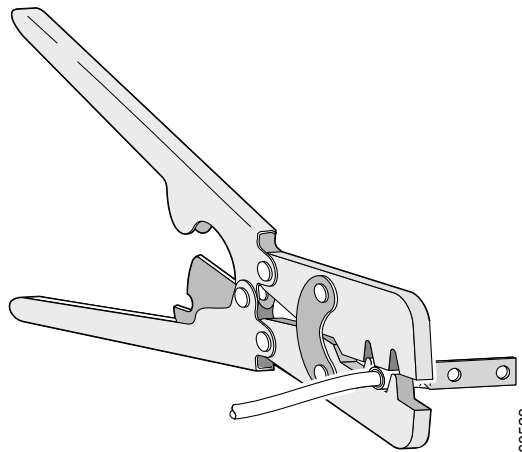
This unit is to be installed in a restrictive access location and must be permanently grounded to minimum 6-AWG copper ground wire.

Complete the following steps to ground the Cisco ASR 901 router using a 2-hole lug and the corresponding mounting point. Most carriers require a 6-AWG ground connection. Verify your carrier's requirements for the ground connection.

- 
- Step 1** In the accessory kit, locate the 2-hole lug, 2 pan-head Phillips head screws used to attach the lug to the router, and 6-AWG ground wire. (Lug, screws, and wire are part number 32-0629-01.)
- Step 2** Set the parts aside.
- Step 3** If your ground wire is insulated, use a wire-stripping tool to strip the ground wire to 0.5 inch  $\pm$  0.02 inch (12.7 mm  $\pm$  0.5 mm) for the ring terminal (Figure 3-4).

**Figure 3-4 Stripping a Ground Wire**

- Step 4** Slide the open end of your ground lug over the exposed area of the ground wire.
- Step 5** Using a crimping tool (as specified by the ground lug manufacturer), crimp the ground lug to the ground wire (Figure 3-5).

**Figure 3-5 Crimping a Ground Lug onto the Ground Wire**

- Step 6** Use a Phillips head screwdriver to attach the ground lug and wire assembly to the front of the router with the 2 screws from the accessory kit.
- Step 7** Connect the other end of the ground wire to a suitable grounding point at your site.

## Power Connection Compliance

**Warning**

**Before performing any of the following procedures, ensure that power is removed from the DC circuit.** Statement 1003

**Warning**

**Use copper conductors only.** Statement 1025

**Note**

The installation must comply with the 2002 National Electric Code (NEC) and other applicable codes.

## Wiring the DC-Input Power Source



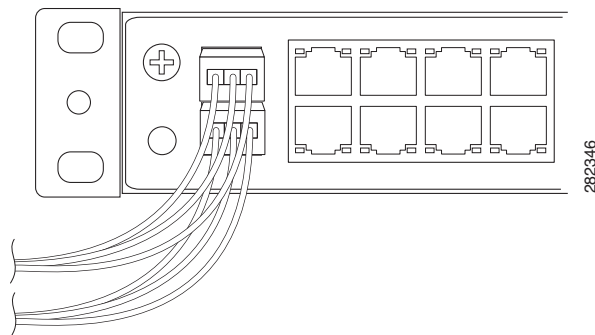
### Warning

**This product relies on the building's installation for short-circuit (overcurrent) protection. Ensure that the protective device is rated not greater than 10 A minimum, 60 VDC.** Statement 1005

Complete the following steps to connect the DC power supply to the Cisco ASR 901 router:

- Step 1** Switch off the DC power source at the circuit breaker, and place the circuit breaker in the Off position.
- Step 2** Locate the 6-pin terminal block (part number 27-2030-01) (Figure 3-6). The terminal block is located in the accessory kit (part number 53-3085-01 for the Cisco ASR 901 router), which is shipped with the router.

**Figure 3-6 6-Pin Terminal Block**



- Step 3** Plug the 6-pin terminal block into the power connector located on the front side of the router.
- Step 4** Connect one end of the customer-supplied power cord (16-AWG copper wire) to the site DC power source.
- Step 5** Plug the connector on the power supply cord into the 6-pin terminal block that you plugged into the rear of the router in Step 3.



### Warning

**An exposed wire lead from a DC-input power source can conduct harmful levels of electricity. Be sure that no exposed portion of the DC-input power source wire extends from the terminal block plug.** Statement 122



### Warning

**When installing this unit, secure all power cabling to avoid disturbing field-wiring connections.** Statement 38



### Caution

**DO NOT** power on the unit yet.



# Installing and Removing SFP Modules

This section describes how to install and remove SFP modules. The modules are inserted into the SFP module slots on the front of the Cisco ASR 901 router. These field-replaceable modules provide interfaces.

See the *Release Notes for Cisco ASR 901 Series Aggregation Services Router* for the list of supported SFP modules. Each port must match the wavelength specifications on the other end of the cable. For reliable communications, the cable must not exceed 328 feet (100 meters).

For detailed instructions on installing, removing, and cabling the SFP module, see the SFP module documentation.

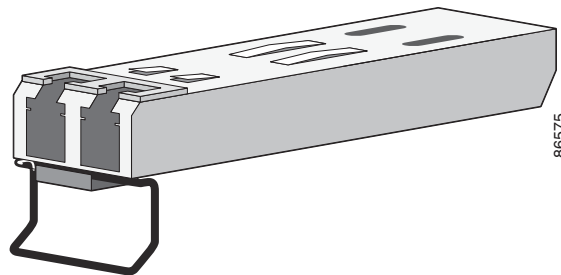
## Installing SFP Modules

Figure 3-7 shows an SFP module that has a bale-clasp latch.

**Caution**

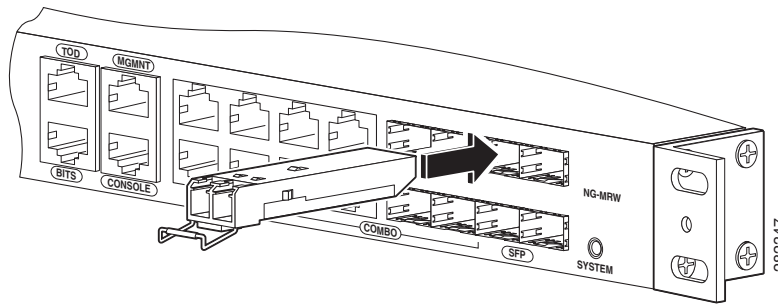
We strongly recommend that you do not install or remove fiber-optic SFP modules with cables attached because of the potential damage to the cables, the cable connector, or the optical interfaces in the SFP module. Disconnect all cables before removing or installing an SFP module. Removing and installing an SFP module can shorten its useful life. Do not remove and insert SFP modules more often than is absolutely necessary.

**Figure 3-7** SFP Module with a Bale-Clasp Latch



Complete the following steps to insert an SFP module into the module slot:

- Step 1** Attach an ESD-preventive wrist strap to your wrist and to a bare metal surface on the chassis. Some SFP modules identify the top side of the module with transmit (TX) and receive (RX) markings or arrows that show the direction of the connection.
- Step 2** If the SFP module that you are using has the markings, use them to identify the top side of the module.
- Step 3** Align the SFP module in front of the slot opening.
- Step 4** Insert the SFP module into the slot until you feel the connector on the module snap into place in the rear of the slot (see Figure 3-8).

**Figure 3-8** Installing an SFP Module into an SFP Module Slot

**Step 5** For fiber-optic SFP modules, remove the dust plugs from the optical ports, and store them for later use.

**Caution**

Do not remove the dust plugs from the fiber-optic SFP module port or the rubber caps from the fiber-optic cable until you are ready to connect the cable. The plugs and caps protect the SFP module ports and cables from contamination and ambient light.

**Step 6** Insert the cable connector into the SFP module:

- For fiber-optic SFP modules, insert the line card or MT-RJ cable connector into the SFP module.
- For copper 1000BASE-T SFP modules, insert the RJ-45 cable connector into the SFP module.

## Removing SFP Modules

Complete the following steps to remove an SFP module from a module receptacle:

**Step 1** Attach an ESD-preventive wrist strap to your wrist and to a bare metal surface on the chassis.

**Step 2** Disconnect the cable from the SFP module, and insert a dust plug into the cable end.

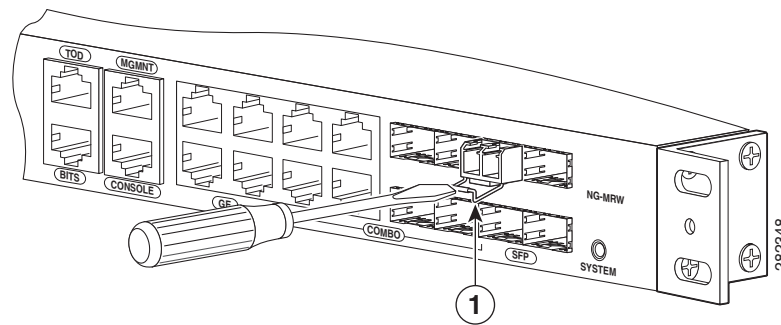
**Tip**

For reattachment, note which cable connector plug is transmit (TX) and which is receive (RX).

**Step 3** Unlock and remove the SFP module, as shown in [Figure 3-9](#).

If the module has a bale-clasp latch, pull the bale out and down to eject the module. If the bale-clasp latch is obstructed and you cannot use your index finger to open it, use a small, flat-blade screwdriver or other long, narrow instrument to open the bale-clasp latch.

**Figure 3-9** Removing a Bale-Clasp Latch SFP Module by Using a Flat-Blade Screwdriver



<b>1</b>	Bale Clasp
----------	------------

- Step 4** Grasp the SFP module between your thumb and index finger, and carefully remove it from the module slot.
- Step 5** For fiber-optic SFP modules, insert a dust plug into the optical ports of the SFP module to keep the optical interfaces clean.
- Step 6** Place the removed SFP module in an antistatic bag or other protective environment.

## Connecting Cables

This section describes how to connect the Cisco ASR 901 router to external devices and networks. It includes the following sections:

- [Connecting the Console Port, page 3-11](#)
- [Connecting the Network Cables, page 3-13](#)
- [Dressing Router Cables, page 3-15](#)

## Connecting the Console Port



### Warning

**Do not work on the system or connect or disconnect cables during periods of lightning activity.**  
Statement 1001

The Cisco ASR 901 router has a single console port that can function in DTE mode:

- DTE-mode console (terminal) port for connecting a console terminal



### Note

The console port functions are asynchronous serial ports; any devices connected to the console port must be cabled for asynchronous transmission. (Asynchronous is the most common type of serial device; for example, most modems are asynchronous devices.)

The Cisco ASR 901 router uses RJ-45 ports for console port function.

We provide the following cables and adapters for connecting the Cisco ASR 901 router to a console terminal:

- One console adapter cable (RJ-45-to-DB-9, blue)

## Types of RJ-45 Cables

Cisco products use the following three types of RJ-45 cables:

- Straight-through
- Crossover
- Rolled (or Rollover)

The Cisco ASR 901 router ships with and uses the rollover cable. For instructions on how to identify a rollover cable, see [Identifying a Rollover Cable, page B-5](#).

## Console Port

Complete the following steps to connect a terminal or a PC running terminal emulation software to the console port on the router:

- Step 1** Connect the terminal using an RJ-45 rollover cable and an RJ-45-to-DB-25 or RJ-45-to-DB-9 adapter (labeled TERMINAL) to the console port. For cable pinouts, see the [“Console Port Signals and Pinouts” section on page B-4](#).



**Note** The RJ-45-to-DB-25 adapter (Cisco part number 29-0810-01) can be purchased from Cisco Systems.

- Step 2** Configure the terminal or terminal emulation software for 9600 baud, 8 data bits, no parity, and 2 stop bits.



**Note** Hardware flow control is not possible on the console port.

## Connecting the Network Cables

This section describes how to connect the following router interfaces:

- [Connecting Gigabit Ethernet Interface Cables, page 3-13](#)
- [Connecting T1 and E1 Interface Cables, page 3-13](#)
- [Connecting SFP Cables, page 3-14](#)
- [Connecting Cables to the BITS Interface, page 3-14](#)
- [Connecting GPS Cables, page 3-14](#)
- [Connecting GPS Cables, page 3-14](#)
- [Connecting to the Management Ethernet Port, page 3-15](#)

### Connecting Gigabit Ethernet Interface Cables

The RJ-45 port supports standard straight-through and crossover Category 5 unshielded twisted-pair (UTP) cables. Cisco Systems does not supply Category 5 UTP cables; these cables are available commercially.

Complete the following steps to connect the cable to the router Gigabit Ethernet port:

- 
- |               |   |
|---------------|---|
| <b>Step 1</b> | Confirm that the router is powered off.                                   |
| <b>Step 2</b> | Connect one end of the cable to the GE port on the router.                |
| <b>Step 3</b> | Connect the other end to the BTS patch or demarcation panel at your site. |
- 

For more information about Gigabit Ethernet connectors including pinouts, see [“Gigabit Ethernet Connector Pinouts” section on page B-1](#)

### Connecting T1 and E1 Interface Cables

Complete the following steps to connect the cable to a router T1/E1 port:



**Note** You must close the relays on the card using the standalone subcommand. For more information, see the Cisco ASR 901 Mobile Wireless Router Software Configuration Guide.

---

- |               |   |
|---------------|---|
| <b>Step 1</b> | Confirm that the router is powered off.   |
| <b>Step 2</b> | Connect one end of the cable to the T1 or E1 (RJ-48C) port. Use a T1/E1 cable.                                    |
| <b>Step 3</b> | Connect the other end to the BTS patch or demarcation panel at your site.   |
| <b>Step 4</b> | Turn on power to the router (see <a href="#">“Powering On the Router” section on page 3-15</a> for more details). |
- 

For more information about T1/E1 connectors including pinouts, see [“T1/E1 Port Pinouts” section on page B-2](#).

## Connecting SFP Cables

Complete these steps to connect the cable to a router SFP port.

- 
- Step 1** Confirm that the router is powered off.
  - Step 2** Insert the SFP module patch cable into the slot until you feel the connector on the cable snap into place in the rear of the slot.
  - Step 3** Connect the other end to the patch or demarcation panel at your site.
  - Step 4** Turn on power to the router (see [“Powering On the Router”](#) section on page 3-15 for more details).
- 

For more information about SFP connectors, see [“SFP Port Pinouts and Cable Specifications”](#) section on page B-2.

## Connecting Cables to the BITS Interface

Complete these steps to connect the cable to the router BITS port:

- 
- Step 1** Confirm that the router is powered off.
  - Step 2** Connect one end of the cable to the BITS port using a T1/E1 cable.
  - Step 3** Connect the other end to the SETS unit.
  - Step 4** Turn on power to the router (see [“Powering On the Router”](#) section on page 3-15 for more details).
- 

For more information about T1/E1 connectors including pinouts, see [“BITS Port Pinouts”](#) section on page B-6.

## Connecting GPS Cables

The following sections describe how to connect cables from the Cisco ASR 901 router to a GPS unit for input or output timing or frequency.

- [Connecting Cables to the 10Mhz or 1PPS Interface](#)
- [Connecting Cables to the ToD Interface](#)

### Connecting Cables to the 10Mhz or 1PPS Interface

Complete these steps to connect cables to the 10Mhz or 1PPS interface:

- 
- Step 1** Confirm that the router is powered off.
  - Step 2** Connect one end of a mini-coax cable to the GPS unit.
  - Step 3** Connect the other end of the mini-coax cable to the 10Mhz or 1PPS port on the Cisco ASR 901 router.
- For instructions on how to configure clocking, see the Cisco ASR 901 *Mobile Wireless Router Software Configuration Guide*.
-

For more information about 10Mhz and 1PPS port pinouts, see [“GPS Port Pinouts” section on page B-7](#).

### Connecting Cables to the ToD Interface

Complete these steps to connect cables to the ToD interface for GPS timing.

- 
- Step 1** Confirm that the router is powered off.
  - Step 2** Connect one end of a straight-through Ethernet cable to the GPS unit.
  - Step 3** Connect the other end of the cable to the ToD port on the Cisco ASR 901 router.  
For instructions on how to configure clocking, see the *Cisco ASR 901 Router Software Configuration Guide*.



---

**Note** For more information about BITS port pinouts, see [“Time of Day Pinouts” section on page B-6](#).

---

### Connecting to Alarm Port

Use a straight cable to connect to the alarm port. For details on the pinouts, see [“Alarm Port Pinouts” section on page B-8](#).

### Connecting to the Management Ethernet Port

Use a straight or a cross over ethernet cable to connect to the management ethernet port. For details on the pinouts, see [“Management Ethernet Port Pinouts” section on page B-9](#).

### Dressing Router Cables

Ensure all Cisco router cables are properly dressed so as not to interfere with each other or other pieces of equipment. Use local practices to ensure that the cables attached to your router are properly dressed.



---

**Note** If your Cisco ASR 901 router is front-mounted, you can use the cable guide (found in the accessory kit) to dress the cables.

---

To continue the installation, proceed to the next section, [“Powering On the Router.”](#)

## Powering On the Router



**Warning**

---

**Do not touch the power supply when the power cord is connected. For systems with a power switch, line voltages are present within the power supply even when the power switch is off and the power cord is connected. For systems without a power switch, line voltages are present within the power supply when the power cord is connected.** Statement 4

---

**Warning**

**This equipment is intended to be grounded. Ensure that the host is connected to earth ground during normal use.** Statement 39

## Checklist for Power Up

Complete these steps to power on the Cisco ASR 901 router:

- Securely mount the router.
- Properly connect the power, network, and interface cables.

## Interpreting Front-Panel LEDs

The Cisco ASR 901 router provides a number of LEDs on the front panel to monitor conditions and to aid in troubleshooting problems. For a description of the LEDs, see the [“Reading the LEDs” section on page A-4](#).

## Power-On Procedure

Complete these steps to power on the Cisco ASR 901 router and verify its initialization and self-test:

- 
- Step 1** Remove the tape from the circuit breaker switch handle.
- Step 2** Restore power by moving the handle of the circuit breaker to the ON position.
- The LED (labeled POWER) on the front panel should go ON and the fans operate.
- Depending on your installation, other front-panel LEDs can also come on.

**Note**

When the Cisco ASR 901 1G router (DC unit) is powered ON, it takes about 30 seconds for the system LED to turn ON.

**Note**

If you encounter problems when you power on the router, see [Appendix A, “Troubleshooting”](#).

## Formatting Procedures for Flash Memory

We recommend that you erase (Class B) to initialize with a Class B Flash file system. The Class B Flash file system is also known as the low end file system (LEFS).

### Formatting Flash Memory as a DOS File System

To format the flash memory, or to remove the files from it, use the **erase flash:** command.







```

Router# more flash:ngmwr-advipservicesk9-mz

00000000: 7F454C46 01020100 00000000 00000000 .ELF ....
00000010: 00020061 00000001 80008000 00000034 ...a ....4
00000020: 00000054 20000001 00340020 00010028 ...T ...4... (
00000030: 00050008 00000001 0000011C 80008000 ....
00000040: 80008000 00628A44 00650EEC 00000007 .... .b.D .e.l ....
00000050: 0000011C 0000001B 00000001 00000006 ....
00000060: 80008000 0000011C 00004000 00000000 .... @.
00000070: 00000000 00000008 00000000 00000021 .... !
00000080: 00000001 00000002 8000C000 0000411C .... @. .A.
00000090: 00000700 00000000 00000000 00000004 ....
000000A0: 00000000 00000029 00000001 00000003 .... )
000000B0: 8000C700 0000481C 00000380 00000000 ..G. .H.
000000C0: 00000000 00000004 00000000 0000002F .... /
000000D0: 00000001 10000003 8000CA80 00004B9C .... .J. .K.
000000E0: 00000020 00000000 00000000 00000008 ...
000000F0: 00000000 0000002F 00000001 10000003 .... /
00000100: 8000CAA0 00004BBC 00623FA4 00000000 ..J ..K< .b?$ ...
00000110: 00000000 00000008 00000000 3C1C8001 ... <... <...
00000120: 679C4A80 3C018001 AC3DC70C 3C018001 g.J. <... ,=G. <...
00000130: AC3FC710 3C018001 AC24C714 3C018001 ,?G. <... ,&G. <...
00000140: AC25C718 3C018001 AC26C71C 3C018001 ,%G. <... ,&G. <...
00000150: AC27C720 3C018001 AC30C724 3C018001 ,'G <... ,0G$ <...
00000160: AC31C728 3C018001 AC32C72C 3C018001 ,1G( <... ,2G, <...
--More-- q

```

## Enter a Directory and Determine the Current Directory

To enter a directory in the flash memory, use the **cd flash:/directory-name** command. To determine which directory you are in, use the **pwd** command.

The following example shows output for the following actions:

- Entering the home directory of a flash memory card (flash:/)
- Verifying that you are in the flash:/ directory

```
Router# cd flash:
```

```
Router# pwd
```

```
flash:/
```

## What to Do After Installing the Hardware

After you install the router hardware, refer to the *Cisco ASR 901 Series Aggregation Services Router Software Configuration Guide* for the software configuration information.

