



Technical Specifications

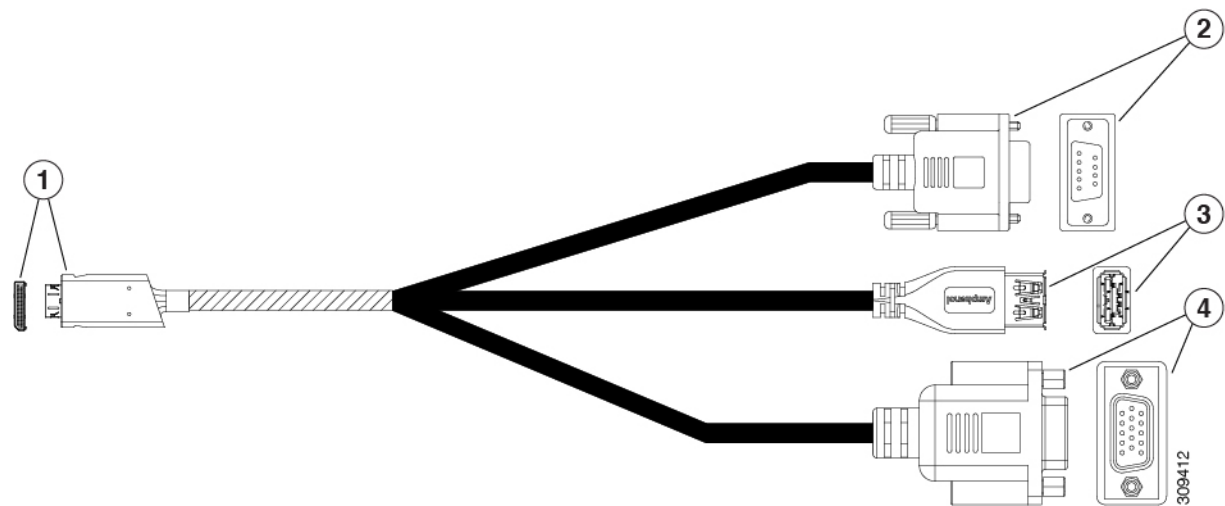
This appendix lists the technical specifications for the Cisco UCS X9508 server chassis.

- [KVM Cable, on page 1](#)
- [Chassis Specifications, on page 2](#)
- [Environmental Specifications, on page 4](#)
- [Specifications for the Cisco UCS X9508 Chassis Power Supply Units, on page 5](#)
- [Supported AC Power Cords and Plugs, on page 5](#)

KVM Cable

The KVM cable (UCSX-C-DEBUGCBL) provides a connection into a Cisco UCS compute node, providing a DB-9 serial connector, a DB-15 connector, and a USB ports for a keyboard and mouse. With this cable you can create a direct connection to the operating system and the BIOS running on a compute node.

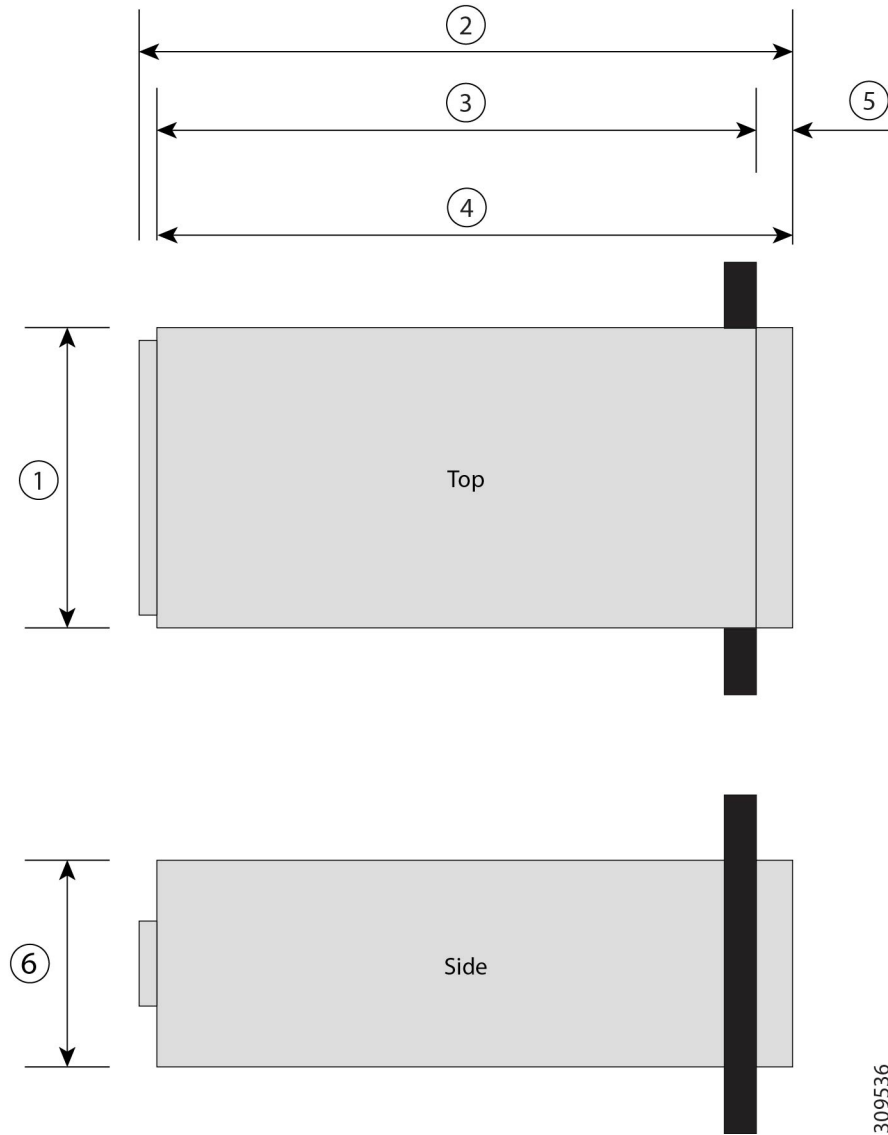
Figure 1: KVM Cable for Compute Nodes



1	Oculink Connector to compute node	2	DB-9 serial connector to host Console port
3	USB connector to connect to single USB 3.0 port (keyboard or mouse)	4	DB-15 connector to connect to a host VGA monitor

Chassis Specifications

Figure 2: Chassis Dimensions



1	Chassis Width: 17.5 in (444.5 mm)
2	Total Chassis Length, plus protrusions: 35.8 in (909.32 mm)
3	Chassis Length measured from front rack rail: 33.05 in (839.47 mm)
4	Chassis Length, front face to rear face: 34.8 in (884 mm)

5	Chassis Front Clearance: 1.77 in (44.96 mm) Cable management trays, if used, add 4.5 in (114.3 mm) of length to the chassis.
6	Chassis Height: 12.05 in (306.07 mm)

Table 1: Chassis Capacities

Description	Specification
Node slots	8
IFM slots	2
XFM slots	2
Fan module bays	4
Power supply bays	6

Table 2: Weight of the Chassis Components

Description	Specification
Empty chassis	92 lbs (41.73 kg)
IFM	8.4 lbs (3.81 kg)
IFM Filler Panel	5.8 lbs (2.63 kg)
Fan module	3.4 lbs (1.54 kg)
PSU	4 lbs (1.81 kg)
Compute Node	14.9 to 25 lbs (6.76 to 11.34 kg) depending on hardware options.
PCIe Node	12.84 to 17.9 lbs (5.83 kg to 8.12 kg) depending on the quantity and types of GPUs installed.
Fully Populated UCS X9508 Chassis	Approximately 400 lbs (181.43 kg) depending on models and options selected

¹ The system weight listed here is an estimate for a fully configured system and will vary depending on the devices installed.

Environmental Specifications

Table 3: Environmental Specifications for the Chassis

Description	Specification
Temperature, operating within altitude: 0 to 10,000 feet (0 to 3,000 meters)	50 to 95°F (10 to 35°C) (As altitude increases, maximum temperature decreases by 1°C per 300m.) For general information, see the Cisco Unified Computing System Site Planning Guide: Data Center Power and Cooling .
Temperature, non-operating within altitude: 0 to 40,000 feet (0 to 12,000 meters)	–40 to 149°F (–40 to 65°C)
Humidity (RH), noncondensing	Operating: 10-90%, 28°C max. wet bulb Nonoperating: 5-93%, 38°C max wet bulb
Altitude	Operating – 0 to 10000 feet (0 to 3000 meters) Above 10,000 feet, maximum temperature decreases by 1°C per 1000 feet (~300 meters) above 10,000 feet Nonoperating – 40,000 ft (12,000 m)
Sound Pressure Level	83 dBA—at normal operating temperature.

Environmental Conditions and Power Requirement Specifications for Twinax SFP+ Transceivers

Table 4: Environmental Conditions and Power Requirement for the SFP+ Transceiver

Parameter	Symbol	Min.	Max.	Unit
Storage temperature	TS	–40	85	°C
Case temperature	TC	0	50	°C
Module supply voltage	VCCT,R	3.1	3.5	V

Specifications for the Cisco UCS X9508 Chassis Power Supply Units

Table 5: AC-input Titanium Power Supply (N20-PAC5-2800W) Specifications

Description	Specification
AC-input voltage	Voltage Range 100-127 VAC, 200-240 VAC Nominal (range: 90-140 VAC, 180-264 VAC)
AC-input frequency	50 to 60 Hz nominal (range: 47 to 63 Hz)
Maximum AC-input current	18 A @ 90 VAC 18 A @ 180 VAC
Maximum input VA	3200 VA at 230 VAC
Maximum output power per power supply	2800 W @ 200-240 VAC Nominal 1400 W @ 100-127 VAC Nominal
Maximum inrush current	35 A (sub cycle duration)
Minimum hold up time	10 ms @ 1400 W 10 ms @ 2800 W
Power supply main output voltage	54 VDC
Power supply standby voltage	3.4 V
Efficiency Rating	80+ Titanium Certified
Input connector	IEC320 C20 System input power connectors are located in the chassis PEMs, not on the power supply

For information about supported power cords, see [Technical Specifications, on page 1](#).

Supported AC Power Cords and Plugs

The AC power connectors on the chassis PEM use an IEC 320 C20 socket. Each chassis power supply has a separate power cord. The power cord that you use to connect the power supply units to an AC power source will have an IEC 320 C19 plug on one end and on the other end one that conforms to the AC power outlet specifications for your country. See the following table to determine which cord to order for your chassis power supply units. When you determine which power cord you need to order, you can verify that its plugs conform to the power outlets for your facility by clicking on its reference link.

The jumper power cords, for use in racks, are available as an optional alternative to the standard power cords. The optional jumper power cords have an IEC C19 connector (such as a Cisco RP Series PEM) on the end

that plugs into the chassis' PEM and an IEC C20 connector on the end that plugs into an IEC C19 outlet receptacle. For more information, contact your Cisco Systems representative.



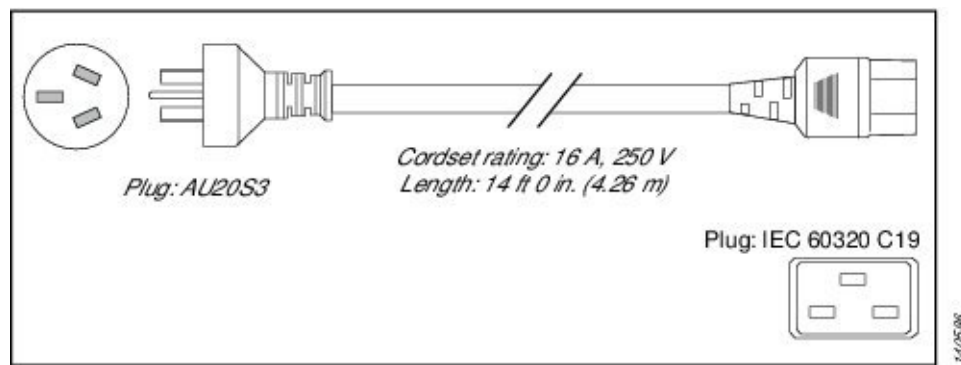
Note Only the regular power cords or jumper power cords provided with the chassis are supported.

Australia and New Zealand

Power Cord Part Number—CAB-AC-16A-AUS

Cord Set Rating—16A, 250 VAC

Figure 3: CAB-AC-16A-AUS Power Cord for the Cisco UCS X9508 Chassis

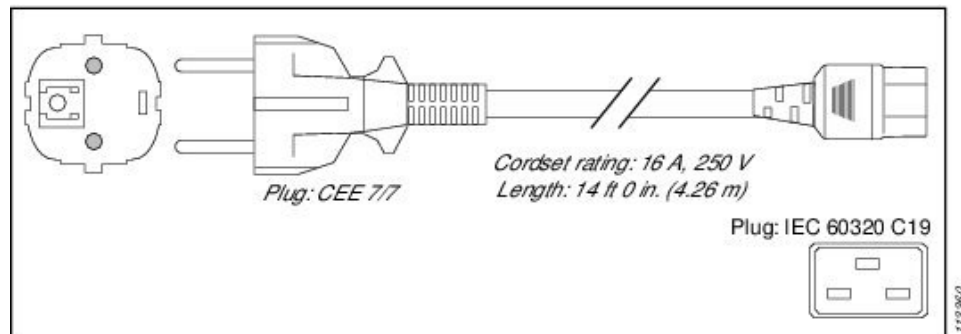


Continental Europe

Power Cord Part Number—CAB-AC-2800W-EU

Cord Set Rating—16A, 250 VAC

Figure 4: CAB-AC-2800W-EU Power Cord for the UCS X9508 Chassis

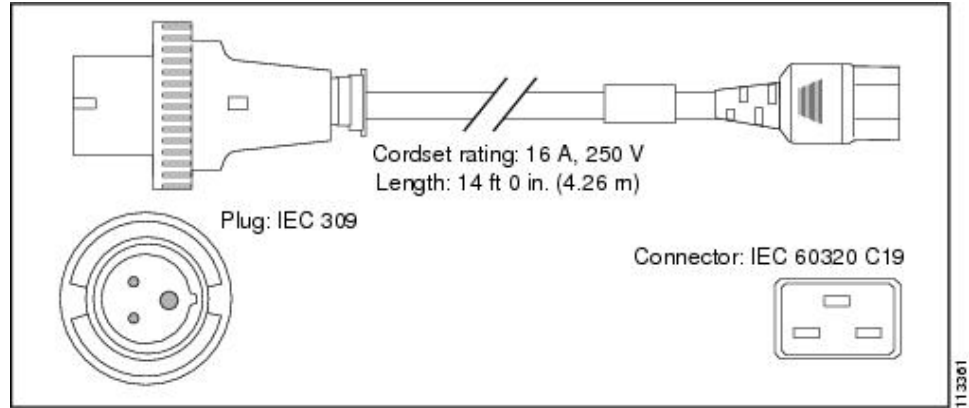


International

Power Cord Part Number—CAB-AC-2800W-INT

Cord Set Rating—16A, 250 VAC

Figure 5: CAB-AC-2800W-INT Power Cord for the UCS X9508 Chassis

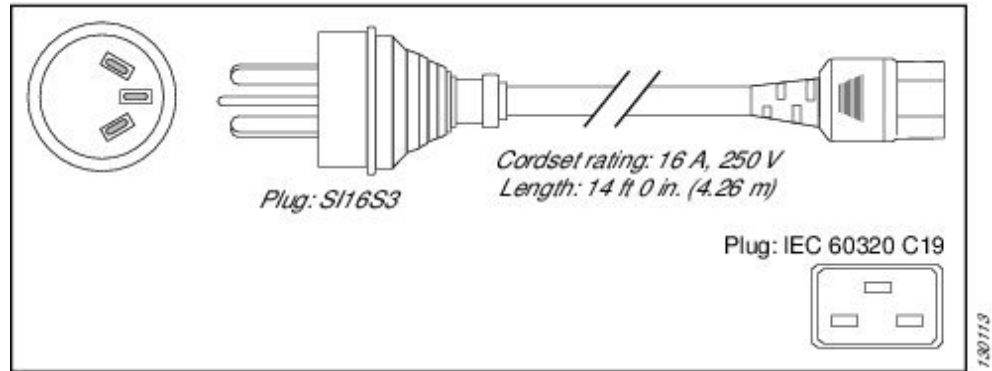


Israel

Power Cord Part Number—CAB-AC-2800W-ISRL

Cord Set Rating—16A, 250 VAC

Figure 6: CAB-AC-2800W-ISRL Power Cord for the UCS X9508 Chassis



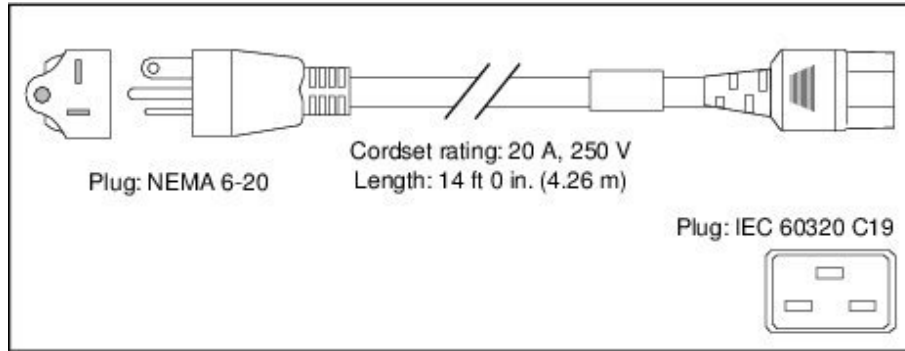
Japan and North America

Non-Locking 200 to 240 VAC operation

Power Cord Part Number—CAB-AC-2800W-US1

Cord Set Rating—16A, 250 VAC

Figure 7: CAB-AC-2800W-US1 Power Cord for the UCS X9508 Chassis



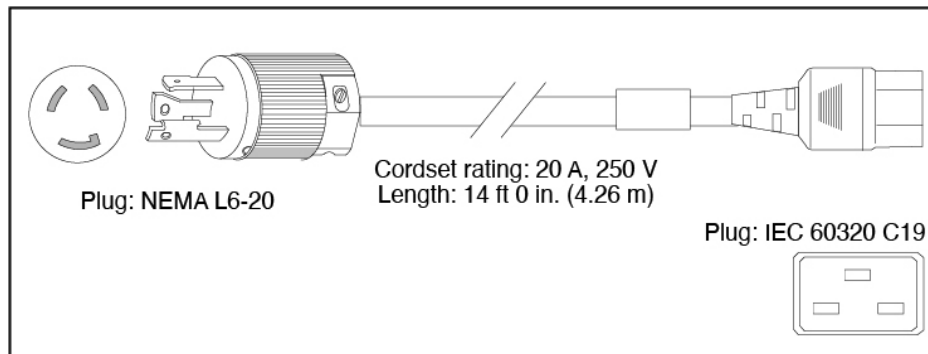
113362

Locking 200 to 240 VAC Operation

Power Cord Part Number—CAB-AC-C6K-TWLK

Cord Set Rating—16A, 250 VAC

Figure 8: CAB-AC-C6K-TWLK Power Cord for the UCS X9508 Chassis



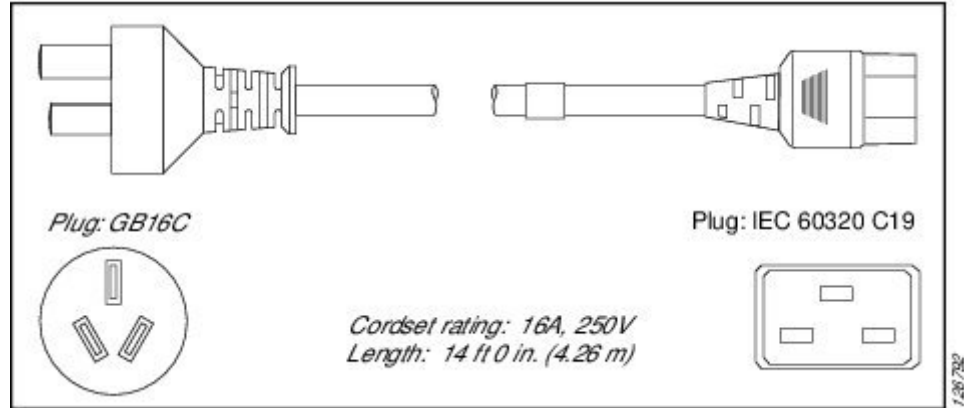
309544

Peoples Republic of China

Power Cord Part Number—CAB-AC-16A-CH

Cord Set Rating—16A, 250 VAC

Figure 9: CAB-AC-16A-CH Power Cord for the Cisco UCSX X9508 Chassis



Taiwan

Power Cord—CAB-AC-C19-TW

Plug—250 VAC 16 A, C19

Length—7.5 feet / 2.3 meters

Switzerland

Power Cord Part Number—CAB-ACS-16

Cord Set Rating—16A, 250 VAC

Figure 10: CAB-ACS-16 Power Cord for the UCS X9508 Chassis

