



Cisco UCS X9508 Server Chassis Installation Guide

First Published: 2021-07-30

Last Modified: 2023-12-01

Americas Headquarters

Cisco Systems, Inc.
170 West Tasman Drive
San Jose, CA 95134-1706
USA
<http://www.cisco.com>
Tel: 408 526-4000
800 553-NETS (6387)
Fax: 408 527-0883



CONTENTS

CHAPTER 1

Overview 1

System Overview	1
Features and Benefits	4
Chassis Components	6
Cisco UCS X9508 Server Chassis	6
Compute Nodes	6
Cisco UCS X210c M6 Compute Node	6
Intelligent Fabric Modules	7
Cisco UCS 9108 25G Intelligent Fabric Module	7
Cisco UCS 9108 100G Fabric Module	8
X-Fabric Modules	9
Cisco UCS X9416 Fabric Module	10
Cisco UCS X-Fabric Module Blanks	11
Fan Modules	12
Power Supplies	13
LEDs	13
Buttons	14
Connectors	14
Power Supply Configuration	14
Non-Redundant Mode	14
N+1 Power Supply Configuration	15
N+2 Power Supply Configuration	15
Grid Configuration	16
LEDs	16
LED Locations	16
Interpreting LEDs	18

Optional Hardware Configuration 22

CHAPTER 2

Installation 23

Installation Notes and Warnings for the Cisco UCS X9508 Server Chassis 23

Rack Requirements 24

Airflow Considerations 25

Earth Ground Considerations 26

Handling the Chassis 27

Moving Server Chassis 29

Installation Guidelines 30

Required Equipment 31

Unpacking and Inspecting the Chassis 31

Rail Installation Templates 35

Front Install Template 36

Rear Install Template 36

Installing Cage Nuts 37

Installing Cage Nuts, Square-Hole Rack 38

Installing Cage Nuts, Round-Hole Rack 39

Rail Kits 40

Installing the Chassis 43

Installing the Rails, Square-Hole Rack 43

Installing the Rails, Round-Hole Rack 46

Rail Installation Layout, Square-Hole Rack 49

Rail Installation Layout, Round-Hole Rack 51

Installing the Top Cable Management Arms 53

Installing the Ground Bracket and Bottom Cable Management Arms 55

Inserting the Chassis into a Square-Hole Rack 56

Inserting the Chassis into a Round-Hole Rack 60

Installing Rear Mounting Brackets, Square-Hole Rack 63

Installing Rear Mounting Brackets, Round-Hole Rack 65

Completing Installation 67

Choosing Earth Ground Option 68

Connecting Side-Mount Earth Ground 68

Connecting Rear-Mount Earth Ground 70

Attaching Cable Management Trays	72
Installing the Cable Management Tray	73
Removing the Cable Management Tray	75
Removing the Chassis from a Rack	77
Repacking the Chassis	77

CHAPTER 3**Installing and Removing Components 79**

Components	79
Cisco UCS 9108 25G IFM Components	83
Cisco UCS 9108 100G IFM Components	85
Cisco UCS X9416 Fabric Module Components	86
Cisco UCS X-Fabric Module Blank Components	87
Installing and Removing a Compute Node Blank	88
Removing a Compute Node Blank	89
Installing a Compute Node Blank	90
Installing and Removing a Compute Node	92
Installing a Compute Node	92
Removing a Compute Node	94
Installing and Removing Power Supplies	95
PSU Population Rules	96
Installing a Power Supply	96
Removing a Power Supply	98
Replacing a PSU Blank	99
Removing a PSU Blank	99
Installing a PSU Blank	101
Replacing the PSU Keying Bracket	102
Removing the PSU Keying Bracket	102
Installing the PSU Keying Bracket	103
Replacing the Power Entry Modules (PEMs)	105
Installing the Power Entry Modules	105
Removing the Power Entry Modules	107
Installing and Removing a Fan Module	110
Fan Module Replacement Consideration	110
Installing a Fan Module	110

Removing a Fan Module	112
Installing and Removing a Rear Module's Fan	113
Installing a Fan for a UCS Intelligent Fabric Module (IFM) or X-Fabric Module (XFM) Blank	114
Removing a Fan for a UCS Intelligent Fabric Module (IFM) or X-Fabric Module (XFM) Blank	115
Installing and Removing an Intelligent Fabric Module	116
Installing an Intelligent Fabric Module	116
Removing an Intelligent Fabric Module	117
Installing and Removing an X-Fabric Module	119
Removing an X-Fabric Module	120
Installing an X-Fabric Module	121
Installing and Removing the UCS X-Fabric Module Blank	122
Installing a UCS X-Fabric Module Blank	123
Removing a UCS X-Fabric Module Blank	123
Recycling Printed Circuit Boards	124
Recycling the Chassis PCB Assembly (PCBA)	124
Recycling the UCS 9108 25G IFM PCBs	128
Recycling the UCS 9108 100G IFM PCBs	135
Recycling X-Fabric Module PCBs	142
Recycling X-Fabric Module Blank PCBs	148

APPENDIX A

Technical Specifications	153
KVM Cable	153
Chassis Specifications	154
Environmental Specifications	156
Environmental Conditions and Power Requirement Specifications for Twinax SFP+ Transceivers	156
Specifications for the Cisco UCS X9508 Chassis Power Supply Units	157
Supported AC Power Cords and Plugs	157
Australia and New Zealand	158
Continental Europe	158
International	158
Israel	159
Japan and North America	159
Peoples Republic of China	160
Taiwan	161

Switzerland 161

APPENDIX B**Intelligent Fabric Module (IFM), X-Fabric Module, and Active Fan Module Field Replaceable Unit Instructions 163**

Cisco UCS 9108 25G IFM Field Replaceable Unit Replacement Instructions 163

Cisco UCS 9108 100G IFM Field Replaceable Unit Replacement Instructions 164

Cisco UCS 9508 Active Fan Module (AFM) Field Replaceable Unit Replacement Instructions 164

Cisco UCS X9416 X-Fabric Module Field Replaceable Unit Replacement Instructions 165

APPENDIX C**Site Planning and Maintenance Records 167**

Site Preparation Checklist 167

Contact and Site Information 169

Chassis and Module Information 169

FEX Port Connection Record 170

UCS 6548 Fabric Interconnect Port Connection Record 171



Preface

This preface contains the following topics:

- [Bias-Free Documentation](#), on page ix
- [Full Cisco Trademarks with Hardware License](#), on page ix
- [Communications, Services, and Additional Information](#), on page xi

Bias-Free Documentation



Note The documentation set for this product strives to use bias-free language. For purposes of this documentation set, bias-free is defined as language that does not imply discrimination based on age, disability, gender, racial identity, ethnic identity, sexual orientation, socioeconomic status, and intersectionality. Exceptions may be present in the documentation due to language that is hardcoded in the user interfaces of the product software, language used based on standards documentation, or language that is used by a referenced third-party product.

Full Cisco Trademarks with Hardware License

THE SPECIFICATIONS AND INFORMATION REGARDING THE PRODUCTS IN THIS MANUAL ARE SUBJECT TO CHANGE WITHOUT NOTICE. ALL STATEMENTS, INFORMATION, AND RECOMMENDATIONS IN THIS MANUAL ARE BELIEVED TO BE ACCURATE BUT ARE PRESENTED WITHOUT WARRANTY OF ANY KIND, EXPRESS OR IMPLIED. USERS MUST TAKE FULL RESPONSIBILITY FOR THEIR APPLICATION OF ANY PRODUCTS.

THE SOFTWARE LICENSE AND LIMITED WARRANTY FOR THE ACCOMPANYING PRODUCT ARE SET FORTH IN THE INFORMATION PACKET THAT SHIPPED WITH THE PRODUCT AND ARE INCORPORATED HEREIN BY THIS REFERENCE. IF YOU ARE UNABLE TO LOCATE THE SOFTWARE LICENSE OR LIMITED WARRANTY, CONTACT YOUR CISCO REPRESENTATIVE FOR A COPY.

The following information is for FCC compliance of Class A devices: This equipment has been tested and found to comply with the limits for a Class A digital device, pursuant to part 15 of the FCC rules. These limits are designed to provide reasonable protection against harmful interference when the equipment is operated

in a commercial environment. This equipment generates, uses, and can radiate radio-frequency energy and, if not installed and used in accordance with the instruction manual, may cause harmful interference to radio communications. Operation of this equipment in a residential area is likely to cause harmful interference, in which case users will be required to correct the interference at their own expense.

The following information is for FCC compliance of Class B devices: This equipment has been tested and found to comply with the limits for a Class B digital device, pursuant to part 15 of the FCC rules. These limits are designed to provide reasonable protection against harmful interference in a residential installation. This equipment generates, uses and can radiate radio frequency energy and, if not installed and used in accordance with the instructions, may cause harmful interference to radio communications. However, there is no guarantee that interference will not occur in a particular installation. If the equipment causes interference to radio or television reception, which can be determined by turning the equipment off and on, users are encouraged to try to correct the interference by using one or more of the following measures:

- Reorient or relocate the receiving antenna.
- Increase the separation between the equipment and receiver.
- Connect the equipment into an outlet on a circuit different from that to which the receiver is connected.
- Consult the dealer or an experienced radio/TV technician for help.

Modifications to this product not authorized by Cisco could void the FCC approval and negate your authority to operate the product.

The Cisco implementation of TCP header compression is an adaptation of a program developed by the University of California, Berkeley (UCB) as part of UCB's public domain version of the UNIX operating system. All rights reserved. Copyright © 1981, Regents of the University of California.

NOTWITHSTANDING ANY OTHER WARRANTY HEREIN, ALL DOCUMENT FILES AND SOFTWARE OF THESE SUPPLIERS ARE PROVIDED "AS IS" WITH ALL FAULTS. CISCO AND THE ABOVE-NAMED SUPPLIERS DISCLAIM ALL WARRANTIES, EXPRESSED OR IMPLIED, INCLUDING, WITHOUT LIMITATION, THOSE OF MERCHANTABILITY, FITNESS FOR A PARTICULAR PURPOSE AND NONINFRINGEMENT OR ARISING FROM A COURSE OF DEALING, USAGE, OR TRADE PRACTICE.

IN NO EVENT SHALL CISCO OR ITS SUPPLIERS BE LIABLE FOR ANY INDIRECT, SPECIAL, CONSEQUENTIAL, OR INCIDENTAL DAMAGES, INCLUDING, WITHOUT LIMITATION, LOST PROFITS OR LOSS OR DAMAGE TO DATA ARISING OUT OF THE USE OR INABILITY TO USE THIS MANUAL, EVEN IF CISCO OR ITS SUPPLIERS HAVE BEEN ADVISED OF THE POSSIBILITY OF SUCH DAMAGES.

Any Internet Protocol (IP) addresses and phone numbers used in this document are not intended to be actual addresses and phone numbers. Any examples, command display output, network topology diagrams, and other figures included in the document are shown for illustrative purposes only. Any use of actual IP addresses or phone numbers in illustrative content is unintentional and coincidental.

All printed copies and duplicate soft copies of this document are considered uncontrolled. See the current online version for the latest version.

Cisco has more than 200 offices worldwide. Addresses and phone numbers are listed on the Cisco website at www.cisco.com/go/offices.

Cisco and the Cisco logo are trademarks or registered trademarks of Cisco and/or its affiliates in the U.S. and other countries. To view a list of Cisco trademarks, go to this URL: <https://www.cisco.com/c/en/us/about/legal/trademarks.html>. Third-party trademarks mentioned are the property of their respective owners. The use of the word partner does not imply a partnership relationship between Cisco and any other company. (1721R)

Communications, Services, and Additional Information

- To receive timely, relevant information from Cisco, sign up at [Cisco Profile Manager](#).
- To get the business impact you're looking for with the technologies that matter, visit [Cisco Services](#).
- To submit a service request, visit [Cisco Support](#).
- To discover and browse secure, validated enterprise-class apps, products, solutions and services, visit [Cisco Marketplace](#).
- To obtain general networking, training, and certification titles, visit [Cisco Press](#).
- To find warranty information for a specific product or product family, access [Cisco Warranty Finder](#).

Cisco Bug Search Tool

[Cisco Bug Search Tool](#) (BST) is a web-based tool that acts as a gateway to the Cisco bug tracking system that maintains a comprehensive list of defects and vulnerabilities in Cisco products and software. BST provides you with detailed defect information about your products and software.



CHAPTER 1

Overview

This chapter contains the following topics:

- [System Overview, on page 1](#)
- [Features and Benefits, on page 4](#)
- [Chassis Components, on page 6](#)
- [Compute Nodes, on page 6](#)
- [Intelligent Fabric Modules, on page 7](#)
- [X-Fabric Modules, on page 9](#)
- [Fan Modules, on page 12](#)
- [Power Supplies, on page 13](#)
- [LEDs, on page 16](#)
- [Optional Hardware Configuration, on page 22](#)

System Overview

The Cisco UCS X9508 Server Chassis and its components are part of the Cisco Unified Computing System (UCS). This system can use multiple server chassis configurations along with the Cisco UCS Fabric Interconnects to provide advanced options and capabilities in server and data management. The following configuration options are supported:

- All Cisco UCS compute nodes. In a compute node-only configuration, two Intelligent Fabric Modules (IFMs) are required.
- A mix of Cisco UCS compute nodes and Cisco UCS PCI Nodes. In this configuration, the compute nodes are paired 1:1 with Cisco UCS PCIe nodes, such as the Cisco UCS X440p PCIe Node. Two Intelligent Fabric Modules (IFMs) and two Cisco X9416 X-Fabric Modules (XFMs) are required.

All servers, compute, and PCIe nodes are managed through the GUI or API with Cisco Intersight.

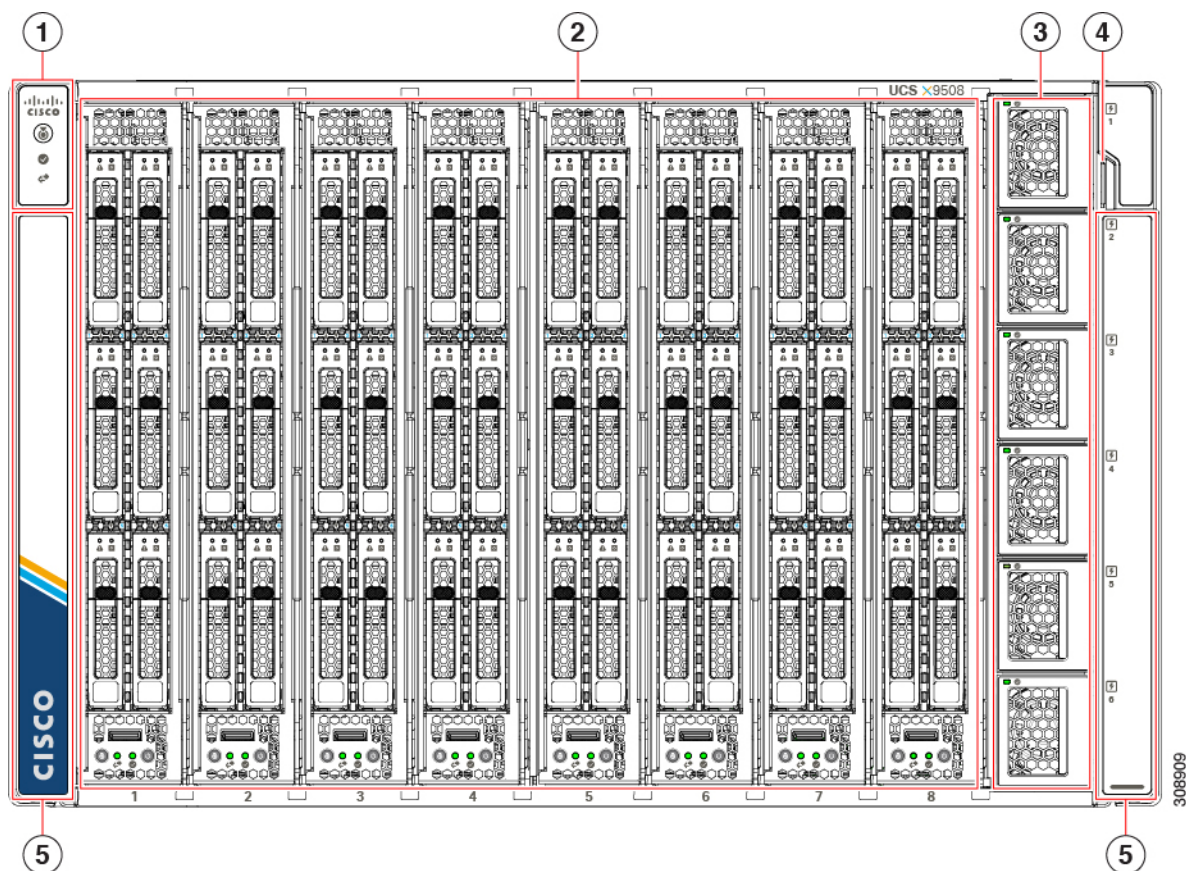
The Cisco UCS X9508 Server Chassis system consists of the following components:

- Chassis versions:
 - Cisco UCS X9508 server chassis–AC version
- Intelligent Fabric Modules (IFMs), two deployed as a pair:

- Cisco UCS 9108 100G IFMs (UCSX-I-9108-100G)—Two I/O modules, each with 8 100 Gigabit QSFP28 optical ports
- Cisco UCS 9108 25G IFMs (UCSX-I-9108-25G)—Two I/O modules, each with 8 25 Gigabit SFP28 optical ports
- X-Fabric Modules (UCSX-F-9416)—Two XFMs are required in each UCS X9508 server chassis to support GPU acceleration through Cisco UCS X440p PCIe nodes.
- Power supplies—Up to six 2800 Watt, hot-swappable power supplies
- Fan modules—Four hot-swappable fan modules
- Up to 8 UCS X Series compute nodes, including the Cisco UCS X210c M6 compute nodes (UCSX-210C-M6), a compute node that contains one or two CPUs and up to six hard drives. For information about the compute node, go to the [Cisco UCS X210c M6 Compute Node Installation and Service Note](#).
- Up to 4 UCS X-Series compute nodes paired 1:1 with up to 4 Cisco UCS X-Series PCIe nodes, including the Cisco UCS X440p PCIe Node. This configuration requires two Cisco UCS X9416 X-Fabric Modules regardless of the number of PCIe nodes installed. For information about the PCIe node, go to the [Cisco UCS X440p PCIe Node Installation and Service Guide](#).

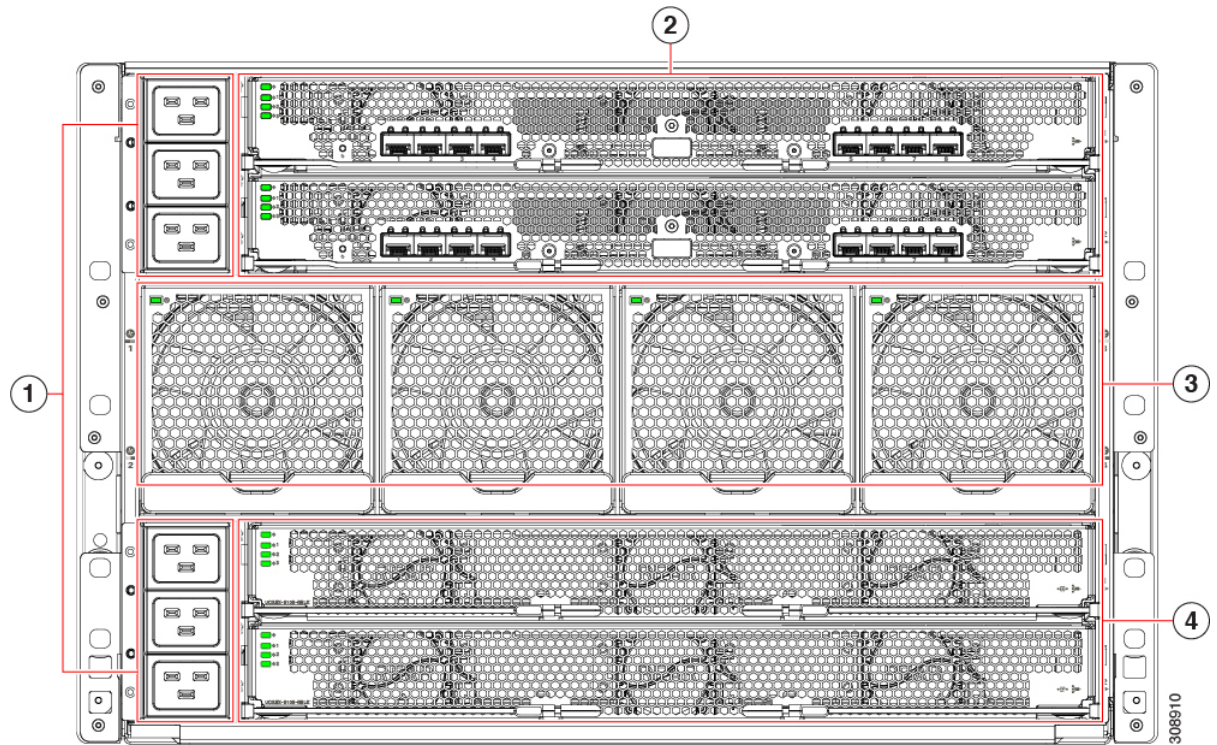
The following figures show the server chassis front and back.

Figure 1: Cisco UCS X9508 Server Chassis, Front



1	<p>System LEDs:</p> <ul style="list-style-type: none"> • Locator LED/Button • System Status LED • Network Link LED <p>For information about System LEDs, see LEDs, on page 16.</p>	2	<p>Node Slots, a total of 8.</p> <p>Shown populated with compute nodes, but can also contain PCIe Nodes</p>
3	<p>Power Supplies, a maximum of 6.</p>	4	<p>System Asset Tag</p>
5	<p>System side panels (two), which are removable. The side panels cover the rack mounting brackets.</p>		

Figure 2: Cisco UCS X9508 Server Chassis, Rear



1	<p>Power Entry Modules (PEMs) for facility inlet power</p> <p>Each PEM contains 3 IEC 320 C20 inlets.</p> <ul style="list-style-type: none"> • PEM 1 is at the top of the chassis, and it supports IEC inlets 1 through 3, with inlet 1 at the top of PEM 1. • PEM 2 is at the bottom of chassis, and it supports IEC inlets 4 through 6, with inlet 4 at the top of PEM 2 	2	<p>Intelligent Fabric Modules (shown populated), which are always deployed as a pair of the following:</p> <ul style="list-style-type: none"> • Cisco UCS 9108 100G modules • Cisco UCS 9108 25G modules
3	System fans (four)	4	X-Fabric Module slots for either UCS active filler panels (for compute nodes) or up to two UCS X-Fabric Modules (for compute nodes paired with PCIe nodes).

Features and Benefits

The Cisco UCS X9508 server chassis revolutionizes the use and deployment of compute-node and PCIe-node based systems. By incorporating unified fabric, cloud native management, and X-Fabric technology, the Cisco Unified Computing System enables the chassis to have fewer physical components, no independent management, and to be more energy efficient than traditional blade server chassis.

This simplicity eliminates the need for dedicated chassis management and blade switches, reduces cabling, and enables the Cisco Unified Computing System to scale to 20 chassis without adding complexity. The Cisco UCS X9508 server chassis is a critical component in delivering the Cisco Unified Computing System benefits of data center simplicity and IT responsiveness.

Table 1: Features and Benefits

Feature	Benefit
Management by Cisco Intersight	<p>Reduces total cost of ownership by removing management modules from the chassis, making the chassis stateless.</p> <p>Provides a single, highly available cloud-based management tool for all server chassis, IFMs, xFMs, and nodes, thus reducing administrative tasks.</p>

Feature	Benefit
Unified fabric	Decreases TCO by reducing the number of network interface cards (NICs), host bus adapters (HBAs), switches, and cables needed.
Support for two UCS I/O Modules	Eliminates switches from the chassis, including the complex configuration and management of those switches, allowing a system to scale without adding complexity and cost. Allows use of two I/O modules for redundancy or aggregation of bandwidth.
Auto discovery	Requires no configuration; like all components in the Cisco Unified Computing System, chassis are automatically recognized and configured by Cisco Intersight.
Direct node to fabric connectivity	Provides reconfigurable chassis to accommodate a variety of form factors and functions, which supports investment protection for new fabrics and future compute and PCIe nodes. Provides IFM-to-compute node connectivity to chassis through an Ortho-Direct connection. Provides 8 nodes with 200 Gbps (dual 25G-PAM4-ETH x8 lanes) of available Ethernet fabric throughput for each compute node. The system is designed to support higher potential Ethernet fabric throughput for future and emerging technologies, such as 112 GbpsPAM4 Ethernet. Provides 8 nodes with 200 Gbps (dual 16G-PCIe x 16 lanes) of available PCIe fabric throughput for each compute node. The system is designed to support higher potential Ethernet fabric throughput for future and emerging technologies, such as 32 Gbps PCIe Gen5.
Redundant hot swappable power supplies and fans	Provides high availability in multiple configurations. Increases serviceability. Provides uninterrupted service during maintenance. Available configured for AC environments (mixing not supported)
Hot-pluggable compute nodes and intelligent fabric modules	Provides uninterrupted service during maintenance and server deployment.
Comprehensive monitoring	Provides extensive environmental monitoring on each chassis Allows use of user thresholds to optimize environmental management of the chassis.
Efficient front-to-back airflow	Helps reduce power consumption and increase component reliability.
Tool-free installation	Requires no specialized tools for chassis installation. Provides mounting rails for easy installation and servicing.
Node configurations	Allows up to 8 UCS compute nodes or up to 4 compute nodes paired with 4 UCS PCIe nodes

Chassis Components

This section lists an overview of chassis components.

Cisco UCS X9508 Server Chassis

The Cisco UCS X9508 Series server chassis is a scalable and flexible chassis for today's and tomorrow's data center that helps reduce total cost of ownership.

The chassis is seven rack units (7 RU) high and can mount in an industry-standard 19-inch rack with square holes for use with cage nuts or round-holes for use with spring nuts. The chassis can house up to eight Cisco UCS nodes.

Up to six hot-swappable AC power supplies are accessible from the front of the chassis. These power supplies can be configured to support nonredundant, N+1 redundant, N+2 redundant, and grid-redundant configurations. The rear of the chassis contains four hot-swappable fans, six power connectors (one per power supply), two horizontal top slots for Intelligent Fabric Modules (IFM1, IFM2), and two additional horizontal bottom slots for X-Fabric modules (XFM1, XFM2).

Scalability is dependent on both hardware and software. For more information, see the appropriate [UCS software release notes](#).

Compute Nodes

The Cisco UCS X Series compute nodes are based on industry-standard server technologies and provide the following:

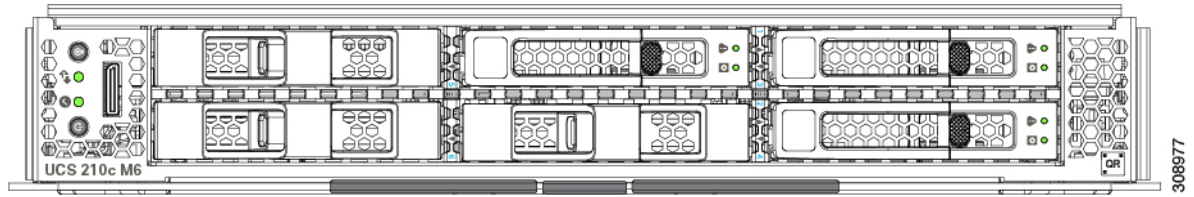
- Up to two Intel multi-core processors
- Front-accessible, hot-swappable NVMe drives or solid-state disk (SSD) drives
- Depending on the compute node, support is available for up to two adapter card connections for up to 200 Gbps of redundant I/O throughput
- Industry-standard double-data-rate 4 (DDR4) memory
- Remote management through an integrated service processor that also executes policy established in Cisco Intersight cloud-based server management.
- Local keyboard, video, and mouse (KVM) and serial console access through a front console port on each compute node

Cisco UCS X210c M6 Compute Node

The Cisco UCS X210c M6 is a two-socket compute node that hosts a maximum of two M6 CPUs. This compute node is supported in the Cisco UCS X9508 server chassis, which provides power and cooling. Data interconnect for the compute node to other data center equipment is supported through Intelligent Fabric Modules in the same server chassis.

Each Cisco UCS X210c M6 compute node has Cisco-standard indicators on the face of the module. Indicators are grouped for module-level information, and drive-level indicators.

Figure 3: Cisco UCS X210c M6 Compute Node



Intelligent Fabric Modules

The Cisco UCS X9508 contains Intelligent Fabric Modules (IFMs) on the rear of the server chassis. IFMs have multiple functions in the server chassis:

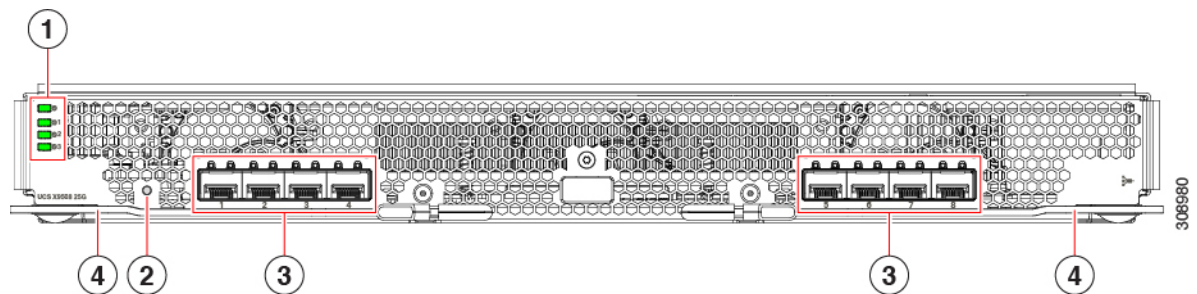
- Data traffic: IFMs support network-level communication for traditional LAN and SAN traffic as well as aggregating and disaggregating traffic to and from individual compute nodes.
- Chassis health: IFMs monitor common equipment in the server chassis, such as fan units, power supplies, environmental data, LED status panel, and so on. Management functions for the common equipment is supported through IFMs.
- Compute Node health: IFMs monitor Keyboard-Video-Mouse (KVM) data, Serial over LAN (SoL) data, and IPMI data for the compute nodes in the chassis, as well as provide management of these features.

IFMs must always be deployed in pairs to provide redundancy and failover to safeguard system operation.

Cisco UCS 9108 25G Intelligent Fabric Module

The Cisco UCS 9108 Intelligent Fabric Module (UCSX-I-9108-25G) is an IFM that supports aggregate data throughput of 2TB/s through two groups of four optical ports.

Figure 4: UCS 9108 25 Gbps Intelligent Fabric Module, Faceplate View



1	Status LEDs: <ul style="list-style-type: none"> • IFM Status (top LED) • Fan Status LEDs 1 through 3, with Fan 1 as LED 2, Fan 2 as LED 3, and Fan 3 as LED 4. 	2	IFM Reset Button
---	--	---	------------------

3	<p>SFP28 Optical Ports</p> <p>Ports are arranged in two groups of four physical ports:</p> <ul style="list-style-type: none"> • Ports are in groups of four. Port number 1 is the left port in this group, and port number 4 is the right port in the group. • Ports are in groups of four. Port number 5 is the left port in this group, and port number 8 is the right port in the group. 	4	IFM Ejector Handles, left and right
---	---	---	-------------------------------------

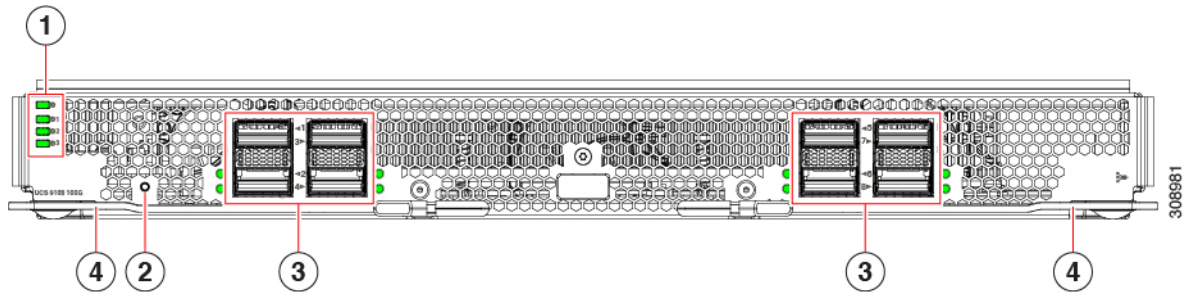


Note For information about removing and installing the IFM's components, see [Cisco UCS 9108 25G IFM Field Replaceable Unit Replacement Instructions, on page 163](#).

Cisco UCS 9108 100G Fabric Module

The Cisco UCS 9108 Intelligent Fabric Module (UCSX-I-9108-100G) is an IFM that supports data throughput of 100G through two groups of 4 ports.

Figure 5: UCS 9108 100 Gbps Intelligent Fabric Module, Faceplate View



1	<p>Status LEDs:</p> <ul style="list-style-type: none"> • IFM Status (top LED) • Fan Status LEDs 1 through 3, with Fan 1 as LED 2, Fan 2 as LED 3, and Fan 3 as LED 4. 	2	IFM Reset Button
---	---	---	------------------

3	<p>QSFP28 Optical Ports.</p> <p>Ports are arranged in two groups of four physical ports. Ports are stacked in vertical pairs, with two ports in each vertical port stack.</p> <ul style="list-style-type: none"> • Port number 1 is the top port in the left port pair in the first port group, and port number 3 is the top port of the right port pair in the group. • Port number 5 is the top port in the left port pair of the second group, and port number 7 is the top port in the right port pair of the group. 	4	IFM Ejector Handles, left and right
---	--	---	-------------------------------------



Note For information about removing and installing the IFM's components, see [Cisco UCS 9108 100G IFM Field Replaceable Unit Replacement Instructions, on page 164](#).

X-Fabric Modules

The Cisco UCS X9508 server chassis supports Cisco X-Fabric Modules, including the Cisco UCS X9416 X-Fabric Module (XFM).

The module is a configuration option:

- The X-Fabric modules are required when the server chassis contains the Cisco UCS X440p PCIe node
- The X-Fabric module is not required if your server chassis contains only Cisco UCS X-Series compute nodes, such as the Cisco UCS X210c.



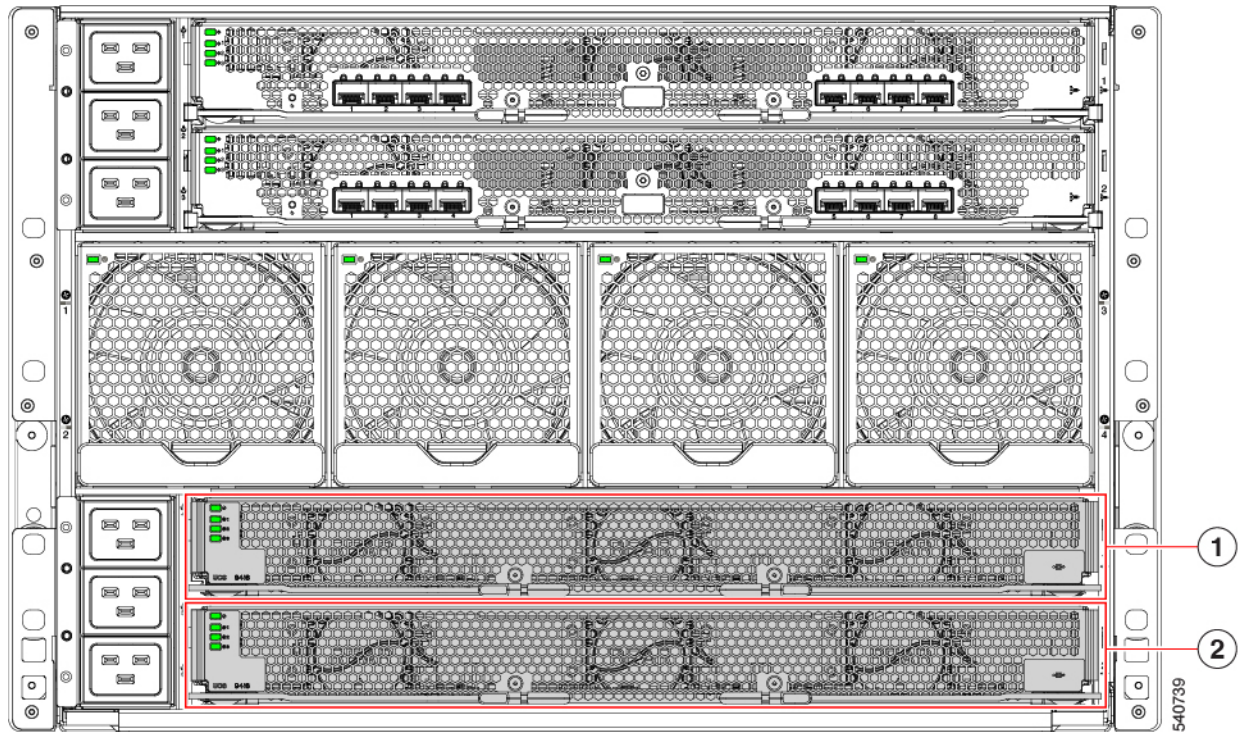
Caution Although Cisco UCS X-Fabric Modules can be removed, it is a best practice to leave them installed even during installation. If your Cisco UCS X9508 server is configured so that no XFMs are installed, only XFM blanks, leave the blanks installed also, even during chassis installation.

X-Fabric Modules are always deployed in pairs to support GPU acceleration through the Cisco UCS X440p PCIe nodes. Therefore, two PCIe modules must be installed in a server chassis that contains any number of PCIe nodes.



Caution Do not operate the server chassis with the XFM slots empty!

Each server chassis supports two UCS X9416 modules, which are located in the two horizontal module slots at the bottom of the chassis rear.



1	XFM slot 1 (XFM1)	Provides PCIe connectivity to all module slots 1 through 8	
2	XFM slot 2 (XFM2)	Provides PCIe connectivity to all module slots 1 through 8	

For additional information, see the following topics:

- [Cisco UCS X9416 Fabric Module](#), on page 10
- [Cisco UCS X-Fabric Module Blanks](#), on page 11

Cisco UCS X9416 Fabric Module

The Cisco UCS X9416 module is a Cisco X-Fabric Module (XFM) that provides PCIe connectivity for module slots one through eight on the front of the server chassis. Each X-Fabric Module is installed in the bottom two slots of the rear of the Cisco UCS X9508 server chassis.



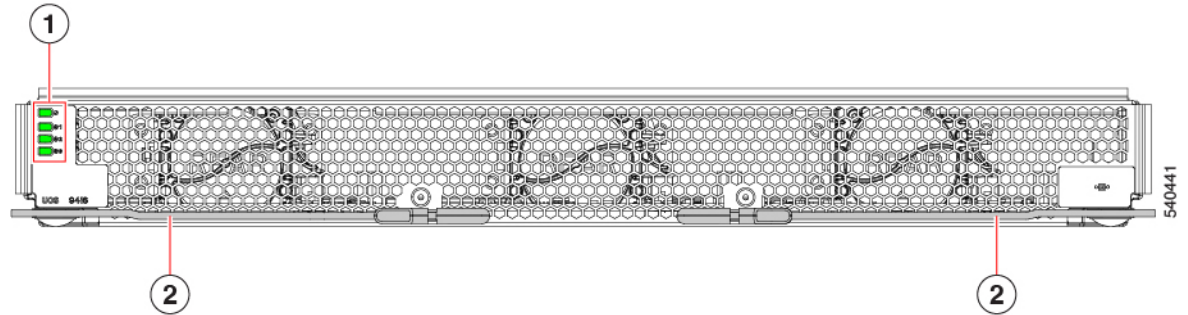
Caution Although the Cisco UCS X9416 Fabric Modules can be removed, it is a best practice to leave them installed even during chassis installation.

Each module provides:

- integrated, hot-swappable active fans for optimal cooling

- PCIe x16 connectivity and signaling between pairs of compute nodes and GPU modules, such as the Cisco X440p PCIe node

Each module has STATUS LEDs to visually indicate operational status the X-Fabric module and its fans.



1	<p>Status LEDs:</p> <ul style="list-style-type: none"> • Module Status (top LED) • Fan Status LEDs 1 through 3, with Fan 1 as LED 2, Fan 2 as LED 3, and Fan 3 as LED 4. 	2	Module Ejector Handles, Left and Right
---	--	---	--



Note For information about removing and installing the XFM's components, see [Cisco UCS X9416 X-Fabric Module Field Replaceable Unit Replacement Instructions, on page 165](#).

Cisco UCS X-Fabric Module Blanks

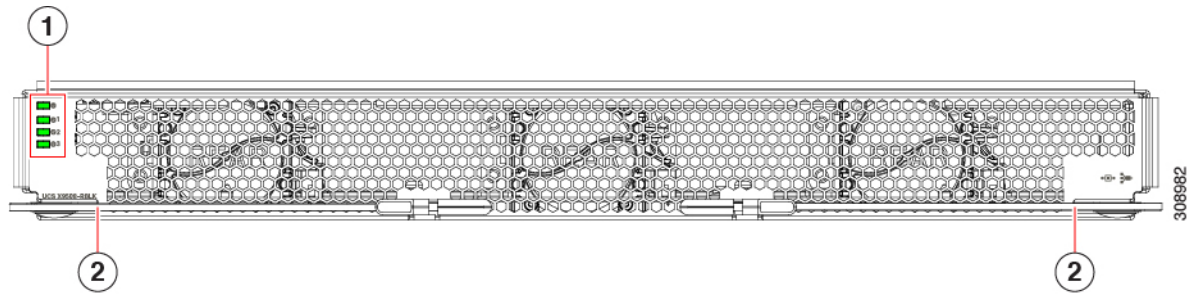
The Cisco UCSX-9508-RBLK is Cisco UCS X-Fabric Module Blank slot which is used for providing future X-Fabric connectivity. Currently this module blank has active fans to facilitate airflow, and it is often called the Active Fan Module (AFM).

In a typical configuration, this module blank can be installed in either of the two bottom slots in the rear of the chassis below the IFM slots.



Caution If your Cisco UCS X9508 server is configured so that no XFMs are installed, only XFM blanks, leave the blanks installed even during chassis installation.

Figure 6: UCS X9508 Rear Module Blank (AFM), Faceplate View



1	Status LEDs: <ul style="list-style-type: none"> • Module Status (top LED) • Fan Status LEDs 1 through 3, with Fan 1 as LED 2, Fan 2 as LED 3, and Fan 3 as LED 4. 	2	Module Ejector Handles, Left and Right
---	---	---	--



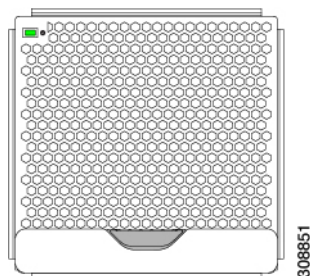
Note For information about removing and installing the XFM's components, see [Cisco UCS 9508 Active Fan Module \(AFM\) Field Replaceable Unit Replacement Instructions](#), on page 164.

Fan Modules

The chassis contains 4 fan modules, with the minimum configuration of 4 fan modules for optimal cooling. Fans draw air in through the front of the chassis (the cool aisle) and exhaust air through the back of the chassis (the hot aisle)

Fans are located in the middle of the server chassis rear panel. Fans are numbered one to four starting with the leftmost fan.

Figure 7: Fan Module



Power Supplies

The chassis supports up to 6 AC power supplies (PSUs), with the minimum configuration of 2 PSUs required. They are Titanium certified 2800W capable AC Power Supply Units (PSUs) that support input power from AC sources.

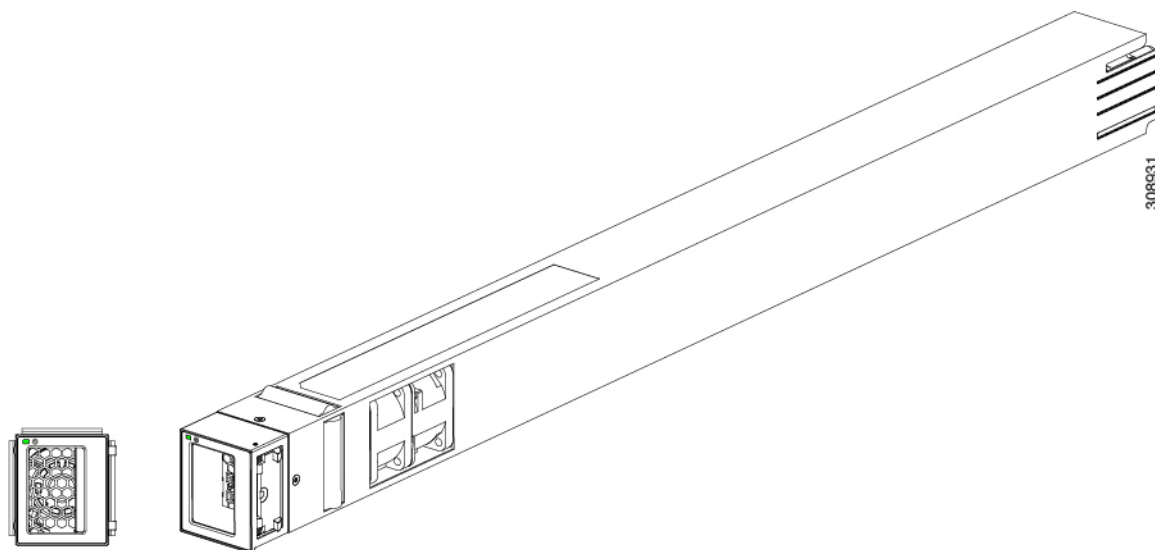
PSUs are redundant and load-sharing and can be used in the following power modes:

- N+1 power supply configuration, where N is the number of power supplies required to support system power requirements
- N+2 power supply configuration, where N is the number of power supplies required to support system power requirements
- Grid configuration, which is also known as N+N power supply configuration, in which N is the amount of power supplies required to support the system power requirements.



Note The chassis requires a minimum of two PSUs to operate.

Figure 8: AC Power Supply



To determine the number of power supplies needed for a given configuration, use the [Cisco UCS Power Calculator](#) tool.

LEDs

One LED indicates power connection presence, power supply operation, and fault states. See [Interpreting LEDs, on page 18](#) for details.

Buttons

There are no buttons on a power supply.

Connectors

The AC power connections are at the rear of the chassis on the Power Entry Module (PEM) to support AC input from the facility. The chassis has two PEMs (PEM 1 and PEM 2), and each supports 3 power supplies.

- PEM 1 supports PSUs 1, 2, and 3.
- PEM 2 supports PSUs 4, 5, and 6.

Each of the six hot-swappable power supplies is accessible from the front of the chassis. These power supplies are Titanium efficiency, and they can be configured to support non-redundant, N+1 redundant, N+2 redundant, and grid-redundant configurations.

Power Supply Configuration

When considering power supply configuration, you need to take several things into consideration:

- AC power supplies are all single phase and have a single input for connectivity to its respective PEM. The customer power source (a rack PDU or equivalent) connects input power directly to the chassis power entry module (PEM), not the actual AC power supplies.
- The number of power supplies required to power a chassis varies depending on the following factors:
 - The total "Maximum Draw" required to power all the components configured within that chassis—such as intelligent fabric modules (IFMs), fans, compute nodes (CPU and memory configuration of the compute nodes).
 - The Desired Power configuration for the chassis. The chassis supports non-redundant power supply configuration, N+1 power supply configuration, N+2 power supply configuration, and grid power supply configuration, which is also known as N+N redundancy.
- When connecting the chassis to facility power, make sure not to overload the capacity of a PDU or power strip, for example, by connecting all PSUs to one PDU or power strip that is not capable of carrying the total power draw of the chassis.

Non-Redundant Mode

In non-redundant mode, the system may go down with the loss of any supply or power grid associated with any particular chassis. We do not recommend operating the system in non-redundant mode in a production environment.

To operate in non-redundant mode, each chassis should have at least two power supplies installed. Supplies that are not used by the system are placed into standby. The supplies that are placed into standby depends on the installation order (not on the slot number). The load is balanced across active power supplies, not including any supplies in standby.

The chassis requires a minimum of 2 power supplies. In cases of low-line operation, the total available power is 1400W each for a total of 2800W. Do not attempt to run the chassis on less than the minimum number of power supplies.

Any power supplies that are unused can be put into standby mode, but also not installed in the chassis, if you choose.



Note In a non-redundant system, power supplies can be in any slot. Installing less than the required number of power supplies results in undesired behavior such as compute node shutdown. Installing more than the required amount of power supplies may result in lower power supply efficiency. At a minimum, this mode will require two power supplies.

N+1 Power Supply Configuration

In an N+1 configuration, the chassis contains a total number of power supplies to satisfy system power requirements, plus one additional power supply for redundancy.



Note In an N+1 configuration, a maximum power of 14kW is delivered with five PSUs configured as Active while the remaining one PSU is in standby mode. The 14kW maximum delivered power is only possible at high input voltage range (200-240VAC). In low input voltage range (100-127VAC nominal), the maximum delivered power would be 7kW.

N+1 configuration is configured when:

- Of the six total PSUs that are participating in N+1 configuration, five are turned on and configured to operate in Active mode
- All five active PSUs equally share the power load for the chassis.
- The remaining PSU is turned on and configured to provide Standby power to the chassis so that the power supply can take over operation if one power supply should fail, as long the number of operating power supplies does not drop below the required minimum.

If one Active power supply should fail, the surviving supplies can provide power to the chassis, until the Standby power supply can be switched to Active status. In addition, Cisco Intersight turns on any "turned-off" power supplies to bring the system back to N+1 status. The system will continue to operate, giving you a chance to replace the failed power supply.

N+2 Power Supply Configuration

In an N+2 configuration, the chassis contains a total number of power supplies to satisfy system power requirements, plus two additional power supplies for redundancy.



Note In N+2 redundant mode, a maximum power load of 11.2KW is supported with four active modules. The 11.2KW maximum power load is only possible at high input voltage range (200-240VAC). In low input voltage range (100-127VAC nominal), the maximum delivered power would be 5.6KW.

An N+2 configuration occurs when:

- Of the six total PSUs that are participating in the N+2 configuration, four are turned on and configured to operate in Active mode

- All four active PSUs equally share the power load for the chassis.
- The remaining two PSUs are turned on and configured to provide Standby power to the chassis so that the power supplies can take over operation if two power supplies should fail, as long the number of operating power supplies does not drop below the required minimum.

If one or two power supplies should fail, the surviving supplies can provide power to the chassis. In addition, the Cisco Intersight interface supports turning on any "turned-off" power supplies to bring the system back to N+2 status.

Grid Configuration

With grid power configuration (also called N+N redundancy), each set of three PSUs has its own input power circuit, so each set of PSUs is isolated from any failures that might affect the other set of PSUs. If one input power source fails, causing a loss of power to three power supplies, the surviving power supplies on the other power circuit continue to provide power to the chassis.



Caution Grid redundant mode requires the chassis load to be limited to 8.4KW for high input voltage range (200-240VAC) and 4.2KW for low input power range for a maximum grid configuration (3+3). For a 2+2 minimum configuration, the chassis load is limited to 5.6KW for high line input voltage and 2.8KW for low line input voltage.

Grid redundant mode is configured when:

- all six PSUs are in Active mode to provide power
- two sets of three PSUs are each connected to separate facility input power sources, including separate cabling for each set
- For grid redundant mode, the total number of PSUs should always be divided equally. So, a grid power configuration supports 3+3 (maximum configuration per input power source) or 2+2 (minimum configuration per power input source).

The grid power configuration is sometimes used when you have two separate facility input power sources available to a chassis. A common reason for using this power supply configuration is if the rack power distribution is such that power is provided by two PDUs and you want redundant protection in the case of a PDU failure.

LEDs

LEDs on both the chassis and the modules installed within the chassis identify operational states, both separately and in combination with other LEDs.

LED Locations

The UCS X9508 server chassis uses LEDs to indicate power, status, location/identification. Other LEDs on IFMs, PSUs, fans, and compute nodes indicate status information for those elements of the system.

Figure 9: LEDs on a Cisco UCS X9508 Server Chassis—Front View

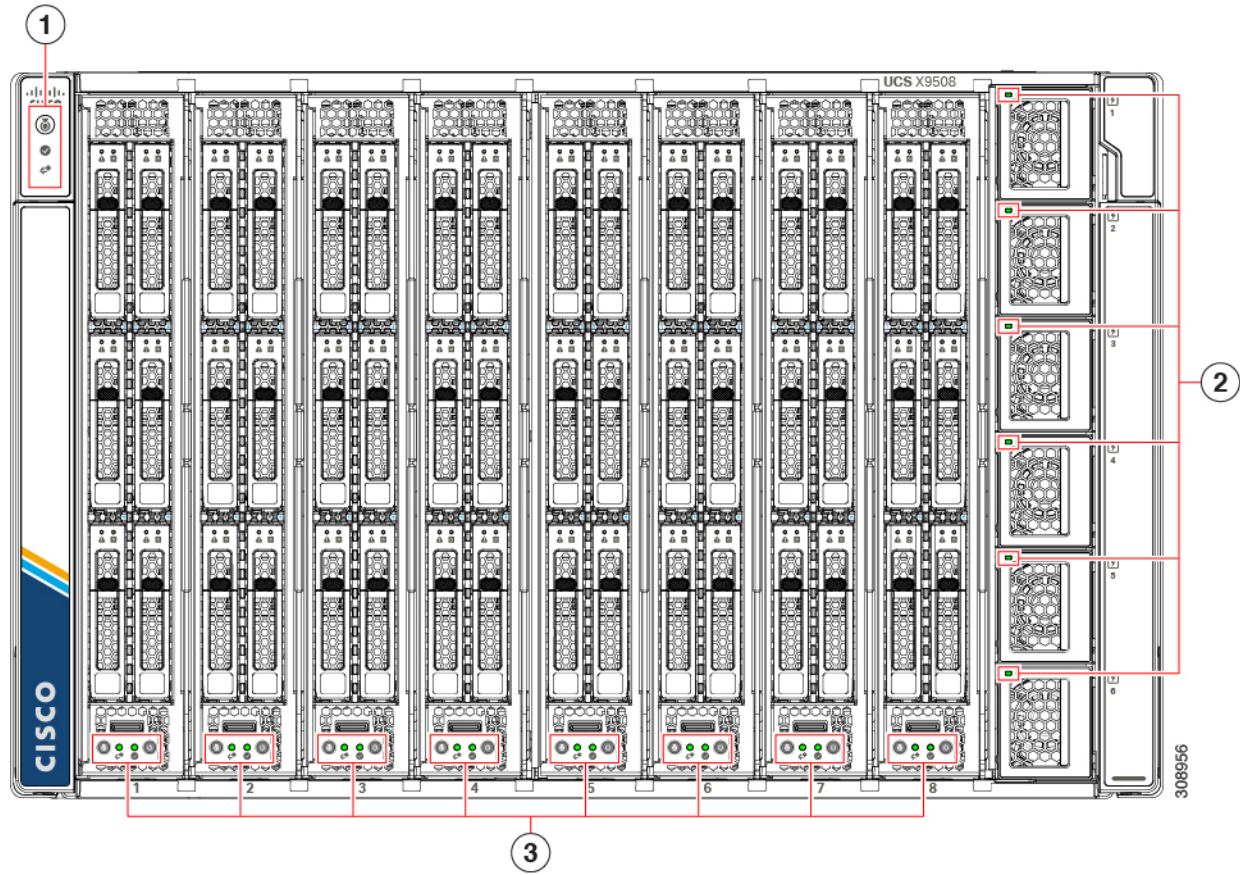
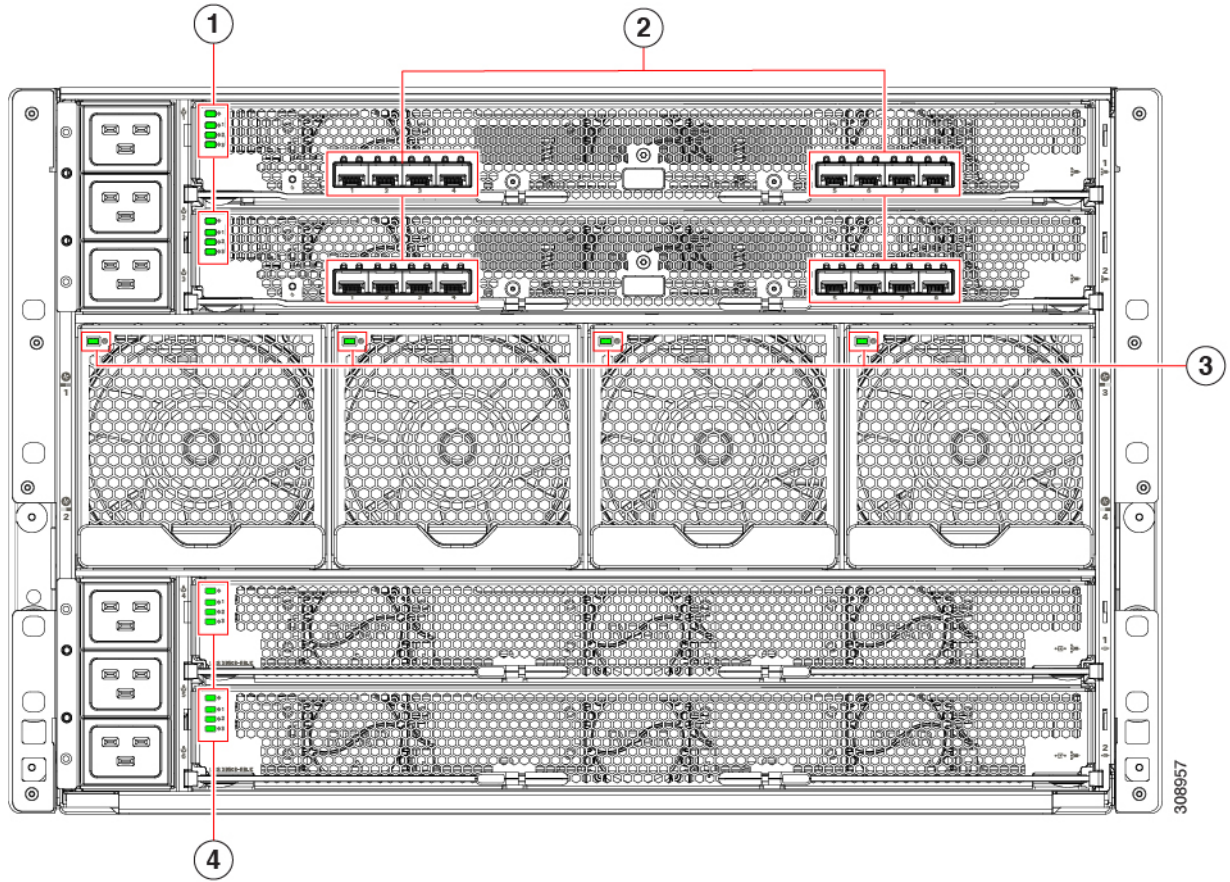






Figure 10: LEDs on the Cisco UCS X9508 Server Chassis—Rear View



Interpreting LEDs

Table 2: Chassis, System Fans, and Power Supply LEDs

LED	Color	Description
Locator LED and button (callout 1 on the chassis front panel)	Off	Locator not enabled.
	Blue	Locates a selected chassis You can initiate beaconing in UCS Intersight or with the button, which toggles the LED on and off.
Network Status (callout 1 on the chassis front panel)	Off	Network link state undefined.
	Solid Green	Network link state established on at least one IFM, but no traffic detected.
	Blinking Green	Network traffic detected on at least one IFM.

LED	Color	Description
System Status (callout 1 on the chassis front panel) 	Solid amber	Chassis is in a degraded operational state. For example: <ul style="list-style-type: none"> • Power Supply Redundancy Lost • Mismatched Processors • 1 on N Processors Faulty • Memory RAS Failure • Failed Storage Drive/SSD
	Solid Green	Normal operating condition.
	Blinking Amber	Chassis is in a critical error state. For example: <ul style="list-style-type: none"> • Boot Failure • Fatal Processor and/or bus error detected • Loss of both I/O Modules • Over Temperature Condition
	Off	System is in an undefined operational state or not receiving power.
Fan Module (callout 3 on the Chassis Rear Panel) 	Off	No power to the chassis or the fan module was removed from the chassis.
	Amber	Fan module restarting.
	Green	Normal operation.
	Blinking amber	The fan module has failed.


LED	Color	Description
Power Supplies, each has one a bicolor LED (callout 2 on the Chassis Front Panel) 	Off	Power supply is not fully seated, so no connection exists.
	Green	Normal operation.
	Blinking green	AC power is present, but the power supply is in Standby mode.
	Amber	Any fault condition is detected. Some examples: <ul style="list-style-type: none"> • Over or under voltage • Over temperature alarm • Power supply has no connection to a power cord.
	Blinking Amber	Any warning condition is detected. Some examples: <ul style="list-style-type: none"> • Over voltage warning • Over temperature warning

Table 3: Intelligent Fabric Module and Rear Module Blank LEDs









LED	Color	Description
Module Status (callout 1 and 4 on the Chassis Rear Panel) 	Off	No power.
	Green	Normal operation.
	Amber	Booting or minor temperature alarm.
	Blinking amber	POST error or other error condition.
Module Fans (callout 1 and 4 the Chassis Rear Panel) 	Off	Link down.
	Green	Link up and operationally enabled.
	Amber	Link up and administratively disabled.
	Blinking amber	POST error or other error condition.

Table 4: Compute Node Server LEDs

LED	Color	Description
Compute Node Power (callout 3 on the Chassis Front Panel) 	Off	Power off.
	Green	Normal operation.
	Amber	Standby.
Compute Node Activity (callout 3 on the Chassis Front Panel) 	Off	None of the network links are up.
	Green	At least one network link is up.
Compute Node Health (callout 3 on the Chassis Front Panel) 	Off	Power off.
	Green	Normal operation.
	Amber	Degraded operation.
	Blinking Amber	Critical error.
Compute Node Locator LED and button (callout 3 on the Chassis Front Panel) 	Off	Locator not enabled.
	Blinking Blue 1 Hz	Locates a selected compute node—If the LED is not blinking, the compute node is not selected. You can initiate the LED in UCS Intersight or by pressing the button, which toggles the LED on and off.
Drive Activity 	Off	Inactive.
	Green	Outstanding I/O to disk drive.
Drive Health 	Off	No fault detected, the drive is not installed, or it is not receiving power.
	Amber	Fault detected
	Flashing Amber 4 Hz	Rebuild drive active. If the Drive Activity LED is also flashing amber, a drive rebuild is in progress.

Optional Hardware Configuration

As an option, the server chassis can support a GPU-based PCIe node, the Cisco UCS X440p PCIe Node, that pairs with each Cisco UCS X-Series compute node to provide GPU acceleration.

Each PCIe node supports contains:

- A GPU adapter card supporting zero, one or two, Cisco T4 GPUs (UCSX-GPU-T4-MEZZ).

Each GPU is connected directly into the GPU adapter card by a x8 Gen 4 PCI connection.

- A storage adapter and riser card supporting zero, one, or two U.2 NVMe drives. NVMe RAID is supported through Intel VROC key.



Note For the server chassis to support any number of Cisco UCS X440p PCIe Nodes, both Cisco UCS X9416 Fabric Modules must be installed to provide proper PCIe signaling and connectivity to the node slots on the front of the server chassis.

- For information about the optional Cisco UCS X440p PCIe module, go to [Cisco UCS X440p PCIe Node Installation and Service Guide](#).
 - For information about the Cisco UCS X9416 Fabric Module, see [Cisco UCS X9416 Fabric Module, on page 10](#).
-



CHAPTER 2

Installation

This chapter contains the following topics:

- [Installation Notes and Warnings for the Cisco UCS X9508 Server Chassis, on page 23](#)
- [Rail Installation Templates, on page 35](#)
- [Installing Cage Nuts, on page 37](#)
- [Rail Kits, on page 40](#)
- [Installing the Chassis, on page 43](#)
- [Removing the Chassis from a Rack, on page 77](#)
- [Repacking the Chassis, on page 77](#)

Installation Notes and Warnings for the Cisco UCS X9508 Server Chassis

The following notes and warnings apply to all installation tasks:



Note Before you install, operate, or service the system, see the [Regulatory Compliance and Safety Information for Cisco UCS](#) for important safety information.



Caution The chassis can be shipped either empty or pre-populated. If the chassis is shipped pre-populated, do not remove the X-Fabric Modules in the two bottom rear slots. Other rear components, such as Intelligent Fabric Modules and fan modules should be removed to lighten the weight of the chassis.

On the front of the chassis, such as PSUs and Compute Nodes, can be removed to lessen the overall chassis weight before installation. However, even with compute nodes and PSUs removed, the chassis still has considerable weight. So make sure to use a scissors jack, equipment lift, or other machinery to bear the weight of the chassis during installation.

**Warning** IMPORTANT SAFETY INSTRUCTIONS

This warning symbol means danger. You are in a situation that could cause bodily injury. Before you work on any equipment, be aware of the hazards involved with electrical circuitry and be familiar with standard practices for preventing accidents. Use the statement number provided at the end of each warning to locate its translation in the translated safety warnings that accompanied this device. Statement 1071

SAVE THESE INSTRUCTIONS

Warning This unit is intended for installation in restricted access areas. A restricted access area can be accessed only through the use of a special tool, lock and key, or other means of security. Statement 1017



Warning Only trained and qualified personnel must be allowed to install, replace, or service this equipment. Statement 1030



Important Watch your hands and fingers whenever you handle the chassis, modules, nodes, and components! Narrow vertical or horizontal spaces in situations like, but not limited to, moving the chassis into or out of the shipping container or equipment rack can cause pinch hazards for your hands and fingers.

Although they do not eliminate the possibility of pinching, the chassis has defined grasp points to facilitate handling and moving it. For information about chassis grasp points, see [Handling the Chassis, on page 27](#).



Note Do not lift or handle the chassis by the top rear sheet metal, as indicated by the DO NOT LIFT label on the top rear surface.

Rack Requirements

This section provides the requirements for installing in a standard open rack, assuming an external ambient air temperature range of 41 to 95°F (5 to 35°C):



Note Do not use racks that have obstructions. These obstructions could impair access to field-replaceable units (FRUs).

Cisco UCS is compliant with any EIA-310-D/E compliant rack. Your equipment racks must also be compliant with EIA-310-D/E standard.

The Cisco UCS X9508 chassis can be installed in either a 9.5 mm square-hole rack or a 7.1 mm unthreaded round-hole rack. These racks require either square-hole cage nuts or round-hole cage nuts (also called spring nuts), respectively. Cage nuts and spring nuts are not provided by Cisco. They should have accompanied your equipment rack. Use the proper cage nut or spring nut for your rack.



Caution Some racks might be tapped, with threaded holes drilled directly into the rack's sheetmetal instead of square- or round-hole punchouts for cage nuts. The rail kit for the server is not currently supported in tapped (threaded hole) racks. Do not attempt to install the chassis in a tapped (threaded hole) equipment rack.

Also, be aware of these additional requirements:

- The tool-less rack-mount kits (either Type 1 or Type 2) shipped with the chassis are required. The adjustable rack rails shipped with each enclosure extend from 29 inches (73.66 cm) to 35 inches (88.9 cm)
- Front and rear doors—If your equipment rack includes closing front and rear doors, the doors must have 65 percent open perforated area evenly distributed from top to bottom to permit adequate airflow.



Caution Always use blanking panels to fill all remaining empty front panel U-spaces in the rack. This arrangement ensures proper airflow. Using a rack without blanking panels results in improper cooling that can lead to thermal damage.

The rack must also meet the following requirements:

- The minimum available vertical rack space per chassis must be seven RU (rack units), equal to 12.25 inches (31.2 cm).

Airflow Considerations

Airflow through the chassis is from front to back. Air enters the chassis through the nodes and power supply grills at the front of the chassis and exits through the fan modules on the back of the chassis. To ensure proper airflow, follow these guidelines:

- Maintain ambient airflow throughout the data center to ensure normal operation.
- Consider the heat dissipation of all equipment when determining air-conditioning requirements. Do not allow the exhaust of one system to be the intake for another system.
- When evaluating airflow requirements, take into consideration that the hot air generated by equipment at the bottom of the rack can be drawn in the intake of the equipment above.
- Make sure that the exhaust at the rear of the chassis is unobstructed for at least 24 in. (61 cm). This includes obstruction due to messy cabling practices.
- If an enclosed rack is used, the front door must be 65 percent perforated to ensure adequate airflow to the nodes.

Earth Ground Considerations

Earth Ground Compliance

- ⚡

Warning This equipment must be grounded. Never defeat the ground conductor or operate the equipment in the absence of a suitably installed ground conductor. Contact the appropriate electrical inspection authority or an electrician if you are uncertain that suitable grounding is available. Statement 1024
- ⚡

Warning For Nordic countries (Norway, Finland, Sweden and Denmark) this system must be installed in a Restricted Access Location, where the voltage of the main ground connection of all equipment is the same (equipotential earth) and the system is connected to a grounded electrical outlet. Statement 328
- ⚡

Warning High leakage current – earth connection essential before connection to system power supply. Statement 342
- ⚡

Warning This equipment must be externally grounded using a customer-supplied ground wire before power is applied. Contact the appropriate electrical inspection authority or an electrician if you are uncertain that suitable grounding is available. Statement 366

Ground Lug

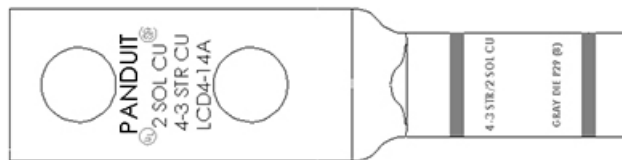
Connecting the chassis to earth ground is completed by installing a grounding bracket, assembling the ground wire and ground lug, then screwing the ground lug and ground wire to the grounding bracket.

The ground lug is provided in the accessory kit. If needed, additional ground lugs are available through third-party retailers, such as Panduit.



Note The following information is for standard AC power installations in North America. Your location might require different specifications. Make sure that you are using the correct ground lug and ground cable for your location.

The ground lug must be a two-stud, copper barrel lug like the example shown below.





Note The positive and negative wires can be installed pointing either to the right or to the left as long as the terminal cover is used.

Panduit LCD4-14A-L connectors (or equivalent) may be used supply and return wires, and Panduit LCD4-14A or equivalent connectors may be used for the 90-degree ground lug wire. Both connections have double lugs with .25-inch holes measuring .625 inches from center to center.

Handling the Chassis

As a best practice, handle the chassis when it is empty, and use either a scissors jack or multiple people to bear the weight.

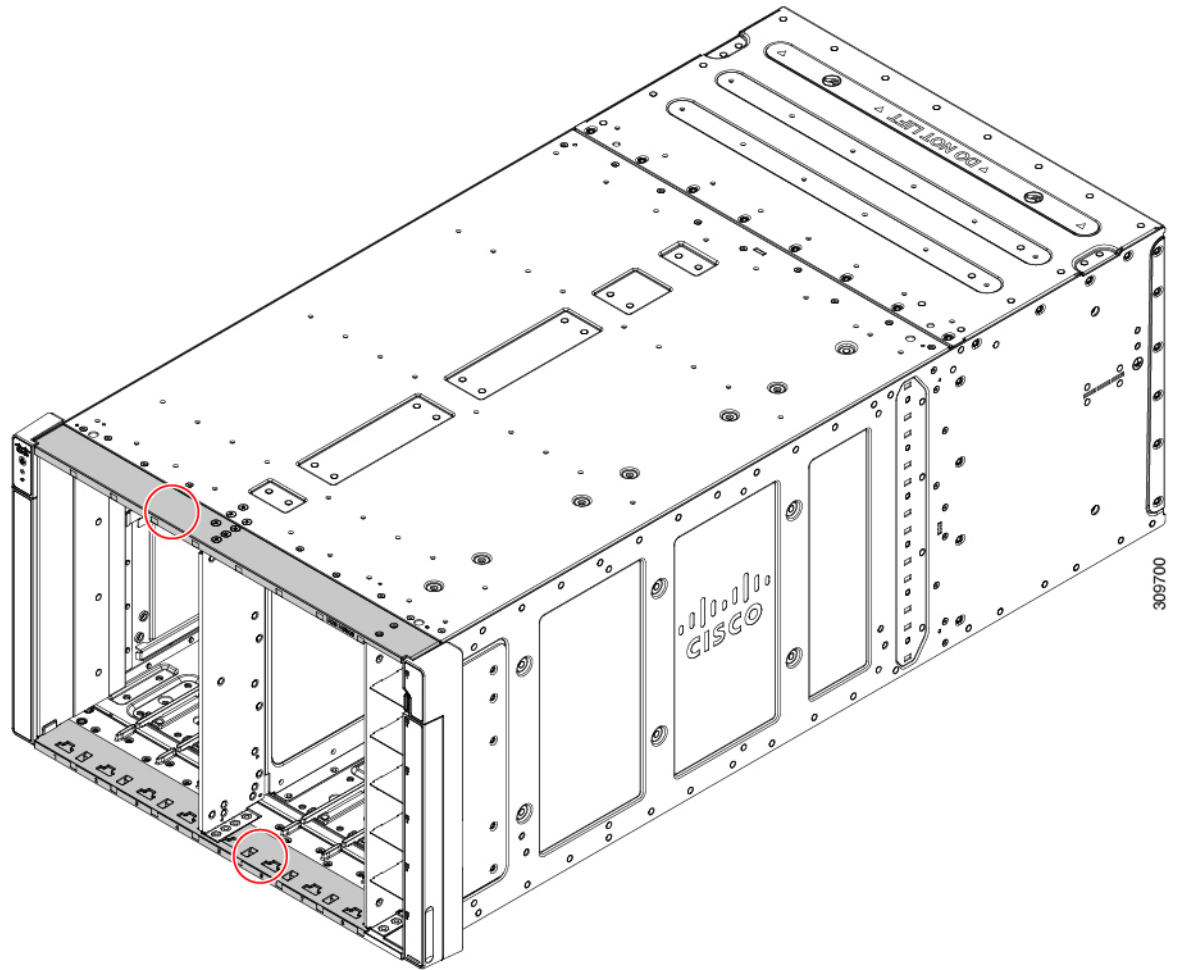
The Cisco UCS X9508 has defined areas for holding the chassis (grasp points). Grasp points are not indicated on the chassis itself, but facilitate handling or moving the chassis.

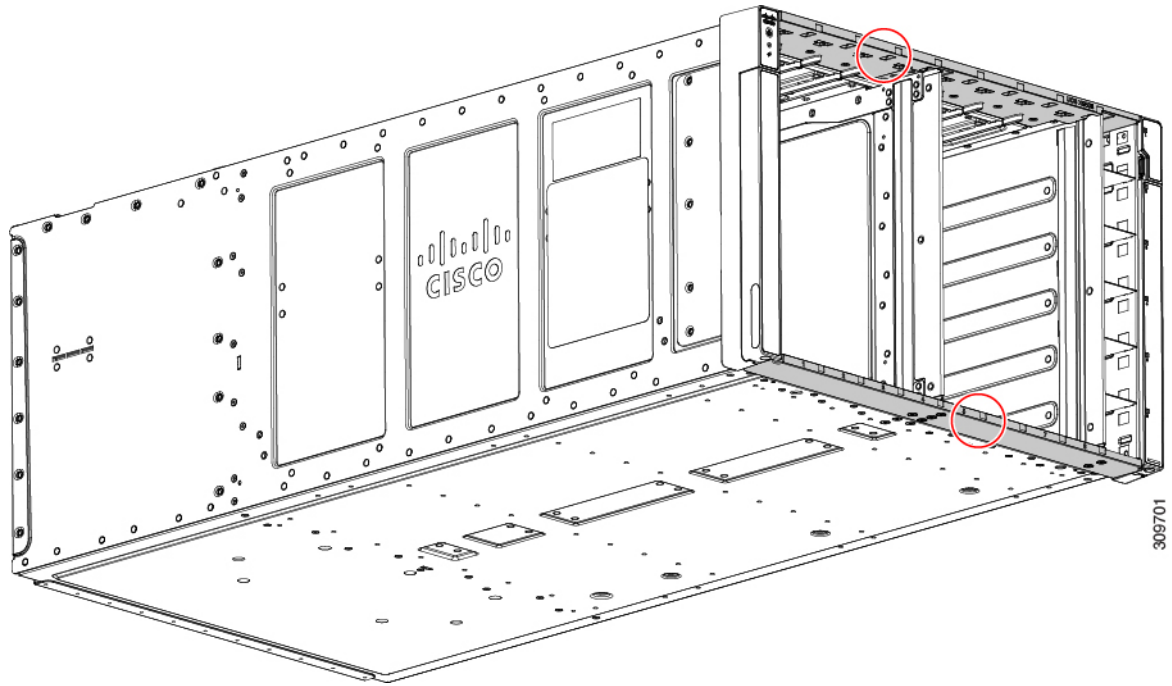


Important Watch your hands and fingers whenever you handle the chassis, modules, nodes, and components! Narrow vertical or horizontal spaces in situations including, but not limited to, moving the chassis into or out of the shipping container or equipment rack can cause pinch hazards for your hands and fingers.

Use the following grasp points when handling the chassis.

- Front grasp points, horizontal

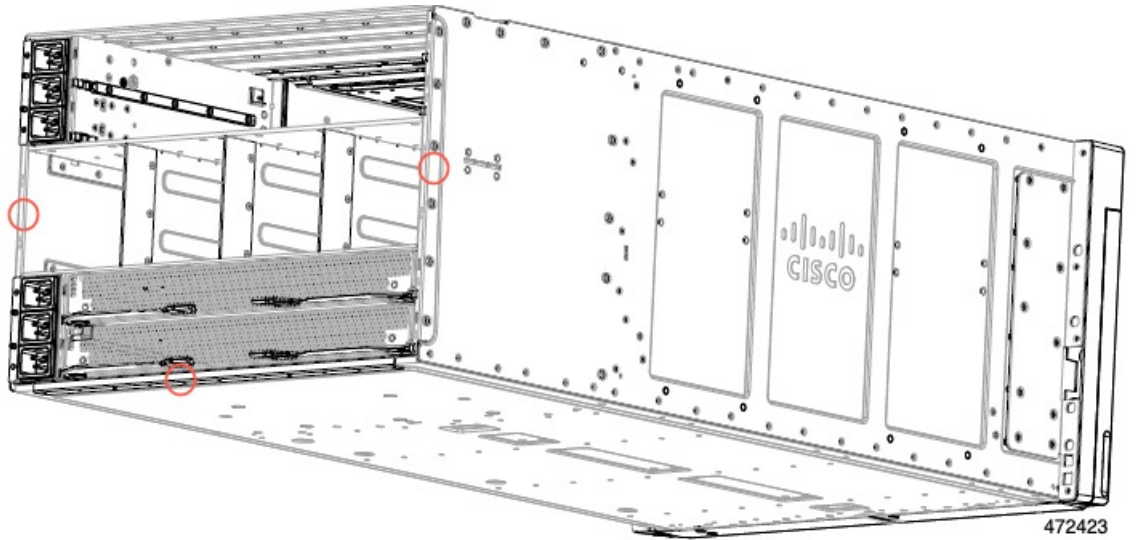




- Rear grasp points



Note Do not lift or handle the chassis by the top rear sheet metal, as indicated by the DO NOT LIFT label on the top rear surface.



Moving Server Chassis

A fully configured chassis is very heavy! Be aware of its weight, and follow these guidelines:

**Caution**

Do not try to lift the chassis without mechanical assistance! The chassis weighs 400 lbs (181.43 kg) fully configured and 92 lbs (41.73 kg) empty. If available, use a scissor jack or other lifting device designed for installing heavy equipment into data center racks.

- Disconnect all power and external cables before lifting the chassis.
- Remove all IFMs, fan modules, power supplies and compute nodes from the chassis before lifting. If XFMs are installed, do not remove them. Instead, leave them in the chassis during installation.
- Ensure that your footing is solid, and the weight of the system is evenly distributed between your feet.
- If you must lift an empty chassis, do not attempt this alone. Get assistance from at least one other person. Lift the system slowly, keeping your back straight. Lift with your legs, not with your back. Bend at the knees, not at the waist.

Installation Guidelines

When installing the chassis, follow these guidelines:

- Plan your site configuration and prepare the site before installing the chassis. See [Site Planning and Maintenance Records, on page 167](#) for the recommended site planning tasks. For details, see the [Cisco UCS Site Preparation Guide](#).
- Record the information listed in [Site Planning and Maintenance Records, on page 167](#) as you install and configure the chassis.
- Ensure that there is adequate space around the chassis to allow for servicing the chassis and for airflow.
- Ensure that the air-conditioning meets the heat dissipation requirements listed in [Technical Specifications, on page 153](#)
- Ensure that the cabinet or rack meets the requirements listed in [Rack Requirements, on page 24](#).

**Note**

Jumper power cords are available for use in a rack. See [Specifications for the Cisco UCS X9508 Chassis Power Supply Units, on page 157](#).

- Ensure that the site power meets the power requirements listed in [Technical Specifications, on page 153](#). We recommend that you use a UPS to protect the UCS system. Using an unprotected supply exposes you to a risk of system failure due to input supply voltage variations or failures.

Avoid UPS types that use ferroresonant technology. These UPS types can become unstable with systems such as the Cisco UCS, which can have substantial current draw fluctuations due to fluctuating data traffic patterns.

- Ensure that circuits are sized according to local and national codes. For North America, the power supply requires a 20 A circuit.

To prevent loss of input power, ensure that the total maximum loads on the circuits supplying power to the chassis are within the current ratings for the wiring and breakers.

- Use the following torque values when installing the chassis:

- M6 x 20 mm screws: 48 +/- 5 in-lb

Required Equipment

Before you begin the installation, ensure that you have the following items:

- Scissor jack or other lift device capable of bearing the weight of a fully loaded chassis, which is 400 lbs (181.43 kg).
- Number 1 and number 2 Phillips-head screwdrivers with torque measuring capabilities
- Flat-head screwdriver
- Tape measure and level
- ESD wrist strap or other grounding device
- Antistatic mat or antistatic foam

Unpacking and Inspecting the Chassis


Caution

When handling chassis components, wear an ESD strap and handle modules by the carrier edges only.


Tip

Keep the shipping container in case the chassis requires shipping in the future.


Note

The chassis is thoroughly inspected before shipment. If any damage occurred during transportation or any items are missing, contact your customer service representative immediately.

As part of this procedure, you will be moving an empty chassis out of the shipping container. Be aware of the following precautions:


Note

You will find it helpful to wear gloves when unpacking and lifting the chassis. Also, beware of hand and finger placement while unpacking, lifting, and moving the chassis to avoid possible pinch hazards.


Caution

To lighten the weight of the chassis, remove compute nodes and PSUs from the front of the chassis. Remove the IFMs and fan modules from the rear of the chassis, but leave the XFMs installed in the lower rear slots of the chassis. Even with these parts removed, the chassis still has considerable weight. Always use a scissor jack, equipment lift, or other mechanical device to lift and support the chassis when moving or installing it.

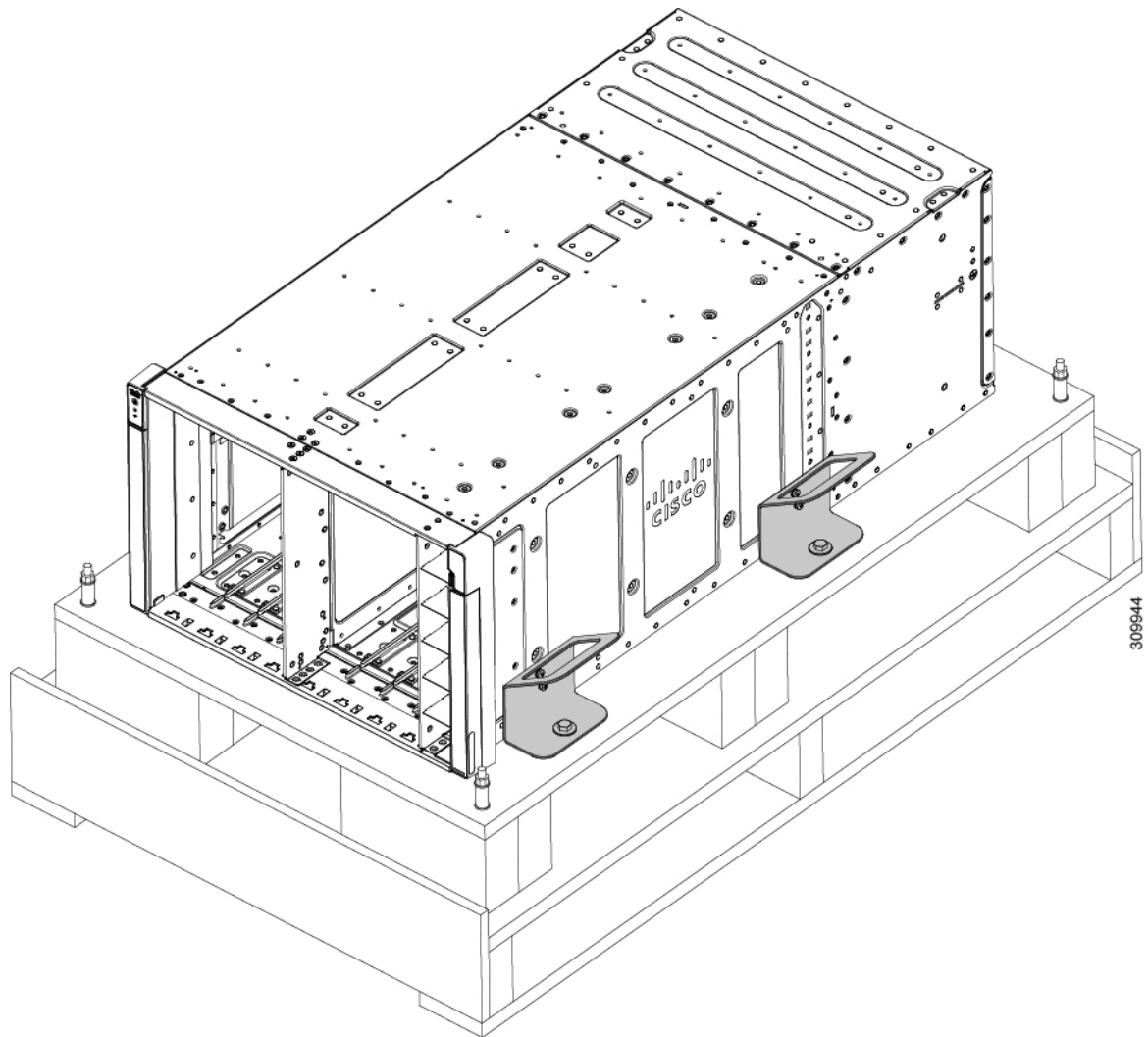
**Warning**

Use two or more people to lift the empty chassis. Do not attempt to lift the chassis by yourself! Always use safe lifting practices when lifting or moving the chassis.

Use a lift or scissors jack to support the chassis when lifting and moving it.

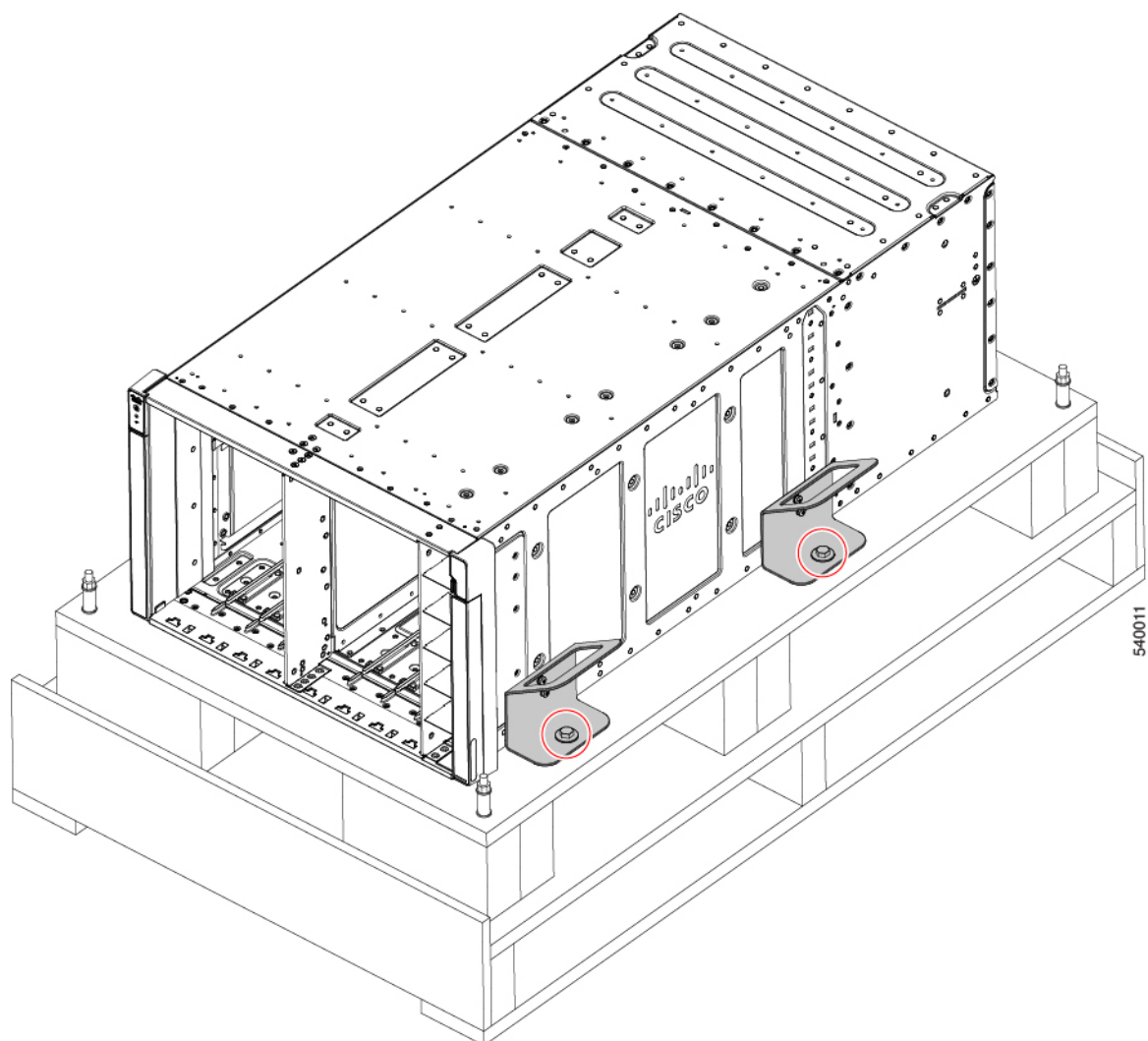
-
- Step 1** Make sure to read and understand the preceding warnings in this topic, as well as the information in the following topics:
- [Installation Notes and Warnings for the Cisco UCS X9508 Server Chassis, on page 23](#)
 - [Handling the Chassis, on page 27](#)
 - [Moving Server Chassis, on page 29](#)
- Step 2** Open the chassis shipping container.
- a) Remove the top and side panels so that the chassis is sitting on the bottom pallet.
 - b) Save all packaging material.
- Step 3** Do a visual inspection of the chassis to ensure there was no damage during transport.
- Step 4** Compare the shipment to the equipment list provided by your customer service representative and verify that you have received the following items:
- Accessory kit, which contains:
 - M6 cage nut (4)
 - M6 x 20mmL screw (16)
 - Power Cable Management Arm (2), UCSX-9508-PCMA
 - ESD Strap (Clip Terminated)
 - Rail Kit, UCSX-9508-RAIL1=
 - Any printed documentation
 - Any optional items, which will be present in the accessory kit only if you ordered them with your system.
 - Rear Mounting Brackets (1 left bracket, 1 right bracket), UCSX-9508-RACKBK. These brackets are optional. They should be ordered only if you plan to install the chassis in shippable rack. If you don't plan on shipping the rack, these brackets are not required.
 - Compute Node Debug Cable, UCSX-C-DEBUGCBL, which is orderable as a customer option.
- Step 5** Verify that all unused node slots and power supply bays have blank covers.
- Step 6** If your chassis was shipped with hardware pre-installed, make sure to remove all compute nodes and PSUs, fans, and IFMs to reduce the chassis weight significantly before lifting it out of the shipping container. Blank faceplates can remain installed. Leave the XFMs installed in the bottom two rear chassis slots.
- Warning** Do not lift a chassis! The chassis has considerable weight even with all modules except the XFMs removed. Use a mechanical lift of scissors jack to lift and bear the weight of the chassis.

Step 7 Locate the chassis handles, which are also the stabilizing brackets that secure the chassis to the bottom pallet.



Step 8 Using a 13-millimeter socket driver, remove the four M8 hex-head securing bolts (two per side).

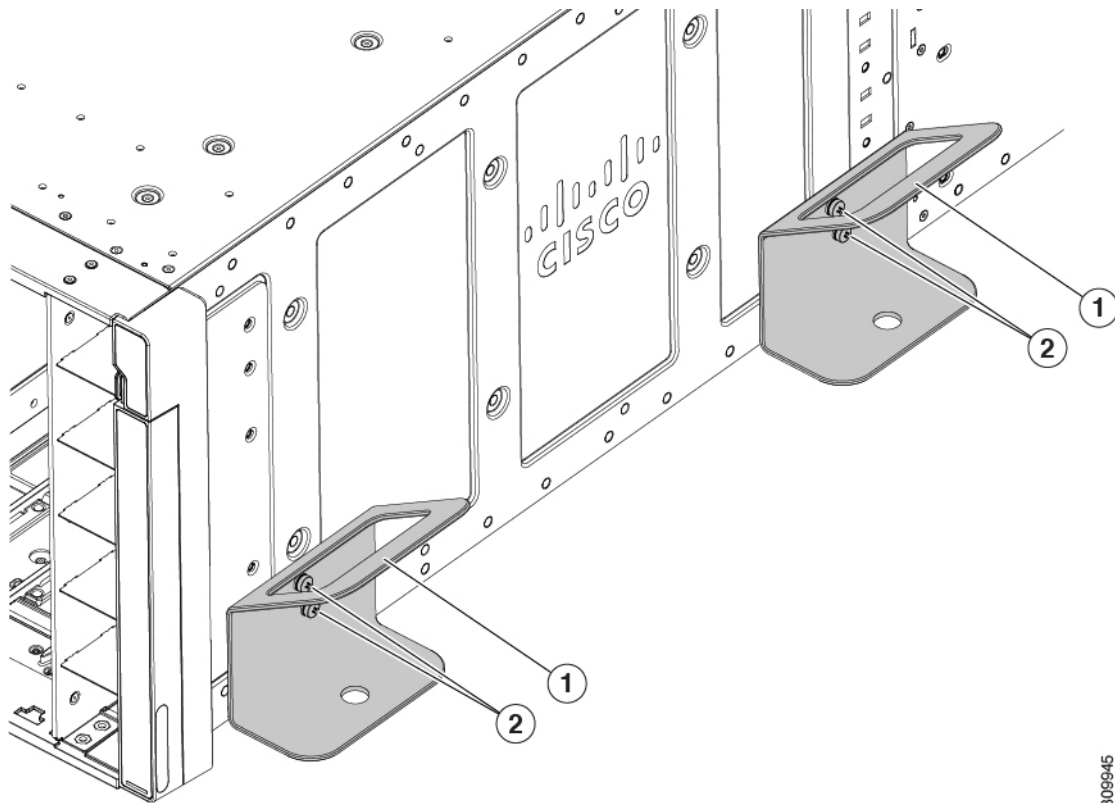
Note Save the securing bolts.



Step 9 With two or more people, grasp the handles, lift the empty chassis off of the bottom palette, and set the chassis onto a lift or scissor jack that can support the chassis weight.

Step 10 Before installing the chassis into an equipment rack, use a #2 Phillips screwdriver to remove the two M5 screws (two per handle) that secure the handles to the chassis.

Note Save the handles and screws.



309946

1	Chassis handles, two per side	2	M5 screws, two per handle
---	-------------------------------	---	---------------------------

Rail Installation Templates

Two rail kits are available, and each shipping container will contain a left and right rail as a matched set. For each rail kit, a corresponding template is provided for reference through the following sections of this document. The templates show the locations on the rack for cage nuts, rail kit locator pegs, and screws should be installed.

The templates facilitate installing the rail kit and chassis by ensuring proper spacing and alignment of installation hardware in both the left and right sides of the rack. The chassis has one template for the front of the rack and one for the back.

Rail installation templates are applicable to either square-hole or round-hole equipment racks.

For each rail installation template, see:

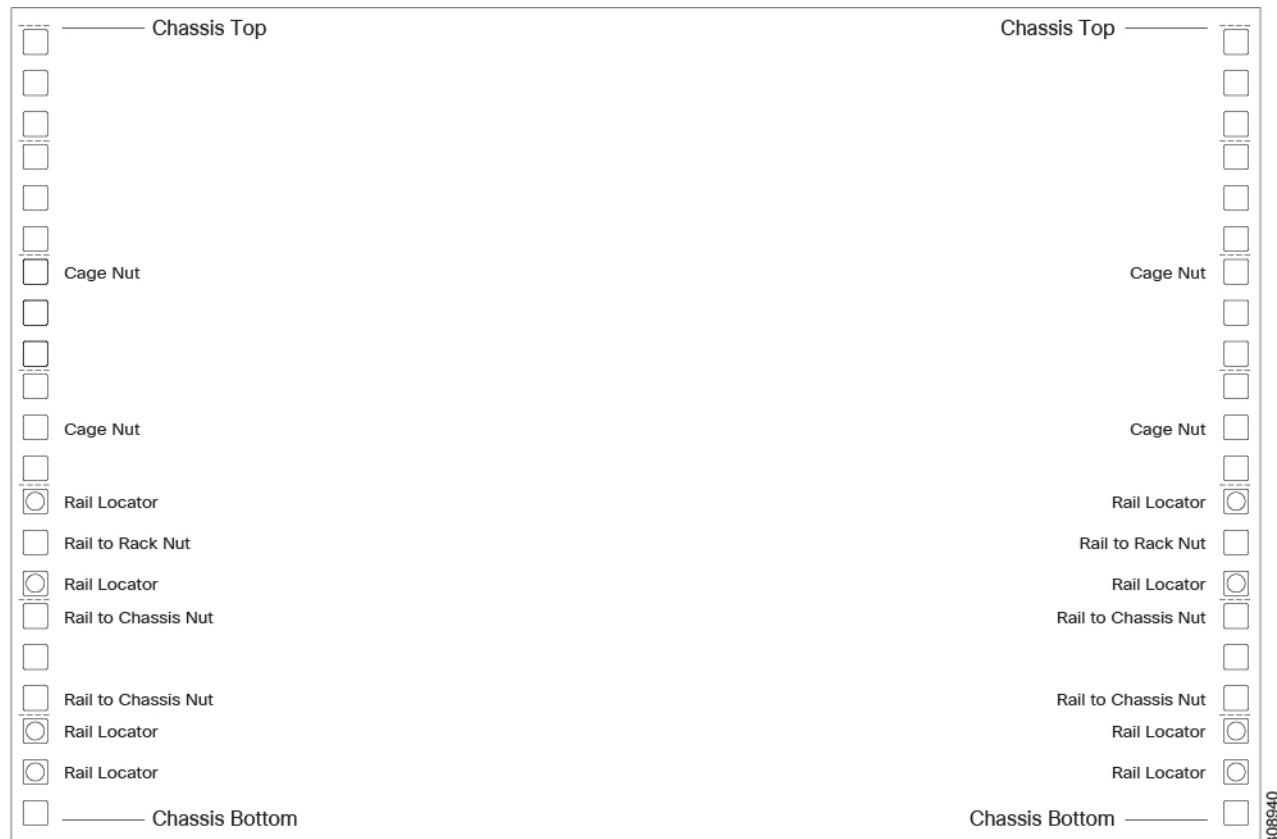
- [Front Install Template, on page 36](#)
- [Rear Install Template, on page 36](#)

Front Install Template

Use this installation to locate the correct spacing and alignment for chassis mounting hardware on the rack. This template shows the rack locations for mounting the front of the chassis.

Align the Chassis Top of the template with the location in the rack where the top of the chassis will be and install the cage nuts and other hardware as shown.

Figure 11: Rack Installation Template, Front



Rear Install Template

Use this installation to locate the correct spacing and alignment for chassis mounting hardware on the rack. This template shows the rack locations for mounting the rear of the chassis.

Align the Chassis Top of the template with the location in the rack where the top of the chassis will be and install the cage nuts and other hardware as shown.

Figure 12: Rack Installation Template, Rear



Note The eight cage nuts shown near the top of the template (four per side) are required only when you are installing the rear tie down brackets, which are an orderable option, but not required for basic installation.

Installing Cage Nuts

The Cisco UCS X9508 chassis can be installed in standard size, untapped equipment racks that have either square or round-holes. For more information, see [Rack Requirements, on page 24](#). The X9508 server is supported on a rail kit which mounts to the square-hole or round hole cage.



Caution For untapped equipment racks, you must install cage nuts to provide a way for mounting screws to secure rails and the chassis to the rack.

Use the appropriate option depending on your type of equipment rack:

- [Installing Cage Nuts, Square-Hole Rack, on page 38](#)
- [Installing Cage Nuts, Round-Hole Rack, on page 39](#)

Installing Cage Nuts, Square-Hole Rack

Use the following task to install twelve, M6x1.00 square-hole cage nuts into a 9.5 mm unthreaded square-hole rack. Spring nuts are not supplied by Cisco. They should have accompanied your equipment rack.

Before you begin

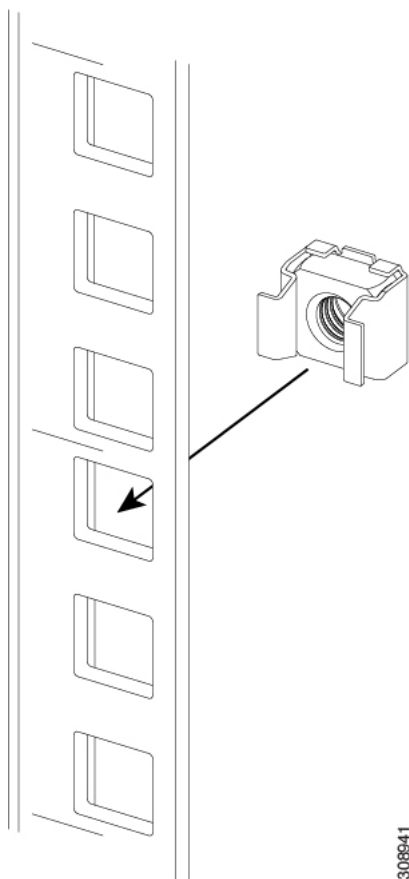
This document provides illustrations of installation templates for the front and rear of the chassis. The templates are designed to show you the proper holes within which the rails and cage nuts should be placed. Once you align the rack holes line up with the template, you should mark the holes on the rack so that they are easy to use.

To use the rack installation templates, go to the appropriate topic:

- [Front Install Template, on page 36](#)
- [Rear Install Template, on page 36](#)

-
- Step 1** Gather the M6 cage nuts and a flat head screwdriver.
- Step 2** Locate the template and refer to the chassis location in the rack and the cage nut locations on the template.
- Step 3** Position one of the curled sides of the cage nut on the inside of the square cutout in the rack.
- Step 4** Press the cage nut into the cutout and use the screwdriver to pinch the other curled edge inward until the cage nut clicks into place in the rack.

Note Cage nuts install on the inside of the rack so that most of the nut is behind the rack's sheet metal.

Figure 13: Cage Nut Installation

Step 5 Verify that the cage nut is fully and correctly installed before installing the remaining cage nuts.

Installing Cage Nuts, Round-Hole Rack

Use the following task to install twelve, M6x1.00 round-hole cage nuts (also called spring nuts) into a 7.1 mm unthreaded round-hole rack. Spring nuts are not supplied by Cisco. They should have accompanied your equipment rack.

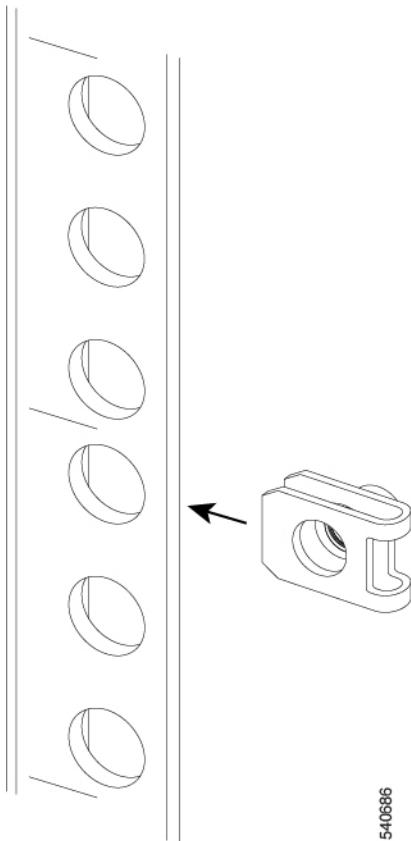
Before you begin

This document provides illustrations of installation templates for the front and rear of the chassis. The templates are designed to show you the proper holes within which the rails and cage nuts (spring nuts) should be placed. Once you align the rack holes line up with the template, you should mark the holes on the rack so that they are easy to use.

To use the rack installation templates, go to the appropriate topic:

- [Front Install Template, on page 36](#)
- [Rear Install Template, on page 36](#)

- Step 1** Gather the M6 spring nuts and a flat head screwdriver.
- Step 2** Using the rack installation template, refer to the chassis location in the rack and the spring nut locations on the template.
- Step 3** Position the open end of the spring nut so that the rack's sheetmetal can slide into the gap between the spring nut's sheetmetal. the cage nut on the inside of the square cutout in the rack.
- Step 4** Slide the spring nut so that its round hole lines up with the round hole in the equipment rack.
- Note** Cage nuts install so that most of the nut is behind the rack's sheet metal.
- Note** If needed, use the flat-head screwdriver to slightly pry open the gap between the spring nut's sheetmetal to allow it to slide onto the rack over the round hole.



- Step 5** Verify that the cage nut is fully and correctly installed before installing the remaining cage nuts.

Rail Kits

The Cisco UCS X9508 supports two rail kits, Type 1 and Type 2.

- Each rail kit consists of two stationary rails that facilitate rack installation of the chassis and stabilize the chassis in the rack.

- Each rail extends to fit the depth of the rack. The rails are not a sliding shelf that allow pulling the chassis out of the rack to gain access to the chassis' sides.
- Each rail kit can fit into either a 9.5 mm square hole equipment rack or a 7.1 mm round-hole equipment rack.



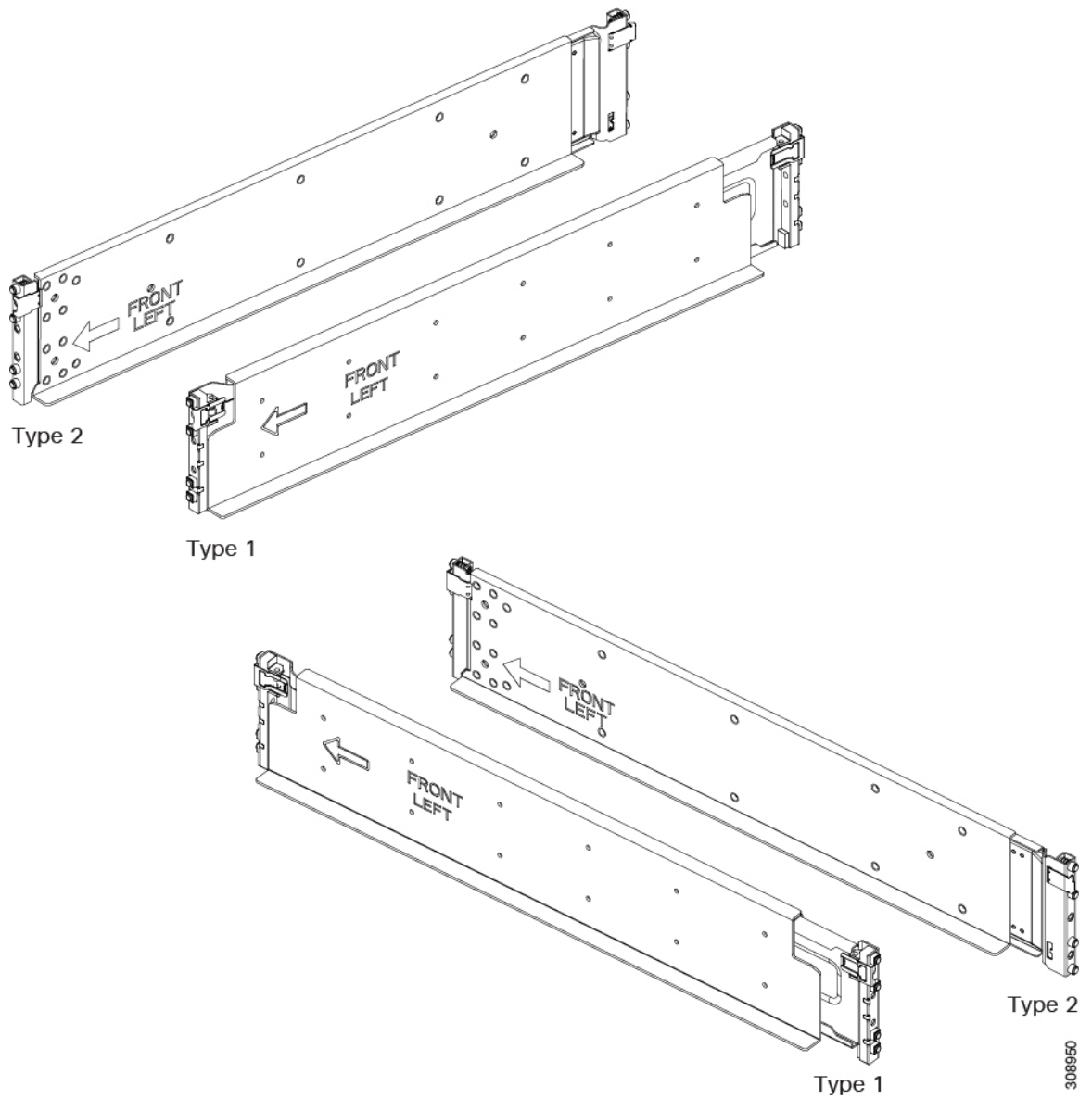
Caution Some racks might be tapped, with threaded holes drilled directly into the rack's sheetmetal instead of square- or round-hole punchouts for cage nuts. The rail kit for the server is not currently supported in tapped (threaded hole) racks. Do not attempt to install the chassis in a tapped (threaded-hole) equipment rack.

The rails are shipped in the accessory kit with each chassis, and each rail kit will contain a left and right side as a matched pair. Both sides must be installed in the rack to securely support the chassis.

If you ordered multiple UCS X9508 chassis, you might receive both types of rail kit. For example, in a shipment of 4 chassis, the shipment might have all one type of rail kit, or a few chassis with each type of rail kit.

Compare the two types of rail kits:

Figure 14: Two Types of Rail Kits



The rail kits are similar in size, function, and construction with a few exceptions:

- the type of release tab at the top corner of the rail
- the type of locator pegs, either round or square depending on whether you have a round-hole or square-hole rack. The locator pegs temporarily hold the rail in the rack to allow free use of both hands.
- the positioning of the screw holes at the rear of the rails

Installing the Chassis

This section describes how to install the chassis in either a square-hole unthreaded or round-hole unthreaded equipment rack. This two-part process consists of installing the rails into the rack, then installing the chassis into the rack and onto the rails.



Caution The fully configured chassis weighs approximately 400s lbs (163.29 kg)! Never attempt to lift the chassis by yourself. Instead, use a chassis lift or some other device to lift and bear the weight of the chassis while you are installing it.



Caution If the rack has wheels, ensure that the brakes are engaged, the stabilizing pads are extended, or that the rack is otherwise stabilized.



Warning The plug-socket combination must be accessible at all times, because it serves as the main disconnecting device. **Statement 1019**



Caution When connecting the chassis to facility power, make sure not to overload the capacity of a PDU or power strip. For example, do not connect all PSUs to one PDU or power strip that is not capable of carrying the total power draw of the chassis.



Important Watch your hands and fingers whenever you handle the chassis, modules, nodes, and components! Narrow vertical or horizontal spaces in situations including, but not limited to, moving the chassis into or out of the shipping container or equipment rack can cause pinch hazards for your hands and fingers.

Although they do not eliminate the possibility of pinching, the chassis has defined grasp points to facilitate handling and moving it. For information about chassis grasp points, see [Handling the Chassis, on page 27](#).



Note To complete the installation, the chassis must be connected to earth ground, which requires a ground lug that Cisco provides, or an equivalent. See "Ground Lug" in [Earth Ground Considerations, on page 26](#).

Where applicable, the following installation topics have options for square-hole and round-hole racks. Pick the appropriate topic based on your rack type.

Installing the Rails, Square-Hole Rack

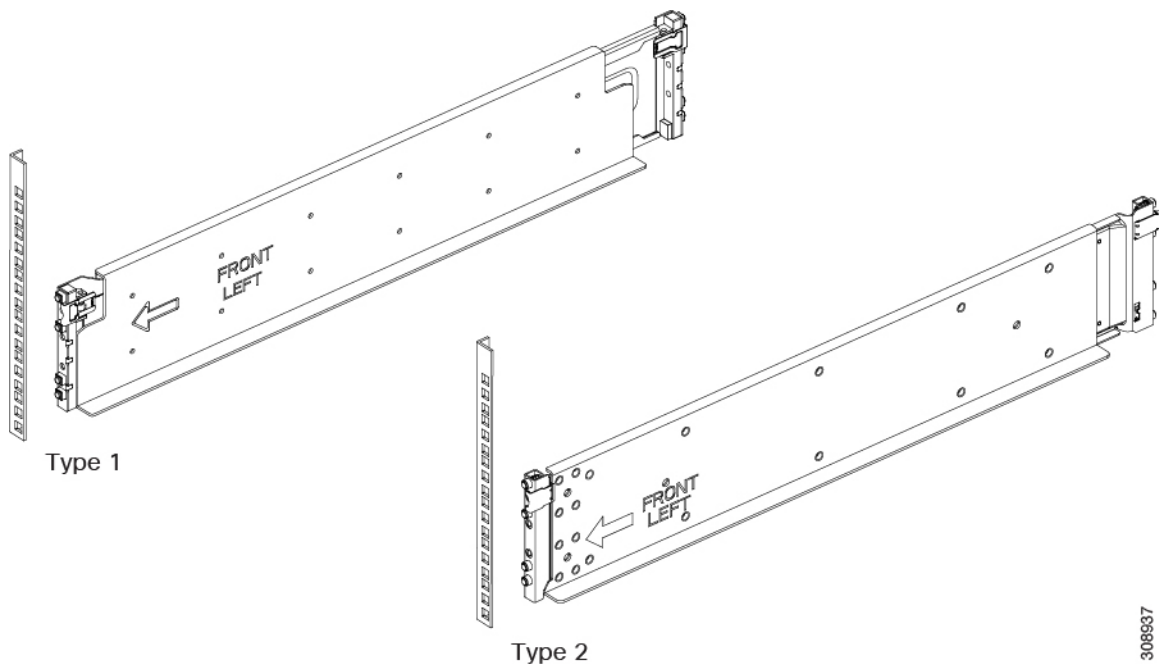
Use the following task to install the rail kit into a square-hole unthreaded equipment rack by using twelve, M6x1.00 square-hole cage nuts.

Before you begin

Make sure that you have marked the correct cage nut and rail locations on the rack by using the illustrations of the rack installation templates. See [Rail Installation Templates, on page 35](#).

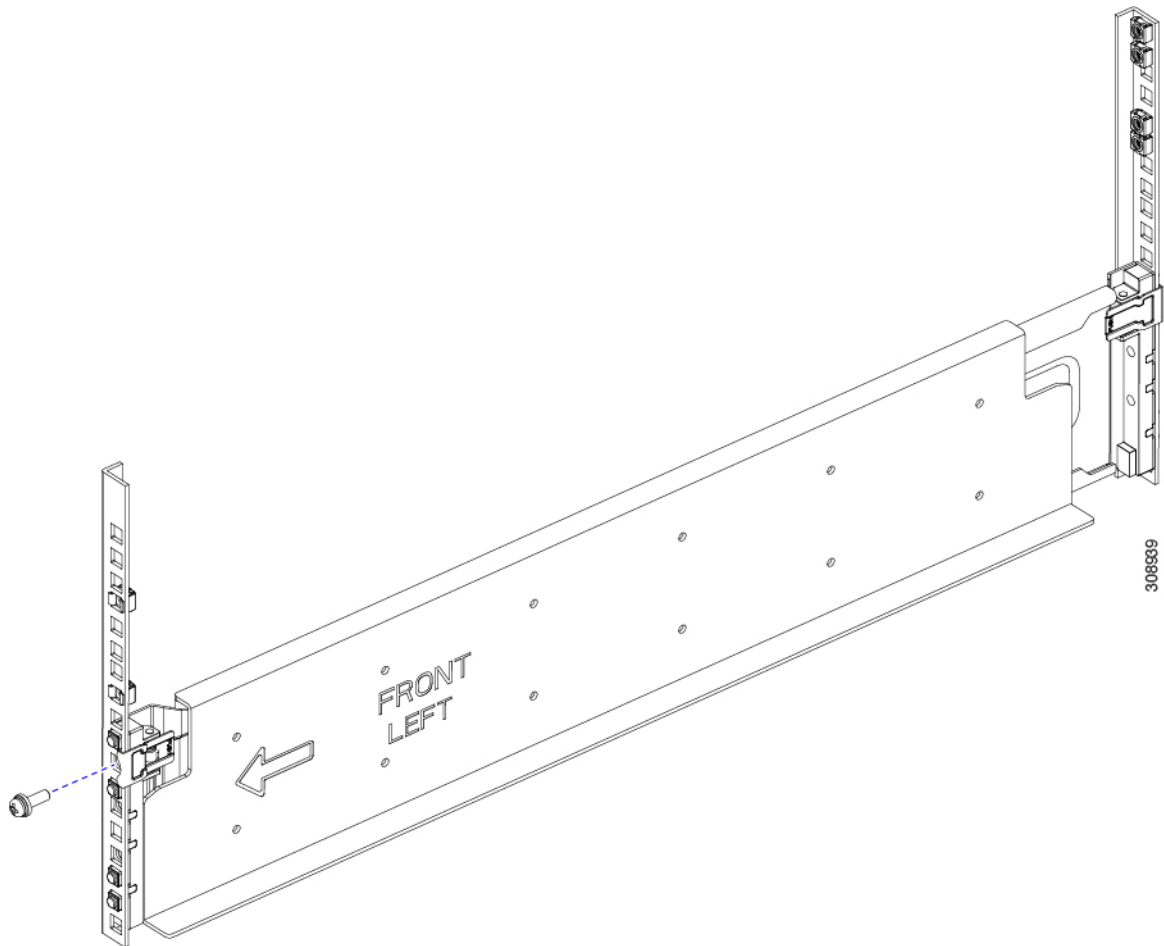
- Step 1** Adjust the length of the rail by sliding the ends of the rail back and forth until they match the depth of the rack.
- Step 2** At the front of the rack, use the front installation template to position the two locator pegs on the rail with the corresponding location in the rack. See [Front Install Template, on page 36](#).
- The locator pegs will hold the rail in the rack so that you don't have to hold the rail in place.
- Step 3** At the rear of the rack, use the rear installation template to position the two locator pegs on the rail with the corresponding location in the rack. See [Rear Install Template, on page 36](#).
- Step 4** Repeat the previous steps to install the other rack rail.

Figure 15: Install Rails into Front of the Rack

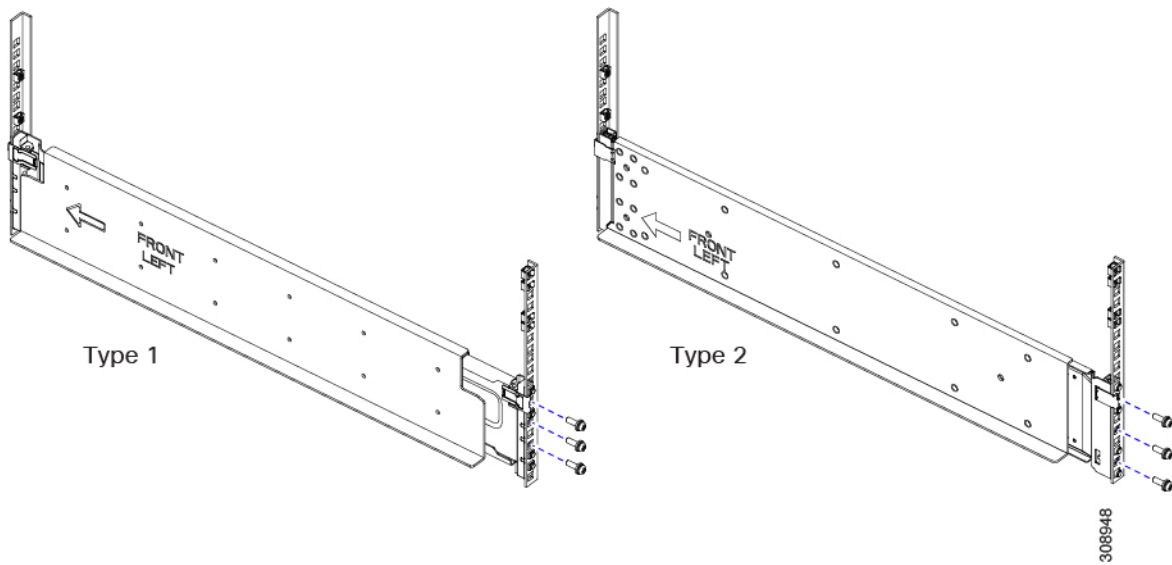


- Step 5** (Optional) Use a tape measure and level to verify that the rack rails are horizontal and at the same height.
- Step 6** At the front of the rack, refer to the template, then insert a screw in each front rail to secure each rail to the rack at the correct location.

Figure 16: Secure the Rail at the Front to the Rack



- Step 7** At the rear of the rack, refer to the template, then insert a screw in each rear rail to secure each rail to the rack at the correct location.

Step 8 *Figure 17: Secure the Rail at the Rear of the Rack***What to do next**

Verify that the rails are correctly installed. See [Rail Installation Layout, Square-Hole Rack](#), on page 49.

Installing the Rails, Round-Hole Rack

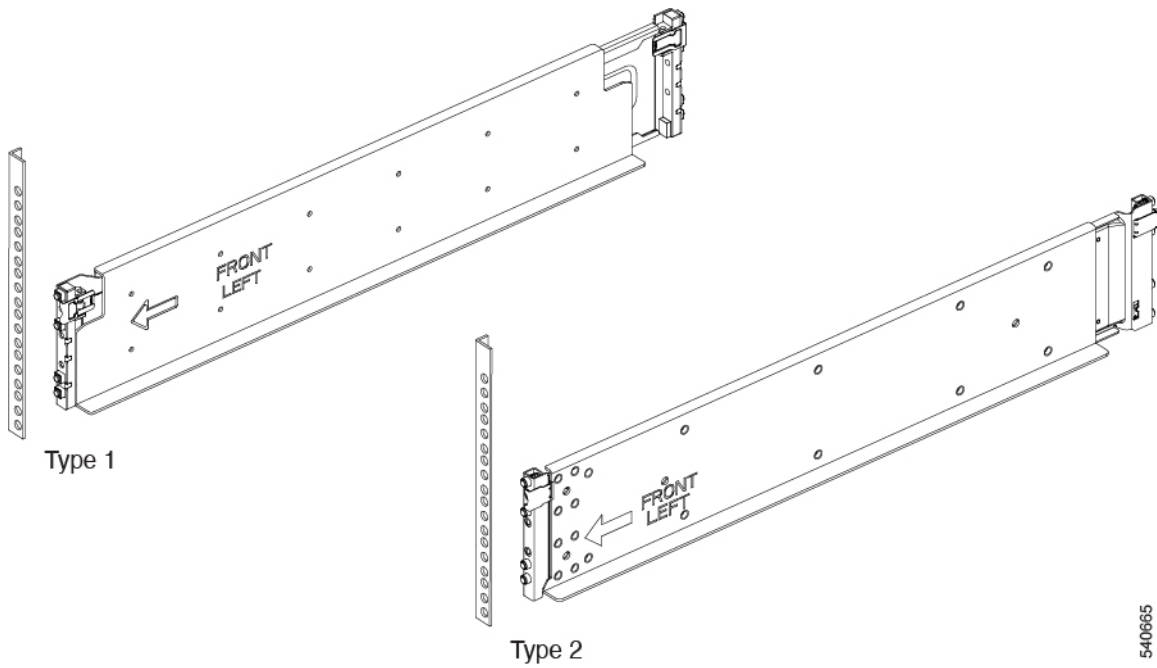
Use the following task to install the rail kit into a round-hole unthreaded equipment rack by using twelve, M6x1.00 round-hole spring nuts.

Before you begin

Make sure that you have marked the correct cage nut (spring nut) and rail locations on the rack by using the illustrations of the rack installation templates. See [Rail Installation Templates](#), on page 35.

- Step 1** Adjust the length of the rail by sliding the ends of the rail back and forth until they match the depth of the rack.
- Step 2** At the front of the rack, use the front installation template to position the two locator pegs on the rail with the corresponding location in the rack. See [Front Install Template](#), on page 36.
- The locator pegs will keep the rail in the rack so that you don't have to hold the rail in place.
- Step 3** At the rear of the rack, use the rear installation template to position the two locator pegs on the rail with the corresponding location in the rack. See [Rear Install Template](#), on page 36.
- Step 4** Repeat the previous steps to install the other rack rail.

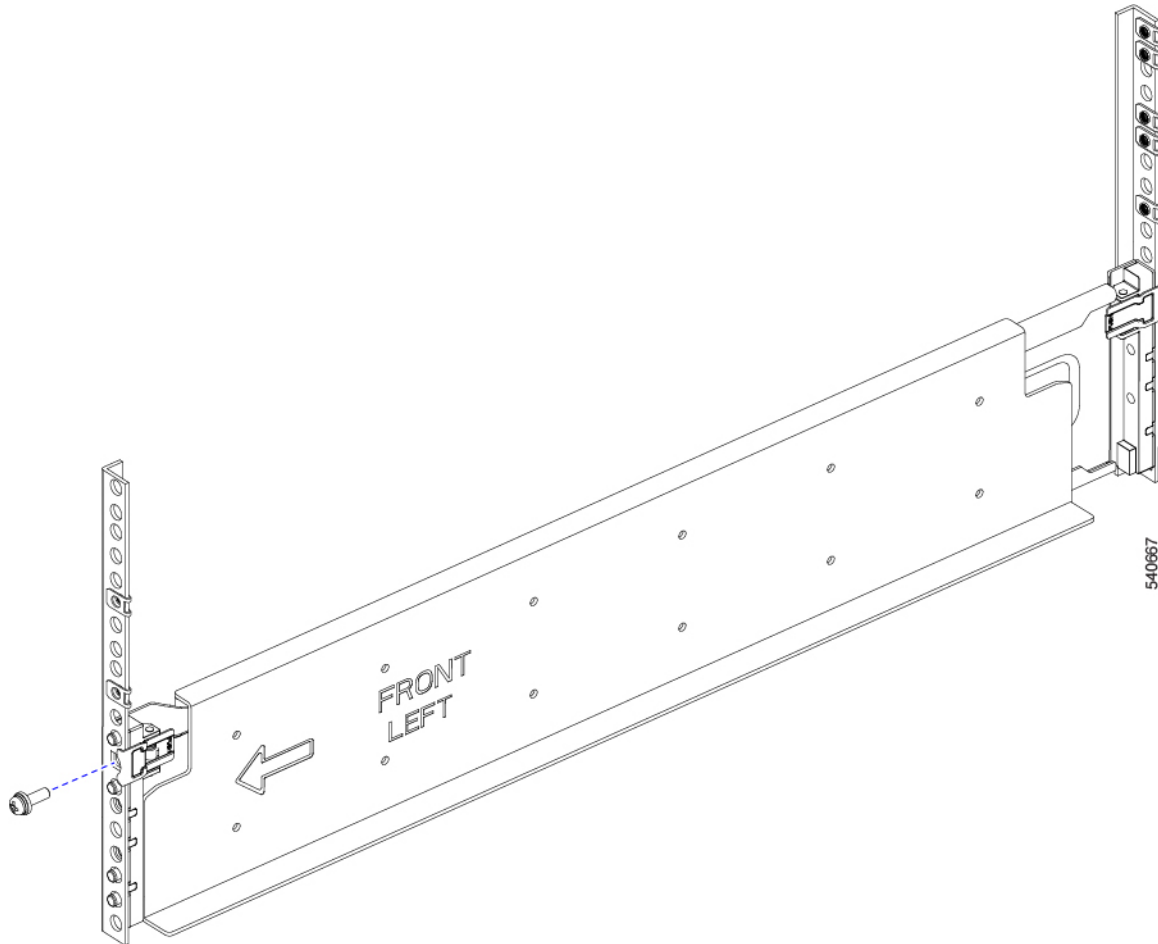
Figure 18: Install Rails into Front of the Rack



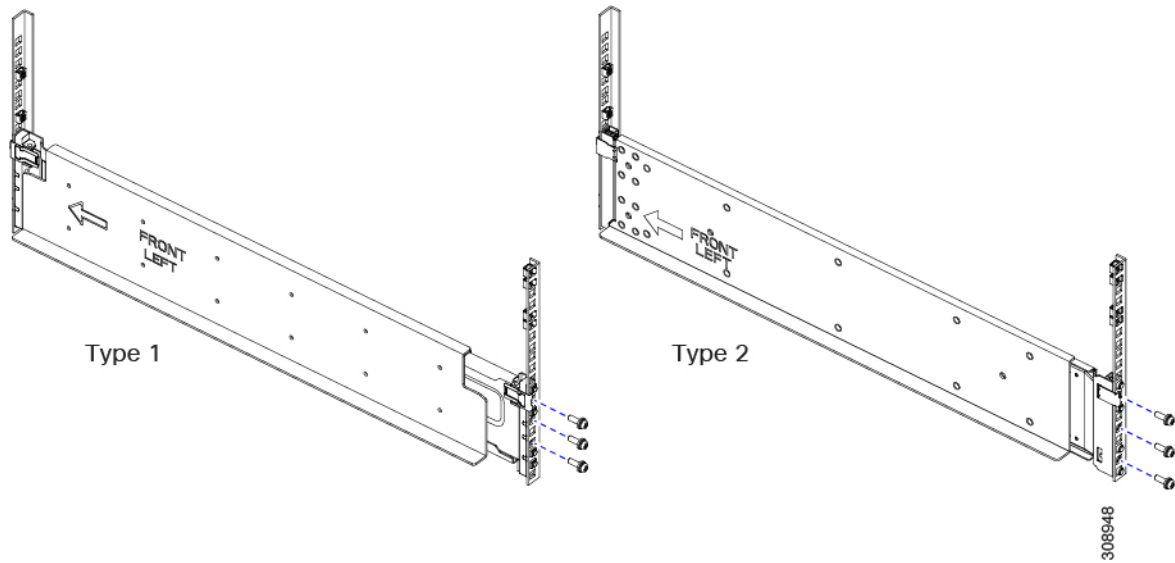
Step 5 (Optional) Use a tape measure and level to verify that the rack rails are horizontal and at the same height.

Step 6 At the front of the rack, refer to the template, then insert a screw in each front rail to secure each rail to the rack at the correct location.

Figure 19: Secure the Rail at the Front to the Rack



- Step 7** At the rear of the rack, refer to the template, then insert a screw in each rear rail to secure each rail to the rack at the correct location.

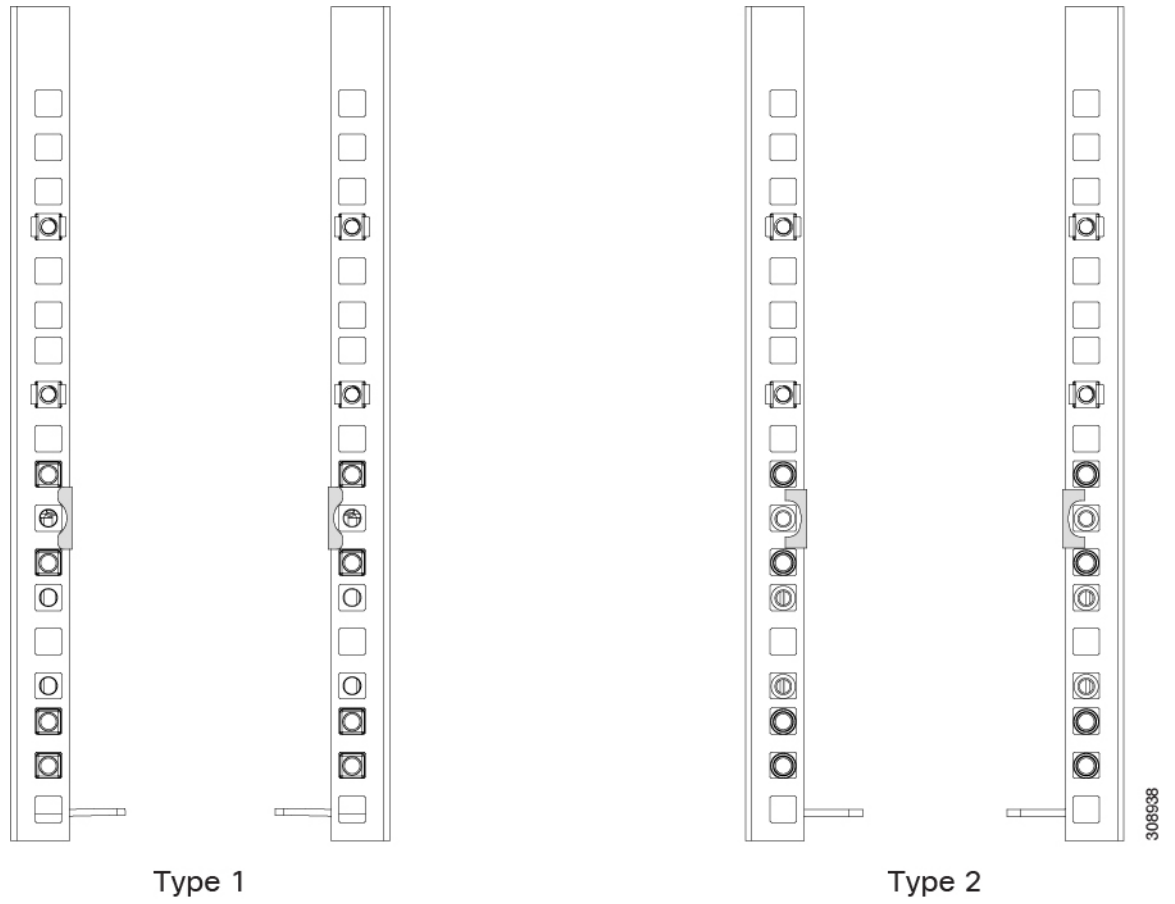
Step 8**Figure 20: Secure the Rail at the Rear of the Rack****What to do next**

Verify that the rails are correctly installed. See [Rail Installation Layout, Round-Hole Rack](#), on page 51.

Rail Installation Layout, Square-Hole Rack

Before installing the chassis in the rack, compare the rail installation in the rack against the following layout images. If the rail installation is different than what is shown in each layout, remove the rails and reinstall them.

Figure 21: Front Rail Layout, Both Rail Kits






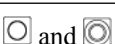
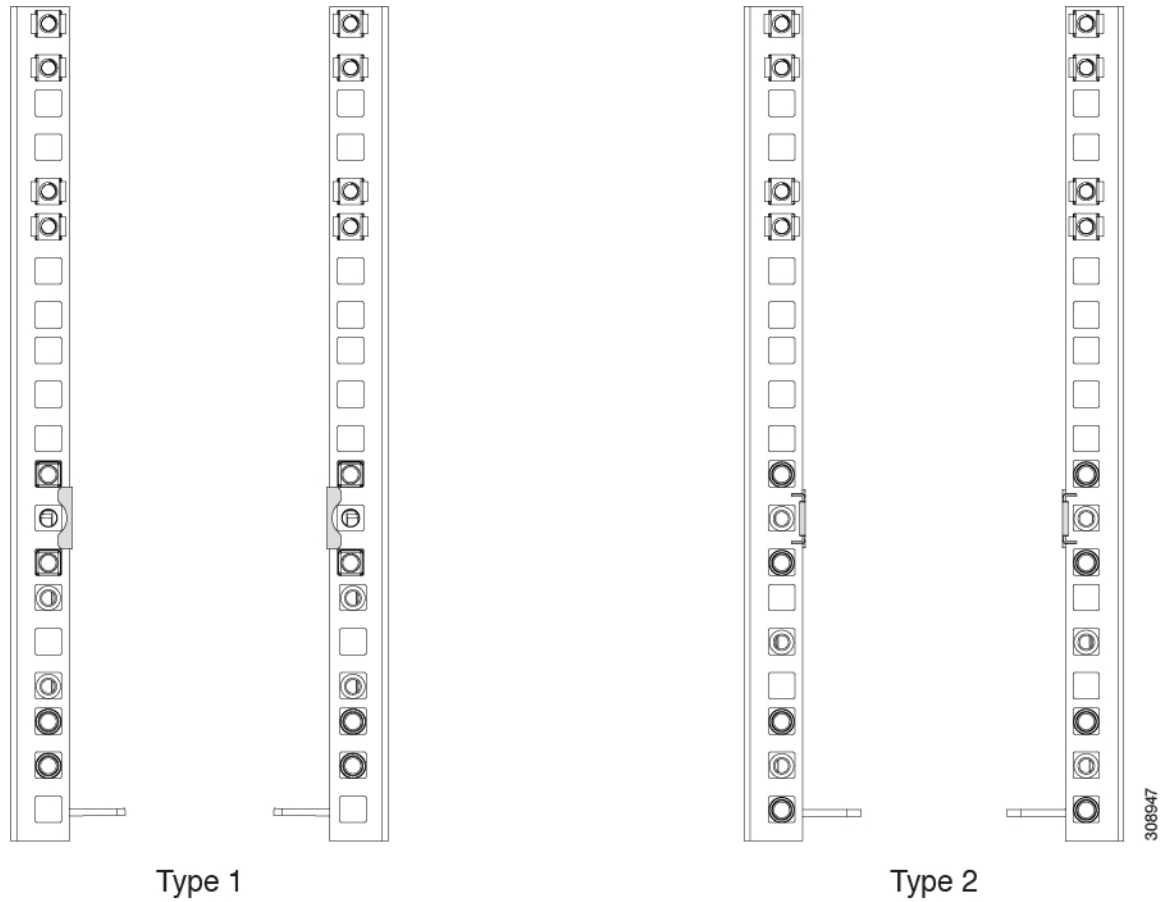
	Cage Nut, square-hole rack
	Empty RETMA Rail Hole, square-hole rack
	Locator Peg for Rail Kit
	Mounting Screw for Rail Kit

Figure 22: Rear Rail Layout, Both Rail Kits

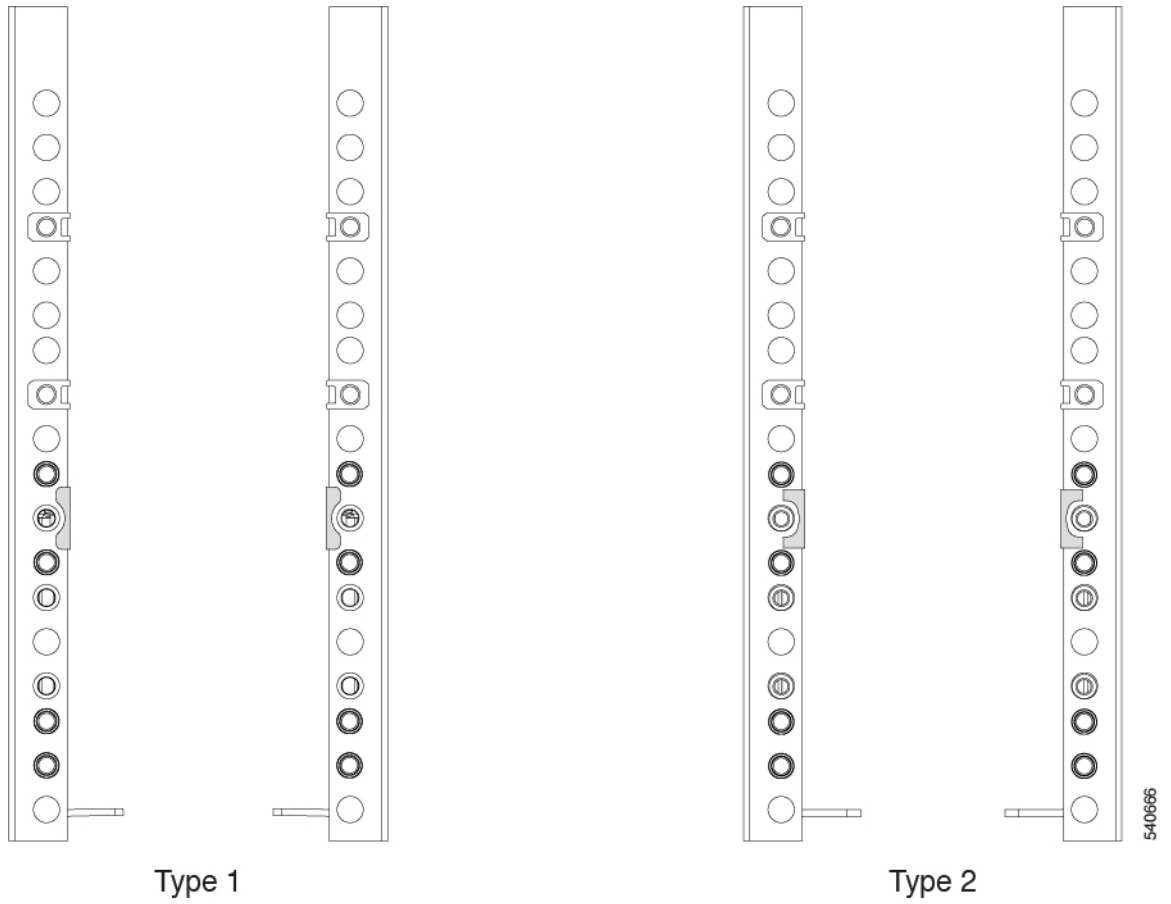


	Cage Nut, square-hole rack
	Empty RETMA Rail Hole, square-hole rack
and	Locator Peg for Rail Kit
and	Mounting Screw for Rail Kit

Rail Installation Layout, Round-Hole Rack

Before installing the chassis in the rack, compare the rail installation in the rack against the following layout images. If the rail installation is different than what is shown in each layout, remove the rails and reinstall them.

Figure 23: Front Rail Layout, Both Rail Kits







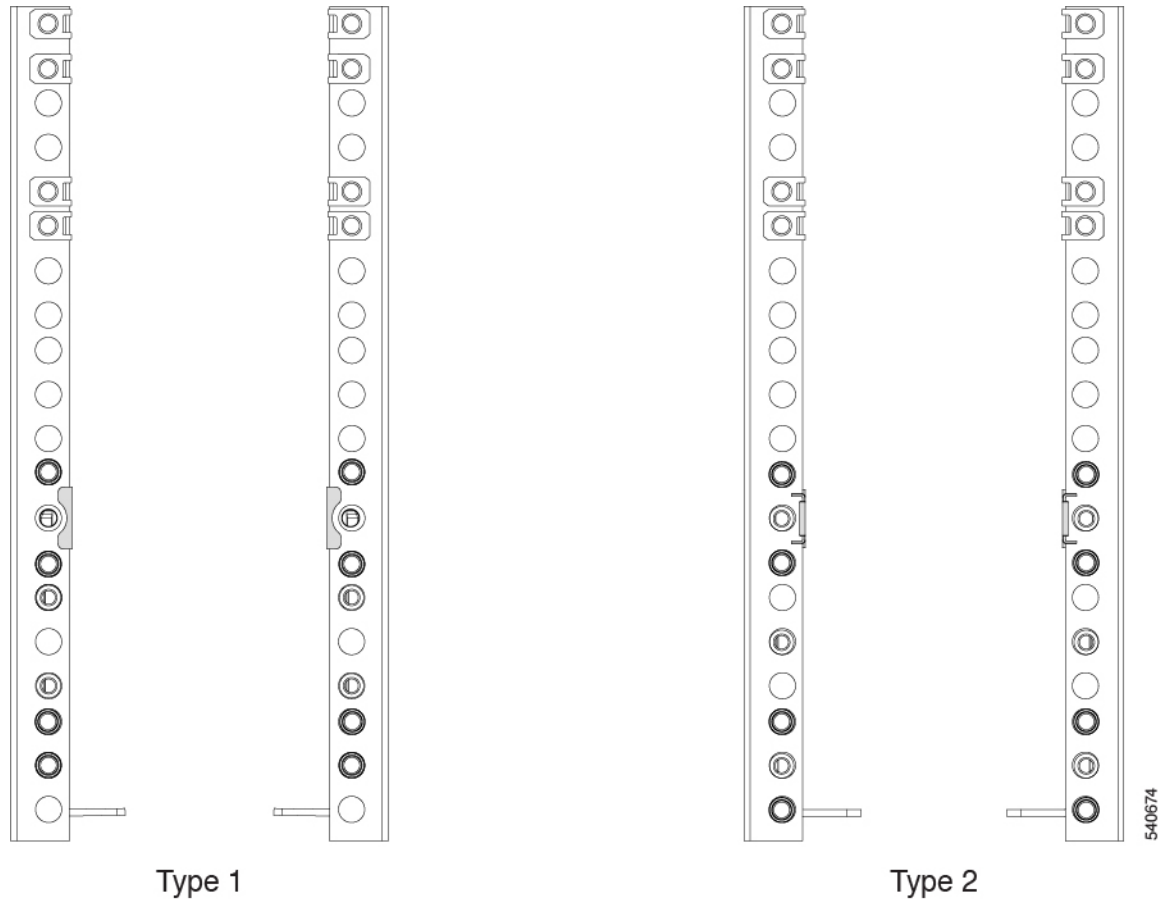
	Spring Nut for round-hole rack
	Empty RETMA Rail Hole, round-hole rack
	Locator Peg for Rail Kit
	Mounting Screw for Rail Kit

Figure 24: Rear Rail Layout, Both Rail Kits



	Spring Nut for round-hole rack
	Empty RETMA Rail Hole, round-hole rack
	Locator Peg for Rail Kit
	Mounting Screw for Rail Kit

Installing the Top Cable Management Arms

The accessory kit contains two cable management assemblies, each one consisting of three cable management arms and three cable ties. The cable management assemblies facilitate gathering and organizing the chassis power cables.



Note The server also has cable management trays (UCSX-9508-CMA) for gathering and organizing the cables from the IFMs and X-Fabric modules.

In this topic, top and bottom refer to the location on the chassis. Cable management arms are interchangeable, so there is no specific top and bottom cable arm.

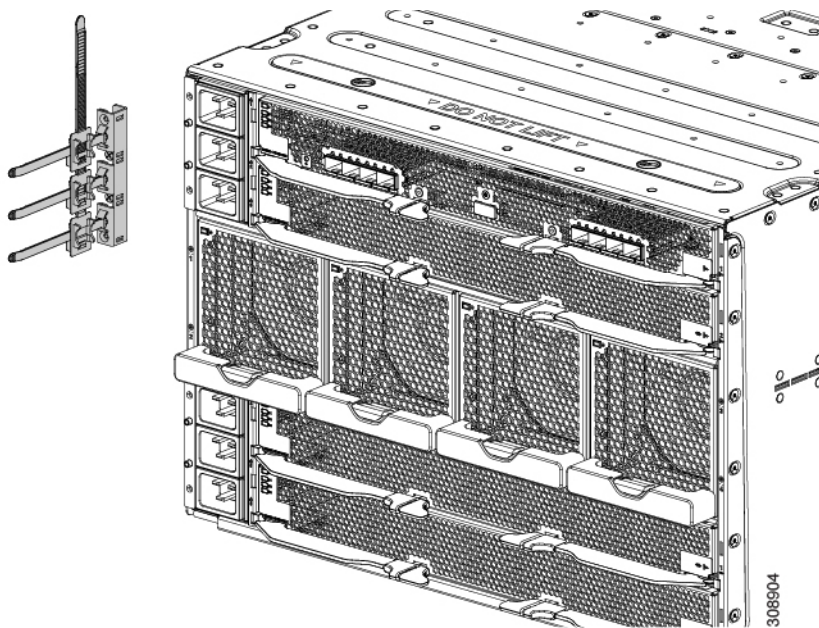
Each cable management assembly is for a set of three PSUs. The top cable management arms attach to the top set of PSUs in the chassis. The bottom cable management arms attach a grounding bracket for the bottom set of PSUs, so the installation procedure is slightly different. See [Installing the Ground Bracket and Bottom Cable Management Arms](#), on page 55.

Use this task to attach the cable management assemblies to the chassis before installing the chassis in the rack.

Step 1 Align the captive screws in the cable management sheet metal with the threaded standoffs on the chassis.

Step 2 Using a #2 Phillips-head screwdriver, attach the cable management arms to the server chassis by tightening the captive screws.

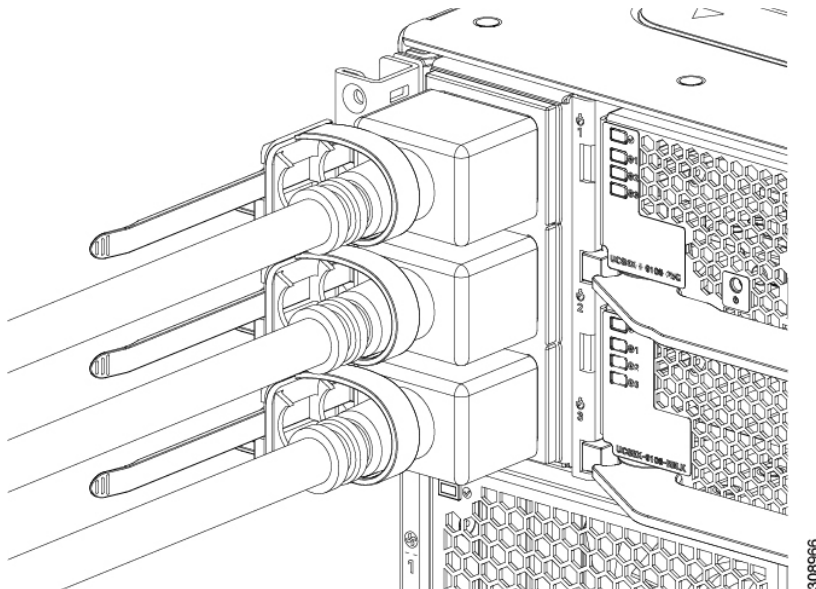
Figure 25: Attaching the Top Cable Management Arms to the Chassis



Step 3 Adjust the cable tie horizontally to align with where you wish to grasp the power cable.

Step 4 You can use the cable ties to gather the power cables and secure the plugs in place.

Figure 26: Gathering Power Cables



What to do next

Attach the remaining cable management arms. See [Installing the Ground Bracket and Bottom Cable Management Arms](#), on page 55.

Installing the Ground Bracket and Bottom Cable Management Arms

The cable management arm (CMA) for the bottom set of PSUs contains an integrated ground lug that provides earth grounding for the chassis. The horizontal metal piece is the ground lug to which the grounding cable can be attached.

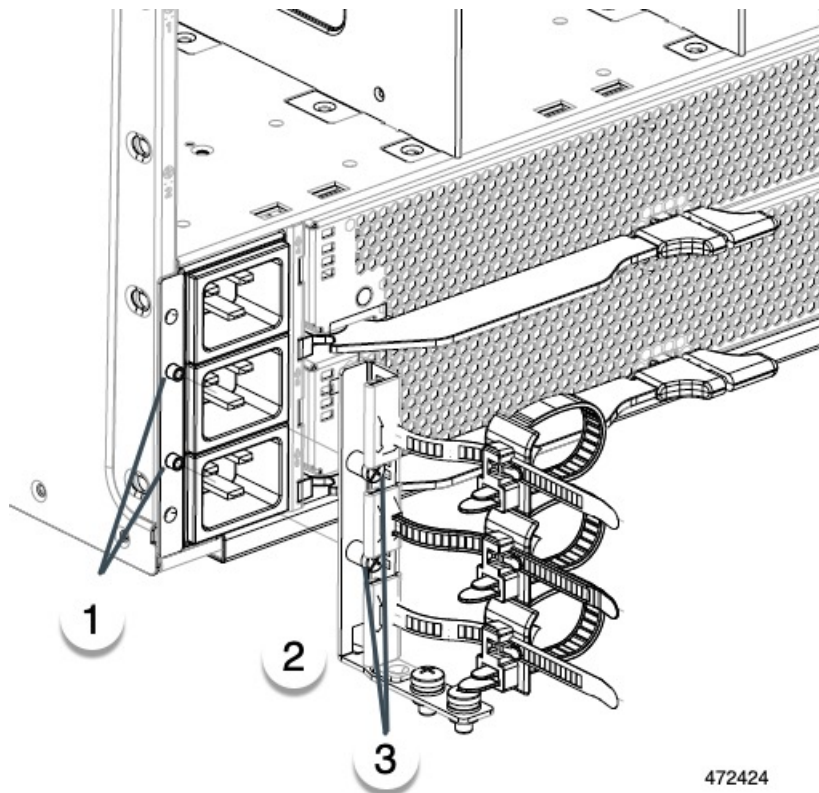


Note In this topic, top and bottom refer to the specific cable management arms. Cable management arms are not interchangeable. The bottom CMA contains the integrated ground lug, but the top CMA does not.

For the additional ground requirements, see [Earth Ground Considerations](#), on page 26.

Attach the bottom cable management arm to the chassis.

- Align the long side of the ground bracket with the threaded standoff on the chassis.
- Align the captive screws in the cable management arm with the threaded standoffs on the chassis.



1	Threaded Standoffs on chassis	2	Bottom CMA, long side aligned with standoffs
3	Captive Screws on CMA		

- c) Using a #2 Phillips-head screwdriver, secure the bottom cable management arms to the server chassis by tightening the captive screws.

Inserting the Chassis into a Square-Hole Rack

Before you begin

If you have not already verified that the rails are installed as indicated in the front and rear layouts, do so now. See [Rail Installation Layout, Square-Hole Rack](#), on page 49.

Also, make sure to review [Installation Notes and Warnings for the Cisco UCS X9508 Server Chassis](#), on page 23.

The chassis must be grounded by a ground lug that Cisco provides, or an equivalent. See "Ground Lug" in [Earth Ground Considerations](#), on page 26.

**Caution**

Before beginning this procedure, make sure that the rails are correctly installed, and all the rail kits' mounting screws are installed and tightened.

**Important**

Watch your hands and fingers whenever you handle the chassis, modules, nodes, and components! Narrow vertical or horizontal spaces in situations including, but not limited to, moving the chassis into or out of the shipping container or equipment rack can cause pinch hazards for your hands and fingers.

Although they do not eliminate the possibility of pinching, the chassis has defined grasp points to facilitate handling and moving it. For information about chassis grasp points, see [Handling the Chassis, on page 27](#).

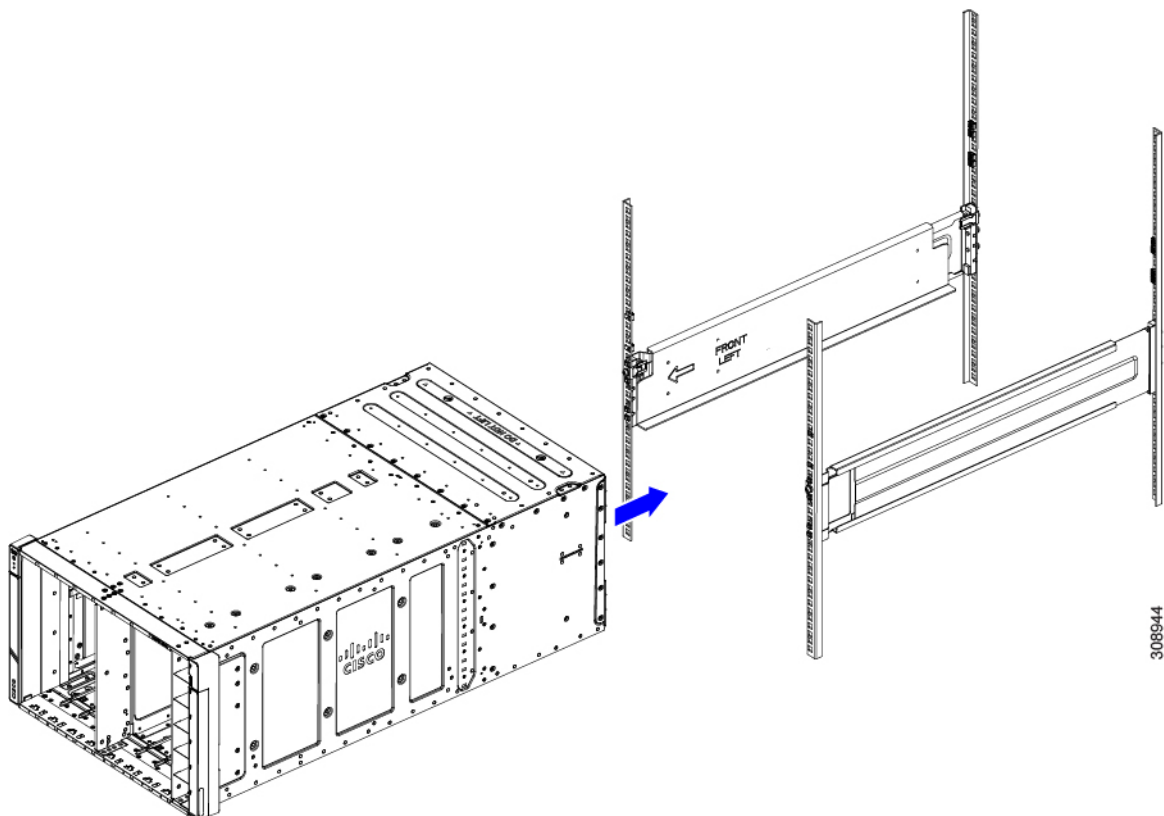
**Tip**

You will find it easier to move the chassis if you have additional people to help you.

Step 1 Using a scissor jack, chassis lift, or other mechanical device, lift the chassis and position it so that you can slide it into the rack.

Step 2 Slide the chassis into the rack until the front flange is flat against the cage nuts.

Figure 27: Inserting the Chassis into the Rack



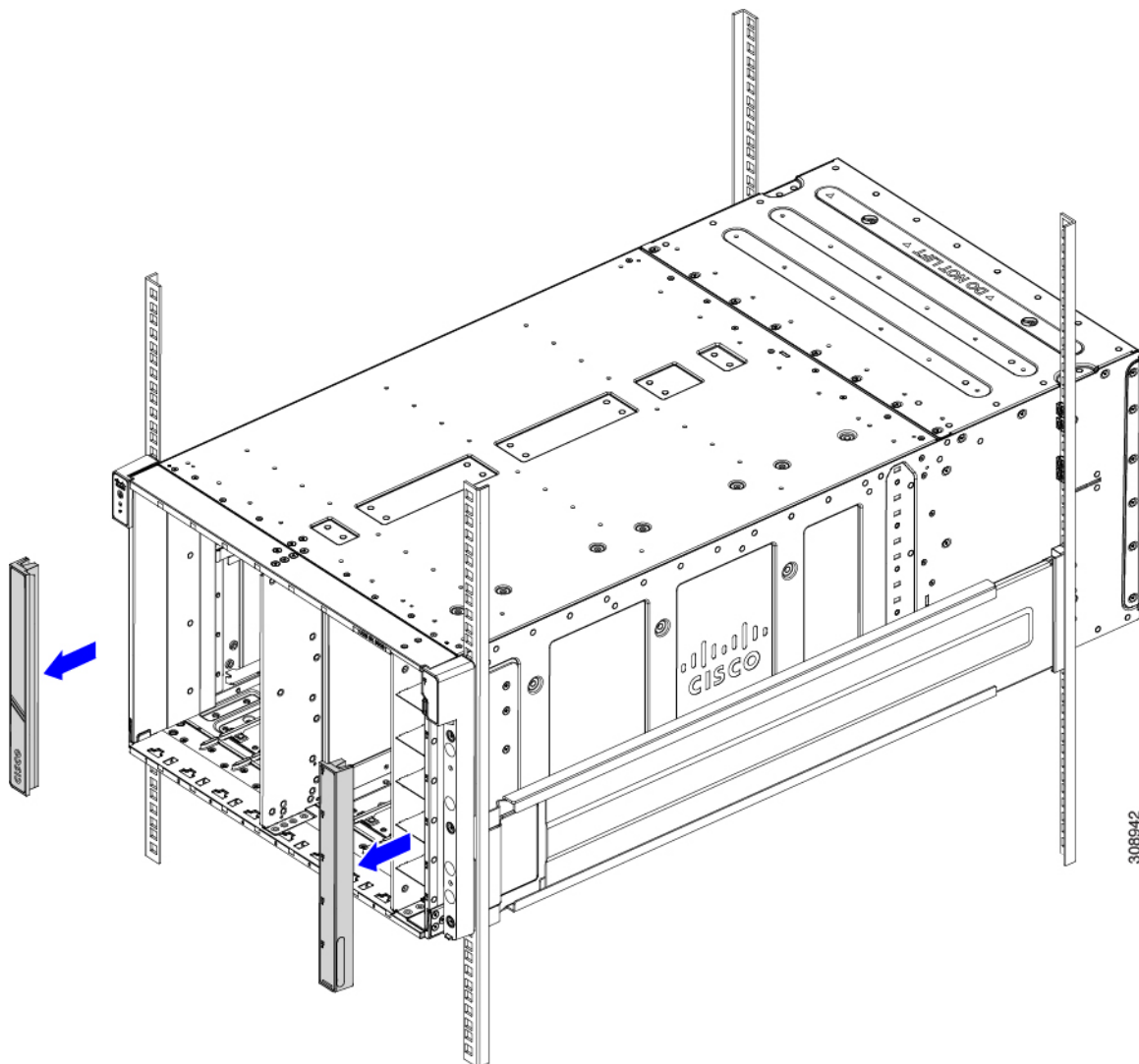
Step 3 At the front of the chassis, remove each of the side trim panels from the chassis.

The side trim panels are attached magnetically, so you should be able to easily pull them off.

Removing the side trim panels exposes the screw holes in each of the front mounting brackets.

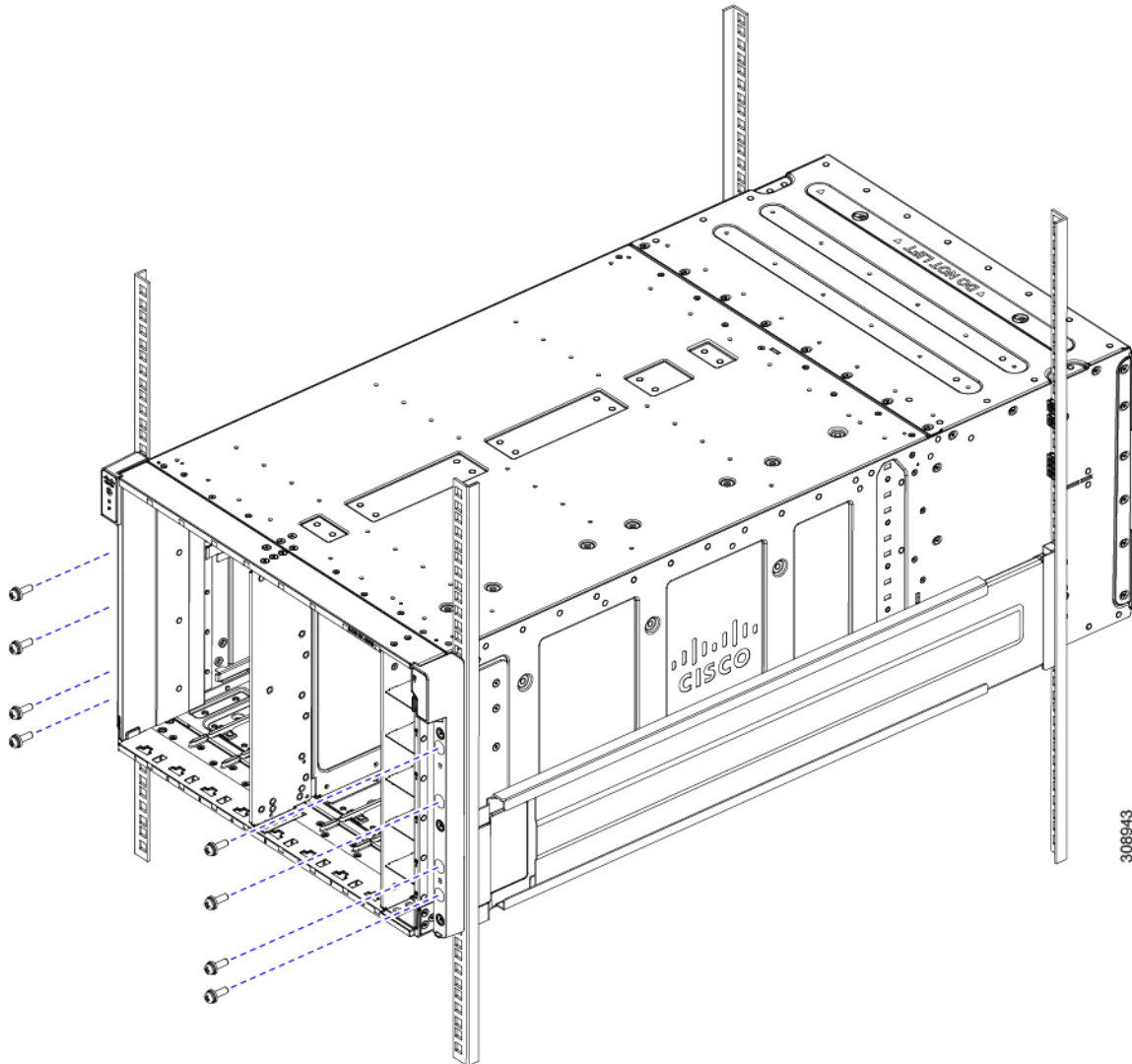
Note Keep the side trim panels in a safe location nearby. You will replace them when the chassis is installed.

Figure 28: Detach the Chassis Side Trim Panels



Step 4 At the front of the chassis, use a #3 Phillips-head screwdriver to insert and tighten the eight M6 x 20mm screws through the front mounting flanges.

Figure 29: Securing the Front of the Chassis to the Rack



Step 5

Choose the appropriate option:

- If your chassis will ship per-installed in a rack, attach the rear mounting brackets. If you plan to install and ship your chassis in a shippable rack, attach the rear mounting brackets. See [Installing Rear Mounting Brackets, Square-Hole Rack, on page 63](#).
- If you will be installing the chassis in a stationary rack, continue the installation procedure. See [Completing Installation, on page 67](#).

Inserting the Chassis into a Round-Hole Rack

Before you begin

If you have not already verified that the rails are installed as indicated in the front and rear layouts, do so now. See [Rail Installation Layout, Round-Hole Rack, on page 51](#).

Also, make sure to review [Installation Notes and Warnings for the Cisco UCS X9508 Server Chassis, on page 23](#).

The chassis must be grounded by a ground lug that Cisco provides, or an equivalent. See "Ground Lug" in [Earth Ground Considerations, on page 26](#).



Caution

Before beginning this procedure, make sure that the rails are correctly installed, and all the rail kits' mounting screws are installed and tightened.



Important

Watch your hands and fingers whenever you handle the chassis, modules, nodes, and components! Narrow vertical or horizontal spaces in situations including, but not limited to, moving the chassis into or out of the shipping container or equipment rack can cause pinch hazards for your hands and fingers.

Although they do not eliminate the possibility of pinching, the chassis has defined grasp points to facilitate handling and moving it. For information about chassis grasp points, see [Handling the Chassis, on page 27](#).



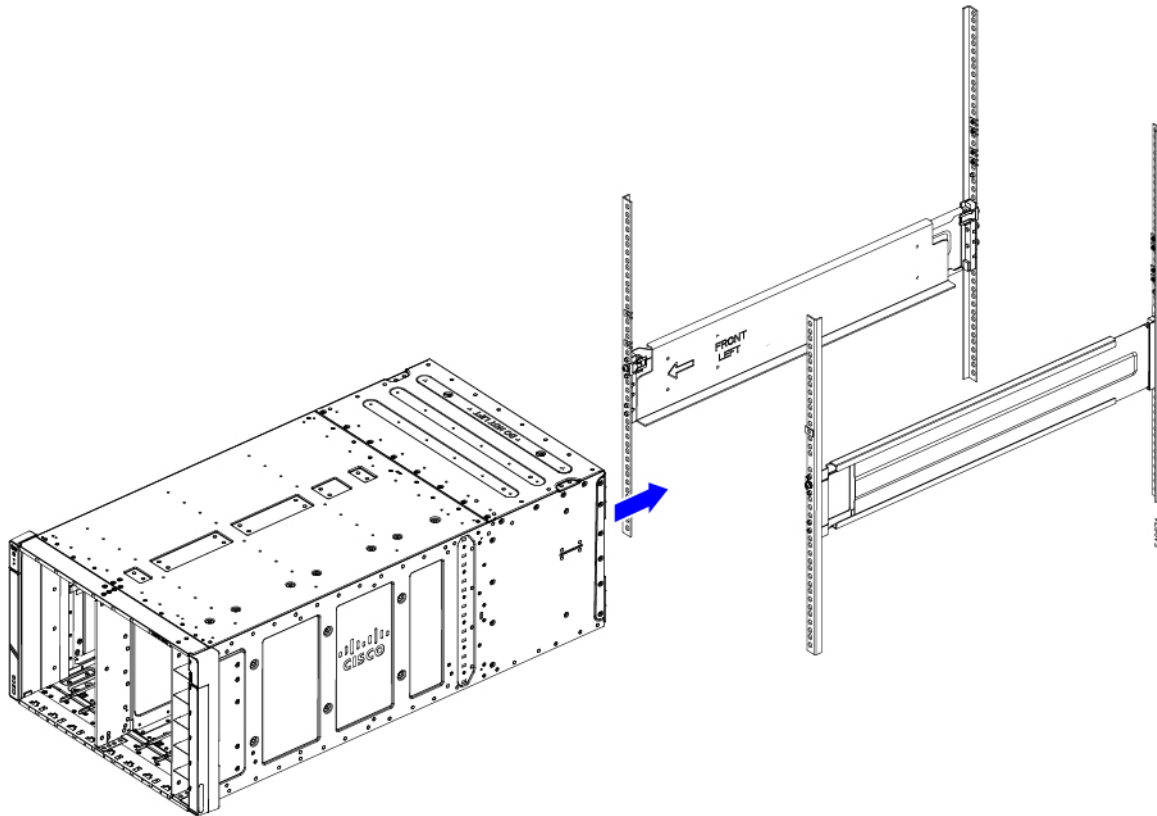
Tip

You will find it easier to move the chassis if you have additional people to help you.

Step 1 Using a scissor jack, chassis lift, or other mechanical device, lift the chassis and position it so that you can slide it into the rack.

Step 2 Slide the chassis into the rack until the front flange is flat against the cage nuts (spring nuts).

Figure 30: Inserting the Chassis into the Rack



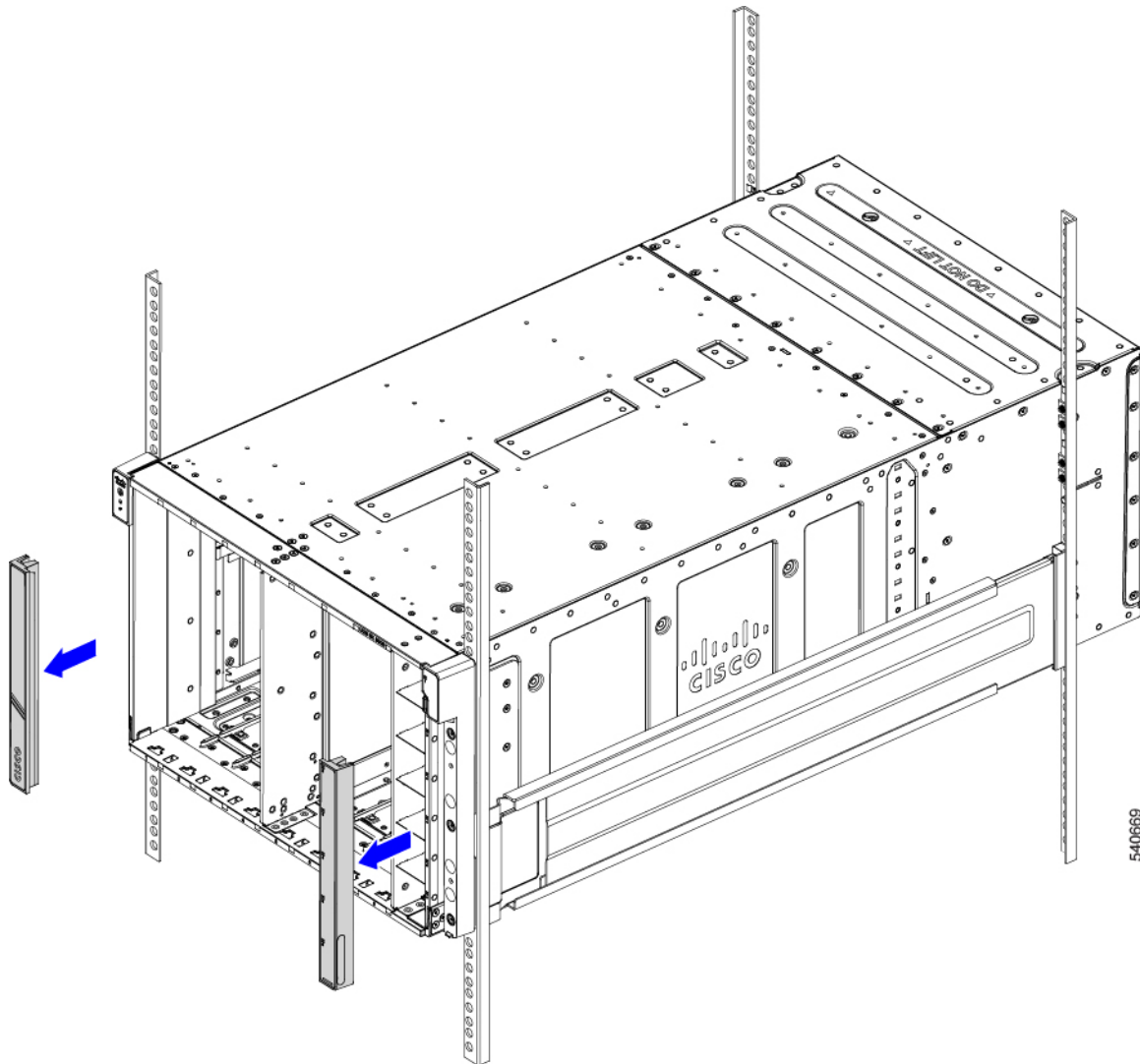
Step 3

At the front of the chassis, remove each of the side trim panels from the chassis.

The side trim panels are attached magnetically, so you should be able to easily pull them off.

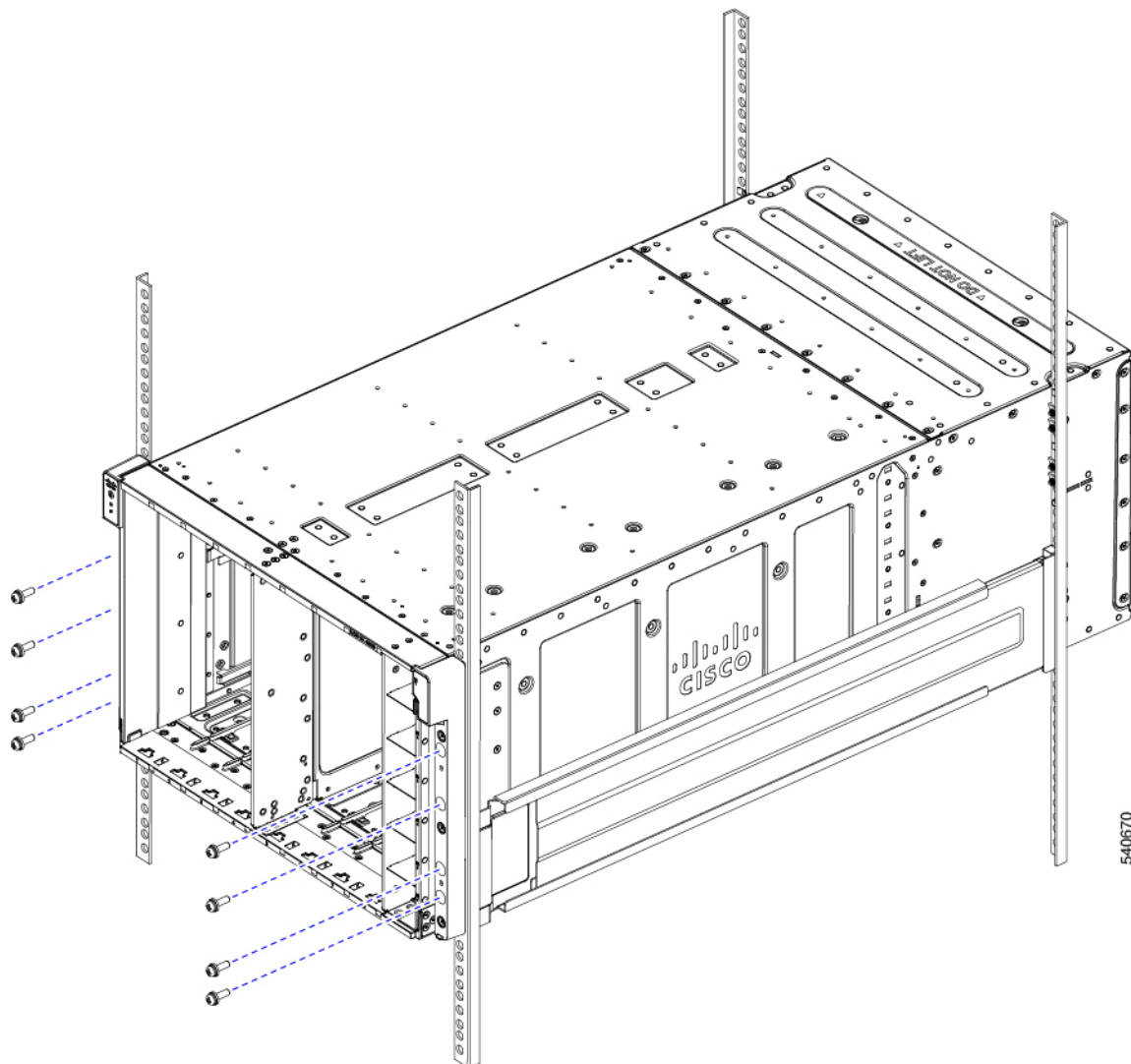
Removing the side trim panels exposes the screw holes in each of the front mounting brackets.

Note Keep the side trim panels in a safe location nearby. You will replace them when the chassis is installed.

Figure 31: Detach the Chassis Side Trim Panels

- Step 4** At the front of the chassis, use a #3 Phillips-head screwdriver to insert and tighten the eight M6 x 20mm screws through the front mounting flanges.

Figure 32: Securing the Front of the Chassis to the Rack



Step 5

Choose the appropriate option:

- a) If your chassis will ship pre-installed in a rack, attach the rear mounting brackets. If you plan to install and ship your chassis in a shippable rack, attach the rear mounting brackets. See [Installing Rear Mounting Brackets, Round-Hole Rack, on page 65](#).
- b) If you will be installing the chassis in a stationary rack, continue the installation procedure. See [Completing Installation, on page 67](#).

Installing Rear Mounting Brackets, Square-Hole Rack

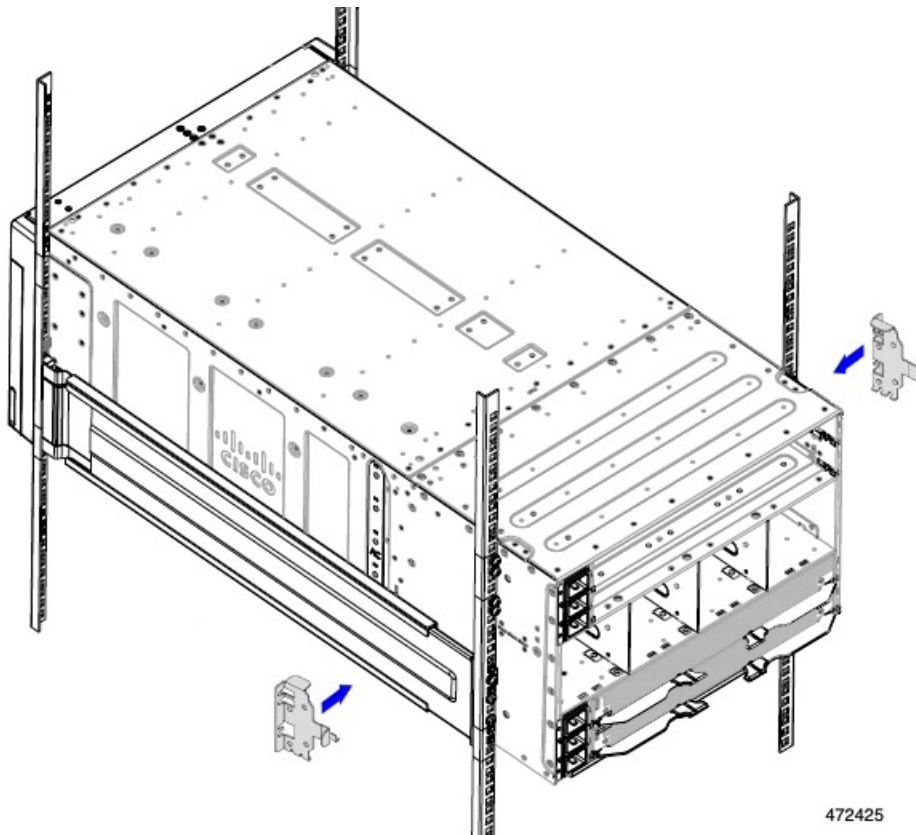
Use this procedure to install the rear mounting (tie down) brackets (UCSX-9508-RACKBK) for a chassis that is not pre-installed in a rack.

Before you begin

If the chassis is shipped pre-installed in a rack, the rear mounting brackets are already attached.

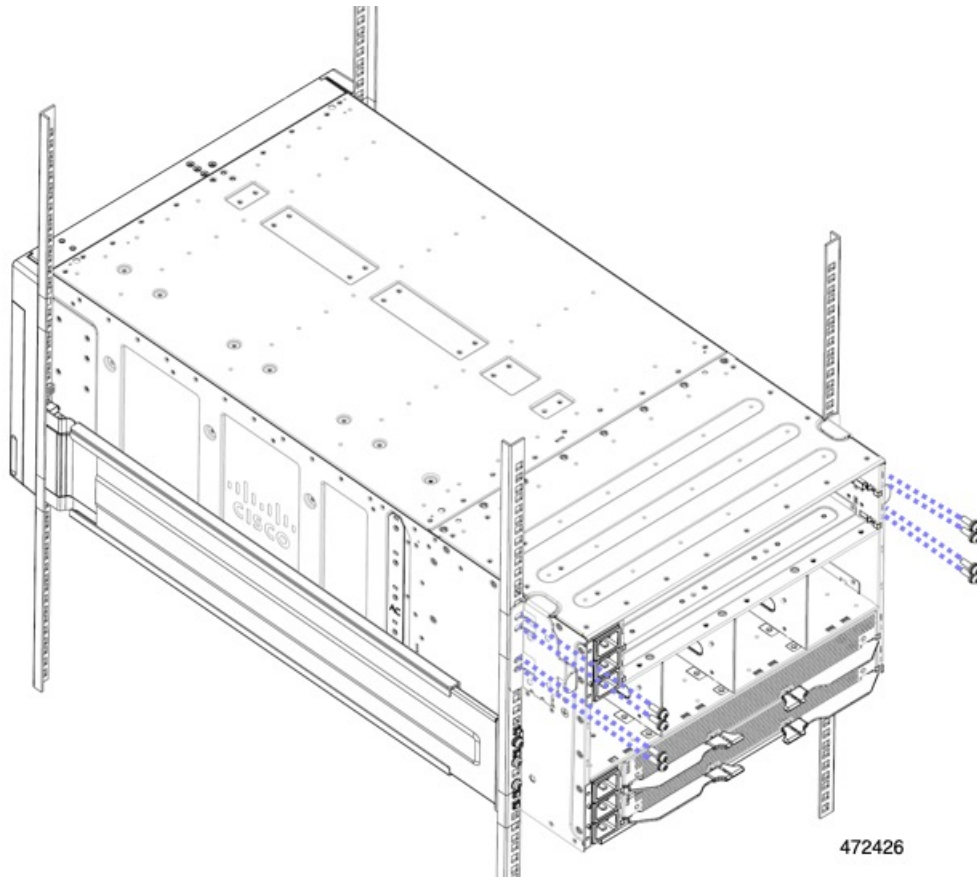
- Step 1** At the rear of the chassis, use your hands to install each rear mounting bracket, which has a folded tab at the top and a folded metal hook at the bottom.
- Slide the hook into the cutout in the chassis side wall.
 - Slide each rear mounting bracket until the tab seats into the emboss in the chassis top.

Figure 33: Attaching Rear Mounting Brackets, Square-Hole Rack



- Step 2** Holding the rear mounting brackets in place, use the #3 Phillips-head screwdriver to insert the 8 M6 x 20mm screws through the rear mounting brackets, then tighten the screws to secure the rear of the chassis to the rear of the rack.

Figure 34: Securing the Chassis to the Rack, Square-Hole Rack



What to do next

Complete installing the chassis into the rack. Go to [Completing Installation, on page 67](#).

Installing Rear Mounting Brackets, Round-Hole Rack

Use this procedure to install the rear mounting (tie down) brackets (UCSX-9508-RACKBK) for a chassis that is not pre-installed in a rack.

Before you begin

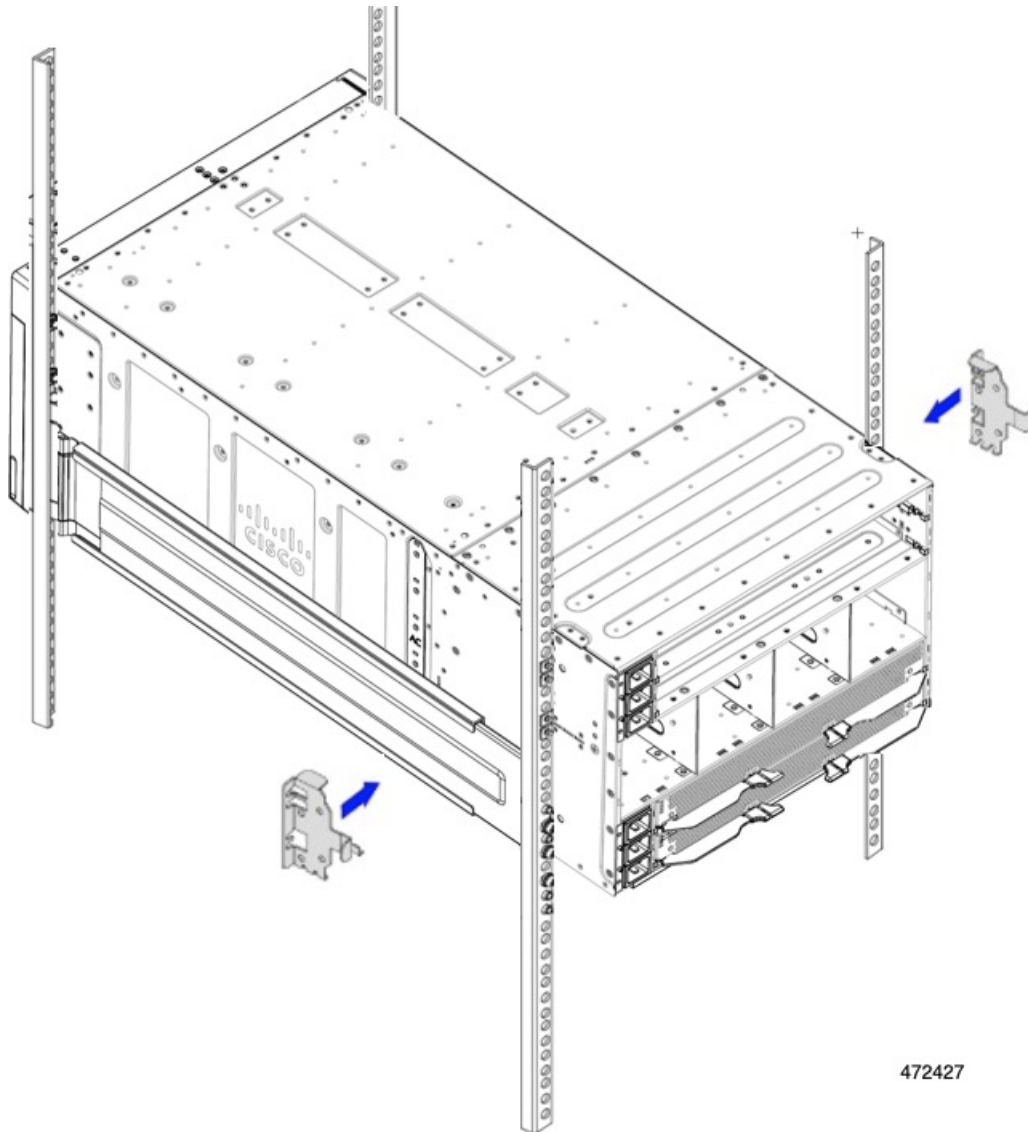
If the chassis is shipped pre-installed in a rack, the rear mounting brackets are already attached.

Step 1

At the rear of the chassis, use your hands to install each rear mounting bracket, which has a folded tab at the top and a folded metal hook at the bottom.

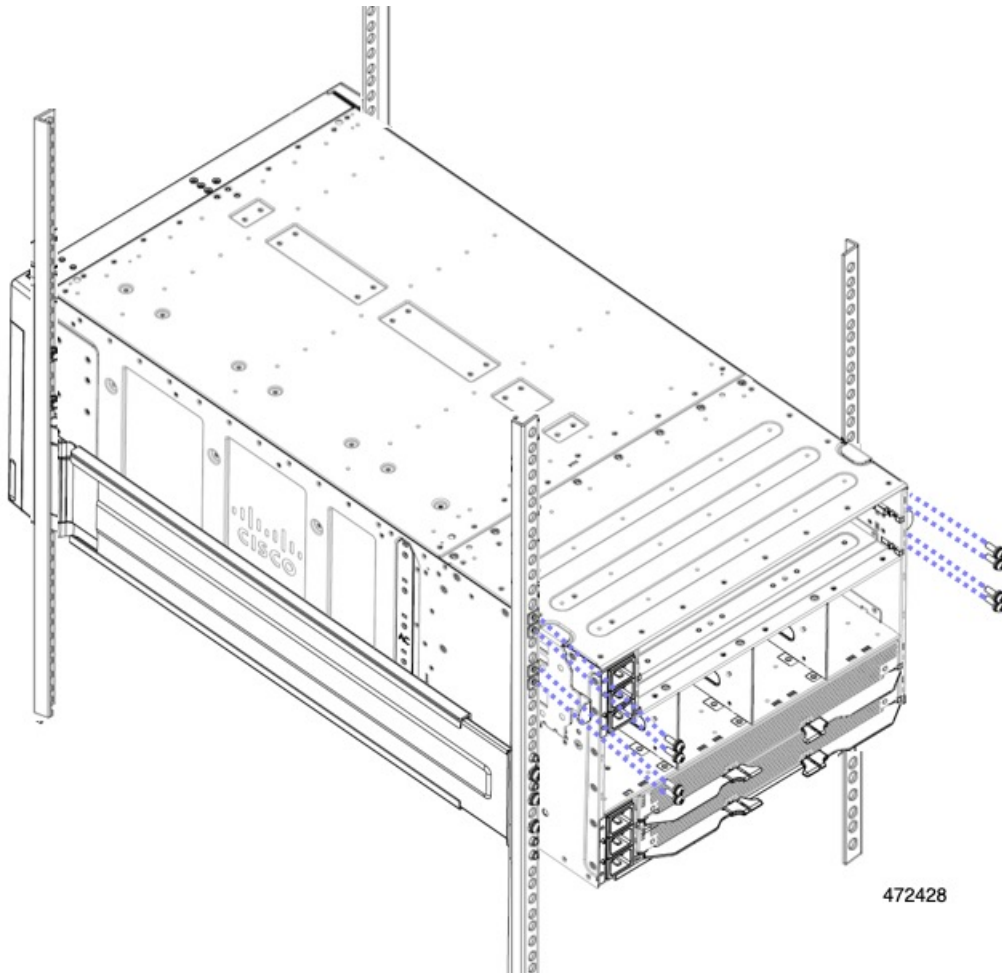
- Slide the hook the into the cutout in the chassis side wall.
- Slide each rear mounting bracket until the tab seats into the emboss in the chassis top.

Figure 35: Attaching the Rear Mounting Brackets



- Step 2** Holding the rear mounting brackets in place, use the #3 Phillips-head screwdriver to insert the 8 M6 x 20mm screws through the rear mounting brackets, then tighten the screws to secure the rear of the chassis to the rear of the rack.

Figure 36: Securing the Rear of the Chassis to the Rack



What to do next

Complete installing the chassis into the rack. Go to [Completing Installation, on page 67](#).

Completing Installation

Continue with installing the chassis.

- Step 1** Verify that all the front and rear mounting screws for the rails and the chassis are tight, and the chassis is secured to the rack.
- Step 2** At the front of the chassis, attach the side trim panels.
The side trim panels attach magnetically, so you don't need any tools.
- Step 3** Making sure that all people and equipment are not under the chassis, lower and remove the lift.

Step 4 Install any additional IFMs, PSUs, nodes or other chassis components, if needed.

Step 5 To power up the chassis, connect the appropriate power cables to the inlet connector corresponding to each installed power supply, and then connect the other end of the cables to the power source. To determine the number of power supplies needed for a given configuration, use the [Cisco UCS Power Calculator](#) tool.

Note Both grids in a power redundant system should have the same number of power supplies. If your system is configured for grid power (N+N redundancy), slots 1, 2, and 3 are assigned to grid 1, and slots 4, 5, and 6 are assigned to grid 2. If fewer than six power supplies (PS) are configured in grid redundant mode, they should be equally distributed between the grid 1 and grid 2 slots.

Step 6 Attach any remaining cables to provide fabric connectivity for the chassis and nodes and do a visual inspection of LEDs to ensure the chassis and its components are operating in runtime.

Choosing Earth Ground Option

The Cisco UCS X9508 server chassis supports connection to facility earth ground through either of the following options:

- side mount, which supports connecting the ground cable directly to the chassis through a ground point on one side of the chassis. For this option, go to [Connecting Side-Mount Earth Ground, on page 68](#).
- rear mount, which supports connecting the ground cable to a ground bracket that attaches to one of the rear mounting brackets at the rear of the chassis. For this option, go to [Connecting Rear-Mount Earth Ground, on page 70](#).

Choose the option that is appropriate for your installation. Both options require you to assemble the ground cable by crimping a ground lug onto the end of the ground cable. For information about the ground lug, see "Ground Lug" in [Earth Ground Considerations, on page 26](#).

Connecting Side-Mount Earth Ground

To connect side-mount earth ground you will connect a ground lug to a ground cable, then attach the cable to the designated earth ground point on the chassis sheet metal. The designated earth ground is on the side of the chassis.

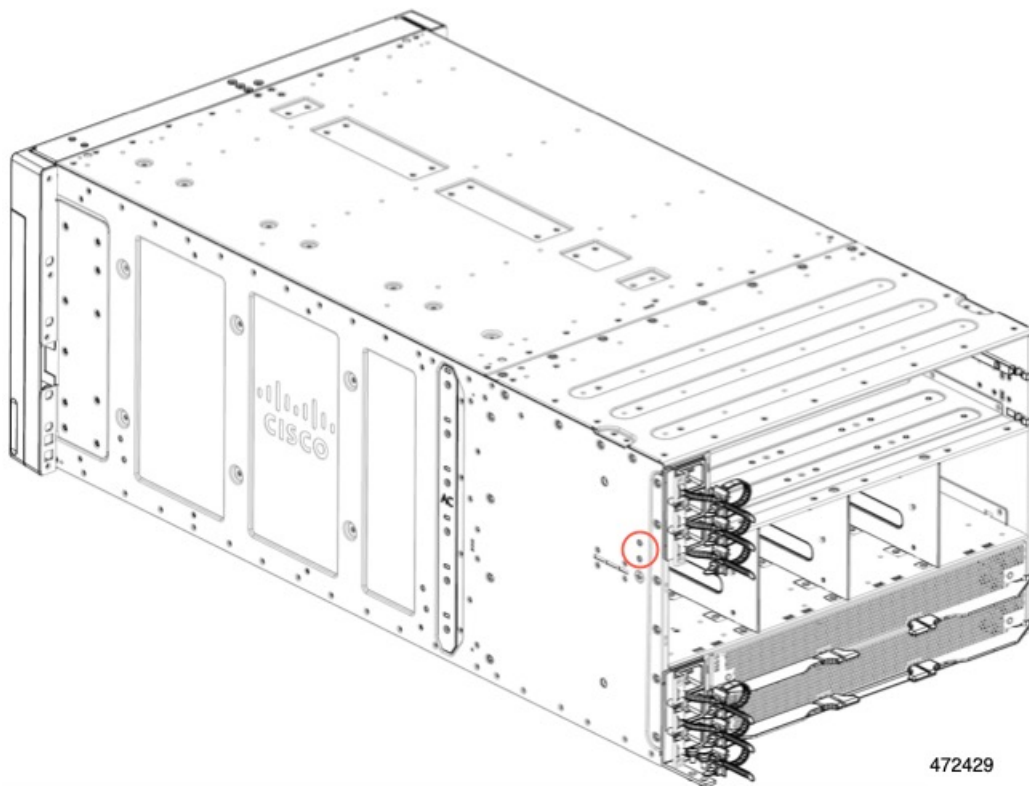


Note The chassis also has a rear-mount option for earth ground by using a specific ground bracket that attaches to the rear of the chassis. For more information, see [Connecting Rear-Mount Earth Ground, on page 70](#).

The facility ground cable must be terminated with the ground lug provided by Cisco, or an equivalent. For more information, see "Ground Lug" in [Earth Ground Considerations, on page 26](#).

Step 1 Locate the two screw holes for the side-mount attachment point for earth ground.

The side-mount attachment point is designated with the earth ground symbol ().

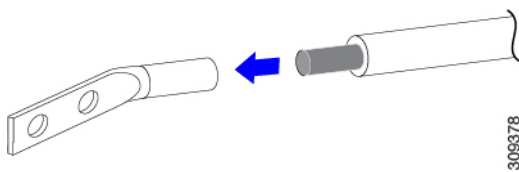


472429

Step 2 Assemble the ground cable.

- Use a wire-stripping tool to remove approximately 0.75 inches (19 mm) of the covering from the end of the grounding cable.
- Insert the stripped end of the grounding cable into the open end of the grounding lug.

We recommend 6-AWG wire for the U.S. installations. Make sure to use the proper grounding cable and grounding wire as appropriate for your country or region.



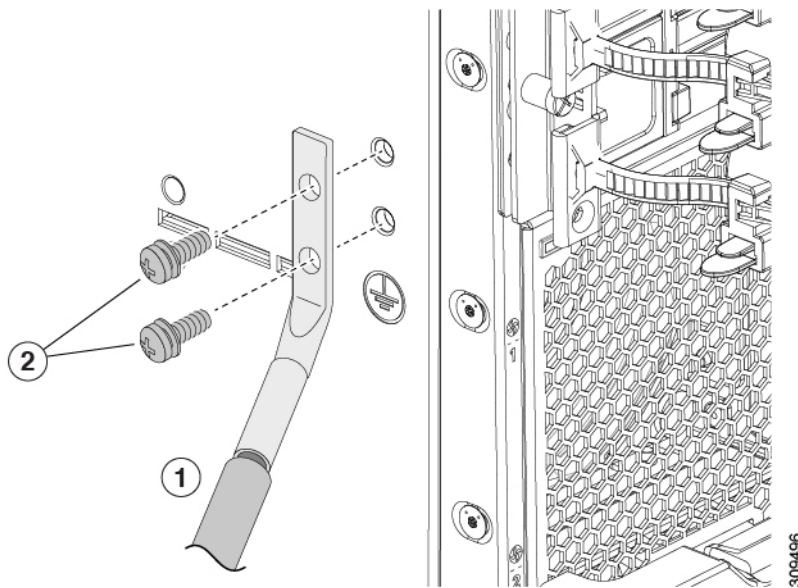
309378

- Use a crimping tool to secure the grounding cable in the grounding lug.
- Prepare the other end of the grounding cable and connect it to an appropriate ground point at the facility.

Note When the chassis is fully installed, the side-mount earth ground point should be in front of the rear mounting brackets. As a result, you should have enough space to attach the ground cable.

Step 3 Attach the grounding cable to the grounding point on the side of the chassis.

- Position the ground lug.
- Align the terminal holes in the ground lug with the terminal holes in the side of the chassis.
- Using a #2 Phillips screwdriver, insert and tighten two M5 x 10mm pan-head screws to secure the grounding cable to the side of the chassis.



1	Assembled ground cable with lug positioned on chassis ground point	2	Screw down ground cable to secure it to the side-mount ground point
---	--	---	---

Connecting Rear-Mount Earth Ground

Connecting the chassis to facility earth ground is supported through the chassis ground lug, which is installed at the side of the bottom set of PSUs.

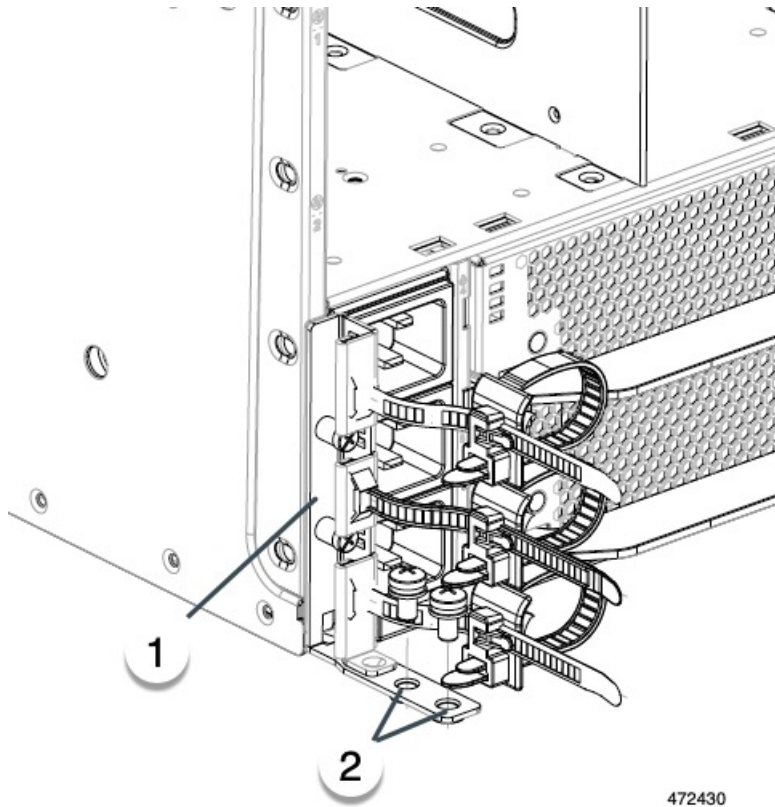
The facility grounding cable must be terminated with the ground lug provided by Cisco, or an equivalent. For more information, see "Ground Lug" in [Earth Ground Considerations](#), on page 26.

Use this procedure to connect the chassis to earth ground.

Before you begin

This procedure assumes that you have already attached the bottom cable management arm with the integrated grounding lug. For information, see [Installing the Ground Bracket and Bottom Cable Management Arms](#), on page 55.

Step 1 Verify that the bottom CMA and ground lug is correctly installed. If not, install it now. See [Installing the Ground Bracket and Bottom Cable Management Arms](#), on page 55.



472430

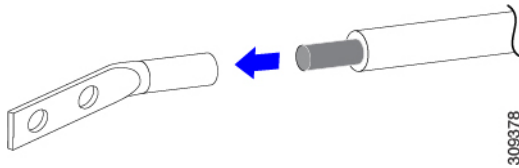
1	Bottom CMA with integrated ground lug	2	Terminal holes for attaching the ground cable
---	---------------------------------------	---	---

Step 2

Assemble the ground cable.

- a) Use a wire-stripping tool to remove approximately 0.75 inches (19 mm) of the covering from the end of the grounding cable.
- b) Insert the stripped end of the grounding cable into the open end of the grounding lug.

We recommend 6-AWG wire for the U.S. installations. Make sure to use the proper grounding cable and grounding wire as appropriate for your country or region.



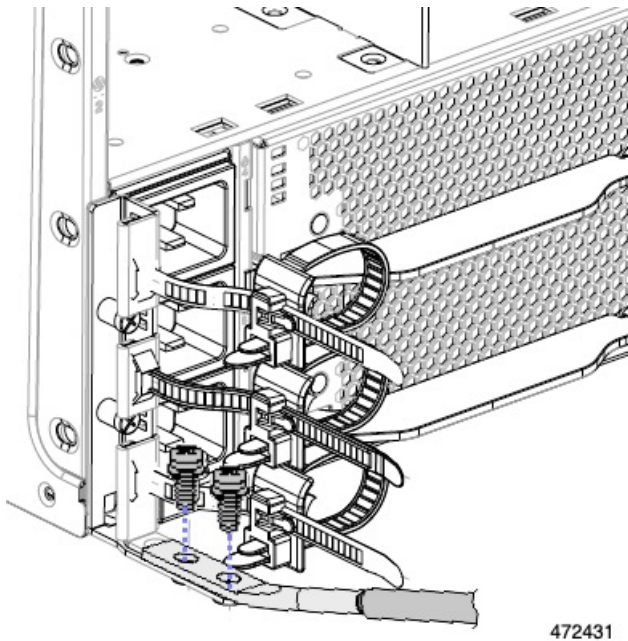
- c) Use a crimping tool to secure the grounding cable in the grounding lug.
- d) Prepare the other end of the grounding cable and connect it to an appropriate ground point at the facility.

Step 3

Attach the ground cable to the ground lug.

- a) Position the ground cable on top of the ground lug.
- b) Align the terminal holes in the ground lug with the terminal holes in the ground bracket.

- c) Using a #2 Phillips screwdriver, insert and tighten two M5 x 10mm pan-head screws to secure the ground cable to the ground lug.



- Step 4** Route the ground cable out of the way of the chassis, making sure not to damage the ground cable, for example, by exceeding its bend radius.
- Step 5** After the chassis is connected to earth ground, connect PSU cables to power up the chassis.

Attaching Cable Management Trays

The Cisco UCS X9508 server chassis offers up to four cable management trays (UCSX-9508-CMA) to organize the cables for the intelligent fabric module (IFM) cables. The trays are interchangeable, so you can use them for either IFM's cables. There are no specific cable management trays for the top and bottom of the chassis.

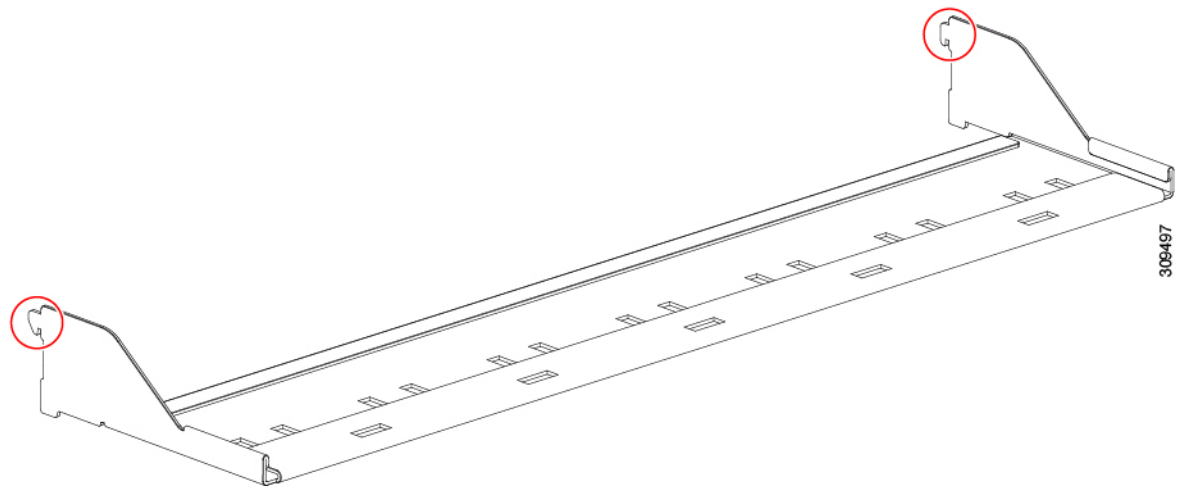
You can use one tray for each IFM installed in the Cisco UCS X9508 server chassis but Cisco recommends that you use one tray for all IFM cables.



Note The chassis also has cable management arms, which organize the PSU cables. The cable management arms are different from the cable management tray, which organizes IFM cables.

Because the cable management tray sits in front of an IFM, you should remove the cable management tray to allow access to the IFM. For example, if you need to access IFM 2, you should remove the cable management tray 2.

Cable management trays attach to the server chassis by hooks at the top rear of each tray.



To install or remove the cable management tray, use the following procedures:

- [Installing the Cable Management Tray, on page 73](#)
- [Removing the Cable Management Tray, on page 75](#)

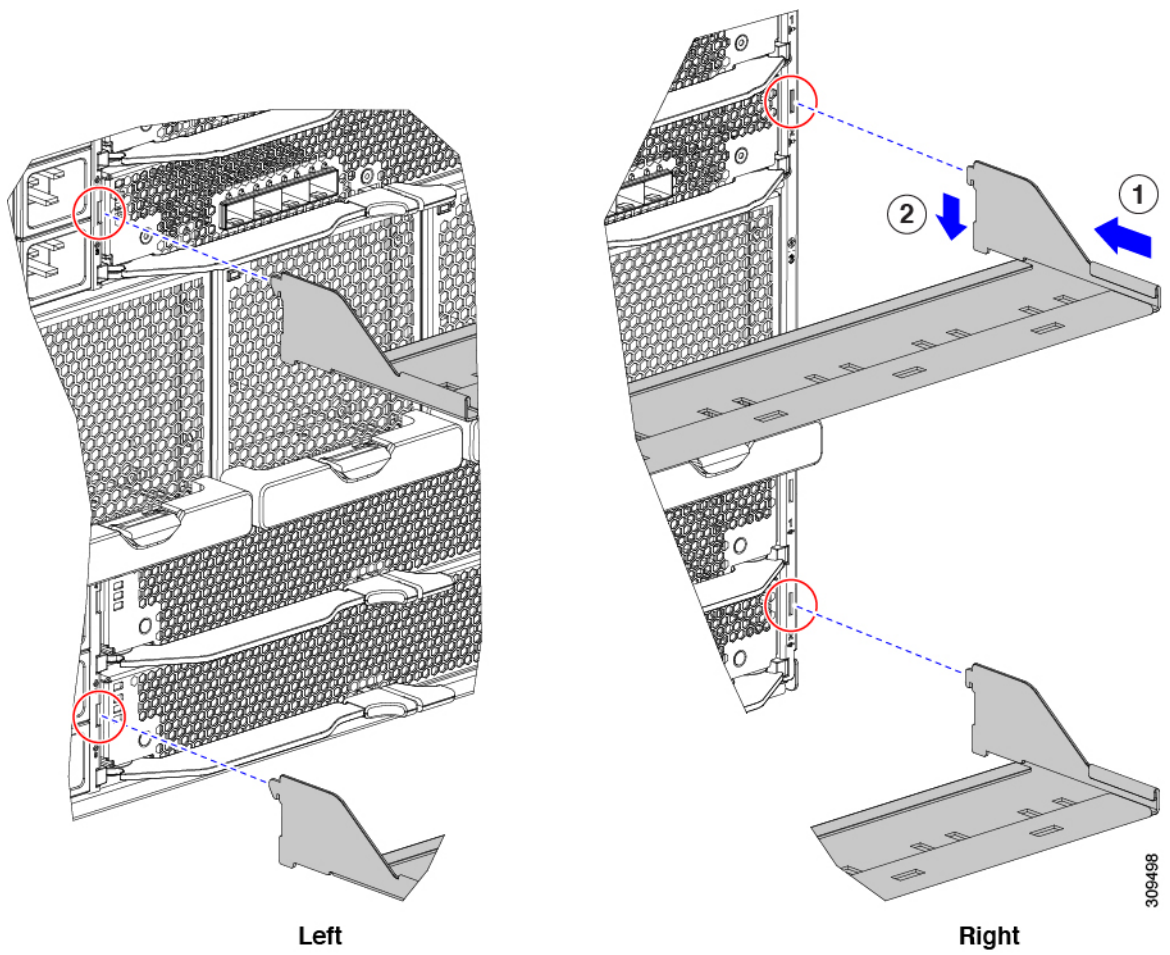
Installing the Cable Management Tray

For IFM cables, you can use the cable management tray to gather and organize the cables. The tray attaches to notches in the server chassis sheet metal.

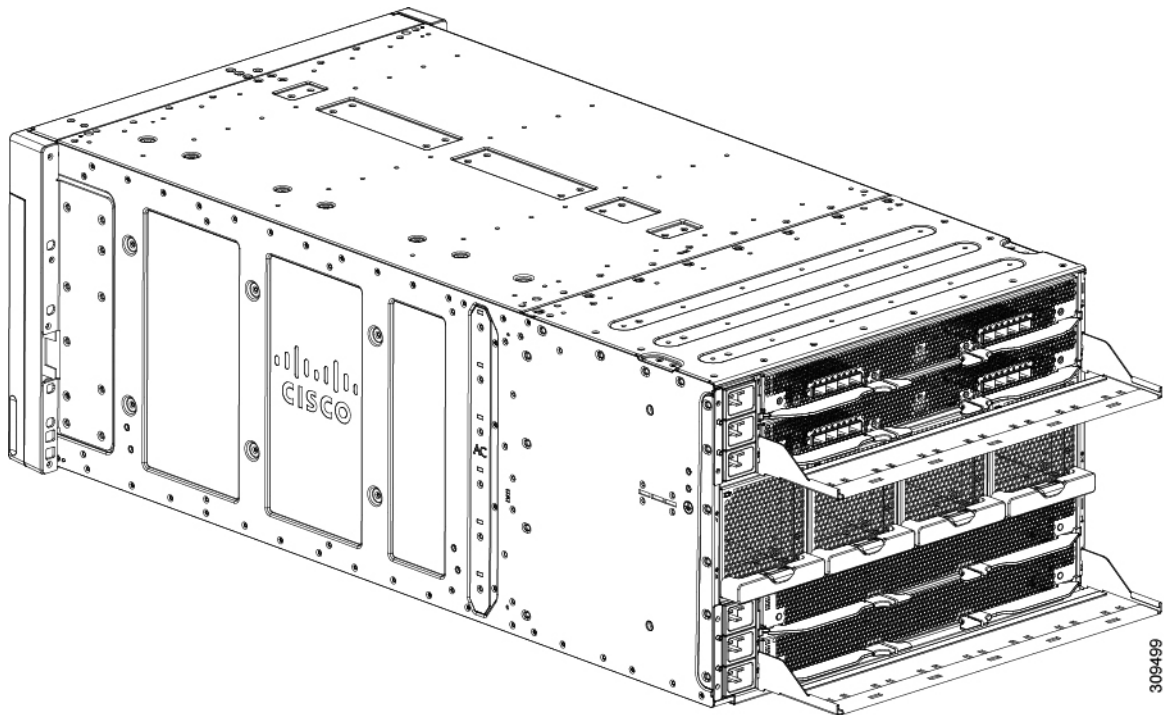
Use the following procedure to install the cable management tray.

-
- Step 1** Orient the cable management tray so that the hooks are at the top and facing toward the chassis.
- Step 2** Attach the cable management tray to the chassis.
- a) Align the hooks on the cable management tray with the rectangular notches in the server chassis.
 - b) Holding the cable management tray level, insert the hooks into the notches.
 - c) When the cable management tray is flush against the chassis, push down to seat the hook into the notch.

Installing the Cable Management Tray



Step 3 Repeat this procedure as needed to install the other cable management trays, if needed.



Step 4 Attach any IFM cables as needed.

Removing the Cable Management Tray

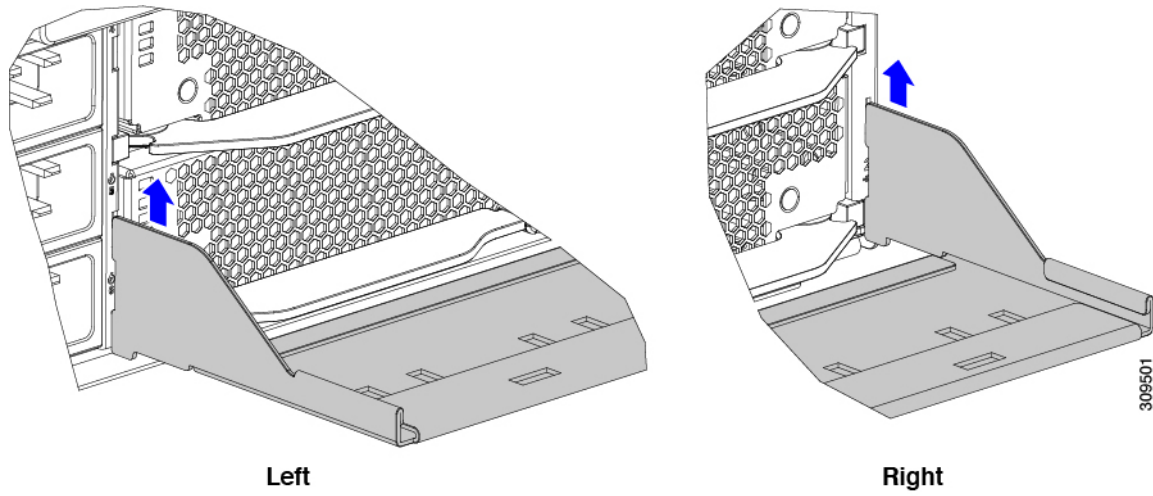
Use the following procedure to remove the cable management tray(s).

Step 1 (Optional) Remove or lift the cables to allow easier access to the cable management tray.

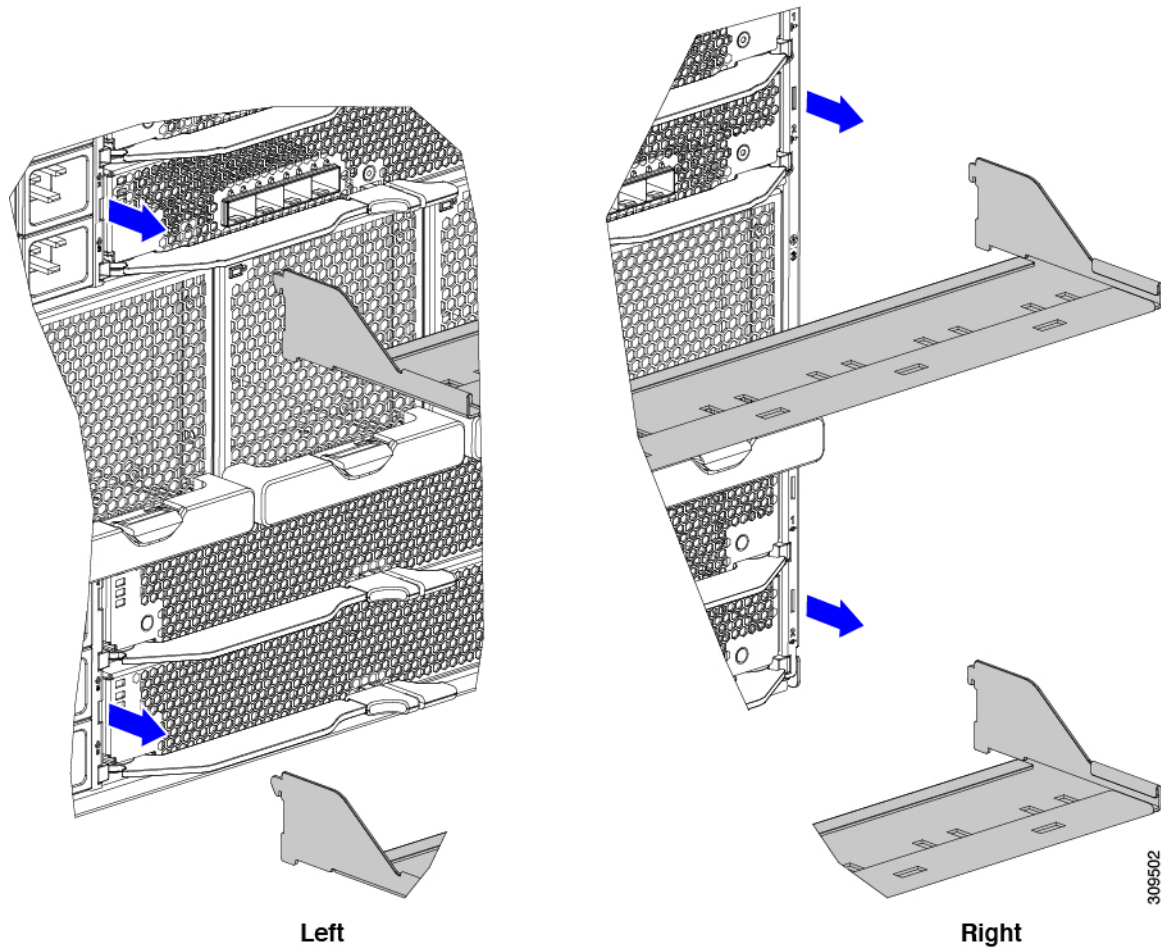
Step 2 Detach the cable management tray from the chassis.

- a) At each corner of the cable management tray, apply equal pressure to slide the tray upward in the chassis notch until it can no longer slide up.

Removing the Cable Management Tray



b) Holding the cable management tray level, pull it towards you to detach the tray from the chassis.



Removing the Chassis from a Rack

- Step 1** Use Cisco Intersight to do the following:
- Shut down the OS on all nodes in the chassis.
 - Disable the Smart Call Home feature.
 - Decommission the chassis.
- Step 2** Disconnect the power cords and networking cables from the chassis.
- Step 3** Remove all modules, fans, power supplies, and nodes from the chassis to lighten its weight.
- Step 4** Remove the screws holding the front rack-mount flange to the rack.
- Step 5** With two people holding the chassis, make sure that its weight is fully supported.

Important Watch your hands and fingers whenever you handle the chassis, modules, compute nodes, and components! Narrow vertical or horizontal spaces in situations including, but not limited to, moving the chassis into or out of the shipping container or equipment rack can cause pinch hazards for your hands and fingers.

Although they do not eliminate the possibility of pinching, the chassis has defined grasp points to facilitate handling and moving it. For information about chassis grasp points, see [Handling the Chassis, on page 27](#).

- Step 6** Gently slide the chassis off the rails, and out of the rack.
- Step 7** Replace the modules, fans, power supplies, and nodes in the server chassis.
- If you are returning the product, go to [Repacking the Chassis, on page 77](#).
-

Repacking the Chassis

If you need to repack the chassis, remove it from the rack by following the steps in the [Removing the Chassis from a Rack, on page 77](#) section.

When repacking the chassis for return shipment, be aware of the following.



Warning Only lift an empty chassis! Make sure that all PSUs, fans, nodes, Intelligent Fabric Modules, and X-Fabric Modules are removed from the chassis before moving it out of the rack and packing it for shipment.



Warning When the chassis is out of the rack, make sure to install the handles onto the chassis before putting the chassis on the bottom palette. The handles are also securing brackets that bolt the chassis onto the bottom pallet.

If possible, use the original packing materials and container to pack the chassis.

If needed, you can order spare packaging from Cisco by using PID UCSX-9508-PKG=.

If you are returning the chassis to Cisco, contact your Cisco customer service representative to arrange for return shipment to Cisco.



CHAPTER 3

Installing and Removing Components

This chapter contains the following topics:

- [Components, on page 79](#)
- [Installing and Removing a Compute Node Blank, on page 88](#)
- [Installing and Removing a Compute Node, on page 92](#)
- [Installing and Removing Power Supplies, on page 95](#)
- [Replacing a PSU Blank, on page 99](#)
- [Replacing the PSU Keying Bracket, on page 102](#)
- [Replacing the Power Entry Modules \(PEMs\), on page 105](#)
- [Installing and Removing a Fan Module, on page 110](#)
- [Installing and Removing a Rear Module's Fan, on page 113](#)
- [Installing and Removing an Intelligent Fabric Module, on page 116](#)
- [Installing and Removing an X-Fabric Module, on page 119](#)
- [Installing and Removing the UCS X-Fabric Module Blank, on page 122](#)
- [Recycling Printed Circuit Boards, on page 124](#)

Components

The following figure shows an empty Cisco UCS X9508 server chassis and identifies the front, back, and vertical node slots, and horizontal module slots.

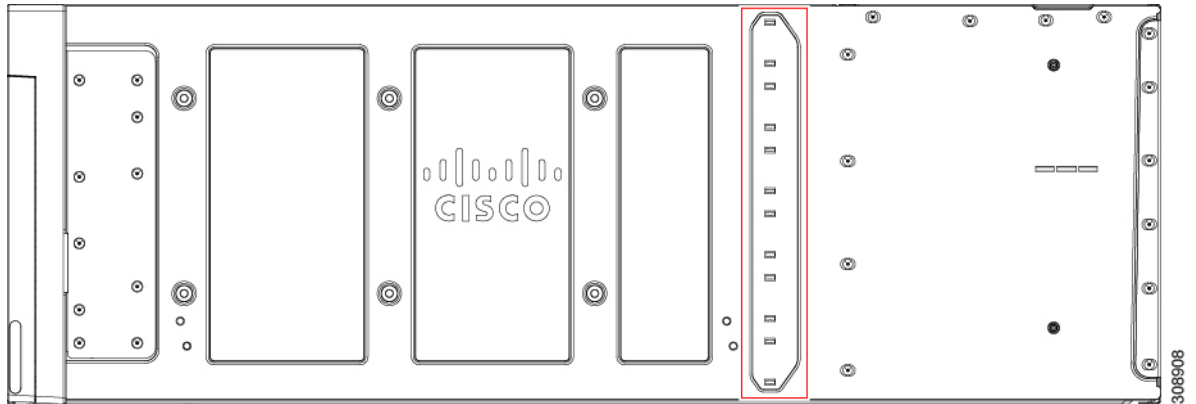


Note Before you remove or install components, please ensure that all software applications are shut down and management software is in a good state.



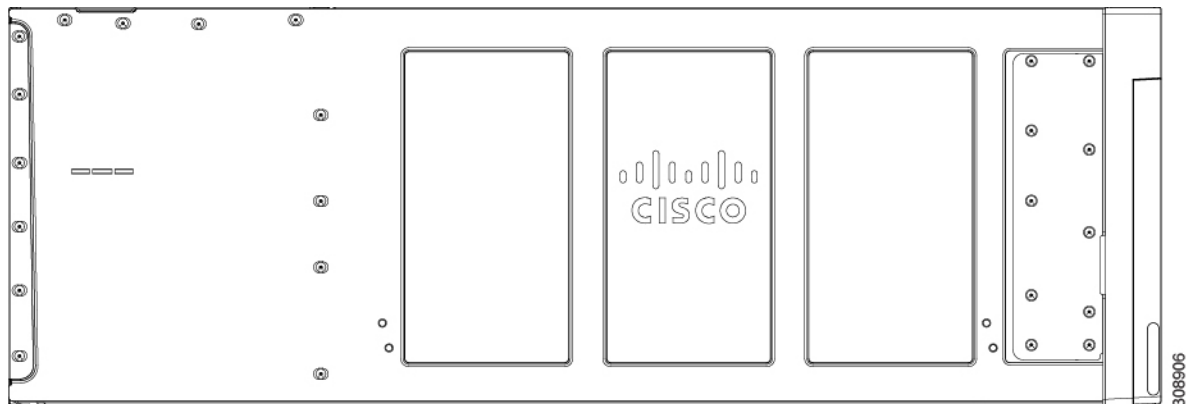
Note Whenever you remove a module from the chassis for an extended period of time, always replace the module with the appropriate blank panel. Failing to do so can result in heating and EMI issues. Blank panels can be ordered from Cisco Systems.

Figure 37: View of Cisco UCS X9508 Server Chassis, Right Side



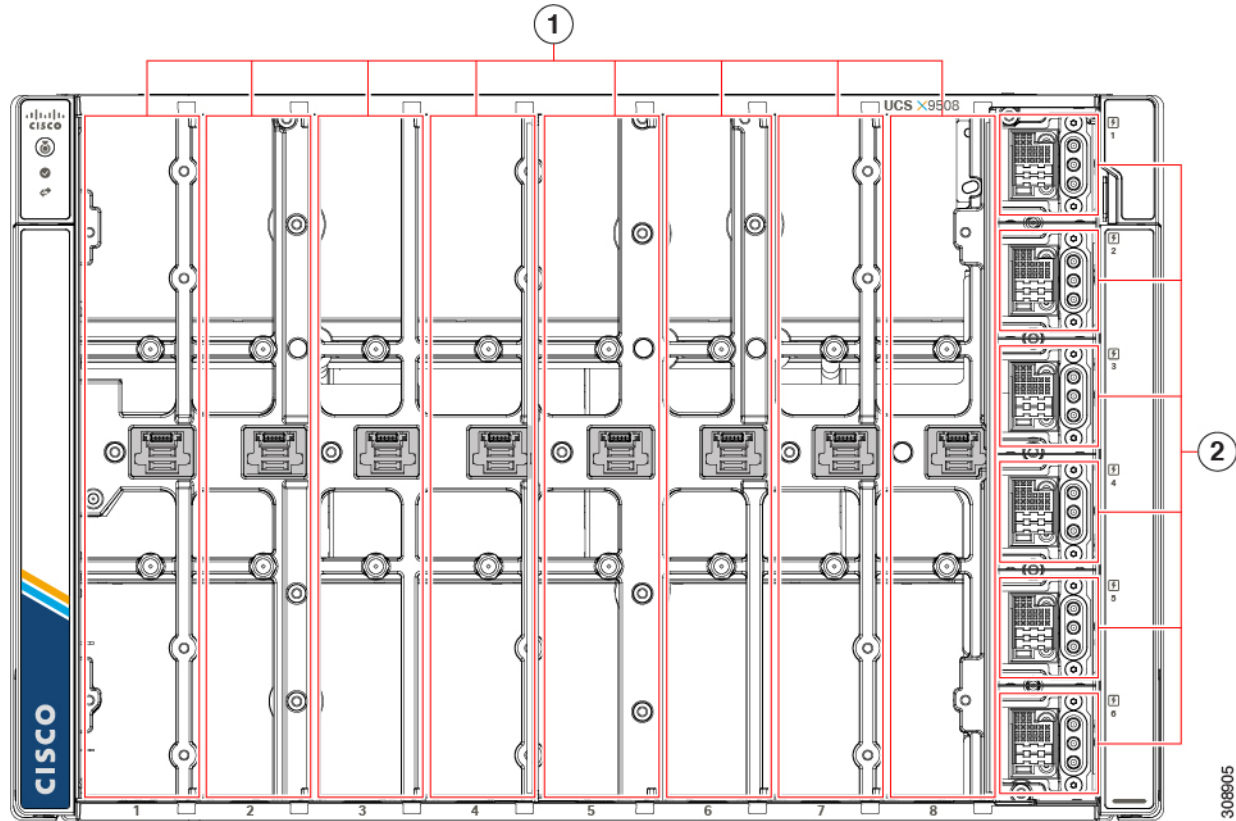
The side of the chassis has no handles because the chassis is heavy, and not intended to be lifted unless you are using a scissor lift or another type of mechanical lift device to bear the weight of the chassis. The right side of the chassis has the PSU Keying Bracket which enforces proper PSU orientation as well as proper PSU type.

Figure 38: View of UCS X9508 Server Chassis, Left Side



The left side of the chassis has no handles.

Figure 39: View of Empty Cisco UCS X9508 Chassis, Front



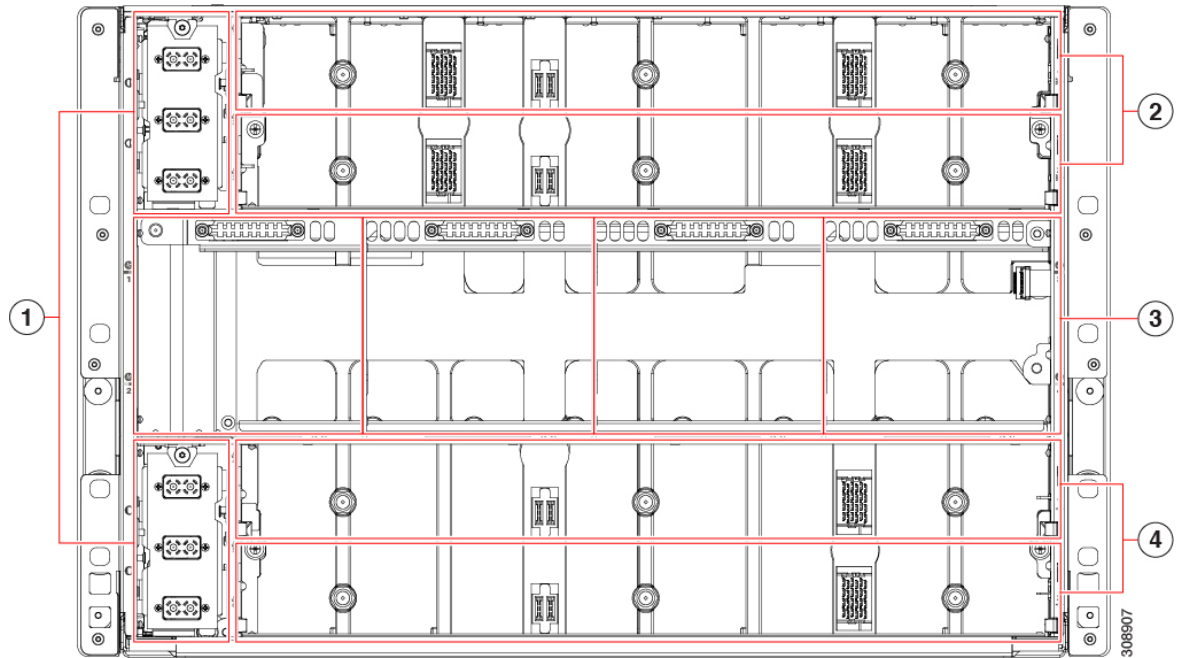
<p>1</p>	<p>Node slots (8). Each slot is numbered horizontally below each slot. Compute nodes and PCIe nodes can be inserted vertically and connect to the power socket for each slot.</p>	<p>2</p>	<p>PSU bays (6). Each PSU bay is numbered vertically to the right of the bay. Each PSU bay is keyed so that the PSU inserts only one way.</p>
----------	---	----------	---

The front of the chassis accepts up to 8 Cisco UCS X210c M6 compute nodes with connections for power and basic signaling through the per-slot socket connections to the midplane. The front of the server chassis also hosts up to 6 PSUs providing power to the chassis power plane through internal connectors. PSUs are numbered one through six with PSU bay one as the topmost slot and PSU bay 6 on the bottom.



Caution Any node slot that is not occupied must have a compute node blank panel (UCSX-9508-FSBK) installed.

Figure 40: View of the UCS X9508 Server Chassis, Rear View



1	Power Entry Modules (2) Each PEM houses three IEC 320 compatible C20 power inlets inlet facility power.	2	IFM slots (2)
3	Fan Bays (4) Fans are numbered 1 through 4 with fan 1 as the leftmost.	4	Expansion Slots (2)

The top of the chassis rear contains up to two Intelligent Fabric Modules (IFMs). Power connections and minimal signaling are supported through the per-slot socket connections to the midplane. Three vertically stacked Power Entry Module (PEM) connectors are also supported, which correspond with PSUs one through three, with PSU one as the topmost connector.

The middle of the chassis rear houses up to four fan modules and power is supplied through one connector per fan module. Fans are numbered from one to four with Fan 1 being the leftmost fan, and Fan 4 being the right most.

The bottom of the chassis rear houses two active fan modules. Power connections and minimal signaling are supported through the per-slot socket connections to the midplane. Three vertically stacked PEM connectors are also supported, which correspond with PSUs four through six, with PSU four as the topmost connector.



Note Before you install, operate, or service the system, see the [Regulatory Compliance and Safety Information for Cisco UCS](#) for important safety information.

**Warning****IMPORTANT SAFETY INSTRUCTIONS**

This warning symbol means danger. You are in a situation that could cause bodily injury. Before you work on any equipment, be aware of the hazards involved with electrical circuitry and be familiar with standard practices for preventing accidents. Use the statement number provided at the end of each warning to locate its translation in the translated safety warnings that accompanied this device. Statement 1071

SAVE THESE INSTRUCTIONS**Warning**

This unit is intended for installation in restricted access areas. A restricted access area can be accessed only through the use of a special tool, lock and key, or other means of security. Statement 1017

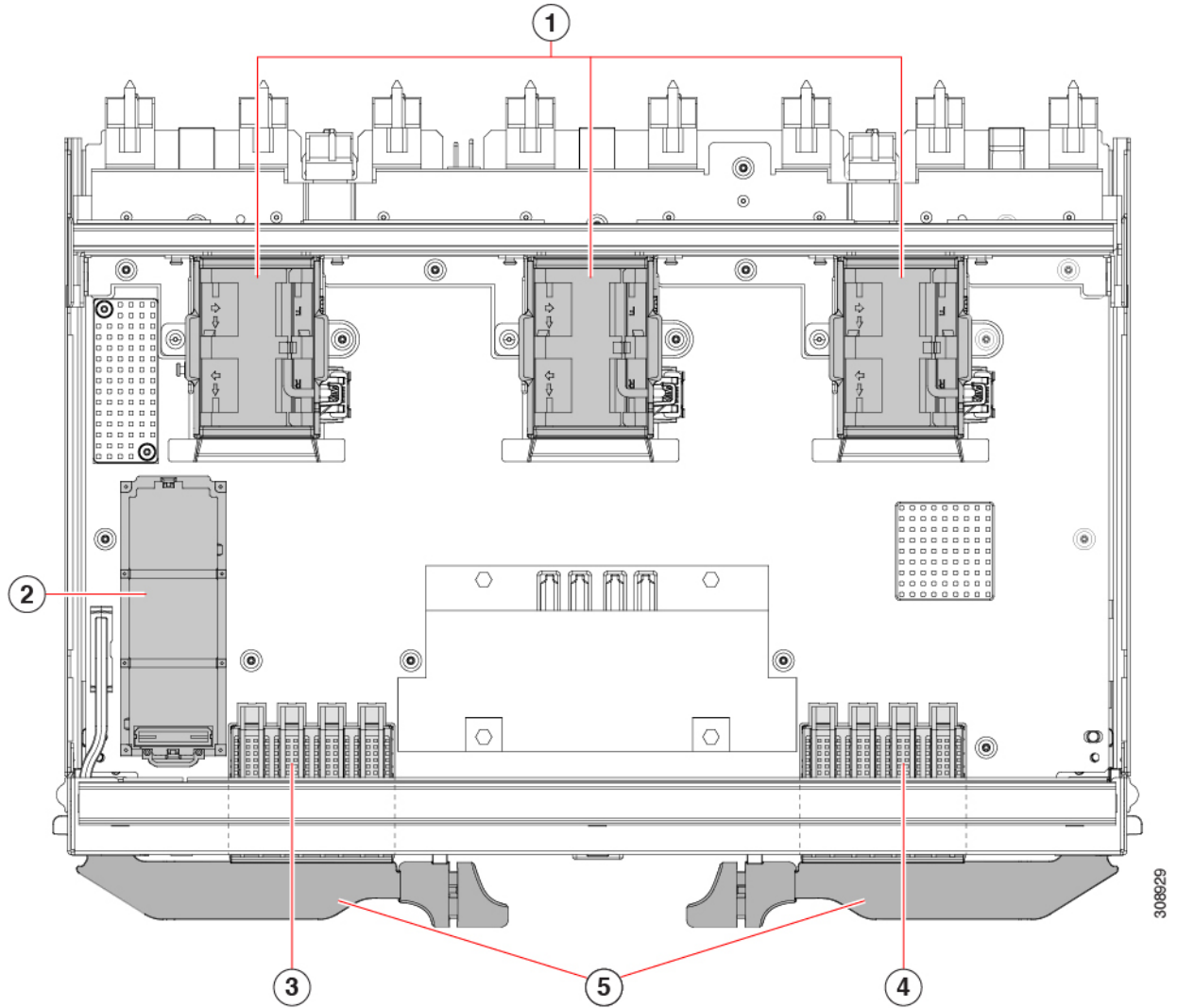
**Warning**

Only trained and qualified personnel must be allowed to install, replace, or service this equipment. Statement 1030

Cisco UCS 9108 25G IFM Components

The Cisco UCS 9108 25G Intelligent Fabric Module has the following board-level components.

Figure 41: UCS 9108 25G Intelligent Fabric Module, Component View

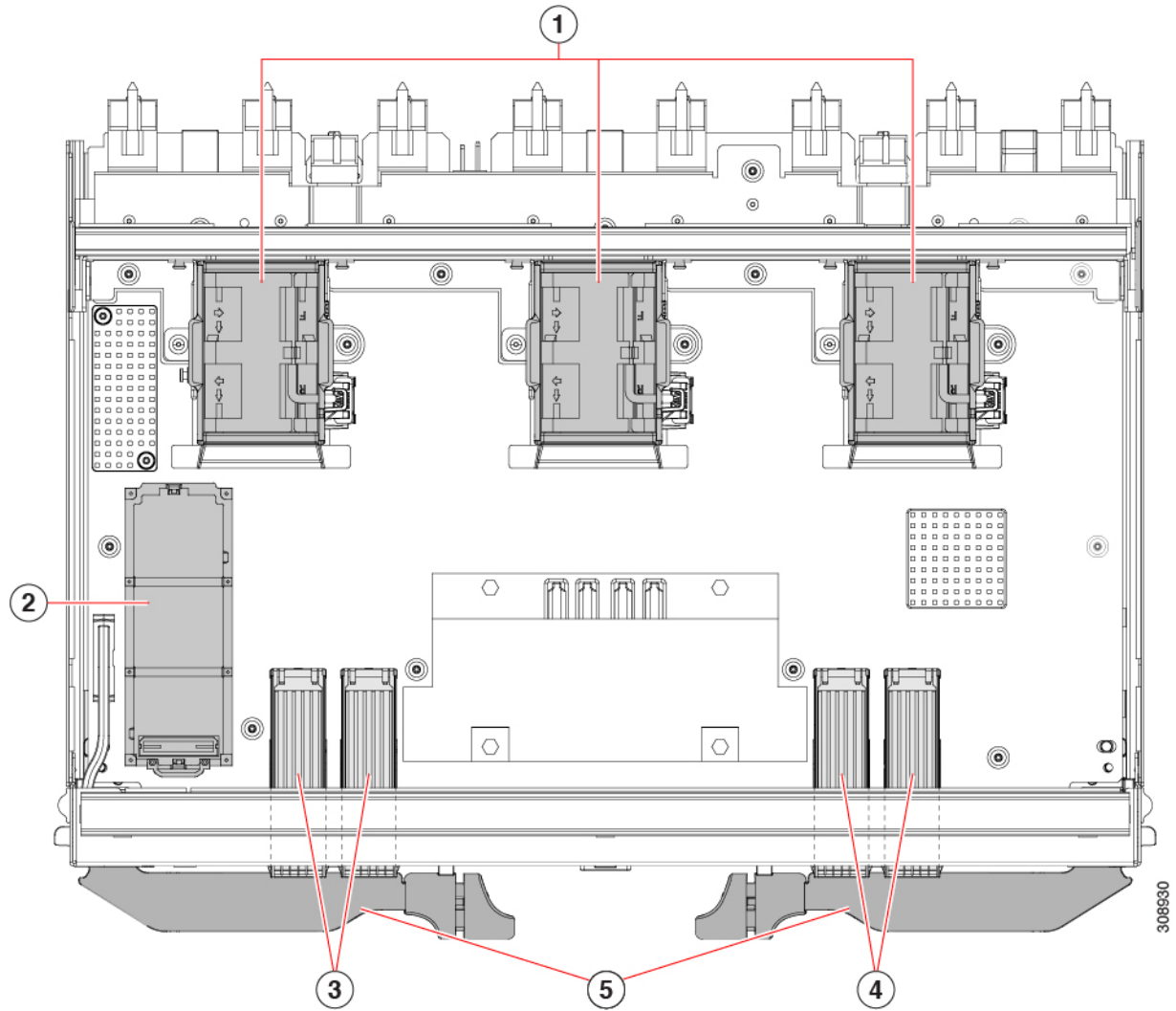


1	Fans (UCSX-RSFAN=), three, which are numbered 1 through 3 starting with the left fan.	2	One M.2 mini storage module slot
3	SFP28 Optical Ports. Ports are arranged in two groups of four physical ports. Port number 1 is the left port in this group, and port number 4 is the right port in the group.	4	SFP28 Optical Ports. Ports are arranged in two groups of four physical ports. Port number 5 is the left port in this group, and port number 8 is the right port in the group.
5	IFM ejector handles, left and right		

Cisco UCS 9108 100G IFM Components

The Cisco UCS 9108 Intelligent Fabric Module (UCS-I-9108-100G) has the following board-level components.

Figure 42: UCS 9108 100G Intelligent Fabric Module, Component View



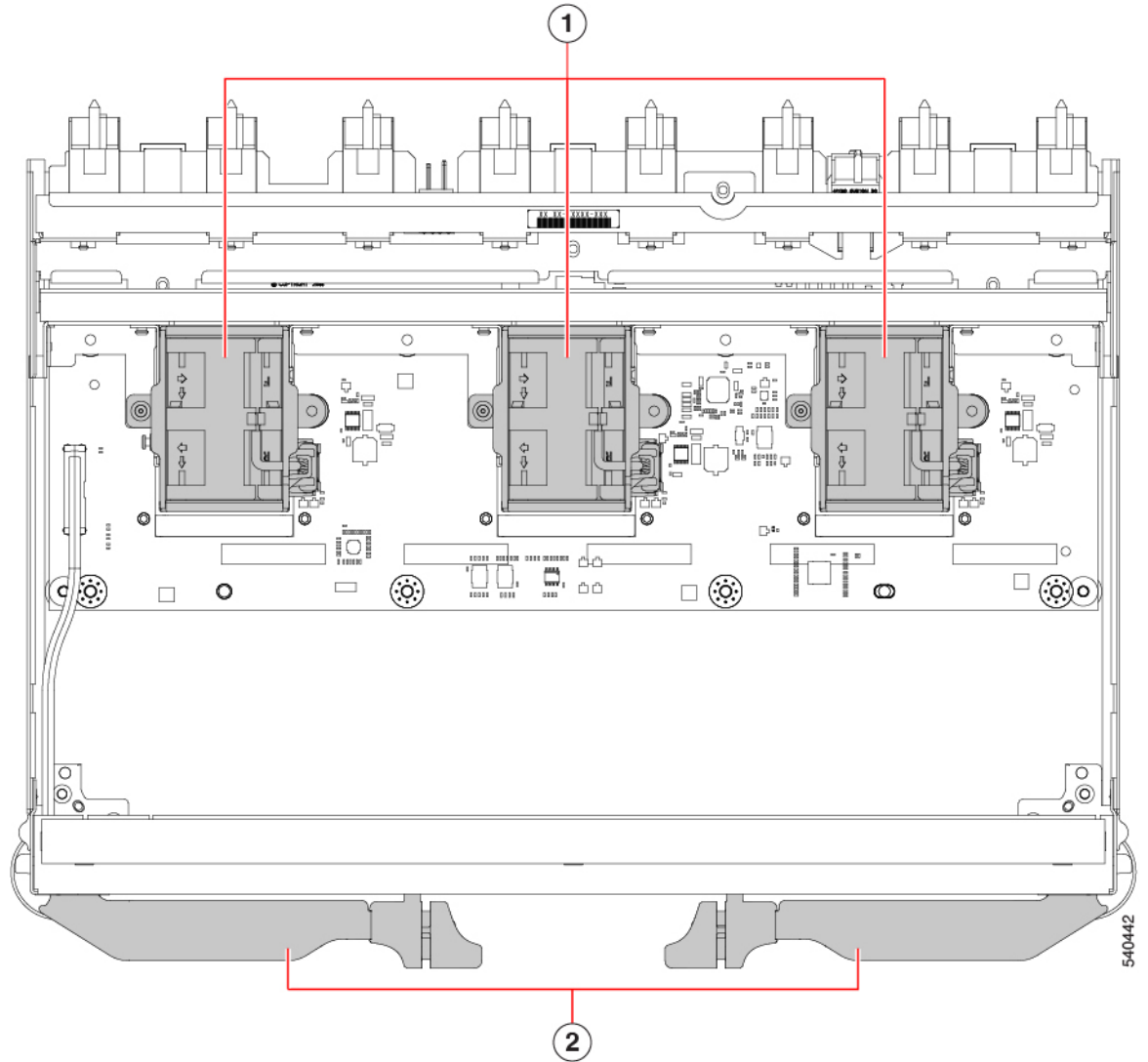
1	Fans, (UCSX-RSFAN=), three, which are numbered 1 through 3 starting with the left fan	2	One M.2 mini storage module slot
---	---	---	----------------------------------

3	<p>QSFP28 Optical Ports.</p> <p>Ports are arranged in two groups of four physical ports. Ports are stacked in vertical pairs, with two ports in each vertical port stack.</p> <p>Port number 1 is the top port of the left port pair in this group, and port number 3 is the top port of the right port pair in the group.</p>	4	<p>QSFP28 Optical Ports.</p> <p>Ports are arranged in two groups of four physical ports. Ports are stacked in vertical pairs, with two ports in each vertical port stack.</p> <p>Port number 5 is the top port in the left port pair of this group, and port number 7 is the top port in the right port pair of the group.</p>
5	IFM ejector handles, left and right		

Cisco UCS X9416 Fabric Module Components

The Cisco X9416 module (UCSX-F-9416) has the following components.

Figure 43: UCS X9416 Fabric Module, Component View

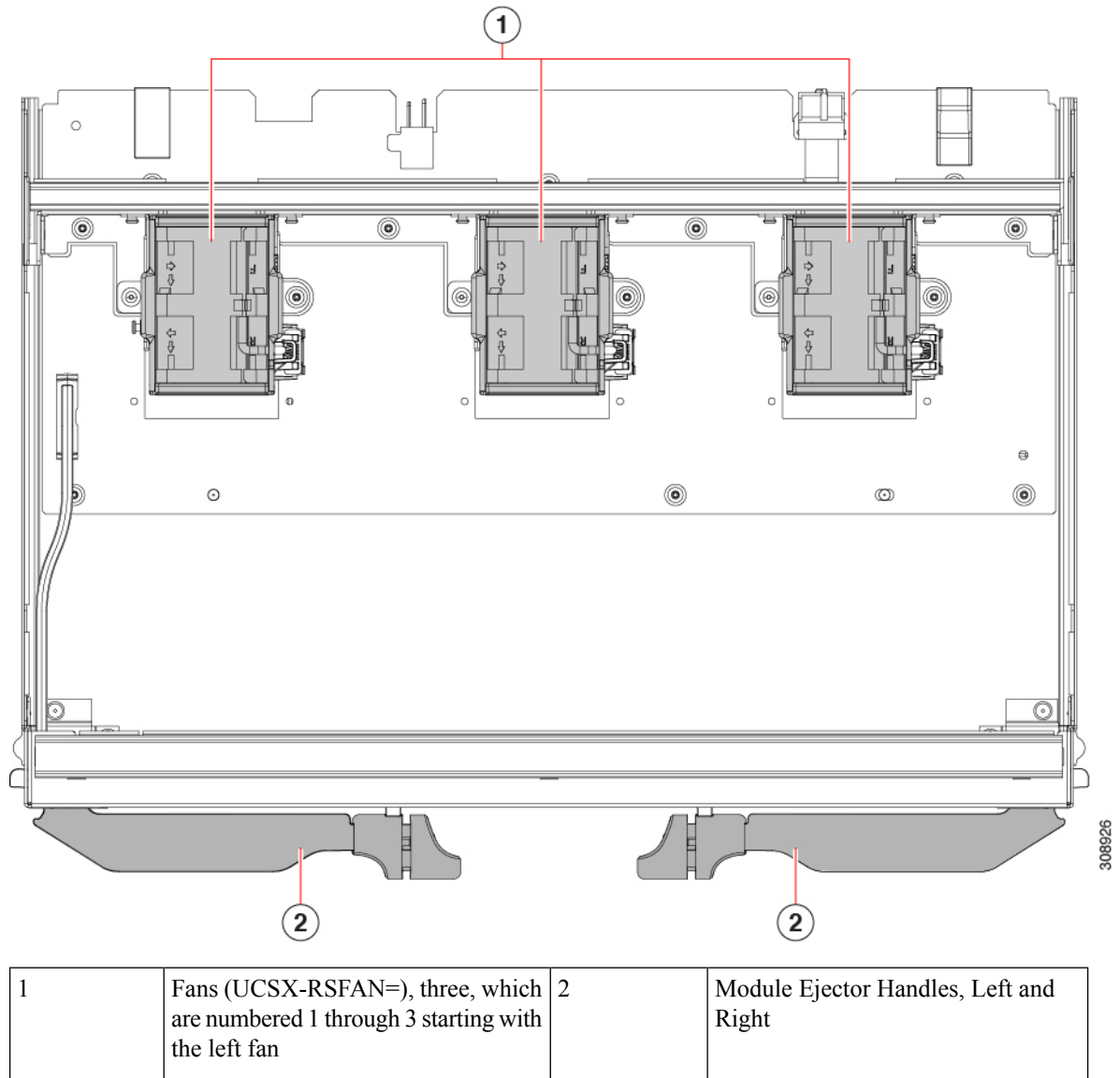


1	Fans (UCSX-RSFAN=), three, which are numbered 1 through 3 starting with the left fan	2	Module Ejector Handles, Left and Right
---	--	---	--

Cisco UCS X-Fabric Module Blank Components

The Cisco X-Fabric Module Blank (UCSX-9508-RBLK) has the following components.

Figure 44: UCS X-Fabric Module Blank, Component View



Installing and Removing a Compute Node Blank

The UCS X9508 supports up to 8 compute nodes, with a minimum configuration of one compute node. If compute node slots do not contain a compute node, you must install a compute node blank.

Use these procedures to replace a compute node blank:

- [Installing a Compute Node Blank, on page 90](#)
- [Removing a Compute Node Blank, on page 89](#)

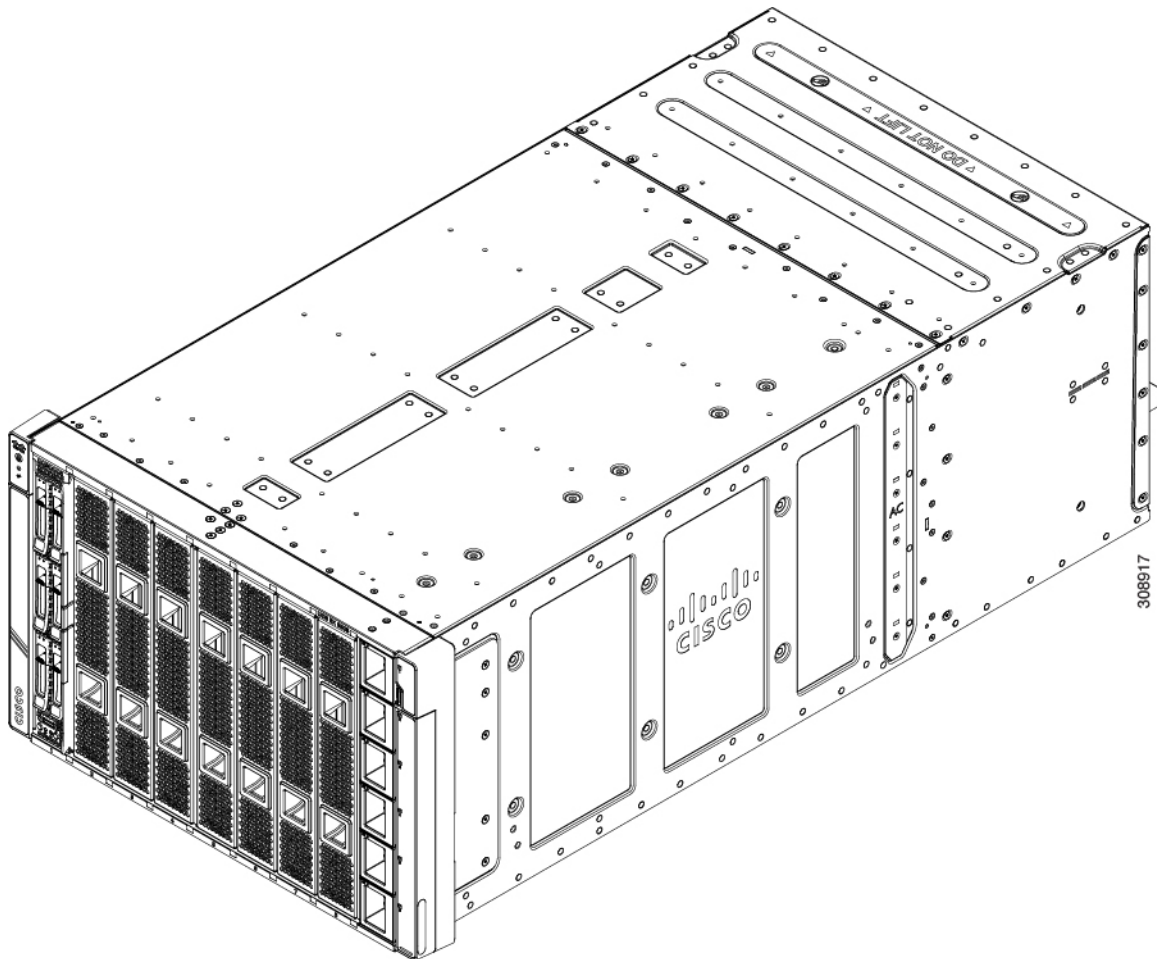
Removing a Compute Node Blank

Do not operate the server chassis with an empty compute node slot. Fill any empty compute node slots with either a blank (UCSX-9508-FSBK) or a compute node.

Use this task to remove a compute node blank.

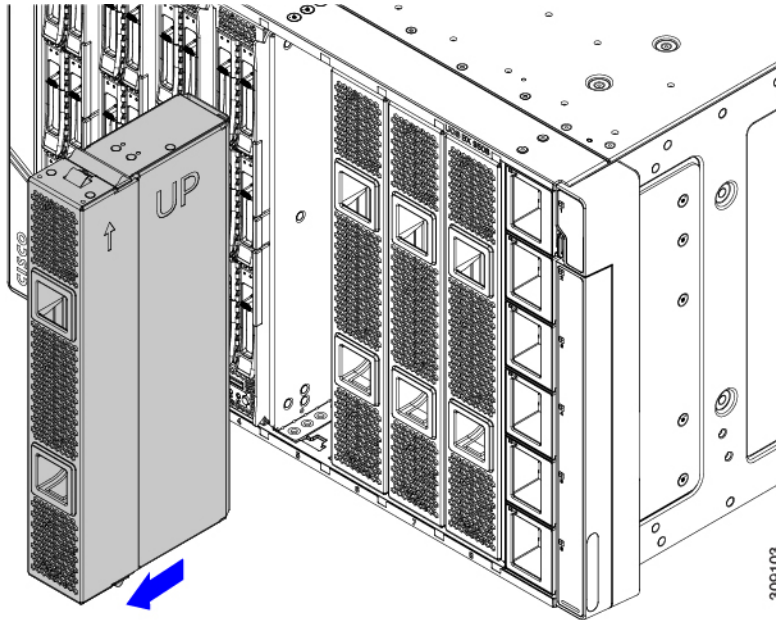
Step 1 Grasp the compute node by the finger holds.

Figure 45: Compute Node Blanks, Installed



Step 2 Pull the compute node blank towards you until it is completely removed from the chassis.

Notice that the module blank has indicators that show how to orient the blank. You will use this information when you install a blank.

Figure 46: Removing a Compute Node Blank**What to do next**

Choose the appropriate option:

- [Installing a Compute Node, on page 92](#)
- [Installing a Compute Node Blank, on page 90](#)

Installing a Compute Node Blank

If you remove a compute node, and you will not be installing another compute node, you must install a compute node blank. Do not operate the server with an empty compute node slot. The minimum configuration is 1 installed compute node, so in this configuration you need 7 module blanks installed.

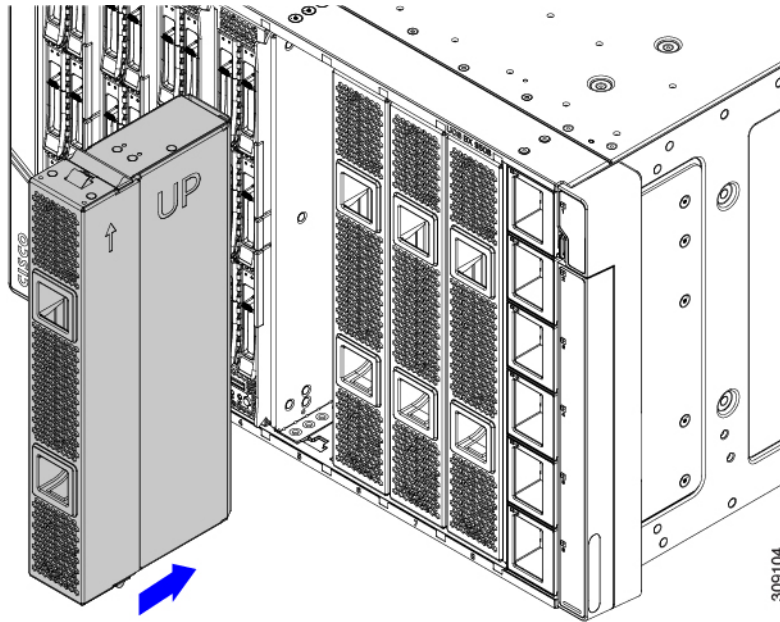
Compute node blanks are interchangeable within the same chassis or other chassis.

Use this task to install a compute node blank

Step 1 Grasp the blank by the finger holds.

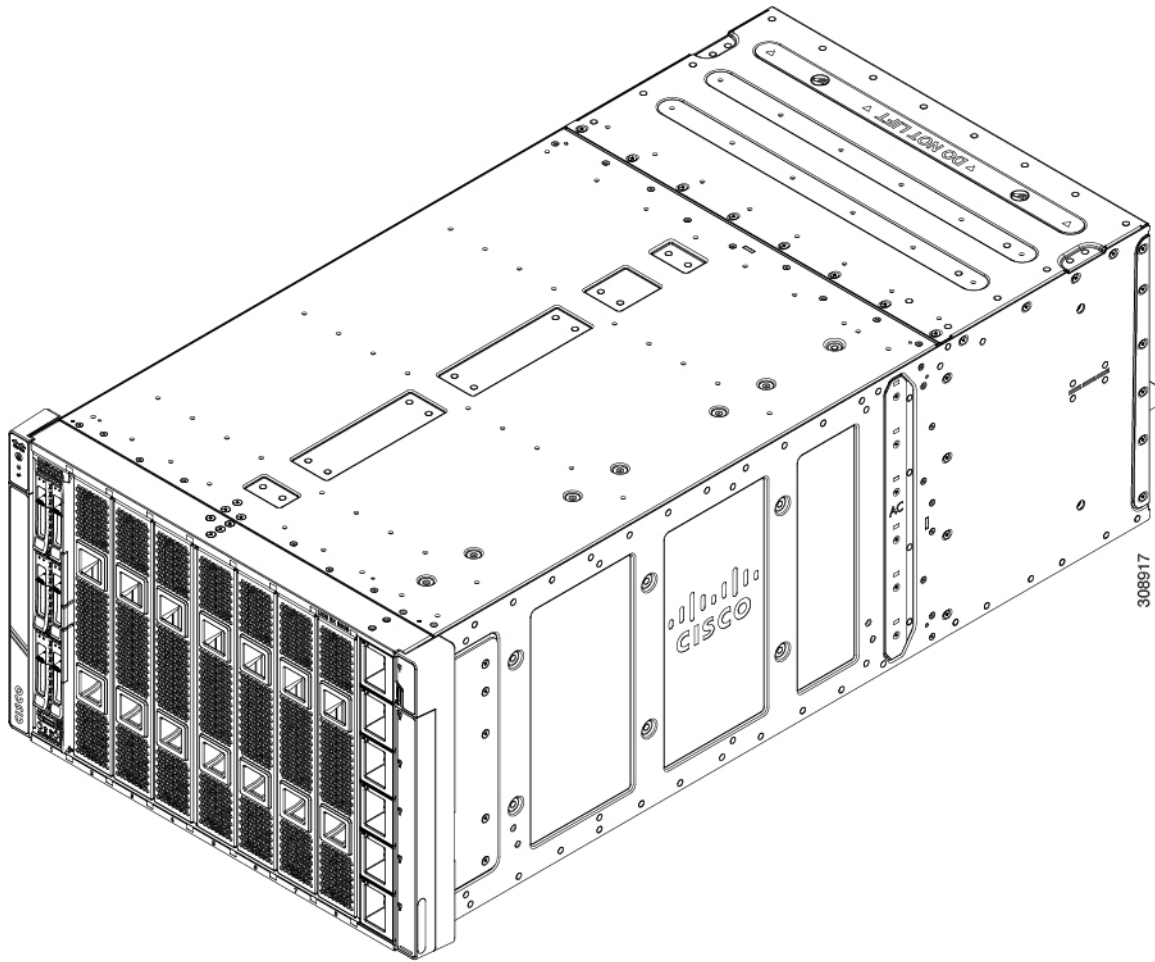
Step 2 Hold the module blank vertically and align the module blank with the slot.

Note The module blank has an arrow and the word UP that show how to orient the blank. Also, if you attempt to install the blank with the wrong orientation, the module does not sit flush with the front of the chassis.



Step 3 Keeping the compute node blank vertical, slide it into the slot until the blank is flush with the face of the chassis.

Figure 47: Installing a Compute Node Blank



Installing and Removing a Compute Node

The Cisco UCS X9508 server chassis supports full-height compute nodes. For details, see the *Installation and Service Note* for your compute nodes. See http://www.cisco.com/en/US/products/ps10280/prod_installation_guides_list.html



Caution When working with the compute nodes, handle them carefully to avoid damage to the modules, connectors, and pins.

Installing a Compute Node

Use this task to install a compute node in an empty slot.



Caution When working with the compute nodes, handle them carefully to avoid damage to the modules, connectors, and pins! Make sure that the modules are level during insertion and slide them into the chassis slowly.

Before you begin

If there is a module blank in the slot where you want to install a compute node, remove the blank now. See [Removing a Compute Node Blank](#), on page 89.

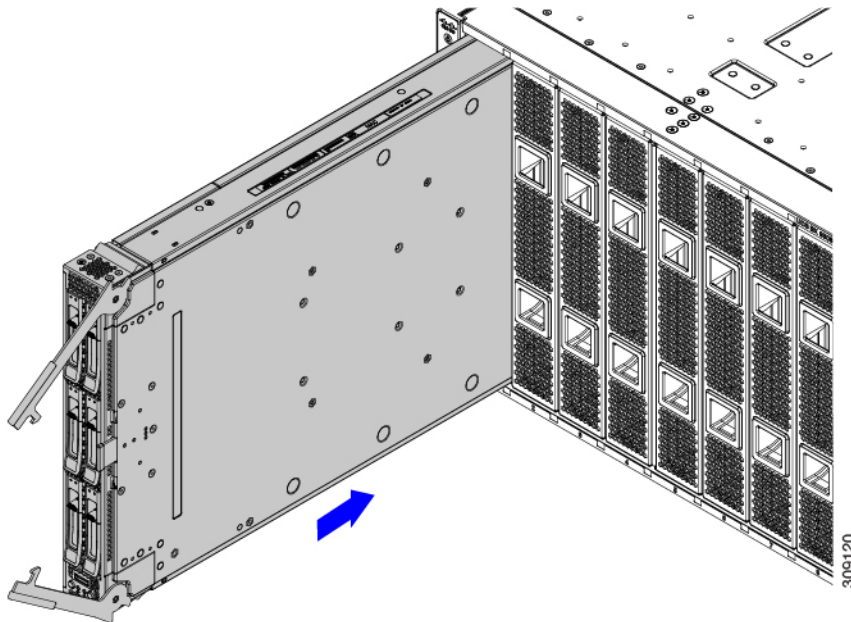
Compute nodes are shipped with the ejector handles closed and locked. Each compute node has a release button in the center of the node that releases the ejectors from the locked position.

Step 1 Press the release button at the center of the compute node faceplate to release the ejectors.

Caution The ejectors have a hook at the pivoting end that attaches to the compute node. While you are inserting the compute node, keep the ejectors open as shown in the following illustration. If the ejectors are not open, the hook can be an obstruction while sliding the node into the chassis.

Step 2 Holding the compute node vertical, align it with the empty module bay in the chassis. The compute node is correctly aligned when the server top cover is pointing to the left.

Figure 48: Aligning and Installing a Compute Node



Step 3 Keeping the compute node vertical, slowly slide it into the chassis.

As the compute node is almost completely installed, you might feel some resistance. This resistance is normal. It occurs because the connectors at the rear of the compute node contacts the connector on the inside of the chassis.

Caution Make sure to apply even pressure when sliding the module into the chassis. Do not push down or pull up on the module handles, and do not apply more force to one ejector handle than the other.

Step 4 When the compute node is almost completely installed, grasp the ejector handles and arc them toward each other.

This step seats the compute node into the connector. The compute node should power up.

Caution Make sure to apply even pressure when closing the module ejector handles! Do not push down or pull up on the module handles, and do not apply more force to one ejector handle than the other.

Step 5 Push the ejectors until they are parallel with the face of the compute node.

When the compute node is completely installed, the retention latches at the end of each handle click into place.

Removing a Compute Node

Use this task to remove a compute node.



Caution When working with the compute nodes, handle them carefully to avoid damage to the modules, connectors, and pins! Make sure that the modules are level during removal and slide them out of the chassis slowly.

Before you begin

Do not operate the server with an empty compute node slot. If you will not be installing a compute node in an empty slot, install a compute node blank to cover the empty slot.

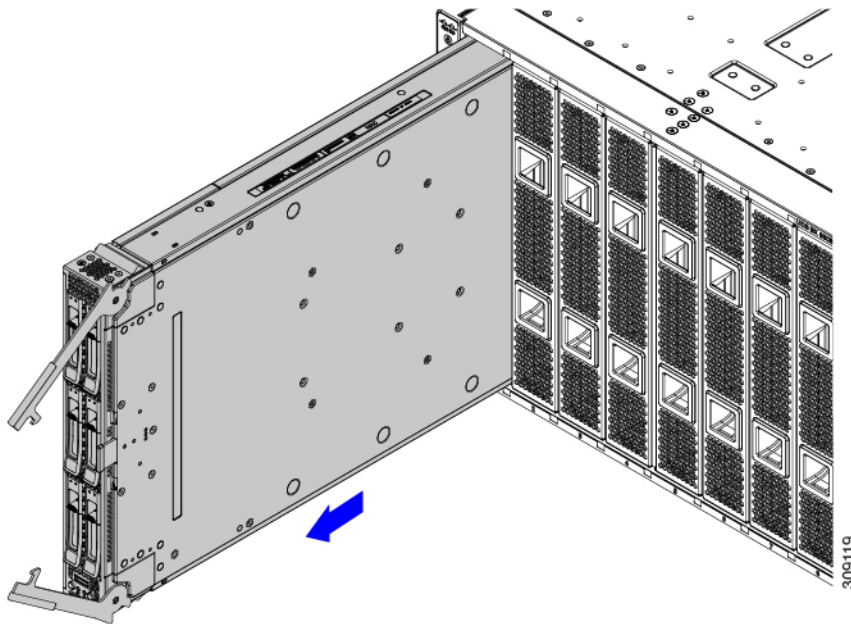
Step 1 Press the release button at the center of the compute node faceplate to disengage the ejector handles.

Step 2 Grasp the ejector handles and pull them outward so that they arc vertically away from each other.

While moving the compute node handles, you might feel some resistance. This resistance is normal. It occurs because the connectors at the rear of the compute node are unseating from the corresponding sockets in the chassis.

Also, when the compute node disconnects from the midplane, the server powers off.

Figure 49: Removing a Compute Node



Step 3 Grasp the compute node handles and slide the compute node partially out of the chassis.

Make sure to keep the compute node vertical while removing it.

Caution Make sure to apply even pressure when sliding the module out of the chassis. Do not push down or pull up on the module handles, and do not apply more force to one ejector handle than the other.

Step 4 Place your other hand underneath the compute node to support it and slide the compute node completely out of the chassis.

What to do next

Fill the empty compute node slot. Go to the appropriate option:

- [Installing a Compute Node, on page 92](#)
- [Installing a Compute Node Blank, on page 90](#)

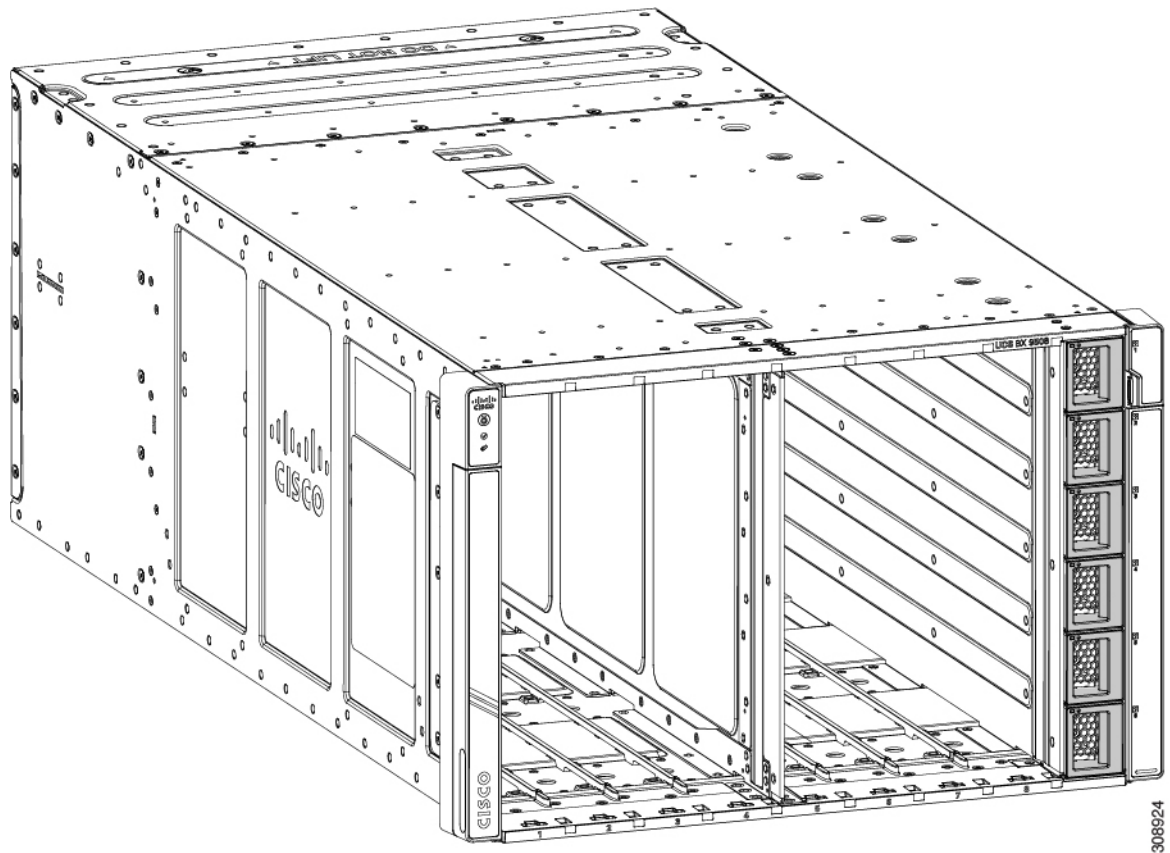
Installing and Removing Power Supplies



Note The power supplies are keyed to work only with their respective power expansion module (PEM), depending on the chassis version.

When installing and removing power supplies, make sure that the minimum number of power supplies are active before replacing the other PSUs. For example, in a 3+3 grid power configuration, at least 3 PSUs must be active before replacing the other 3 units one at a time per grid.

The PSUs are installed vertically along the side of the chassis.



PSU Population Rules

When you install PSUs, they must be equally divided into top and bottom PSU slots to ensure redundancy. See the following PSU population rules.

- For 2 PSUs: Install a PSU in slots 1 and 4. This is the minimum supported config.
- For 3 PSUs: Install a PSU in slots 1, 2, and 4.
- For 4 PSUs: Install a PSU in slots 1, 2, 4, and 5.
- For 5 PSUs: Install a PSU in slots 1, 2, 3, 4, and 5.
- For 6 PSUs: Install a PSU in all slots.

Any slots that do not contain a PSU must be covered by a PSU blank.

Installing a Power Supply

The Cisco UCS X9508 AC PSU does not have a discrete power switch. It powers on immediately when it is successfully connected to the power midplane. When installing a PSU, you must comply with the PSU population rules. See [PSU Population Rules, on page 96](#).

PSUs are hot swappable with a minimum population of two in the chassis to provide redundancy. PSUs are interchangeable and none are reserved through the management software.



Caution When connecting the chassis to facility power, make sure not to overload the capacity of a PDU or power strip. For example, do not connect all PSUs to one PDU or power strip that is not capable of carrying the total power draw of the chassis.

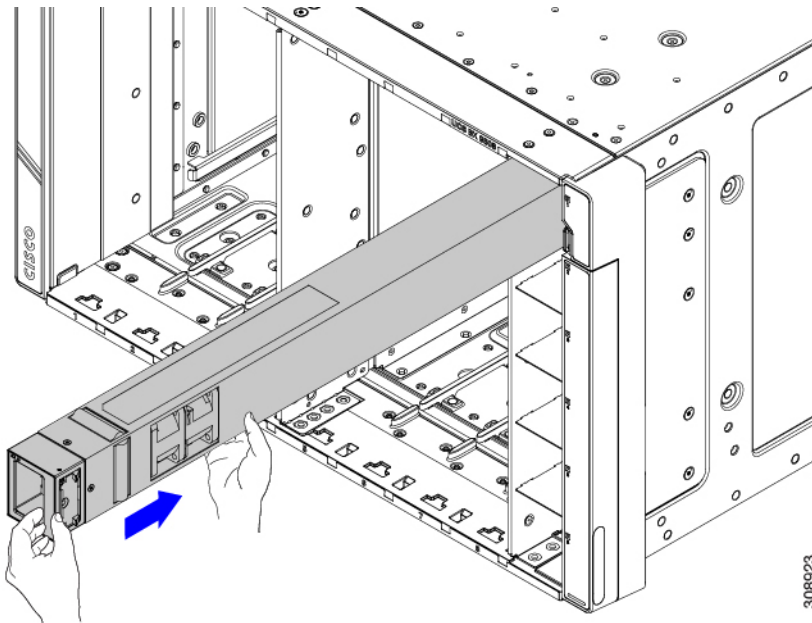
Use the following procedure to install the PSUs.

- Step 1** Grasp the PSU with one hand.
- Step 2** Use your other hand to support the PSU, and holding it level, orient it with the PSU bay. The PSU is correctly oriented when the latch is facing you and parallel with the right side of the PSU bay.
- Step 3** Holding the PSU level, slide it into the PSU bay.

Note When the PSU is almost all the way in, you will feel some resistance, which is normal. The resistance is the connector at the rear of the PSU meeting the power socket inside the chassis.

The PSU will power on when you have successfully seated it in its socket.

Figure 50: Installing a PSU



- Step 4** For each PSU that must be installed, repeat these steps.
- Step 5** Verify the power supplies are operating by checking the power supply LEDs. See [LED Locations, on page 16](#) and [Interpreting LEDs, on page 18](#).

Note Both grids in a power redundant system should have the same number of power supplies. If your system is configured for grid power (N+N redundancy), slots 1, 2 and 3 are assigned to grid 1, and slots 4, 5, and 6 are assigned to grid 2. If fewer than six power supplies (PS) are configured in grid redundant mode, they should be equally distributed between the grid 1 and grid 2 slots.

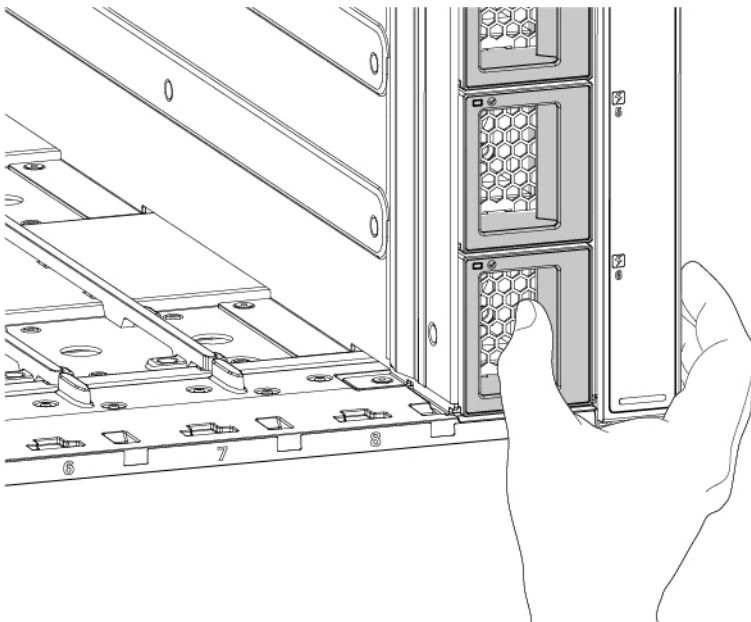
Removing a Power Supply



Caution If you are using the Cisco UCS X9508 server chassis with one power supply, which is a non-redundant power configuration. Removing the power supply will cause the compute nodes and chassis to shut down. If you are using more than two power supplies, and you remove one of them (the minimum supported power configuration is 3 PSUs), the servers continue to operate as long as the other power supplies are sufficient to meet the power requirements of the number of compute nodes in the chassis.

The PSU has a locking latch that secures the PSU in the chassis. You must unlock the latch to remove the PSU. You can expect some resistance as the PSU slides out due to its weight.

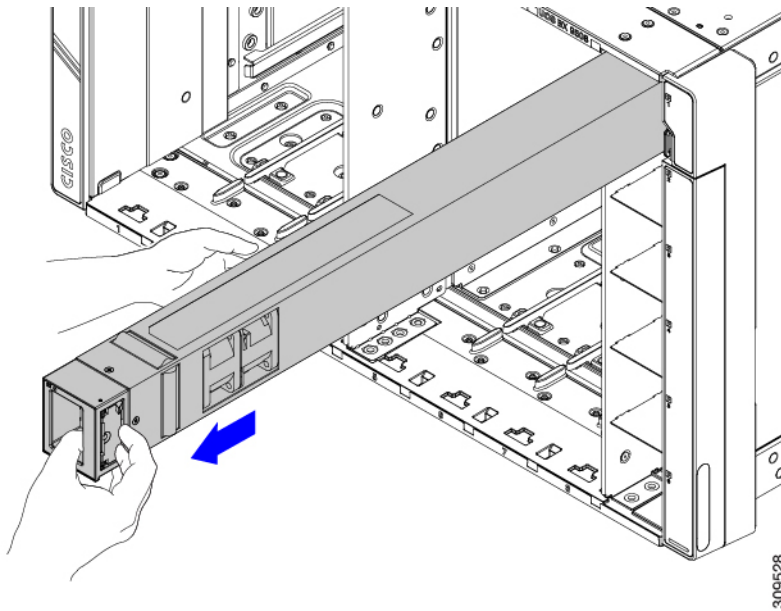
Step 1 Place your thumb on the PSU locking latch at the vertical fingerhold on the right side of the blank's faceplate and allow your other fingers to rest along the side of the chassis.



Step 2 Press the latch to unlock the PSU, then pull until it disengages from the power socket inside the chassis.

You will feel some resistance initially as the connector at the rear of the PSU unseats from the power socket inside the chassis.

Step 3 As you slide the PSU out of the chassis, use your other hand to support the PSU.



Step 4 Install a blank power supply filler panel if the power supply bay is to remain empty.

What to do next

Choose the appropriate option:

- If you will be reinstalling a PSU, go to [Installing a Power Supply, on page 96](#)
- If you will be installing a PSU blank, go to [Installing a PSU Blank, on page 101](#).

Replacing a PSU Blank

PSU blanks (UCSX-9508-PSUBK) are interchangeable, but if you will be operating the server chassis without a PSU, the empty bay must be covered with a PSU blank. Replace a PSU blank when you remove a PSU but will not install another PSU in that PSU bay, or when you remove a PSU blank and need to cover the empty PSU bay.

- [Removing a PSU Blank, on page 99](#)
- [Installing a PSU Blank, on page 101](#)

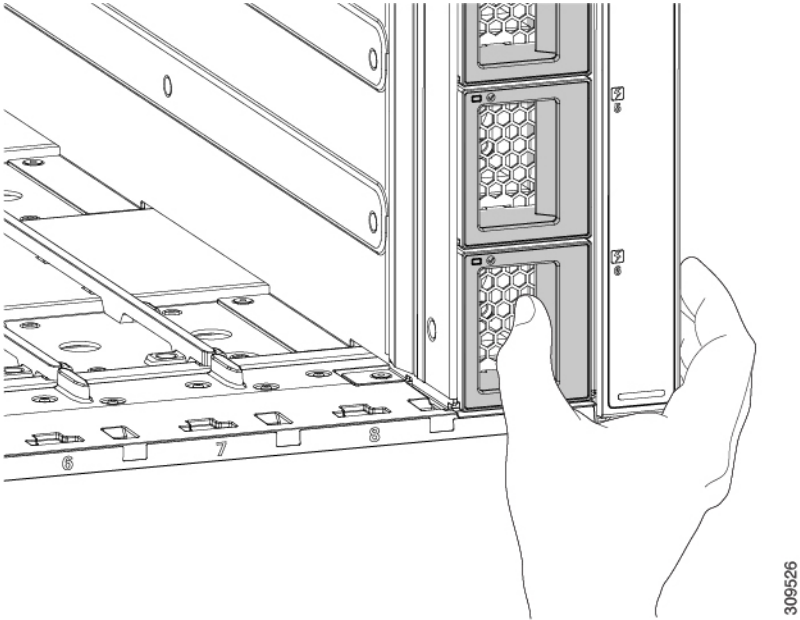
Removing a PSU Blank

Use this procedure to remove a PSU blank.



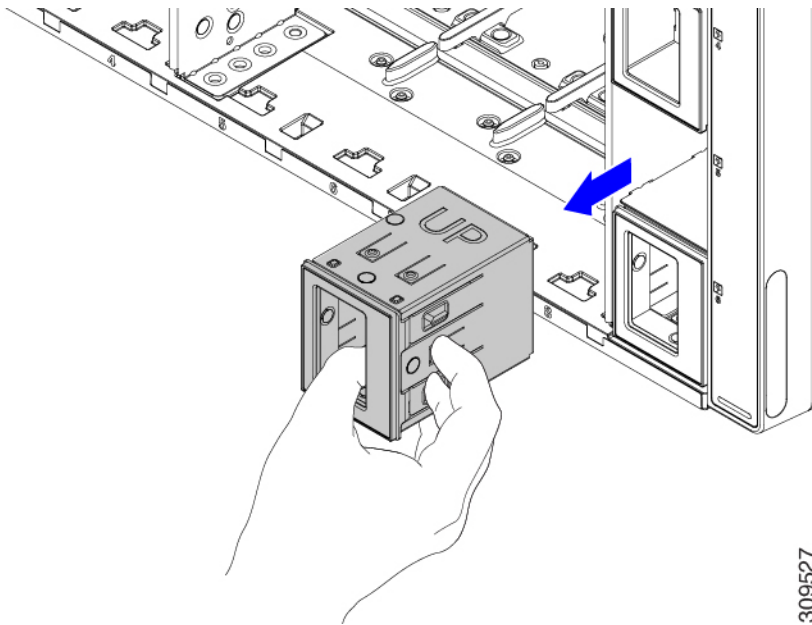
Note The PSU blank is a small plastic piece. It does not have a locking latch, so it slides out easily.

- Step 1** Place your thumb behind the vertical fingerhold on the right side of the blank's faceplate and allow your other fingers to rest along the side of the chassis.



- Step 2** Using your thumb, grasp the PSU blank by the vertical fingerhold and pull the PSU blank straight towards you. The PSU should easily slide out of the chassis.

Figure 51: Removing a PSU Blank



What to do next

Choose the appropriate option:

- If you are installing a PSU, go to [Installing a Power Supply, on page 96](#).
- If you are installing a PSU blank, go to [Installing a PSU Blank, on page 101](#).

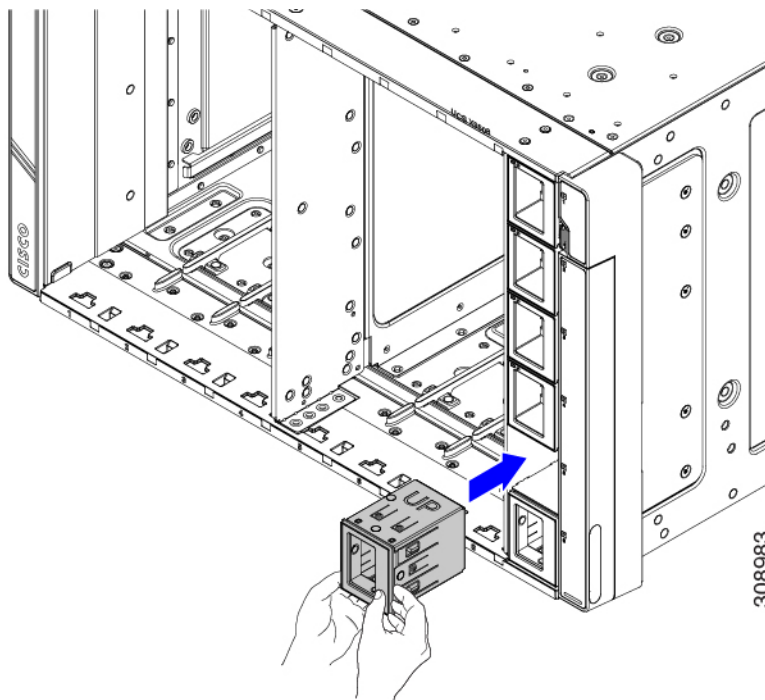
Installing a PSU Blank

The minimum supported power configuration for the UCS X9508 server chassis is three PSUs. If you will be operating the server chassis with an empty PSU bay, it must be covered with a PSU blank (UCSX-9508-PSUBK).

Use this procedure to install a PSU blank.

-
- Step 1** Grasp the PSU blank by the vertical finger hold on the right side of the blank's face.
- Step 2** Align the PSU blank so that the word UP is facing up, and the handle is parallel to the right side of the PSU bay.
- Step 3** Insert the PSU blank until its faceplate is flush with the front of the server chassis.

Figure 52: Inserting a PSU Blank



Replacing the PSU Keying Bracket

The PSU Keying bracket is attached to the right exterior side of the chassis. The bracket ensures that only the correct type of PSU can be installed, and that the PSU is inserted in correct orientation in the chassis.

Use the following procedures to replace the PSU Keying bracket:

- [Removing the PSU Keying Bracket, on page 102](#)
- [Installing the PSU Keying Bracket, on page 103](#)

Removing the PSU Keying Bracket

Use this procedure to remove the PSU Keying bracket.

Before you begin

The chassis must be completely removed from the rack to provide access to the exterior of the chassis where the PSU Keying bracket will be installed.

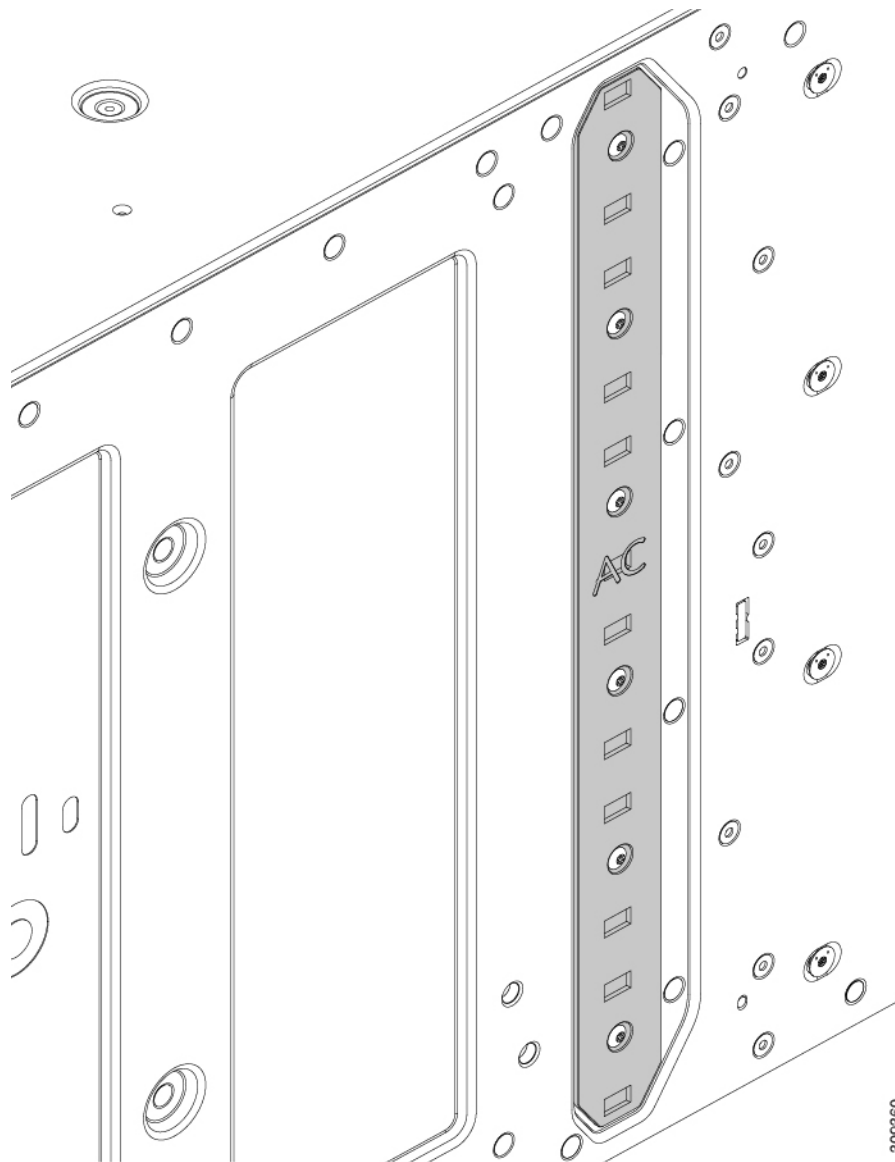
When the chassis is removed from the rack, make sure that you place the chassis on an ESD-safe workspace, for example, a rubberized mat.

Step 1 If you have not already removed the chassis from the rack, do so now.

Go to [Removing the Chassis from a Rack, on page 77](#).

Caution Make sure to follow all safety requirements while uninstalling the chassis, including using a device, such as a mechanical lift, to bear the weight of the chassis.

Step 2 With the chassis in an ESD-safe work area, locate the PSU Keying bracket on the right exterior side of the chassis.



- Step 3** Using a T10 screwdriver, remove the six screws that attach the bracket to the chassis.
- Step 4** Grasp the PSU keying bracket and detach it from the chassis.
- Step 5** Keep the screws and bracket.

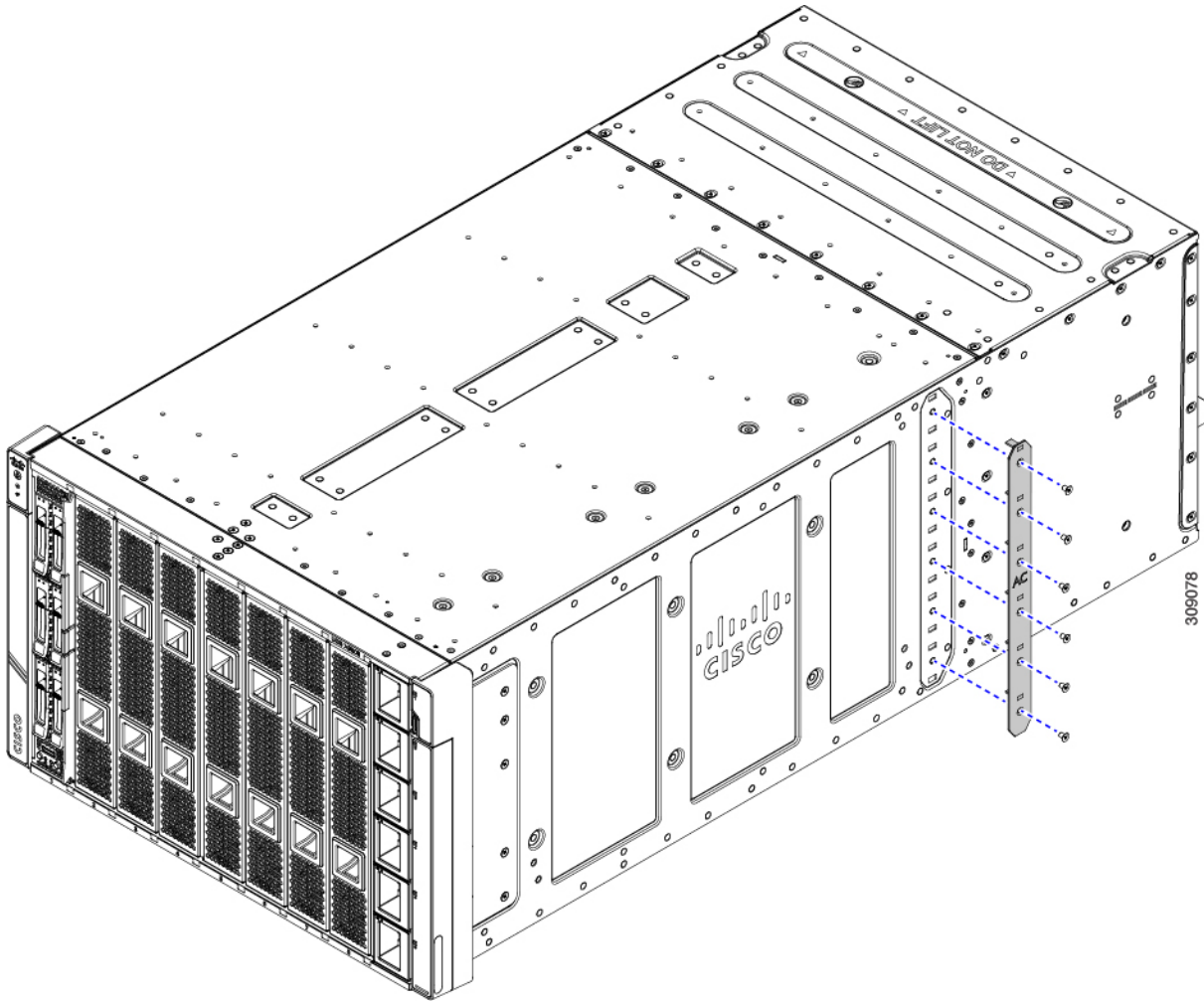
What to do next

[Installing the PSU Keying Bracket, on page 103.](#)

Installing the PSU Keying Bracket

Use this task to install a PSU Keying bracket (UCSX-9508-KEY-AC=).

- Step 1** With the chassis on an ESD-safe work area, grasp the new PSU Keying Bracket, and align it with right exterior side of the chassis.
- Step 2** Place the bracket against the side of the chassis, aligning the screwholes in the bracket with the screwholes in the chassis.
- Step 3** Insert the 6 screws into the screwholes.



- Step 4** Using a T10 screwdriver, secure the bracket to the chassis by tightening each screw to snug. If you have access to a torque wrench, tighten the screws to 6 in-lb.
- Step 5** Reinstall the chassis:
- Insert the chassis into the rack.
 - Reinstall the chassis components and reconnect any cables that were disconnected.
- For additional info, see [Installing the Chassis, on page 43](#).

Replacing the Power Entry Modules (PEMs)

The Cisco UCS X9508 chassis contains two power entry modules (PEMs). Each PEM is a grouping of 3 IEC 320 compatible C20 power inlets. One PEM supports PSUs 1 through 3, and one PEM supports PSUs 4 through 6. Each PEM is field replaceable.

Use the following procedures to replace the PEMs:

- [Installing the Power Entry Modules, on page 105](#)
- [Removing the Power Entry Modules, on page 107](#)

Installing the Power Entry Modules

Use this procedure to install a PEM.



Note The following task shows installing both PEMs. If you are installing only one PEM, you will need to tighten only the PEM screw for the replaced PEM, not both screws as shown in the illustrations.

Before you begin



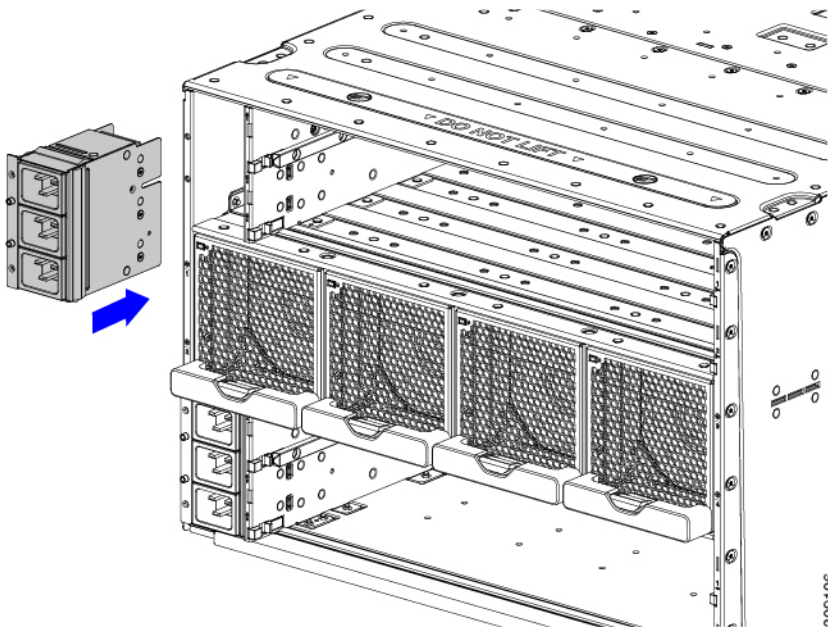
Danger Follow all electrical safety precautions when working with facility power. Failure to do so can result in damage to the equipment or pose a risk of injury or death to personnel.

Step 1 Grasp the PEM and orient it correctly.

The PEM is keyed so that you can insert it only one way.

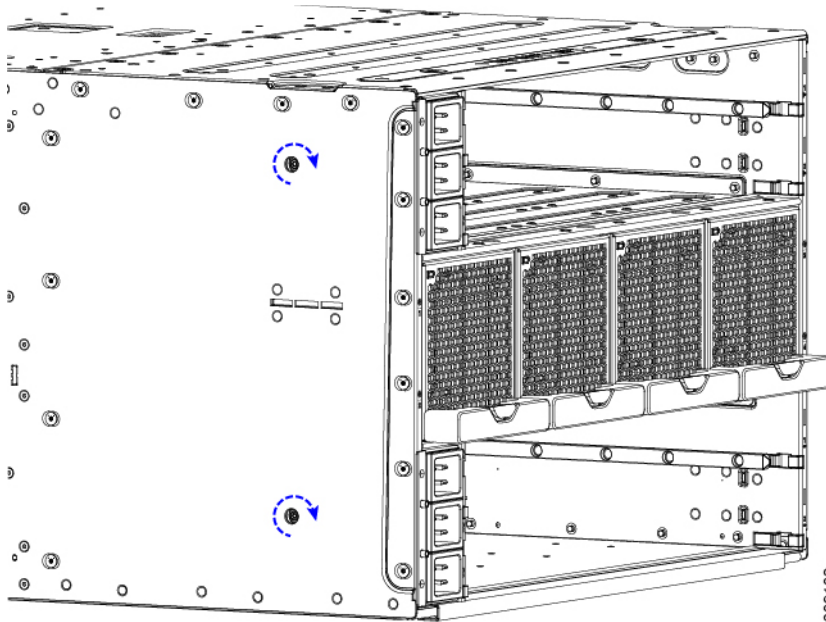
Step 2 Holding the PEM level, slide it into the PEM slot.

You might feel some resistance as the connector on the rear of the PEM meets the connector on the interior of the chassis.

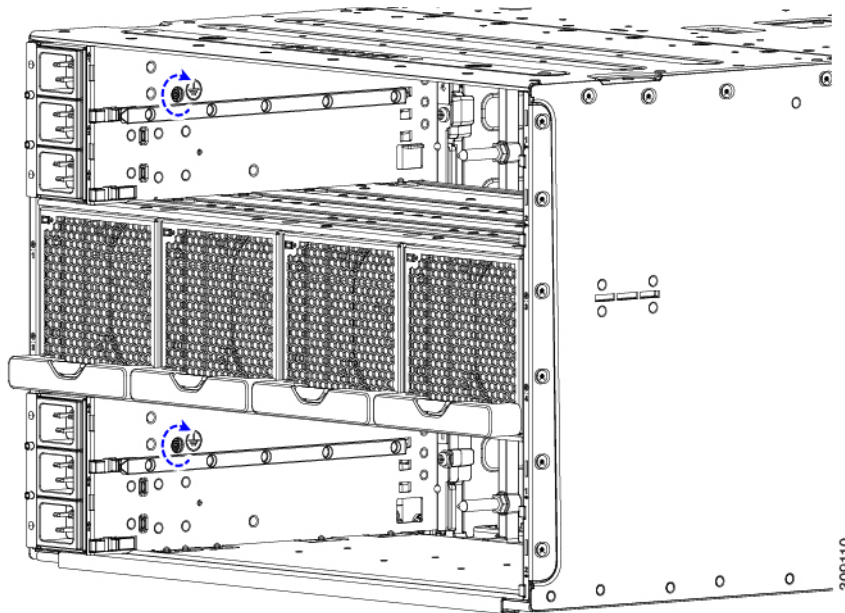


Step 3 Using a T10 screwdriver, tighten the captive screws which are easily identifiable because they are next to the electrical ground icons on the chassis walls.

- a) Tighten the exterior captive screws.



- b) Tighten the interior captive screws.



- Step 4** Reinstall the IFMs and expansion modules.
- Go to [Installing an Intelligent Fabric Module](#), on page 116.
 - Go to [Installing a UCS X-Fabric Module Blank](#), on page 123.
- Step 5** Reconnect all power cables.
The chassis automatically powers on when it receives inlet power.

Removing the Power Entry Modules

PEMs support inlet power to the chassis from the facility. It is a best practice to remove all power from the system when replacing a PEM.



Danger Follow all electrical safety precautions when working with facility power. Failure to do so can result in damage to equipment or pose a risk of injury or death to personnel.

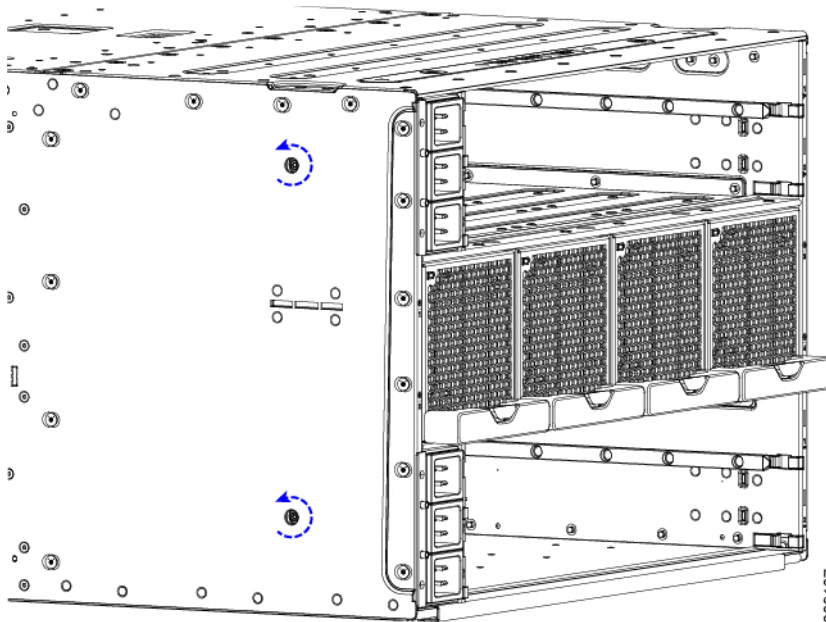


Note The following task shows removing both PEMs. If you are removing only one PEM, you will need to loosen only the PEM screw for the replaced PEM, not both screws as shown in the illustrations.

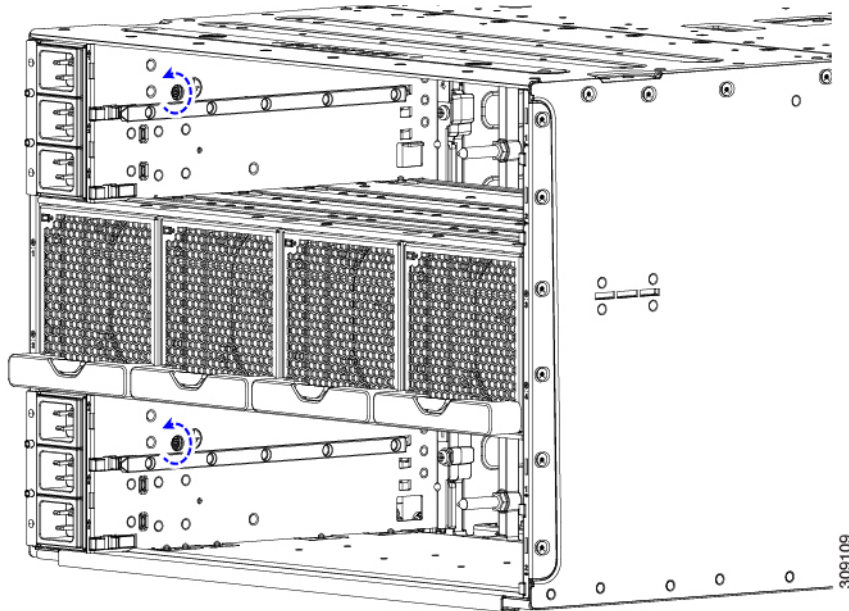
Before you begin

The power entry modules (PEMs) are connected to facility power, so you must disconnect facility power from the PEM that you will be removing.

- Step 1** Power down all compute nodes.
- Step 2** Remove any power cables that are attached to the PEM.
- Step 3** Remove the IFMs and expansion modules.
- Go to [Removing an Intelligent Fabric Module, on page 117](#).
 - Go to [Removing a UCS X-Fabric Module Blank, on page 123](#).
- Step 4** Using a T10 screwdriver, loosen the captive screws that attach the PEM to the chassis.
- The captive screws are easily identifiable because they are next to the electrical ground icons on the chassis walls.
- Loosen the exterior captive screws.

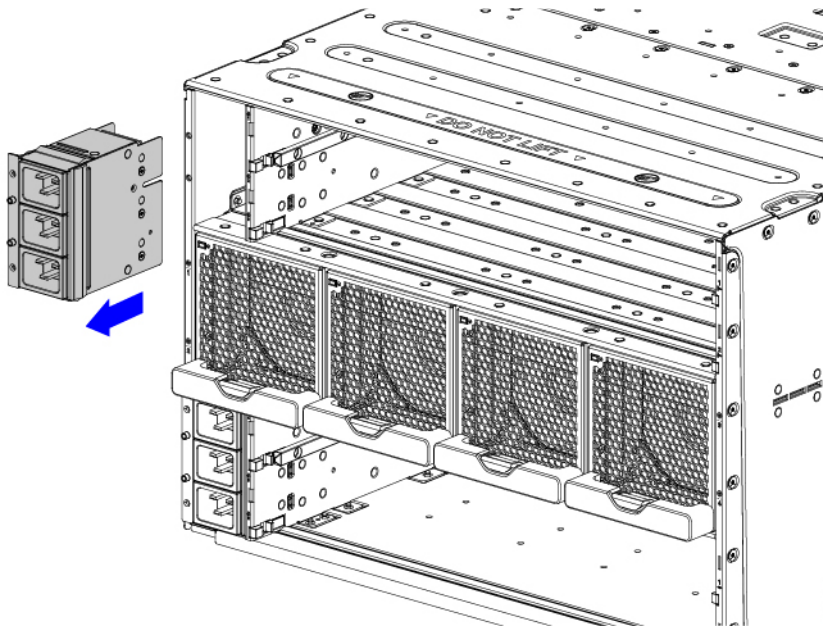


- Loosen the interior captive screws.



Step 5 Grasp the PEM and slide it out of the chassis.

When you remove a PEM, you must replace it with another one. Do not operate the system with an empty PEM slot.



What to do next

Install a PEM. Go to [Installing the Power Entry Modules, on page 105](#).

Installing and Removing a Fan Module

You can hot swap a fan module (UCSX-9508-FAN) without causing an electrical hazard or damage to the system. However, you can only remove one fan module while the system is operating. Removing more than one fan module could cause overheating.

Fan Module Replacement Consideration

While a fan module is absent from the chassis, the pair of compute nodes physically associated with that fan may be throttled to prevent thermal overload. After the fan module is replaced in the chassis, throttling is removed and the associated blades resume normal operation.

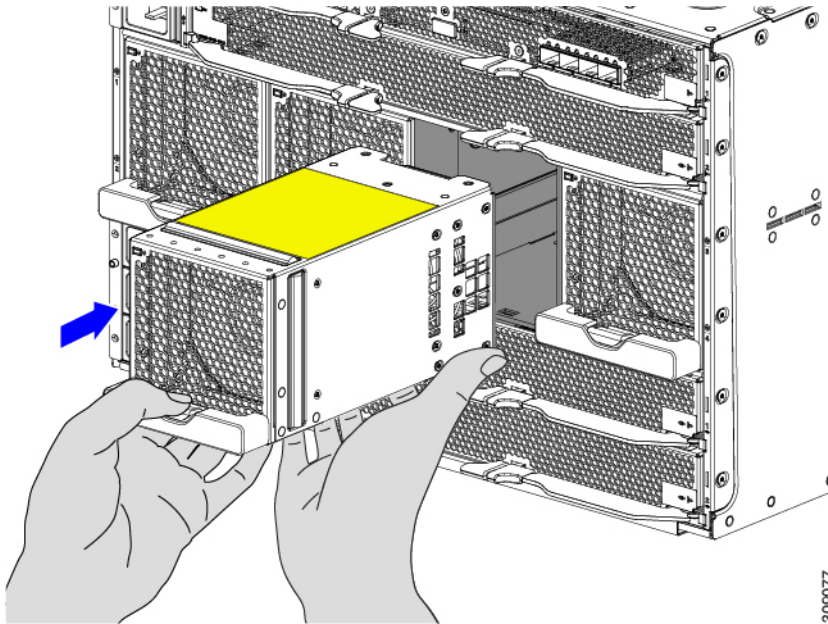
To minimize the impact to system performance, do not remove a fan module until a replacement fan module is available. Leaving the fan module out of the chassis for longer durations of time will result in extreme power throttling of the associated compute nodes, but the nodes will not shutdown.

The following table shows the mapping of fan modules to their associated compute nodes.

Fan Module	Compute Node Slots
1	7, 8
2	5, 6
3	3, 4
4	1, 2

Installing a Fan Module

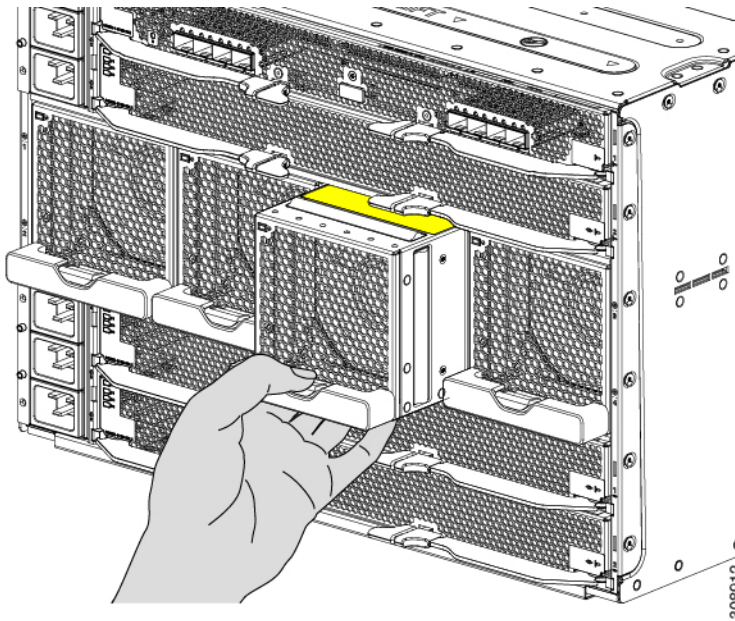
-
- Step 1** Hold the fan module with the handle at the bottom and place your other hand underneath the fan module to support it.
- Step 2** Align the fan with the fan bay in the rear of the chassis.

Figure 53: Aligning the Fan Module

Step 3 Slide the fan into the chassis until it is flush with the face of the chassis.

Note Make sure that the latch on the handle is engaged with the chassis.

When the fan module is almost completely installed, you might feel some resistance. The resistance is normal, and it occurs when the connector at the rear of the fan contacts the corresponding socket inside the chassis.

Figure 54: Seating the Fan into the Chassis

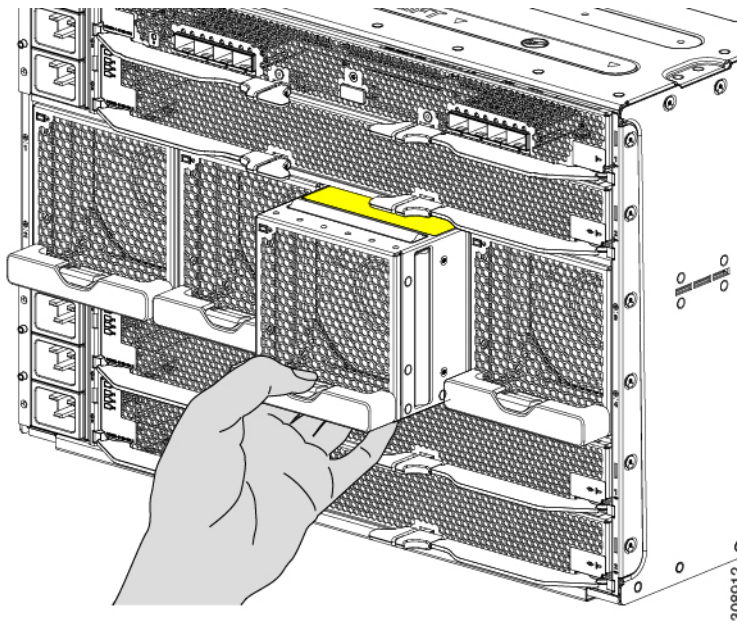
Step 4 Listen for the fan to power up and verify that the LED behavior is as expected.

See [LED Locations](#), on page 16 and [Interpreting LEDs](#), on page 18.

Removing a Fan Module

Step 1 Grasp the fan module handle and push down on the release button.

Figure 55: Disengaging the Fan Module

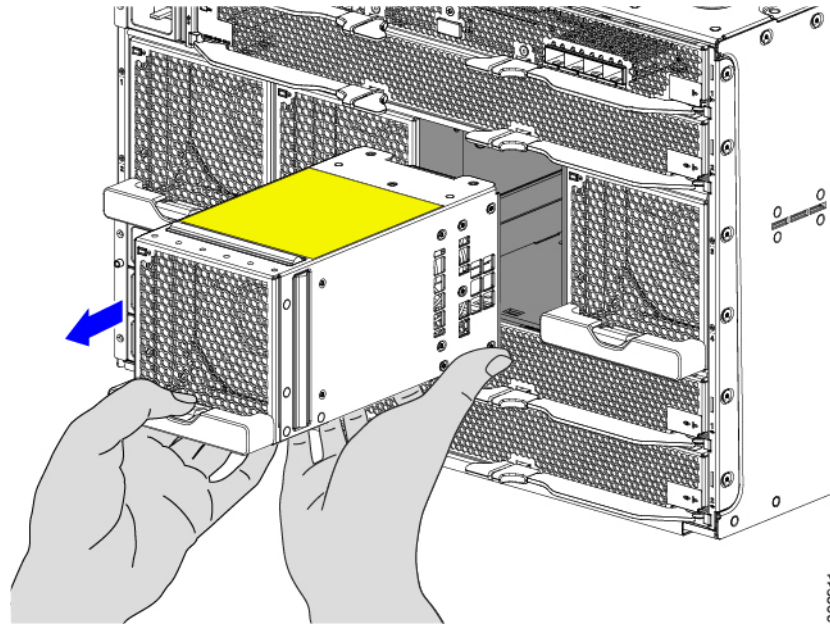


Step 2 Slide the fan module partially out of the chassis and place your hand underneath it to support it. When the fan disconnects from the midplane, it will power down.

Step 3 Slide the fan completely out of the chassis, making sure to support its weight with your other hand.

Caution The fan module is relatively heavy! Do not attempt to handle or carry it by only its handle. Instead, make sure support the fan's weight with your other hand.

Figure 56: Removing the Fan Module



What to do next

Insert a fan module. Go to [Installing a Fan Module](#), on page 110.

Installing and Removing a Rear Module's Fan

The Cisco UCS X9508 Intelligent Fabric Module (IFM) and X-Fabric Module (XFM) blanks use the same fan (UCSX-RSFAN=), which makes the fans interchangeable between these modules and module blanks. In a typical configuration, there are three fans numbered from one to three.



Note The fans for IFM and XFMs (UCSX-RSFAN=) are different from the fan modules (UCSX-9508-FAN) that provide cooling and ventilation for the entire server chassis. These two types of fans are not interchangeable.

Use the following procedures to replace a fan on a Cisco UCS X9508 module or module blank.

- [Installing a Fan for a UCS Intelligent Fabric Module \(IFM\) or X-Fabric Module \(XFM\) Blank](#), on page 114
- [Removing a Fan for a UCS Intelligent Fabric Module \(IFM\) or X-Fabric Module \(XFM\) Blank](#), on page 115

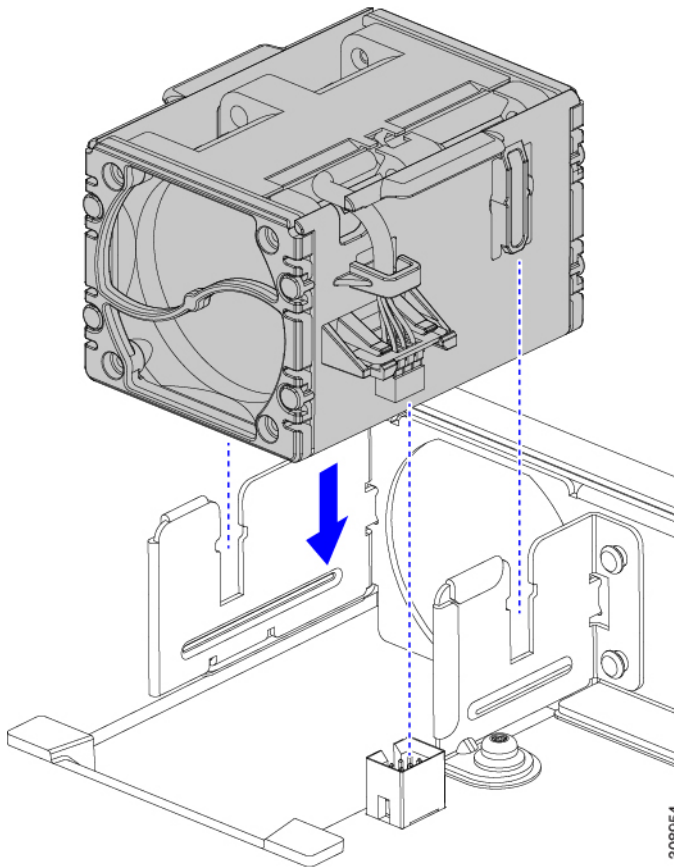
Installing a Fan for a UCS Intelligent Fabric Module (IFM) or X-Fabric Module (XFM) Blank

Use this task to install the fan (UCSX-RSFAN=) for a UCS Intelligent Fabric Module (IFM) or X-Fabric Module (XFM) Blank.

Step 1 Align the fan correctly.

- a) Align the power connector on the replacement fan with power connector on the board.
- b) Align the guides on long fan side walls with the corresponding cutouts on the module.

Figure 57: Aligning the Fan



Step 2 Press down evenly on the fan until it is fully seated.

Make sure the fan is level while you're installing it. You will feel the fan click into place when it is correctly seated on the module or module blank.

Removing a Fan for a UCS Intelligent Fabric Module (IFM) or X-Fabric Module (XFM) Blank

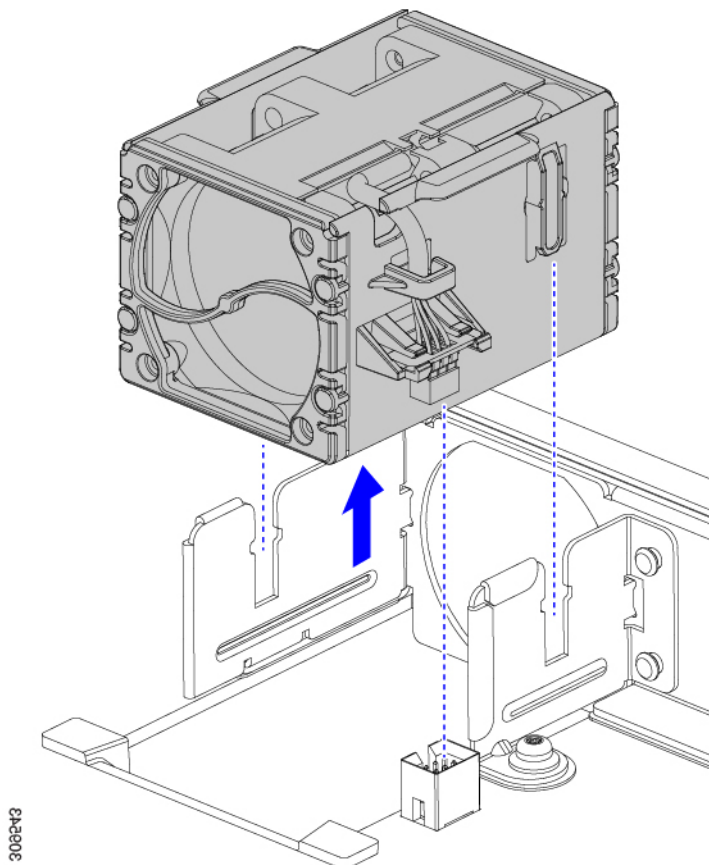
Use the following procedure for removing a fan (USCX-RSFAN=) from a UCS Intelligent Fabric Module (IFM) or X-Fabric Module (XFM) Blank.

Step 1 Grasp the fan by the tabs on each long side wall.

Step 2 Pull the fan straight up.

This step disconnects the fan from the power connector and lifts the fan off of the board.

Figure 58: Removing the Fan from a UCS X9508 Module or Module Blank



What to do next

Insert a fan module. Go to [Installing a Fan for a UCS Intelligent Fabric Module \(IFM\) or X-Fabric Module \(XFM\) Blank](#), on page 114.

Installing and Removing an Intelligent Fabric Module

Intelligent Fabric Modules (IFMs) install in the rear of the chassis. They are always deployed in pairs, and the minimum IFM configuration for each UCS X9508 is two. For more information, see [Intelligent Fabric Modules, on page 7](#).



Caution When working with the IFMs, handle them carefully to avoid damage to the modules, connectors, and pins.

Use the following procedures to replace an IFM:

- [Installing an Intelligent Fabric Module, on page 116](#)
- [Removing an Intelligent Fabric Module, on page 117](#)

Installing an Intelligent Fabric Module

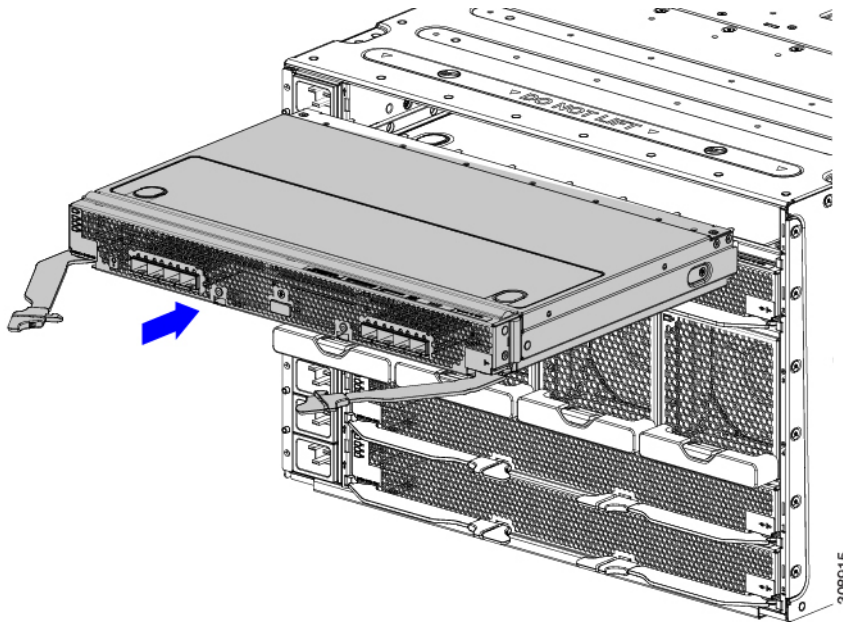
Intelligent Fabric Modules (IFM) must be deployed in pairs, so there are no IFM module blanks that can be installed.



Caution When working with the IFMs, handle them carefully to avoid damage to the modules, connectors, and pins! Make sure that the modules are level during insertion and slide them into the chassis slowly.

-
- Step 1** If the IFM has a cable management tray, remove it.
See [Removing the Cable Management Tray, on page 75](#).
- Step 2** Swing the ejector handles to the open position.
- Step 3** Placing one hand underneath the IFM, align the module with the empty IFM slot on the rear of the chassis.

Figure 59: Aligning the Intelligent Fabric Module



- Step 4** Holding the IFM level, slide it almost all the way into the chassis until you feel some resistance. This resistance is normal. It occurs when the connectors at the rear of the IFM contact the socket inside the chassis.
- Caution** Make sure to apply even pressure when sliding the module into the chassis. Do not push down or pull up on the module handles, and do not apply more force to one ejector handle than the other.
- Step 5** Grasp each of the ejector handles, and keeping them level, slowly arc them inward toward the chassis. This step seats the IFM connectors into the sockets on the midplane.
- Caution** Make sure to apply even pressure when closing the module ejector handles! Do not push down or pull up on the module handles, and do not apply more force to one ejector handle than the other.
- Step 6** Push the ejector handles until both are parallel with the face of the IFM. Make sure the ejector latch is fully inserted in the front panel.
- Step 7** If the IFM has a cable management tray, attach it. See [Installing the Cable Management Tray, on page 73](#).

Removing an Intelligent Fabric Module

Intelligent Fabric Modules (IFM) must be deployed in pairs, so when you remove one, you must insert another IFM in its place.



Caution When working with the IFMs, handle them carefully to avoid damage to the modules, connectors, and pins! Make sure that the modules are level during removal and slide them out of the chassis slowly.

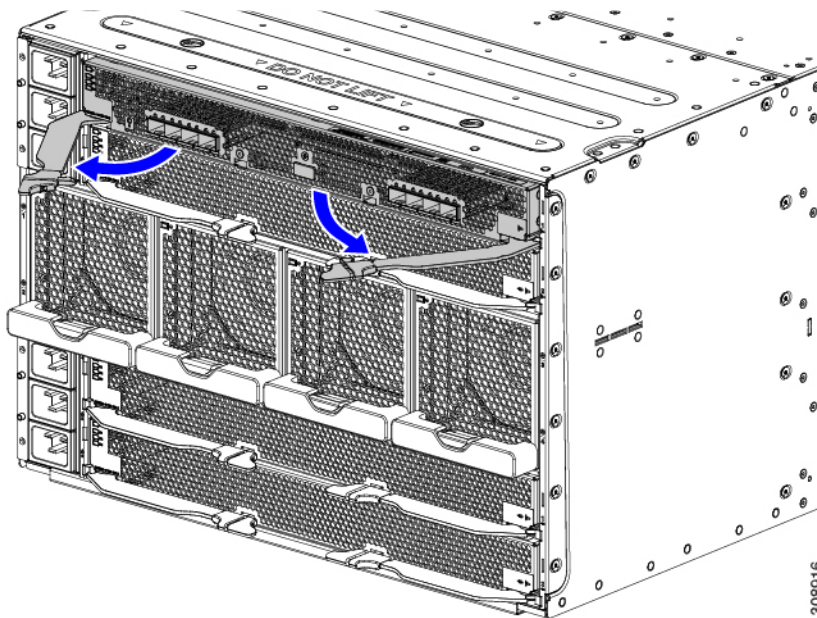
Step 1 If the IFM has a cable management tray, remove it.

See [Removing the Cable Management Tray, on page 75](#).

Step 2 Using your fingers, pinch the interior end of both handles to disengage the ejector latch.

This step unlocks the module handles so that they can move.

Figure 60: Opening the Module Handles



Step 3 Keeping the modules handles level, pull them towards you so that they arc away from the chassis.

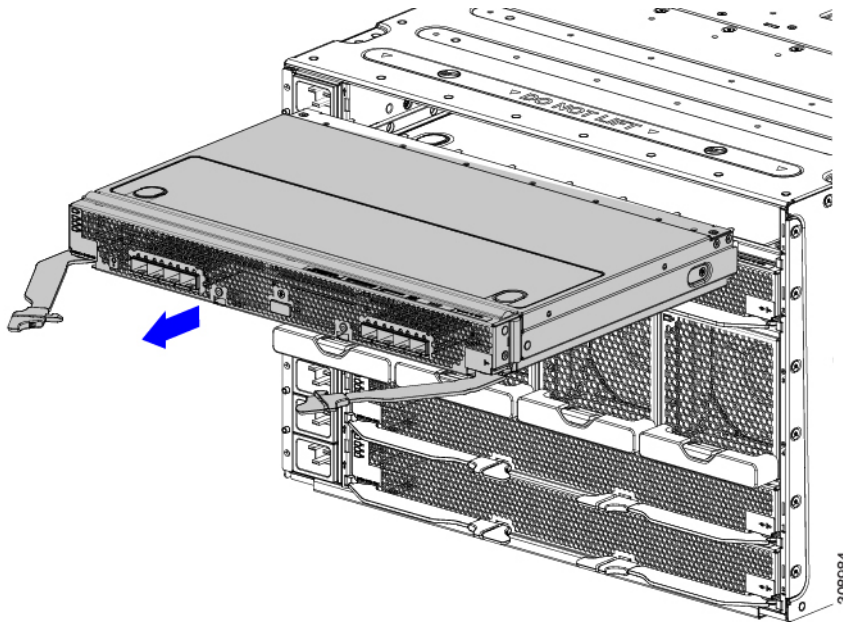
You might feel some resistance as the IFM disconnects from the socket inside the chassis.

Step 4 Slide the module about halfway out of the chassis, then place your other hand underneath the IFM to support it.

Caution Make sure to apply even pressure when sliding the module out of the chassis. Do not push down or pull up on the module handles, and do not apply more force to one ejector handle than the other.

Step 5 Continue sliding the IFM out of the chassis until it is completely removed.

Figure 61: Removing an Intelligent Fabric Module



What to do next

Insert an IFM. Go to [Installing an Intelligent Fabric Module](#), on page 116

Installing and Removing an X-Fabric Module

X-Fabric Modules, such as the Cisco UCS X9416, are required when the UCS X9508 chassis contains one or more pairs of X-Series compute nodes and X-Series PCIe Nodes, such as the Cisco UCS X440p PCIe node. For more information, see [X-Fabric Modules](#), on page 9.

For information about the Cisco UCS X440p PCIe Node, go to the *Cisco UCS X440p PCIe Node Hardware Installation and Service Guide*.



Caution Because both XFMs connect to all slots on the front of the server chassis, all pairs of compute nodes and PCIe nodes must be powered off before removing or inserting XFMs.



Caution Although the Cisco UCS X-Fabric Modules can be removed, it is a best practice to leave them installed even during chassis installation.

Use the following procedures to install or remove an X-Fabric Module.

- [Removing an X-Fabric Module](#), on page 120
- [Installing an X-Fabric Module](#), on page 121

Removing an X-Fabric Module

Use the following procedure to remove a Cisco UCS X-Fabric Module.



Caution When working with the XFMs, handle them carefully to avoid damage to the modules, connectors, and pins! Make sure that the modules are level during removal and slide them out of the chassis slowly.

Before you begin



Caution Make sure that all pairs of compute nodes and PCIe nodes are completely powered off before removing an X-Fabric Module (XFM).

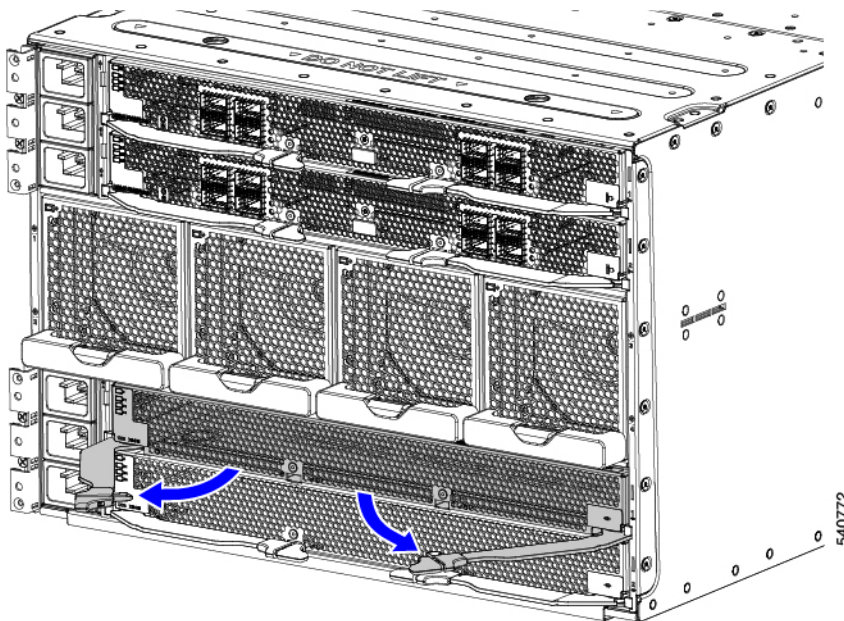
Step 1 Using your fingers, pinch the interior end of both handles to disengage the ejector latch. This step unlocks the module handles so that they can move.

Step 2 Keeping the modules handles level, pull them towards you so that they arc away from the chassis.

Caution Make sure to apply even pressure when sliding the module out of the chassis. Do not push down or pull up on the module handles, and do not apply more force to one ejector handle than the other.

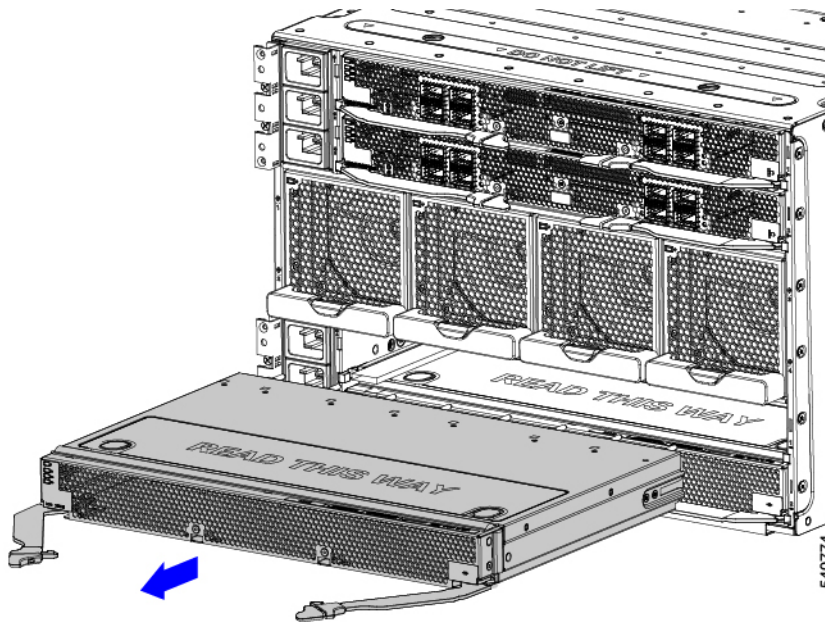
You might feel some resistance as the module disconnects from the socket inside the chassis.

Figure 62: Opening the Module Ejector Handles



- Step 3** Keeping the module level, slowly slide the module about halfway out of the chassis, then place your other hand underneath the module to support it.
- Step 4** Continue sliding the module out of the chassis until it is completely removed.

Figure 63: Removing an X-Fabric Module



What to do next

Insert an X-Fabric Module. Go to [Installing an X-Fabric Module, on page 121](#)

Installing an X-Fabric Module

Use the following procedure to install a Cisco UCS X-Fabric Module.



Caution When working with the XFMs, handle them carefully to avoid damage to the modules, connectors, and pins! Make sure that the modules are level during installation and slide them into of the chassis slowly.

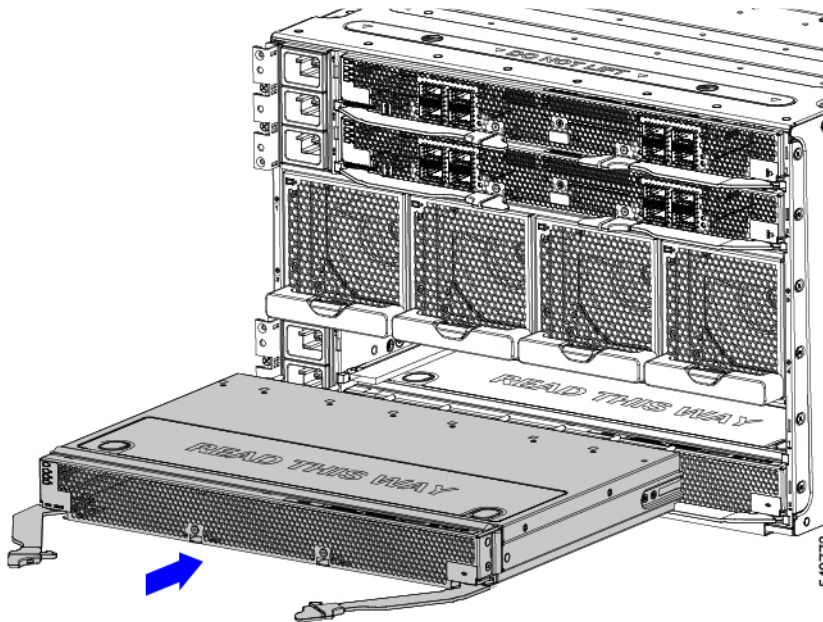
Before you begin



Caution Make sure that all pairs of compute nodes and PCIe nodes are completely powered off before inserting XFMs.

- Step 1** Swing the ejector handles to the open position.
- Step 2** Placing one hand underneath the module, align the module with the empty module slot on the rear of the chassis.

Figure 64: Installing an X-Fabric Module



- Step 3** Holding the module level, slowly slide it almost all the way into the chassis until you feel some resistance. This resistance is normal. It occurs when the connectors at the rear of the module contact the socket inside the chassis.
- Caution** Make sure to apply even pressure when sliding the module into the chassis. Do not push down or pull up on the module handles, and do not apply more force to one ejector handle than the other.
- Step 4** Grasp each of the ejector handles, and keeping them level, arc them inward toward the chassis. This step seats the module connectors into the sockets on the midplane.
- Caution** Make sure to apply even pressure when closing the module ejector handles! Do not push down or pull up on the module handles, and do not apply more force to one ejector handle than the other.
- Step 5** Push the ejector handles until both are parallel with the face of the module. Make sure the ejector latch is fully inserted in the front panel

Installing and Removing the UCS X-Fabric Module Blank

The UCS X-Fabric Module Blank (UCSX-9508-RBLK) is a filler module for the expansion slots on the bottom of the chassis rear. For more information, see [Cisco UCS X-Fabric Module Blanks, on page 11](#).

Use the following procedures to replace the UCSX-9508-RBLK.

- [Installing a UCS X-Fabric Module Blank, on page 123](#)
- [Removing a UCS X-Fabric Module Blank, on page 123](#)

Installing a UCS X-Fabric Module Blank

Use this procedure to install an UCS X-Fabric Module Blank in the bottom two slots in the chassis rear. These module blanks must be deployed in pairs and must be installed. You cannot operate the server chassis with empty IOM bays.

Step 1 Placing one hand underneath the blank, align it with the empty slot at the bottom of the rear of the chassis.

Step 2 Holding the blank level, slowly slide it all the way into the chassis until the blank stops.

Caution Make sure to apply even pressure when sliding the module into the chassis. Do not push down or pull up on the module handles, and do not apply more force to one ejector handle than the other.

Step 3 Grasp each of the module handles, and keeping them level, arc them inward toward the chassis.

This step seats the blank connectors into the sockets on the midplane.

Caution Make sure to apply even pressure when closing the module ejector handles! Do not push down or pull up on the module handles, and do not apply more force to one ejector handle than the other.

Step 4 Push the module handles until both are parallel with the face of the blank.

The fan modules on the blank will power up when the module is completely seated.

Removing a UCS X-Fabric Module Blank

Use this task to remove a UCS X-Fabric Module Blank (UCSX-9508-BLK).

Step 1 Using your fingers, pinch the interior end of both handles to disengage the retention clip.

This step unlocks the module handles so that they can move.

Step 2 Keeping the modules handles level, pull them towards you so that they arc away from the chassis.

Caution Make sure to apply even pressure when sliding the blank out of the chassis. Do not push down or pull up on the module handles, and do not apply more force to one ejector handle than the other.

Step 3 Slowly slide the blank about halfway out of the chassis, then place your other hand underneath the blank to support it.

Step 4 Continue sliding the blank out of the chassis until it is completely removed.

Step 5 Reinsert a UCS X-Fabric Module blank (UCSX-9508-RBLK).

What to do next

[Installing a UCS X-Fabric Module Blank, on page 123](#)

Recycling Printed Circuit Boards

The Cisco UCS X9508 and some of its modules have printed circuit boards (PCBs) that must be disposed of in compliance with your appropriate recycling and e-waste regulations, including, but not limited to Commission Regulation (EU) 2019/424.

The following procedures are not standard field-service options. They should be used only by certified or approved recyclers.

- [Recycling the UCS 9108 25G IFM PCBs, on page 128](#)
- [Recycling the UCS 9108 100G IFM PCBs, on page 135](#)
- [Recycling the Chassis PCB Assembly \(PCBA\), on page 124](#)

Recycling the Chassis PCB Assembly (PCBA)

Each Cisco UCS X9508 chassis has a PCBA (motherboard) that is connected to the chassis midplane sheet metal. You must disconnect the PCBA from the chassis sheet metal to recycle the PCBA. Each PCBA is attached to the midplane sheet metal by 19 M4 screws. You will need to disassemble and remove additional parts to gain access to the PCBA.

You will need to recycle the PCBA for each UCS X9508 chassis.

Use the following procedure to recycle the Cisco UCS X9508 motherboard.

Before you begin



Note **For Recyclers Only!** This procedure is not a standard field-service option. This procedure is for recyclers who will be reclaiming the electronics and sheet metal for proper disposal to comply with local eco design and e-waste regulations.

To remove the chassis printed circuit board assembly (PCBA), the following requirements must be met:

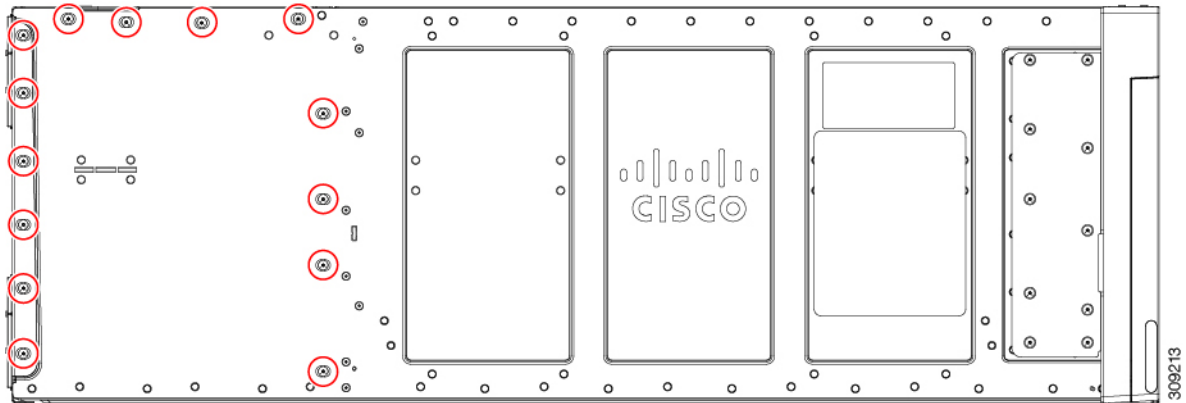
- The chassis must be disconnected from facility power.
- The chassis must have all compute nodes and IFMs removed. If they are not removed, remove them now.
Go to:
 - [Removing a Compute Node, on page 94](#)
 - [Removing an Intelligent Fabric Module, on page 117](#)
- The chassis must be removed from the equipment rack.

You will find it helpful to gather a T10, T15, and T20 screwdriver before beginning this procedure.

Step 1 At the rear of the chassis, remove the fan modules.
See [Removing a Fan Module, on page 112](#).

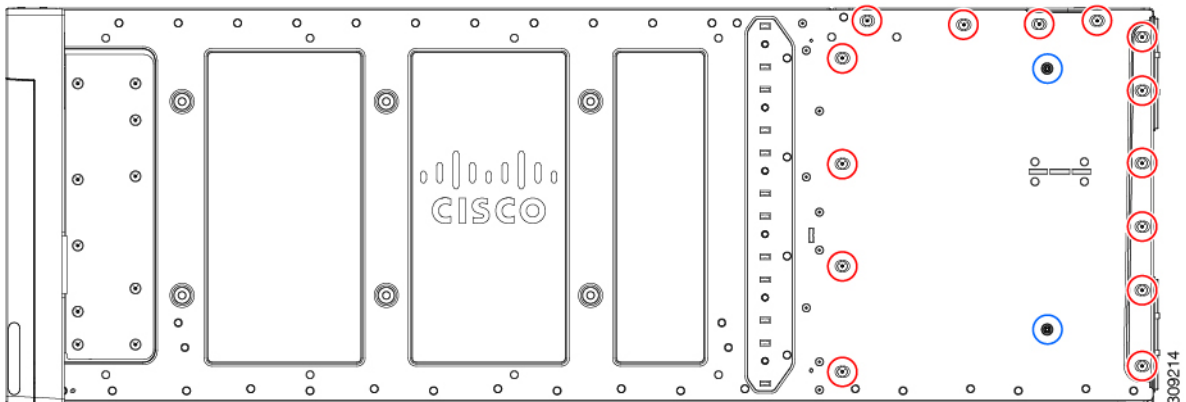
Step 2 On the left side of the chassis, use a T10 screwdriver to remove 14 M4 screws.

Figure 65: Cisco UCS X9508 Chassis, Left Side



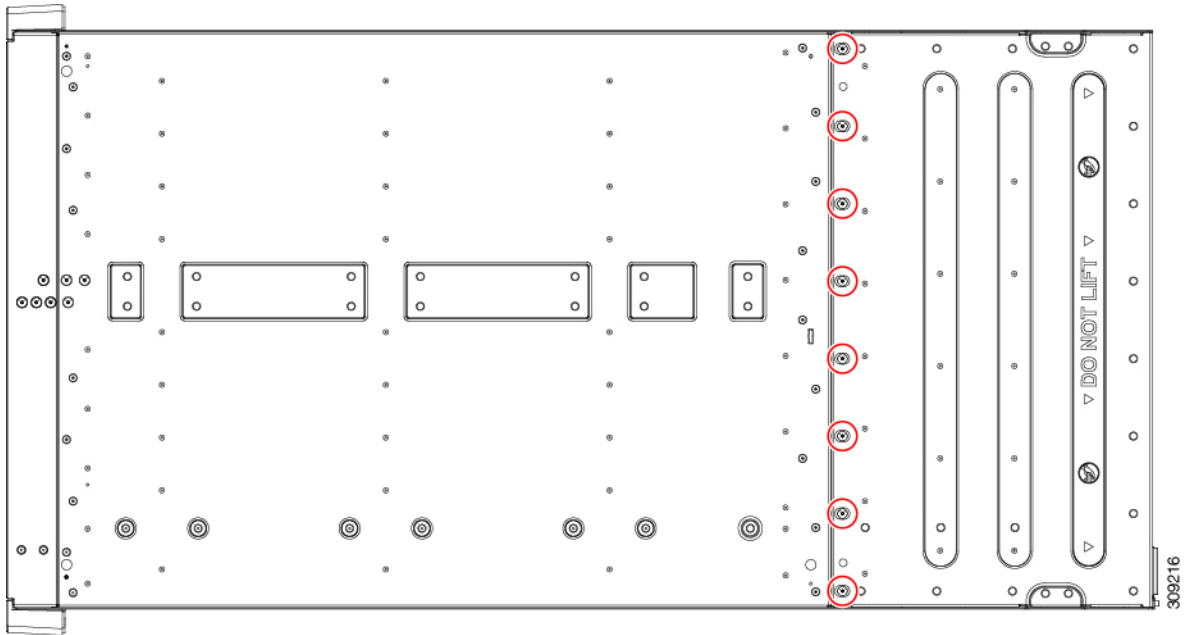
Step 3 On the right side of the chassis, use a T10 screwdriver to remove 14 M4 screws plus the two captive M3 screws for the PEMs.

Figure 66: Cisco UCS X9508 Chassis, Right Side



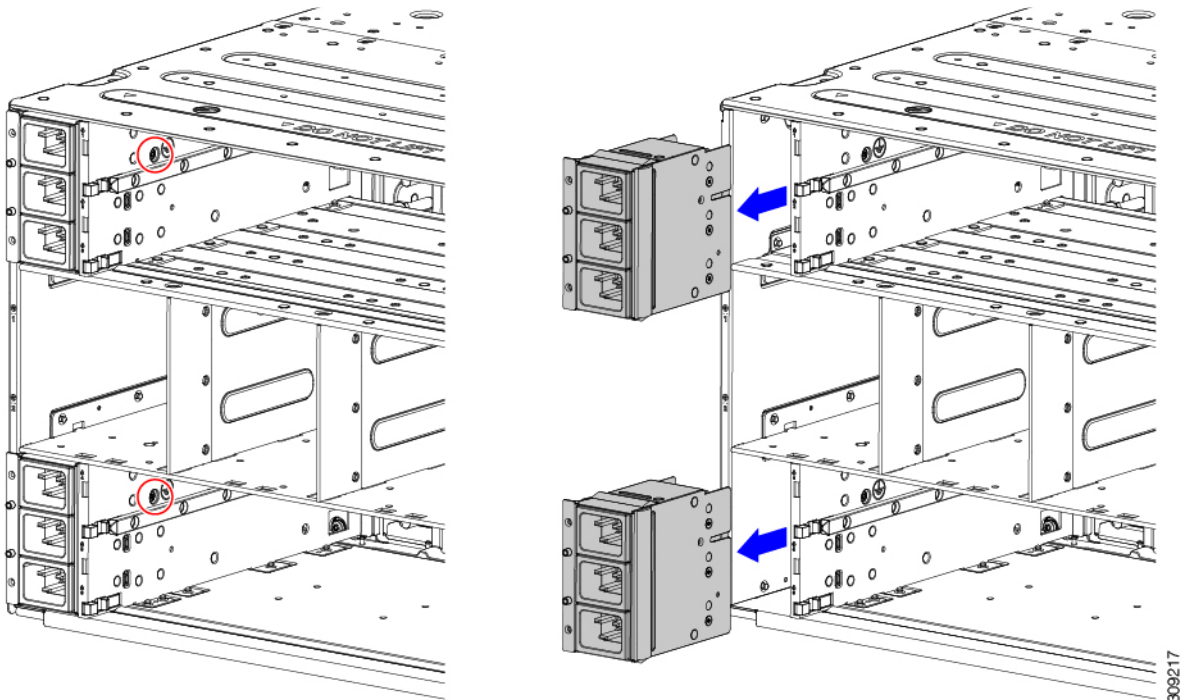
Step 4 On the top of the chassis, use a T10 screwdriver to remove the eight M4 screws.

Figure 67: Cisco UCS X9508 Chassis, Top

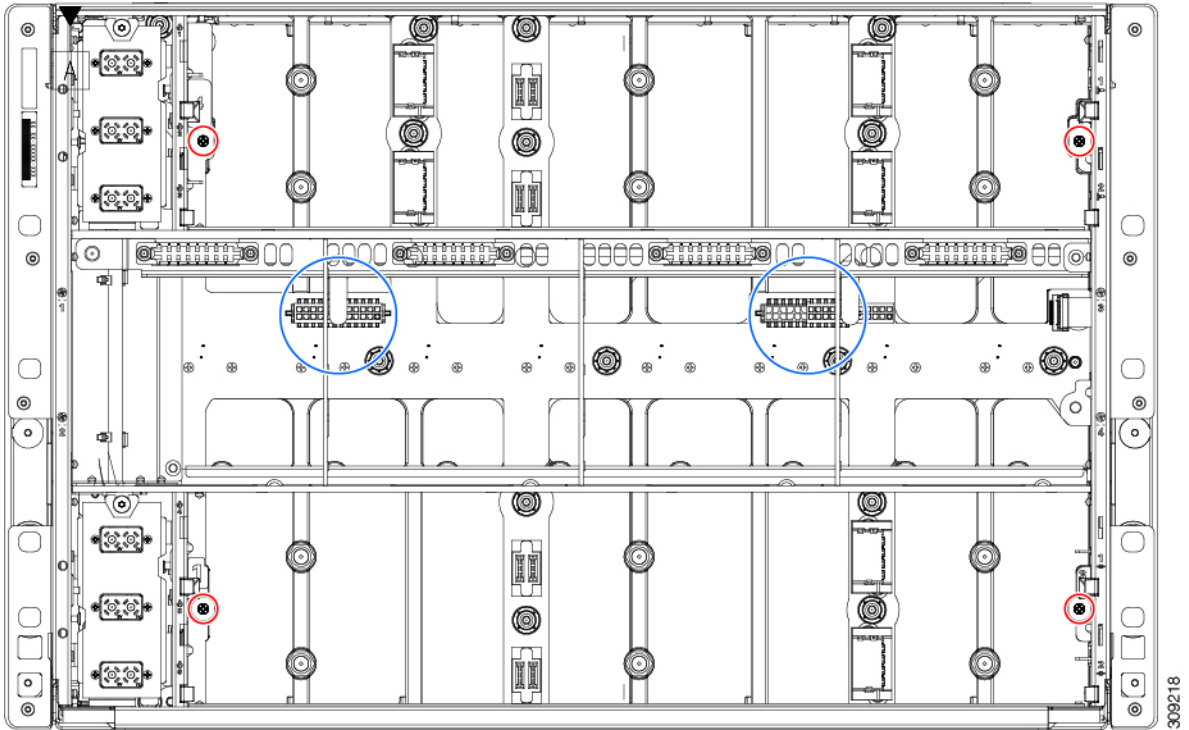
**Step 5**

Remove the PEMs.

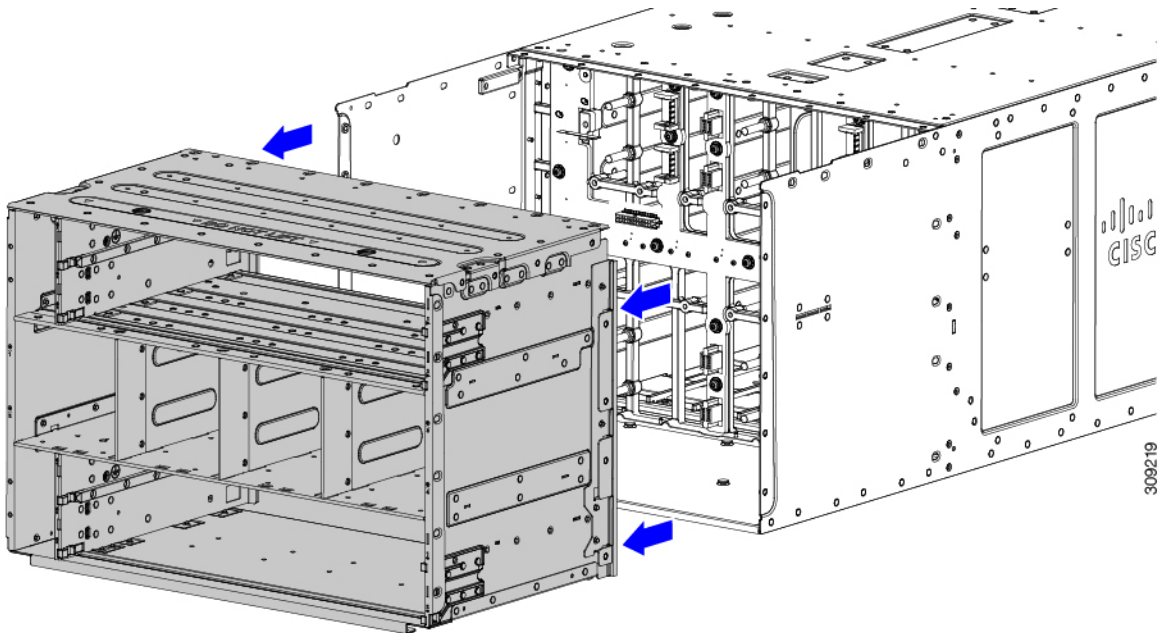
- On the interior of the chassis, use the T10 screwdriver to remove the two M3 captive screws for the PEMs, which are indicated by the ground symbol (⊕).
- When the screws are removed, grasp each PEM and remove it from the chassis.



- Step 6** Disconnect the rear bracket assembly:
- Grasp the two cables and unplug them.
 - Using a T20 screwdriver, remove the four M4 screws.

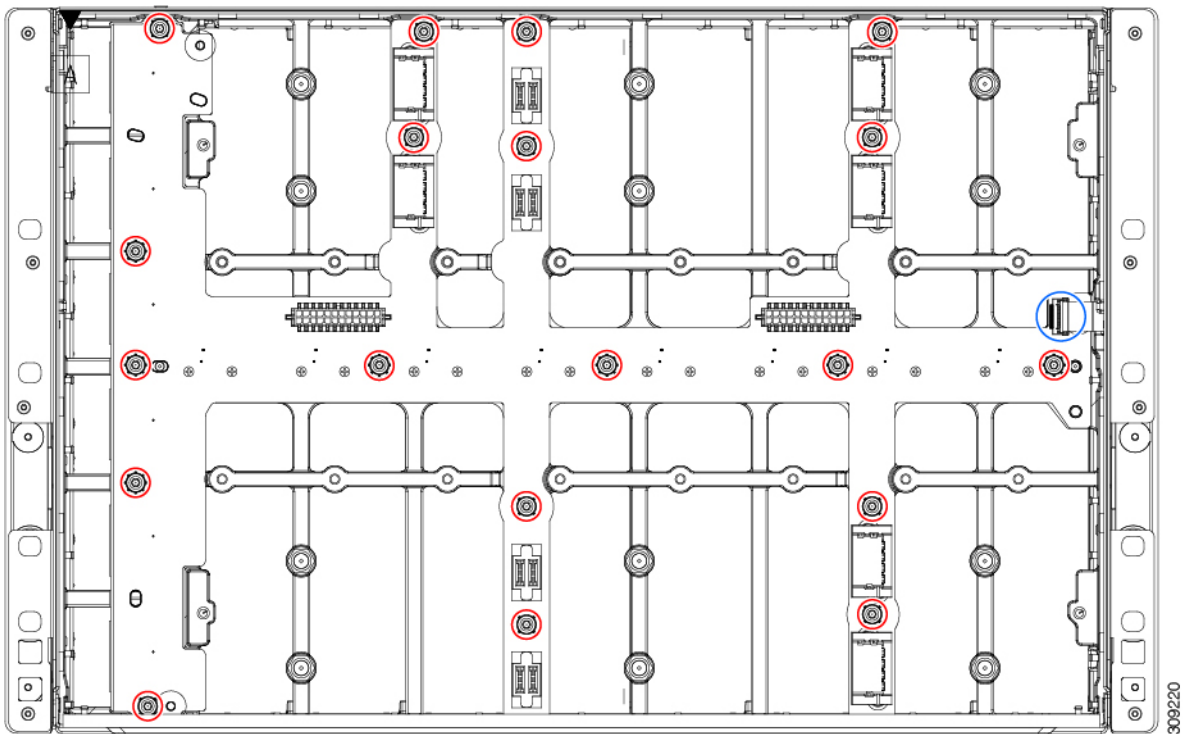


- Step 7** Grasp the rear bracket assembly and disconnect it from the rest of the chassis.



- Step 8** With the rear bracket assembly removed, disconnect the PCB:

- a) Grasp the cable and unplug it.
- b) Using the T15 screwdriver, remove the 19 M4 screws, and remove the PCB from the chassis midplane sheet metal.



Step 9 Recycle the sheet metal and motherboard in compliance with your local recycling and e-waste regulations.

Recycling the UCS 9108 25G IFM PCBs

Each Cisco UCS Intelligent Fabric Module (IFM) has a printed circuit board (PCB) that is connected to the IFM's sheet metal tray. You must:

- Disassemble and remove additional parts to gain access to the PCB.
- Disconnect the PCB from the sheet metal to recycle the PCB.
- Recycle each IFM in the Cisco UCS X9508 chassis.

Use the following procedure to recycle the UCS IFMs.

Before you begin



Note **For Recyclers Only!** This procedure is not a standard field-service option. This procedure is for recyclers who will be reclaiming the electronics and sheet metal for proper disposal to comply with local eco design and e-waste regulations.

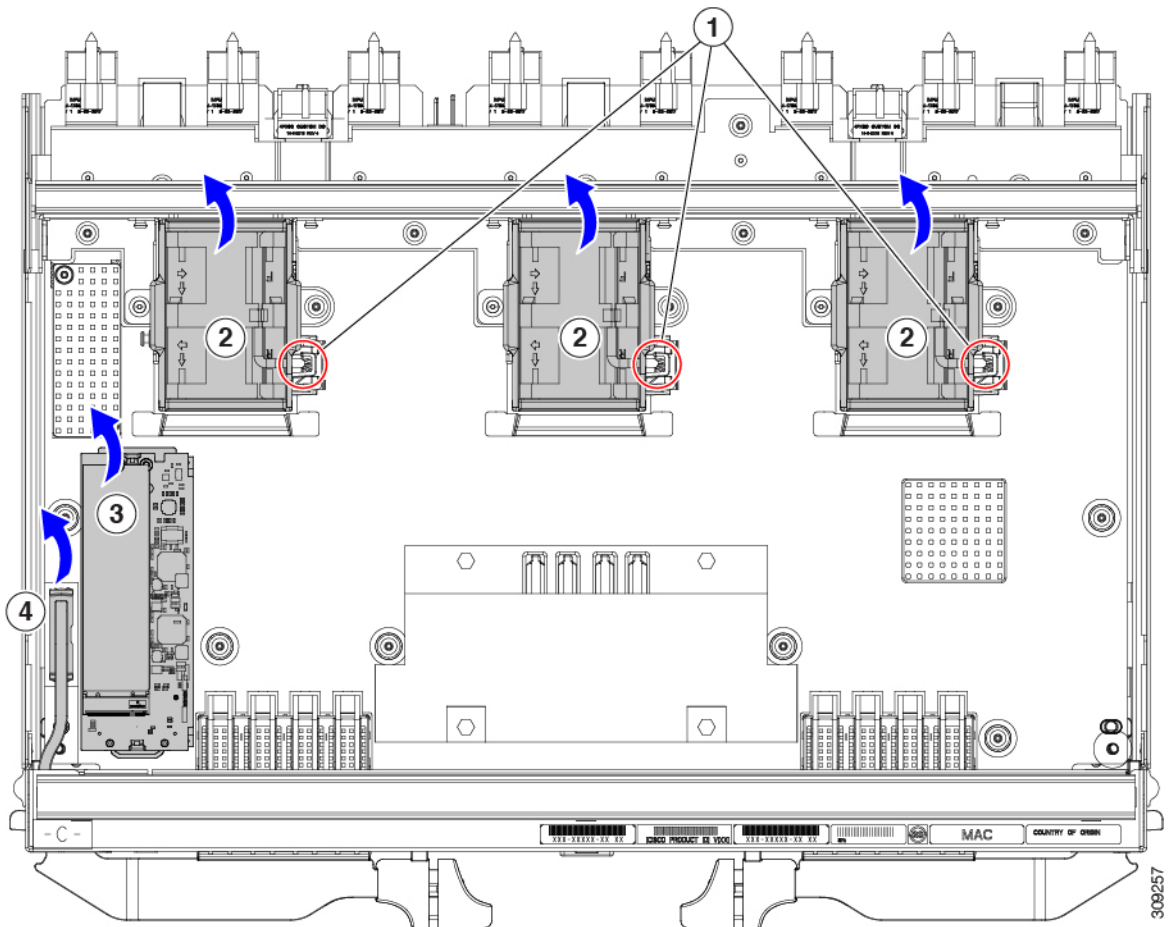
You will find it helpful to gather the following tools before beginning this procedure:

- Screwdrivers: One each of T8 and T10 screwdriver, and #1 Phillips.
- Nut drivers: One 8mm hexagonal.

Step 1

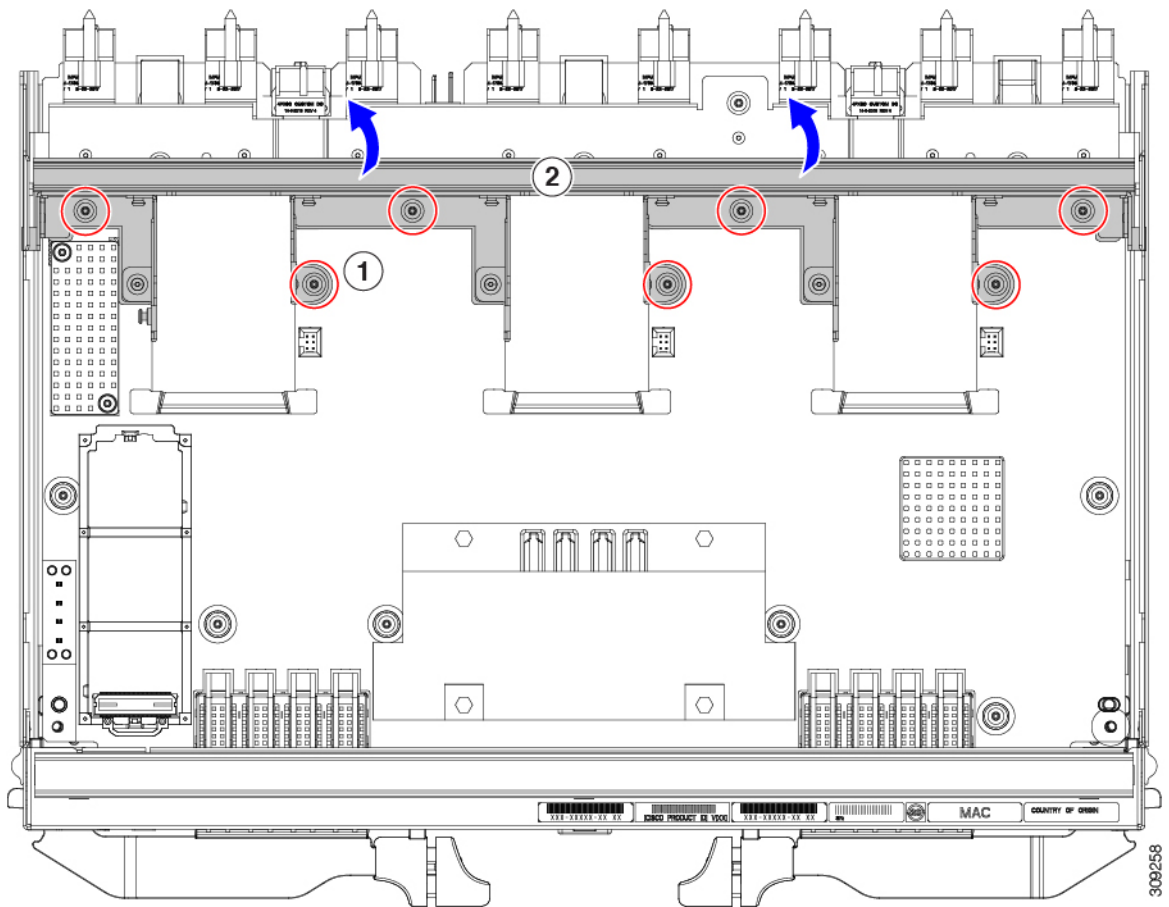
Remove the following components by hand:

- a) Grasp each fan module cable and remove it.
- b) Grasp each fan module and remove it.
- c) Grasp the M.2 storage module and remove it.
- d) Grasp the light pipe and remove it.

**Step 2**

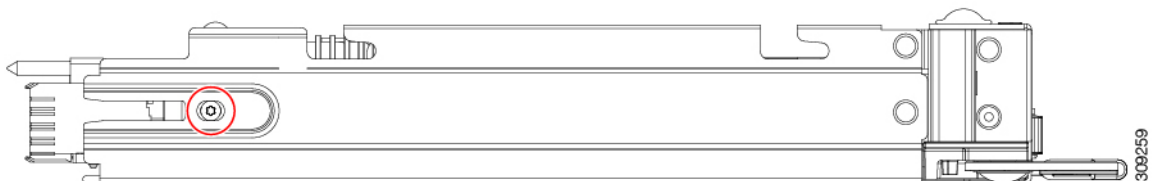
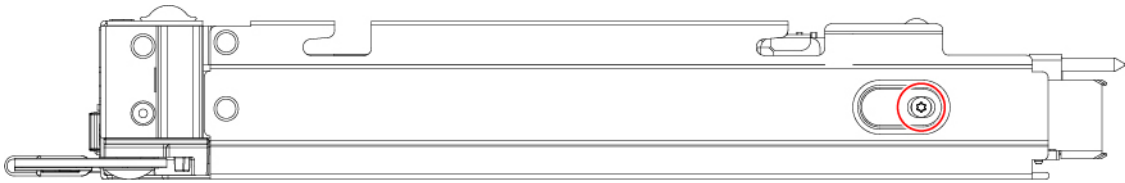
Remove the stiffener bracket.

- a) Using a T10 screwdriver, remove the M3 screws.
- b) Grasp the bracket and remove it.

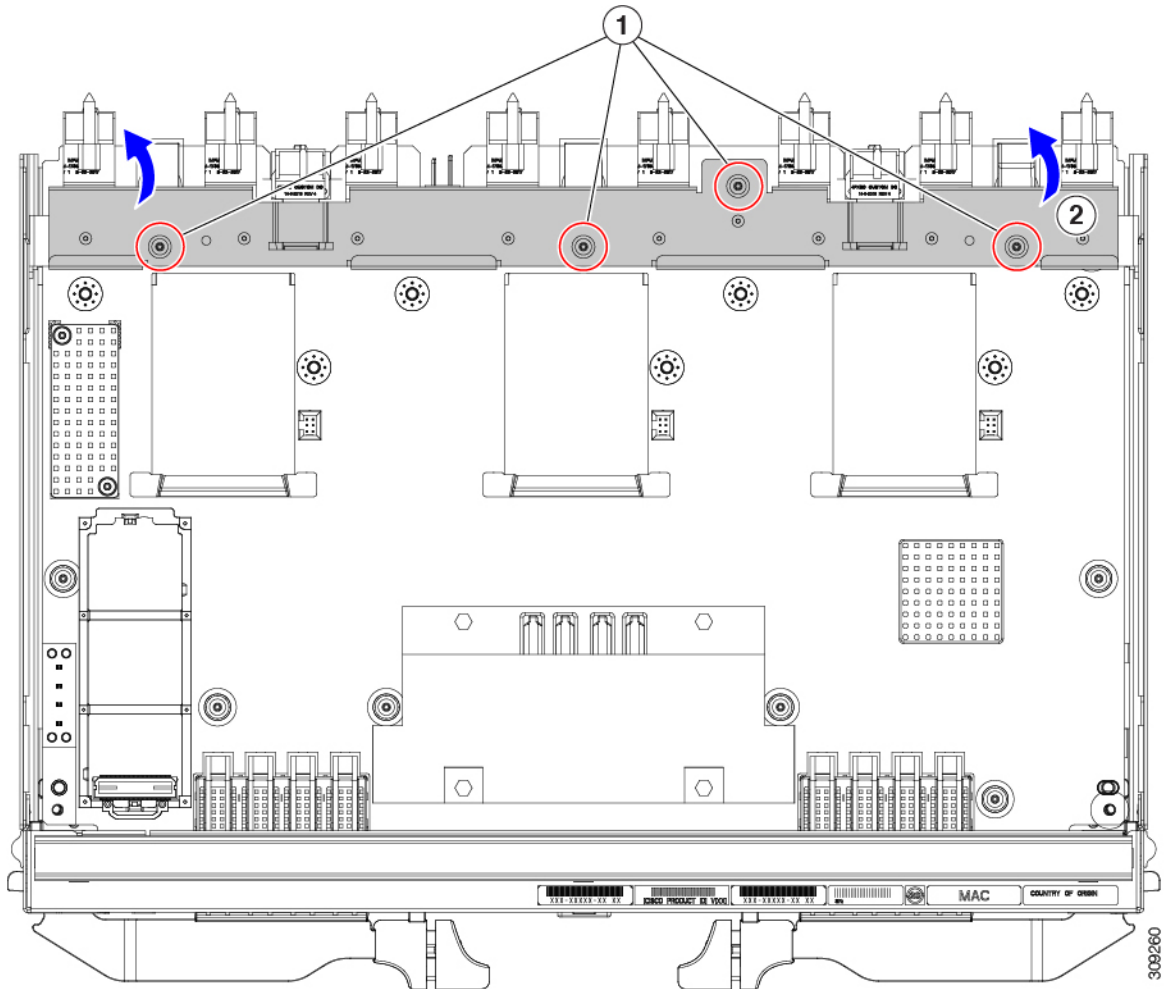


Step 3 Remove the horizontal rear bracket.

- a) Using a T8 screwdriver, remove the M3 screws on the exterior of the IFM.

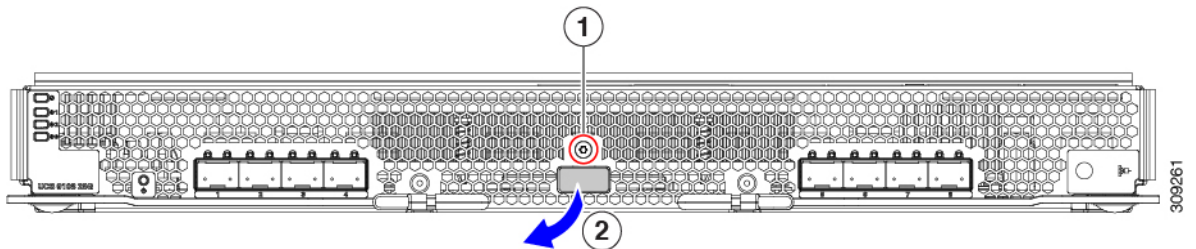


- b) Using a T10 screwdriver, remove the M3 screws on the interior of the IFM.
 c) Grasp the bracket and remove it.

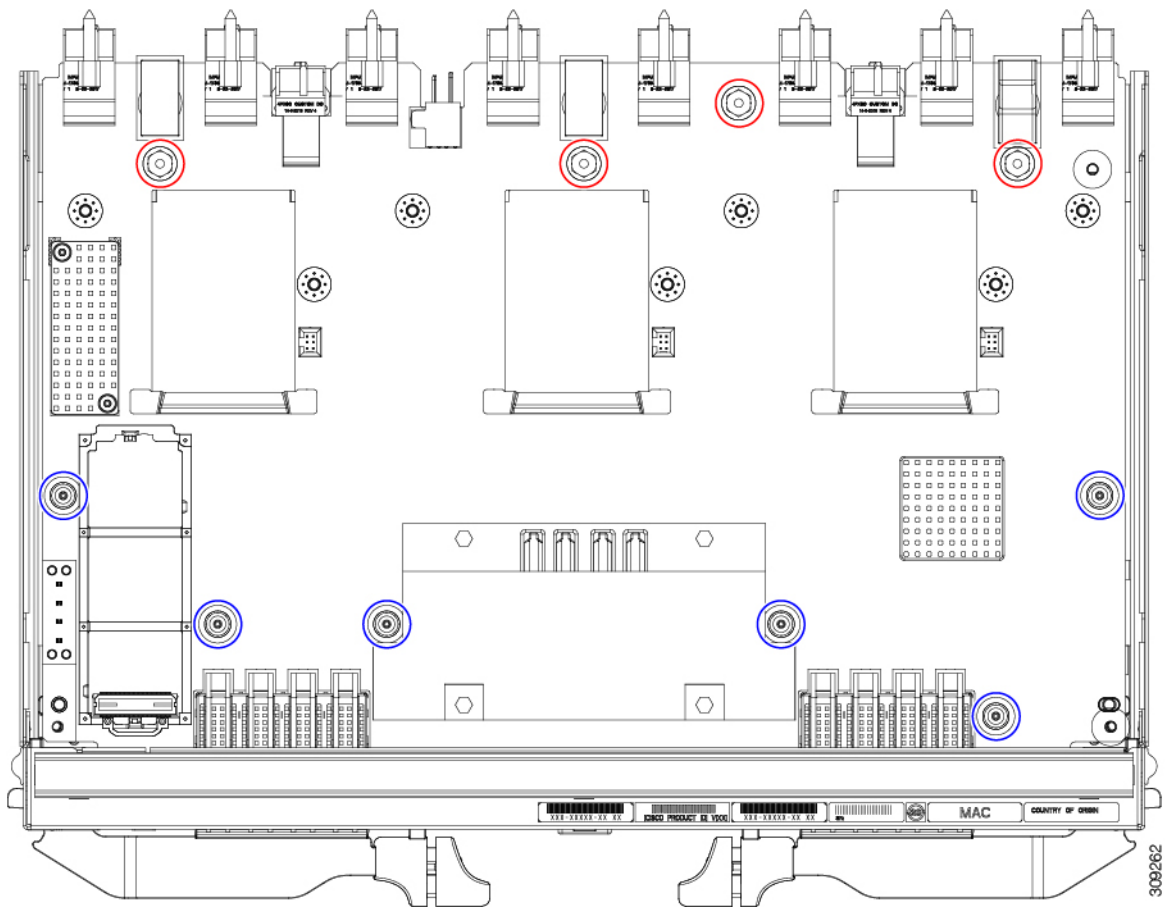


Step 4 Disconnect additional components and fasteners.

- a) Using a T8 screwdriver, remove the M3 screw on the IFM faceplate.
- b) Grasp the plastic HDMI plug and remove it.



- c) Using an 8mm hexagonal nut driver, remove the standoffs.
- d) Using a T10 screwdriver, remove the M3 screws.



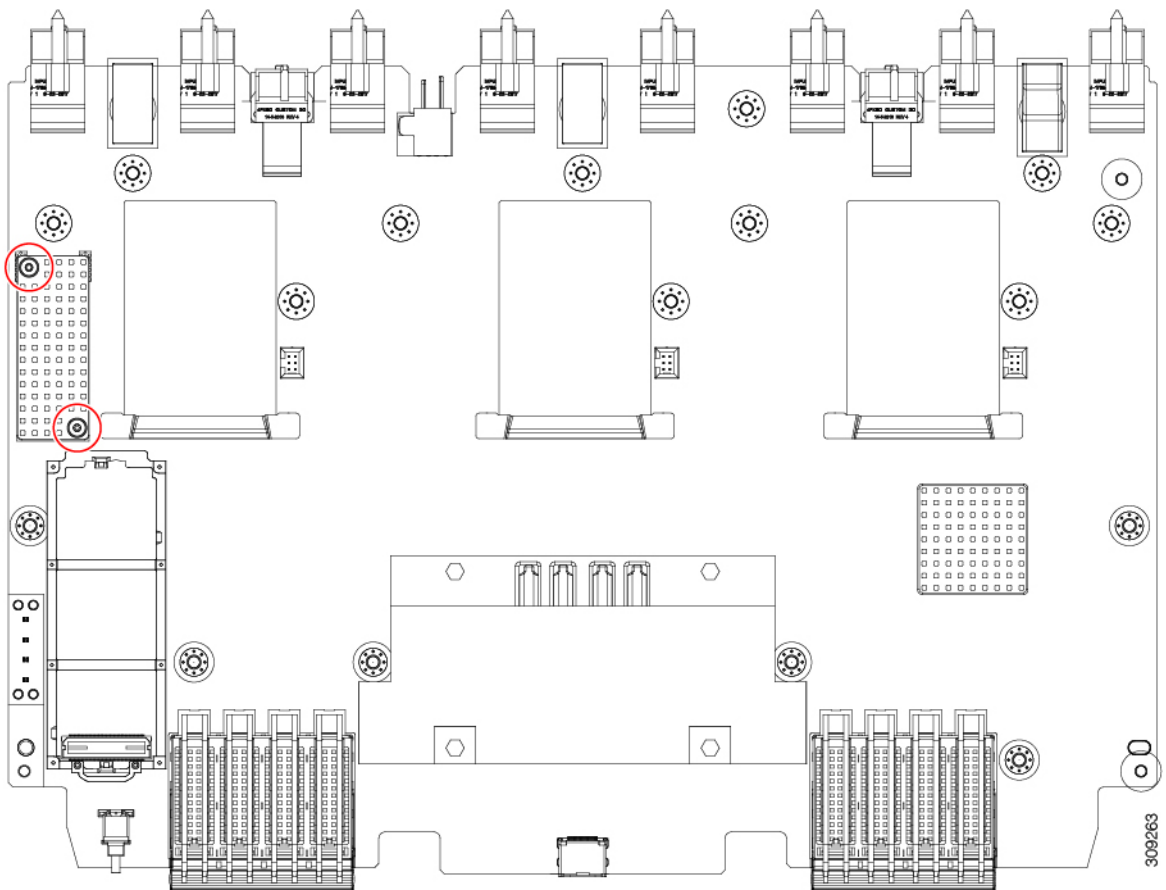
Red circles (○)	M3 hexagonal standoffs, 4
Blue circles (○)	M3 screws, 6

e) Grasp the PCBA and disconnect it from the sheet metal.

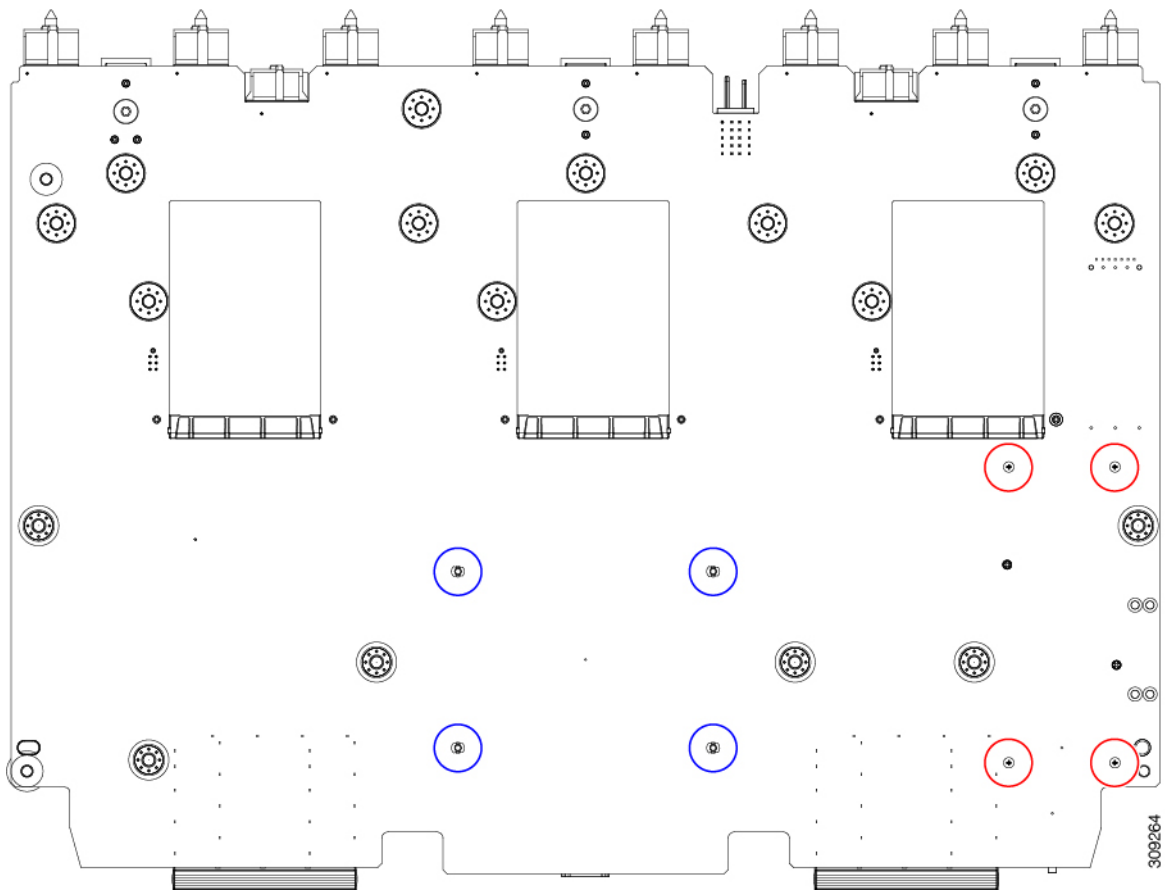
Step 5

Disconnect the remaining components from the PCBA.

a) Using the T10 screwdriver, remove the M3 screws for the top heatsink.

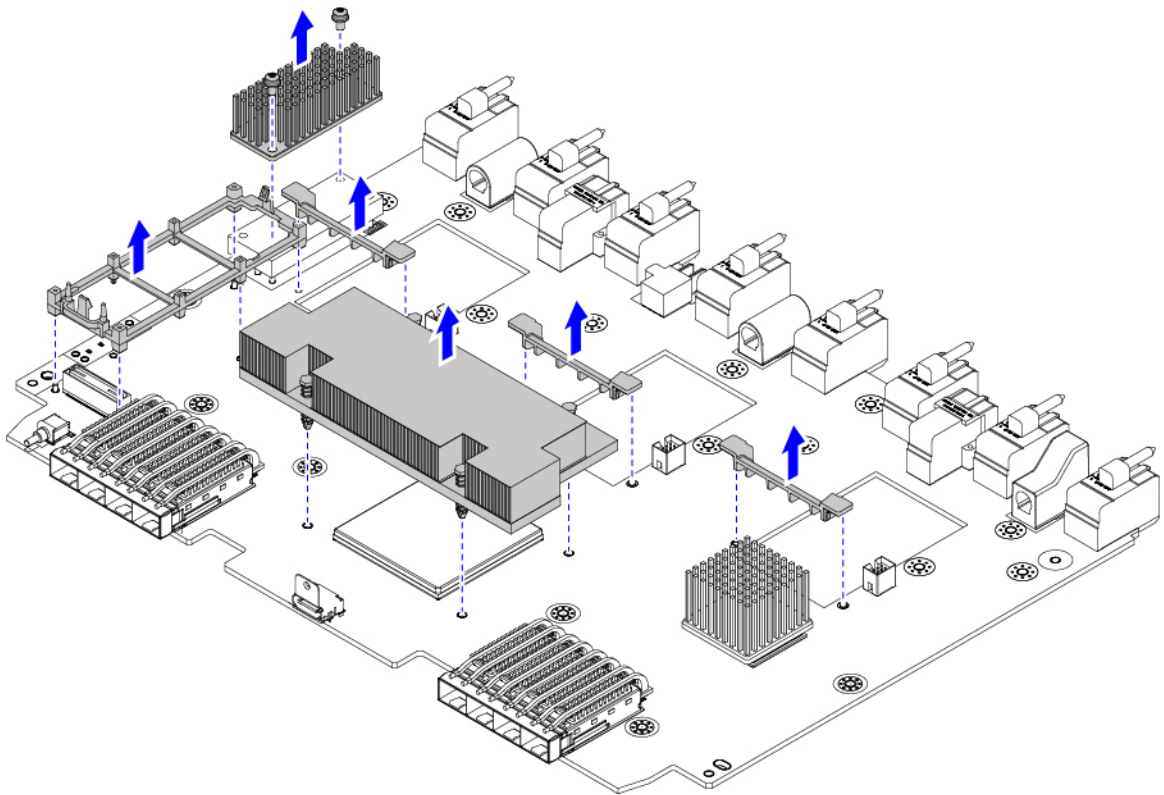


- b) Turn the PCBA over so that the bottom is facing up.
- c) Using the #1 Phillips screwdriver and remove the M2 screws.
- d) Using a pliers, release the four heatsink pushpins.



Red circles (○)	M2 screws for plastic bracket, 4
Blue circles (○)	Heatsink pushpins, 4

- e) Turn the PCBA over again so that the top is facing up.
- f) Grasp the plastic bracket for the M.2 module and remove it.
- g) If the top heat sink is still attached, grasp and remove it.
- h) Grasp the three fan baffles and remove them.
- i) Grasp the center heatsink and remove it.



Step 6 Recycle the sheet metal and motherboard in compliance with your local recycling and e-waste regulations.

What to do next

To remove the chassis motherboard, go to [Recycling the Chassis PCB Assembly \(PCBA\)](#), on page 124.

Recycling the UCS 9108 100G IFM PCBs

Each Cisco UCS Intelligent Fabric Module (IFM) has a printed circuit board (PCB) that is connected to the IFM's sheet metal tray. You must:

- Disassemble and remove additional parts to gain access to the PCB.
- Disconnect the PCB from the sheet metal to recycle the PCB.
- Recycle each IFM in the Cisco UCS X9508 chassis.

Use the following procedure to recycle the UCS IFMs.

Before you begin



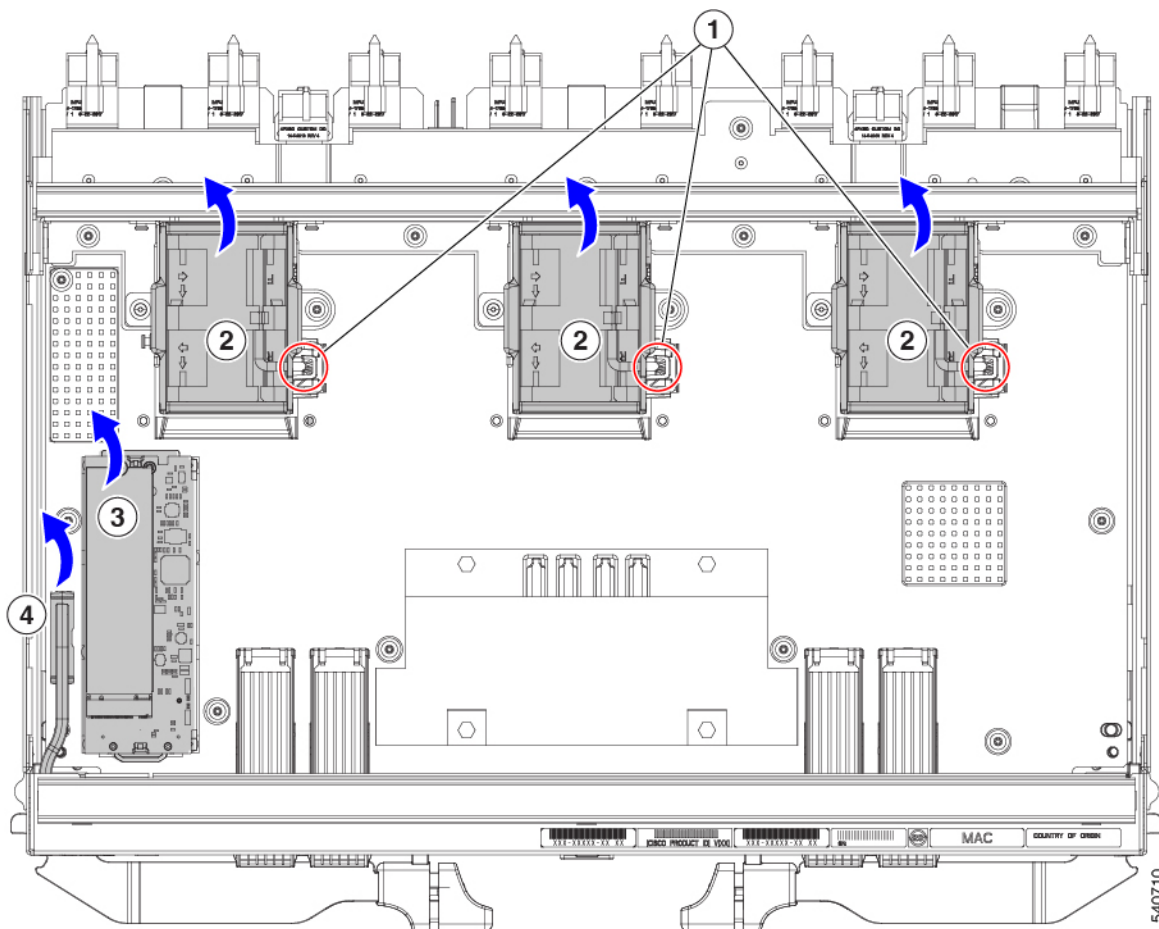
Note For Recyclers Only! This procedure is not a standard field-service option. This procedure is for recyclers who will be reclaiming the electronics and sheet metal for proper disposal to comply with local eco design and e-waste regulations.

You will find it helpful to gather the following tools before beginning this procedure:

- Screwdrivers: One each of T8 and T10 screwdriver, and #1 Phillips.
- Nut drivers: One 8mm hexagonal.

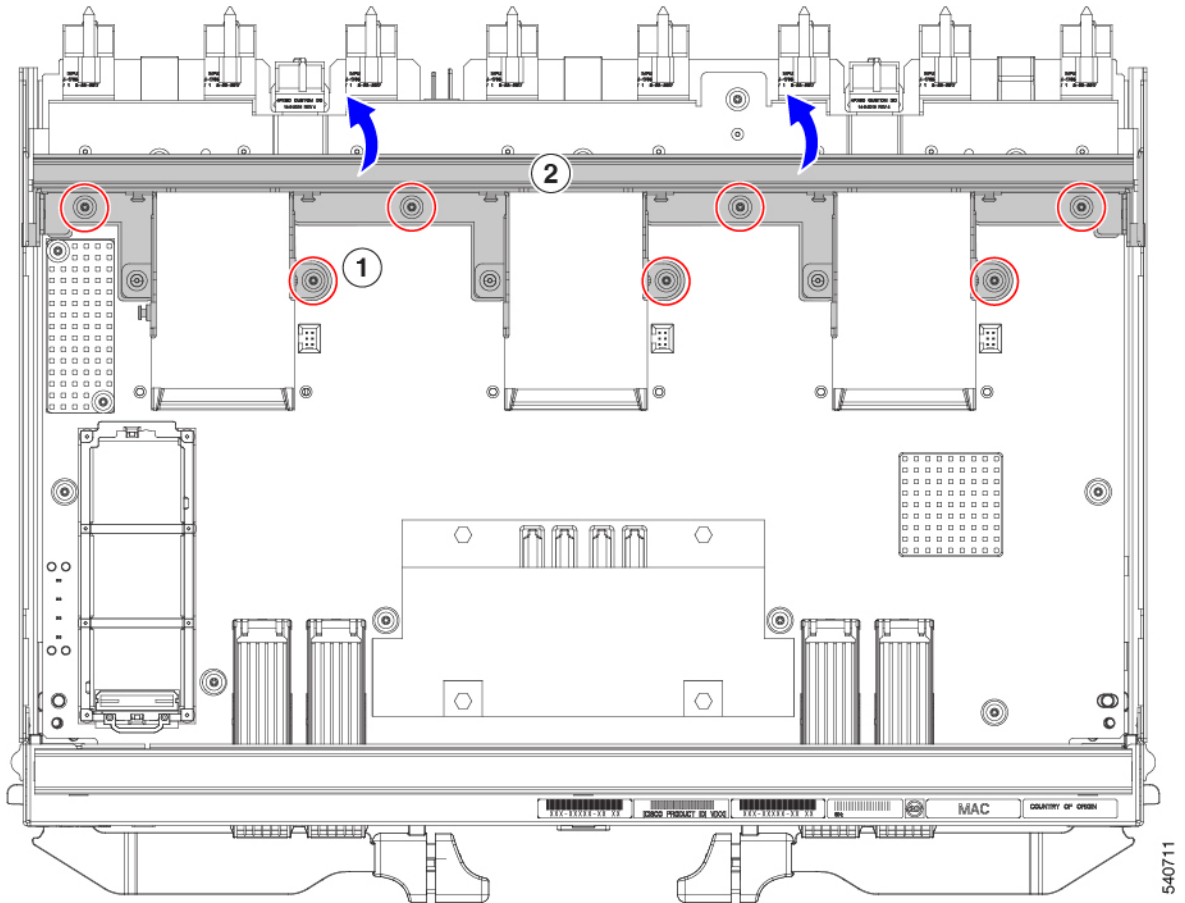
Step 1 Remove the following components by hand:

- a) Grasp each fan module cable and remove it.
- b) Grasp each fan module and remove it.
- c) Grasp the M.2 storage module and remove it.
- d) Grasp the light pipe and remove it.



Step 2 Remove the stiffener bracket.

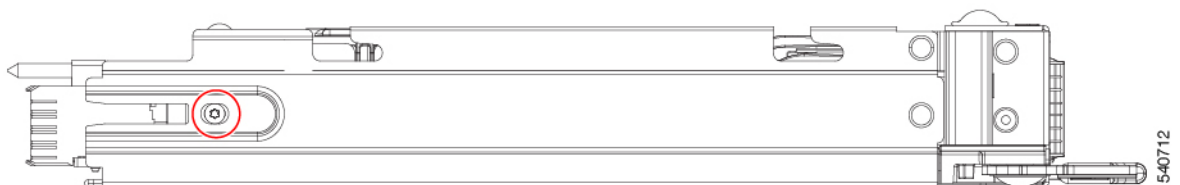
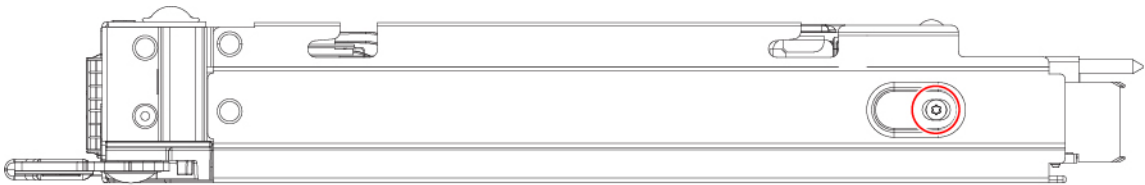
- a) Using a T10 screwdriver, remove the M3 screws.
- b) Grasp the bracket and remove it.



Step 3

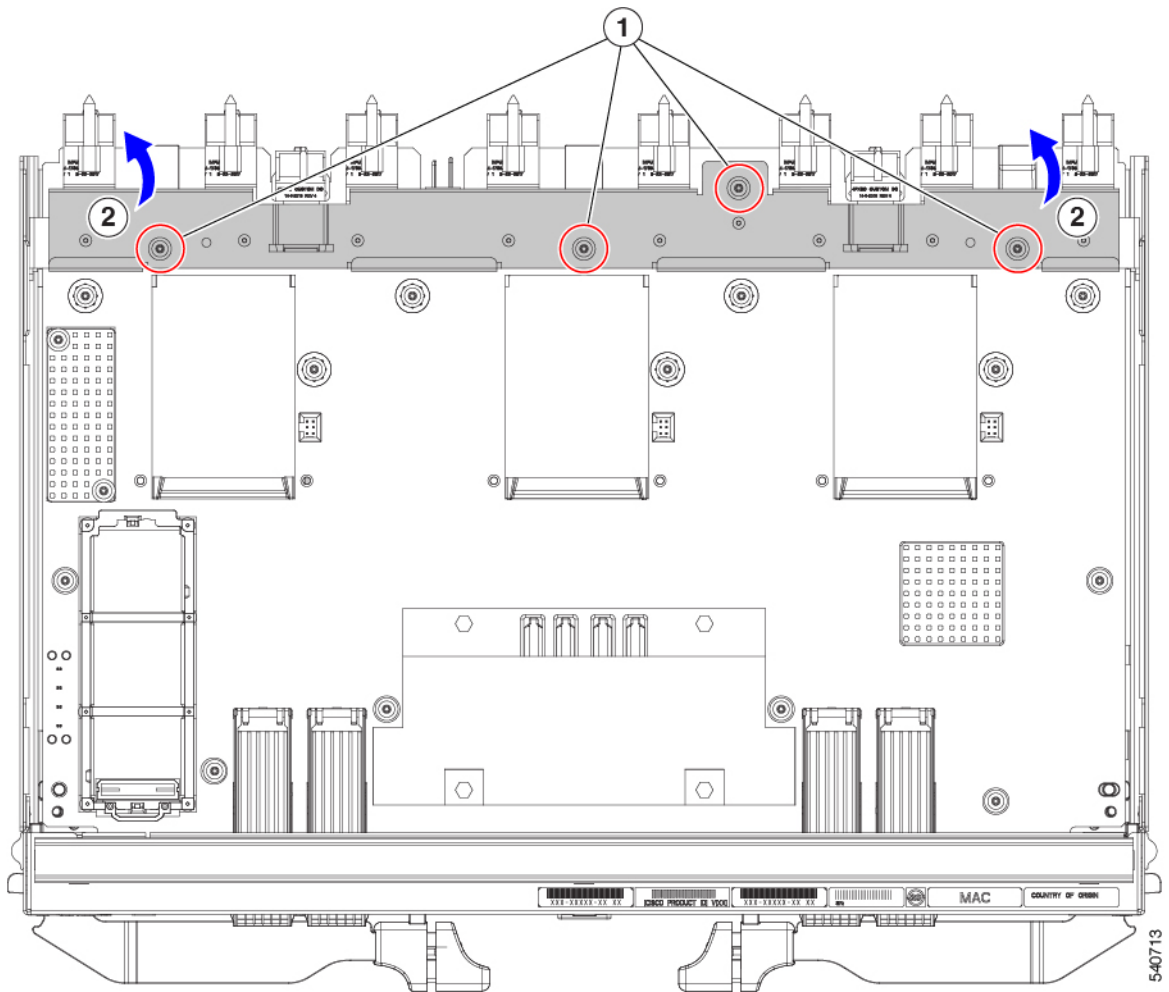
Remove the horizontal rear bracket.

- a) Using a T8 screwdriver, remove the M3 screws on the exterior of the IFM.



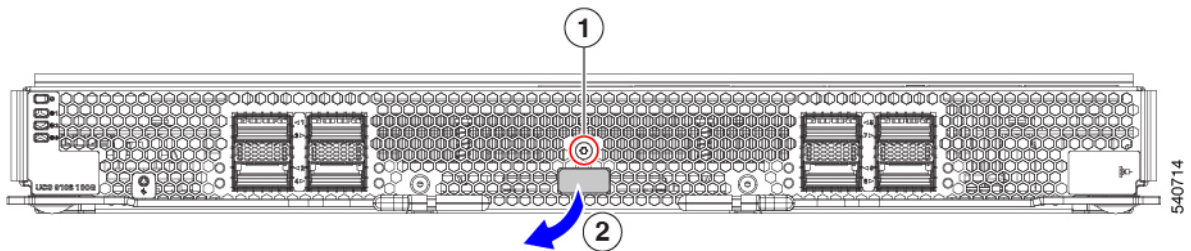
- b) Using a T10 screwdriver, remove the M3 screws on the interior of the IFM.

- c) Grasp the bracket and remove it.

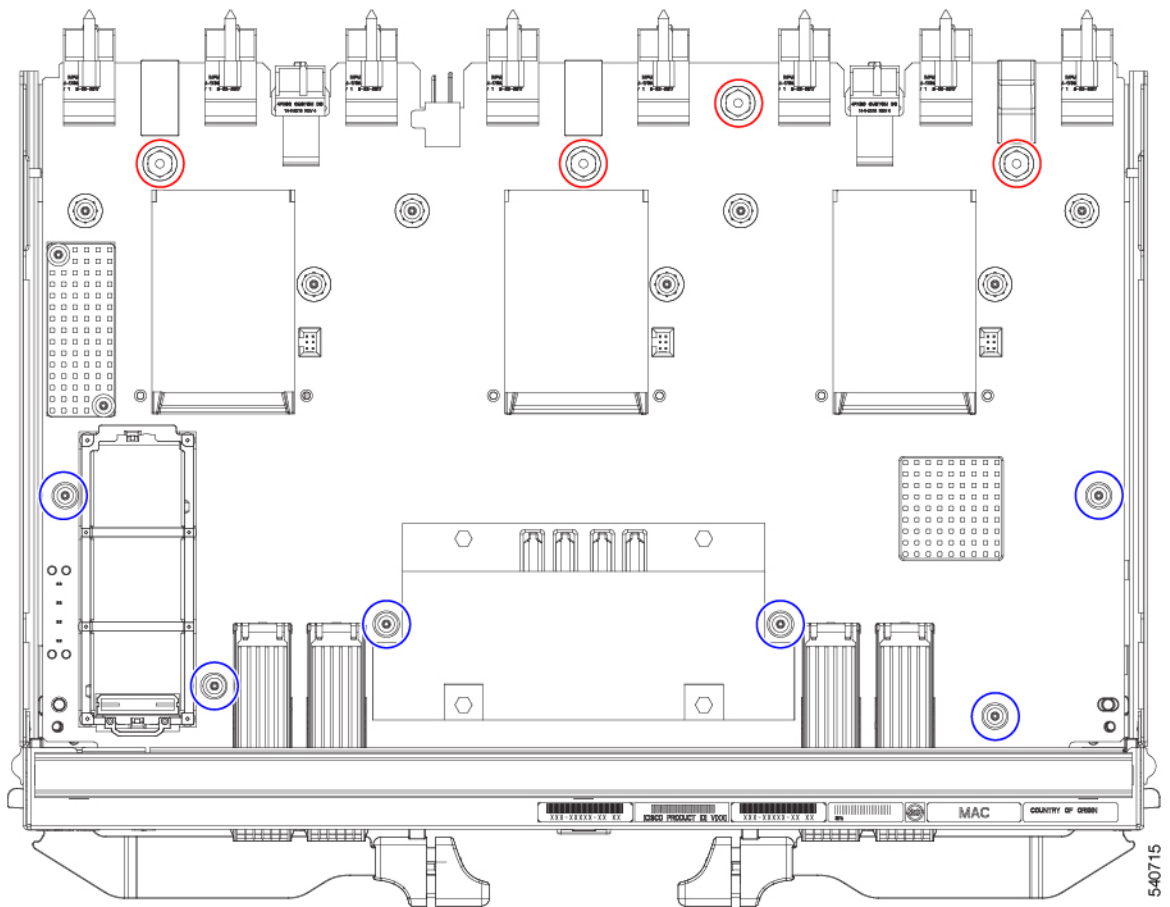


Step 4 Disconnect additional components and fasteners.

- a) Using a T8 screwdriver, remove the M3 screw on the IFM faceplate.
- b) Grasp the plastic HDMI plug and remove it.



- c) Using an 8mm hexagonal nut driver, remove the standoffs.
- d) Using a T10 screwdriver, remove the M3 screws.



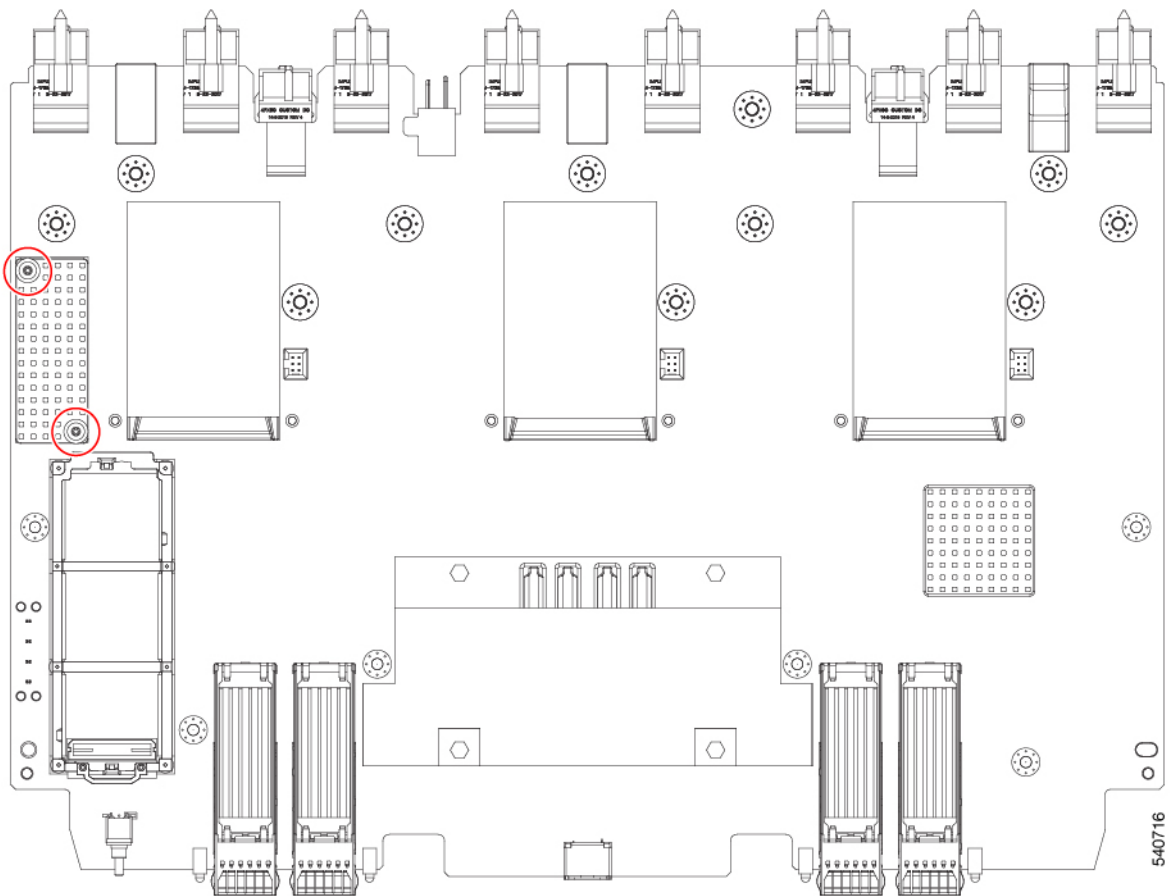
Red circles (○)	M3 hexagonal standoffs, 4
Blue circles (○)	M3 screws, 6

e) Grasp the PCBA and disconnect it from the sheet metal.

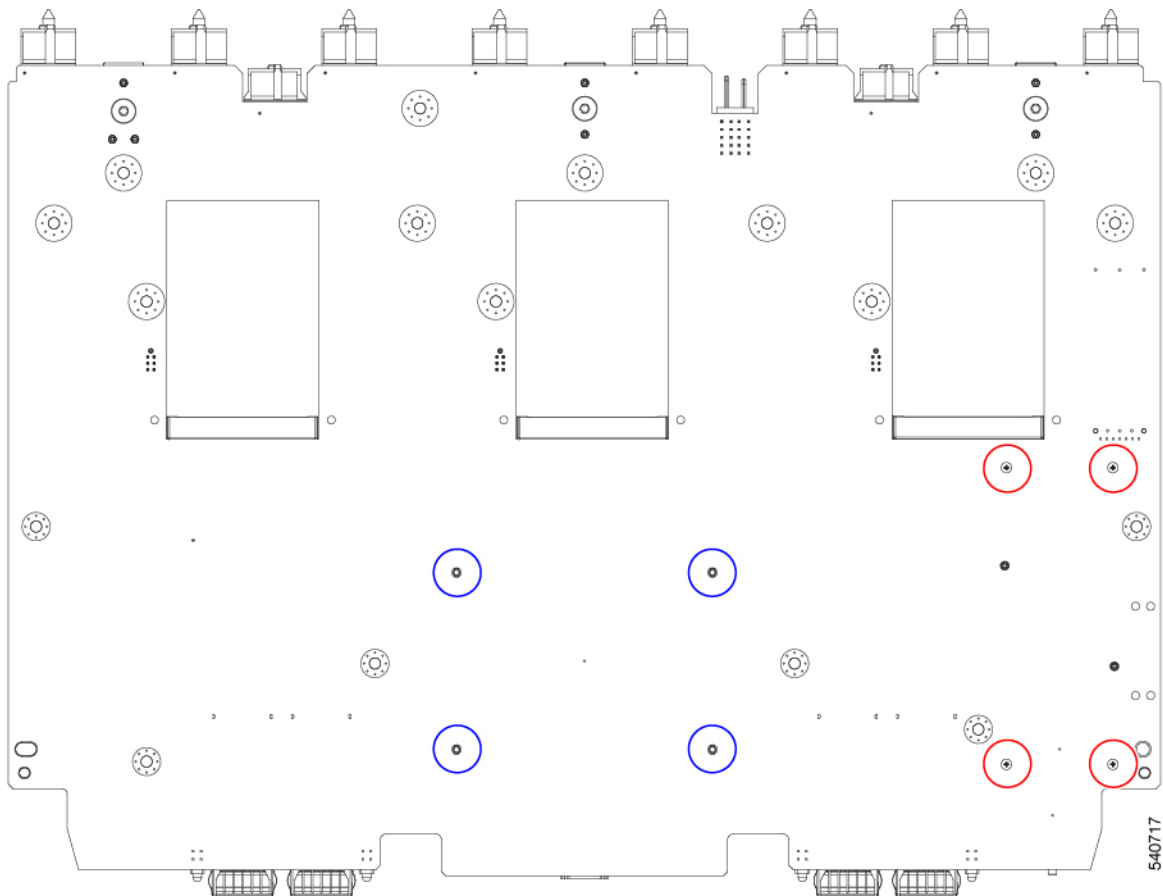
Step 5

Disconnect the remaining components from the PCBA.

a) Using the T10 screwdriver, remove the M3 screws for the top heatsink.

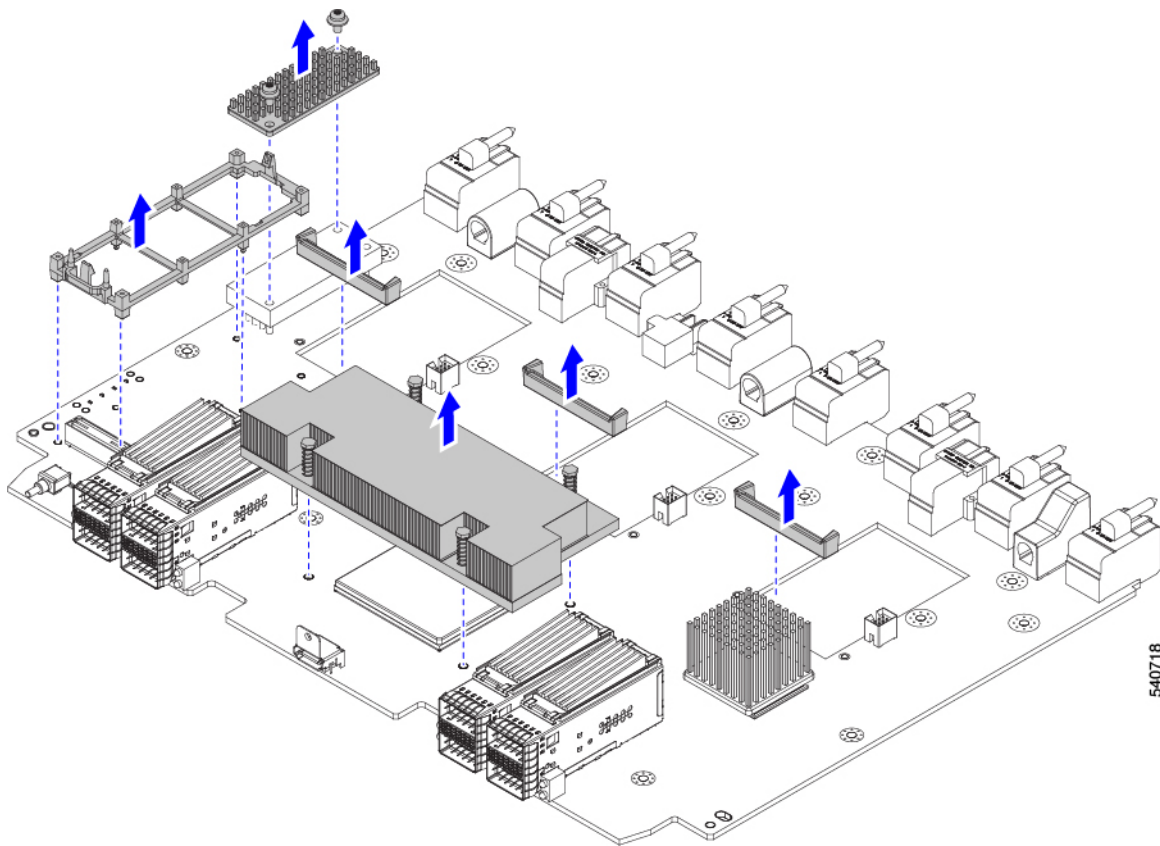


- b) Turn the PCBA over so that the bottom is facing up.
- c) Using the #1 Phillips screwdriver and remove the M2 screws.
- d) Using a pliers, release the four heatsink pushpins.



Red circles (○)	M2 screws for plastic bracket, 4
Blue circles (○)	Heatsink pushpins, 4

- e) Turn the PCBA over again so that the top is facing up.
- f) Grasp the plastic bracket for the M.2 module and remove it.
- g) If the top heat sink is still attached, grasp and remove it.
- h) Grasp the three fan baffles and remove them.
- i) Grasp the center heatsink and remove it.



Step 6 Recycle the sheet metal and motherboard in compliance with your local recycling and e-waste regulations.

What to do next

To remove the chassis motherboard, go to [Recycling the Chassis PCB Assembly \(PCBA\)](#), on page 124.

Recycling X-Fabric Module PCBs

Each UCS X-Fabric Module has a printed circuit board (PCB) that is connected to module's sheet metal tray. To recycle each module's PCB, you must:

- Disassemble and remove additional parts to gain access to the PCB.
- Disconnect the PCB from the sheet metal to recycle the PCB.
- Recycle each module in the Cisco UCS X9508 chassis.

Use the following task to recycle the X-Fabric modules.

Before you begin

Note **For Recyclers Only!** This procedure is not a standard field-service option. This procedure is for recyclers who will be reclaiming the electronics and sheet metal for proper disposal to comply with local eco design and e-waste regulations.

You will find it helpful to gather the following tools before attempting this procedure:

- Screwdrivers: One each of T8 and T10 screwdriver
- Nut drivers: One 8mm hexagonal head nut driver.

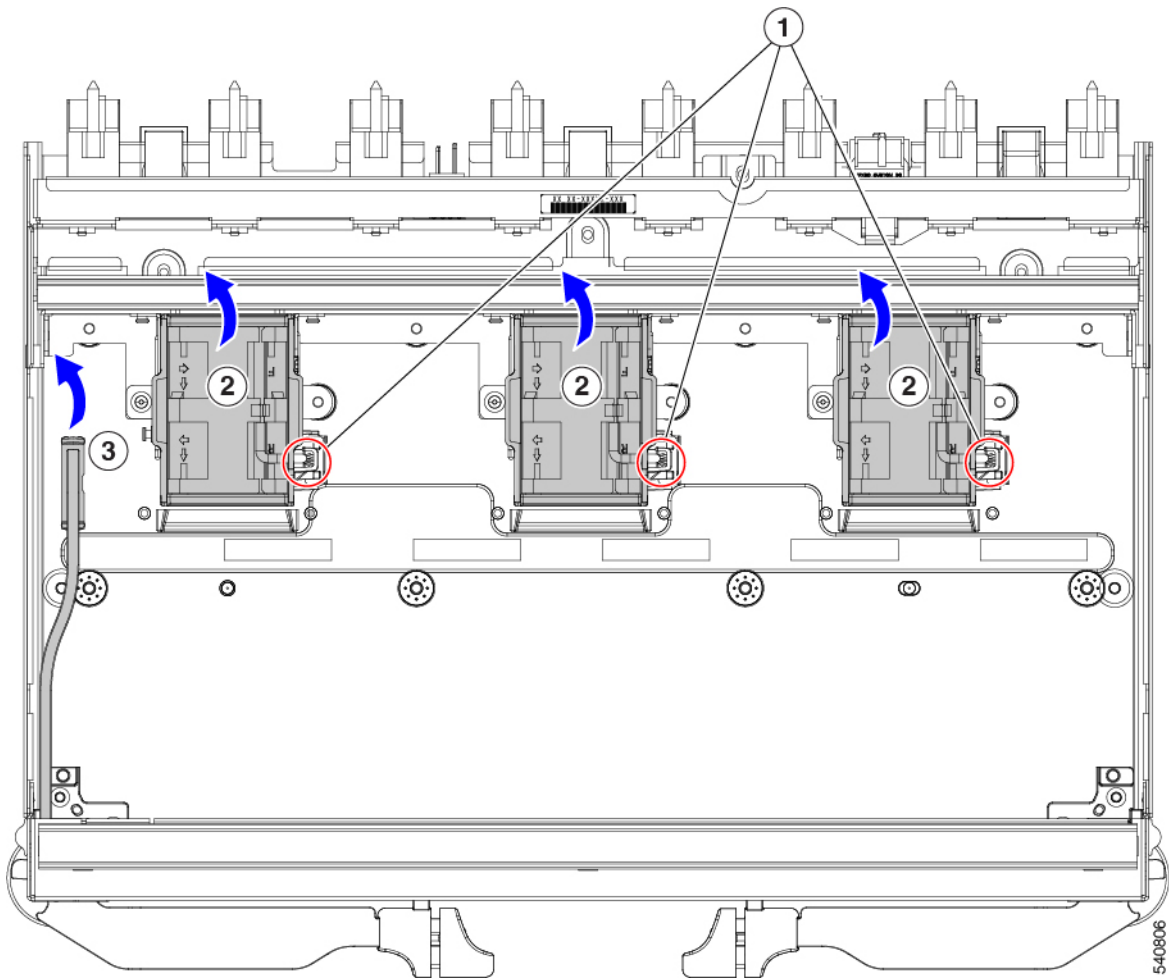
Step 1

Remove the following components by hand:

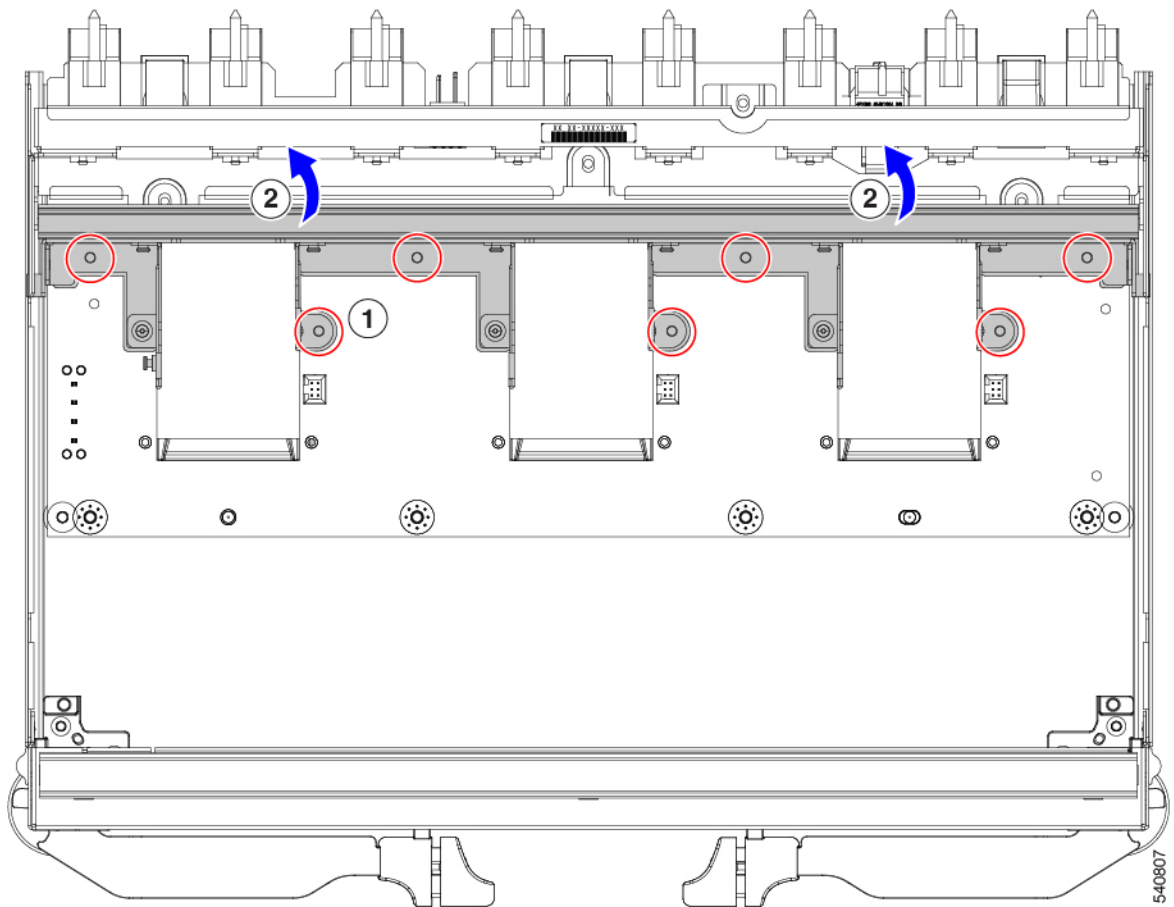
- a) Grasp each fan cable and remove it.
- b) Grasp each fan module and remove it.

For information, see [Removing a Fan for a UCS Intelligent Fabric Module \(IFM\) or X-Fabric Module \(XFM\) Blank, on page 115](#).

- c) Grasp the light pipe and remove it.

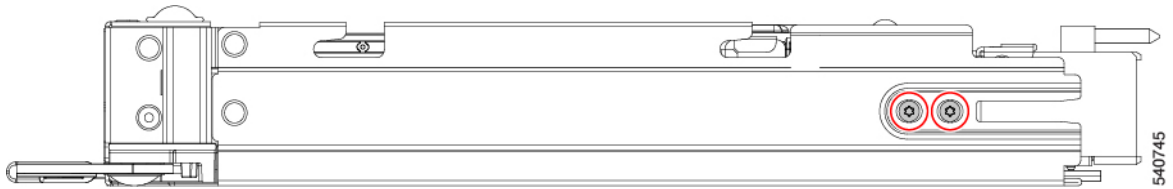
**Step 2** Remove the rear fan bracket.

- a) Using a T10 screwdriver, remove the M3 screws.
- b) Grasp the bracket and remove it.

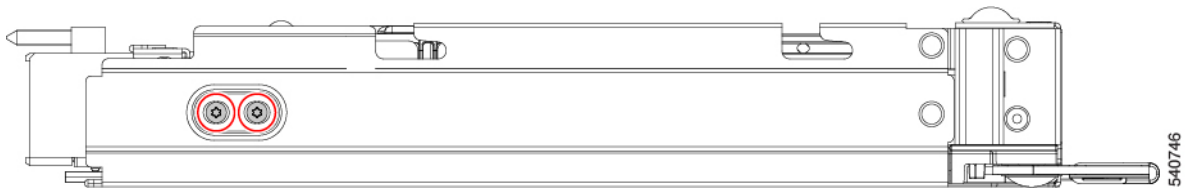


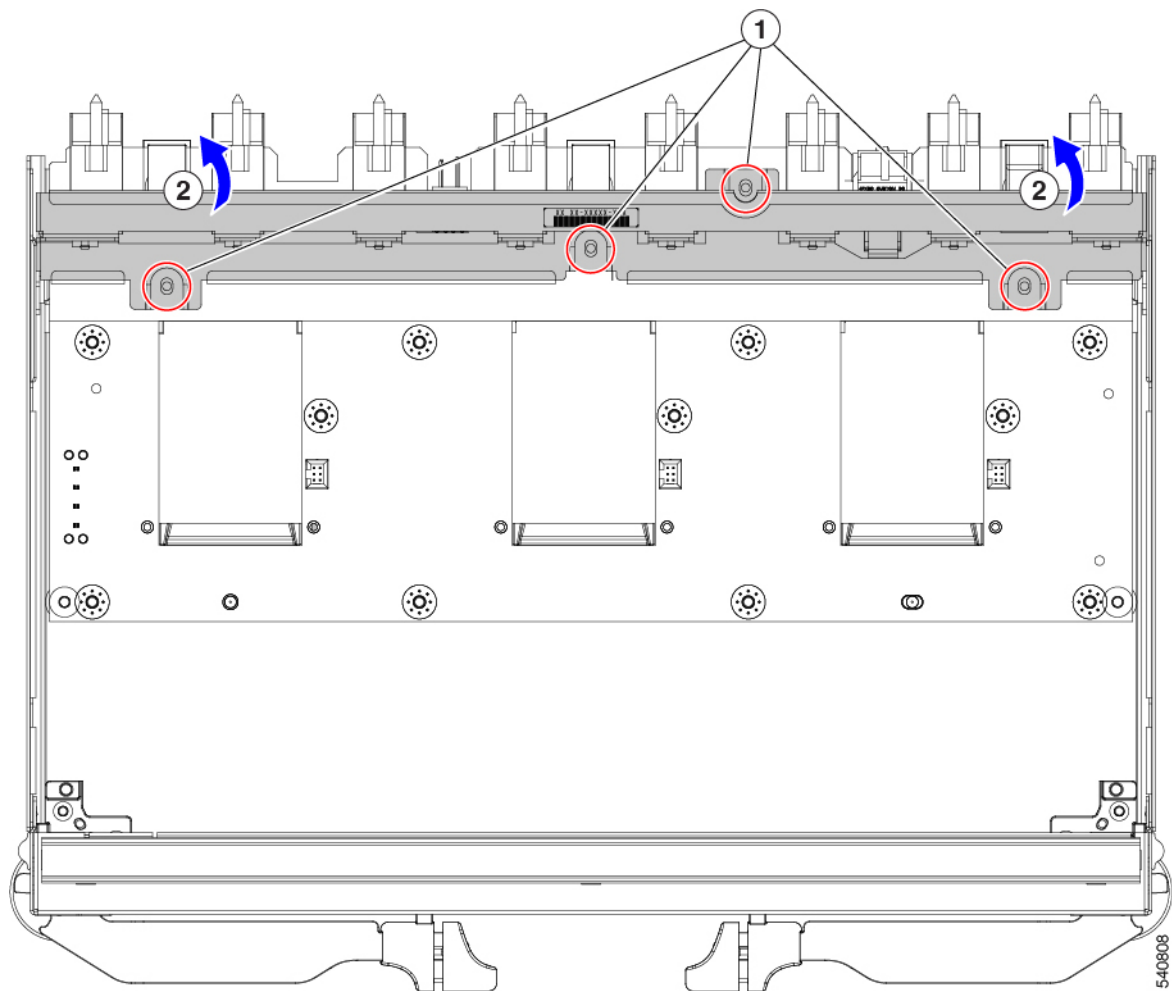
Step 3 Remove the rear back-panel connector bracket.

- a) Using a T8 screwdriver, remove the M3 screws (two per side) on the exterior of the module.

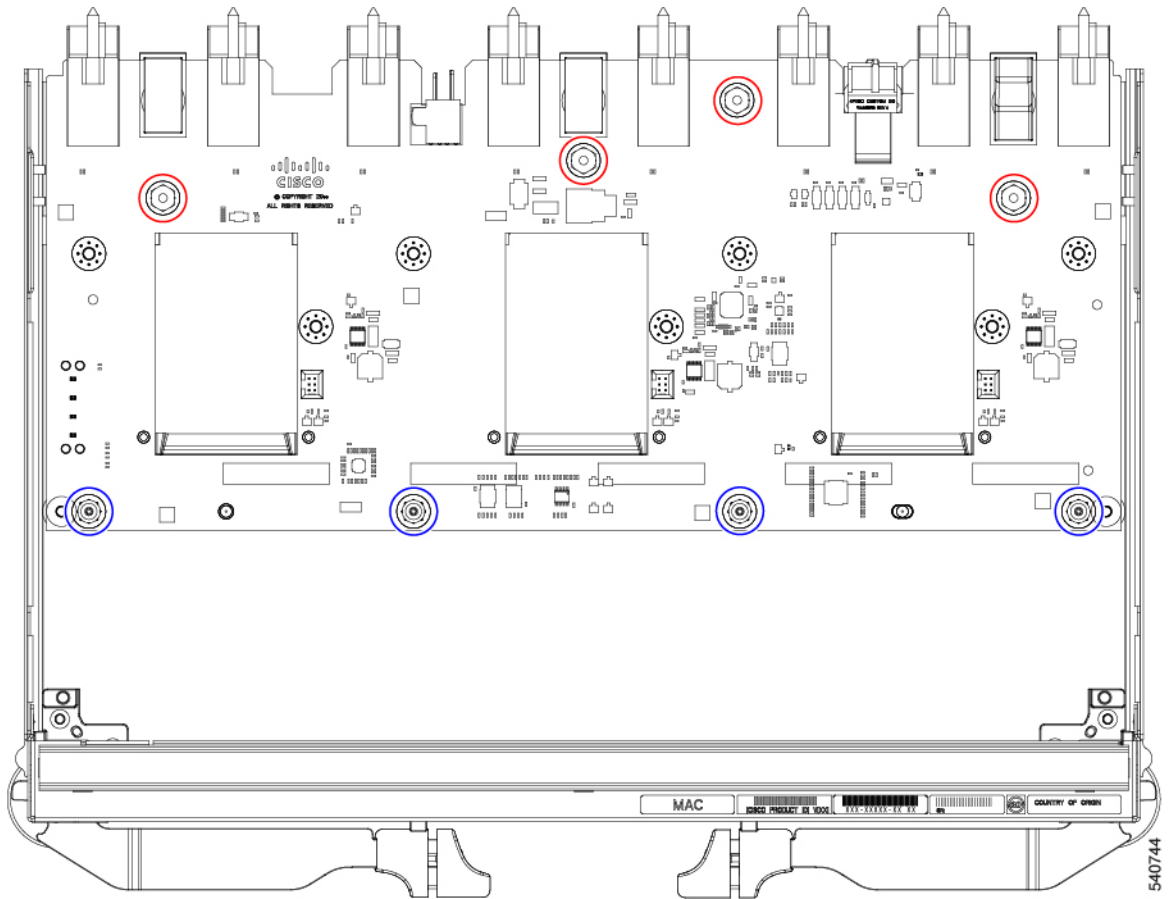


- b) Using a T10 screwdriver, remove the M3 screws on the interior of the module.
 c) Grasp the bracket and remove it.





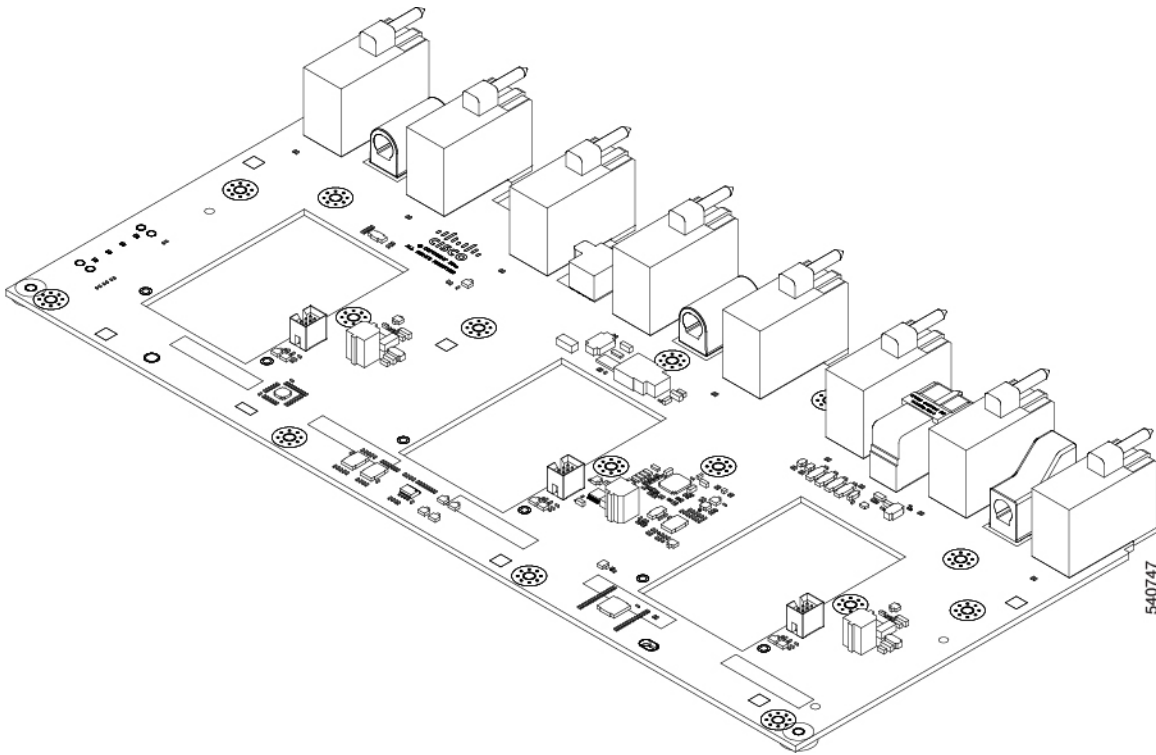
- Step 4** Remove additional components and fasteners.
- Using an 8mm hexagonal nut driver, remove the standoffs.
 - Using a T10 screwdriver, remove the M3 screws.



Red circles (○)	M3 hexagonal standoffs, 4
Blue circles (○)	M3 screws, 4

c) Grasp the PCBA and disconnect it from the sheet metal.

Step 5 Disconnect the PCB from the sheetmetal.



Step 6 Recycle the sheet metal and motherboard in compliance with your local recycling and e-waste regulations.

What to do next

Choose the appropriate option:

- To recycle an X-Fabric Module Blank motherboard, go to: [Recycling X-Fabric Module Blank PCBs, on page 148.](#)
- To recycle a 100G UCS Intelligent Fabric Module motherboard, go to: [Recycling the UCS 9108 100G IFM PCBs, on page 135.](#)
- To recycle a 25G UCS Intelligent Fabric Module motherboard, go to: [Recycling the UCS 9108 25G IFM PCBs, on page 128.](#)
- To recycle the chassis motherboard, go to [Recycling the Chassis PCB Assembly \(PCBA\), on page 124.](#)

Recycling X-Fabric Module Blank PCBs

Each UCS X-Fabric Module Blank (module blank) has a printed circuit board (PCB) that is connected to module blank's sheet metal tray. To recycle each module blank's PCB, you must:

- Disassemble and remove additional parts to gain access to the PCB.
- Disconnect the PCB from the sheet metal to recycle the PCB.
- Recycle each module blank in the Cisco UCS X9508 chassis.

Use the following task to recycle the module blank.

Before you begin



Note For Recyclers Only! This procedure is not a standard field-service option. This procedure is for recyclers who will be reclaiming the electronics and sheet metal for proper disposal to comply with local eco design and e-waste regulations.

You will find it helpful to gather a T10 screwdriver before attempting this procedure:

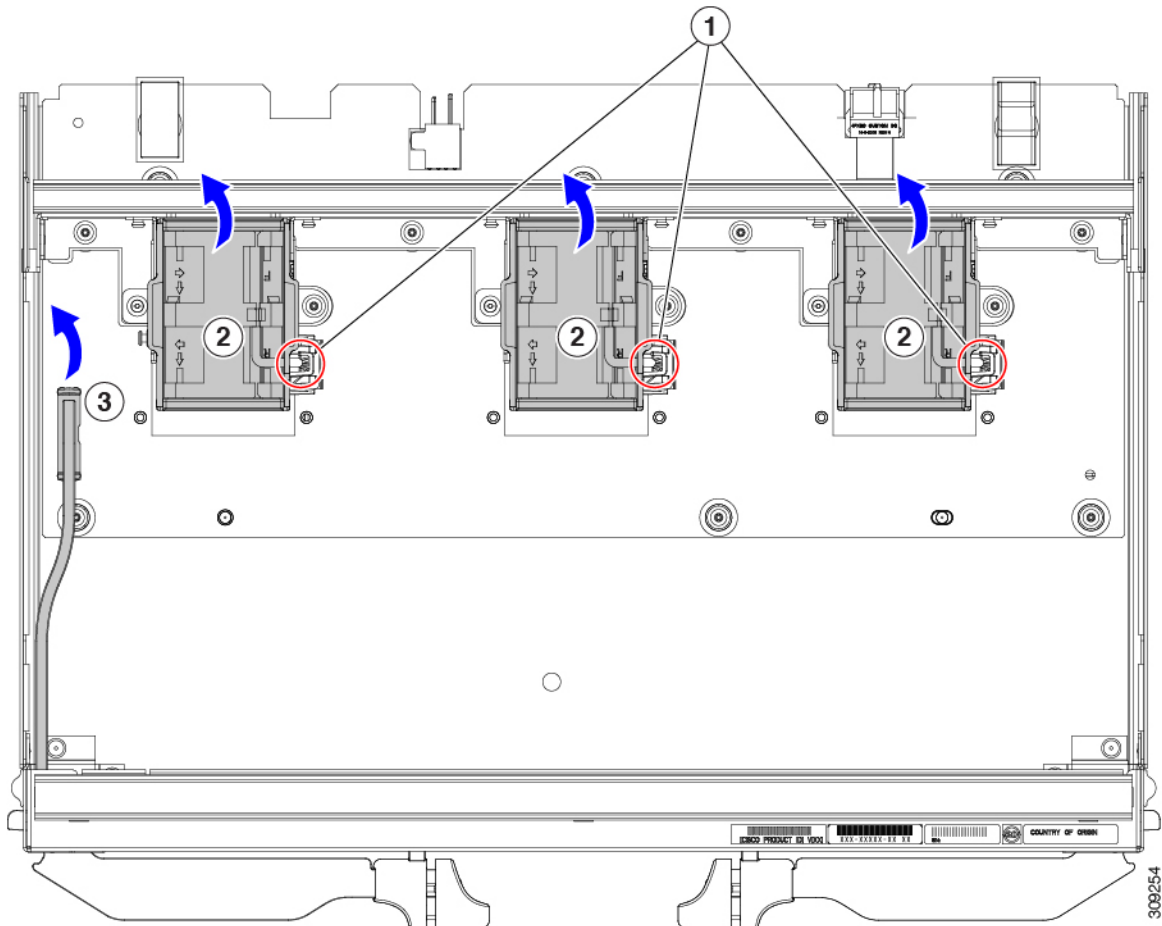
Step 1

Remove the following components by hand:

- a) Grasp each fan cable and remove it.
- b) Grasp each fan module and remove it.

For information, see [Removing a Fan for a UCS Intelligent Fabric Module \(IFM\) or X-Fabric Module \(XFM\) Blank](#), on page 115.

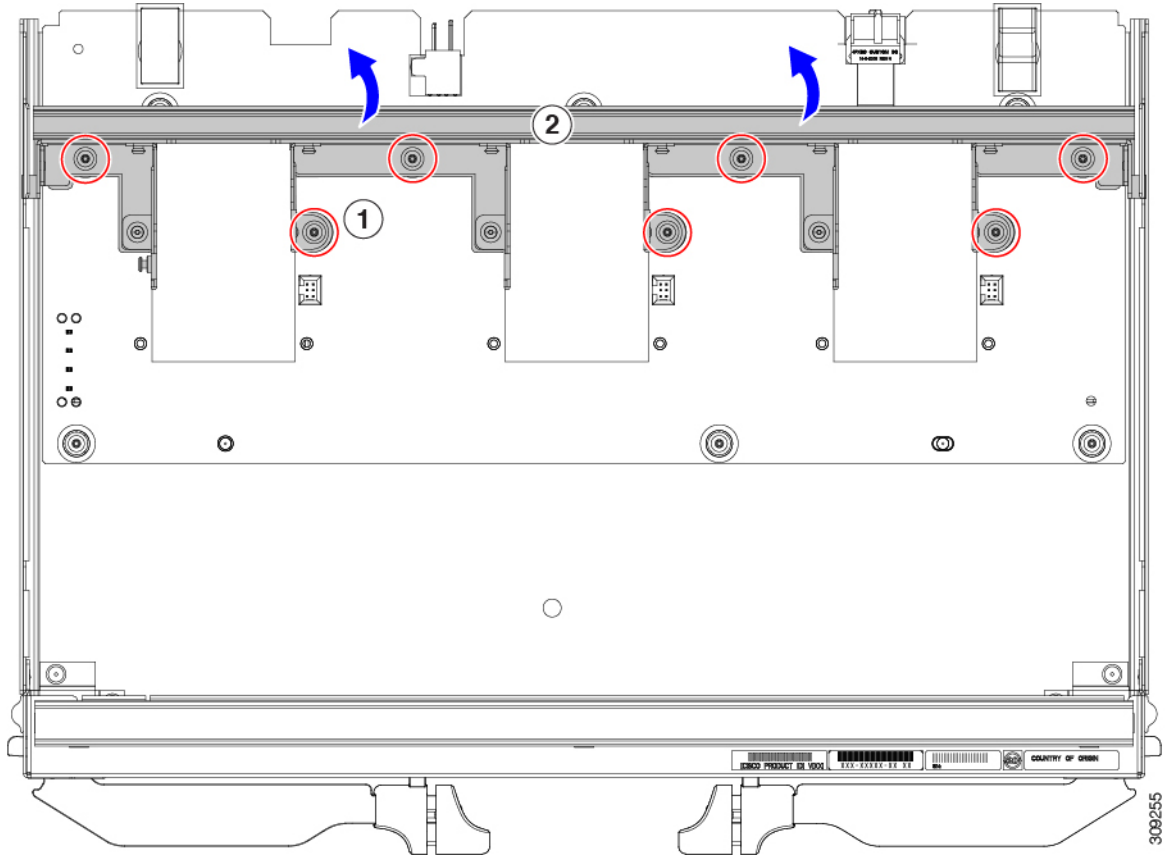
- c) Grasp the light pipe and remove it.



Step 2 Grasp the fan module support bracket and remove it.

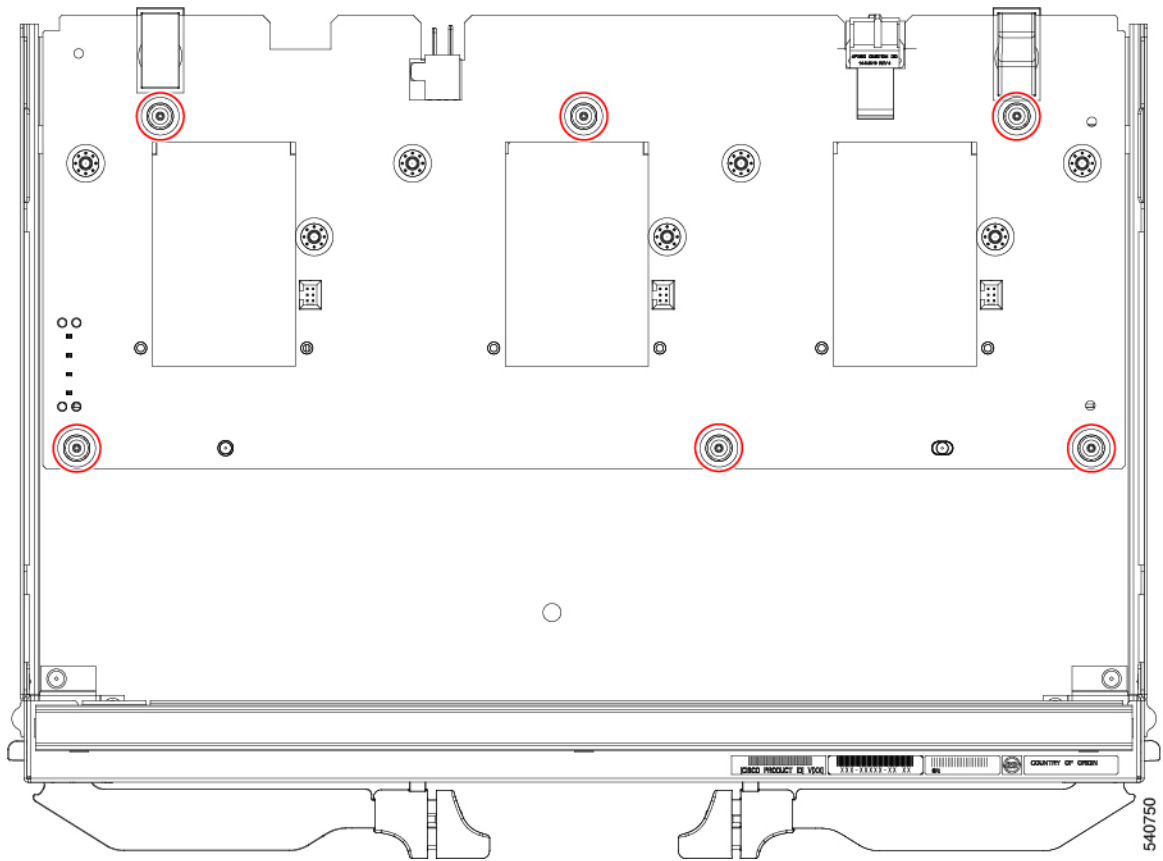
Step 3 Remove the vertical rear bracket.

- a) Using a T10 screwdriver, remove the M3 screws.
- b) Grasp the bracket and remove it.

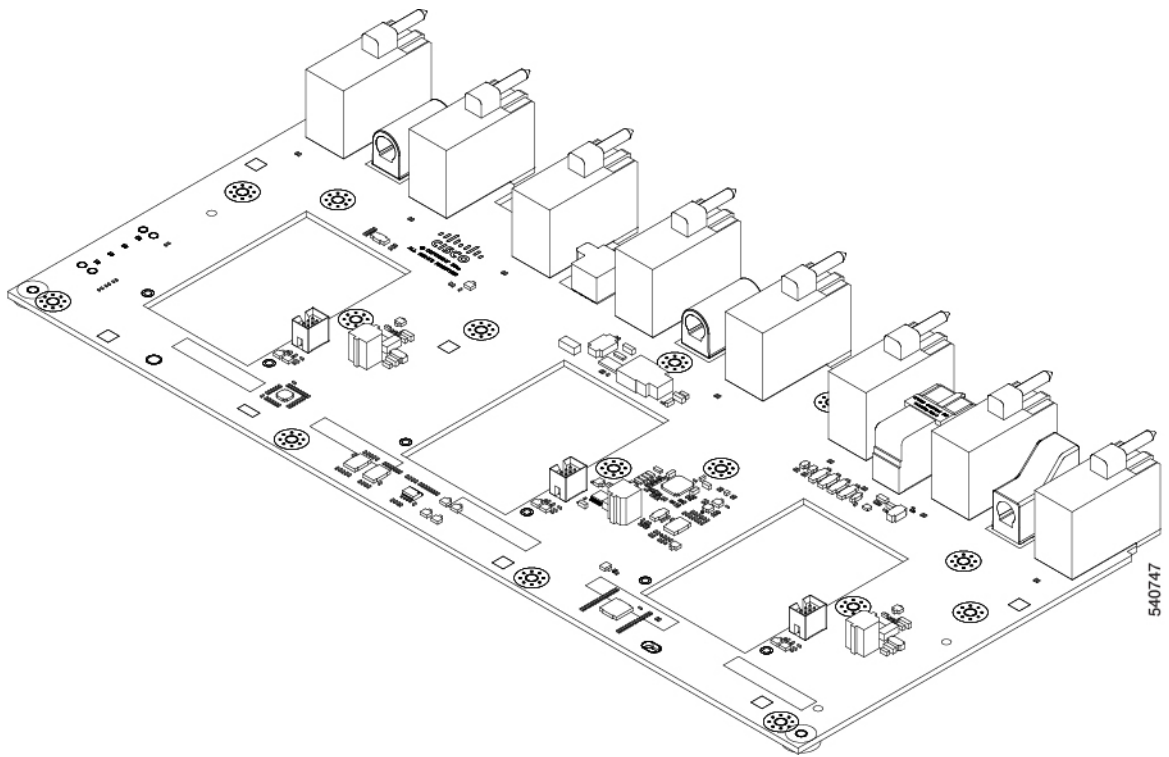


Step 4 Remove additional components and fasteners.

- a) Using a T10 screwdriver, remove the M3 screws.



- b) Grasp the PCB and disconnect it from the sheet metal.



Step 5 Recycle the sheet metal and motherboard in compliance with your local recycling and e-waste regulations.

What to do next

Choose the appropriate option:

- To recycle an X-Fabric Module motherboard, go to: [Recycling X-Fabric Module PCBs, on page 142.](#)
- To recycle a 100G UCS Intelligent Fabric Module motherboard, go to: [Recycling the UCS 9108 100G IFM PCBs, on page 135.](#)
- To recycle a 25G UCS Intelligent Fabric Module motherboard, go to: [Recycling the UCS 9108 25G IFM PCBs, on page 128.](#)
- To recycle the chassis motherboard, go to [Recycling the Chassis PCB Assembly \(PCBA\), on page 124.](#)



APPENDIX **A**

Technical Specifications

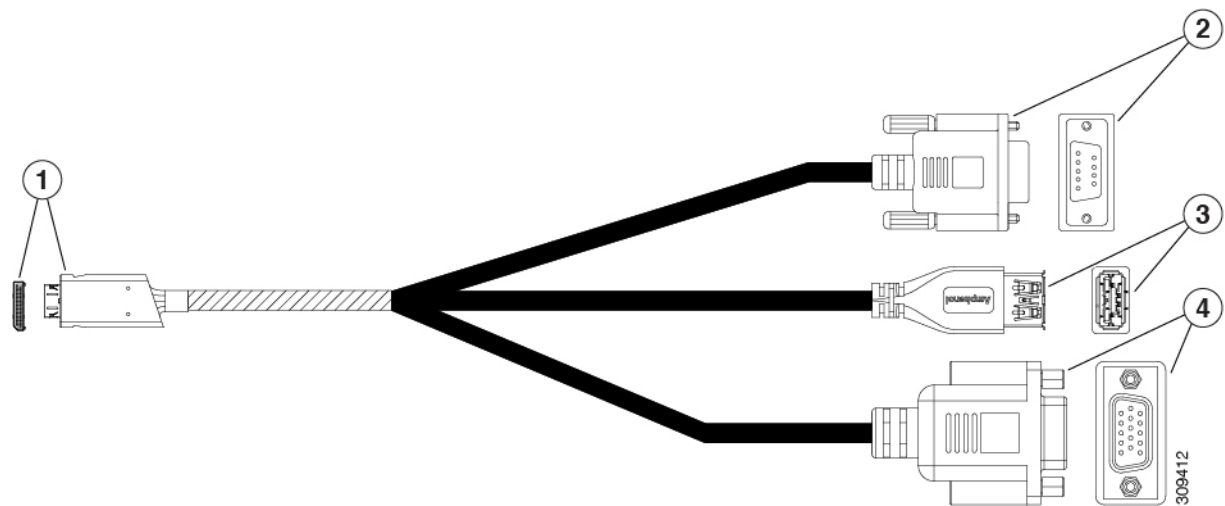
This appendix lists the technical specifications for the Cisco UCS X9508 server chassis.

- [KVM Cable, on page 153](#)
- [Chassis Specifications, on page 154](#)
- [Environmental Specifications, on page 156](#)
- [Specifications for the Cisco UCS X9508 Chassis Power Supply Units, on page 157](#)
- [Supported AC Power Cords and Plugs, on page 157](#)

KVM Cable

The KVM cable (UCSX-C-DEBUGCBL) provides a connection into a Cisco UCS compute node, providing a DB-9 serial connector, a DB-15 connector, and a USB ports for a keyboard and mouse. With this cable you can create a direct connection to the operating system and the BIOS running on a compute node.

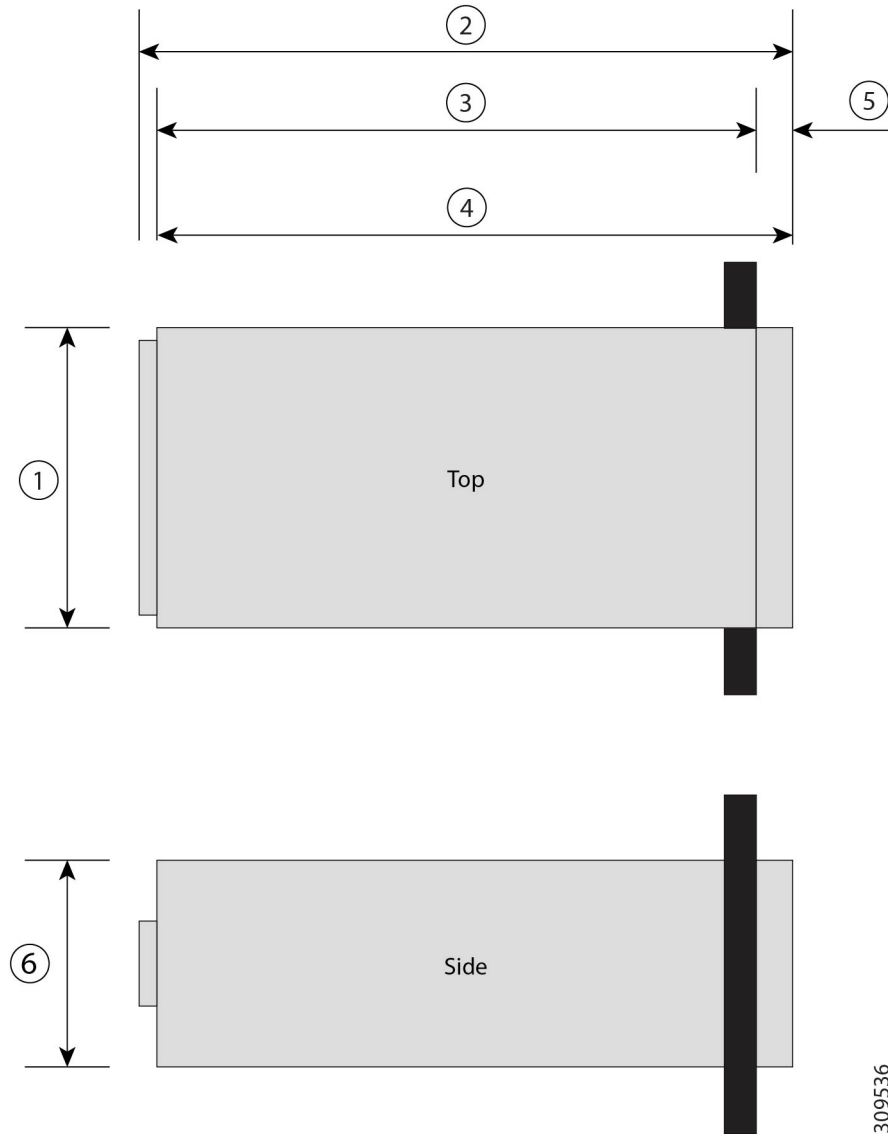
Figure 68: KVM Cable for Compute Nodes



1	Oculink Connector to compute node	2	DB-9 serial connector to host Console port
3	USB connector to connect to single USB 3.0 port (keyboard or mouse)	4	DB-15 connector to connect to a host VGA monitor

Chassis Specifications

Figure 69: Chassis Dimensions



309536

1	Chassis Width: 17.5 in (444.5 mm)
2	Total Chassis Length, plus protrusions: 35.8 in (909.32 mm)
3	Chassis Length measured from front rack rail: 33.05 in (839.47 mm)
4	Chassis Length, front face to rear face: 34.8 in (884 mm)

5	Chassis Front Clearance: 1.77 in (44.96 mm) Cable management trays, if used, add 4.5 in (114.3 mm) of length to the chassis.
6	Chassis Height: 12.05 in (306.07 mm)

Table 5: Chassis Capacities

Description	Specification
Node slots	8
IFM slots	2
XFM slots	2
Fan module bays	4
Power supply bays	6

Table 6: Weight of the Chassis Components

Description	Specification
Empty chassis	92 lbs (41.73 kg)
IFM	8.4 lbs (3.81 kg)
IFM Filler Panel	5.8 lbs (2.63 kg)
Fan module	3.4 lbs (1.54 kg)
PSU	4 lbs (1.81 kg)
Compute Node	14.9 to 25 lbs (6.76 to 11.34 kg) depending on hardware options.
PCIe Node	12.84 to 17.9 lbs (5.83 kg to 8.12 kg) depending on the quantity and types of GPUs installed.
Fully Populated UCS X9508 Chassis	Approximately 400 lbs (181.43 kg) depending on models and options selected

¹ The system weight listed here is an estimate for a fully configured system and will vary depending on the devices installed.

Environmental Specifications

Table 7: Environmental Specifications for the Chassis

Description	Specification
Temperature, operating within altitude: 0 to 10,000 feet (0 to 3,000 meters)	50 to 95°F (10 to 35°C) (As altitude increases, maximum temperature decreases by 1°C per 300m.) For general information, see the Cisco Unified Computing System Site Planning Guide: Data Center Power and Cooling .
Temperature, non-operating within altitude: 0 to 40,000 feet (0 to 12,000 meters)	–40 to 149°F (–40 to 65°C)
Humidity (RH), noncondensing	Operating: 10-90%, 28°C max. wet bulb Nonoperating: 5-93%, 38°C max wet bulb
Altitude	Operating – 0 to 10000 feet (0 to 3000 meters) Above 10,000 feet, maximum temperature decreases by 1°C per 1000 feet (~300 meters) above 10,000 feet Nonoperating – 40,000 ft (12,000 m)
Sound Pressure Level	83 dBA—at normal operating temperature.

Environmental Conditions and Power Requirement Specifications for Twinax SFP+ Transceivers

Table 8: Environmental Conditions and Power Requirement for the SFP+ Transceiver

Parameter	Symbol	Min.	Max.	Unit
Storage temperature	TS	–40	85	°C
Case temperature	TC	0	50	°C
Module supply voltage	VCCT,R	3.1	3.5	V

Specifications for the Cisco UCS X9508 Chassis Power Supply Units

Table 9: AC-input Titanium Power Supply (N20-PAC5-2800W) Specifications

Description	Specification
AC-input voltage	Voltage Range 100-127 VAC, 200-240 VAC Nominal (range: 90-140 VAC, 180-264 VAC)
AC-input frequency	50 to 60 Hz nominal (range: 47 to 63 Hz)
Maximum AC-input current	18 A @ 90 VAC 18 A @ 180 VAC
Maximum input VA	3200 VA at 230 VAC
Maximum output power per power supply	2800 W @ 200-240 VAC Nominal 1400 W @ 100-127 VAC Nominal
Maximum inrush current	35 A (sub cycle duration)
Minimum hold up time	10 ms @ 1400 W 10 ms @ 2800 W
Power supply main output voltage	54 VDC
Power supply standby voltage	3.4 V
Efficiency Rating	80+ Titanium Certified
Input connector	IEC320 C20 System input power connectors are located in the chassis PEMs, not on the power supply

For information about supported power cords, see [Technical Specifications, on page 153](#).

Supported AC Power Cords and Plugs

The AC power connectors on the chassis PEM use an IEC 320 C20 socket. Each chassis power supply has a separate power cord. The power cord that you use to connect the power supply units to an AC power source will have an IEC 320 C19 plug on one end and on the other end one that conforms to the AC power outlet specifications for your country. See the following table to determine which cord to order for your chassis power supply units. When you determine which power cord you need to order, you can verify that its plugs conform to the power outlets for your facility by clicking on its reference link.

The jumper power cords, for use in racks, are available as an optional alternative to the standard power cords. The optional jumper power cords have an IEC C19 connector (such as a Cisco RP Series PEM) on the end

that plugs into the chassis' PEM and an IEC C20 connector on the end that plugs into an IEC C19 outlet receptacle. For more information, contact your Cisco Systems representative.



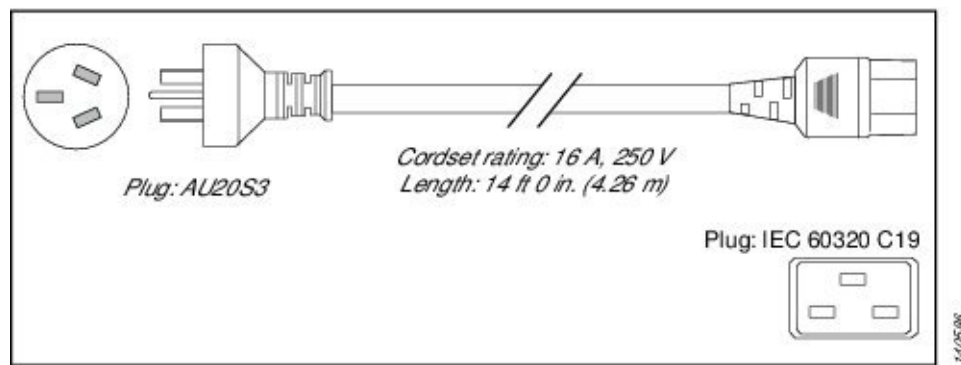
Note Only the regular power cords or jumper power cords provided with the chassis are supported.

Australia and New Zealand

Power Cord Part Number—CAB-AC-16A-AUS

Cord Set Rating—16A, 250 VAC

Figure 70: CAB-AC-16A-AUS Power Cord for the Cisco UCS X9508 Chassis

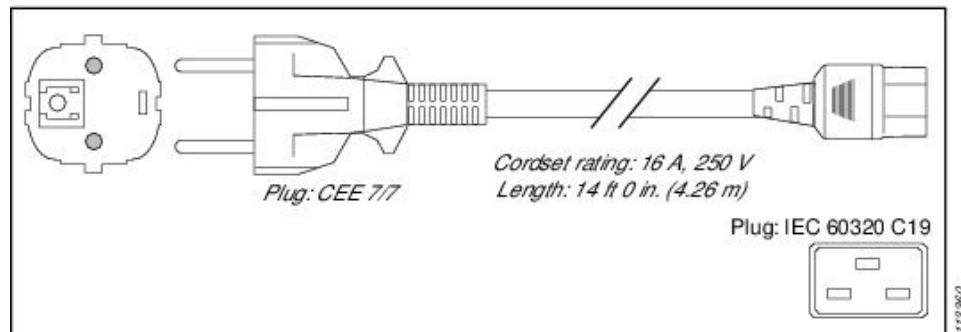


Continental Europe

Power Cord Part Number—CAB-AC-2800W-EU

Cord Set Rating—16A, 250 VAC

Figure 71: CAB-AC-2800W-EU Power Cord for the UCS X9508 Chassis

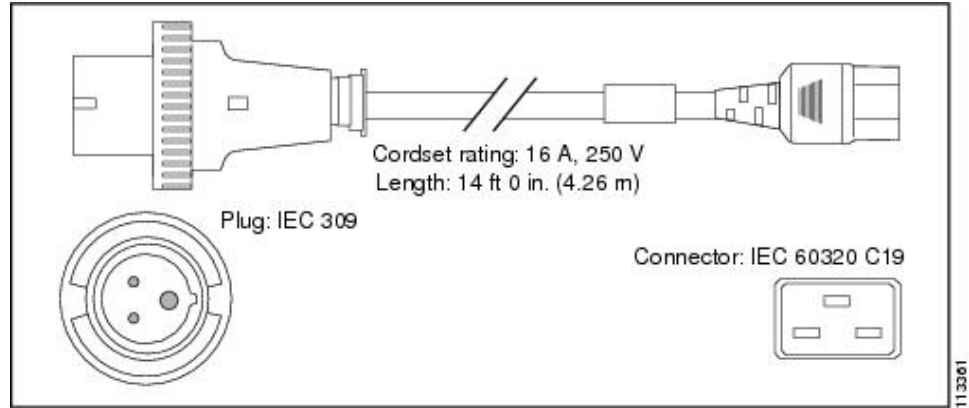


International

Power Cord Part Number—CAB-AC-2800W-INT

Cord Set Rating—16A, 250 VAC

Figure 72: CAB-AC-2800W-INT Power Cord for the UCS X9508 Chassis

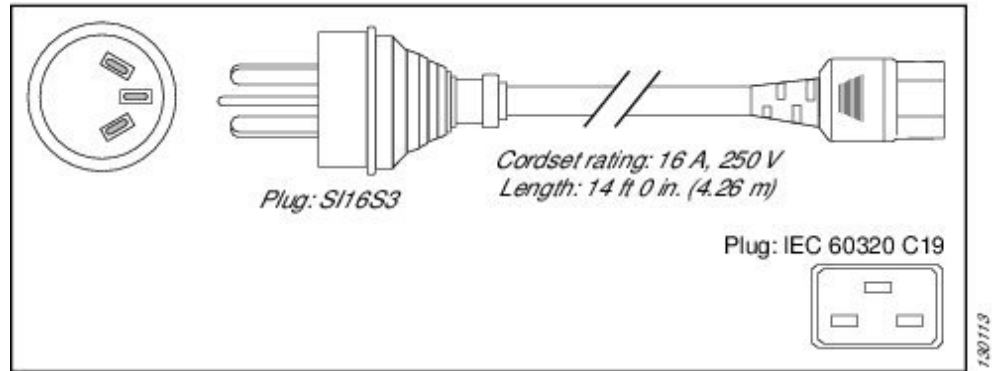


Israel

Power Cord Part Number—CAB-AC-2800W-ISRL

Cord Set Rating—16A, 250 VAC

Figure 73: CAB-AC-2800W-ISRL Power Cord for the UCS X9508 Chassis



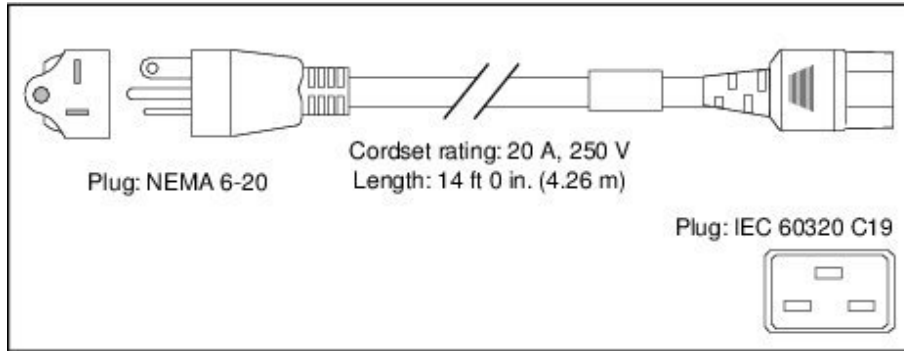
Japan and North America

Non-Locking 200 to 240 VAC operation

Power Cord Part Number—CAB-AC-2800W-US1

Cord Set Rating—16A, 250 VAC

Figure 74: CAB-AC-2800W-US1 Power Cord for the UCS X9508 Chassis



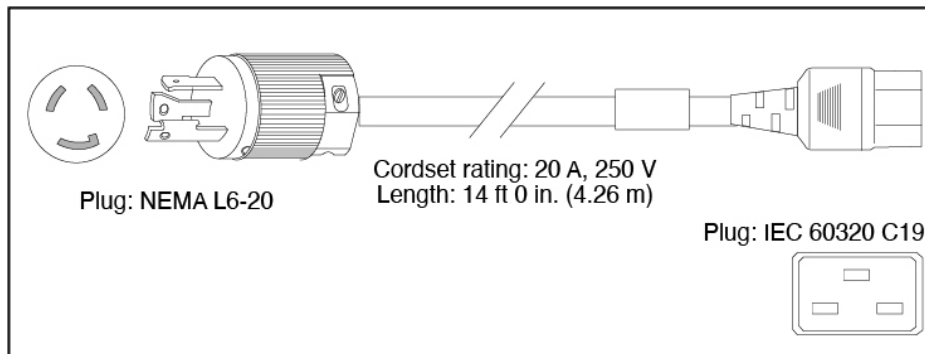
113362

Locking 200 to 240 VAC Operation

Power Cord Part Number—CAB-AC-C6K-TWLK

Cord Set Rating—16A, 250 VAC

Figure 75: CAB-AC-C6K-TWLK Power Cord for the UCS X9508 Chassis



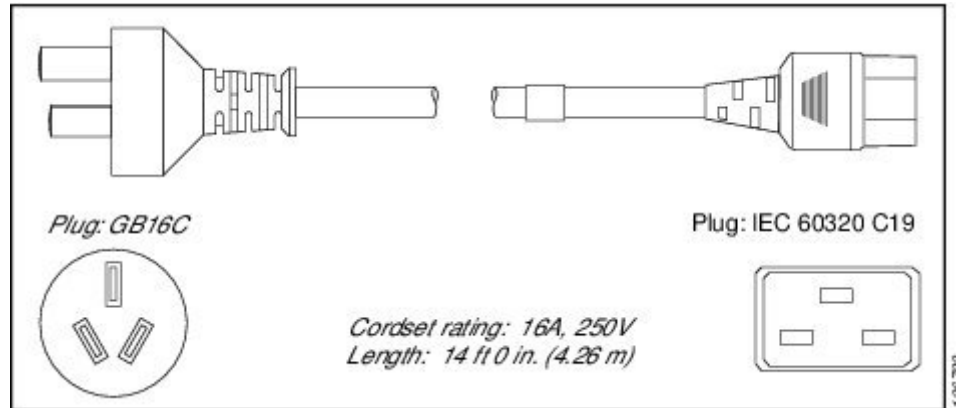
309544

Peoples Republic of China

Power Cord Part Number—CAB-AC-16A-CH

Cord Set Rating—16A, 250 VAC

Figure 76: CAB-AC-16A-CH Power Cord for the Cisco UCSX X9508 Chassis



Taiwan

Power Cord—CAB-AC-C19-TW

Plug—250 VAC 16 A, C19

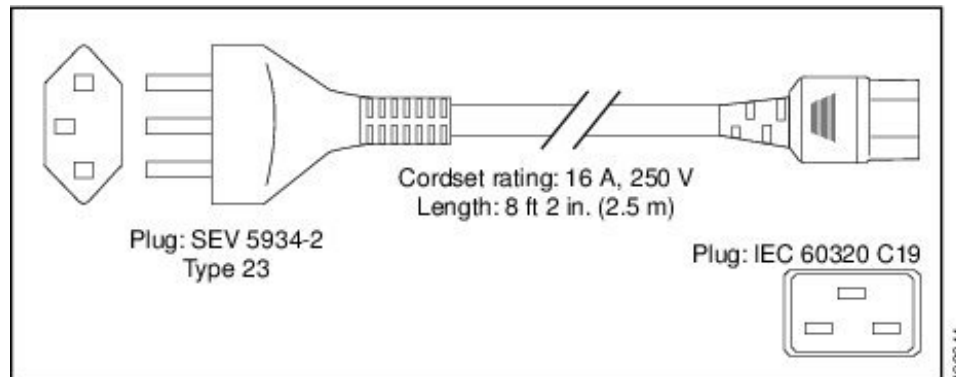
Length—7.5 feet / 2.3 meters

Switzerland

Power Cord Part Number—CAB-ACS-16

Cord Set Rating—16A, 250 VAC

Figure 77: CAB-ACS-16 Power Cord for the UCS X9508 Chassis





APPENDIX **B**

Intelligent Fabric Module (IFM), X-Fabric Module, and Active Fan Module Field Replaceable Unit Instructions

This appendix contains the following topics:

- [Cisco UCS 9108 25G IFM Field Replaceable Unit Replacement Instructions, on page 163](#)
- [Cisco UCS 9108 100G IFM Field Replaceable Unit Replacement Instructions, on page 164](#)
- [Cisco UCS 9508 Active Fan Module \(AFM\) Field Replaceable Unit Replacement Instructions, on page 164](#)
- [Cisco UCS X9416 X-Fabric Module Field Replaceable Unit Replacement Instructions, on page 165](#)

Cisco UCS 9108 25G IFM Field Replaceable Unit Replacement Instructions

The rear of the Cisco UCS X9508 can contain a pair of UCS 9108 Intelligent Fabric Modules (IFMs), which come in either 25G or 100G speeds.

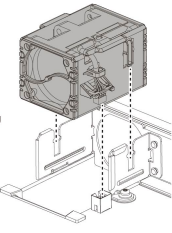
Refer to the following illustration for information about field-replacement options on the UCS 9108 25G IFM (UCSX-I-9108-25G).

Figure 78: Cisco UCS 9108 25G IFMs (UCSX-I-9108-25G) Replacement Instructions

Cisco UCS 9108 25G IFM Field Replaceable Unit Instructions
Replaceable Unit Identification M.2 M.2 Ca rd Fan Front Panel Icons System Status Fan Status IFM

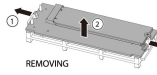
Replacing a Fan Module

1. Remove fan by pulling on tabs on fan side walls
2. Align connector on replacement fan with connector on board
3. Align guides on fan side walls with cutouts on system cage
4. Push down on fan, ensuring it clicks into place



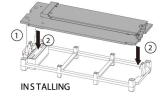
Removing/Installing Mini Storage Module

1. Pull out the holder clips to disengage the module.
2. Pull up on the storage module to remove it.

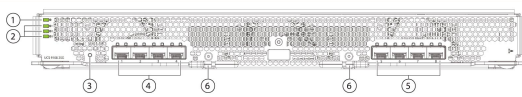


REMOVING

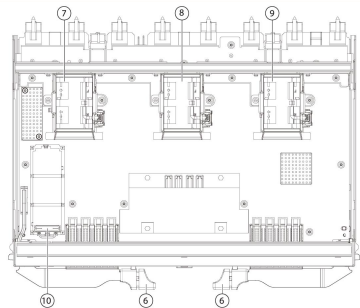
1. Align the two holes on the module with the holder pins.
2. Push the module into the holder on both ends, making sure the holder clips snap in.



INSTALLING



- 1 Status LED
- 2 Fan 1-3 Status LED
- 3 Reset Button
- 4 SFP28 Ports 1-4
- 5 SFP28 Ports 5-8
- 6 Ejector Handle
- 7 Fan 1
- 8 Fan 2
- 9 Fan 3
- 10 Mini Storage Connector



Caution: This equipment may be ESD sensitive. Always use an ESD ankle or wrist strap before handling equipment.

473982

Cisco UCS X9508 Server Chassis Installation Guide

163

Cisco UCS 9108 100G IFM Field Replaceable Unit Replacement Instructions

The rear of the Cisco UCS X9508 contains a pair of UCS 9108 Intelligent Fabric Modules (IFMs), which come in either 25Gbps or 100Gbps speeds.

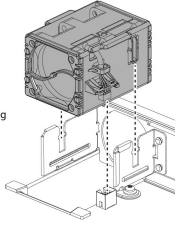
Refer to the following illustration for information about field-replacement options on the UCS 9108 100G IFM (UCSX-I-9108-100G).

Figure 79: Cisco UCS 9108 100G IFMs (UCSX-I-9108-100G) Replacement Instructions

Cisco UCS 9108 100G IFM Field Replaceable Unit Instructions
Replaceable Unit Identification M.2 M.2 Card Fan Front Panel Icons System Status Fan Status IFM

Replacing a Fan Module

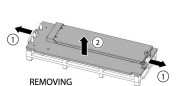
1. Remove fan by pulling on tabs on fan side walls
2. Align connector on replacement fan with connector on board
3. Align guides on fan side walls with cutouts on system cage
4. Push down on fan, ensuring it clicks into place



Removing/Installing Mini Storage Module

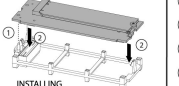
REMOVING

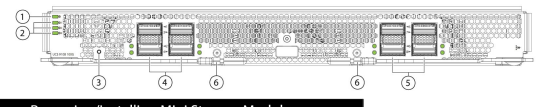
1. Pull out the holder clips to disengage the module.
2. Pull up on the storage module to remove it.



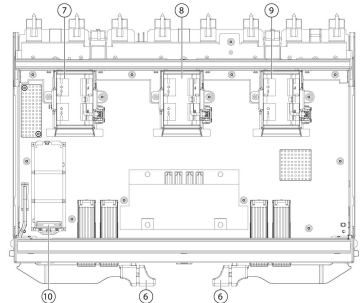
INSTALLING

1. Align the two holes on the module with the holder pins.
2. Push the module into the holder on both ends, making sure the holder clips snap in.





- ① Status LED
- ② Fan 1-3 Status LED
- ③ Reset Button
- ④ QSFP28 Ports 1-4
- ⑤ QSFP28 Ports 5-8
- ⑥ Ejector Handle
- ⑦ Fan 1
- ⑧ Fan 2
- ⑨ Fan 3
- ⑩ Mini Storage Connector



Caution: This equipment may be ESD sensitive. Always use an ESD ankle or wrist strap before handling equipment

473981

Cisco UCS 9508 Active Fan Module (AFM) Field Replaceable Unit Replacement Instructions

The rear of the Cisco UCS X9508 chassis can contain a rear blank (UCSX-9508-RBLK) that is an active fan module.

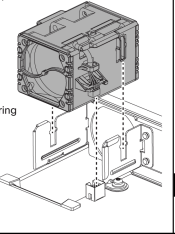
Refer to the relevant section below for the specific AFM installed in your system.

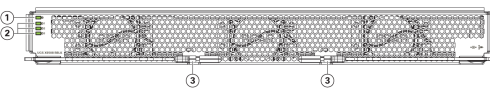
Figure 80: Cisco UCS 9508 Rear Blank (UCSX-9508-RBLK) Replacement Instructions

Cisco UCS 9508 Rear Blank Field Replaceable Unit Instructions
Replaceable Unit Identification Fan Front Panel Icons System Status Fan Status IFM FEM

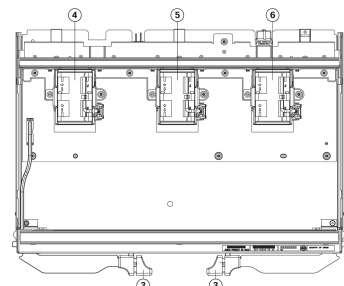
Replacing a Fan Module

1. Remove fan by pulling on tabs on fan side walls
2. Align connector on replacement fan with connector on board
3. Align guides on fan side walls with cutouts on system cage
4. Push down on fan, ensuring it clicks into place





- ① Status LED
- ② Fan 1-3 Status LED
- ③ Ejector Handle
- ④ Fan 1
- ⑤ Fan 2
- ⑥ Fan 3



Important

⚠ Cisco UCS 9508 Rear Blank must always be installed in all non-populated slots in rear of chassis

Caution: This equipment may be ESD sensitive. Always use an ESD ankle or wrist strap before handling equipment

476034

Cisco UCS X9416 X-Fabric Module Field Replaceable Unit Replacement Instructions

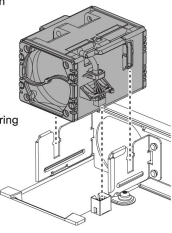
Refer to the following illustration for field-replacement instructions for the Cisco UCS X9416 X-Fabric Module (XFM).

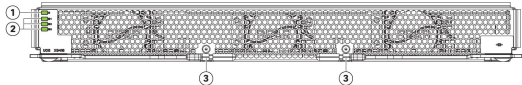
Figure 81: Cisco UCS X9416 X-Fabric Module (UCSX-F-9416) Field Replacement Instructions

Cisco UCS X9416 XFM Field Replaceable Unit Instructions
Replaceable Unit Identification Fan
Front Panel Icons System Status Fan Status XFM

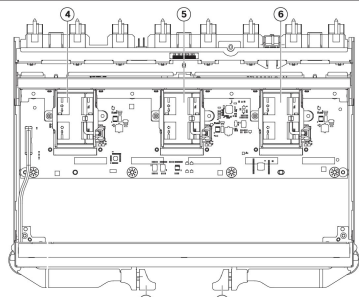
Replacing a Fan Module

1. Remove fan by pulling on tabs on fan side walls
2. Align connector on replacement fan with connector on board
3. Align guides on fan side walls with cutouts on system cage
4. Push down on fan, ensuring it clicks into place





- ① Status LED
- ② Fan 1-3 Status LED
- ③ Ejector Handle
- ④ Fan 1
- ⑤ Fan 2
- ⑥ Fan 3



Caution: This equipment may be ESD sensitive. Always use an ESD ankle or wrist strap before handling equipment

476033



APPENDIX **C**

Site Planning and Maintenance Records



Note For information about how to query the chassis for configuration information, see the *Cisco UCS Configuration Guide*.

This appendix includes the following records to use when installing the Cisco UCS X9508 server chassis:

- [Site Preparation Checklist, on page 167](#)
- [Contact and Site Information, on page 169](#)
- [Chassis and Module Information, on page 169](#)
- [FEX Port Connection Record, on page 170](#)
- [UCS 6548 Fabric Interconnect Port Connection Record, on page 171](#)

Site Preparation Checklist

Planning the location and layout of your equipment is essential for successful network operation, ventilation, and accessibility. Consider heat dissipation when sizing the air-conditioning requirements for an installation.

Table 10: Site Planning Checklist

Task No.	Planning Activity	Verified By	Time	Date
1	Space evaluation: <ul style="list-style-type: none">• Space and layout• Floor covering• Impact and vibration• Lighting• Maintenance access			

Task No.	Planning Activity	Verified By	Time	Date
2	Environmental evaluation: <ul style="list-style-type: none"> • Ambient temperature • Humidity • Altitude • Atmospheric contamination • Air flow 			
3	Power evaluation: <ul style="list-style-type: none"> • Input power type • Power receptacles • Receptacle proximity to the equipment • Dedicated circuit for power supply • Dedicated (separate) circuits for redundant power supplies • UPS for power failures 			
4	Grounding evaluation: <ul style="list-style-type: none"> • Circuit breaker size • CO ground (AC- powered systems) 			
5	Cable and interface equipment evaluation: <ul style="list-style-type: none"> • Cable type • Connector type • Cable distance limitations • Interface equipment (transceivers) 			
6	EMI evaluation: <ul style="list-style-type: none"> • Distance limitations for signaling • Site wiring • RFI levels 			

² Verify that the power supply installed in the chassis has a dedicated AC source circuit.

³ UPS: uninterruptible power supply.

⁴ EMI: electromagnetic interference.

⁵ RFI: radio frequency interference.

Contact and Site Information

Use the following worksheet to record contact and site information.

Table 11: Contact and Site Information

Contact person	
Contact phone	
Contact e-mail	
Building/site name	
Data center location	
Floor location	
Address (line 1)	
Address (line 2)	
City	
State	
Zip code	
Country	

Chassis and Module Information

Use the following worksheets to record information about the server chassis and the modules it contains.

Contract Number _____

Chassis Serial Number _____

Product Number _____

Table 12: Device Information

Device	Serial Number	Notes
Compute Node-1		
Compute Node-2		
Compute Node-3		
Compute Node-4		
Compute Node-5		

Device	Serial Number	Notes
Compute Node-6		
Compute Node-7		
Compute Node-8		
Intelligent Fabric Module-1		
Intelligent Fabric Module-2		



Note The serial numbers of all server chassis modules can be obtained using the Intersight management interface.

FEX Port Connection Record

Table 13: Chassis FEX to Fabric Interconnect Port Connection Record

FEX		Connected to			
Number	Port	Fabric Interconnect A or B	Slot	Port	Connection notes
1	1				
	2				
	3				
	4				
	5				
	6				
	7				
	8				

FEX		Connected to			
Number	Port	Fabric Interconnect A or B	Slot	Port	Connection notes
2	1				
	2				
	3				
	4				
	5				
	6				
	7				
	8				

UCS 6548 Fabric Interconnect Port Connection Record

Table 14: Port Connection Record

Fabric Interconnect		Connected to		
Number	Port	Slot	Port	Connection notes
1	1			
	2			
	3			
	4			
	5			
	6			
	7			
	8			

Fabric Interconnect		Connected to		
Number	Port	Slot	Port	Connection notes
2	1			
	2			
	3			
	4			
	5			
	6			
	7			
	8			



INDEX

A

- air flow [110](#)
- attaching, cable management trays [72](#)

B

- bottom cable management, installing [55](#)

C

- cable management tray, installing [73](#)
- cable management tray, removing [75](#)
- cable management, trays, attaching [72](#)
- cage nuts, installing [38](#)
- cage nuts, installing, round-hole rack [39](#)
- chassis [6](#)
 - Cisco UCS X9508 server chassis [6](#)
- chassis installation [23, 43](#)
- chassis installation, completing [67](#)
- chassis installation, round-hole rack [60](#)
- chassis installation, square-hole rack [56](#)
- chassis LED locations [16](#)
- chassis LEDs [16](#)
- chassis PCB Assembly (PCBA), recycling [124](#)
- chassis removal [77](#)
- chassis repacking [77](#)
- chassis specifications [154](#)
- chassis, inspection [31](#)
- chassis, unpacking [31](#)
- Cisco UCS 9108 intelligent fabric module [7–8](#)
- Cisco UCS chassis power configuration [14](#)
- Cisco UCS Chassis Power Supplies [13](#)
- Cisco UCS Chassis Power Supply buttons [14](#)
- Cisco UCS Chassis Power supply connectors [14](#)
- Cisco UCS Chassis Power supply LEDs [13](#)
- compute node [92](#)
 - installing and removing [92](#)
- compute node blank, installing [90](#)
- compute node blank, removing [89](#)
- compute node, Cisco UCS X210c M6 [6](#)
- compute node, installing [92](#)
- compute node, removing [94](#)
- compute nodes, general [6](#)
- connecting earth ground [70](#)

- connecting earth ground, side [68](#)

E

- earth ground options [68](#)
- earth ground, connecting [68, 70](#)

F

- fan module, replacing [110](#)
- fan modules [12](#)
- Features and Benefits [4](#)

G

- ground lug, installing [55](#)
- grounding options [68](#)

H

- height [154](#)

I

- IFM (UCS 9108 100G), recycling [135](#)
- IFM (UCS 9108 25G), recycling [128](#)
- installation [24–25, 29–31](#)
 - airflow considerations [25](#)
 - guidelines [30](#)
 - moving server chassis [29](#)
 - rack requirements [24](#)
 - required equipment [31](#)
 - shipping container [31](#)
 - unpacking and inspection [31](#)
- installation, completing [67](#)
- installation, rack rails, round-hole rack [46](#)
- installation, rack rails, square-hole rack [43](#)
- installing bottom cable management [55](#)
- installing cage nuts [38](#)
- installing cage nuts, round-hole rack [39](#)
- installing chassis [43](#)
- installing chassis, round-hole rack [60](#)
- installing chassis, square-hole rack [56](#)
- installing ground lug [55](#)

- installing Power Entry Modules [105](#)
- installing spring nuts, round-hole rack [39](#)
- installing the chassis [23, 79](#)
- installing, cable management tray [73](#)
- installing, compute node [92](#)
- installing, compute node blank [90](#)
- installing, Intelligent Fabric Module (IFM) [116](#)
- installing, power supply blank [101](#)
- installing, PSU keying bracket [103](#)
- installing, rear module's fan [114](#)
- installing, top cable management [53](#)
- installing, X-Fabric Module [121](#)
- installing, X-Fabric Module blank [123](#)
- Intelligent Fabric Module (IFM), installing [116](#)
- Intelligent Fabric Module (IFM), removing [117](#)
- intelligent fabric module, Cisco UCS 9108 [7–8](#)

L

- LED [21](#)
 - compute node health [21](#)
- LEDs [16](#)

M

- mounting brackets (rear), installing, round-hole rack [65](#)
- mounting brackets (rear), installing, square-hole rack [63](#)

O

- overview, system [1](#)

P

- power configuration [14–16](#)
 - grid redundancy [16](#)
 - n+1 redundancy [15](#)
 - n+2 redundancy [15](#)
 - non-redundant [14](#)
- power entry modules, installing [105](#)
- power entry modules, removing [107](#)
- power supply [157](#)
 - AC-input current [157](#)
 - maximum power for each power supply [157](#)
 - power supply output voltage [157](#)
- power supply blank, installing [101](#)
- power supply blank, removing [99](#)
- PSU keying bracket, installing [103](#)
- PSU keying bracket, removing [102](#)

R

- rack layout, round-hole rack [51](#)
- rack layout, square-hole rack [49](#)
- rack rails [40](#)

- rail kit [40](#)
- rails, installing, round-hole rack [46](#)
- rails, installing, square-hole rack [43](#)
- rear module fan, installing [114](#)
- rear module fan, removing [115](#)
- rear mounting brackets, installing, round-hole rack [65](#)
- rear mounting brackets, installing, square-hole rack [63](#)
- recycling, chassis PCB Assembly (PCBA) [124](#)
- recycling, UCS 100G IFM PCB [135](#)
- recycling, UCS 25G IFM PCB [128](#)
- recycling, X-Fabric Module Blank PCBs [148](#)
- recycling, X-Fabric Module PCBs [142](#)
- removing [98, 112](#)
 - fan module [112](#)
 - power supply [98](#)
- removing power supply blank [99](#)
- removing PSU keying bracket [102](#)
- removing, cable management tray [75](#)
- removing, chassis [77](#)
- removing, compute node [94](#)
- removing, compute node blank [89](#)
- removing, Intelligent Fabric Module (IFM) [117](#)
- removing, power entry modules [107](#)
- removing, rear module's fan [115](#)
- removing, X-Fabric Module [120](#)
- removing, X-Fabric Module blank [123](#)
- repacking, chassis [77](#)
- replacing fan module [110](#)
- round-hole rack, chassis installation [60](#)

S

- serial numbers [169](#)
- SFP+ [156](#)
 - module supply voltage [156](#)
- side-mount ground, connecting [68](#)
- site planning [167, 169](#)
 - checklist [167](#)
 - information [169](#)
- spring nuts, installing, round-hole rack [39](#)
- square-hole rack, chassis installation [56](#)
- system overview [1](#)

T

- technical specifications [153](#)
 - chassis dimensions [153](#)
- top cable management, installing [53](#)

U

- UCS 100G IFM PCB, recycling [135](#)
- UCS 25G IFM PCB, recycling [128](#)
- UCS X210c M6 compute node [6](#)

W

weight [154](#)
 chassis fully populated [154](#)
width [154](#)

X

X-Fabric Module Blank PCBs, recycling [148](#)
X-Fabric Module blank, installing [123](#)
X-Fabric Module PCBs, recycling [142](#)
X-Fabric Module, installing [121](#)
X-Fabric Module, removing [120](#)
X-Fabric Module blank, removing [123](#)

