



## Cable and Port Specifications

---

- [Accessory Kit for the Cisco UCS Fabric Interconnect, on page 1](#)
- [Console Cable, on page 2](#)
- [Console Port, on page 2](#)
- [Supported AC Power Cords and Plugs, on page 3](#)

## Accessory Kit for the Cisco UCS Fabric Interconnect

The Cisco UCS Fabric Interconnect accessory kit includes the following items:

- 2 slider rails
- 2 rear rack-mount guides
- 2 front rack-mount brackets
- 12 M4 x 0.7 x 8-mm Phillips countersunk screws
- 10 10-32 rack nuts
- 10 10-32 x 3/4-inch Phillips pan-head screws
- 1 RS-232 console cable with an RJ-45 adapter and a DB9 adapter
- 1 ground-lug kit
- 1 ESD wrist strap
- 1 power cord clip (a wire clip that is used to retain the power cord)
- 1 pointer document (specifies where to find the online product documentation)



---

**Note** Additional parts can be ordered from your customer service representative.

---

# Console Cable

The console cable has an RJ-45 connector on one end and a DB9 connector on the other; this cable is used to connect into the RS-232 console connection on a laptop.

## Console Cable

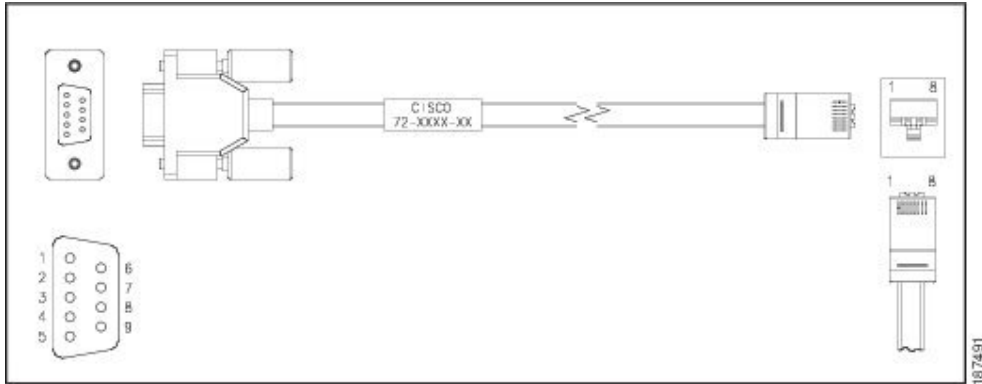


Table 1: Console Cable Connector Pinouts

Signal Name	P1, P1-45 Pins	P2, DB-9 Pins	Signal Name
RTS	1	8	CTS
DTR	2	6	DSR
TXD	3	2	ZXD
GND	4	5	GND
GND	5	5	GND
ZXD	6	3	TXD
DSR	7	4	DTR
CTS	8	7	RTS

# Console Port

The console port is an asynchronous RS-232 serial port with an RJ-45 connector.

The table below lists the pinouts for the console port on the Cisco UCS 6454 Fabric Interconnect.

**Table 2: Console Port Pinouts**

Pin	Signal
1	RTS
2	DTR
3	TxD
4	GND
5	GND
6	RxD
7	DSR
8	CTS

Depending on the laptop you use for the initial configuration, you may also want a USB 2.0 to Serial (9-pin) DB-9 RS-232 Adapter Cable as well as a terminal program like Hyperterminal or PuTTY (set to connect at 9600 baud, 8 data bits, 1 stop bit, no parity).

## Supported AC Power Cords and Plugs

Each power supply has a separate power cord. Standard power cords or jumper power cords are available for connection to a power distribution unit having IEC 60320 C13 outlet receptacles. The jumper power cords, for use in cabinets, are available as an optional alternative to the standard power cords.

The standard power cords have an IEC C13 connector on the end that plugs into the power supplies. The optional jumper power cords have an IEC C13 connector on the end that plugs into the power supplies, and an IEC C14 connector on the end that plugs into an IEC C13 outlet receptacle.




---

**Note** Only the regular power cords or jumper power cords provided with the chassis are supported.

---

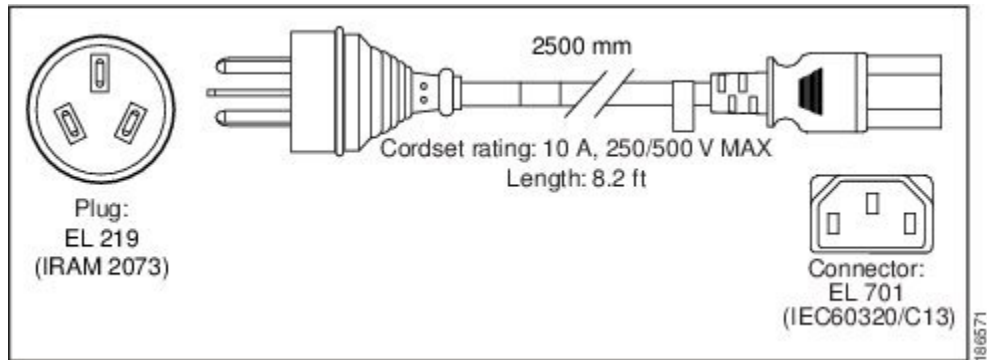
### Argentina

Power Cord—SFS-250V-10A-AR

Plug—250 VAC 10 A IRAM 2073

Length—8.2 feet / 2.5 meters

Figure 1: SFS-250V-10A-AR



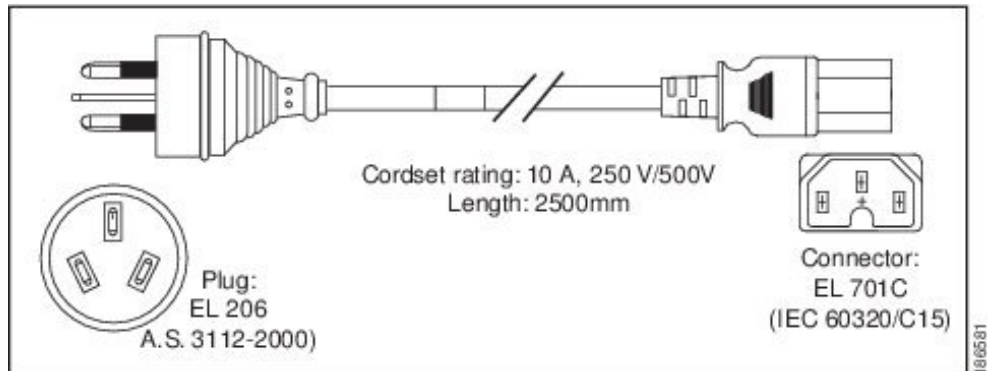
## Australia and New Zealand

Power Cord—CAB-9K10A-AU

Plug—250 VAC 10 A 3112

Length—8.2 feet / 2.5 meters

Figure 2: CAB-9K10A-AU



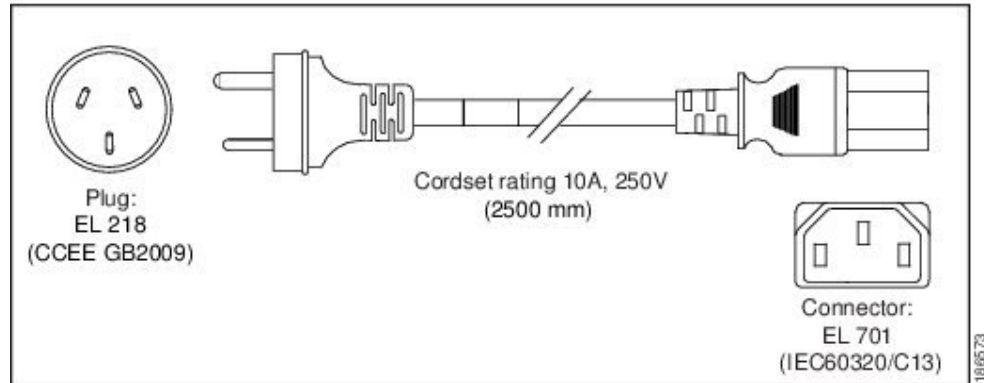
## Peoples Republic of China

Power Cord—SFS-250V-10A-CN

Plug—250 VAC 10 A GB 2009

Length—8.2 feet / 2.5 meters

Figure 3: SFS-250V-10A-CN



186573

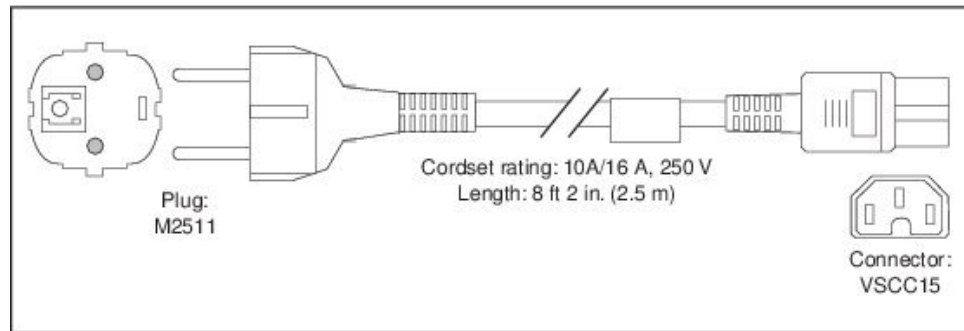
## Europe

Power Cord—CAB-9K10A-EU

Plug—250 VAC 10 A M 2511

Length—8.2 feet / 2.5 meters

Figure 4: CAB-9K10A-EU



186576

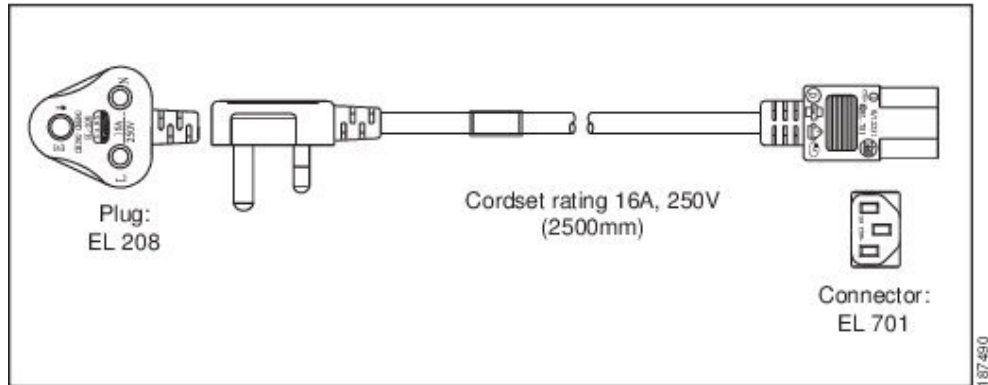
## India, South Africa, and United Arab Emirates

Power Cord—SFS-250V-10A-ID

Plug—250 VAC 16A EL-208

Length—8.2 feet / 2.5 meters

Figure 5: SFS-250V-10A-ID



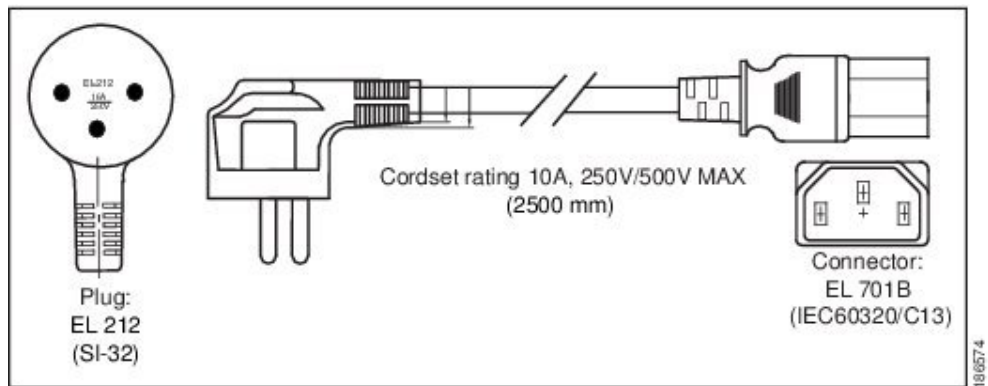
## Israel

Power Cord—SFS-250V-10A-IS

Plug—250 VAC 10 A SI32

Length—8.2 feet / 2.5 meters

Figure 6: SFS-250V-10A-IS



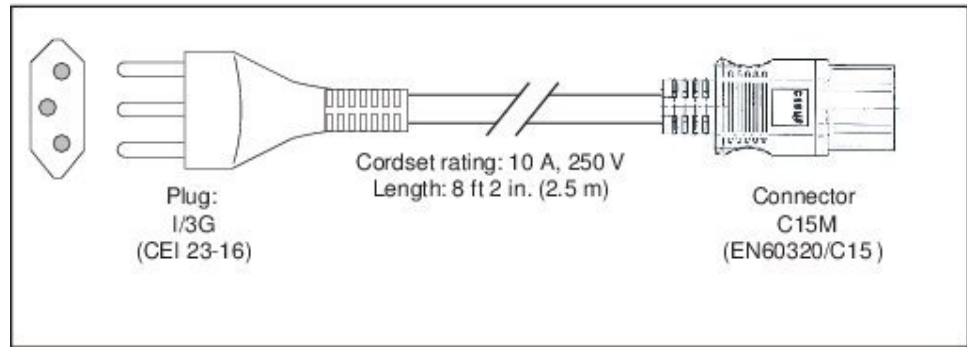
## Italy

Power Cord—CAB-9K10A-IT

Plug—250 VAC 10 A CEI 23-16

Length—8.2 feet / 2.5 meters

Figure 7: CAB-9K10A-IT



## North America

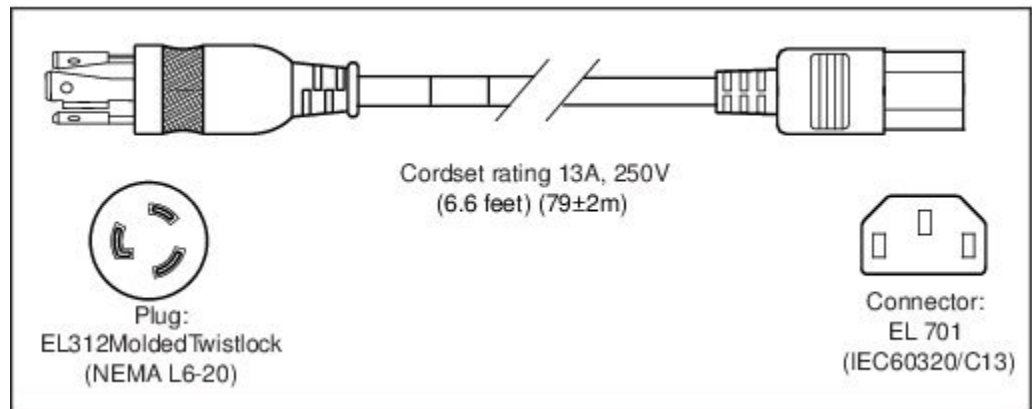
### CAB-AC-250V/13A

Power Cord—CAB-AC-250V/13A

Plug—250 VAC 13 A IEC60320

Length—6.6 feet / 2.0 meters

Figure 8: CAB-AC-250V/13A



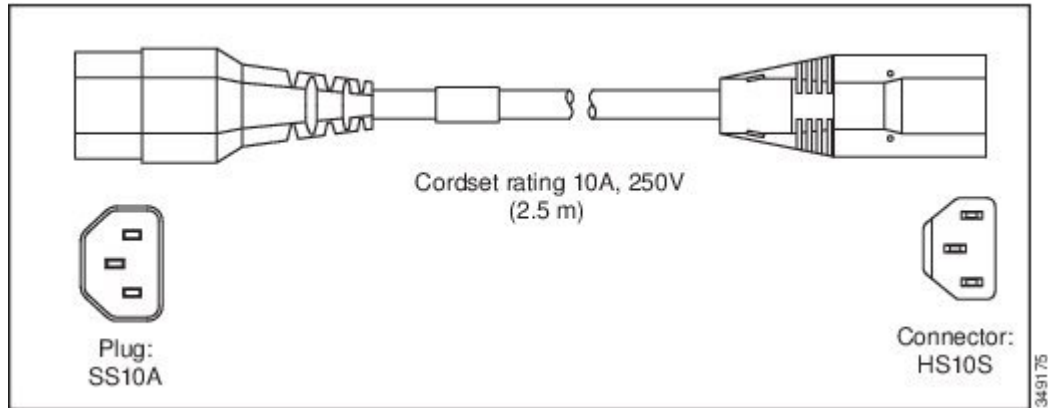
### CAB-N5K6A-NA

Power Cord—CAB-N5K6A-NA

Plug—250 VAC 13 A NEMA 6-15

Length—8.2 feet / 2.5 meters

Figure 9: CAB-N5K6A-NA



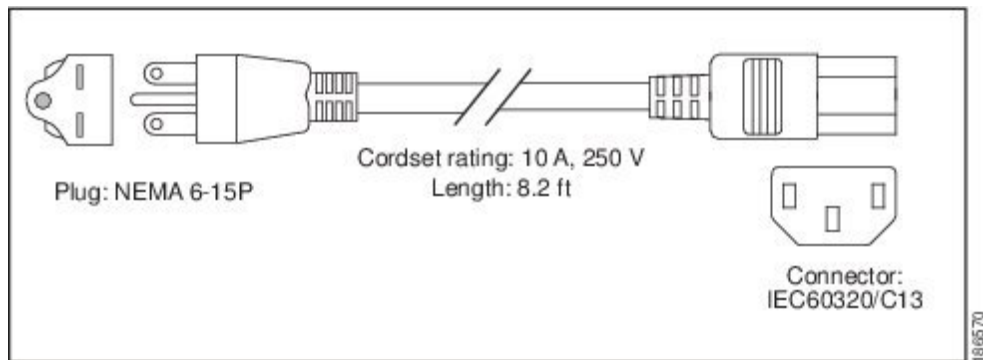
## Switzerland

Power Cord—CAB-9K10A-SW

Plug—250 VAC 10 A MP232

Length—8.2 feet / 2.5 meters

Figure 10: CAB-9K10A-SW



## Taiwan

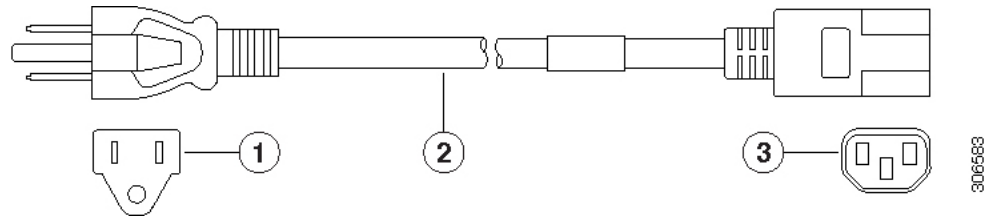
Power Cord—CAB-ACTW

Plug—125 VAC, 10 A, CNS10917

Length—7.5 feet / 2.3 meters



Figure 11: CAB-ACTW



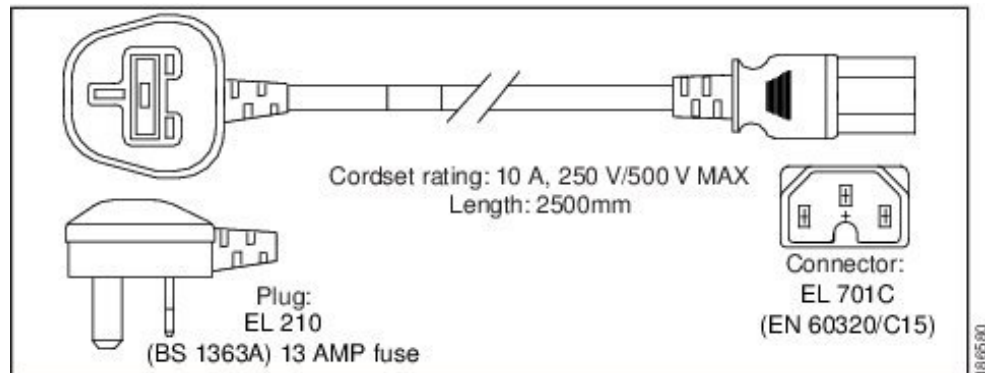
## United Kingdom

Power Cord—CAB-9K10A-UK

Plug—250 VAC 10 A BS1363 (13 A fuse)

Length—8.2 feet / 2.5 meters

Figure 12: CAB-9K10A-UK



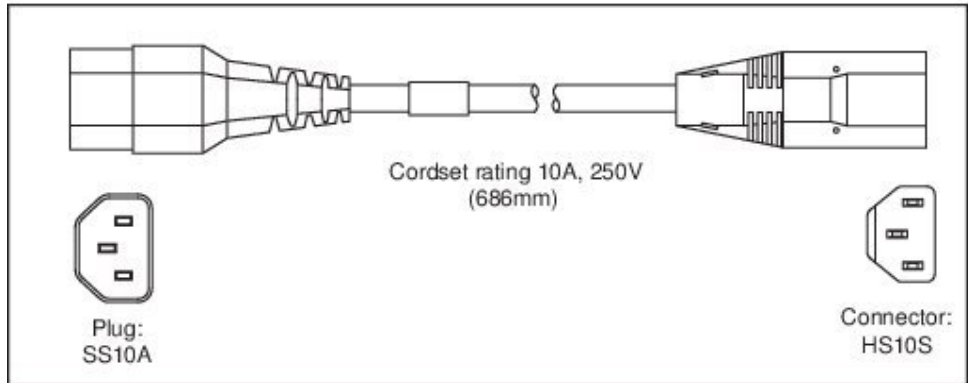
## Cabinet Jumper Power Cords

Jumper Power Cord—CAB-C13-C14-JMPR

Plug—250 VAC 10 A, C13-C14 Connectors

Length—2.2 feet / 0.7 meters

**Figure 13: CAB-C13-C14-JMPR**

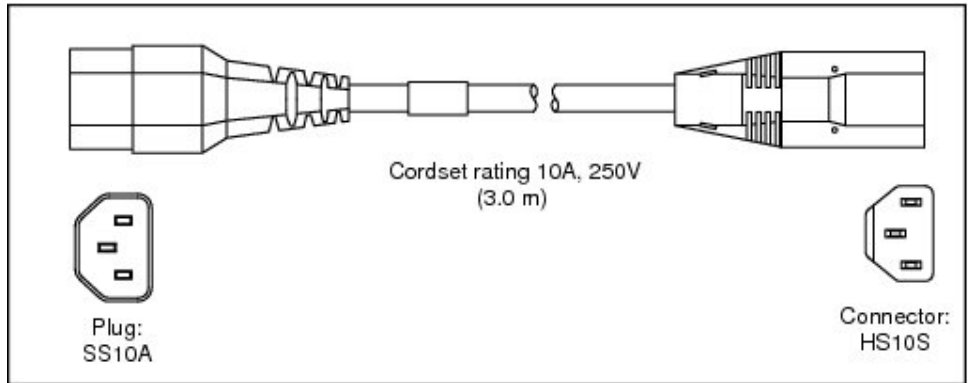


Jumper Power Cord—CAB-C13-C14-AC

Plug— 250 VAC 10 A, C13-C14 Connectors

Length—9.8 feet / 3 meters

**Figure 14: CAB-C13-C14-AC**



Jumper Power Cord—CAB-C13-C14-2M

Plug— 250 VAC 10 A, C13-C14 Connectors

Length—6.6 feet / 2 meters

Figure 15: CAB-C13-C14-2M

