



Configuring Flex Links

This chapter describes how to configure Flex Links in Cisco IOS Release 12.2SX.



Note

For complete syntax and usage information for the commands used in this chapter, see the Cisco IOS Master Command List, at this URL:

http://www.cisco.com/en/US/docs/ios/mcl/allreleasemcl/all_book.html



Tip

For additional information about Cisco Catalyst 6500 Series Switches (including configuration examples and troubleshooting information), see the documents listed on this page:

http://www.cisco.com/en/US/products/hw/switches/ps708/tsd_products_support_series_home.html

[Participate in the Technical Documentation Ideas forum](#)

The chapter consists of these sections:

- [Understanding Flex Links, page 18-1](#)
- [Configuring Flex Links, page 18-3](#)
- [Monitoring Flex Links, page 18-5](#)

Understanding Flex Links

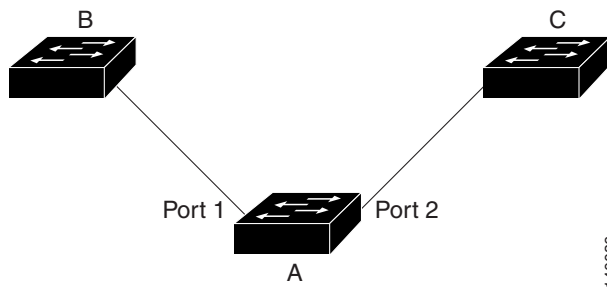
Flex Links are a pair of a Layer 2 interfaces (ports or port channels), where one interface is configured to act as a backup to the other. Flex Links are typically configured in service-provider or enterprise networks where customers do not want to run STP. Flex Links provide link-level redundancy that is an alternative to Spanning Tree Protocol (STP). STP is automatically disabled on Flex Links interfaces.

Release 12.2SX supports a maximum of 16 Flex Links. Flex Links are supported only on Layer 2 ports and port channels, not on VLANs or on Layer 3 ports.

To configure the Flex Links feature, you configure one Layer 2 interface as the standby link for the link that you want to be primary. With Flex Links configured for a pair of interfaces, only one of the interfaces is in the linkup state and is forwarding traffic. If the primary link shuts down, the standby link starts forwarding traffic. When the inactive link comes back up, it goes into standby mode.

In [Figure 18-1](#), ports 1 and 2 on switch A are connected to uplink switches B and C. Because they are configured as Flex Links, only one of the interfaces is forwarding traffic and the other one is in standby mode. If port 1 is the active link, it begins forwarding traffic between port 1 and switch B; the link between port 2 (the backup link) and switch C is not forwarding traffic. If port 1 goes down, port 2 comes up and starts forwarding traffic to switch C. When port 1 comes back up, it goes into standby mode and does not forward traffic; port 2 continues to forward traffic.

Figure 18-1 Flex Links Configuration Example



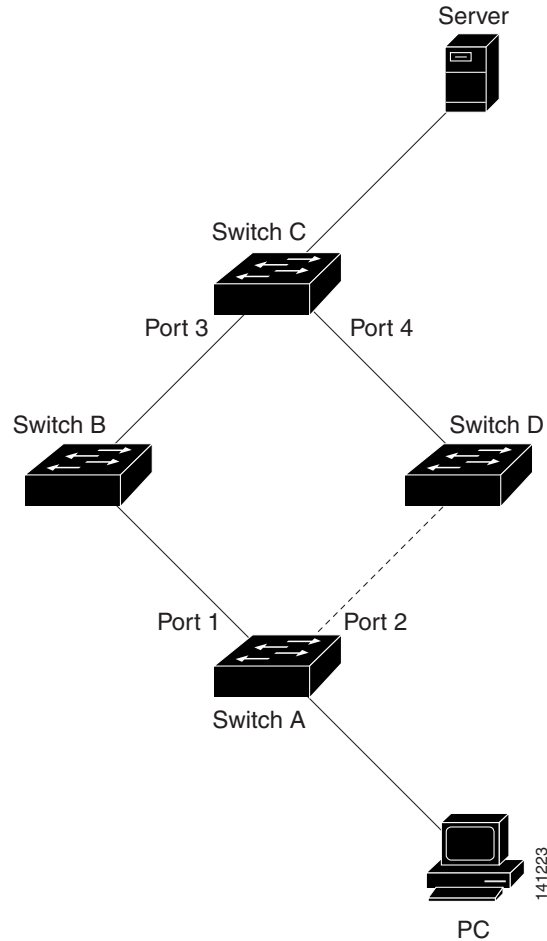
If a primary (forwarding) link goes down, a trap notifies the network management stations. If the standby link goes down, a trap notifies the users. When a primary link fails, the feature takes these actions:

- Detects the failure.
- Moves any dynamic unicast MAC addresses that are learned on the primary link to the standby link.
- Moves the standby link to a forwarding state.
- Transmits dummy multicast packets over the new active interface. The dummy multicast packet format is:
 - Destination: 01:00:0c:cd:cd:cd
 - Source: MAC address of the hosts or ports on the newly active Flex Link port.

In [Figure 18-2](#), ports 1 and 2 on switch A are connected to switches B and D through a Flex Link pair. Port 1 is forwarding traffic, and port 2 is in the blocking state. Traffic from the PC to the server is forwarded from port 1 to port 3. The MAC address of the PC has been learned on port 3 of switch C. Traffic from the server to the PC is forwarded from port 3 to port 1.

If port 1 shuts down, port 2 starts forwarding traffic. If there is no traffic from the PC to the server after failover to port 2, switch C does not learn the MAC address of the PC on port 4, and because of that, switch C keeps forwarding traffic from the server to the PC out of port 3. There is traffic loss from the server to the PC because port 1 is down. To alleviate this problem, the feature sends out a dummy multicast packet with the source MAC address of the PC over port 2. Switch C learns the PC MAC address on port 4 and start forwarding traffic from the server to the PC out of port 4. One dummy multicast packet is sent out for every MAC address.

Figure 18-2 Flexlink Dummy Multicast Packets Example



Note

- Local administrative shut down or a link that starts forwarding again due to preemption is not considered a link failure. In those cases, the feature flushes the dynamic hosts and does not move them.
- Static MAC addresses configured on a Flex Link port are restored when it starts forwarding again.

Configuring Flex Links

These sections contain this configuration information:

- [Flex Links Default Configuration, page 18-4](#)
- [Flex Links Configuration Guidelines and Restrictions, page 18-4](#)
- [Configuring Flex Links, page 18-4](#)

Flex Links Default Configuration

There is no default Flex Links configuration.

Flex Links Configuration Guidelines and Restrictions

When configuring Flex Links, follow these guidelines and restrictions:

- You can configure only one Flex Links backup link for any active link, and it must be a different interface from the active interface.
- An interface can belong to only one Flex Links pair. An interface can be a backup link for only one active link. An active link cannot belong to another Flex Links pair.
- Neither of the links can be a port that belongs to an EtherChannel. However, you can configure two port channels (EtherChannel logical interfaces) as Flex Links, and you can configure a port channel and a physical interface as Flex Links, with either the port channel or the physical interface as the active link.
- A backup link does not have to be the same type as the active link (Fast Ethernet, Gigabit Ethernet, or port channel). However, you should configure both Flex Links with similar characteristics so that there are no loops or changes in operation if the standby link becomes active.
- STP is disabled on Flex Links ports. If STP is disabled on the switch, be sure that there are no Layer 2 loops in the network topology.
- Do not configure the following STP features on Flex Links ports or the ports to which the links connect:
 - Bridge Assurance
 - UplinkFast
 - BackboneFast
 - EtherChannel Guard
 - Root Guard
 - Loop Guard
 - PVST Simulation
- Flex Links and port security are not compatible with each other.
- Static unicast MAC addresses that are configured on the primary link are not moved to the standby link.

Configuring Flex Links

To configure Flex Links, perform this task:

	Command	Purpose
Step 1	Router# configure terminal	Enters global configuration mode.
Step 2	Router(conf)# interface {{type ¹ slot/port} {port-channel number}}	Specifies a Layer 2 interface.

	Command	Purpose
Step 3	Router(conf-if)# switchport backup interface {{type ¹ slot/port} {port-channel number}}	Configures the interface as part of a Flex Links pair.
Step 4	Router(conf-if)# exit	Exits configuration mode.
Step 5	Router# show interface [{{type ¹ slot/port} {port-channel number}] switchport backup	Verifies the configuration.
Step 6	Router# copy running-config startup config	(Optional) Saves your entries in the switch startup configuration file.

1. *type* = fastethernet, gigabitethernet, or tengigabitethernet

This example shows how to configure an interface with a backup interface and how to verify the configuration:

```
Router# configure terminal
Router(conf)# interface fastethernet1/1
Router(conf-if)# switchport backup interface fastethernet1/2
Router(conf-if)# exit
Router# show interface switchport backup
Router Backup Interface Pairs:
```

Active Interface	Backup Interface	State
FastEthernet1/1	FastEthernet1/2	Active Up/Backup Standby
FastEthernet1/3	FastEthernet2/4	Active Up/Backup Standby
Port-channel1	GigabitEthernet7/1	Active Up/Backup Standby

Monitoring Flex Links

To monitor the Flex Links configuration, perform this task:

Command	Purpose
show interface [{{type ¹ slot/port} {port-channel number}] switchport backup	Displays the Flex Links backup interface configured for an interface, or displays all Flex Links configured on the switch and the state of each active and backup interface (up or standby mode).

1. *type* = fastethernet, gigabitethernet, or tengigabitethernet



Tip

For additional information about Cisco Catalyst 6500 Series Switches (including configuration examples and troubleshooting information), see the documents listed on this page:

http://www.cisco.com/en/US/products/hw/switches/ps708/tsd_products_support_series_home.html

[Participate in the Technical Documentation Ideas forum](#)

