



## CHAPTER 6

# Configuring the Cisco IOS In-Service Software Upgrade Process



### Note

Starting with Cisco IOS 12.2(31)SGA, ISSU is supported on the Catalyst 4500. All line cards are supported.

Operating on redundant systems, the In-Service Software Upgrade (ISSU) process allows Cisco IOS software to be updated or otherwise modified while packet forwarding continues. In most networks, planned software upgrades are a significant cause of downtime. ISSU allows Cisco IOS software to be modified while packet forwarding continues. This increases network availability and reduces downtime caused by planned software upgrades. This document provides information about ISSU concepts and describes the steps taken to perform ISSU in a system.

This section includes these topics:

- [Prerequisites to Performing ISSU, page 6-1](#)
- [About ISSU, page 6-2](#)
- [Performing the ISSU Process, page 6-15](#)
- [Related Documents, page 6-42](#)



### Note

For complete syntax and usage information for the switch commands used in this chapter, see the *Cisco Catalyst 4500 Series Switch Command Reference* and related publications at this location: <http://www.cisco.com/en/US/products/hw/switches/ps4324/index.html>

If a command is not in the *Catalyst 4500 Series Switch Command Reference*, you can locate it in the Cisco IOS library. See related publications at this location: <http://www.cisco.com/en/US/products/ps6350/index.html>

## Prerequisites to Performing ISSU

Before performing ISSU, you need to meet these prerequisites:

- Image type of the existing and target image must match. For example, you cannot upgrade from an IP Base image to an Enterprise Services image (and vice versa) without experiencing several minutes of traffic loss.




---

**Note** A similar limitation applies between crypto and non-crypto images.

---

- The active and the standby supervisor engines must have the same supervisor engine hardware (same model, same memory, NFL daughter card and so on).
- The new and old Cisco IOS software images must be loaded into the file systems (bootflash or compact flash) of both the active and the standby supervisor engines before you begin the ISSU process.

The old image should be available either in bootflash or compact flash and the system should have been booted from one of these locations because the boot variable should not be changed before the ISSU process unfolds.




---

**Note** **auto-boot** must be enabled for ISSU to succeed.

---

- Stateful Switchover (SSO) must be configured and the standby supervisor engine should be in standby hot state.

These commands indicate whether SSO is enabled: **show module**, **show running-config**, **show redundancy state**.

If you do not have SSO enabled, see the *Stateful Switchover* document for further information on how to enable and configure SSO.

- Nonstop Forwarding (NSF) must be configured and working properly. If you do not have NSF enabled, see the *Cisco Nonstop Forwarding* document for further information on how to enable and configure NSF.
- Before you perform ISSU, ensure that the system is configured for redundancy mode SSO and that the file system for both the active and the standby supervisor engines contains the new ISSU-compatible image. The current Cisco IOS version running in the system must also support ISSU.

You can enter various commands on the Catalyst 4500 series switch or the ISSU application on Cisco Feature Navigator to determine supervisor engine versioning and Cisco IOS compatibility.

- If you enter the **no ip routing** command, ISSU falls back from SSO to RPR mode, resulting in traffic loss.
- Autoboot is turned on and the current booted image matches the one specified in the BOOT environmental variable. For details on how to configure and verify these, please refer to "[Modifying the Boot Field and Using the boot Command](#), page 3-27.
- If you enter the **no ip routing** command, ISSU falls back from SSO to RPR mode, resulting in traffic loss.

## About ISSU




---

**Note** Do not make any hardware changes while performing ISSU.

---

Before you perform ISSU, you should understand the following concepts:

- [Stateful Switchover Overview](#), page 6-3

- [NSF Overview, page 6-5](#)
- [ISSU Process Overview, page 6-6](#)
- [Performing an ISSU Upgrade: 2 Methods, page 6-11](#)
- [Changeversion Process, page 6-12](#)
- [Guidelines for Performing ISSU, page 6-13](#)
- [Versioning Capability in Cisco IOS Software to Support ISSU, page 6-13](#)
- [SNMP Support for ISSU, page 6-15](#)
- [Compatibility Verification Using Cisco Feature Navigator, page 6-15](#)

## Stateful Switchover Overview

Development of the SSO feature is an incremental step within an overall program to improve the availability of networks constructed with Cisco IOS switches.

In specific Cisco networking devices that support dual supervisor engines, SSO takes advantage of supervisor engine redundancy to increase network availability. SSO achieves this by establishing one of the supervisor engines as the active processor while the other supervisor engine is designated as the standby processor. Following an initial synchronization between the two supervisor engines, SSO dynamically synchronizes supervisor engine state information between them in real-time.

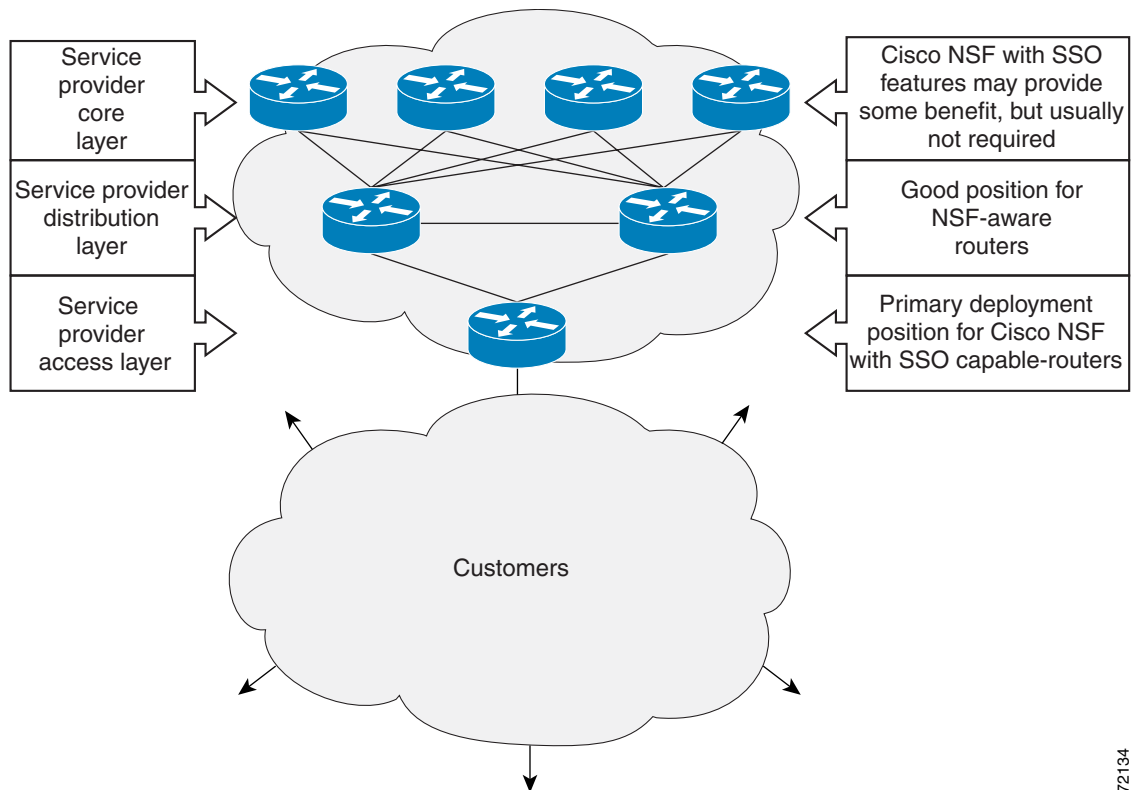
A switchover from the active to the standby processor occurs when the active supervisor engine fails or is removed from the networking device.

Cisco NSF is used with SSO. Cisco NSF allows the forwarding of data packets to continue along known routes while the routing protocol information is being restored following a switchover. With Cisco NSF, peer networking devices do not experience routing flaps, which reduce loss of service outages for customers.

[Figure 6-1](#) illustrates how SSO is typically deployed in service provider networks. In this example, Cisco NSF with SSO is enabled at the access layer (edge) of the service provider network. A fault at this point could result in loss of service for enterprise customers requiring access to the service provider network.

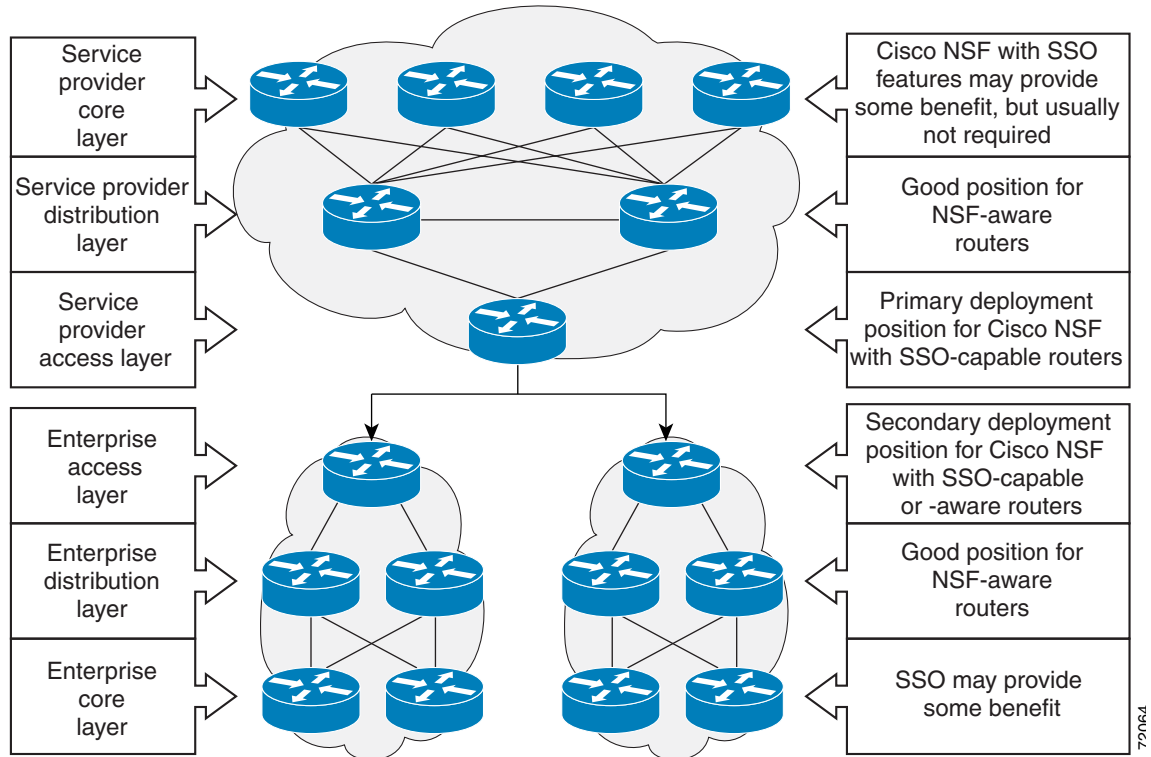
For Cisco NSF protocols that require neighboring devices to participate in Cisco NSF, Cisco NSF-aware software images must be installed on those neighboring distribution layer devices. Depending on your objectives, you may decide to deploy Cisco NSF and SSO features at the core layer of your network. Doing this can help reduce the time to restore network capacity and service for certain failures, which leads to additional availability.

**Figure 6-1 Cisco NSF with SSO Network Deployment: Service Provider Networks**



72134

Additional levels of availability may be gained by deploying Cisco NSF with SSO at other points in the network where a single point of failure exists. [Figure 6-2](#) illustrates an optional deployment strategy that applies Cisco NSF with SSO at the enterprise network access layer. In this example, each access point in the enterprise network represents another single point of failure in the network design. In the event of a switchover or a planned software upgrade, enterprise customer sessions continue uninterrupted through the network in this example.

**Figure 6-2 Cisco NSF with SSO Network Deployment: Enterprise Networks**

## NSF Overview

Cisco NSF works with the SSO feature in Cisco IOS software. SSO is a prerequisite of Cisco NSF. NSF works with SSO to minimize the amount of time a network is unavailable to its users following a switchover. The main objective of Cisco NSF is to continue forwarding IP packets following a supervisor engine switchover.

Usually, when a networking device restarts, all routing peers of that device detect that the device went down and then came back up. This transition results in what is called a routing flap, which could spread across multiple routing domains. Routing flaps caused by routing restarts create routing instabilities, which are detrimental to the overall network performance. Cisco NSF helps to suppress routing flaps in SSO-enabled devices, thus reducing network instability.

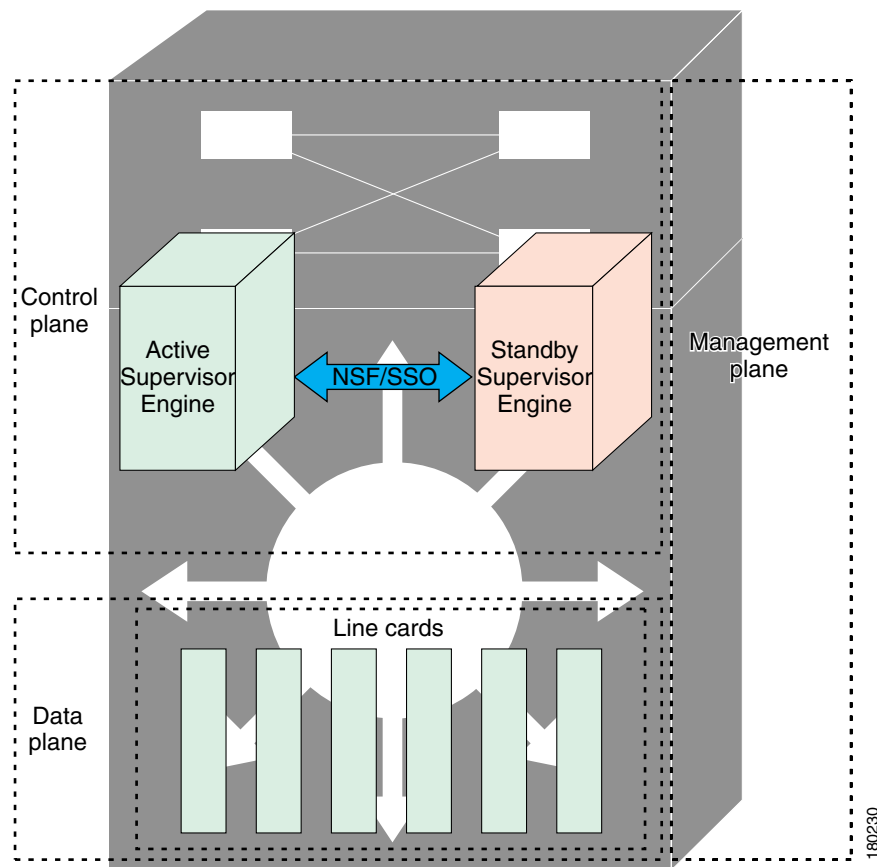
Cisco NSF allows for the forwarding of data packets to continue along known routes while the routing protocol information is being restored following a switchover. With Cisco NSF, peer networking devices do not experience routing flaps. Data traffic is forwarded while the standby supervisor engine assumes control from the failed active supervisor engine during a switchover. The ability of physical links to remain up through a switchover and to be kept current with the Forwarding Information Base (FIB) on the active supervisor engine is key to Cisco NSF operation.

## ISSU Process Overview

The ISSU process allows you to perform a Cisco IOS software upgrade or downgrade while the system continues to forward packets. (For an illustration of the commands used during the ISSU process, refer to [Figure 6-8 on page 6-11](#).) Cisco IOS ISSU takes advantage of the Cisco IOS high availability infrastructure—Cisco NSF with SSO and hardware redundancy—and eliminates downtime associated with software upgrades or version changes by allowing changes while the system remains in service (see [Figure 6-3](#)).

SSO and NSF mode support configuration and runtime state synchronization from the active to the standby supervisor engine. For this process to happen, the images on both the active and the standby supervisor engines must be the same. When images on active and standby supervisor engines are different ISSU allows the two supervisor engines to be kept in synchronization even when these two versions of Cisco IOS support different sets of features and commands.

**Figure 6-3 High Availability Features and Hardware Redundancy in the ISSU Process**



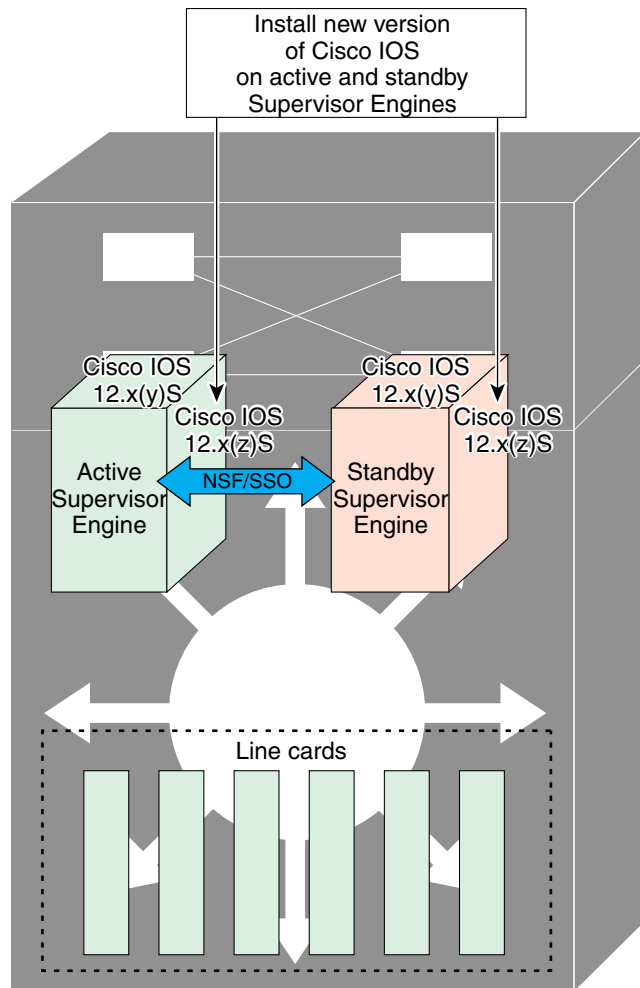
An ISSU-capable switch consists of two supervisor engines (active and standby) and one or more line cards. Before initiating the ISSU process, copy the Cisco IOS software into the file systems of both supervisor engines (see Figure 6-4).



**Note**

In the following figure, Cisco IOS 12.x(y)S represents the *current* version of Cisco IOS.

**Figure 6-4** Install/Copy New Version of Cisco IOS Software on Both Supervisor Engines

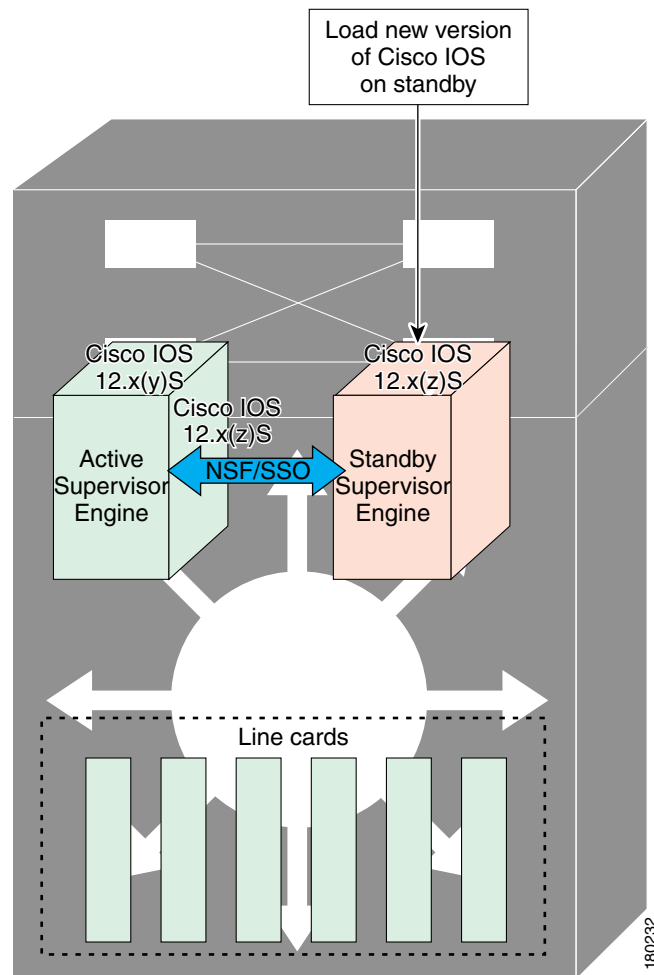


After you have copied the Cisco IOS software to both file systems, load the new version of Cisco IOS software onto the standby supervisor engine (see [Figure 6-5](#)).

**Note**

Without the ISSU feature, you cannot have SSO or NSF functioning between the active and standby supervisor engines when they are running two different versions of Cisco IOS image.

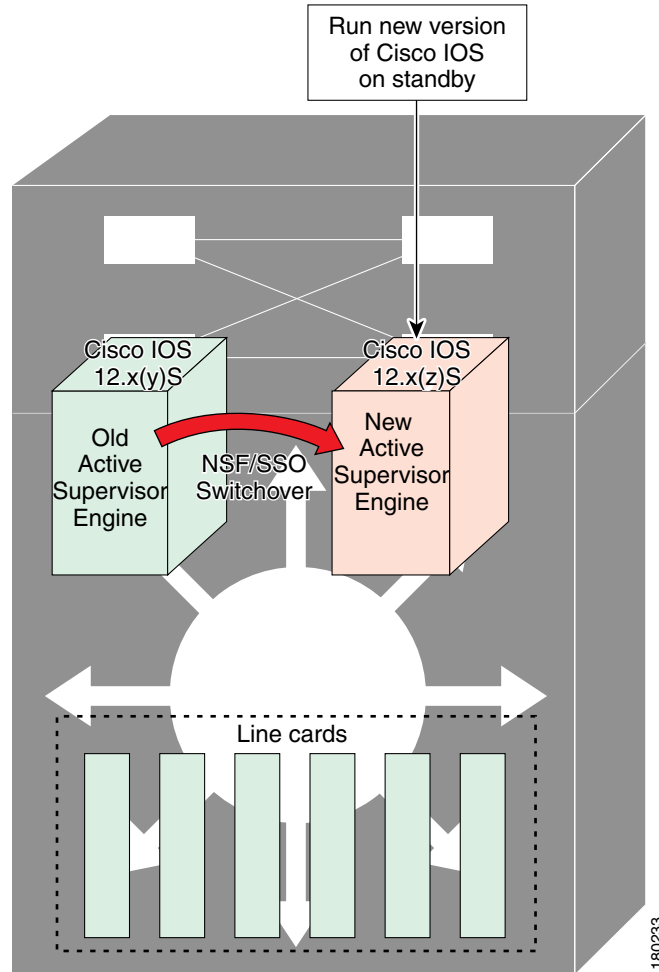
**Figure 6-5** Load New Version of Cisco IOS Software on the Standby Supervisor Engine





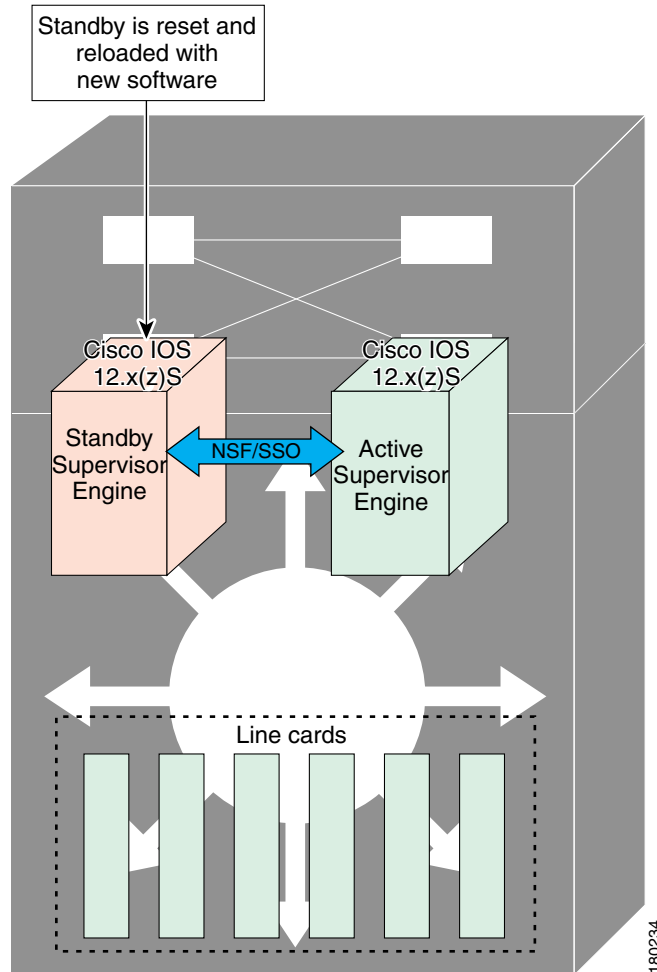
After a switchover (NSF or SSO, not RPR), the standby supervisor engine takes over as the new active supervisor engine (see [Figure 6-6](#)).

**Figure 6-6** Switch Over to Standby Supervisor Engine



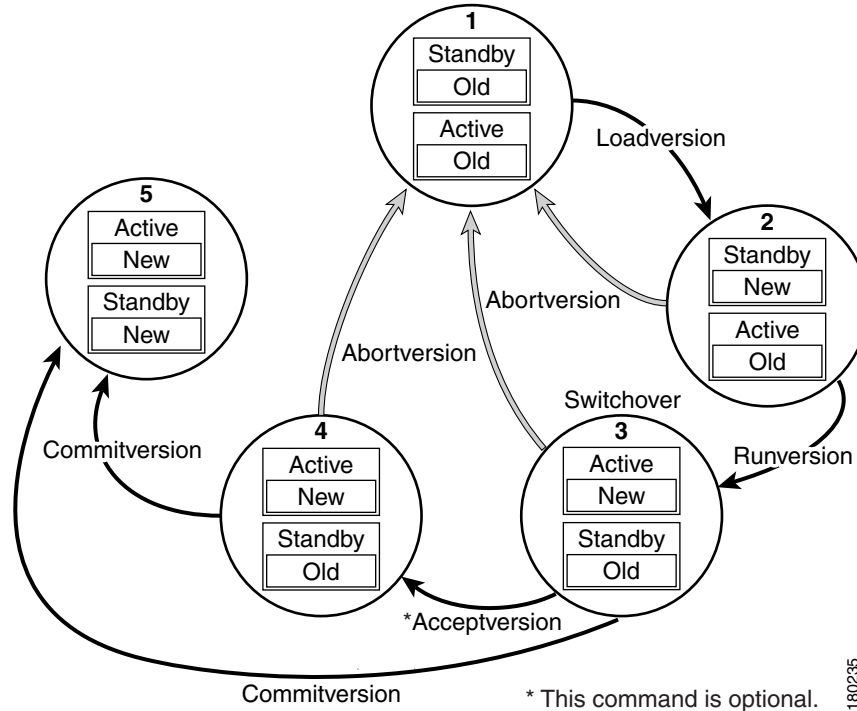
The former active supervisor engine is loaded with an old Cisco IOS image so that if the new active supervisor engine experiences problems, you can abort and conduct a switchover to the former active, which is already running the old image. Next, the former active supervisor engine is loaded with the new version of Cisco IOS software and becomes the new standby supervisor engine (see [Figure 6-7](#)).

**Figure 6-7** Load New Standby Supervisor Engine with New Cisco IOS Software



[Figure 6-8](#) shows the steps during the ISSU process.

Figure 6-8 Steps During the ISSU Process



## Performing an ISSU Upgrade: 2 Methods

There are two ways to perform an ISSU upgrade: manually, with four commands; or automatically, with one command.

The normal ISSU upgrade process involves issuing four separate ISSU exec commands (**issu loadversion**, **issu runversion**, **issu acceptversion**, **issu commitversion**) along with additional show command invocations to evaluate the success of each command before proceeding. Although the ISSU process is complicated, you should not expect disruption of service. The use of multiple ISSU commands dictates an additional level of care to ensure no service disruption. However, in some scenarios, this upgrade procedure might be cumbersome and of minimal value. A typical example is during a network upgrade that involves performing an ISSU upgrade on a large number of Catalyst 4500 switches. In these cases, we recommend that you first perform the normal (four command) ISSU upgrade procedure on one switch (possibly in a lab environment) to verify successful upgrade. Then, use a single **issu changeversion** command to perform an automatic ISSU on the rest of the Catalyst 4500 switches in the network.



### Note

To use the **issu changeversion** command, both old and new IOS versions must support **issu changeversion** functionality.

## Changeversion Process

The **issu changeversion** command launches a single-step complete ISSU upgrade cycle. It performs the logic for all four of the standard commands (**issu loadversion**, **issu runversion**, **issu acceptversion**, and **issu commitversion**) without user intervention, streamlining the upgrade through a single CLI step.

Additionally, **issu changeversion** allows the upgrade process to be scheduled for a future time. This enables you to stage a number of systems to perform upgrades sequentially when a potential disruption would be least harmful.

After the standby supervisor engine initializes and the system reaches a terminal state (RPR/SSO), the upgrade process is complete and the **BOOT** variable is permanently written with the new IOS software software image. Hence, a reset on any RP will keep the system booting the new software image. Console and syslog messages will be generated to notify anyone monitoring the upgrade that the state transition has occurred.

Similar to the normal ISSU upgrade procedure, the in-progress upgrade procedure initiated by the **issu changeversion** command can be aborted with the **issu abortversion** command. If the system detects any problems or detects an unhealthy system during an upgrade, the upgrade might be automatically aborted.

When the **issu runversion** command is entered during the four step manual upgrade process, if any incompatible ISSU clients exist, the upgrade process reports them and their side effects, and allows the user to abort the upgrade. While performing a single-step upgrade process, when the process reaches the runversion state, it will either automatically continue with the upgrade provided the base clients are compatible, or automatically abort because of client incompatibility. If the user wants to continue the upgrade procedure in RPR mode, the user must use the normal ISSU command set and specify the **force** option when entering the **issu loadversion** command.

### Changeversion: Quick Option

The **issu changeversion** command provides an optional quick command option that can reduce the time required to perform the automatic ISSU upgrade. When the **quick** command option is applied, the ISSU upgrade state transition differs from that described previously. With this option, the software logic up the loadversion stage remains the same as previously described, and the logic that performs runversion and commitversion is combined. This logic skips the step in the upgrade procedure that loads the old software version on the new standby (old active) supervisor, reducing the time required for the automatic ISSU upgrade by about a third.

### Scheduled Changeversion: "in" and "at" Options

**issu changeversion** provides **in** and **at** command options that enable you to schedule a future automatic ISSU upgrade.

The **at** command option schedules an automatic ISSU upgrade to begin at a specific time. This option specifies an exact time (*hh:mm*, 24 hour format) in the next 24 hours at which the upgrade will occur.

The **in** command option schedules an automatic ISSU upgrade to begin after a certain amount of time has elapsed. This option specifies the number of hours and minutes (*hh:mm* format) that must elapse before an upgrade will occur, with a maximum value of 99:59.

## Changeversion Deployment Scenario

The typical **issu changeversion** command usage scenario is for experienced users with a large installed base. These users typically validate a new image using a topology and configuration similar to their production network. The validation process should be done using both the existing multi-command process and the new **issu changeversion** command process. Once users certify an IOS software image and want to roll it out broadly, they can use the single command process to perform an efficient upgrade of their network.

## Aborting an In-Progress Changeversion Procedure

The **issu changeversion** command functionality is designed to perform an ISSU software upgrade without user intervention. However, status messages are displayed to the console as the upgrade transitions through the various states. If any anomalies are noticed during the automatic upgrade, perhaps with peers or other parts of the network, you can use the **issu abortversion** command to manually abort the upgrade at any point in the process prior to the commitversion operation.

## Guidelines for Performing ISSU

Be aware of the following guidelines while performing the ISSU process:

- Even with ISSU, it is recommended that upgrades be performed during a maintenance window.
- The new features should not be enabled (if they require change of configuration) during the ISSU process.



---

**Note** Enabling them will cause the system to enter RPR mode because commands are only supported on the new version.

---

- In a downgrade scenario, if any feature is not available in the downgrade revision of the Cisco IOS software handle, that feature should be disabled prior to initiating the ISSU process.

## Versioning Capability in Cisco IOS Software to Support ISSU

Before the introduction of ISSU, the SSO mode of operation required each supervisor engine to be running the same versions of Cisco IOS software.



---

**Note** The operating mode of the system in a redundant HA configuration is determined by exchanging version strings when the standby supervisor engine registers with the active supervisor engine.

---

The system entered SSO mode only if the versions running on the both supervisor engines were the same. If not, the redundancy mode changes to RPR. With ISSU capability, the implementation allows two different but compatible release levels of Cisco IOS images to interoperate in SSO mode and enables software upgrades while packet forwarding continues. Version checking done before ISSU capability was introduced is no longer sufficient to allow the system to determine the operating mode.

ISSU requires additional information to determine compatibility between software versions. A compatibility matrix is defined, containing information about other images relative to the one in question. This compatibility matrix represents the compatibility of two software versions, one running on the active and the other on the standby supervisor engine, and to allow the system to determine the highest operating mode it can achieve. Incompatible versions cannot progress to SSO operational mode.

## Compatibility Matrix

You can perform the ISSU process when the Cisco IOS software on both the active and the standby supervisor engine is capable of ISSU and the old and new images are compatible. The compatibility matrix information stores the compatibility among releases as follows:

- **Compatible**—The base-level system infrastructure and all optional HA-aware subsystems are compatible. An in-service upgrade or downgrade between these versions succeeds with minimal service impact. The matrix entry designates the images to be compatible (C).
- **Base-level compatible**—One or more of the optional HA-aware subsystems is not compatible. An in-service upgrade or downgrade between these versions succeeds; however, some subsystems cannot always maintain state during the transition from the old to the new version of Cisco IOS. The matrix entry designates the images to be base-level compatible (B).

However, you should be able to perform an ISSU upgrade without any functionality loss even if the matrix entry is B. The downgrade may experience some functionality loss if the newer image had additional functionality.

- **Incompatible**—A core set of system infrastructure exists in Cisco IOS that must be able to interoperate in a stateful manner for SSO to function correctly. If any of these required features or subsystems is not interoperable, then the two versions of the Cisco IOS software images are declared to be incompatible. An in-service upgrade or downgrade between these versions is not possible. The matrix entry designates the images to be incompatible (I). The system operates in RPR mode during the period when the versions of Cisco IOS at the active and standby supervisor engines are incompatible.

If you attempt to perform ISSU with a peer that does not support ISSU, the system automatically uses RPR instead.

The compatibility matrix represents the compatibility relationship a Cisco IOS software image has with all of the other Cisco IOS software versions within the designated support window (for example, all of those software versions the image “knows” about) and is populated and released with every image. The matrix stores compatibility information between its own release and prior releases. It is always the newest release that contains the latest information about compatibility with existing releases in the field. The compatibility matrix is available within the Cisco IOS software image and on Cisco.com so that users can determine in advance whether an upgrade can be done using the ISSU process.

To display the compatibility matrix data between two software versions on a given system, enter the **show issu comp-matrix stored** command.



### Note

This command is useful *only for verification purposes* because it is available *only after* the ISSU process has started. You might want to check the compatibility matrix prior to starting ISSU. Use the Feature Navigator to obtain the needed information:

<http://tools.cisco.com/ITDIT/CFN/jsp/index.jsp>

## SNMP Support for ISSU

SNMP for SSO provides a mechanism for synchronizing the SNMP configurations and the MIBs that support SSO from the active supervisor engine to the standby supervisor engine, assuming that both supervisor engines are running the same version of Cisco IOS software. This assumption is not valid for ISSU.

With ISSU, an SNMP client can handle transformations for the MIBs across two different versions of Cisco IOS, if needed. An SNMP client handles transformation for all MIBs and handles the transmit and receive functionality across the active and standby supervisor engines. During SNMP, a MIB is completely synchronized from the active supervisor engine to the standby supervisor engine only if the versions of the MIB on both Cisco IOS releases are the same.

## Compatibility Verification Using Cisco Feature Navigator

The ISSU application on Cisco Feature Navigator allows you to:

- Select an ISSU-capable image
- Identify which images are compatible with that image
- Compare two images and understand the compatibility level of the images (that is, compatible, base-level compatible, and incompatible)
- Compare two images and see the client compatibility for each ISSU client
- Provide links to release notes for the image

## Performing the ISSU Process

Unlike SSO, which is a mode of operation for the device and a prerequisite for performing ISSU, the ISSU process is a series of steps performed while the switch is in operation. The steps result in an upgrade to a new or modified Cisco IOS software, and have a minimal impact to traffic.

**Note**

---

For an illustration of the process flow for ISSU, refer to [Figure 6-8 on page 6-11](#).

---

This section includes the following topics:

- [Upgrading ISSU to Cisco IOS XE 3.4.0SG/15.1\(2\)SG from a Prior Release, page 6-16](#)
- [Downgrading ISSU from Cisco IOS XE 3.4.0SG/15.1\(2\)SG to a Prior Release, page 6-17](#)
- [Verifying the ISSU Software Installation, page 6-18](#)
- [Loading New Cisco IOS Software on the Standby Supervisor Engine, page 6-21 \(required\)](#)
- [Switching to the Standby Supervisor Engine, page 6-24 \(required\)](#)
- [Stopping the ISSU Rollback Timer \(Optional\), page 6-26 \(optional\)](#)
- [Loading New Cisco IOS Software on the New Standby Supervisor Engine, page 6-27](#)
- [Aborting a Software Upgrade During ISSU, page 6-34](#)
- [Configuring the Rollback Timer to Safeguard Against Upgrade Issues, page 6-35](#)
- [Displaying ISSU Compatibility Matrix Information, page 6-36](#)

## Upgrading ISSU to Cisco IOS XE 3.4.0SG/15.1(2)SG from a Prior Release

Because images prior to Cisco IOS XE 3.4.0SG/15.1(2)SG use the earlier CLI format and Cisco IOS XE 3.4.0SG and 15.1(2)SG images use a newer CLI format, your upgrade consists of the following:

- Upgrading the image on your switch to Cisco IOS XE 3.4.0SG/15.1(2)SG.
- Upgrading mgmtVrf from the earlier CLI format to the later format, removing any IPv6 addresses on the interface.
- Enabling IPv6 address family under mgmtVrf, and reconfigure IPv6 addresses on fa1.

A configuration like the following should exist on pre-Cisco IOS XE 3.4.0SG/15.1(2)SG image:

```
ip vrf mgmtVrf
!
interface FastEthernet1
 ip vrf forwarding mgmtVrf
 ip address 10.1.1.1 255.255.255.0
 speed auto
 duplex auto
 ipv6 address 2000::1/64
!
```

**Step 1** Perform an ISSU upgrade to a Cisco IOS XE 3.4.0SG/15.1(2)SG image.

**Step 2** Run the VRF upgrade command.

```
Switch# config t
Enter configuration commands, one per line. End with CNTL/Z.
Switch(config)# vrf upgrade-cli multi-af-mode common-policies vrf mgmtVrf
You are about to upgrade to the multi-AF VRF syntax commands.
You will lose any IPv6 address configured on interfaces
belonging to upgraded VRFs.

Are you sure ? [yes]:
Number of VRFs upgraded: 1
Switch(config)# exit
```

Your configuration will appear as follows:

```
vrf definition mgmtVrf
!
 address-family ipv4
 exit-address-family
!
interface FastEthernet1
 vrf forwarding mgmtVrf
 ip address 10.1.1.1 255.255.255.0
 speed auto
 duplex auto
!
```

**Step 3** Configure the switch to enable the IPv6 address family and add the IPv6 address.

```
Switch# config t
Enter configuration commands, one per line. End with CNTL/Z.
Switch(config)# vrf definition mgmtVrf
Switch(config-vrf)# address-family ipv6
Switch(config-vrf-af)# exit
Switch(config-vrf)# exit
Switch(config)# interface fa1
Switch(config-if)# ipv6 address 2000::1/64
```



```
Switch(config-if)# end
```

---

Your configuration will appear as follows.

```
vrf definition mgmtVrf
!
address-family ipv4
exit-address-family
!
address-family ipv6
exit-address-family
!
interface FastEthernet1
vrf forwarding mgmtVrf
ip address 10.1.1.1 255.255.255.0
speed auto
duplex auto
ipv6 address 2000::1/64
```

## Downgrading ISSU from Cisco IOS XE 3.4.0SG/15.1(2)SG to a Prior Release

Because a Cisco IOS XE 3.4.0SG/15.1(2)SG image uses a new CLI format and prior images use earlier CLI formats, the downgrade procedure include the following:

- Downgrading mgmtVrf from new CLI format to older CLI format, removing any IPv6 addresses on the interface.
- Downgrading the image on your switch to a prior release.
- Reconfiguring the IPv6 addresses on fa1.

A configuration like the following will appear on a switch running a Cisco IOS XE 3.4.0SG/15.1(2)SG image:

```
vrf definition mgmtVrf
!
address-family ipv4
exit-address-family
!
address-family ipv6
exit-address-family
!
interface FastEthernet1
vrf forwarding mgmtVrf
ip address 10.1.1.1 255.255.255.0
speed auto
duplex auto
ipv6 address 2000::1/64
!
```

**Step 1** Perform a downgrade to a release prior to Cisco IOS XE 3.4.0SG/15.1(2)SG.

```
Switch# config t
Enter configuration commands, one per line. End with CNTL/Z.
Switch(config)# no vrf upgrade-cli multi-af-mode common-policies vrf mgmtVrf
You are about to downgrade to the single-AF VRF syntax commands.
You will lose any IPv6 address configured on interfaces
belonging to downgraded VRFs.

Are you sure ? [yes]:
% ipv6 addresses from all interfaces in VRF mgmtVrf have been removed
```

```
Number of VRFs downgraded: 1
Switch(config)#
```

Your configuration will appear as follows:

```
ip vrf mgmtVrf
!
interface FastEthernet1
 ip vrf forwarding mgmtVrf
 ip address 10.1.1.1 255.255.255.0
 speed auto
 duplex auto
!
```

**Step 2** Perform an ISSU downgrade to a pre-Cisco IOS XE 3.4.0SG/15.1(2)SGn image.

**Step 3** Reconfigure the IPv6 address.

```
Switch# config t
Enter configuration commands, one per line. End with CNTL/Z.
Switch(config)# interface fa1
Switch(config-if)# ipv6 address 2000::1/64
Switch(config-if)# end
Switch#
```

Your configuration will appear as follows.

```
ip vrf mgmtVrf
!
interface FastEthernet1
 ip vrf forwarding mgmtVrf
 ip address 10.1.1.1 255.255.255.0
 speed auto
 duplex auto
 ipv6 address 2000::1/64
```

## Verifying the ISSU Software Installation

During the ISSU process, five valid states exist: disabled, init, load version, run version, and system reset. Use the **show issu state** command to obtain the current ISSU state:

- Disabled state—The state for the standby supervisor engine while this engine is resetting.
- Init state—The initial state is two supervisor engines, one active and one standby, before the ISSU process is started. It is also the final state after the ISSU process completes.
- Load version (LV) state—The standby supervisor engine is loaded with the new version of Cisco IOS software.
- Run version (RV) state—The **issu runversion** command forces the switchover of the supervisor engines. The newly active supervisor engine now runs the new Cisco IOS software image.
- System reset (SR) state—This state occurs either when you enter the **issu abortversion** command before the Init state is reached, or if the rollback timer expires before you execute the **issu acceptversion** command.

You can verify the ISSU software installation by entering **show** commands, as follows:

	Command or Action	Purpose
Step 1	Switch> <b>enable</b>	Enables privileged EXEC mode. <ul style="list-style-type: none"> <li>• Enter your password if prompted.</li> </ul>
Step 2	Switch# <b>show issu state [detail]</b>	Displays the state of the during the ISSU process.
Step 3	Switch# <b>show redundancy</b>	Displays current or historical status, mode, and related redundancy information about the device.

This example shows how to display the state and the current status of the supervisor engine during the ISSU process:

```
Switch> enable
Switch# show issu state
Switch# show redundancy
```

## Verifying Redundancy Mode Before Beginning the ISSU Process

Before you begin the ISSU process, verify the redundancy mode for the system and be sure to configure NSF and SSO.

The following example displays verification that the system is in SSO mode, that slot 1 is the active supervisor engine, and that slot 2 is the standby supervisor engine. Both supervisor engines are running the same Cisco IOS software image.

```
Switch# show redundancy states
  my state = 13 -ACTIVE
  peer state = 8 -STANDBY HOT
    Mode = Duplex
    Unit = Primary
    Unit ID = 1

Redundancy Mode (Operational) = Stateful Switchover
Redundancy Mode (Configured) = Stateful Switchover
Redundancy State = Stateful Switchover
Maintenance Mode = Disabled
  Manual Swact = enabled
  Communications = Up

  client count = 39
  client_notification_TMR = 240000 milliseconds
    keep_alive TMR = 9000 milliseconds
    keep_alive count = 0
  keep_alive threshold = 18
  RF debug mask = 0x0

Switch# show redundancy
Redundant System Information :
-----
  Available system uptime = 1 minute
  Switchovers system experienced = 0
    Standby failures = 0
  Last switchover reason = none

  Hardware Mode = Duplex
  Configured Redundancy Mode = Stateful Switchover
```

```

Operating Redundancy Mode = Stateful Switchover
Maintenance Mode = Disabled
Communications = Up

Current Processor Information :
-----
      Active Location = slot 1
      Current Software state = ACTIVE
      Uptime in current state = 0 minutes
      Image Version = Cisco IOS Software, Catalyst 4500 L3 Switch Software
(cat4500-ENTSERVICES-M), Version 12.2(31)SGA, RELEASE SOFTWARE (fc1)
Technical Support: http://www.cisco.com/techsupport
Copyright (c) 1986-2006 by Cisco Systems, Inc.
Compiled Tue 05-Sep-06 16:16 by sanjdas
      BOOT = bootflash:old_image,1;
      Configuration register = 0x822

Peer Processor Information :
-----
      Standby Location = slot 2
      Current Software state = STANDBY HOT
      Uptime in current state = 1 minute
      Image Version = Cisco IOS Software, Catalyst 4500 L3 Switch Software
(cat4500-ENTSERVICES-M), Version 12.2(31)SGA, RELEASE SOFTWARE (fc1)
Technical Support: http://www.cisco.com/techsupport
Copyright (c) 1986-2006 by Cisco Systems, Inc.
Compiled Tue 05-Sep-06 16:16 by sanjdas
      BOOT = bootflash:old_image,1;
      Configuration register = 0x822

```

## Verifying the ISSU State Before Beginning the ISSU Process

Ensure that the active and standby supervisor engines are up and in ISSU Init state and that the boot variables are set and pointing to valid files.

The following example displays the ISSU state before the process begins:

```

Switch# show issu state detail
      Slot = 1
      RP State = Active
      ISSU State = Init
      Boot Variable = bootflash:old_image,1;
      Operating Mode = Stateful Switchover
      Primary Version = N/A
      Secondary Version = N/A
      Current Version = bootflash:old_image

      Slot = 2
      RP State = Standby
      ISSU State = Init
      Boot Variable = bootflash:old_image,1;
      Operating Mode = Stateful Switchover
      Primary Version = N/A
      Secondary Version = N/A
      Current Version = bootflash:old_image

```

The new version of the Cisco IOS software must be present on both of the supervisor engines. The directory information displayed for each of the supervisor engines (or supervisor engines) shows that the new version is present.

```

Switch# dir bootflash:
Directory of bootflash:/

```

```

5  -rwx   13636500   Sep 6 2006 09:32:33 +00:00  old_image
6  -rwx   13636500   Sep 6 2006 09:34:07 +00:00  new_image

61341696 bytes total (1111388 bytes free)

Switch# dir slavebootflash:
Directory of slavebootflash:/

 4  -rwx   13636500   Sep 6 2006 09:40:10 +00:00  old_image
 5  -rwx   13636500   Sep 6 2006 09:42:13 +00:00  new_image

61341696 bytes total (1116224 bytes free)

```

## Loading New Cisco IOS Software on the Standby Supervisor Engine

This task describes how to use ISSU to load a new version of Cisco IOS software to the standby supervisor engine.

### Prerequisites

- Ensure that the new version of Cisco IOS software image is already present in the file system of both the active and standby supervisor engines. Also ensure that appropriate boot parameters (BOOT string and config-register) are set for the standby supervisor engine.




---

**Note** The switch must boot with the BOOT string setting before the ISSU procedure is attempted.

---




---

**Note** **auto-boot** must be enabled for ISSU to succeed.

---

- Optionally, perform additional tests and commands to determine the current state of peers and interfaces for later comparison.
- Ensure the system (both active and standby supervisor engines) is in SSO redundancy mode. If the system is in RPR mode rather than SSO mode, you can still upgrade the system using the ISSU CLI commands, but the system experiences extended packet loss during the upgrade.

Refer to the *Stateful Switchover* document for more details on how to configure SSO mode on supervisor engines.

- For ISSU to function, the image names on the active and standby supervisor engines must match.

Perform this task at the active supervisor engine:

	Command or Action	Purpose
Step 1	Switch> <b>enable</b>	Enables privileged EXEC mode. <ul style="list-style-type: none"> <li>• Enter your password if prompted.</li> </ul>
Step 2	Switch# <b>issu loadversion</b> <i>active-slot</i> <i>active-image-new standby-slot standby-image-new</i> <b>[forced]</b>	Starts the ISSU process and (optionally) overrides the automatic rollback when the new Cisco IOS software version is detected to be incompatible.  It may take several seconds after the <b>issu loadversion</b> command is entered for Cisco IOS software to load onto the standby supervisor engine and for the standby supervisor engine to transition to SSO mode. This causes the standby supervisor engine to reload with the new image.  If you use the <b>forced</b> option, the standby supervisor engine is booted with the new image. After the image is loaded on the standby supervisor engine, if the image is incompatible, the system is forced to the RPR mode. Otherwise the system continues in the SSO mode.
Step 3	Switch# <b>show issu state</b> [ <b>detail</b> ]	Displays the state of the during the ISSU process. At this point in the ISSU process, use this command to check that the standby supervisor engine is loaded and is in SSO mode.  It may take several seconds after entering the <b>issu loadversion</b> command for Cisco IOS software to load onto the standby supervisor engine and the standby supervisor engine to transition to SSO mode. If you enter the <b>show issu state</b> command too quickly, you may not see the information you need.
Step 4	Switch# <b>show redundancy</b> [ <b>states</b> ]	Displays redundancy facility state information.

This example shows how to start the ISSU process, boot the standby supervisor engine in the Standby Hot state, and load the standby supervisor engine slot (2) with the new image:

```
Switch> enable
Switch# issu loadversion 1 bootflash:new_image 2 slavebootflash:new_image
Switch# show issu state detail
      Slot = 1
      RP State = Active
      ISSU State = Load Version
      Boot Variable = bootflash:old_image,12
      Operating Mode = Stateful Switchover
      Primary Version = bootflash:old_image
      Secondary Version = bootflash:new_image
      Current Version = bootflash:old_image

      Slot = 2
      RP State = Standby
      ISSU State = Load Version
      Boot Variable = bootflash:new_image,12;bootflash:old_image,12
      Operating Mode = Stateful Switchover
      Primary Version = bootflash:old_image
      Secondary Version = bootflash:new_image
      Current Version = bootflash:new_image
```

```

Switch# show redundancy states
    my state = 13 -ACTIVE
    peer state = 8  -STANDBY HOT
        Mode = Duplex
        Unit = Primary
        Unit ID = 1

Redundancy Mode (Operational) = Stateful Switchover
Redundancy Mode (Configured)  = Stateful Switchover
Redundancy State               = Stateful Switchover
Maintenance Mode = Disabled
    Manual Swact = enabled
    Communications = Up

    client count = 39
    client_notification_TMR = 240000 milliseconds
        keep_alive TMR = 9000 milliseconds
            keep_alive count = 1
            keep_alive threshold = 18
            RF debug mask = 0x0

```

The following example shows how the forced option places the system in RPR mode:

```

Switch> enable
Switch# issu loadversion 1 bootflash:new_image 2 slavebootflash:new_image forced
Switch# show issu state detail
    Slot = 1
        RP State = Active
        ISSU State = Load Version
        Boot Variable = bootflash:old_image,12
        Operating Mode = RPR
        Primary Version = bootflash:old_image
        Secondary Version = bootflash:new_image
        Current Version = bootflash:old_image

    Slot = 2
        RP State = Standby
        ISSU State = Load Version
        Boot Variable = bootflash:new_image,12;bootflash:old_image,12
        Operating Mode = RPR
        Primary Version = bootflash:old_image
        Secondary Version = bootflash:new_image
        Current Version = bootflash:new_image

```

The following example shows the redundancy mode as RPR:

```

Switch# show redundancy states
    my state = 13 -ACTIVE
    peer state = 4  -STANDBY COLD
        Mode = Duplex
        Unit = Primary
        Unit ID = 1

Redundancy Mode (Operational) = RPR
Redundancy Mode (Configured)  = Stateful Switchover
Redundancy State               = RPR
Maintenance Mode = Disabled
    Manual Swact = enabled
    Communications = Up

```

```

client count = 39
client_notification_TMR = 240000 milliseconds
keep_alive TMR = 9000 milliseconds
keep_alive count = 1
keep_alive threshold = 18
RF debug mask = 0x0

```

## Switching to the Standby Supervisor Engine

This task describes how to switchover to the standby supervisor engine, which is running the new Cisco IOS software image.

Perform this task at the active supervisor engine:

	Command or Action	Purpose
Step 1	Switch> <b>enable</b>	Enables privileged EXEC mode. <ul style="list-style-type: none"> <li>Enter your password if prompted.</li> </ul>
Step 2	Switch# <b>issu runversion</b> <i>standby-slot</i> <i>[standby-image-new]</i>	Forces a switchover from the active to the standby supervisor engine and reloads the former active (current standby) supervisor engines with the old image.  When you enter the <b>issu runversion</b> command, an SSO switchover is performed, and NSF procedures are invoked if configured.
Step 3	Switch# <b>show issu state</b> [detail]	Displays the state of the during the ISSU process. At this point in the ISSU process, use this command to check that a switchover occurs to slot 2.
Step 4	Switch# <b>show redundancy</b> [states]	Displays redundancy facility state information.

This example shows how to cause a switchover to the former standby supervisor engine (slot 2), reset the former active supervisor engine and reload it with the old image so it becomes the standby supervisor engine:

```

Switch> enable
Switch# issu runversion 2 slavebootflash:new_image
This command will reload the Active unit. Proceed ? [confirm]

```

A switchover occurs at this point. At the new active supervisor engine, after old active supervisor engine comes up as the standby engine, do the following:

```

Switch# show issu state detail
      Slot = 2
      RP State = Active
      ISSU State = Run Version
      Boot Variable = bootflash:new_image,12;bootflash:old_image,12
      Operating Mode = Stateful Switchover
      Primary Version = bootflash:new_image
      Secondary Version = bootflash:old_image
      Current Version = bootflash:new_image

      Slot = 1
      RP State = Standby
      ISSU State = Run Version

```



```

    Boot Variable = bootflash:old_image,12
    Operating Mode = Stateful Switchover
    Primary Version = bootflash:new_image
    Secondary Version = bootflash:old_image
    Current Version = bootflash:old_image

```

**Note**

The new active supervisor engine is now running the new version of software, and the standby supervisor engine is running the old version of software and is in the standby hot state.

```

Switch# show redundancy states
    my state = 13 -ACTIVE
    peer state = 8 -STANDBY HOT
    Mode = Duplex
    Unit = Secondary
    Unit ID = 2

Redundancy Mode (Operational) = Stateful Switchover
Redundancy Mode (Configured) = Stateful Switchover
Redundancy State = Stateful Switchover
Maintenance Mode = Disabled
    Manual Swact = enabled
    Communications = Up

    client count = 39
    client_notification_TMR = 240000 milliseconds
    keep_alive TMR = 9000 milliseconds
    keep_alive count = 1
    keep_alive threshold = 18
    RF debug mask = 0x0

```

Once **runversion** command completes, the new active supervisor engine is running the new version of software and the previously active supervisor engine now becomes the standby supervisor engine. The standby is reset and reloaded, but remains on the previous version of software and come back online in standbyhot status. The following example shows how to verify these conditions:

```

Switch# show redundancy
Redundant System Information :
-----
    Available system uptime = 23 minutes
Switchovers system experienced = 1
    Standby failures = 0
    Last switchover reason = user forced

    Hardware Mode = Duplex
    Configured Redundancy Mode = Stateful Switchover
    Operating Redundancy Mode = Stateful Switchover
    Maintenance Mode = Disabled
    Communications = Up

Current Processor Information :
-----
    Active Location = slot 2
    Current Software state = ACTIVE
    Uptime in current state = 11 minutes
    Image Version = Cisco IOS Software, Catalyst 4500 L3 Switch Software
(cat4500-ENTSERVICES-M), Version 12.2(31)SGA, RELEASE SOFTWARE (fc1)
Technical Support: http://www.cisco.com/techsupport
Copyright (c) 1986-2006 by Cisco Systems, Inc.
Compiled Tue 05-Sep-06 16:16 by sanjdas
    BOOT = bootflash:new_image,12;bootflash:old_image,12
    Configuration register = 0x822

```

```
Peer Processor Information :
-----
      Standby Location = slot 1
      Current Software state = STANDBY HOT
      Uptime in current state = 4 minutes
      Image Version = Cisco IOS Software, Catalyst 4500 L3 Switch Software
      (cat4500-ENTSERVICES-M), Version 12.2(31)SGA, RELEASE SOFTWARE (fc1)
      Technical Support: http://www.cisco.com/techsupport
      Copyright (c) 1986-2006 by Cisco Systems, Inc.
      Compiled Tue 05-Sep-06 16:16 by sanjdas
      BOOT = bootflash:old_image,12
      Configuration register = 0x822
```

## Stopping the ISSU Rollback Timer (Optional)

This optional task describes how to stop the rollback timer.

If you do not run the following procedure before the rollback timer “timeout,” the system automatically aborts the ISSU process and reverts to the original Cisco IOS software version. By default the rollback timer is 45 minutes.

Use the following information to decide what action you should take:

- If you want to retain your switch in this state for an extended period, you need to stop the rollback timer (then validate and run the **acceptversion** command directly).
- If you want to proceed to the following step (running “commitversion”) within the rollback timer window of 45 minutes, you do not need to stop the rollback timer.



### Note

The **issu acceptversion** command can be optionally executed after the **issu runversion** command.

	Command or Action	Purpose
Step 1	Switch> <b>enable</b>	Enables privileged EXEC mode. <ul style="list-style-type: none"> <li>• Enter your password if prompted.</li> </ul>
Step 2	Switch# <b>issu acceptversion active-slot</b> [active-image-new]	Halts the rollback timer and ensures the new Cisco IOS ISSU process is not automatically aborted during the ISSU process.  Enter the <b>issu acceptversion</b> command within the time period specified by the rollback timer to acknowledge that the supervisor engine has achieved connectivity to the outside world; otherwise, the ISSU process is terminated, and the system reverts to the previous version of Cisco IOS software by switching to the standby supervisor engine.
Step 3	Switch# <b>show issu rollback-timer</b>	Displays the amount of time left before an automatic rollback occurs.

This example displays the timer before you stop it. In the following example, the Automatic Rollback Time information indicates the amount of time remaining before an automatic rollback occurs.

```
Switch> enable
Switch# show issu rollback-timer
      Rollback Process State = In progress
```

```
Configured Rollback Time = 45:00
Automatic Rollback Time = 38:30
```

```
Switch# issu acceptversion 2 bootflash:new_image
% Rollback timer stopped. Please issue the commitversion command.
Switch# show issu rollback-timer
Rollback Process State = Not in progress
Configured Rollback Time = 45:00
```

## Loading New Cisco IOS Software on the New Standby Supervisor Engine

This task explains how to load new version of Cisco IOS software to the new standby supervisor engine.

Perform this task at the active supervisor engine:

	Command or Action	Purpose
Step 1	Switch> <b>enable</b>	Enables privileged EXEC mode. <ul style="list-style-type: none"> <li>Enter your password if prompted.</li> </ul>
Step 2	Switch# <b>issu commitversion</b> <i>standby-slot-number</i> <i>[standby-image-new]</i>	Allows the new Cisco IOS software image to be loaded into the standby supervisor engine.
Step 3	Switch# <b>show redundancy</b> [ <b>states</b> ]	Displays redundancy facility state information.
Step 4	Switch# <b>show issu state</b> [ <b>detail</b> ]	Displays the state of the during the ISSU process. At this point in the ISSU process, use this command to check that a switchover occurs to slot 2.

This example shows how to reset and reload the current standby supervisor engine (slot 1) with the new Cisco IOS software version. After entering the **commitversion** command, the standby supervisor engine boots in the Standby Hot state.

```
Switch> enable
Switch# issu commitversion 1 slavebootflash:new_image
```

Wait till standby supervisor is reloaded with the new image. Then apply the following:

```
Switch# show redundancy states
00:17:12: %RF-5-RF_TERMINAL_STATE: Terminal state reached for (SSO)
  my state = 13 -ACTIVE
  peer state = 8 -STANDBY HOT
    Mode = Duplex
    Unit = Secondary
  Unit ID = 2
```

```
Redundancy Mode (Operational) = Stateful Switchover
Redundancy Mode (Configured) = Stateful Switchover
Redundancy State = Stateful Switchover
Maintenance Mode = Disabled
  Manual Swact = enabled
  Communications = Up

  client count = 39
  client_notification_TMR = 240000 milliseconds
  keep_alive TMR = 9000 milliseconds
  keep_alive count = 0
  keep_alive threshold = 18
  RF debug mask = 0x0
```

```

Switch# show redundancy
Redundant System Information :
-----
    Available system uptime = 41 minutes
Switchovers system experienced = 1
    Standby failures = 1
    Last switchover reason = user forced

    Hardware Mode = Duplex
Configured Redundancy Mode = Stateful Switchover
Operating Redundancy Mode = Stateful Switchover
Maintenance Mode = Disabled
Communications = Up

Current Processor Information :
-----
    Active Location = slot 2
    Current Software state = ACTIVE
    Uptime in current state = 29 minutes
    Image Version = Cisco IOS Software, Catalyst 4500 L3 Switch Software
(cat4500-ENTSERVICES-M), Version 12.2(31)SGA, RELEASE SOFTWARE (fc1)
Technical Support: http://www.cisco.com/techsupport
Copyright (c) 1986-2006 by Cisco Systems, Inc.
Compiled Tue 05-Sep-06 16:16 by sanjdas
    BOOT = bootflash:new_image,12;bootflash:old_image,1;
    Configuration register = 0x822

Peer Processor Information :
-----
    Standby Location = slot 1
    Current Software state = STANDBY HOT
    Uptime in current state = 12 minutes
    Image Version = Cisco IOS Software, Catalyst 4500 L3 Switch Software
(cat4500-ENTSERVICES-M), Version 12.2(31)SGA, RELEASE SOFTWARE (fc1)
Technical Support: http://www.cisco.com/techsupport
Copyright (c) 1986-2006 by Cisco Systems, Inc.
Compiled Tue 05-Sep-06 16:16 by sanjdas
    BOOT = bootflash:new_image,12;bootflash:old_image,1;
    Configuration register = 0x822

Switch# show issu state detail
    Slot = 2
    RP State = Active
    ISSU State = Init
    Boot Variable = bootflash:new_image,12;bootflash:old_image,1;
    Operating Mode = Stateful Switchover
    Primary Version = N/A
    Secondary Version = N/A
    Current Version = bootflash:new_image

    Slot = 1
    RP State = Standby
    ISSU State = Init
    Boot Variable = bootflash:new_image,12;bootflash:old_image,1;
    Operating Mode = Stateful Switchover
    Primary Version = N/A
    Secondary Version = N/A
    Current Version = bootflash:new_image

```

The ISSU process has been completed. At this stage, any further Cisco IOS software version upgrade or downgrade requires that a new ISSU process be invoked.

## Using changeversion to Automate an ISSU Upgrade

This task describes how to use the **issu changeversion** command to perform a one step ISSU upgrade.

### Prerequisites

- Ensure that the new version of Cisco IOS software image is already present in the file system of both the active and standby supervisor engines. Also ensure that appropriate boot parameters (BOOT string and config-register) are set for the active and standby supervisor engines
- Optionally, perform additional tests and commands to determine the current state of peers and interfaces for later comparison.
- Ensure the system (both active and standby supervisor engines) is in SSO redundancy mode. If the system is in RPR mode, you can still upgrade the system using the ISSU CLI commands, but the system will experience extended packet loss during the upgrade.'

Refer to the Stateful Switchover document for more details on how to configure SSO mode on supervisor engines (refer to [Chapter 10, “Configuring Supervisor Engine Redundancy Using RPR and SSO on Supervisor Engine 6-E and Supervisor Engine 6L-E”](#) ).

- For ISSU to function, the IOS XE software image file names on the active and standby supervisor engines must match.

Perform the following steps at the active supervisor engine:

	Command or Action	Purpose
Step 1	Switch> <b>enable</b>	Enables privileged EXEC mode.  Enter your password if prompted.
Step 2	Switch# <b>issu changeversion</b> [ <i>active-slot</i> <i>active-image-new</i> ] [ <i>standby-slot</i> <i>standby-image-new</i> ] [ <b>at</b> <i>hh:mm</i>   <b>in</b> <i>hh:mm</i> ] [ <b>quick</b> ]	Initiates a single-step complete upgrade process cycle. Performs the logic of the four standard commands (issu loadversion, issu runversion, issu acceptversion, and issu commitversion) without user intervention.  <i>active-slot</i> —Defines the active slot number.  <i>new-image</i> —Specifies IOS XE image URL to be upgraded to.  <i>standby-slot</i> —Defines the standby slot number.  <i>standby-image</i> —Specifies the standby IOS XE image URL.  <b>at</b> <i>hh:mm</i> —Schedules an ISSU upgrade to begin in the future. Provides an exact time ( <i>hh:mm</i> , 24 hour format) in the next 24 hours when the upgrade will occur.  <b>in</b> <i>hh:mm</i> —Schedules an ISSU upgrade to begin in the future. Provides the number of hours and minutes ( <i>hh:mm</i> format) that will elapse before an upgrade will occur (99:59 max).  <b>quick</b> —Upon switchover, boots the standby supervisor engine with the new, rather than old, image for faster upgrade.

	Command or Action	Purpose
Step 3	Switch# <b>show issu state [detail]</b>	Displays the state of the during the ISSU process. At this point in the ISSU process, use this command to check that the standby supervisor engine is loaded and is in SSO mode.
Step 4	Switch# <b>show redundancy [states]</b>	Displays redundancy facility state information.

This example shows how to initiate an ISSU upgrade process using the `issu changeversion` command on slot number 5, the slot for the current active supervisor engine. The `show issu state detail` and `show redundancy` command output is included to show the supervisor state before and after the upgrade procedure.

**Note**

The success messages included in the output below is displayed after some delay because the ISSU upgrade procedure progresses through the ISSU states.

```
Switch> enable
Switch# show issu state detail
                Slot = 5
                RP State = Active
                ISSU State = Init
                Operating Mode = Stateful Switchover
                Current Image = bootflash:x.bin
                Pre-ISSU (Original) Image = N/A
                Post-ISSU (Targeted) Image = N/A

                Slot = 6
                RP State = Standby
                ISSU State = Init
                Operating Mode = Stateful Switchover
                Current Image = bootflash:x.bin
                Pre-ISSU (Original) Image = N/A
                Post-ISSU (Targeted) Image = N/A

Switch# show redundancy
Redundant System Information :

-----
                Available system uptime = 12 minutes
Switchovers system experienced = 0
                Standby failures = 0
                Last switchover reason = none

                Hardware Mode = Duplex
                Configured Redundancy Mode = Stateful Switchover
                Operating Redundancy Mode = Stateful Switchover
                Maintenance Mode = Disabled
                Communications = Up

Current Processor Information :
-----
                Active Location = slot 5
                Current Software state = ACTIVE
                Uptime in current state = 9 minutes
                Image Version = Cisco IOS Software, IOS-XE Software, Catalyst 4500 L3
Switch Software (cat4500e-UNIVERSALK9-M), Version 03.00.00.1.68 CISCO UNIVERSAL
DEVELOPMENT K10 IOSD TEST VERSION
Copyright (c) 1986-2010 by Cisco Systems, Inc.
Compiled Sun 29-Aug-10 03:57 by gsbuprod
                Configuration register = 0x2920
```

```
Peer Processor Information :
```

```
-----
```

```
          Standby Location = slot 6
          Current Software state = STANDBY HOT
          Uptime in current state = 2 minutes
          Image Version = Cisco IOS Software, IOS-XE Software, Catalyst 4500 L3
Switch Software (cat4500e-UNIVERSALK9-M), Version 03.00.00.1.68 CISCO UNIVERSAL
DEVELOPMENT K10 IOSD TEST VERSION
Copyright (c) 1986-2010 by Cisco Systems, Inc.
Compiled Sun 29-Aug-10 03:57 by gsbuprod
          Configuration register = 0x2920
```

```
Switch# issu changeversion bootflash:y.bin
% 'issu changeversion' is now executing 'issu loadversion'
% issu loadversion executed successfully, Standby is being reloaded
```

```
% changeversion finished executing loadversion, waiting for standby to reload and reach
SSO ...
```




---

**Note** Standby reloads with target image.

---

```
.....
.....
```

```
*Feb 25 20:41:00.479: %INSTALLER-7-ISSU_OP_SUCC:  issu changeversion is now executing
'issu runversion'
*Feb 25 20:41:03.639: %INSTALLER-7-ISSU_OP_SUCC:  issu changeversion successfully executed
'issu runversion'
```




---

**Note** Switchover occurs.

---

```
.....
.....
```

Look at the console of new active supervisor engine.

```
*Feb 25 20:47:39.859: %RF-5-RF_TERMINAL_STATE: Terminal state reached for (SSO)
*Feb 25 20:47:39.971: %INSTALLER-7-ISSU_OP_SUCC:  issu changeversion is now executing
'issu commitversion'
```

```
...
...
```




---

**Note** The new standby supervisor reloads with target image; changeversion is successful upon SSO terminal state is reached.

---

```
*Feb 25 20:54:16.092: %HA_CONFIG_SYNC-6-BULK_CFGSYNC_SUCCEED: Bulk Sync succeeded
*Feb 25 20:54:16.094: %RF-5-RF_TERMINAL_STATE: Terminal state reached for (SSO)
Switch#
```

```
Switch# show issu state detail
```

```
          Slot = 6
          RP State = Active
          ISSU State = Init
          Operating Mode = Stateful Switchover
          Current Image = bootflash:y.bin
          Pre-ISSU (Original) Image = N/A
```

```

Post-ISSU (Targeted) Image = N/A

        Slot = 5
        RP State = Standby
        ISSU State = Init
        Operating Mode = Stateful Switchover
        Current Image = bootflash:y.bin
Pre-ISSU (Original) Image = N/A
Post-ISSU (Targeted) Image = N/A

Switch# show redundancy
Redundant System Information :

-----
Available system uptime = 12 minutes
Switchovers system experienced = 0
Standby failures = 0
Last switchover reason = none

Hardware Mode = Duplex
Configured Redundancy Mode = Stateful Switchover
Operating Redundancy Mode = Stateful Switchover
Maintenance Mode = Disabled
Communications = Up

Current Processor Information :
-----
Active Location = slot 6
Current Software state = ACTIVE
Uptime in current state = 9 minutes
Image Version = Cisco IOS Software, IOS-XE Software, Catalyst 4500 L3
Switch Software (cat4500e-UNIVERSALK9-M), Version 03.00.00.1.68 CISCO UNIVERSAL
DEVELOPMENT K10 IOSD TEST VERSION
Copyright (c) 1986-2010 by Cisco Systems, Inc.
Compiled Sun 29-Aug-10 03:57 by gsbuprod
Configuration register = 0x2920

Peer Processor Information :
-----
Standby Location = slot 5
Current Software state = STANDBY HOT
Uptime in current state = 2 minutes
Image Version = Cisco IOS Software, IOS-XE Software, Catalyst 4500 L3
Switch Software (cat4500e-UNIVERSALK9-M), Version 03.00.00.1.68 CISCO UNIVERSAL
DEVELOPMENT K10 IOSD TEST VERSION
Copyright (c) 1986-2010 by Cisco Systems, Inc.
Compiled Sun 29-Aug-10 03:57 by gsbuprod
Configuration register = 0x2920

```

This example shows how to use `issu changeversion` with the `at` command option to schedule an ISSU upgrade procedure to automatically start at the specified time. This example specifies that the ISSU upgrade should be started at 16:30 (24 hour format). The **show issu state detail** and **show redundancy** command output is included to show the supervisor state before and after the **issu changeversion** command was entered.

```

Switch> enable
Switch# show issu state detail

        Slot = 5
        RP State = Active
        ISSU State = Init
        Operating Mode = Stateful Switchover
        Current Image = bootflash:x.bin
Pre-ISSU (Original) Image = N/A

```



```

Post-ISSU (Targeted) Image = N/A

        Slot = 6
        RP State = Standby
        ISSU State = Init
        Operating Mode = Stateful Switchover
        Current Image = bootflash:x.bin
Pre-ISSU (Original) Image = N/A
Post-ISSU (Targeted) Image = N/A

Switch# show redundancy
Redundant System Information :

-----
Available system uptime = 12 minutes
Switchovers system experienced = 0
Standby failures = 0
Last switchover reason = none

Hardware Mode = Duplex
Configured Redundancy Mode = Stateful Switchover
Operating Redundancy Mode = Stateful Switchover
Maintenance Mode = Disabled
Communications = Up

Current Processor Information :
-----
Active Location = slot 5
Current Software state = ACTIVE
Uptime in current state = 9 minutes
Image Version = Cisco IOS Software, IOS-XE Software, Catalyst 4500 L3
Switch Software (cat4500e-UNIVERSALK9-M), Version 03.00.00.1.68 CISCO UNIVERSAL
DEVELOPMENT K10 IOSD TEST VERSION
Copyright (c) 1986-2010 by Cisco Systems, Inc.
Compiled Sun 29-Aug-10 03:57 by gsbuprod
Configuration register = 0x2920

Peer Processor Information :
-----
Standby Location = slot 6
Current Software state = STANDBY HOT
Uptime in current state = 2 minutes
Image Version = Cisco IOS Software, IOS-XE Software, Catalyst 4500 L3
Switch Software (cat4500e-UNIVERSALK9-M), Version 03.00.00.1.68 CISCO UNIVERSAL
DEVELOPMENT K10 IOSD TEST VERSION
Copyright (c) 1986-2010 by Cisco Systems, Inc.
Compiled Sun 29-Aug-10 03:57 by gsbuprod
Configuration register = 0x2920

Switch# issu changeversion 5 bootflash:y.bin 6 slavebootflash:y at 16:30
% 'issu changeversion' was executed at [ Apr 12 16:27:43 ].
% The planned ISSU changeversion is to occur in (hh:mm:ss) [ 00:03:00 ] at [ Apr 12
16:30:43 ].
% Current system time: [ Apr 12 16:27:43 ]
% Planned upgrade image: bootflash:y.bin
% To cancel the planned upgrade, please execute 'issu abortversion'

Switch# show issu state detail

        Slot = 5
        RP State = Active
        ISSU State = Init
        Changeversion = TRUE
Operating Mode = Stateful Switchover
Current Image = bootflash:x.bin

```

```

Pre-ISSU (Original) Image = N/A
Post-ISSU (Targeted) Image = N/A

Slot = 6
RP State = Standby
ISSU State = Init
Changeversion = TRUE
Operating Mode = Stateful Switchover
Current Image = bootflash:x.bin
Pre-ISSU (Original) Image = N/A
Post-ISSU (Targeted) Image = N/A

```

## Aborting a Software Upgrade During ISSU

You can abort the ISSU process at any stage manually (prior to entering the **issu commitversion** command) by entering the **issu abortversion** command. The ISSU process also aborts on its own if the software detects a failure.



### Note

If you enter the **issu abortversion** command before the standby supervisor engine becomes hot, the traffic might be disrupted.

If you abort the process after you enter the **issu loadversion** command, the standby supervisor engine is reset and reloaded with the original software.

If the process is aborted after you enter either the **issu runversion** or **issu acceptversion** command, then a second switchover is performed to the new standby supervisor engine that is still running the original software version. The supervisor engine that had been running the new software is reset and reloaded with the original software version.



### Note

Ensure that the standby supervisor engine is fully booted *before* entering the **abortversion** command on an active supervisor engine.

The following task describes how to abort the ISSU process before you complete the ISSU process with the **issu commitversion** command.

Perform the following task on the active supervisor engine:

	Command or Action	Purpose
Step 1	Switch> <b>enable</b>	Enables privileged EXEC mode. <ul style="list-style-type: none"> <li>Enter your password if prompted.</li> </ul>
Step 2	Switch# <b>issu abortversion</b> <i>active slot</i> <i>[active-image-new]</i>	Cancels the ISSU upgrade or downgrade process in progress and restores the router to its state before the process had started.

This example shows how to abort the ISSU process on slot number 2, the slot for the current active supervisor engine:

```

Switch> enable
Switch# issu abortversion 2

```

## Configuring the Rollback Timer to Safeguard Against Upgrade Issues

Cisco IOS software maintains an ISSU rollback timer, to safeguard against an upgrade that may leave the new active supervisor engine in a state in which communication with the standby supervisor engine is severed.

You may want to configure the rollback timer to fewer than 45 minutes (the default) so that the user need not wait in case the new software is not committed or the connection to the switch was lost while it was in runversion mode. A user may want to configure the rollback timer to more than 45 minutes in order to have enough time to verify the operation of the new Cisco IOS software before committing the new image.


**Note**

The valid timer value range is from 0 to 7200 seconds (two hours). A value of 0 seconds disables the rollback timer.

Once you are satisfied that the ISSU process has been successful and you want to remain in the current state, you must indicate acceptance by entering the **issu acceptversion** command, which stops the rollback timer. Entering the **issu acceptversion** command is extremely important in advancing the ISSU process.

Entering the **issu commitversion** command at this stage is equal to entering both the **issu acceptversion** and the **issu commitversion** commands. Use the **issu commitversion** command if you do not intend to run in the current state now and are satisfied with the new software version.


**Note**

The rollback timer can be configured only in the ISSU Init state.

Perform this task to configure the rollback timer:

	Command or Action	Purpose
Step 1	Switch> <b>enable</b>	Enables privileged EXEC mode. <ul style="list-style-type: none"> <li>• Enter your password if prompted.</li> </ul>
Step 2	Switch# <b>configure terminal</b>	Enters global configuration mode.
Step 3	Switch(config)# <b>issu set rollback-timer</b> <i>hh:mm:ss</i>	Configures the rollback timer value.
Step 4	Switch(config)# <b>exit</b>	Returns the user to privileged EXEC mode.
Step 5	Switch# <b>show issu rollback-timer</b>	Displays the current setting of the ISSU rollback timer.

This example shows how to set the rollback timer to 3600 seconds:

```
Switch> enable
Switch# configure terminal
Enter configuration commands, one per line. End with CNTL/Z.
Switch(config)# issu set rollback-timer 3600
% Rollback timer value set to [ 3600 ] seconds

Switch(config)# exit

Switch# show issu rollback-timer
Rollback Process State = Not in progress
Configured Rollback Time = 60:00
```

The rollback timer cannot be set in LV state, as the following example illustrates:

```
Switch# show issu state detail
      Slot = 1
      RP State = Active
      ISSU State = Load Version
      Boot Variable = bootflash:old_image,12
      Operating Mode = RPR
      Primary Version = bootflash:old_image
      Secondary Version = bootflash:new_image
      Current Version = bootflash:old_image

      Slot = 2
      RP State = Standby
      ISSU State = Load Version
      Boot Variable = bootflash:new_image,12;bootflash:old_image,12
      Operating Mode = RPR
      Primary Version = bootflash:old_image
      Secondary Version = bootflash:new_image
      Current Version = bootflash:new_image

Switch# show issu rollback-timer
      Rollback Process State = Not in progress
      Configured Rollback Time = 60:00

Switch# configure terminal
Enter configuration commands, one per line. End with CNTL/Z.
Switch(config)# issu set rollback-timer 20
% ISSU state should be [ init ] to set the rollback timer
```

## Displaying ISSU Compatibility Matrix Information

The ISSU compatibility matrix contains information about other software images about the version in question. This compatibility matrix represents the compatibility of the two software versions, one running on the active and the other on the standby supervisor engine, and the matrix allows the system to determine the highest operating mode it can achieve. This information helps the user identify whether to use ISSU.

Perform this task to display information about the ISSU compatibility matrix:

	Command or Action	Purpose
Step 1	Switch> <b>enable</b>	Enables privileged EXEC mode. <ul style="list-style-type: none"> <li>Enter your password if prompted.</li> </ul>
Step 2	Switch# <b>show issu comp-matrix</b> { <b>negotiated</b>   <b>stored</b>   <b>xml</b> }	Displays information regarding the ISSU compatibility matrix. <ul style="list-style-type: none"> <li><b>negotiated</b>—Displays negotiated compatibility matrix information.</li> <li><b>stored</b>—Displays negotiated compatibility matrix information.</li> <li><b>xml</b>—Displays negotiated compatibility matrix information in XML format.</li> </ul>

This example shows how to display negotiated information regarding the compatibility matrix:

```
Switch> enable
Switch# show issu comp-matrix negotiated

CardType: WS-C4507R(112), Uid: 2, Image Ver: 12.2(31)SGA
Image Name: cat4500-ENTSERVICES-M
```

Cid	Eid	Sid	pSid	pUid	Compatibility
2	1	262151	3	1	COMPATIBLE
3	1	262160	5	1	COMPATIBLE
4	1	262163	9	1	COMPATIBLE
5	1	262186	25	1	COMPATIBLE
7	1	262156	10	1	COMPATIBLE
8	1	262148	7	1	COMPATIBLE
9	1	262155	1	1	COMPATIBLE
10	1	262158	2	1	COMPATIBLE
11	1	262172	6	1	COMPATIBLE
100	1	262166	13	1	COMPATIBLE
110	113	262159	14	1	COMPATIBLE
200	1	262167	24	1	COMPATIBLE
2002	1	-	-	-	UNAVAILABLE
2003	1	262185	23	1	COMPATIBLE
2004	1	262175	16	1	COMPATIBLE
2008	1	262147	26	1	COMPATIBLE
2008	1	262168	27	1	COMPATIBLE
2010	1	262171	32	1	COMPATIBLE
2012	1	262180	31	1	COMPATIBLE
2021	1	262170	41	1	COMPATIBLE
2022	1	262152	42	1	COMPATIBLE
2023	1	-	-	-	UNAVAILABLE
2024	1	-	-	-	UNAVAILABLE
2025	1	-	-	-	UNAVAILABLE
2026	1	-	-	-	UNAVAILABLE
2027	1	-	-	-	UNAVAILABLE
2028	1	-	-	-	UNAVAILABLE
2054	1	262169	8	1	COMPATIBLE
2058	1	262154	29	1	COMPATIBLE
2059	1	262179	30	1	COMPATIBLE
2067	1	262153	12	1	COMPATIBLE
2068	1	196638	40	1	COMPATIBLE
2070	1	262145	21	1	COMPATIBLE
2071	1	262178	11	1	COMPATIBLE
2072	1	262162	28	1	COMPATIBLE
2073	1	262177	33	1	COMPATIBLE
2077	1	262165	35	1	COMPATIBLE
2078	1	196637	34	1	COMPATIBLE
2079	1	262176	36	1	COMPATIBLE
2081	1	262150	37	1	COMPATIBLE
2082	1	262161	39	1	COMPATIBLE
2083	1	262184	20	1	COMPATIBLE
2084	1	262183	38	1	COMPATIBLE
4001	101	262181	17	1	COMPATIBLE
4002	201	262164	18	1	COMPATIBLE
4003	301	262182	19	1	COMPATIBLE
4004	401	262146	22	1	COMPATIBLE
4005	1	262149	4	1	COMPATIBLE

Message group summary:

Cid	Eid	GrpId	Sid	pSid	pUid	Nego Result
2	1	1	262151	3	1	Y
3	1	1	262160	5	1	Y
4	1	1	262163	9	1	Y
5	1	1	262186	25	1	Y

7	1	1	262156	10	1	Y
8	1	1	262148	7	1	Y
9	1	1	262155	1	1	Y
10	1	1	262158	2	1	Y
11	1	1	262172	6	1	Y
100	1	1	262166	13	1	Y
110	113	115	262159	14	1	Y
200	1	1	262167	24	1	Y
2002	1	2	-	-	-	N - did not negotiate
2003	1	1	262185	23	1	Y
2004	1	1	262175	16	1	Y
2008	1	1	262147	26	1	Y
2008	1	2	262168	27	1	Y
2010	1	1	262171	32	1	Y
2012	1	1	262180	31	1	Y
2021	1	1	262170	41	1	Y
2022	1	1	262152	42	1	Y
2023	1	1	-	-	-	N - did not negotiate
2024	1	1	-	-	-	N - did not negotiate
2025	1	1	-	-	-	N - did not negotiate
2026	1	1	-	-	-	N - did not negotiate
2027	1	1	-	-	-	N - did not negotiate
2028	1	1	-	-	-	N - did not negotiate
2054	1	1	262169	8	1	Y
2058	1	1	262154	29	1	Y
2059	1	1	262179	30	1	Y
2067	1	1	262153	12	1	Y
2068	1	1	196638	40	1	Y
2070	1	1	262145	21	1	Y
2071	1	1	262178	11	1	Y
2072	1	1	262162	28	1	Y
2073	1	1	262177	33	1	Y
2077	1	1	262165	35	1	Y
2078	1	1	196637	34	1	Y
2079	1	1	262176	36	1	Y
2081	1	1	262150	37	1	Y
2082	1	1	262161	39	1	Y
2083	1	1	262184	20	1	Y
2084	1	1	262183	38	1	Y
4001	101	1	262181	17	1	Y
4002	201	1	262164	18	1	Y
4003	301	1	262182	19	1	Y
4004	401	1	262146	22	1	Y
4005	1	1	262149	4	1	Y

## List of Clients:

Cid	Client Name	Base/Non-Base
2	ISSU Proto client	Base
3	ISSU RF	Base
4	ISSU CF client	Base
5	ISSU Network RF client	Base
7	ISSU CONFIG SYNC	Base
8	ISSU ifIndex sync	Base
9	ISSU IPC client	Base
10	ISSU IPC Server client	Base
11	ISSU Red Mode Client	Base
100	ISSU rfs client	Base
110	ISSU ifs client	Base
200	ISSU Event Manager client	Base
2002	CEF Push ISSU client	Base
2003	ISSU XDR client	Base
2004	ISSU SNMP client	Non-Base
2008	ISSU Tableid Client	Base

```

2010    ARP HA                               Base
2012    ISSU HSRP Client                     Non-Base
2021    XDR Int Priority ISSU cliBase
2022    XDR Proc Priority ISSU clBase
2023    FIB HWIDB ISSU client               Base
2024    FIB IDB ISSU client                 Base
2025    FIB HW subblock ISSU clieBase
2026    FIB SW subblock ISSU clieBase
2027    Adjacency ISSU client               Base
2028    FIB IPV4 ISSU client                 Base
2054    ISSU process client                  Base
2058    ISIS ISSU RTR client                 Non-Base
2059    ISIS ISSU UPD client                 Non-Base
2067    ISSU PM Client                       Base
2068    ISSU PAGP_SWITCH Client              Non-Base
2070    ISSU Port Security clientNon-Base
2071    ISSU Switch VLAN client              Non-Base
2072    ISSU dot1x client                     Non-Base
2073    ISSU STP                             Non-Base
2077    ISSU STP MSTP                       Non-Base
2078    ISSU STP IEEE                        Non-Base
2079    ISSU STP RSTP                       Non-Base
2081    ISSU DHCP Snooping clientNon-Base
2082    ISSU IP Host client                   Non-Base
2083    ISSU Inline Power client Non-Base
2084    ISSU IGMP Snooping clientNon-Base
4001    ISSU C4K Chassis client              Base
4002    ISSU C4K Port client                 Base
4003    ISSU C4K Rkios client                 Base
4004    ISSU C4K HostMan client              Base
4005    ISSU C4k GaliosRedundancyBase

```

This example shows how to display stored information regarding the compatibility matrix:

```
Switch# show issu comp-matrix stored
```

```
Number of Matrices in Table = 1
```

```
(1) Matrix for cat4500-ENTSERVICES-M(112) - cat4500-ENTSERVICES-M(112)
```

```
=====
Start Flag (0xDEADBABE)
```

```

My Image ver: 12.2(53)SG
Peer Version   Compatibility
-----
12.2(31)SGA5   Base(2)
12.2(44)SG     Base(2)
12.2(31)SGA6   Base(2)
12.2(31)SGA7   Base(2)
12.2(46)SG     Base(2)
12.2(44)SG1    Base(2)
12.2(31)SGA8   Base(2)
12.2(50)SG     Dynamic(0)
12.2(31)SGA9   Base(2)
12.2(50)SG1    Dynamic(0)
12.2(50)SG2    Dynamic(0)
12.2(52)SG     Dynamic(0)
12.2(31)SGA10  Base(2)
12.2(50)SG3    Dynamic(0)
12.2(53)SG     Comp(3)

```

Dynamic(0) was introduced in Cisco IOS Release 12.2(50)SG with the Dynamic Image Version Compatibility (DIVC) feature. With DIVC, Dynamic(0) is stored instead of Incomp(1), Base(2), or Comp(3). Compatibility is determined during runtime when two different DIVC-capable images are running in the active and standby supervisor engines during ISSU.

For Catalyst 4500 switches, a value of Dynamic(0) in the stored compatibility-matrix normally results in Base(2) or Comp(3) upon rollback negotiation between the two images. You never observe Incomp(1) as long as the other image name is present in the stored compatibility matrix.

## Displaying ISSU Compatibility Matrix Information

The ISSU compatibility matrix contains information about other IOS XE software releases and the version in question. This compatibility matrix represents the compatibility of the two software versions, one running on the active and the other on the standby supervisor engine, and the matrix allows the system to determine the highest operating mode it can achieve. This information helps the user identify whether to use ISSU.

This task shows how to display information about the ISSU compatibility matrix:

	Command or Action	Purpose
<b>Step 1</b>	Switch> <b>enable</b>	Enables privileged EXEC mode. Enter your password if prompted.
<b>Step 2</b>	Switch# <b>show issu comp-matrix</b> { <b>negotiated</b>   <b>stored</b>   <b>xml</b> }	Displays information regarding the ISSU compatibility matrix. <ul style="list-style-type: none"> <li>• <b>negotiated</b>—Displays negotiated compatibility matrix information.</li> <li>• <b>stored</b>—Displays negotiated compatibility matrix information.</li> <li>• <b>xml</b>—Displays negotiated compatibility matrix information in XML format.</li> </ul> <p><b>Note</b> These commands display only the data within IOSd process. Use the show package compatibility to display the information for the whole system.</p>
<b>Step 3</b>	Switch# <b>show package compatibility</b>	Displays information regarding all client compatibility in the system.

This example shows how to display negotiated information regarding the compatibility matrix:

```
Switch> enable
Switch# show issu comp-matrix negotiated

CardType: WS-C4507R-E(182), Uid: 4, Image Ver: 03.00.00.1.68
Image Name: cat4500e-UNIVERSALK9-M

Cid      Eid      Sid      pSid    pUid    Compatibility
=====
2        1        131078   3        3        COMPATIBLE
3        1        131100   5        3        COMPATIBLE
4        1        131123   9        3        COMPATIBLE
.....
.....
```



```

Message group summary:
Cid      Eid      GrpId     Sid      pSid     pUId     Nego Result
=====
2        1        1         131078   3        3        Y
3        1        1         131100   5        3        Y
4        1        1         131123   9        3        Y
.....
.....

List of Clients:
Cid      Client Name          Base/Non-Base
=====
2        ISSU Proto client    Base
3        ISSU RF              Base
4        ISSU CF client       Base
.....
.....

```

This example shows how to display stored information regarding the compatibility matrix:

```
Switch# show issu comp-matrix stored
```

```
Number of Matrices in Table = 1
```

```

(1) Matrix for cat4500e-ENTSERVICESK9-M(182) - cat4500ex-ENTSERVICESK9-M(182)
=====
Start Flag (0xDEADBABE)

          My Image ver: 03.01.00.SG
          Peer Version   Compatibility
          -----
          03.01.00.SG           Comp(3)

```

```
Switch#
```

With Dynamic Image Version Compatibility (DIVC), Dynamic(0) is stored instead of Incomp(1), Base(2), or Comp(3). Compatibility is determined during runtime when two different DIVC-capable images are running in the active and standby supervisor engines during ISSU.

For Catalyst 4500 switches, a value of Dynamic(0) in the stored compatibility-matrix normally results in Base(2) or Comp(3) upon run-time negotiation between the two software images. You never observe Incomp(1) as long as the other image name is present in the stored compatibility matrix.

This example shows how to display negotiated information regarding non-IOSd clients:

```
Switch# show package compatibility
```

```

PackageName      PeerPackageName      ModuleName      Compatibility
-----
rp_base          rp_base              aaa             COMPATIBLE
rp_base          rp_base              aaacommon      COMPATIBLE
rp_base          rp_base              access_policy  COMPATIBLE
rp_base          rp_base              app_sess       COMPATIBLE
rp_base          rp_base              app_sess_ios   COMPATIBLE
rp_base          rp_base              auth_mgr       COMPATIBLE
.....
.....

```

## Related Documents

Related Topic	Document Title
Performing ISSU	<i>Cisco IOS Software: Guide to Performing In Service Software Upgrades</i>
Information about Cisco Nonstop Forwarding	<i>Cisco Nonstop Forwarding</i> <a href="http://www.cisco.com/en/US/docs/ios/12_2s/feature/guide/fsnsf20s.html">http://www.cisco.com/en/US/docs/ios/12_2s/feature/guide/fsnsf20s.html</a>
Information about Stateful Switchover	<i>Stateful Switchover</i> <a href="http://www.cisco.com/en/US/docs/ios/12_0s/feature/guide/sso120s.html">http://www.cisco.com/en/US/docs/ios/12_0s/feature/guide/sso120s.html</a>
ISSU and MPLS clients	ISSU MPLS Clients