



Mount the Chassis

- [Unpack and Inspect the Chassis, on page 1](#)
- [Desktop-Mount the Chassis, on page 2](#)
- [Wall-Mount the Chassis, on page 2](#)
- [Rack-Mount the Chassis, on page 5](#)

Unpack and Inspect the Chassis



Note The chassis is thoroughly inspected before shipment. If any damage occurred during transportation or any items are missing, contact your customer service representative immediately. Keep the shipping container in case you need to send the chassis back due to damage.

Procedure

- Step 1** Remove the chassis from its cardboard container and save all packaging material.
- Step 2** Compare the shipment to the equipment list provided by your customer service representative. Verify that you have all items.
- Step 3** Check for damage and report any discrepancies or damage to your customer service representative. Have the following information ready:
- Invoice number of shipper (see the packing slip)
 - Model and serial number of the damaged unit
 - Description of damage
 - Effect of damage on the installation
-

Desktop-Mount the Chassis

You can mount the chassis on a desktop by placing it on a desk in a horizontal position. To prevent interference with the airflow through the system, make sure there are no blockages or obstructions within 2 inches of the intake and exhaust sides. Do not remove the rubber feet included with the chassis. They are also needed for proper cooling.

Figure 1: Desk-Top Mount the Chassis



Caution Do not stack one chassis on top of another chassis. If you stack the units, they overheat, which causes the units to power cycle.

What to do next

Install the cables according to your default software configuration as described in the [Cisco Secure Firewall 1210/20 Threat Defense Getting Started Guide](#).

Wall-Mount the Chassis

You can purchase an optional wall-mount kit. You can wall-mount the chassis left-, or rear panel-side up. You can use the wall-mount bracket to mark the holes for mounting it on the wall. The wall-mount bracket is 8.9 x 6.5 x 0.378 inches (22.672 x 16.512 x .96 cm). You need to make two level marks on the wall where you want to hang the chassis. For vertical orientation (rear panel up), the holes should be 5.575 inches (14.160 cm) inches apart. For horizontal orientation, the holes should be 8 inches (20.32 cm) apart.

The wall-mount kit contains the following items:

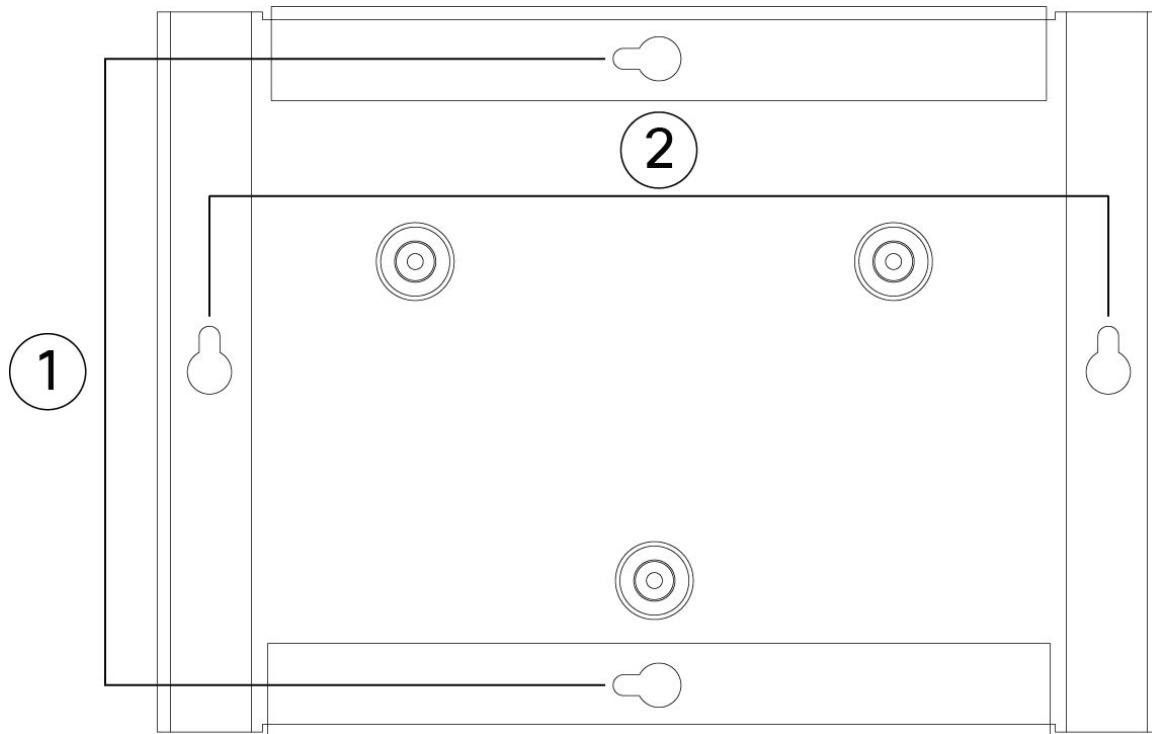
- Wall-mount bracket
- Three Phillips M3 x 0.5 x 5.2-mm screws
- Two Phillips #6 x 1¼-inch screws
- One #8 wall anchor kit with screws

Follow these steps to mount your chassis on a wall.

Procedure

- Step 1** Choose an orientation (left-, right-, or rear panel-side up) and a location on the wall for the chassis.
- Step 2** Use a pencil, ruler, and level to mark locations for the two mounting screws (#6 x 1¼ inch). You can use the wall-mount bracket itself to mark either the top holes or the side holes.

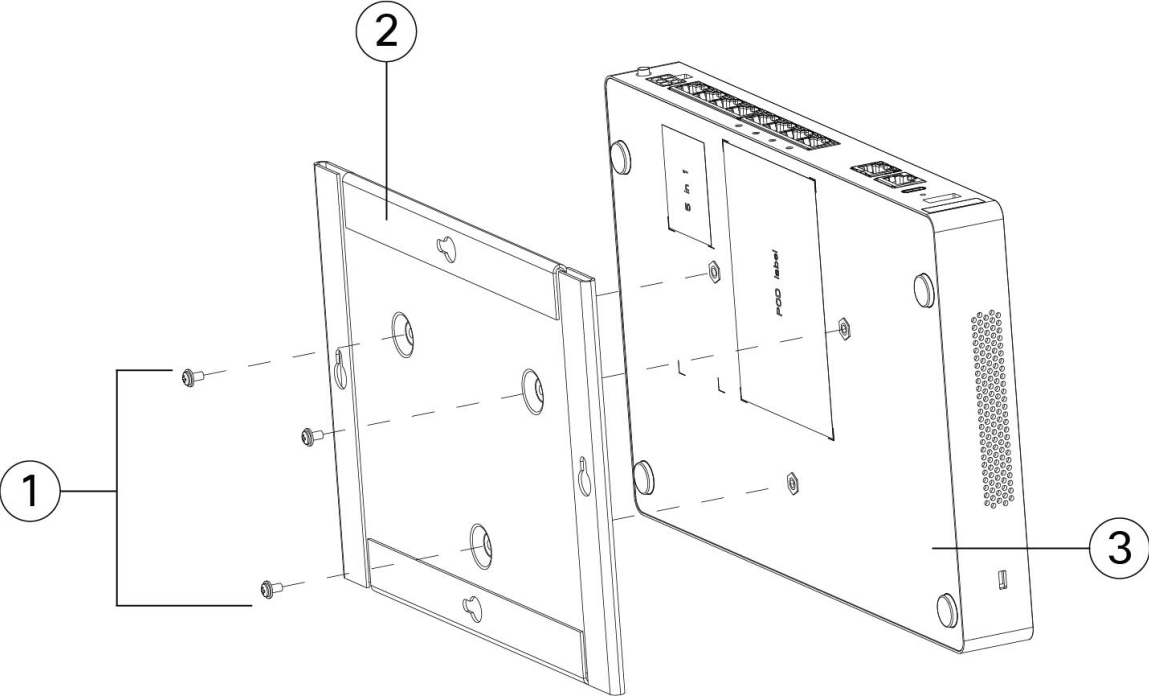
Figure 2: Wall-Mount Bracket



| | | | |
|---|---------------------|---|-------------------|
| 1 | Horizontal mounting | 2 | Vertical mounting |
|---|---------------------|---|-------------------|

- Step 3** Attach the wall-mount bracket to the chassis using the three Phillips M3 x 0.5 x 5.2-mm screws.

Figure 3: Attach the Wall-Mount Bracket to the Chassis



| | | | |
|---|---|---|--------------------|
| 1 | Three Phillips M3 x 0.5 x 5.2-mm screws | 2 | Wall-mount bracket |
| 3 | Bottom of the chassis | | — |

Step 4 Use the two #6 x 1/4-inch screws to drill into a stud, or use the anchors (#8 wall screw) from the dry-wall kit to hang it into dry wall.

If you are mounting the chassis onto something other than drywall, such as wood or sheet metal, anchors may not be required.

Step 5 Drill a hole into the wall at each mark that you made in Step 2.

These holes should be slightly smaller in diameter than anchors if you are using them. The recommended drill hole size is 3/16 inches.

Step 6 Insert the anchors into the holes if needed, and be sure they are properly seated.

Step 7 Fasten each screw into its anchor until it protrudes about 1/4 inch.

Step 8 Pick up the chassis, align the screws in the anchors with the holes in the bottom of the wall-mount bracket, move the chassis toward the wall until the screw heads are in the wall-mount bracket, and then slide it down until it rests on the screws.

Caution Do not mount the chassis with the rear panel facing downward. This orientation is not supported.

Step 9 To uninstall the chassis from the wall mount, slide the wall-mounted chassis from the wall, and remove the three screws from the bottom of the chassis.

What to do next

Install the cables according to your default software configuration as described in the [Cisco Secure Firewall 1210/20 Threat Defense Getting Started Guide](#).

Rack-Mount the Chassis

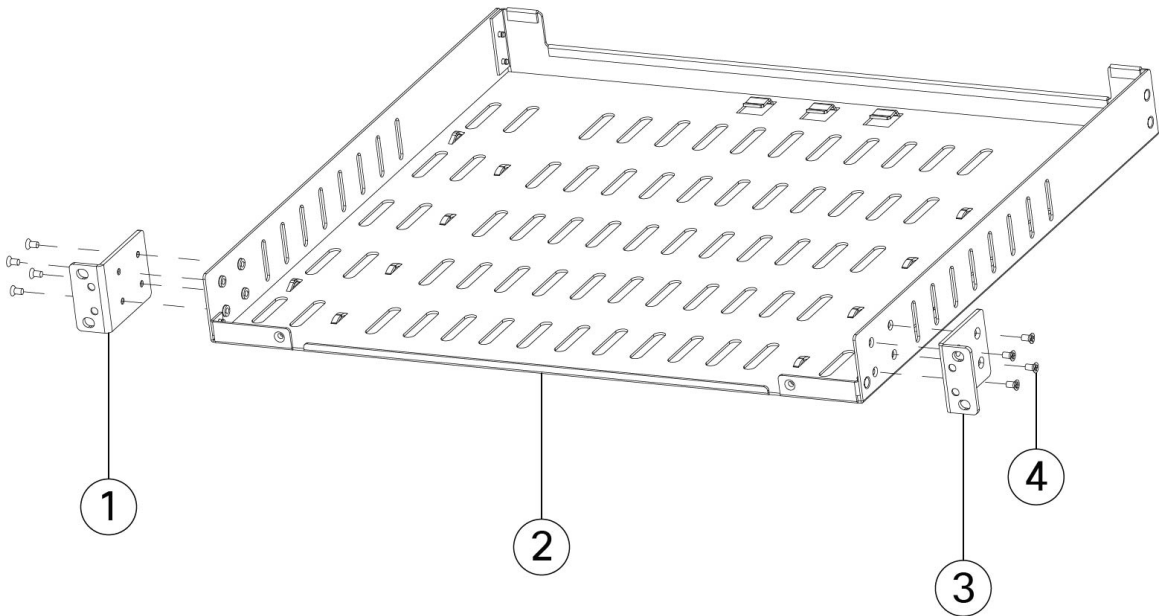
You can mount the chassis into a 1-RU space in a 19-inch EIA rack using the rack-mount shelf. The rack-mount shelf is 1.72 x 18.97 x 16.09 inches (H x W x D) (4.368 x 48.1838 x 40.8686 cm). The rack-mount kit contains the following items:

- Rack shelf
- Sliding rack tray
- Two rack-mount brackets
- Two rack-mount screws that you supply to install the sliding rack tray/shelf into your rack.
- Eight Phillips 6-32 x 25-inch screws; use these screws to secure the brackets to the rack shelf.
- Four Phillips 12-24 x 0.75-inch screws; use these screws to secure the sliding-rack tray to the chassis.

Procedure

Step 1 Install the rack-mount brackets on the rack-shelf tray.

Figure 4: Install the Rack-Mount Brackets onto the Rack Shelf



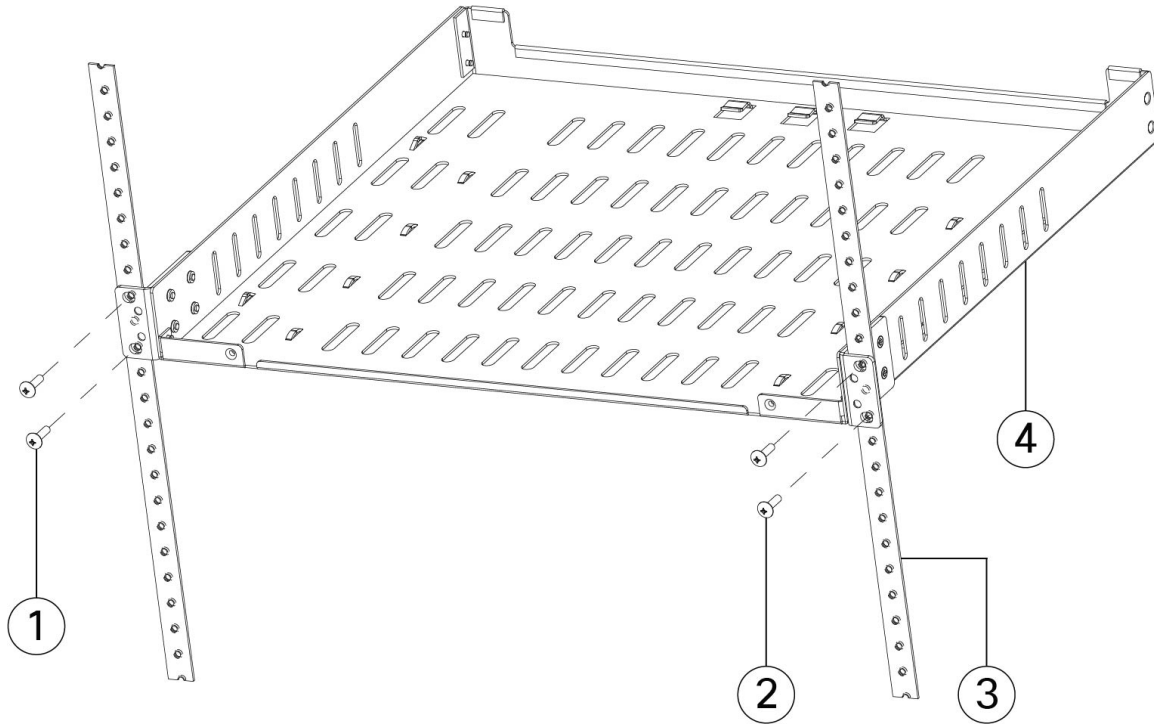
| | | | |
|---|--------------------|---|------------|
| 1 | Rack-mount bracket | 2 | Rack shelf |
|---|--------------------|---|------------|

| | | | |
|---|--------------------|---|---|
| 3 | Rack-mount bracket | 4 | Four Phillips 6-32 x 25-inch screws for each rack-mount bracket |
|---|--------------------|---|---|

Step 2

Install the rack shelf into the rack.

Figure 5: Install the Rack Shelf into the Rack



| | | | |
|---|--|---|--|
| 1 | Rack screws (you supply the screws that fit your rack) | 2 | Rack screws (you supply the screws that fit your rack) |
| 3 | Rack | 4 | Rack shelf |

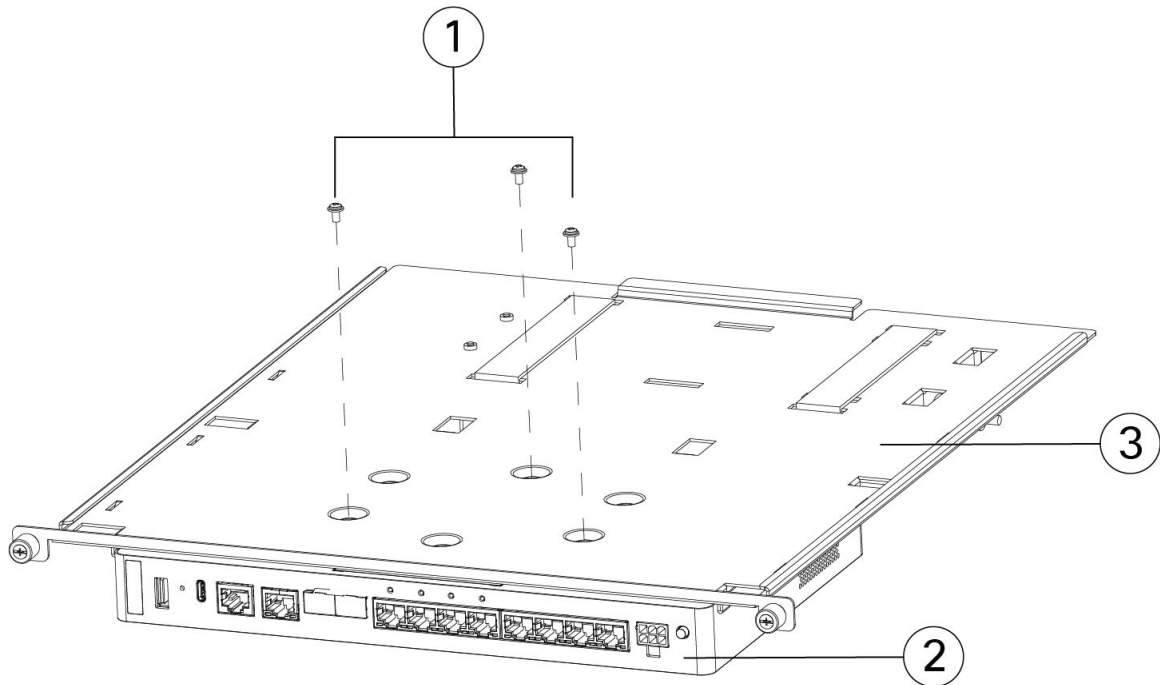
Step 3

Place the chassis with the top facing down on a large, stable work area.

Step 4

Invert the sliding rack tray and position it on the chassis. You can mount the chassis with the front or rear panel facing front.

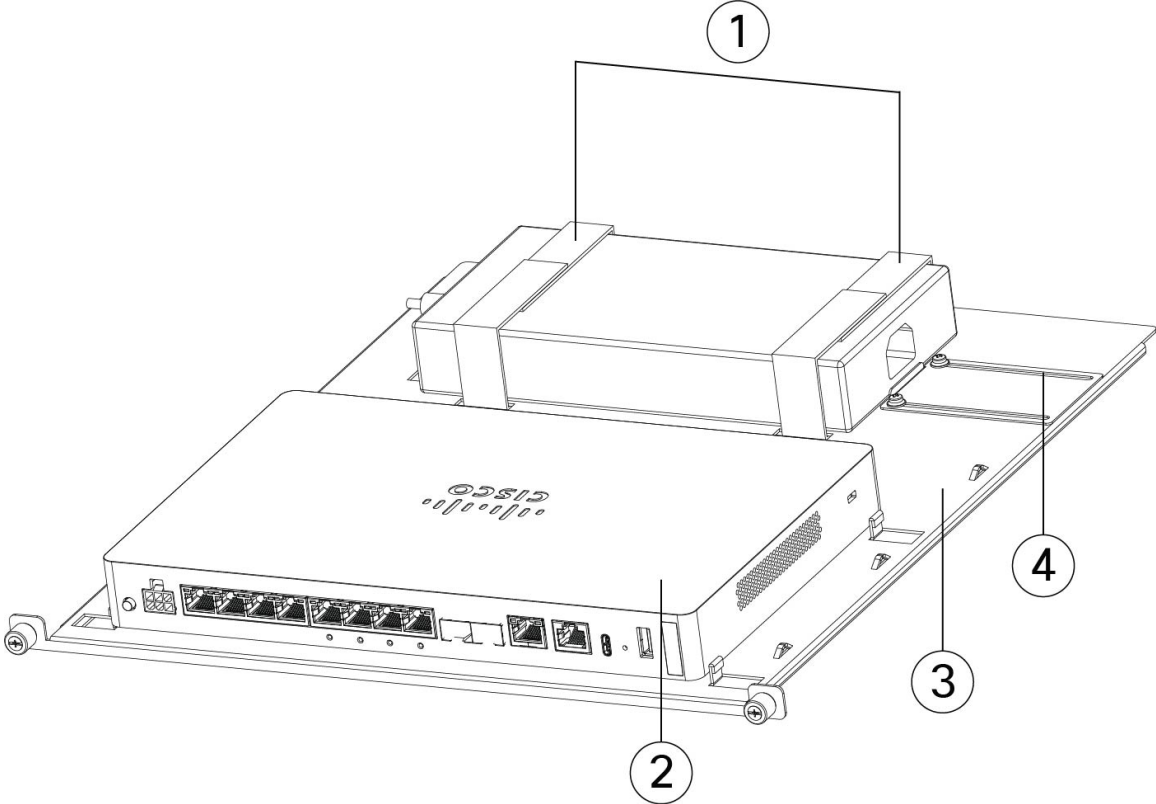
Figure 6: Install the Sliding Rack Tray on the Chassis



| | | | |
|---|---|---|---|
| 1 | Three Phillips M3 x 0.5 x 5.2-mm screws | 2 | Chassis with rear panel facing (I/O side) Note You can also install the chassis with the front panel facing |
| 3 | Sliding rack tray | — | |

- Step 5** Adjust the position of the chassis and the sliding rack tray until the three mounting holes in the dimples in the bottom of the sliding rack tray are aligned with the mounting holes in the bottom of the chassis.
- Step 6** Tighten the three Phillips M3 x 0.5 x 5.2-mm screws to lock the chassis into place on the sliding rack tray (see the figure above).
- Step 7** Carefully turn the sliding rack tray right-side up.
- Step 8** Install the power supply in the sliding rack tray behind the chassis and tighten the Velcro straps to fit.

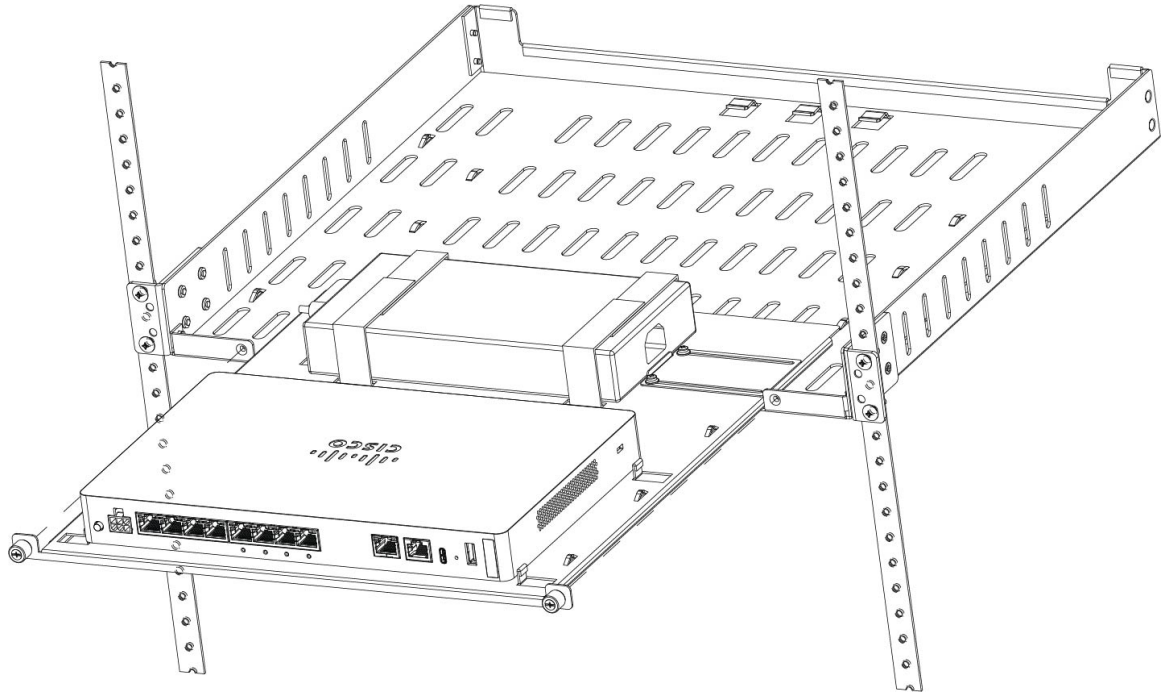
Figure 7: Install the Power Supply in the Sliding Rack Tray and Tighten the Velcro Straps



| | | | |
|---|---------------------------------|---|---|
| 1 | Power supply with Velcro straps | 2 | Chassis |
| 3 | Sliding rack tray | 4 | Slider to fix different size power supplies |

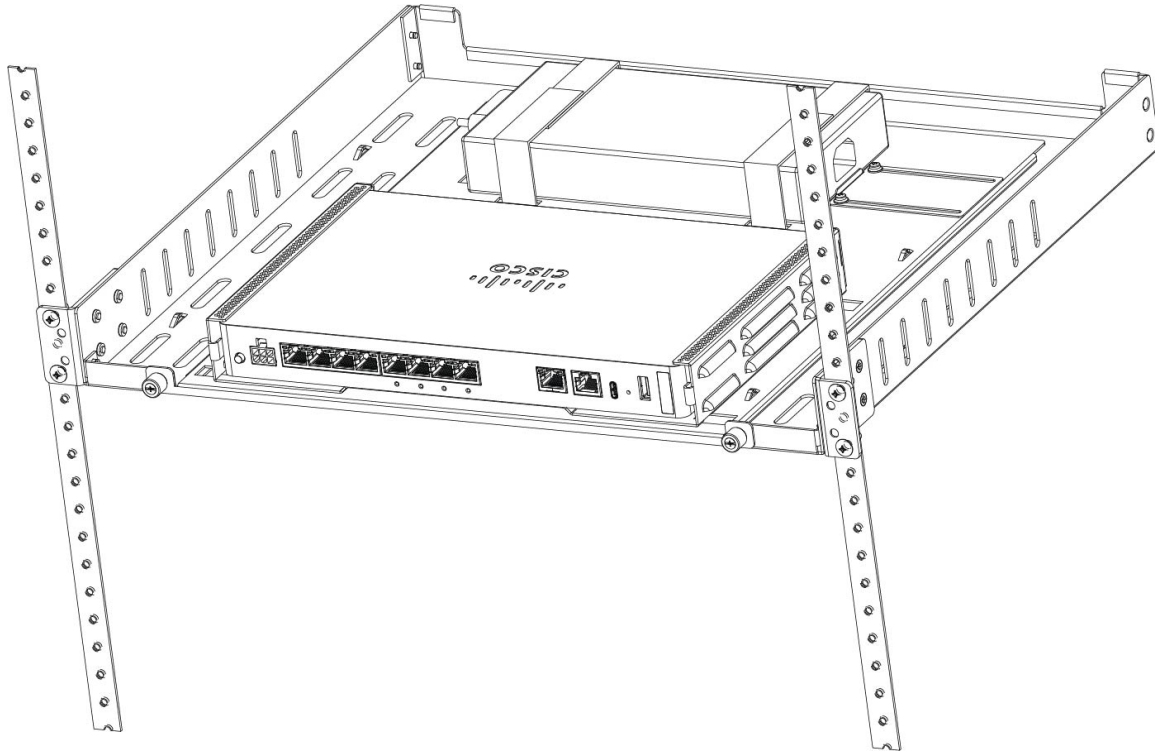
Step 9 Slide the sliding rack tray into the rack shelf.

Figure 8: Slide the Sliding Rack Tray Into the Rack Shelf



Step 10 The chassis is now installed in the sliding rack tray, which is installed in the rack shelf.

Figure 9: Sliding Rack Tray Installed in Rack Shelf



What to do next

Install the cables according to your default software configuration as described in the [Cisco Secure Firewall 1210/20 Threat Defense Getting Started Guide](#).