



# Start Here: Cisco Firepower 1010

The Firepower 1010 supports either Firepower Threat Defense (FTD) or Adaptive Security Appliance (ASA) software, and your hardware comes preinstalled with one of these systems. To reimage to the other system, see: <https://cisco.com/go/asa-ftd-reimage>. (To determine which system you have, follow either the FTD or ASA instructions until you log into the on-device manager; the manager indicates which system you have.) This document tells how to cable and set up the Firepower 1010 using the following managers, depending on your software:

- **FTD with FDM**—Manage the FTD using Firepower Device Manager (FDM) (a simplified, single device manager included on the device).

**Note:** To use Cisco Defense Orchestrator (a cloud-based, multidevice manager), first follow the FDM instructions, then see <https://cisco.com/go/cdo-onboard>.

**Note:** To instead use the Firepower Management Center (FMC) (a full-featured, multidevice manager on a separate server), see <https://cisco.com/go/fmc-fp1010-quick>.

- **ASA with ASDM**—Manage the ASA using the Adaptive Security Device Manager (ASDM) (a single device manager included on the device).

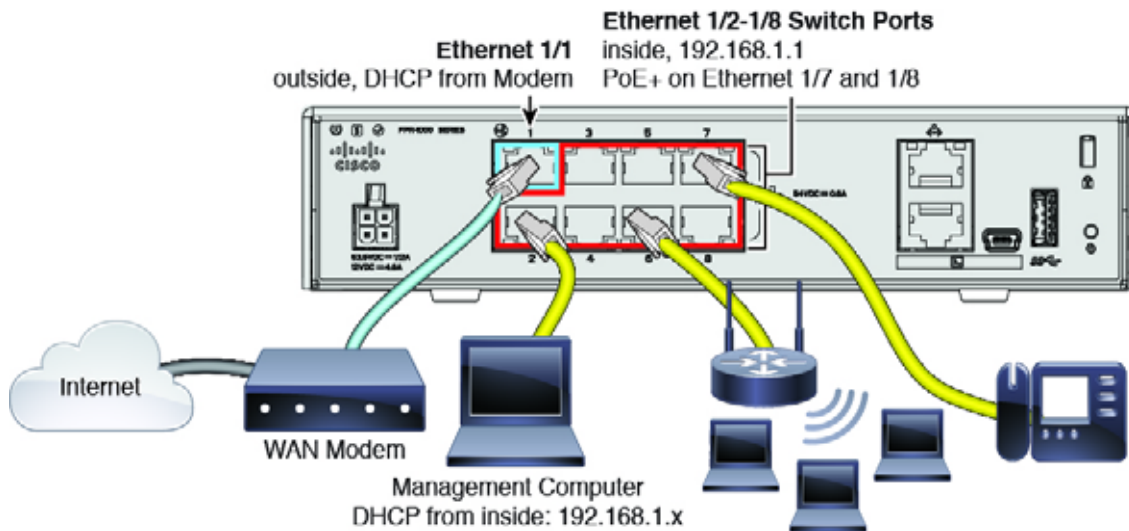
**Note:** To use the ASA CLI, see <https://cisco.com/go/asa-config>.

**Note:** To use Cisco Defense Orchestrator (a cloud-based, multidevice manager), first follow the ASDM instructions, then see <https://cisco.com/go/cdo-onboard>.

**Note:** To manage the ASA with the Cisco Security Manager (multi-device manager on a separate server), see <https://cisco.com/go/csm-docs>.

## FTD with FDM

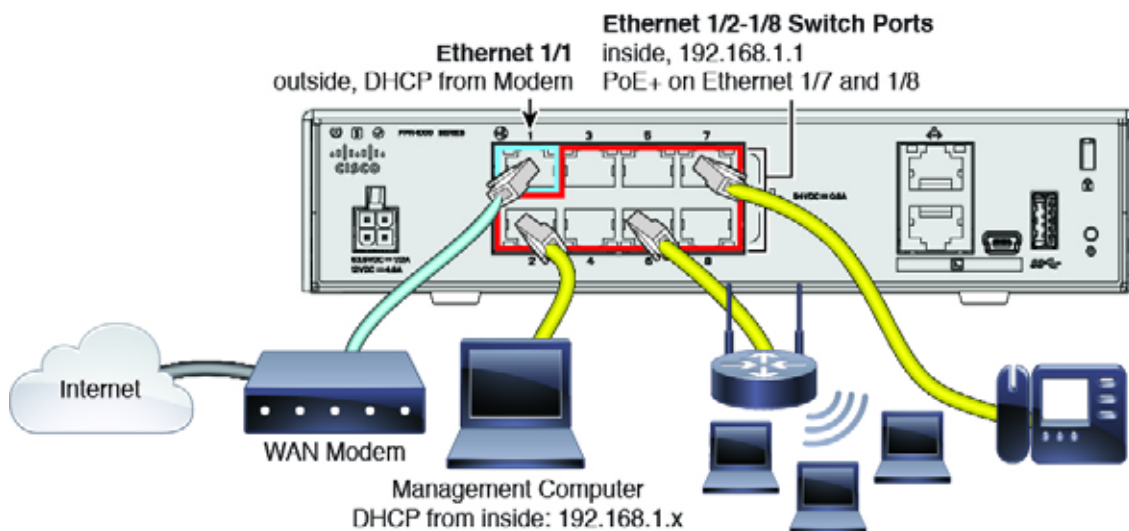
1. Install your chassis. See <https://cisco.com/go/firepower1010-install> and <https://cisco.com/go/firepower1000-compliance>.
2. Cable your network:



3. Connect your browser to FDM on one of the inside interfaces, Ethernet 1/2 to 1/8: <https://192.168.1.1>. Username: **admin**; password: **Admin123**. **Note:** Version 6.4 and earlier uses a *software* switch for inside ports, and does not support PoE+.
4. Complete the **Device Setup** wizard. **Note:** This process sets the manager to FDM. If you later want to use FMC, you can clear your configuration and start over: at the FTD CLI, use the **configure manager delete** and then **configure manager add** commands.
5. See the getting started guide to continue your configuration: <https://cisco.com/go/fdm-fp1010-quick>.

## ASA with ASDM

1. Install your chassis. See <https://cisco.com/go/firepower1010-install> and <https://cisco.com/go/firepower1000-compliance>.
2. Cable your network:



3. Connect your browser to ASDM on one of the inside interfaces, Ethernet 1/2 to 1/8: <https://192.168.1.1/admin>. Leave the username and password empty.
4. Choose **Wizards > Startup Wizard** to configure additional ASA settings.

5. See the getting started guide to continue your configuration: <https://cisco.com/go/asa-fp1010-quick>.

## Firepower Threat Defense Links

1. Determine Smart License needs. See the **licensing** document:  
<https://cisco.com/go/firepower-licensing>
2. Install the Firepower 1010. See the **hardware installation** guide:  
<https://cisco.com/go/firepower1010-install>
3. Choose a manager and perform initial setup:
  - **Firepower Device Manager**—A simplified, single device manager included on the device.  
<https://cisco.com/go/fdm-fp1010-quick>
  - **Firepower Management Center**—A full-featured, multidevice manager on a separate server.  
<https://cisco.com/go/fmc-fp1010-quick>

**Note:** To use Cisco Defense Orchestrator (A cloud-based, multidevice manager), see <https://cisco.com/go/cdo-onboard>.
4. Check the release notes for important information. Choose the **release notes** for your version:  
<https://cisco.com/go/ftd-notes>
5. Configure the Firepower 1010. Choose the **configuration guide** for your manager version:  
<https://cisco.com/go/ftd-config>
6. See also:
  - All Firepower Threat Defense documentation: <https://cisco.com/go/ftd-docs>
  - Software downloads: <https://cisco.com/go/ftd-software>  
**Note:** A Cisco.com login and Cisco service contract are required.
  - Troubleshooting TechNotes: <https://cisco.com/go/ftd-technotes>
  - Next-Generation Firewall Resource Center: <https://cisco.com/go/ngfw-resource>

## ASA Links

1. Install the Firepower 1010. See the **hardware installation** guide:  
<https://cisco.com/go/firepower1010-install>
2. Perform initial setup. See the **getting started** guide:  
<https://cisco.com/go/asa-fp1010-quick>
3. Check the release notes for important notes. Choose the ASDM or CLI **release notes** for your version:  
<https://cisco.com/go/asa-rns>
4. Configure the ASA. Choose the ASDM or CLI **configuration** guide for your version:  
<https://cisco.com/go/asa-config>  
**Note:** To use Cisco Defense Orchestrator (A cloud-based, multidevice manager), see <https://cisco.com/go/cdo-onboard>.  
**Note:** To manage the ASA with the Cisco Security Manager, see <https://cisco.com/go/csm-docs>.

5. See also:

- All ASA documentation: <https://cisco.com/go/asadocs>
- Software downloads: <https://cisco.com/go/asa-firepower-sw>  
**Note:** A Cisco.com login and Cisco service contract are required.
- Troubleshooting TechNotes: <https://cisco.com/go/asa-technotes>

## Common Links

- Cisco Support community forums:  
<https://supportforums.cisco.com>
- Regulatory compliance and safety information:  
<https://cisco.com/go/firepower1000-compliance>
- Warranty, license, and privacy information:
  - Warranty and end user license agreement: <https://cisco.com/go/warranty>
  - AnyConnect license: <https://cisco.com/go/anyconnect-license>
  - Privacy portal: <https://cisco.com/go/privacy>