



Install Cisco Enterprise NFVIS Using USB

Before you begin

For Cisco Catalyst 8200 UCPE installation ensure that you install NFVIS only on one drive and only that drive be present at the time of installation.

For Cisco Catalyst 8200 UCPE, it is recommended to set the BIOS password after you log in to NFVIS.

To set the BIOS password, use the **hostaction change-bios-password** command. Without this step, you will not be able to select the device to install NFVIS.

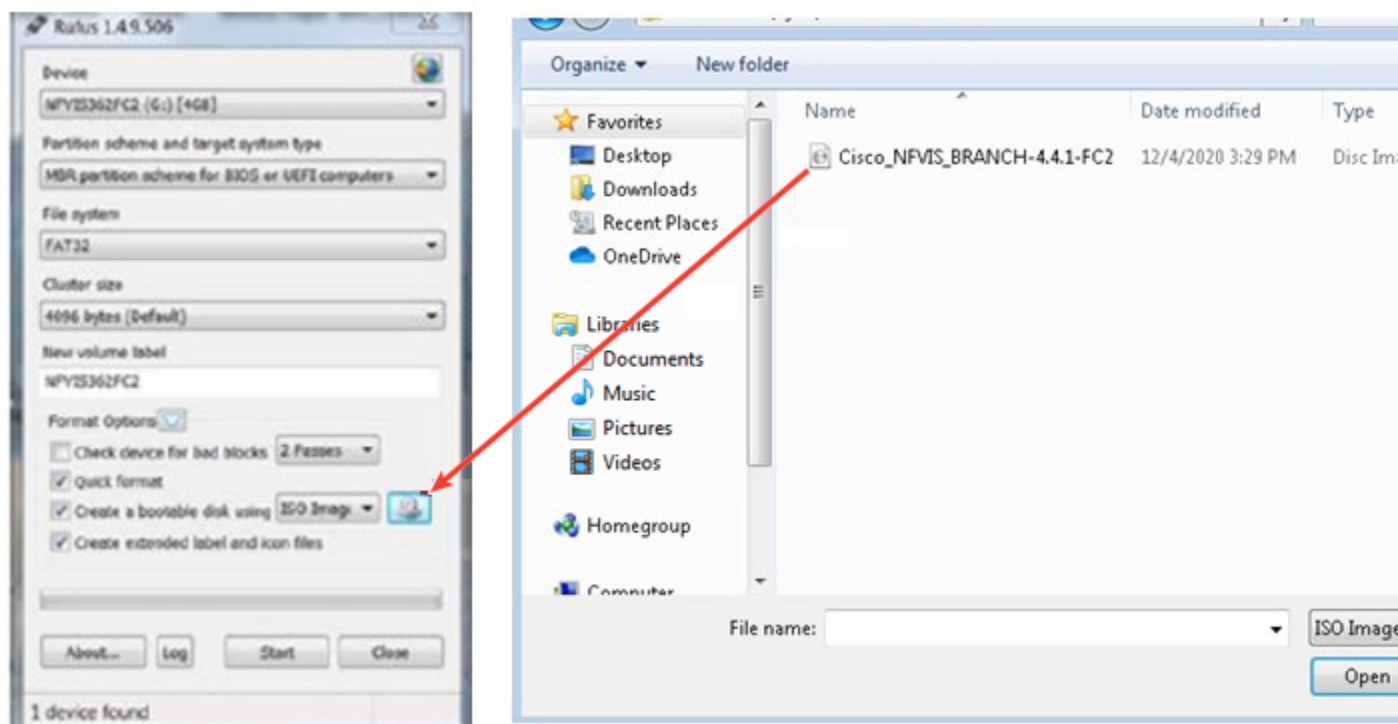
Step 1 Create bootable USB with NFVIS image.

In this example, we used rufus utility in Windows environment. Rufus utility can be downloaded <https://rufus.akeo.ie/>. For this example, following parameters were used to burn bootable NFVIS USB device:

- Device: USB stick
- Partition scheme: MBR
- Filesystem: FAT32
- Cluster size: use default
- Volume label: use default
- Quick format: checked
- Create bootable: select "ISO Image" and click next icon then choose NFVIS image.
- Create extended label: checked

Press **Start** and wait for completion.

Eject USB thumb drive



Step 2 Insert USB device in one of USB slot in the device.

Step 3 Power on system.

Step 4 During system boot up, press F6 key.

Press or <F2> to enter setup, <F6> Boot Menu, <F12> Network Boot in 5 seconds or press any key to continue.

Step 5 Once you press F6, you will see the following screenshot to select which device you want to boot from. Select your USB device.

In the following screenshot example, there is STEC USB being used. That display will vary depending on your usb device vendor. Use the arrow key to select that device.

```

Select Boot Device or BIOS Setup

P0: Micron_1100_MTFDDAV256TBN
CISCO eMMC HS-SD/MMC
IBA GE Slot 0100 v1578
IBA GE Slot 0300 v1578
IBA GE Slot 0301 v1578
IBA GE Slot 0302 v1578
IBA GE Slot 0303 v1578
UEFI: CISCO eMMC HS-SD/MMC, Partition 1
UEFI: CISCO eMMC HS-SD/MMC, Partition 2
UEFI: Built-in EFI Shell
STEC STEC USB 2.0 3120 ←
UEFI: STEC STEC USB 2.0 3120, Partition 1
Enter BIOS Setup

^ and v to move selection
ENTER to select boot device

```

366780

- Step 6** Wait until installation is completed. System will be rebooted once installation is done.
- Step 7** Log into the system with username **admin** and **Admin123#** as a default password
- Step 8** You will be prompted and asked to change password at the first login. You must set a strong password per the on-screen instruction to proceed.
- Step 9** You can verify the installation status using the System API or command line interface per the NFVIS user guide.

What to do next

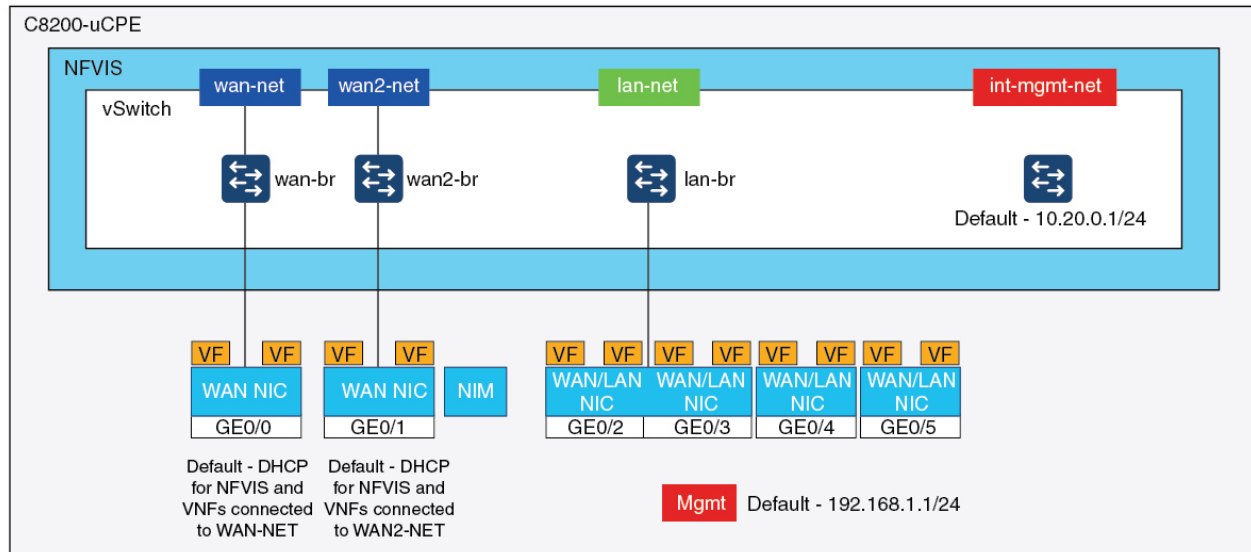
You can verify the default configuration, and set up initial IP configuration to launch the Cisco Enterprise NFV portal.

- [Default System Configuration on Cisco Catalyst 8200 UCPE, on page 3](#)

Default System Configuration on Cisco Catalyst 8200 UCPE

The diagram below illustrates the default network configuration of Cisco Enterprise NFVIS with the Cisco ENCS.

Catalyst 8200 Edge uCPE Factory Default Configuration



- NFVIS can be accessed by default through the WAN port or GE0/2 LAN port for management.
- WAN network (wan-net and wan2-net) and WAN bridge (wan-br and wan2-br) are set to enable DHCP by default. GE0 is associated to WAN bridge and WAN2 bridge by default.
- The management IP address 192.168.1.1 on Cisco Catalyst 8200 UCPE is accessible through GE0/2.
- GE0/2 is associated to LAN bridge.
- An internal management network (int-mgmt-net) and bridge (int-mgmt-br) is created and internally used for system monitoring.