



# Install the Cisco Catalyst 8300 Series Edge uCPE

- [Unpacking the Device, on page 1](#)
- [Installing the Cisco Catalyst 8300 Series Edge uCPE, on page 1](#)
- [Grounding the Chassis, on page 12](#)
- [Initial Server Setup, on page 13](#)

## Unpacking the Device

The device, accessory kit, publications, and any optional units may be shipped in more than one container. When you unpack the containers, check the packing list to ensure that you have received all the items on the list.

Only unpack the product when you are ready to install it.

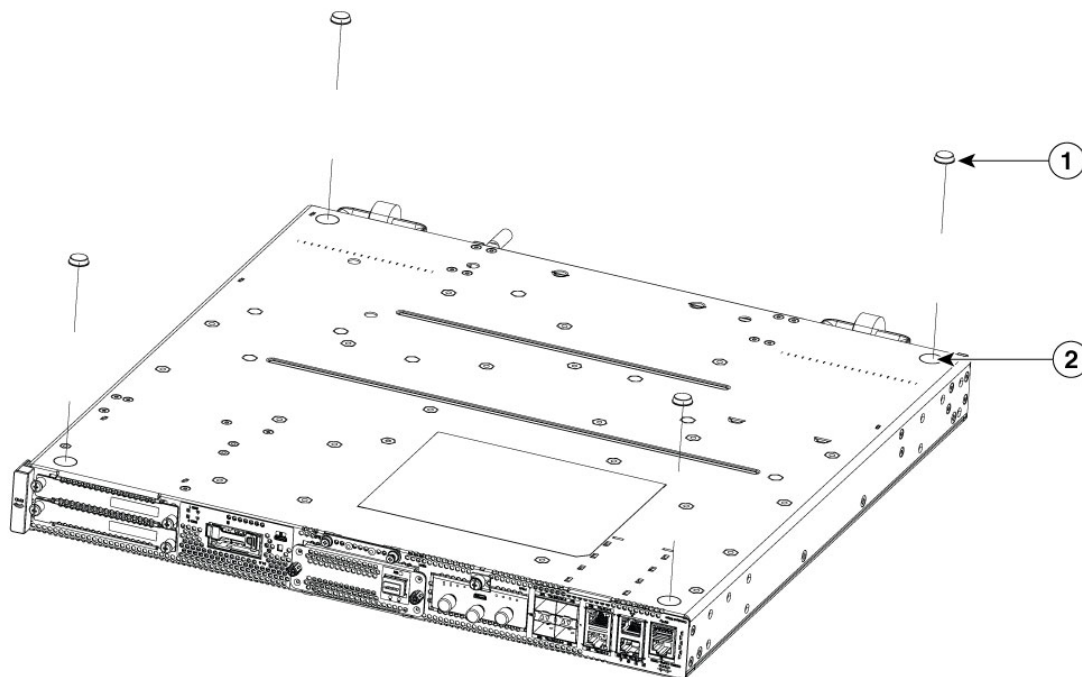
## Installing the Cisco Catalyst 8300 Series Edge uCPE

If not already installed, the DIMMs must be installed before rack-mounting the chassis.

### Desktop-Mounting the Chassis

The Cisco Catalyst 8300 Edge uCPE has circular markings on the bottom of the chassis for rubber feet. Apply the rubber feet when installing the router on horizontal surface (desk or shelf).

Figure 1: Desktop-mounting the chassis



1	Rubber feet
2	Circular markings for placing the feet

### Rack-Mounting the Chassis

The Cisco Catalyst 8300 Edge uCPE can be installed in 19-inch (48.26-cm) or 23-inch (58.42-cm) racks. The mounting ears for the device are designed for #12 screws for securing to the rack.

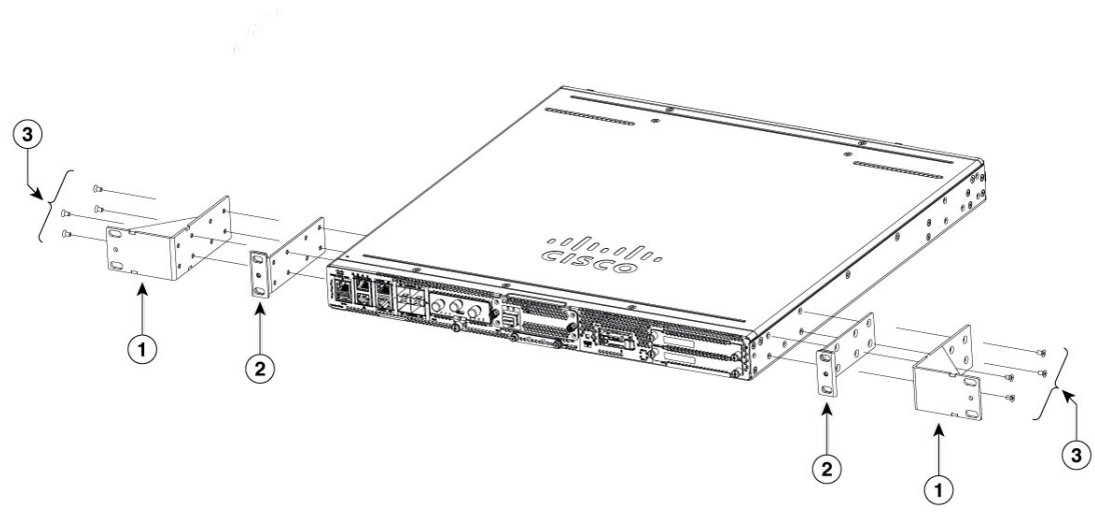
The device can be rack-mounted in the following ways:

- Front (I/O-face) mounting: Brackets attached at the front of the chassis with the front panel (I/O) facing forward
- Back (PSU-side) mounting: Brackets attached at the back of the chassis with the back (PSU-side) panel facing forward

### Attaching Brackets to the Chassis

Attach one mounting bracket to each side of the device as shown in following figures. Four screws are required to attach each bracket to the device. Screws are provided with the mounting kit to attach the screws to the device.

**Figure 2: 19 inches or 23 inches Bracket Installation for Front Mounting**



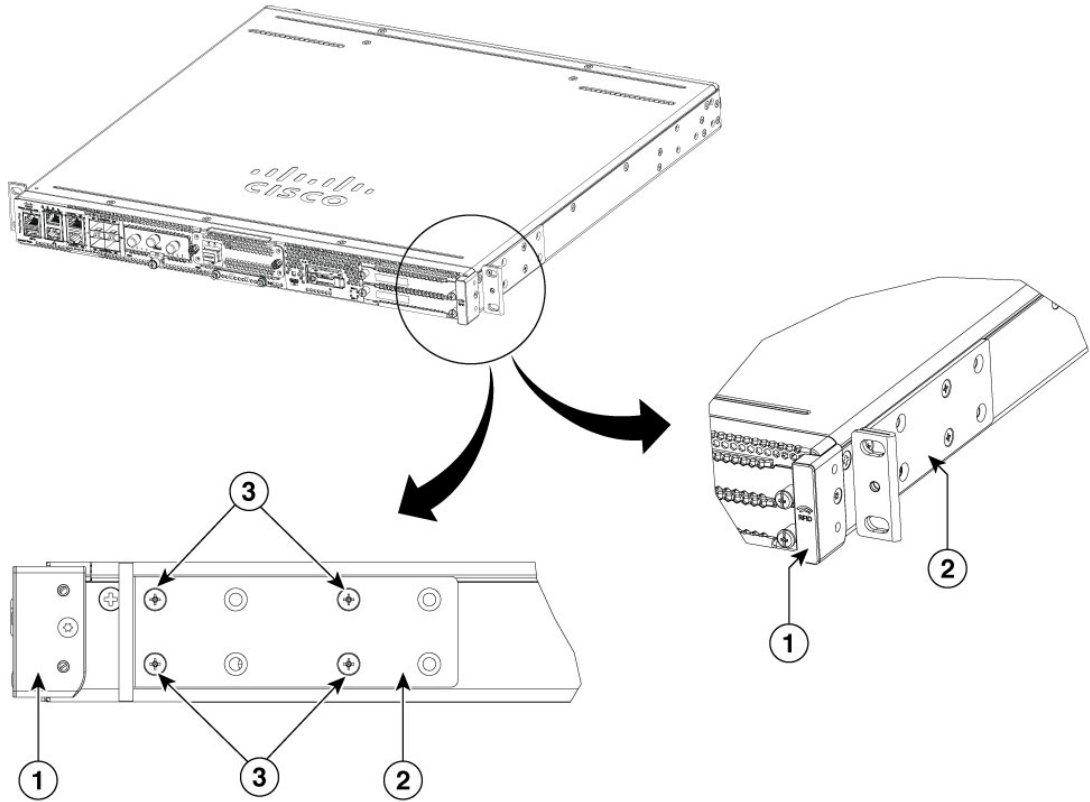
1	23 inches Rack Mount brackets
2	19 inches Rack Mount brackets
3	Securing screws

Brackets have optional securing locations so they can be mounted flush to the I/O-face or recessed from the face when RFID is provisioned. The following image shows the brackets secured to the I/O-face in the recessed position (RFID is applied). If flush securing is desired, slide the bracket forward and secure the other 4 bracket-securing holes.



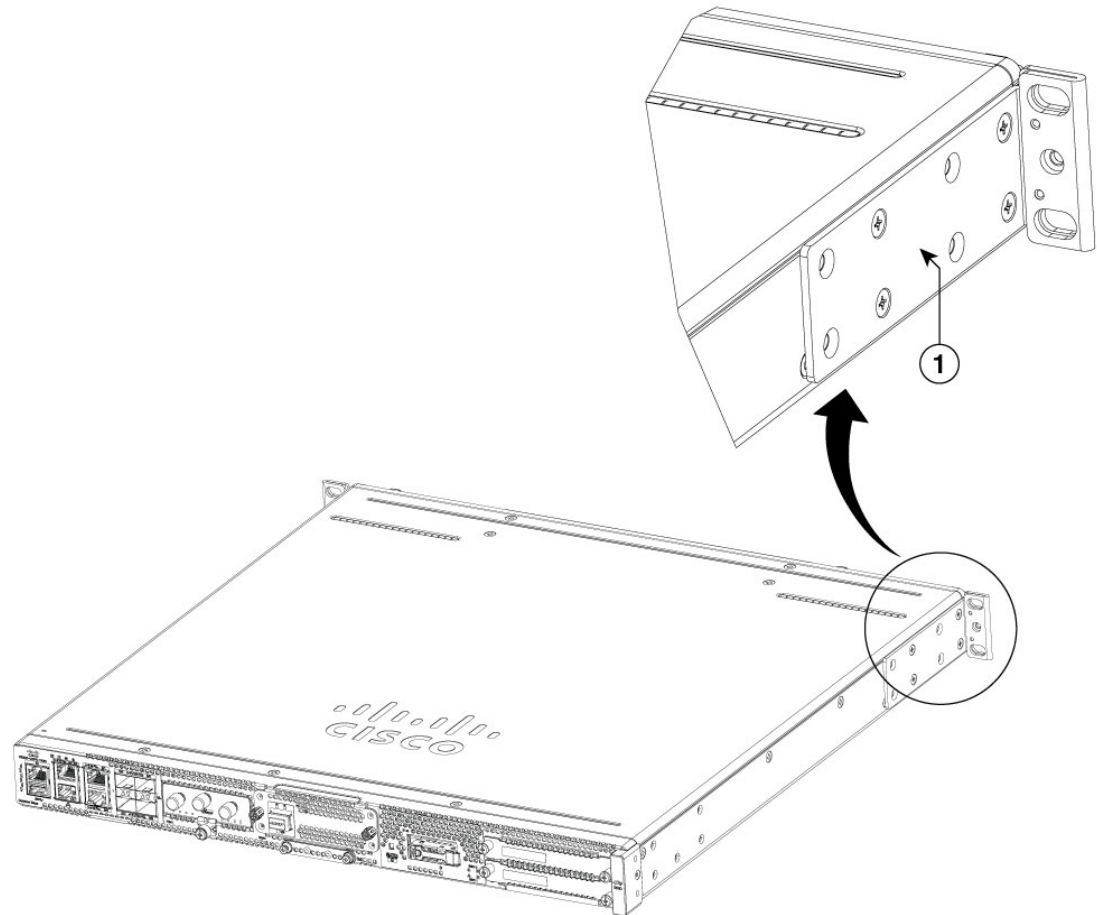
**Note** Recessed mounting is not supported on the PSU-face.

Figure 3: Rack mount brackets applied recessed from I/O-face



1	RFID provisioned (reference)
2	Rack-mount bracket
3	Screws

**Figure 4: Rack mount brackets applied flush to PSU-side**



1

Rack-mount bracket

### Mounting the Device in a Rack

After you secure the brackets to the device, install the chassis in the rack as shown in following figures. Four screws are required to secure in the rack. The screws for attaching the device to the rack are not provided with the kit.



**Tip** For both the 19-inch EIA brackets and 23 inch brackets, start the lower pair of screws first, and the rest of the brackets are on the lower screws while you insert the upper pair of screws.



**Tip** The screw slots in the brackets are spaced to line up with every *second* pair of screw holes in the rack. When the correct screw holes are used, the small threaded holes in the brackets line up with unused screw holes in the rack. If the small holes do not line up with the rack holes, raise or lower the brackets to the next rack hole.



---

**Warning Statement 1006**—Chassis Warning for Rack-Mounting and Servicing

To prevent bodily injury when mounting or servicing this unit in a rack, you must take special precautions to ensure that the system remains stable. The following guidelines are provided to ensure your safety:

- This unit should be mounted at the bottom of the rack if it is the only unit in the rack.
- When mounting this unit in a partially filled rack, load the rack from the bottom to the top with the heaviest component at the bottom of the rack.
- If the rack is provided with stabilizing devices, install the stabilizers before mounting or servicing the unit in the rack.



---

**Warning Statement 1032**—Lifting the Chassis

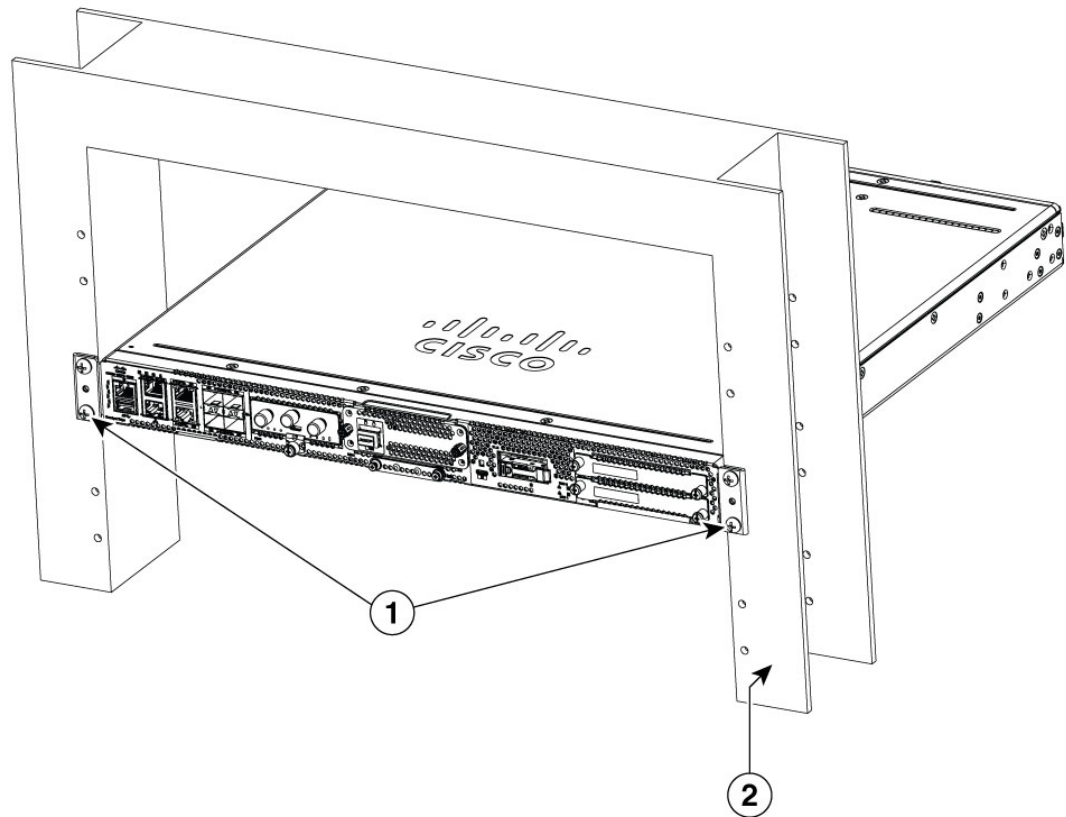
To prevent personal injury or damage to the chassis, never attempt to lift or tilt the chassis using the handles on modules, such as power supplies, fans, or cards. These types of handles are not designed to support the weight of the unit.

---

The following figures show a typical rack mounting of a chassis in a rack.

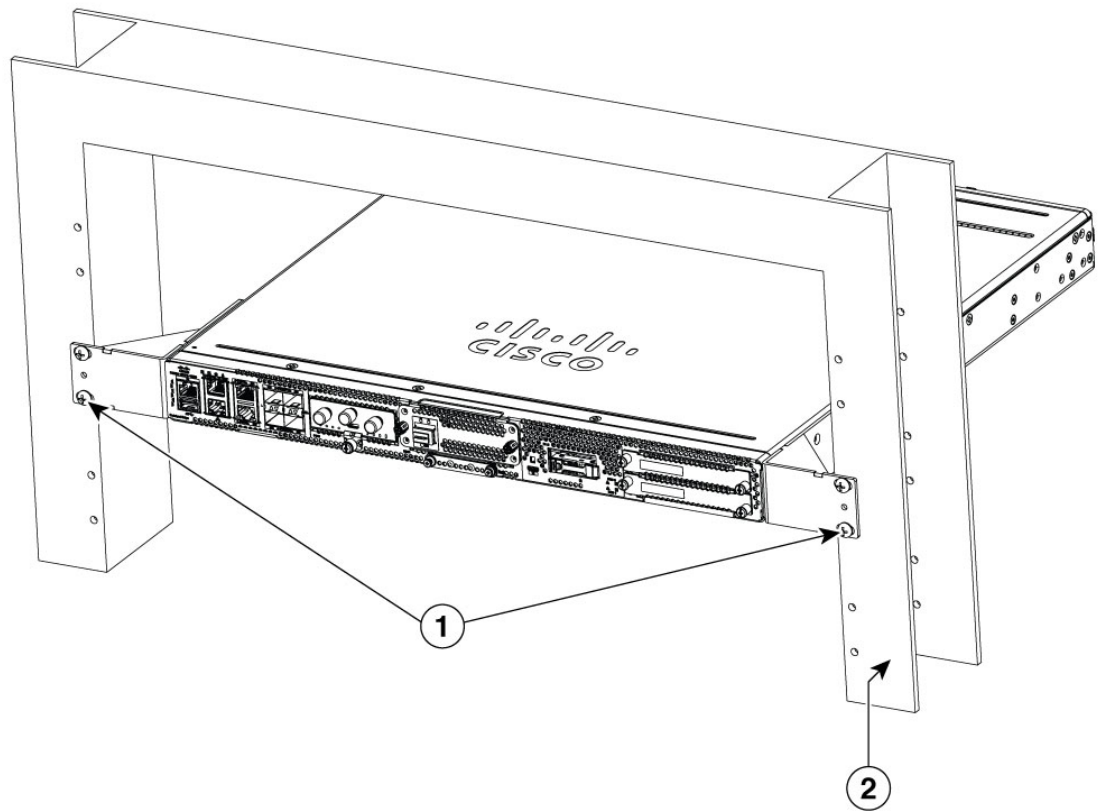
1. Locate the desired position in the equipment rack.
2. Align the holes in the rack mount brackets with the mounting holes in the equipment frame.
3. Secure the device using mounting screws appropriate for your equipment frame. The rack mount brackets have been designed for #12 screws.
4. Tighten the screws to the appropriate torque value for your equipment.

Figure 5: Mounting the Chassis on the Rack- Front (I/O face) Shown for 19 inches Rack Mount



1	Securing screws (not included)
2	19-inch rack (upright)

Figure 6: Mounting the Chassis on the Rack- Front (I/O face) shown for 23-inches Rack Mount



1	Securing screws (not included)
2	23-inches rack upright



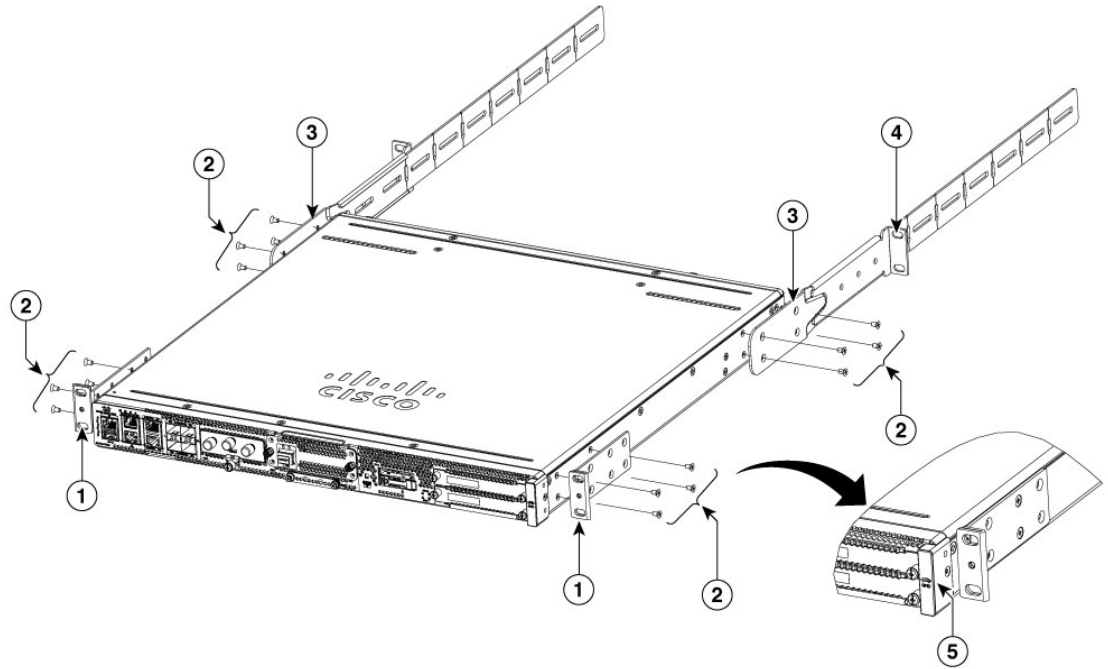
**Tip** The screw slots in the brackets are spaced to line up with every second pair of screw holes in the rack. When the correct screw holes are used, the small threaded holes in the brackets line up with unused screw holes in the rack. If the small holes do not line up with the rack holes, raise or lower the brackets to the next rack hole.

#### Four-point Mounting in a Cabinet

Four-point mounting is supported for 19-inches cabinets that require rear-support of the device. A range of rear-support depths is supported depending on whether you choose flush-mounting or recessed-mounting.

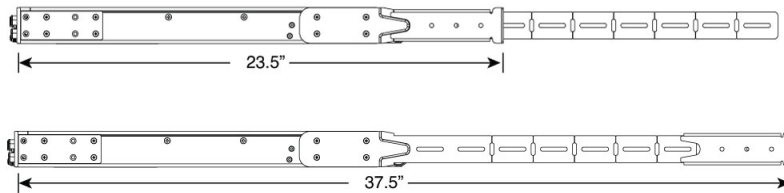


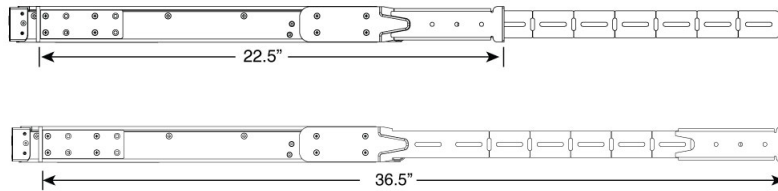
Figure 7: Four-point kit assembly for 19-inches cabinets (recessed-mounting shown)



1	19-inches rackmount brackets
2	Securing screws
3	Slider bracket
4	Rear bracket (adjustable depth)
5	RFID (reference)

Figure 8: Flush Mount (No RFID) Depths



**Figure 9: Recessed-Mount Front Bracket Depths****Wall-Mounting the Chassis**

Wall-mounting is supported for the device.

For safety reasons, the device must be mounted as shown in the following figure with the I/O-face to the side. I/O-face may be oriented to the right (as shown) or to the left, but only a side of the chassis may be facing down.

1. Attach the brackets to the device using the screws provided with the mounting kit.

Two screws should be used to attach each bracket to the chassis as shown in the following figure.

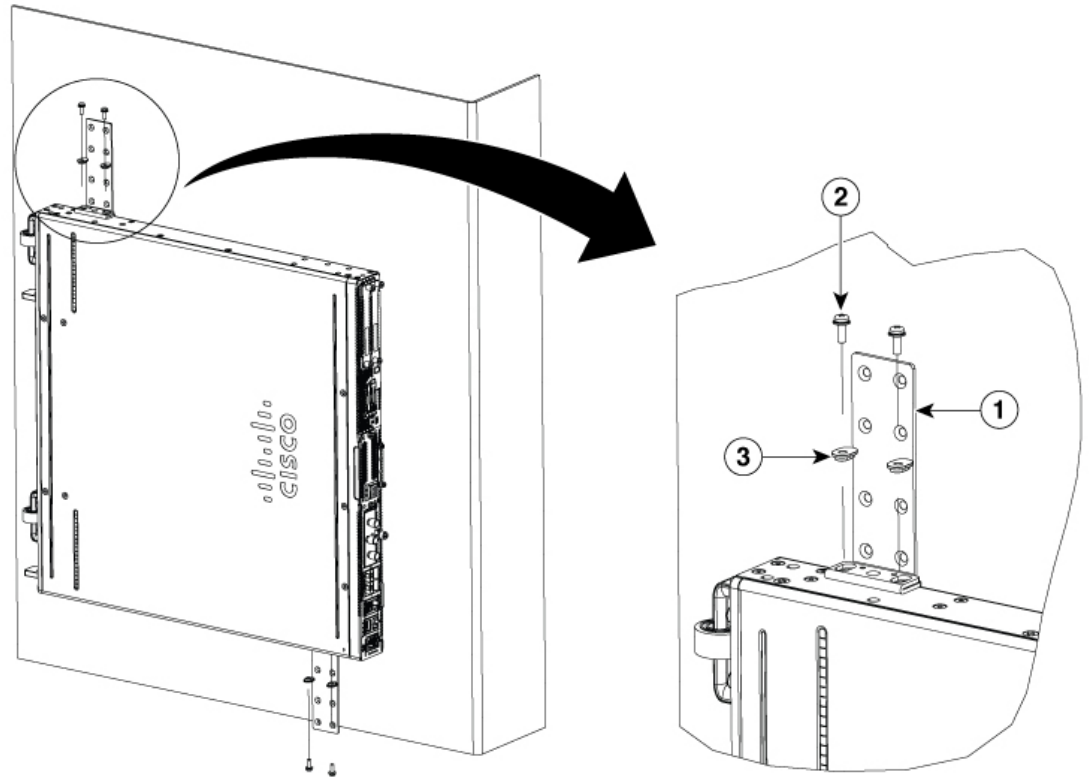



---

**Note** The wall-mounting kit is different from the rack-mounting kit.

---

Figure 10: Showing the securing of brackets to the side of the device for wall-mounting



1	Mounting bracket
2	Securing screws
3	Bushings

- Fix the chassis to the wall using the brackets that you attached to the device.

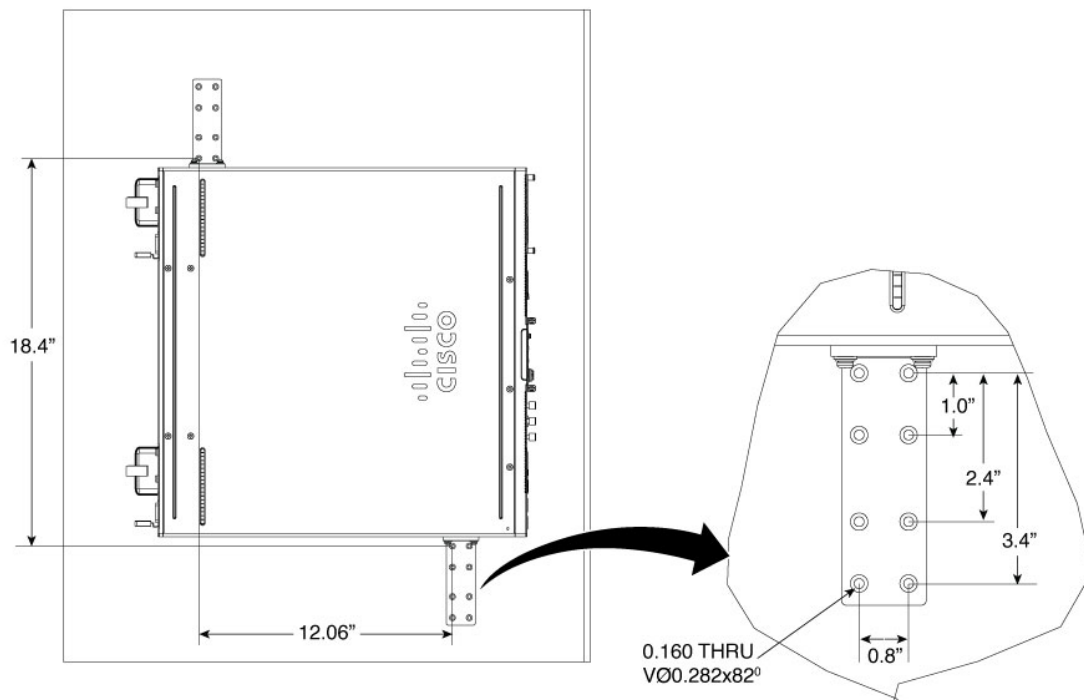
The screws or anchors for attaching the device to the wall are not provided with the kit. Depending on the type of wall (wood, brick, stone etc), use appropriate screws or anchors to fix the device to the wall.



**Note**

Route the cables so that they do not put a strain on the connectors or mounting hardware. For safety reasons, the chassis may only be mounted with ports going out in left or right direction. Do not mount the chassis with ports facing upward or downward direction.

Figure 11: Showing locations of holes in the brackets that can be used to secure to the wall



Vertical spacing; hole centre to hole centre	18.4 inches
Horizontal spacing; hole center to hole center	12.06 inches

## Grounding the Chassis



**Warning Statement 1024**—Ground Conductor

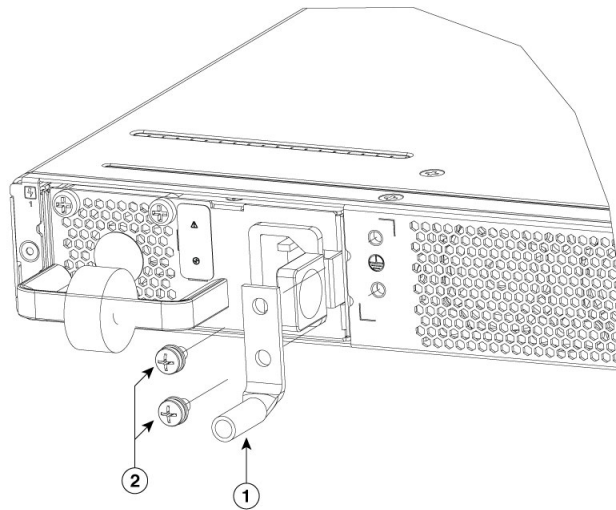
This equipment must be grounded. To reduce the risk of electric shock, never defeat the ground conductor or operate the equipment in the absence of a suitably installed ground conductor. Contact the appropriate electrical inspection authority or an electrician if you are uncertain that suitable grounding is available.



**Warning Statement 1046**—Installing or Replacing the Unit

To reduce risk of electric shock, when installing or replacing the unit, the ground connection must always be made first and disconnected last.

If your unit has modules, secure them with the provided screws.

**Figure 12: Grounding the Chassis**

1	Ground lug
2	Screws

These are the steps to install the ground connection for the device. The ground lug kit is provided with the chassis:

#### Before you begin

- Connect the chassis to the earth ground; the ground wire must be installed in accordance with local electrical safety standards.
- For grounding, use size 14 AWG copper wire and the ground lug provided in the accessory kit.

1. Strip one end of the ground wire to the length required for the groundlug.
2. Crimp the ground wire to the ground lug using a crimp tool of the appropriate size (7/8 inches strip length).
3. Attach the ground lug to the chassis as shown in the figure. Use the screws provided and with the ground lug to attach the lug to the device.

## Initial Server Setup

#### Local Connection Procedure

- Ensure that the device is powered on.
- Connect serial console port on the front panel of the device.
- When you see the prompt, you can press F2 to get into the setup (BIOS) to change some settings.
- After you have performed the required configuration, save the setup and continue to boot.

For more information on initial server setup see, Hardware Installation Guide for Cisco Catalyst 8300 Series Edge uCPE.

**Remote Connection Procedure**

- Plug in your terminal server to the Serial port (Refer to front panel of chassis).
- Telnet into the console and perform the necessary configuration using corresponding commands.