



Command Reference BookMap1

First Published: 2010-04-29

Last Modified: 2010-04-29

Americas Headquarters

Cisco Systems, Inc.
170 West Tasman Drive
San Jose, CA 95134-1706
USA
<http://www.cisco.com>
Tel: 408 526-4000
800 553-NETS (6387)
Fax: 408 527-0883



CONTENTS

CHAPTER 1

This is a command wrapper topic 1

- permit (IPv4) 2
- create wwn-pool 5
- create vsan 6
- create vnic-egress-policy 8
- Profiling test 9

CHAPTER 2

Wrapper 11

- create vnic 12



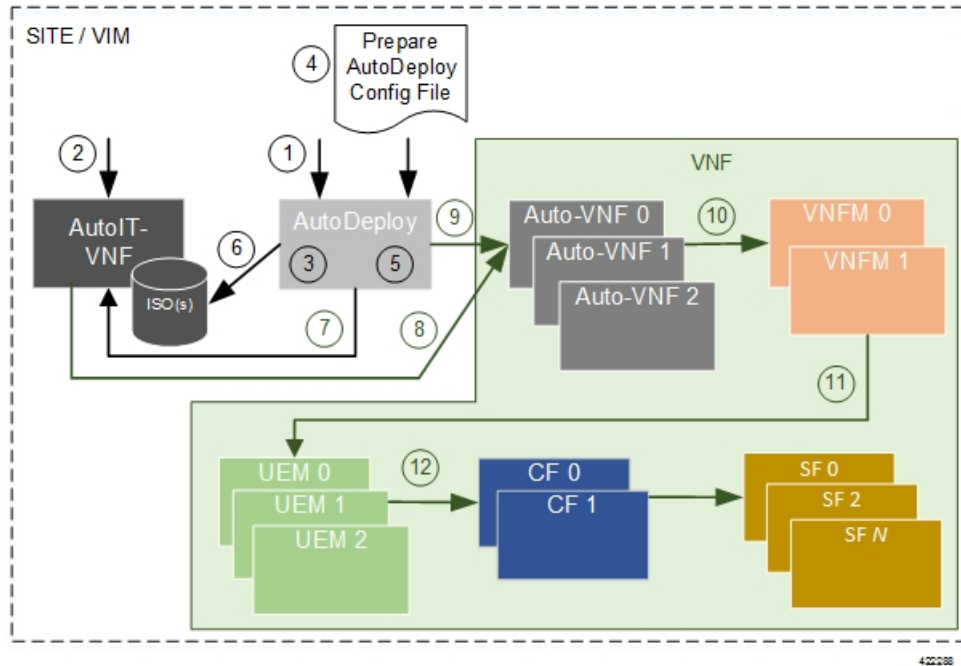
This is a command wrapper topic

This is a xref [permit \(IPv4\)](#), on page 2

- [permit \(IPv4\)](#), on page 2
- [create wwn-pool](#), on page 5
- [create vsan](#), on page 6
- [create vnic-egress-policy](#), on page 8
- [Profiling test](#), on page 9

permit (IPv4)

To create an IPv4 access control list(ACL) rule that permits traffic matching its conditions, use the **permit** command. To remove a rule, use the **no** form of this commands.



This is for test

CSCsy01403: Make sure there are no extra spaces in the syntax diagram block following

General Syntax:

[sequence-number] **permit** protocol source destination *QA Test: CSCsv22488 The following groupchouse should appear with square brackets only* [{ dscp dscp | **QA test CSCsz89741: check that a space appears after this** precedence }

[QA Test: CSCsx24477] **This synblk must appear on a different line** protocol source destination *QA Test Sprint 9 CSCtc25038 and CSCsw43905 There should be a pipe separator between this sentence and this sentence. There should also be a single space before the pipe and after the pipe*

QA Test Sprint 9: Open this command in firefox and check that the fonts for the command syntax is the same size.

no deny protocol { source-ipv6-prefix / prefix-length | any | host source-ipv6-address } [operator [port-number]] { destination-ipv6-prefix / prefix-length | any | host destination-ipv6-address } [operator [port-number]] [**dest-option-type** [{ doh-number doh-type }]] [**dscp** value] [**flow-label** value] [**fragments**] [**log**] [**log-input**] [**mobility**] [**mobility-type** [{ mh-number mh-type }]] [**routing**] [**routing-type** routing-number] [**sequence** value] [**time-range** name] [**undetermined-transport**]

Command Default

A Newly created IPv4 ACL contains no rules

If yo do not specify a sequence number, the device assigns to the rule a sequence number that is greater than 10 greater than the last rule in the ACL

Command Modes

IPv4 ACL configuration

Source and Destination

You can specify the *source* and *destination* arguments in one of several ways. In each rule, the method you use to specify one of these arguments does not affect how you specify the other. When you configure a rule, use the following methods to specify the *source* and *destination* arguments:

IP address group object—

You can use an IPv4 address group object to specify a source or destination argument. Use the **object-group ip address** command to create and change IPv4 address group objects. The syntax is as follows: QA: CSCsz86893. These sep elements after addrgroup should render with a space (2 spaces). This is outside of a syntaxdiagram.

addrgroup

space

address-group-name

The following example shows how to use an IPv4 address object group named lab-gateway-svrs to specify the destination argument:

```
switch(config-acl)#  
  
permit ip any addrgroup lab-gateway-svrs
```

Address and network wildcard

You can use an IPv4 address followed by a network wildcard to specify a host or a network as a source or destination. The syntax is as follows: *IPv4-address network-wilddcard*

The following example shows how to specify the source argument with the IPv4 address and VLSM for the 192.168.67.0 subnet

```
switch(config-acl)#
```

ICMP Message Types

The icmp-message argument can be the ICMP message number, which is an integer from 0 to 255. It can also be one of the following keywords:

administratively-prohibited

Administratively-prohibited

alternate-address

Alternate-address

TCP Port Names

When you specify the protocol argument as `tcp`, the port argument can be a TCP port number, which is an integer from 0 to 65535. It can also be one of the following keywords:

bgp

Border Gateway Protocol

chargen

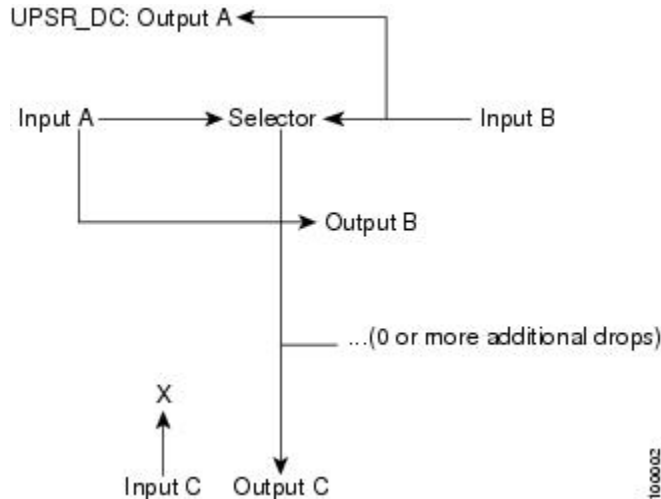
Character generator

cmd

Remote commands (rcmd,514)

create wwn-pool

To create a WWN (World Wide Name) pool, use the **create wwn-pool** command.



```
create wwn-pool name{node-wwn-assignment | port-wwn-assignment}
```

Syntax Description	<i>name</i>	WWN pool name. The range of valid values is 1 to 16.
	node-wwn-assignment	Specifies world wide node name assignment.
	port-wwn-assignment	Specifies world wide node port assignment.
Command Default	None	
Command Modes	Organization (/org)	
Command History	Release	Modification
	1.0(1)	This command was introduced.

Usage Guidelines Use this command to create a WWN pool with the specified name, and enters organization WWN pool mode. A WWN pool can include only WWNNs or WWPNS in the 20:xx range. All other WWN ranges are reserved.

Examples

This example shows how to create a WWN pool:

```
switch-A# scope org org3
switch-A /org # create wwn-pool wwnp1 port-wwn-assignment
switch-A /org/wwn-pool* # commit-buffer
switch-A /org/wwn-pool #
```

create vsan

QA Test Sprint 9 CSCta77961: Test that each Command appears in its own page. Karthik has changed
FONTOS BIZTONSÁGI ELOÍRÁSOK

Ez a figyelmeztető jel veszélyre utal. Sérülésveszélyt rejte helyzetben van. Mielott bármely berendezésen munkát végezte, legyen figyelemmel az elektromos áramkörök okozta kockázatokra, és ismerkedjen meg a szokásos balesetvédelmi eljárásokkal. A kiadványban szereplő figyelmeztetések fordítása a készülékhez mellékelt biztonsági figyelmeztetések között található; a fordítás az egyes figyelmeztetések végén látható szám alapján kereshető meg.

FIGYELJEN MEG EZEKET AZ UTASÍTÁSOKAT!

To create a VSAN, use the **create vsan** command.

karthik included this after os patch

karthik has included this during sprint6-round1 build

sprint-5 round1

sprint-5 round1 patch

create vsan *name id fcoe-vlan*

Syntax Description	<i>name</i>	VSAN name. The range of valid values is 1 to 16.
	<i>id</i>	VSAN identification number. The range of valid values is 1 to 4093.
	default-2	Specifies default 1.
	<i>fcoe-vlan</i>	Fibre Channel over Ethernet VLAN. The range of valid values is 1 to 4093.
	default-1	Specifies default 2.

Command Default None

Command Modes Fibre Channel uplink (/fc-uplink)
Switch (/fc-uplink/switch)

Command History	Release	Modification
	1.0(1)	This command was introduced.

Usage Guidelines Use this command to create a VSAN with the specified name, and enters organization VSAN mode. You can create a named VSAN with IDs from 1 to 4093. VSANs configured on different FCoE VLANs cannot share the same ID.

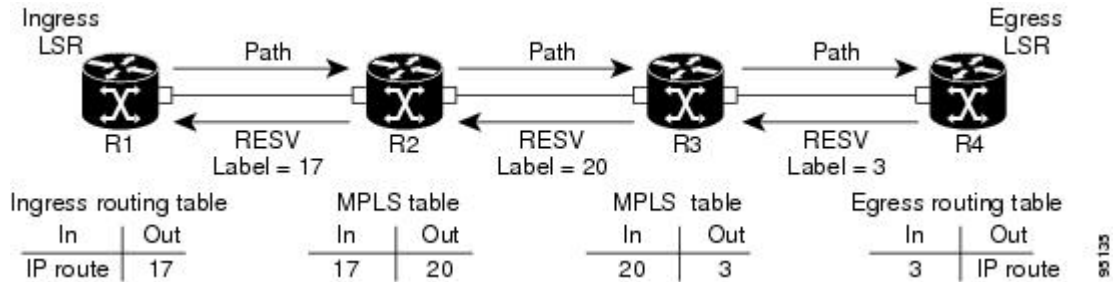
Examples

This example shows how to create a VSAN:

```
switch-A# scope fc-uplink  
switch-A /fc-uplink # create vsan vs2 6 10  
switch-A /fc-uplink/vsan* # commit-buffer  
switch-A /fc-uplink/vsan #
```

create vnic-egress-policy

To create a VNIC egress policy, use the **create vnic-egress-policy** command.



create vnic-egress-policy

This command has no arguments or keywords.

Command Default

None

Command Modes

Virtual NIC QoS (/org/vnic-qos)

Command History

Release Modification

1.0(1) This command was introduced.

Use this command to create a vNIC egress policy, and enter organization virtual NIC egress policy mode.

Examples

This example shows how to create a vNIC egress policy:

```
switch-A# scope org org3
switch-A /org # scope vnic-qos vnicq1
switch-A /org/vnic-qos # create vnic-egress-policy
switch-A /org/vnic-qos* # commit-buffer
switch-A /org/vnic-qos #
```

Profiling test

- This is for test

This is for TESTING

System Power Settings	
Power State:	FULL POWER
Power Source:	AC_ADAPTOR
Power Settings:	<input type="radio"/> Power Negotiation <input checked="" type="radio"/> Pre-standard Compatibility
Power Injector:	<input type="checkbox"/> Installed on Port with MAC Address: <input type="text" value="DISABLED"/> (HHHH.HHHH.HHHH)
<input type="button" value="Apply"/>	

300002

-
-
-



Wrapper

- [create vnic, on page 12](#)

create vnic

QA Test Sprint 9 CSCta77961: Test that each Command appears in its own page.

karthik has inserted part of sprint6-round1 build

karthik added this to check wan bridge issue in sprint12

To create a vNIC (Virtual Network Interface Card), use the **create vnic** command.

```
create vnic name {fabric {a | a-b | b | b-a} | eth-if eth-if} *
```

Syntax Description

name	VNIC template name. The range of valid values is 1 to 16.
fabric	Specifies the fabric switch identification number.
a	Specifies switch A.
a-b	Specifies redundant, with switch A as primary.
b	Specifies switch B.
b-a	Specifies redundant, with switch B as primary.
eth-if	Specifies a Ethernet interface.
<i>eth-if</i>	Ethernet interface name. The range of valid values is 1 to 16.

Command Default

None

Command Modes

Service profile (/org/service-profile)

Command History

Release Modification

1.0(1) This command was introduced.

Usage Guidelines

Use this command to create a vNIC with the specified name, and enters organization virtual NIC mode.

Examples

This example shows how to create a vNIC:

```
switch-A# scope org org3
switch-A /org # scope service-profile spl
switch-A /org/service-profile # create vnic vnic110
switch-A /org/service-profile/vnic* # commit-buffer
switch-A /org/service-profile/vnic #
```


Related Commands

QA Test: CSCtd06182 Check that the shortdescriptions appear on the dfescription column below. Also click on the first cross chapter link and see that it works in html and pdf chapters

Command	Description
create vsan, on page 6	This is short description for vsan command
create vnic-egress-policy, on page 8	This is short dfescription for create vnic-egress-policy command

