



Automation Workflows

This chapter describes the installation and communication sequence of the Routed Optical Networking components. The chapter also includes some Routed Optical Networking ML service provisioning examples.

- [Sequence for Installation of Routed Optical Networking Components, on page 1](#)
- [Communication Sequence, on page 2](#)
- [Service Provisioning Examples, on page 3](#)
- [Crosswork Hierarchical Controller Provisioning Workflow, on page 5](#)
- [Automation Starter Solution, on page 6](#)
- [Troubleshoot Provisioning Issues, on page 8](#)

Sequence for Installation of Routed Optical Networking Components

We recommend this installation sequence:



Note Cisco Crosswork Hierarchical Controller, Crosswork Network Controller Essentials, and NSO 6.1.9 with Routed Optical Networking 3.0.0 Function Pack are the minimum required components for the Routed Optical Networking solution. Cisco Optical Network Controller is required when using Cisco optical networking components.

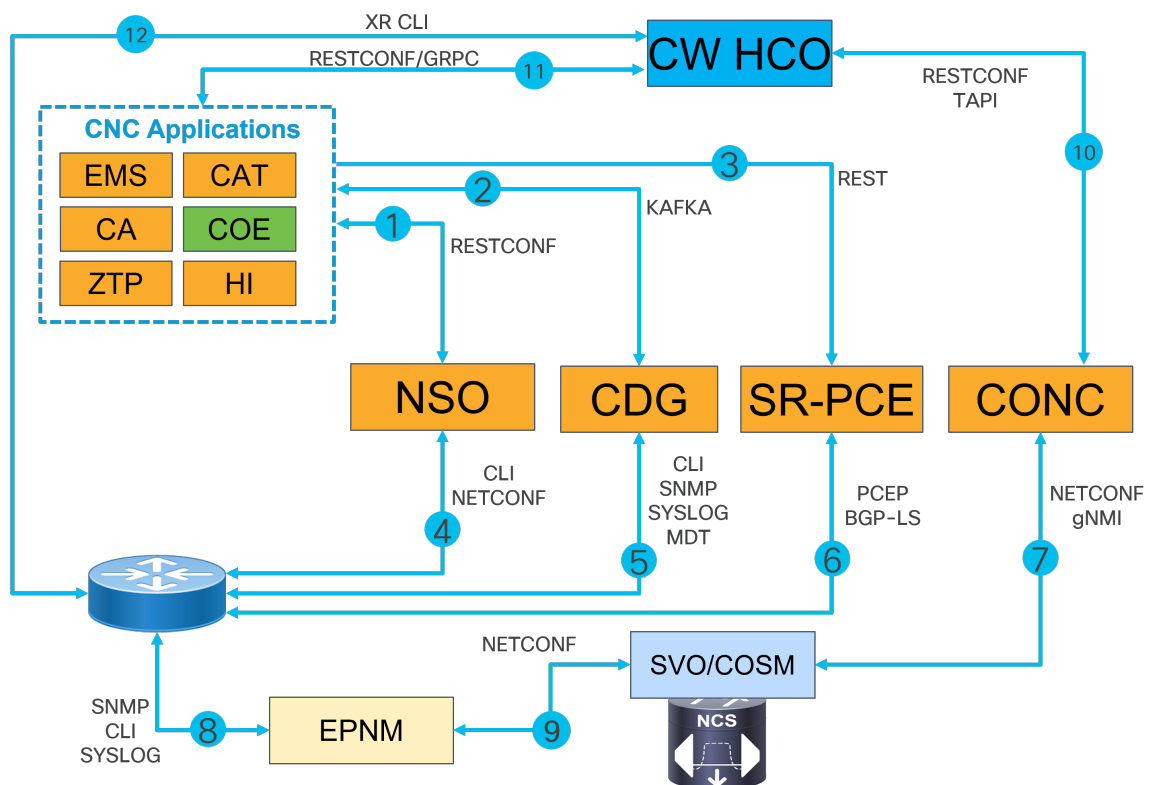
- Install Cisco Optical Network Planner. Cisco Optical Network Planner is used to determine the optical layer feasibility and components used to support the network. A BoM is generated for hardware to be utilized in the planned deployment. For more information, see [Cisco Optical Network Planner Installation Guide](#).
- Install the router and optical hardware as specified in the network design. Complete the physical wiring between all the components. For more information see, [Deployment Topologies](#).
- Install the Crosswork Infrastructure 6.0, Crosswork Data Gateway, and supporting Crosswork Network Controller 6.0 applications (Crosswork Optimization Engine, CAT, Hi). For more information, see [Cisco Crosswork Network Controller 6.0 Installation Guide](#).
- Install Cisco Optical Network Controller 3.1. For more information, see [Cisco Optical Network Controller 3.1 Installation Guide](#).

- Install EPNM 7.1.2. EMS to manage the physical router and the optical network nodes. For more information, see [Installation Guide for Cisco Evolved Programmable Network Manager 7.1](#) .
- Install Cisco NSO 6.1.9, Routed Optical Networking Multi-layer Function Pack 3.0, and Crosswork DLM function pack. Optionally, install the Cisco Transport SDN Function pack for SR-TE and xVPN service management. For more information, see the [Cisco Network Services Orchestrator Getting Started Guide](#), [Cisco NSO Routed Optical Networking Core Function Pack Installation Guide](#), [Cisco NSO Transport SDN Function Pack Installation Guide 6.0.0](#), [Cisco NSO DLM Service Pack Installation Guide 6.0.0](#).
- Add NCS 1010 devices to Cisco Optical Network Controller for the optical service management. For more information, see [Cisco Optical Network Controller 3.1 Configuration Guide](#) .
- Install [Crosswork Hierarchical Controller 8.0](#)
- Install SR-PCE in the network for SR-TE or RSVP-TE discovery and visualization.
- Add NSO, SR-PCE, and Cisco routers to the Crosswork cluster. For more information, see [Add Cisco NSO Providers](#), [Add Cisco SR-PCE Providers](#), [Adding Devices to Inventory](#).

Communication Sequence

This diagram displays the communication sequence between the Routed Optical Networking components:

Figure 1: Routed Optical Networking Communication Flow



1. Crosswork Network Controller discovers services. Crosswork Network Controller populates NSO with device information via RESTCONF and handles NSO provisioning requests. EMS collects fault and alarm data from devices.
2. Crosswork Data Gateway sends device status to Crosswork Network Controller using Kafka. Crosswork Network Controller manages the Crosswork Data Gateway instance.
3. SR-PCE sends SR-TE/RSVP-TE and topology information to Crosswork Network Controller via REST APIs.
4. NSO manages XR router configuration using NETCONF and CLI.
5. Crosswork Data Gateway collects network information from XR routers using CLI, SNMP, syslog, and MDT.
6. SR-PCE acts as a network PCE and collects IGP topology information from the network using PCEP and BGP-LS.
7. Cisco Optical Network Controller manages the NCS 1010 network nodes via NETCONF and gNMI. Cisco Optical Network Controller communicates with Cisco Optical Site Manager for NCS 1010
8. EPNM performs router inventory, SWIM, fault, and performance data collection using SNMP, CLI, and SYSLOG.
9. EPNM performs optical inventory, SWIM, fault, and performance data collection via NETCONF.
10. Crosswork Hierarchical Controller discovers optical equipment, topology, and services and provisions optical services via TAPI. Crosswork Hierarchical Controller receives PM data using ONC RPC.
11. Crosswork Hierarchical Controller discovers IGP nodes and topology and provisions services using Crosswork Network Controller NB API. Crosswork Hierarchical Controller receives PM data using GRPC.
12. Crosswork Hierarchical Controller collects the inventory data for ZR/ZR+ optics discovery using XR adapter directly from routers. This is also used to verify successful provisioning.



Note Routed Optical Networking components are not required in all the deployments.

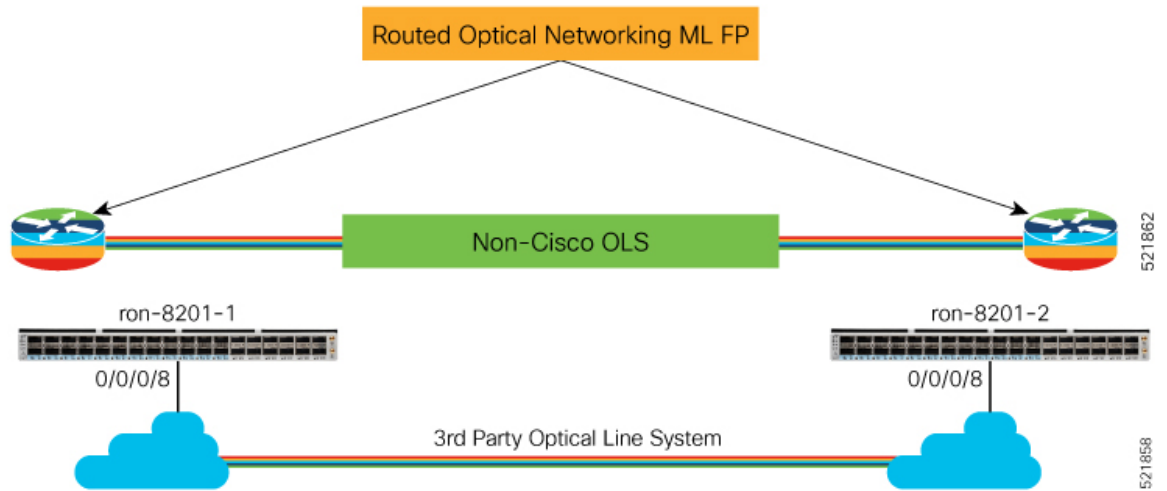
Service Provisioning Examples

In this section, a service provisioning example has been provided. This example uses the Cisco NSO Routed Optical Networking Core Function Pack for service provisioning.

Provision End-to-end Service (Cisco Routers with ZR/ZR+ Optics Only)

These diagrams display a network that contains Cisco routers with ZR or ZR+ optics and a non-Cisco optical line system.

Figure 2: Cisco Routers (with ZR/ZR+ Optics)



1. Create Routed Optical Networking ML Service with the following parameters:

Input	Value
End-points	ron-8201-1, ron-8201-2
Model	Transponder (1x400G mode)
Bandwidth	400G
Frequency	1952000
TX Power	-12dB on both endpoints
IP Addressing	10.2.1.10/31 and 10.2.1.11/31 on FourHundredGigE 0/0/0/8

```

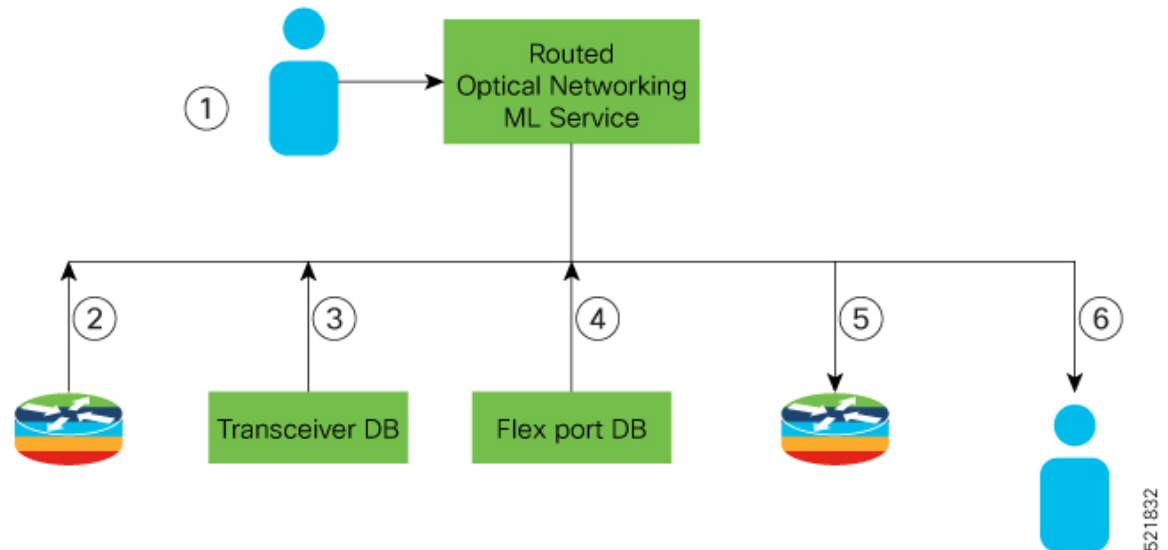
ron ron-ml ron-8201-1_ron-8201-2
mode transponder
bandwidth 400
circuit-id "Router Only"
frequency 1952000
end-point ron-8201-1
terminal-device-optical line-port 0/0/0/8
terminal-device-optical transmit-power -120
terminal-device-packet interface 0
ip-address v4 10.2.1.10/31
!
!
end-point ron-8201-2
terminal-device-optical line-port 0/0/0/8
terminal-device-optical transmit-power -120
terminal-device-packet interface 0
ip-address v4 10.2.1.11/31
!
!
!
!

```

NSO Routed Optical Networking ML Service

This diagram displays the NSO Routed Optical Networking ML service workflow for an end-to-end service (only Cisco routers with ZR/ZR+ optics).

Figure 3: NSO Routed Optical Networking ML Service Sequence



The workflow of the Routed Optical Networking ML service is as follows:

1. User initiates the Routed Optical Networking ML provisioning request.
2. The Routed Optical Networking ML service retrieves the transceiver and line card PIDs for each router end-point using CLI NED.
3. The Routed Optical Networking ML service compares the received transceiver PIDs and determines if the transceivers can support the service.
4. The Routed Optical Networking ML service compares the received line card PIDs, and determines if the line cards must be configured.
5. The Routed Optical Networking ML service provisions the router optics ports. It optionally performs bundle and IP configuration using the Cisco YANG models.
6. The Routed Optical Networking ML service stores the service information as NSO operational data and also returns the service state to user.

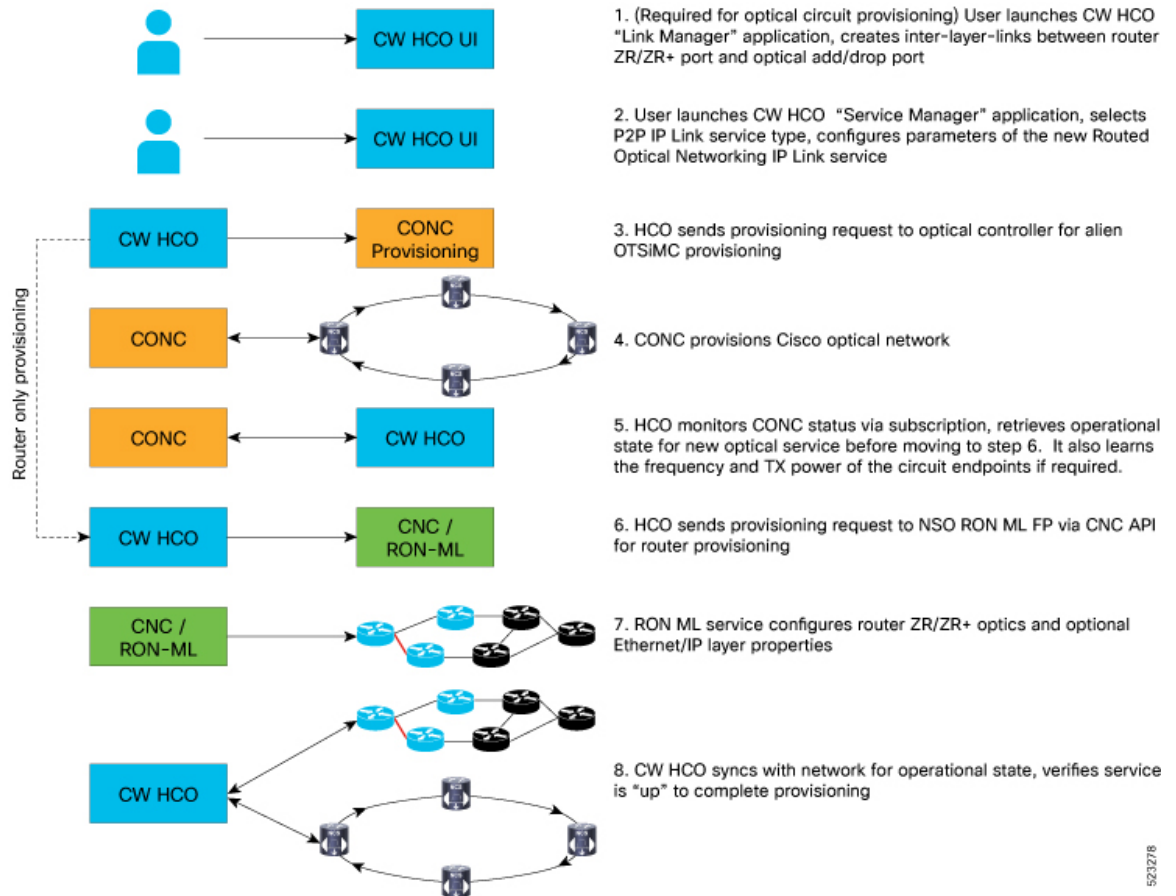
Crosswork Hierarchical Controller Provisioning Workflow

This section describes the workflow for provisioning the Routed Optical Networking circuit in the Crosswork Hierarchical Controller GUI via the Crosswork Network Controller.



Note The workflow does not support provisioning an end-to-end service in a network that contains Cisco routers with ZR or ZR+ optics and a non-Cisco optical line system.

Figure 4: Crosswork Hierarchical Controller Provisioning Workflow



523278

Automation Starter Solution

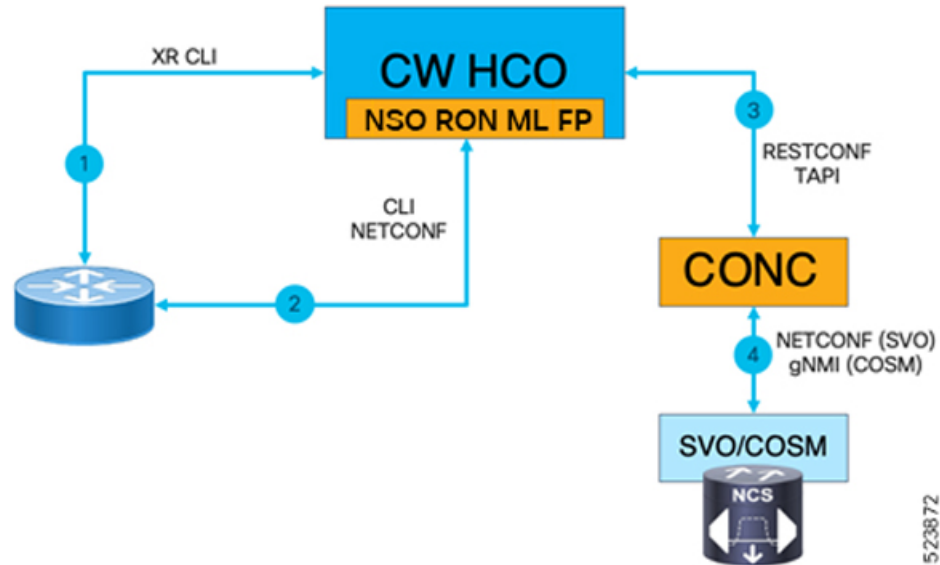
Automation Starter Solution accelerates adoption of Routed Optical Networking by simplifying the installation and deployment of the overall Routed Optical Networking solution. It is a simplified automation stack that is used to manage ZR/ZR+ optics in Cisco routers. The primary difference between the starter and full solution is the absence of CNC in the Starter solution. In the starter solution, the Crosswork Hierarchical Controller communicates with Cisco routers using the IOS XR and NSO adapters, and communicates with optical networks using the appropriate optical controller adapter.

The Starter solution uses the same NSO RON-ML function pack as the full solution. The function pack version is 3.0

Communication Workflow in Automation Starter Solution

This diagram displays the communication workflow between the Routed Optical Networking components in the automation starter solution.

Figure 5: Communication Workflow in Automation Starter Solution



1. Crosswork Hierarchical Controller communicates with the router to collect hardware inventory, link discovery and state, and collect performance measurement statistics.
2. NSO communicates with the router for router configuration management, DCO, and IP link provisioning.
3. Crosswork Hierarchical Controller discovers optical equipment, topology, and services and provisions optical services through TAPI, PM data through CONC RPC.
4. ONC communicates with SVO and Cisco Optical Site Manager for end-to-end optical device management.

Automation Starter Solution versus Full Solution

This diagram displays the components that are involved in the automation starter solution and full solution.

Figure 6: Automation Starter Solution versus Full Solution

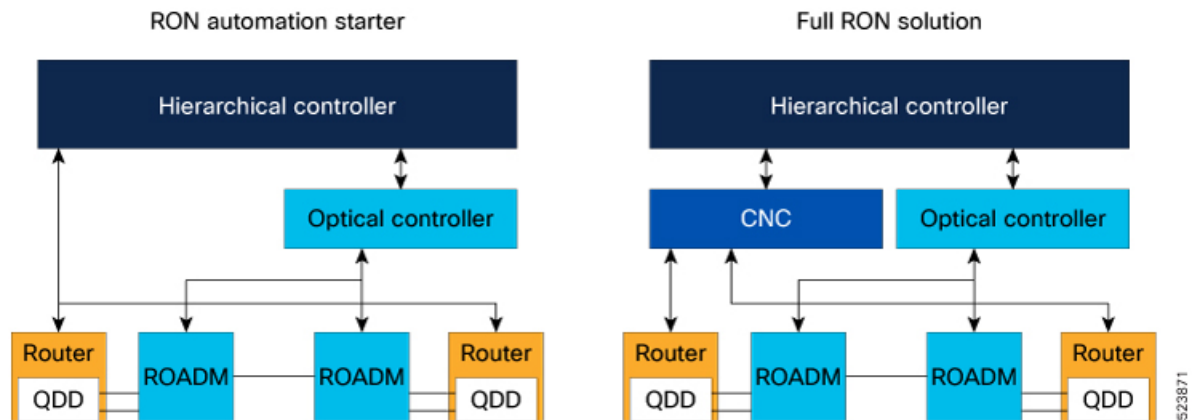


Table 1: Automation Starter Solution versus Full Solution

Feature	Automation Starter Kit	Full Solution
Wavelength Provisioning	Yes	Yes
Optical Circuit Assurance and Troubleshooting	Yes	Yes
Multilayer Visualization and History View	Yes	Yes
Management and verification of optical to IP connections	Yes	Yes
SR/SRv6 Control Plane SDN Automation	No	Yes
IP Element Management and IP SDN Path Optimization	No	Yes
IP Service Assurance and Service Orchestration	No	Yes
PLE Automation (SR-CS bandwidth reservation, provisioning, assurance)	No	Yes

Table 2: Required Adapters in Automation Starter Solution and Full Solution

Type of Solution	Required Adapters
Full Solution	<ul style="list-style-type: none"> • CNC adapter - Inventory, physical and IGP topology, segment routing, service discovery • CDG adapter - PM collection • IOS-XR adapter - RON inventory and topology • NSO adapter+RON-ML FP - RON link provisioning • Optical adapters to support Optical Line System - CONC adapter for Cisco Optical Network Controller
Starter Solution	<ul style="list-style-type: none"> • IOS-XR adapter - RON inventory and topology • NSO adapter+RON-ML FP - RON link provisioning • Optical adapters to support Optical Line System - CONC adapter for Cisco Optical Network Controller

Troubleshoot Provisioning Issues

Provisioning on ZR or ZR+ Optics

- To check the controller state on the router, use:


```
RP/0/RP0/CPU0:ron-8201-1#show controllers optics 0/0/0/20
Thu Jun  3 15:34:44.098 PDT
```

Controller State: Up

Transport Admin State: In Service

Laser State: On

LED State: Green

FEC State: FEC ENABLED

Optics Status

Optics Type: QSFPDD 400G ZR
 DWDM carrier Info: C BAND, MSA ITU Channel=10, Frequency=195.65THz,
 Wavelength=1532.290nm

Alarm Status:

Detected Alarms: None

LOS/LOL/Fault Status:

Alarm Statistics:

```
-----
HIGH-RX-PWR = 0          LOW-RX-PWR = 0
HIGH-TX-PWR = 0          LOW-TX-PWR = 4
HIGH-LBC = 0            HIGH-DGD = 1
OOR-CD = 0              OSNR = 10
WVL-OOL = 0            MEA = 0
IMPROPER-REM = 0
TX-POWER-PROV-MISMATCH = 0
Laser Bias Current = 0.0 %
Actual TX Power = -7.17 dBm
RX Power = -9.83 dBm
RX Signal Power = -9.18 dBm
Frequency Offset = 9 MHz
```

```
RP/0/RP0/CPU0:ron-8201-1#show controllers coherentDSP 0/0/0/20
Thu Jun  3 15:38:04.565 PDT
```

```
Port : CoherentDSP 0/0/0/20
Controller State : Up
Inherited Secondary State : Normal
Configured Secondary State : Normal
Derived State : In Service
Loopback mode : None
BER Thresholds : SF = 1.0E-5 SD = 1.0E-7
Performance Monitoring : Enable
Bandwidth : 400.0Gb/s
```

Alarm Information:

```
LOS = 8 LOF = 0 LOM = 0
OOF = 0 OOM = 0 AIS = 0
IAE = 0 BIAE = 0 SF_BER = 0
SD_BER = 0 BDI = 0 TIM = 0
FECMISMATCH = 0 FEC-UNC = 0 FLEXO_GIDM = 0
FLEXO-MM = 0 FLEXO-LOM = 0 FLEXO-RDI = 0
FLEXO-LOF = 2
Detected Alarms : None
```

```

Bit Error Rate Information
PREFEC BER           : 1.5E-03
POSTFEC BER          : 0.0E+00
-----
Q-Factor             : 9.40 dB

```

Q-Margin : 2.20dB

OTU TTI Received

FEC mode : C_FEC

- To gather the performance measurement data, use:

```

RP/0/RP0/CPU0:ron-8201-1#show controllers optics 0/0/0/20 pm current 30-sec optics 1
Thu Jun  3 15:39:40.428 PDT

```

Optics in the current interval [15:39:30 - 15:39:40 Thu Jun 3 2021]

Optics current bucket type : Valid

Configured TCA	MIN	AVG	MAX	Operational	Configured TCA	Operational		
				Th(min)	Th(min)	(min)	Th(max)	
Th(max) (max)								
LBC[%]	: 0.0	0.0	0.0	0.0	NA	NO	100.0	NA
NO								
OPT[dBm]	: -7.17	-7.17	-7.17	-15.09	NA	NO	0.00	NA
NO								
OPR[dBm]	: -9.86	-9.86	-9.85	-30.00	NA	NO	8.00	NA
NO								
CD[ps/nm]	: -489	-488	-488	-80000	NA	NO	80000	NA
NO								
DGD[ps]	: 1.00	1.50	2.00	0.00	NA	NO	80.00	NA
NO								
SOPMD[ps^2]	: 28.00	38.80	49.00	0.00	NA	NO	2000.00	NA
NO								
OSNR[dB]	: 34.90	35.12	35.40	0.00	NA	NO	40.00	NA
NO								
PDL[dB]	: 0.70	0.71	0.80	0.00	NA	NO	7.00	NA
NO								
PCR[rad/s]	: 0.00	0.00	0.00	0.00	NA	NO	2500000.00	NA
NO								
RX_SIG[dBm]	: -9.23	-9.22	-9.21	-30.00	NA	NO	1.00	NA
NO								
FREQ_OFF[Mhz]	: -2	-1	4	-3600	NA	NO	3600	NA
NO								
SNR[dB]	: 16.80	16.99	17.20	7.00	NA	NO	100.00	NA
NO								

```

RP/0/RP0/CPU0:ron-8201-1#show controllers coherentDSP 0/0/0/20 pm current 30-sec fec
Thu Jun  3 15:42:28.510 PDT

```

g709 FEC in the current interval [15:42:00 - 15:42:28 Thu Jun 3 2021]

FEC current bucket type : Valid

```

EC-BITS : 20221314973          Threshold : 83203400000          TCA(enable)
: YES
UC-WORDS : 0                  Threshold : 5                TCA(enable)
: YES

```

	MIN	AVG	MAX	Threshold	TCA	Threshold	TCA
				(min)	(enable)	(max)	(enable)
PreFEC BER	: 1.5E-03	1.5E-03	1.6E-03	0E-15	NO	0E-15	NO
PostFEC BER	: E-15	0E-15	0E-15	0E-15	NO	0E-15	NO
Q[dB]	: 9.40	9.40	9.40	0.00	NO	0.00	NO

```

Q_Margin[dB]: 2.20      2.20      2.20      0.00      NO      0.00      NO
Last clearing of "show controllers OTU" counters never

```

This table contains the streaming telemetry sensor paths and the information fields that you receive from them.

Sensor path	Information Fields
Cisco-IOS-XR-controller-optics-oper:optics-oper/optics-ports/optics-port/optics-info	alarm-detected, baud-rate, dwdm-carrier-frequency, controller-state, laser-state, optical-signal-to-noise-ratio, temperature, voltage
Cisco-IOS-XR-controller-optics-oper:optics-oper/optics-ports/optics-port/optics-lanes/optics-lane	receive-power, receive-signal-power, transmit-power
Cisco-IOS-XR-controller-otu-oper:otu/controllers/controller/info	bandwidth, ec-value, post-fec-ber, pre-fec-ber, qfactor, qmargin, uc
Cisco-IOS-XR-pmengine-oper:performance-management/optics/optics-ports/optics-port/optics-current/optics-second30/optics-second30-optics/optics-second30-optic	dd__average, dgd__average, opr__average, opt__average, osnr__average, pcr__average, pmd__average, rx-sig-pow__average, snr__average, sopmd__average
Cisco-IOS-XR-pmengine-oper:performance-management/otu/otu-ports/otu-port/otu-current/otu-second30/otu-second30fec/otu-second30fec	ec-bits__data, post-fec-ber__average, pre-fec-ber__average, q__average, qmargin__average, uc-words__data



Note The performance management sensor paths show the sensor path for a 30-second performance measurement (PM) interval. They also support 15 minutes and 24 hours. To access these options, replace `second30` in the sensor path with `minute15` and `hour24` respectively.

Crosswork Hierarchical Controller Provisioning

In the event of a failed configuration, the configuration state transitions to FAILED. The Last Operation is in the **Rollback** stage where it rolls back the configuration.

Figure 7: Crosswork Hierarchical Controller UI - Operations Tab

The screenshot shows the 'Operations' tab for a service. A table lists the operations, with one entry in a 'FAILED' state. Below the table, the details for the failed operation are shown, including the lifecycle state, creation date, and last update date. The 'Errors' tab is selected, displaying a detailed error message: 'Discovery took too long'. The error message is: 'Full error message: Discovery took too long'.

522178

After clicking the service, you can click on ERRORS to check the reason for failure. In this case, the discovery of the operational state exceeded the discovery timeout. The reason for this is, one end of the link was in a loopback state, which did not prohibit the provisioning of the ports, but affected the reachability between the two endpoints.

Figure 8: Crosswork Hierarchical Controller UI - Operations Tab

The screenshot shows the 'Errors' tab for the failed operation. The error message is: 'Discovery took too long'. The full error message is: 'Discovery took too long'.

522179

The logs display both the provisioning flow and the rollback flow.

Figure 9: Crosswork Hierarchical Controller UI - Operations Tab

The screenshot shows the 'Logs' tab for the failed operation. The logs display the provisioning flow and the rollback flow. The logs are: 'Normal Flow', 'Adapter #1: cnc30 ✓', 'create ip-link', 'create ip-link response', 'Rollback Flow', 'Adapter #1: cnc30 ✓', 'delete ip-link', 'delete ip-link response'.

522180