



# Troubleshooting

The sections provide information for troubleshooting problems on the Cisco NCS 4216.

- [Pinouts, on page 1](#)
- [LED Summary, on page 18](#)

## Pinouts

The sections describe the pinouts for the Cisco NCS 4216 interfaces.

### BITS Port Pinout

The following table summarizes the BITS port pinout of the Front Panel “Building Integrated Timing Supply” RJ48 port.

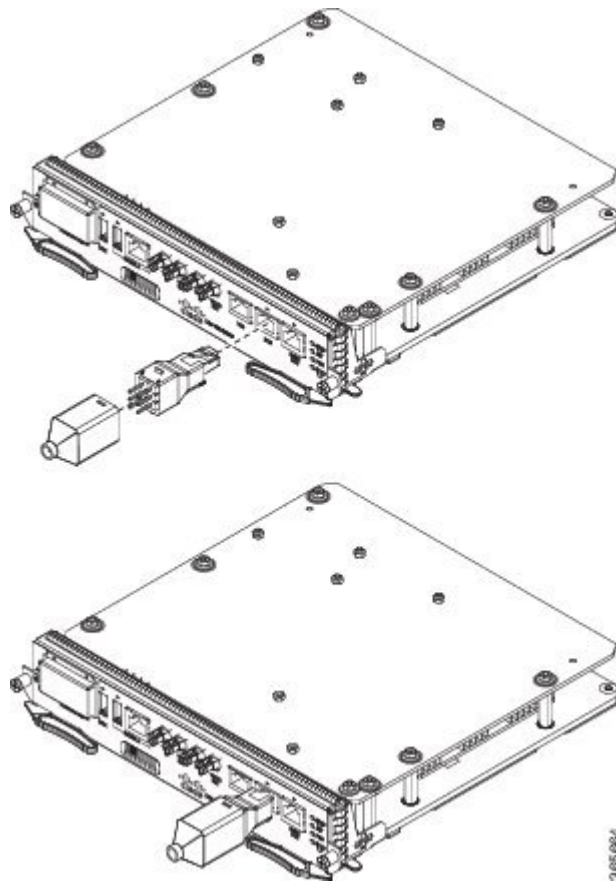
**Table 1: BITS Port Pinout**

<b>Pin</b>	<b>Signal Name</b>	<b>Direction</b>	<b>Description</b>
1	RX Ring	Input	Receive Ring
2	RX Tip	Input	Receive Tip
3	—	—	Not used
4	TX Ring	Output	TX Ring
5	TX Tip	Output	TX Tip
6	—	—	Not used
7	—	—	Not used
8	—	—	Not used

## Wire Wrap Adapter Pinouts

The wire wrap adapter is used to support the wire wrap interface for the BITS port on the RSP3 module. This adapter is plugged into the existing RJ-45 connector on the RSP3 module.

**Figure 1: Wire Wrap Adapter**



**Table 2: Wire Wrap Adapter Pinouts**

Wire Wrap Pin Numbers	Signals
1	RX_RING
2	RX_TIP
3	GND
4	GND
5	TX_RING
6	TX_TIP

## GPS Port Pinout

The platform is capable of receiving or sourcing GPS signals of 1 PPS & 10 MHz. These interfaces are provided by two mini-coax 50-Ohm, 1.0/2.3 DIN series connector on the front panel. Similarly there are two mini-coax 50-Ohm connectors provided in the front panel to output this 1PPS and 10MHz.

The table below summarizes the GPS port pinouts.

**Table 3: GPS Port Pinout**

	<b>10 Mhz (input and output)</b>	<b>1PPS (input and output)</b>
Waveform	Input—Sine wave Output—Square wave	Input—Pulse shape Output—Pulse shape
Amplitude	Input— > 1.7 volt p-p(+8 to +10 dBm) Output— > 2.4 volts TTL compatible	Input— > 2.4 volts TTL compatible Output— > 2.4 volts TTL compatible
Impedance	50 ohms	50 ohms
Pulse Width	50% duty cycle	26 microseconds
Rise Time	Input—AC coupled Output—5 nanoseconds	40 nanoseconds

## Alarm Port Pinout

The table below summarizes the external alarm input pinout.

**Table 4: External Alarm Input Pinout**

<b>Pin</b>	<b>Signal Name</b>	<b>Description</b>
1	ALARM0_IN	Alarm input 0
2	ALARM1_IN	Alarm input 1
3	—	No connect
4	ALARM2_IN	Alarm input 2
5	ALARM3_IN	Alarm input 3
6	—	No connect
7	—	No connect
8	COMMON	Alarm common

## Console/Aux RJ45 RS232 Serial Port Pinout

The following table summarizes the console/aux RJ45 RS232 serial port pinout.

*Table 5: Console/Aux RJ45 RS232 serial port*

Pin	Signal Name	Direction	Description
1	RTS	Not Used	—
2	DTR	Not Used	—
3	TXD	Output	Transmit data
4	RI	Not Used	—
5	GND	—	—
6	RXD	Input	Receive data
7	DSR/DCD	Not Used	—
8	CTS	Not Used	—

## T1/E1 Port Pinouts (RJ-48)

The figure below shows the RJ-48C connector wiring for the T1/E1 cable for the Cisco 2-port T1/E1-RAN interface card. The table shows the pinout configuration for the RJ-48C connectors on the Cisco 2-port T1/E1-RAN interface card for both the shielded and unshielded cables for either T1 or E1.

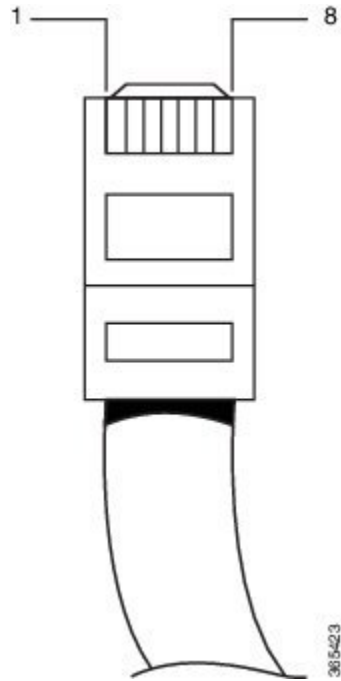



---

**Note** Cisco recommends using a shielded cable for your RJ-48C connectors.

---

Figure 2: RJ-48C Connector Wiring



Shielded		Unshielded	
Pin	Description	Pin	Description
1	Receive Ring	1	Receive Ring
2	Receive Tip	2	Receive Tip
3	Receive Shield	3	—
4	Transmit Ring	4	Transmit Ring
5	Transmit Tip	5	Transmit Tip
6	Transmit Shield	6	—
7	Not Used	7	—
8	Not Used	8	—

## AMP64 Pinouts

Table 6: Port 0-23 RX

Pin Number	Signal Name	Pin	Signal
1	RX Ring Port 0	33	RX Tip Port 0

Pin Number	Signal Name	Pin	Signal
2	RX Ring Port 1	34	RX Tip Port 1
3	RX Ring Port 2	35	RX Tip Port 2
4	RX Ring Port 3	36	RX Tip Port 3
5	RX Ring Port 4	37	RX Tip Port 4
6	RX Ring Port 5	38	RX Tip Port 5
7	RX Ring Port 6	39	RX Tip Port 6
8	RX Ring Port 7	40	RX Tip Port 7
9	RX Ring Port 8	41	RX Tip Port 8
10	RX Ring Port 9	42	RX Tip Port 9
11	RX Ring Port 10	43	RX Tip Port 10
12	RX Ring Port 11	44	RX Tip Port 11
13	RX Ring Port 12	45	RX Tip Port 12
14	RX Ring Port 13	46	RX Tip Port 13
15	RX Ring Port 14	47	RX Tip Port 14
16	RX Ring Port 15	48	RX Tip Port 15
17	RX Ring Port 16	49	RX Tip Port 16
18	RX Ring Port 17	50	RX Tip Port 17
19	RX Ring Port 18	51	RX Tip Port 18
20	RX Ring Port 19	52	RX Tip Port 19
21	RX Ring Port 20	53	RX Tip Port 20
22	RX Ring Port 21	54	RX Tip Port 21
23	RX Ring Port 22	55	RX Tip Port 22
24	RX Ring Port 23	56	RX Tip Port 23
25	Open	57	Open
26	Open	58	Open
27	Open	59	Open
28	Open	60	Open
29	Open	61	Open

Pin Number	Signal Name	Pin	Signal
30	Open	62	Open
31	Open	63	Open
32	Open	64	Open

**Table 7: Port 24-47 RX**

Pin Number	Signal Name	Pin	Signal
1	RX Ring Port 24	33	RX Tip Port 24
2	RX Ring Port 25	34	RX Tip Port 25
3	RX Ring Port 26	35	RX Tip Port 26
4	RX Ring Port 27	36	RX Tip Port 27
5	RX Ring Port 28	37	RX Tip Port 28
6	RX Ring Port 29	38	RX Tip Port 29
7	RX Ring Port 30	39	RX Tip Port 30
8	RX Ring Port 31	40	RX Tip Port 31
9	RX Ring Port 32	41	RX Tip Port 32
10	RX Ring Port 33	42	RX Tip Port 33
11	RX Ring Port 34	43	RX Tip Port 34
12	RX Ring Port 35	44	RX Tip Port 35
13	RX Ring Port 36	45	RX Tip Port 36
14	RX Ring Port 37	46	RX Tip Port 37
15	RX Ring Port 38	47	RX Tip Port 38
16	RX Ring Port 39	48	RX Tip Port 39
17	RX Ring Port 40	49	RX Tip Port 40
18	RX Ring Port 41	50	RX Tip Port 41
19	RX Ring Port 42	51	RX Tip Port 42
20	RX Ring Port 43	52	RX Tip Port 43
21	RX Ring Port 44	53	RX Tip Port 44
22	RX Ring Port 45	54	RX Tip Port 45

Pin Number	Signal Name	Pin	Signal
23	RX Ring Port 46	55	RX Tip Port 46
24	RX Ring Port 47	56	RX Tip Port 47
25	Open	57	Open
26	Open	58	Open
27	Open	59	Open
28	Open	60	Open
29	Open	61	Open
30	Open	62	Open
31	Open	63	Open
32	Open	64	Open

**Table 8: Port 0-23 TX**

Pin Number	Signal Name	Pin	Signal
1	TX Ring Port 0	33	TX Tip Port 0
2	TX Ring Port 1	34	TX Tip Port 1
3	TX Ring Port 2	35	TX Tip Port 2
4	TX Ring Port 3	36	TX Tip Port 3
5	TX Ring Port 4	37	TX Tip Port 4
6	TX Ring Port 5	38	TX Tip Port 5
7	TX Ring Port 6	39	TX Tip Port 6
8	TX Ring Port 7	40	TX Tip Port 7
9	TX Ring Port 8	41	TX Tip Port 8
10	TX Ring Port 9	42	TX Tip Port 9
11	TX Ring Port 10	43	TX Tip Port 10
12	TX Ring Port 11	44	TX Tip Port 11
13	TX Ring Port 12	45	TX Tip Port 12
14	TX Ring Port 13	46	TX Tip Port 13
15	TX Ring Port 14	47	TX Tip Port 14



Pin Number	Signal Name	Pin	Signal
16	TX Ring Port 15	48	TX Tip Port 15
17	TX Ring Port 16	49	TX Tip Port 16
18	TX Ring Port 17	50	TX Tip Port 17
19	TX Ring Port 18	51	TX Tip Port 18
20	TX Ring Port 19	52	TX Tip Port 19
21	TX Ring Port 20	53	TX Tip Port 20
22	TX Ring Port 21	54	TX Tip Port 21
23	TX Ring Port 22	55	TX Tip Port 22
24	TX Ring Port 23	56	TX Tip Port 23
25	Open	57	Open
26	Open	58	Open
27	Open	59	Open
28	Open	60	Open
29	Open	61	Open
30	Open	62	Open
31	Open	63	Open
32	Open	64	Open

**Table 9: Port 24-47 TX**

Pin Number	Signal Name	Pin	Signal
1	TX Ring Port 24	33	TX Tip Port 24
2	TX Ring Port 25	34	TX Tip Port 25
3	TX Ring Port 26	35	TX Tip Port 26
4	TX Ring Port 27	36	TX Tip Port 27
5	TX Ring Port 28	37	TX Tip Port 28
6	TX Ring Port 29	38	TX Tip Port 29
7	TX Ring Port 30	39	TX Tip Port 30
8	TX Ring Port 31	40	TX Tip Port 31

Pin Number	Signal Name	Pin	Signal
9	TX Ring Port 32	41	TX Tip Port 32
10	TX Ring Port 33	42	TX Tip Port 33
11	TX Ring Port 34	43	TX Tip Port 34
12	TX Ring Port 35	44	TX Tip Port 35
13	TX Ring Port 36	45	TX Tip Port 36
14	TX Ring Port 37	46	TX Tip Port 37
15	TX Ring Port 38	47	TX Tip Port 38
16	TX Ring Port 39	48	TX Tip Port 39
17	TX Ring Port 40	49	TX Tip Port 40
18	TX Ring Port 41	50	TX Tip Port 41
19	TX Ring Port 42	51	TX Tip Port 42
20	TX Ring Port 43	52	TX Tip Port 43
21	TX Ring Port 44	53	TX Tip Port 44
22	TX Ring Port 45	54	TX Tip Port 45
23	TX Ring Port 46	55	TX Tip Port 46
24	TX Ring Port 47	56	TX Tip Port 47
25	Open	57	Open
26	Open	58	Open
27	Open	59	Open
28	Open	60	Open
29	Open	61	Open
30	Open	62	Open
31	Open	63	Open
32	Open	64	Open

## Patch Panel Pinout

The table below summarizes the patch panel pinouts of the connectors from the 48 port T1/E1 DIN, RJ48, AMP64, and 48 port T3/E3 DIN, HDBNC connectors that connects to the interface module (IM).

Table 10: Patch Panel Pinout

Pin	Signal Name Connector (0-15)	Signal Name Connector (16-31)	Signal Name Connector (32-47)
1	TX_PORT15_RING	TX_PORT31_RING	TX_PORT47_RING
2	TX_PORT15_TIP	TX_PORT31_TIP	TX_PORT47_TIP
3	TX_PORT14_RING	TX_PORT30_RING	TX_PORT46_RING
4	TX_PORT14_TIP	TX_PORT30_TIP	TX_PORT46_TIP
5	TX_PORT13_RING	TX_PORT29_RING	TX_PORT45_RING
6	TX_PORT13_TIP	TX_PORT29_TIP	TX_PORT45_TIP
7	TX_PORT12_RING	TX_PORT28_RING	TX_PORT44_RING
8	TX_PORT12_TIP	TX_PORT28_TIP	TX_PORT44_TIP
9	TX_PORT11_RING	TX_PORT27_RING	TX_PORT43_RING
10	TX_PORT11_TIP	TX_PORT27_TIP	TX_PORT43_TIP
11	TX_PORT10_RING	TX_PORT26_RING	TX_PORT42_RING
12	TX_PORT10_TIP	TX_PORT26_TIP	TX_PORT42_TIP
13	TX_PORT9_RING	TX_PORT25_RING	TX_PORT41_RING
14	TX_PORT9_TIP	TX_PORT25_TIP	TX_PORT41_TIP
15	TX_PORT8_RING	TX_PORT24_RING	TX_PORT40_RING
16	TX_PORT8_TIP	TX_PORT24_TIP	TX_PORT40_TIP
17	—	—	—
18	—	—	—
19	TX_PORT7_RING	TX_PORT23_RING	TX_PORT39_RING
20	TX_PORT7_TIP	TX_PORT23_TIP	TX_PORT39_TIP
21	TX_PORT6_RING	TX_PORT22_RING	TX_PORT38_RING
22	TX_PORT6_TIP	TX_PORT22_TIP	TX_PORT38_TIP
23	TX_PORT5_RING	TX_PORT21_RING	TX_PORT37_RING
24	TX_PORT5_TIP	TX_PORT21_TIP	TX_PORT37_TIP
25	TX_PORT4_RING	TX_PORT20_RING	TX_PORT36_RING
26	TX_PORT4_TIP	TX_PORT20_TIP	TX_PORT36_TIP

<b>Pin</b>	<b>Signal Name Connector (0-15)</b>	<b>Signal Name Connector (16-31)</b>	<b>Signal Name Connector (32-47)</b>
27	TX_PORT3_RING	TX_PORT19_RING	TX_PORT35_RING
28	TX_PORT3_TIP	TX_PORT19_TIP	TX_PORT35_TIP
29	TX_PORT2_RING	TX_PORT18_RING	TX_PORT34_RING
30	TX_PORT2_TIP	TX_PORT18_TIP	TX_PORT34_TIP
31	TX_PORT1_RING	TX_PORT17_RING	TX_PORT33_RING
32	TX_PORT1_TIP	TX_PORT17_TIP	TX_PORT33_TIP
33	TX_PORT0_RING	TX_PORT16_RING	TX_PORT32_RING
34	TX_PORT0_TIP	TX_PORT16_TIP	TX_PORT32_TIP
35	RX_PORT15_RING	RX_PORT31_RING	RX_PORT47_RING
36	RX_PORT15_TIP	RX_PORT31_TIP	RX_PORT47_TIP
37	RX_PORT14_RING	RX_PORT30_RING	RX_PORT46_RING
38	RX_PORT14_TIP	RX_PORT30_TIP	RX_PORT46_TIP
39	RX_PORT13_RING	RX_PORT29_RING	RX_PORT45_RING
40	RX_PORT13_TIP	RX_PORT29_TIP	RX_PORT45_TIP
41	RX_PORT12_RING	RX_PORT28_RING	RX_PORT44_RING
42	RX_PORT12_TIP	RX_PORT28_TIP	RX_PORT44_TIP
43	RX_PORT11_RING	RX_PORT27_RING	RX_PORT43_RING
44	RX_PORT11_TIP	RX_PORT27_TIP	RX_PORT43_TIP
45	RX_PORT10_RING	RX_PORT26_RING	RX_PORT42_RING
46	RX_PORT10_TIP	RX_PORT26_TIP	RX_PORT42_TIP
47	RX_PORT9_RING	RX_PORT25_RING	RX_PORT41_RING
48	RX_PORT9_TIP	RX_PORT25_TIP	RX_PORT41_TIP
49	RX_PORT41_TIP	RX_PORT24_RING	RX_PORT40_RING
50	RX_PORT8_TIP	RX_PORT24_TIP	RX_PORT40_TIP
51	—	—	—
52	—	—	—
53	RX_PORT7_RING	RX_PORT23_RING	RX_PORT39_RING

Pin	Signal Name Connector (0-15)	Signal Name Connector (16-31)	Signal Name Connector (32-47)
54	RX_PORT7_TIP	RX_PORT23_TIP	RX_PORT39_TIP
55	RX_PORT6_RING	RX_PORT22_RING	RX_PORT38_RING
56	RX_PORT6_TIP	RX_PORT22_TIP	RX_PORT38_TIP
57	RX_PORT5_RING	RX_PORT21_RING	RX_PORT37_RING
58	RX_PORT5_TIP	RX_PORT21_TIP	RX_PORT37_TIP
59	RX_PORT4_RING	RX_PORT20_RING	RX_PORT36_RING
60	RX_PORT4_TIP	RX_PORT20_TIP	RX_PORT36_TIP
61	RX_PORT3_RING	RX_PORT19_RING	RX_PORT35_RING
62	RX_PORT3_TIP	RX_PORT19_TIP	RX_PORT35_TIP
63	RX_PORT2_RING	RX_PORT18_RING	RX_PORT34_RING
64	RX_PORT2_TIP	RX_PORT18_TIP	RX_PORT34_TIP
65	RX_PORT1_RING	RX_PORT17_RING	RX_PORT33_RING
66	RX_PORT1_TIP	RX_PORT17_TIP	RX_PORT33_TIP
67	RX_PORT0_RING	RX_PORT16_RING	RX_PORT32_RING
68	RX_PORT0_TIP	RX_PORT16_TIP	RX_PORT32_TIP

The table below summarizes the 3G patch panel pinouts of the connectors that connects to the interface module (IM).

**Table 11: 3G Patch Panel Pinout**

Pin	Signal Name Connector (0-15)	Signal
1	TX_PORT15_RING	DS3
2	TX_PORT15_TIP	DS3
3	TX_PORT14_RING	DS3
4	TX_PORT14_TIP	DS3
5	TX_PORT13_RING	DS3
6	TX_PORT13_TIP	DS3
7	TX_PORT12_RING	DS3

Pin	Signal Name Connector (0-15)	Signal
8	TX_PORT12_TIP	DS3
9	TX_PORT11_RING	DS1
10	TX_PORT11_TIP	DS1
11	TX_PORT10_RING	DS1
12	TX_PORT10_TIP	DS1
13	TX_PORT9_RING	DS1
14	TX_PORT9_TIP	DS1
15	TX_PORT8_RING	DS1
16	TX_PORT8_TIP	DS1
17	—	—
18	—	—
19	TX_PORT7_RING	DS1
20	TX_PORT7_TIP	DS1
21	TX_PORT6_RING	DS1
22	TX_PORT6_TIP	DS1
23	TX_PORT5_RING	DS1
24	TX_PORT5_TIP	DS1
25	TX_PORT4_RING	DS1
26	TX_PORT4_TIP	DS1
27	TX_PORT3_RING	DS1
28	TX_PORT3_TIP	DS1
29	TX_PORT2_RING	DS1
30	TX_PORT2_TIP	DS1
31	TX_PORT1_RING	DS1
32	TX_PORT1_TIP	DS1
33	TX_PORT0_RING	DS1
34	TX_PORT0_TIP	DS1

Pin	Signal Name Connector (0-15)	Signal
35	RX_PORT15_RING	DS3
36	RX_PORT15_TIP	DS3
37	RX_PORT14_RING	DS3
38	RX_PORT14_TIP	DS3
39	RX_PORT13_RING	DS3
40	RX_PORT13_TIP	DS3
41	RX_PORT12_RING	DS3
42	RX_PORT12_TIP	DS3
43	RX_PORT11_RING	DS1
44	RX_PORT11_TIP	DS1
45	RX_PORT10_RING	DS1
46	RX_PORT10_TIP	DS1
47	RX_PORT9_RING	DS1
48	RX_PORT9_TIP	DS1
49	RX_PORT8_RING	DS1
50	RX_PORT8_TIP	DS1
51	—	—
52	—	—
53	RX_PORT7_RING	DS1
54	RX_PORT7_TIP	DS1
55	RX_PORT6_RING	DS1
56	RX_PORT6_TIP	DS1
57	RX_PORT5_RING	DS1
58	RX_PORT5_TIP	DS1
59	RX_PORT4_RING	DS1
60	RX_PORT4_TIP	DS1
61	RX_PORT3_RING	DS1

Pin	Signal Name Connector (0-15)	Signal
62	RX_PORT3_TIP	DS1
63	RX_PORT2_RING	DS1
64	RX_PORT2_TIP	DS1
65	RX_PORT1_RING	DS1
66	RX_PORT1_TIP	DS1
67	RX_PORT0_RING	DS1
68	RX_PORT0_TIP	DS1

## Management Ethernet Port Pinout

A single management copper ENET port supporting 10/100/1000Base-T operation exists on each RSP. There is no direct access to the CPU of the other RSP. It uses a standard RJ45 jack.



**Note** This is not a data plane port.

The table below summarizes the Management Ethernet port pinout.

**Table 12: Management Ethernet Port Pinout**

R#	Signal Name
1	TRP0+
2	TRP0-
3	TRP1+
4	TRP1-
5	TRP2+
6	TRP2-
7	TRP3+
8	TRP3-



## USB Console Port Pinout

Two individual Type-A USB connector are used for USB console and USB mass storage. One single USB 2.0 Type-A receptacle is provided on the RSP front panel for providing console access to ROMMON, IOS-XE and diagnostics. It operates as a USB peripheral only for connection to an external host PC. This requires the use of a Type-A to Type-A connector instead of a standard USB cable.



**Note** The use of the USB console is mutually exclusive with the RS232 console/Aux port. While a USB cable is inserted, access is automatically switched to this port.

The other single USB 2.0 Type-A receptacle is provided on the RSP front panel for inserting external USB mass storage devices such as standard USB flash drives. It is used to load images, store configurations, write logs, etc. It supports operation up to 12Mbps.

The table below summarizes the USB console port pinout.

*Table 13: Single USB Console Port*

Pin	Signal Name	Direction	Description
A1	Vcc	—	+5VDC (500mA)
A2	D-	—	Data -
A3	D+	—	Data +
A4	Gnd	—	Ground



**Note** The USB Console port +5VDC is input and operates as an USB peripheral device.

## USB Flash/MEM Port Pinout

The table below summarizes the USB flash/MEM port pinout.

*Table 14: Single USB Flash/MEM Port*

Pin	Signal Name	Direction	Description
A1	Vcc	—	+5VDC (500mA)
A2	D-	—	Data -
A3	D+	—	Data +

Pin	Signal Name	Direction	Description
A4	Gnd	—	Ground




---

**Note** USB TYPE-A receptacle used.

---




---

**Note** The USB flash/MEM port +5VDC is output. We provide power for USB flash/MEM, and it operates as a USB host device.

---

## Fiber-Optic Specifications

The specification for optical fiber transmission defines two types of fiber:

- single-mode
- multimode

Within the single-mode category, three transmission types are defined: short reach, intermediate reach, and long reach. Within the multimode category, only short reach is available. For information about optical SFP modules, see the documentation for the SFP module at:

[http://www.cisco.com/en/US/partner/products/hw/modules/ps5455/prod\\_installation\\_guides\\_list.html](http://www.cisco.com/en/US/partner/products/hw/modules/ps5455/prod_installation_guides_list.html).

## LED Summary

The sections describe the meanings of the LEDs on the Cisco NCS 4216.

### RSP LEDs

The *RSP LEDs* table below summarizes the RSP LEDs.




---

**Note** A major alarm condition indicates the failure of a single fan in the fan tray; a critical alarm indicates the failure of multiple fans. In the event that a single fan fails, the Cisco NCS 4216 software adjusts the fan speed to prevent excessive heat within the chassis.

---

## NCS4216-RSP LED

**Table 15: RSP LEDs**

LED	Color/State	Description (two LEDs for each port)
Power (PWR)	Off	Disabled/no power to RSP
	Green	Power rails on RSP in range
Status (STAT)	Off	Disabled/power down
	Red	Failure to boot (lit at reset)
	Yellow	Rommon booted
	Green	IOS booted and running
Active (ACT)	Off	Not available
	Yellow	Standby (indicates standby RSP)
	Green	Active (indicates active RSP)
Management port (MGMT)	Off	No connection
	Green	Connected with no activity
	Flashing green	Connected with activity
Sync status (SYNC)	Off	Not enabled
	Yellow	Free run
	Flashing yellow	Holdover
	Green	Locked to source
USB flash (MEM)	Flashing green	USB activity
BITS	Off	Out of service/not configured
	Amber	Fault or loop condition
	Green	In frame/working properly

## NCS4216-RSP-800 LED

Table 16: RSP LEDs

LED	Color/State	Description (two LEDs for each port)
Power (PWR)	Off	Disabled/no power to RSP
	Green	Power rails on RSP in range
Status (STAT)	Off	Disabled/power down
	Red	Failure to boot (lit at reset)
	Yellow	Rommon booted
	Green	IOS booted and running
Active (ACT)	Off	Not available
	Yellow	Standby (indicates standby RSP)
	Green	Active (indicates active RSP)
Management port (MGMT)	Off	No connection
	Green	Connected with no activity
	Flashing green	Connected with activity
Sync status (SYNC)	Off	Not enabled
	Yellow	Free run
	Flashing yellow	Holdover
	Green	Locked to source
BITS	Off	Out of service/not configured
	Amber	Fault or loop condition
	Green	In frame/working properly

Table 17: RSP4 LED Details

PWR	STATS	Active/Standby	SYNC LED	PWR DWN LED	Indication
Light Green	—	—	—	—	Power OK
OFF	Flashing Red	—	—	—	Secure Jtag error

PWR	STATS	Active/Standby	SYNC LED	PWR DWN LED	Indication
OFF	Amber	—	—	—	BIOS Image validation failure
—	OFF	Yellow	—	—	Micro-controller Sub-system not ready
—	OFF	Amber	—	—	TAM init failure
OFF	OFF	Blinking Yellow	—	—	TAM not ready
OFF	Red	—	—	—	FPGA PLL failure
OFF	OFF	OFF	—	Flashing Yellow	Thermal Shutdown
OFF	OFF	OFF	—	Yellow	Software triggered shutdown
OFF	OFF	OFF	—	Green	Peer RSP shutdown

### NCS4216-RSP LED Fault Condition

The PWR and STAT LEDs are available on the front panel. These LEDs provide power on the board (PWR) and overall router health (STAT) status. During power up state, these LEDs provide booting status and report errors.



**Note** The digital code signing functionality validates the integrity and authenticity of the ROMMON image before booting it.

**Table 18: NCS4216-RSP LED**

PWR LED State	STAT LED State	Indication	Comment
Light Green	Red	Power is OK and the field-programmable gate array (FPGA) is nfigured successfully, but FPGA image validation failed.	Image validation failed. System is in hung state.

PWR LED State	STAT LED State	Indication	Comment
Flashing Light Green and Green alternatively	Off	FPGA configured and core validated successfully.  FPGA image passed the control to micro-loader to boot ROMMON.	System is up with ROMMON. Both the FPGA image is validated successfully, but the booted ROMMON (primary or secondary) is undetermined.
	Amber	The digital code signing functionality reported upgrade FPGA image validation error and is continuing with the FPGA image.	System is up with ROMMON. FPGA image is validated successfully, but the booted ROMMON (primary or secondary) is undetermined.
	Red	The digital code signing functionality reported failure in the ROMMON image validation.	FPGA is up but both primary and secondary ROMMON failed. System is in hung state.
Green	Off	IOS is successfully booted	IOS writes into FPGA register to indicate that it has booted, FPGA stops flashing PWR LED and turns Green. Software now controls the STAT LED.

## Interface Module LEDs

This LED summary applies to the following interface modules:

- 8x1 Gigabit Ethernet SFP + 1x10 Gigabit Ethernet SFP+ Interface Module
- 1-port OC-192 Interface Module with 8-port Low Rate CEM Interface Module (10G HO / 10G LO)
- 2-port 40 Gigabit Ethernet Interface Module (2X40GE)
- 1-port 100 Gigabit Ethernet (QSFP) Interface Module (2X100GE)
- 1-port 100 Gigabit Ethernet Interface Module (1X100GE)
- 8-port 10 Gigabit Ethernet Interface Module (8X10GE)
- 48-port T1/E1 TDM Interface Module (48XT1/E1)
- 48-port T3/E3 TDM Interface Module (48XT3/E3)
- 8/16-port 1 Gigabit Ethernet (SFP/SFP) + 1-port 10 Gigabit Ethernet (SFP+) / 2-port 1 Gigabit Ethernet (CSFP) Interface Module

The Status LED is Amber for the 10 Gigabit Ethernet ports when operating in WAN mode for the following IMS:

- 8x1 Gigabit Ethernet SFP + 1x10 Gigabit Ethernet SFP+ Interface Module

**Table 19: Interface Module LEDs**

LED	Color/State	Description
Power (PWR)	Off	Disabled/no power to IM
	Green	Enabled and power rails on IM in range
Status (STAT)	Off	Disabled/power-down
	Red	Failure (on at reset)
	Flashing Red	Booting (if local CPU)
	Green	Operational
Link status (L)	Off	Inactive or no connection
	Amber	Fault/loop condition
	Green	Ok with activity or no activity
Speed (S)	Off	Inactive port status
	Green	Activity or no activity

## OC-192 Interface Module with 8-port Low Rate CEM Interface Module (10G HO / 10G LO) Interface Module LEDs

The table below summarizes the LEDs for the OC-192 Interface Module with 8-port Low Rate CEM Interface Module (10G HO / 10G LO) interface module.

**Table 20: OC-192 Interface Module with 8-port Low Rate CEM Interface Module (10G HO / 10G LO) Interface Module LEDs**

LED	Color or State	Description
Power (PWR)	Green	All power rails are within specification
	Red	Disabled
	Off	No power to IM
Status (STAT)	Green	Operational
	Red	Failure
	Off	Disabled
SFP Link (left LED)	Green	Link is up
	Yellow	Fault/Error/Alarm
	Off	Disabled

LED	Color or State	Description
SFP speed mode (right LED)	Yellow	SONET/SDH
	Off	Disabled
10G SFP+ Link (left LED)	Green	Link is up
	Yellow	Fault/Error/Alarm
	Off	Disabled
10G SFP+ Speed mode (right LED)	Yellow	SONET/SDH
	Off	Disabled

### 48 T1/E1 and 48 T3/E3 Interface Module LEDs

The table below summarizes the LEDs for the 48 T1/E1 and 48 T3/E3 interface module.

*Table 21: 48 T1/E1 and 48 T3/E3 Interface Module LEDs*

LED	Color/State	Meaning (Default=off)
Power (PWR)	Green	All power rails are within spec
	Red	Disabled
	Off	No power to Interface Module
Operating Status (STATUS)	Green	Operational
	Red	Failure
	Off	Disabled or power-down
Port Status (PORT)	Green	All ports are UP
	Amber	All least one port is down
	Off	All ports are disabled or shut down
Activity Status (ACT)	Green	Interface Module is Active or Standby
	Off	Interface Module is disabled or shut down

### 8-port 10 Gigabit Ethernet Interface Module LEDs

The table below summarizes the 8-port 10 Gigabit ethernet interface module.



**Table 22: 8-port 10 Gigabit ethernet Interface Module LEDs**

LED	Color/State	Description
Power (PWR)	Green	All power rails are within specification
	Red	Disabled
	Off	No power to Interface Module
Operating Status (STAT)	Red	Failure
	Off	Disabled or Power-Down
	Green	Operational
10G SFP+ Link (Left LED)	Off	Disabled or No link
	Yellow	Fault or Error
	Green	Link with no activity
	Green	Link with activity
10G SFP+ Speed/Mode (Right LED)	Yellow	10Gbps WAN
	Green	10 Gbps LAN
	Alternating Yellow or Green	10 Gbps OTN
	Off	Disabled

## 1-port 100 Gigabit Ethernet Interface Module LEDs

The table below summarizes the 1-port 100 Gigabit ethernet interface module.

**Table 23: 1-port 100 Gigabit Ethernet Interface Module LEDs**

LED	Color/State	Description
Power (PWR)	Green	All power rails are within specification
	Red	Disabled
	Off	No power to Interface Module
Operating Status (STAT)	Red	Failure
	Off	Disabled or Power-Down
	Green	Operational

LED	Color/State	Description
100G CPAK Link LED	Off	Disabled or No link
	Yellow	Fault or Error
	Green	Link with activity
	Green	Link with no activity

## 2-port 40 Gigabit Ethernet Interface Module LEDs

The table below summarizes the 2-port 40 Gigabit ethernet interface module.

**Table 24: 2-port 40 Gigabit Ethernet Interface Module LEDs**

LED	Color/State	Description
Power (PWR)	Green	All power rails are within spec
	Red	Disabled
	Off	No power to Interface Module
Operating Status (STAT)	Red	Failure
	Off	Disabled or Power-Down
	Green	Operational
40G QSFP+ Link LED	Off	Disabled or No link
	Yellow	Fault or Error
	Green	Link with activity
	Green	Link with no activity

## Power Supply LEDs

The table below summarizes the power supply LEDs for both the AC and DC power supplies.

**Table 25: Power Supply LEDs**

LED	Color/State	Description
Input OK	Off	No Input Voltage
	Amber	Input voltage out of range
	Green	Input voltage within acceptable operating range

LED	Color/State	Description
Output Fail	Off	Disabled/Forced Shut down/No input power
	Red	Power supply fault (internal failure such as over temperature)
	Green	Operational
	Blinking Red	Output ORING FET Failed

**Table 26: Power Supply LEDs**

LED	Color/State	Description
Input Power (PWR)	Off	No input voltage
	Amber	Input voltage out of range
	Green	Input voltage within acceptable operating range
Status (STAT)	Off	Disabled/power-down/no power
	Red	Power supply fault (internal failure)
	Green	Operational

## Fan Tray LEDs

The table below summarizes the fan tray LEDs.

**Table 27: Fan Tray LEDs**

LED	Color/State	Description
Status (TEMP)	Off	Disabled/power down
	Amber	Over temperature
	Green	OK
Minor (MIN)	Off	No minor alarm
	Amber	Minor alarm
Major (MAJ)	Off	No major alarm
	Red	Major alarm
Critical (CRIT)	Off	No critical alarm
	Red	Critical alarm (defaults to ON upon RSP reset)

LED	Color/State	Description
Fan 1 (FAN-1)	Green	Fan rotation in range
	Red	One or more fan fault
Fan 2 (FAN-2)	Green	Fan rotation in range
	Red	One or more fan fault
Fan 3 (FAN-3)	Green	Fan rotation in range
	Red	One or more fan fault
-48V_A feed (-48V_A)	Green	Feed is in range
	Red	Feed failure
-48V_B feed (-48V_B)	Green	Feed is in range
	Red	Feed failure

## Alarm Conditions

The table below summarizes the meaning of alarm conditions on the Cisco NCS 4216.

**Table 28: Alarm Condition Summary**

Alarm Type	Alarm Meaning
Critical	RSP OIR
	Power supply OIR
	Port in down state
	Environmental sensor threshold exceeded (voltage, temperature)
	IM OIR
	IM crash
Major	Standby RSP in ROMmon mode
	RSP removed
	RSP failure
Info	Port administratively shut down