



Cisco NCS 4216 F2B Hardware Installation Guide

First Published: 2017-05-02

Last Modified: 2019-07-31

Americas Headquarters

Cisco Systems, Inc.
170 West Tasman Drive
San Jose, CA 95134-1706
USA
<http://www.cisco.com>
Tel: 408 526-4000
800 553-NETS (6387)
Fax: 408 527-0883



CONTENTS

CHAPTER 1

Cisco NCS 4216 14RU Overview 1

Cisco NCS 4216 14RU Features 1

System Specifications 4

GNSS Module (NCS4216-CM-GNSS) 4

GNSS Module RF Input Requirements 5

Power Supply Features 5

Redundancy 6

Dying Gasp 6

Status LEDs 6

Fan Tray 6

Dust Filter (NCS4216-F2B-FAN-F) 7

Door 7

RSP Modules 9

Supported RSPs 9

Supported RSP Features 9

RSP Redundancy 11

Network Timing Interfaces 12

RSP Interfaces 12

Interface Modules 13

8-port 10 Gigabit Ethernet Interface Module (8X10GE) 13

1-port 100 Gigabit Ethernet Interface Module (1X100GE) 14

2-Port 100 Gigabit Ethernet Interface Module (2X100GE) 14

8x1 Gigabit Ethernet SFP+ 1x10 Gigabit Ethernet SFP+ Combination Interface Module 16

2-port 40 Gigabit Ethernet QSFP Interface Module (2X40GE) 16

8/16-port 1 Gigabit Ethernet (SFP/SFP) + 1-port 10 Gigabit Ethernet (SFP+) / 2-port 1 Gigabit Ethernet (CSFP) Interface Module 17

OC-192 Interface Module with 8-port Low Rate CEM Interface Module (10G HO / 10G LO) **18**

NCS 4200 1-Port OC-192 or 8-Port Low Rate CEM 20G Bandwidth Interface Module
(NCS4200-1T8S-20CS) **18**

48 X T1/E1 CEM Interface Module **20**

48 X T3/E3 CEM Interface Module **20**

1-Port OC48/ STM-16 or 4-port OC-12/OC-3 / STM-1/STM-4 + 12-port T1/E1 + 4-Port T3/E3
CEM Interface Module **21**

Temperature Sensor **22**

Patch Panels **22**

Interface Numbering **25**

Regulatory Compliance **25**

CHAPTER 2

Preparing for Installation 27

Safety Guidelines **27**

Standard Warning Statements **27**

Safety Guidelines for Personal Safety and Equipment Protection **30**

Safety Precautions for Module Installation and Removal **30**

Safety with Electricity **31**

Power Supply Considerations **35**

Preventing ESD Damage **36**

Site Planning **36**

General Precautions **36**

Site Planning Checklist **37**

Site Selection Guidelines **37**

Environmental Requirements **37**

Physical Characteristics **38**

Assembly Guidelines **38**

Air Flow Guidelines **38**

Air Flow Guidelines for Enclosed Rack Installation **40**

Floor Loading Considerations **41**

Site Power Guidelines **41**

Electrical Circuit Requirements **42**

Site Cabling Guidelines **42**

Asynchronous Terminal Connections **43**

Interference Considerations	43
Rack-Mounting Guidelines	44
Precautions for Rack-Mounting	44
Rack Selection Guidelines	44
Equipment Rack Guidelines	45
Installation Checklist	46
Creating a Site Log	46
Receiving the Cisco NCS 4216 14RU	47
Chassis-Lifting Guidelines	48
Tools and Equipment	48
Unpacking and Verifying the Shipped Contents	49

CHAPTER 3
Installing the Cisco NCS 4216 14RU 51

Prerequisites	51
Installing the Router in a Rack	51
Installing the Chassis Brackets	51
Installing the Router Chassis in the Rack	52
Installing the Cisco NCS 4216 14RU Door	54
Removing and Replacing the Door of the NCS 4216 14RU Shelf	56
Installing the Patch Panel on the Rack	56
Installing the Chassis Ground Connection	58
Installing the Fan Tray	61
Removing the Dust Filter	65
Removing and Replacing the Dust Filter	65
Dust Filter Maintenance	65
Removing and Replacing the Fan Tray	66
Installing the PSU Fan Tray	66
Removing and Replacing the PSU Fan Tray	68
RSP Installation	71
Installing an RSP Module	71
Removing an RSP Module	73
Hot-Swapping an RSP Module	74
Interface Module Installation	74
Installing an Interface Module	74

Removing an Interface Module	75
Hot-Swapping an Interface Module	76
Installing the Power Supply	77
Preventing Power Loss	79
Power Connection Guidelines	79
Guidelines for DC-Powered Systems	79
Installing the DC Power Supply	79
Installing the DC Power Supply Module	80
Connecting DC Power Supply Unit (A900-PWR900-D2)	81
Installing DC Power Feeds for Fan Tray	83
Activating the DC Power Supply	85
Removing and Replacing the DC Power Supply	86
Connecting the Cisco NCS 4216 14RU Router to the Network	87
Connecting Console Cables	87
Connecting to the Serial Port using Microsoft Windows	87
Connecting to the Console Port using Mac OS X	89
Connecting to the Console Port using Linux	89
Installing the Cisco Microsoft Windows USB Device Driver	90
Uninstalling the Cisco Microsoft Windows USB Driver	91
Connecting to the Auxiliary Port	92
Connecting a Management Ethernet Cable	93
Installing and Removing SFP	93
Connecting a USB Flash Device	93
Removing a USB Flash Device	94
Connecting Timing Cables	94
Connecting Cables to the BITS Interface	94
Connecting Cables to a GNSS Interface	95
Connecting a Cable to the GNSS Antenna Interface	96
Connecting Ethernet Cables	97
Connecting Cables to SFP Modules	98
Connecting T1/E1 cables	98
Installing the Cable Connectors	98
Patch Panel cables	98
Connecting Cables to the Patch Panel	99

Patch Panel Connectors	100
Installing Patch Panel	100
Install 3G Patch Panel	109
Patch Panel Dimensions	131
Patch Panel Pinout	135
Patch Panel Cabling for Redundancy	135
Connecting the Fan Tray Alarm Port	139
Connector and Cable Specifications	139

CHAPTER 4	Cisco NCS 4216 14RU Initial Configuration	141
	Checking Conditions Prior to System Startup	141
	Powering Up the Cisco NCS 4216 14RU	142
	Verifying the Front Panel LEDs	142
	Verifying the Hardware Configuration	142
	Checking Hardware and Software Compatibility	143
	Configuring the Cisco NCS 4216 14RU at Startup	143
	Using the Console Interface	143
	Configuring Global Parameters	144
	Checking the Running Configuration Settings	145
	Saving the Running Configuration to NVRAM	145
	Safely Powering Off the Cisco NCS 4216 14RU	146

CHAPTER 5	Troubleshooting	147
	Pinouts	147
	BITS Port Pinout	147
	Wire Wrap Adapter Pinouts	148
	GPS Port Pinout	148
	Alarm Port Pinout	149
	Console/Aux RJ45 RS232 Serial Port Pinout	149
	T1/E1 Port Pinouts (RJ-48)	150
	AMP64 Pinouts	151
	Patch Panel Pinout	156
	Management Ethernet Port Pinout	161
	USB Console Port Pinout	162

- USB Flash/MEM Port Pinout 163
- Fiber-Optic Specifications 163
- LED Summary 164
 - RSP LEDs 164
 - NCS4216-RSP LED 164
 - NCS4216-RSP-800 LED 165
 - NCS4216-RSP LED Fault Condition 166
 - Interface Module LEDs 167
 - OC-192 Interface Module with 8-port Low Rate CEM Interface Module (10G HO / 10G LO) Interface Module LEDs 168
 - 48 T1/E1 and 48 T3/E3 Interface Module LEDs 169
 - 8-port 10 Gigabit Ethernet Interface Module LEDs 170
 - 1-port 100 Gigabit Ethernet Interface Module LEDs 170
 - 2-port 40 Gigabit Ethernet Interface Module LEDs 171
 - Power Supply LEDs 171
 - Fan Tray LEDs 172
 - Alarm Conditions 173
 - CLI Commands 174

APPENDIX A **Site Log and Manufacturers 179**

- Manufacturers 180



CHAPTER 1

Cisco NCS 4216 14RU Overview

The Cisco NCS 4216 F2B is a 14-rack unit router that belongs to the Cisco NCS 4200 family of routers. This router complements Cisco's offerings for IP RAN solutions for the GSM, UMTS, LTE, and CDMA. Given its form-factor, interface types, and Gigabit Ethernet density the Cisco NCS 4216 14RU can also be positioned as a Carrier Ethernet aggregation platform.

The Cisco NCS 4216 14RU is a cost optimized, fully redundant, centralized forwarding, extended temperature, and flexible pre-aggregation router.



Note In this document, the Cisco NCS 4216 F2B is also called by the name Cisco NCS 4216 14RU.

- [Cisco NCS 4216 14RU Features, on page 1](#)
- [Interface Numbering, on page 25](#)
- [Regulatory Compliance, on page 25](#)

Cisco NCS 4216 14RU Features

The key feature of the Cisco NCS 4216 14RU is to increase per platform and rack-unit interface density, especially when combining multiple interface types such as Gigabit Ethernet (GE), TDM, 10GE, 40GE and 100GE.

The Cisco NCS 4216 14RU has the following hardware features:

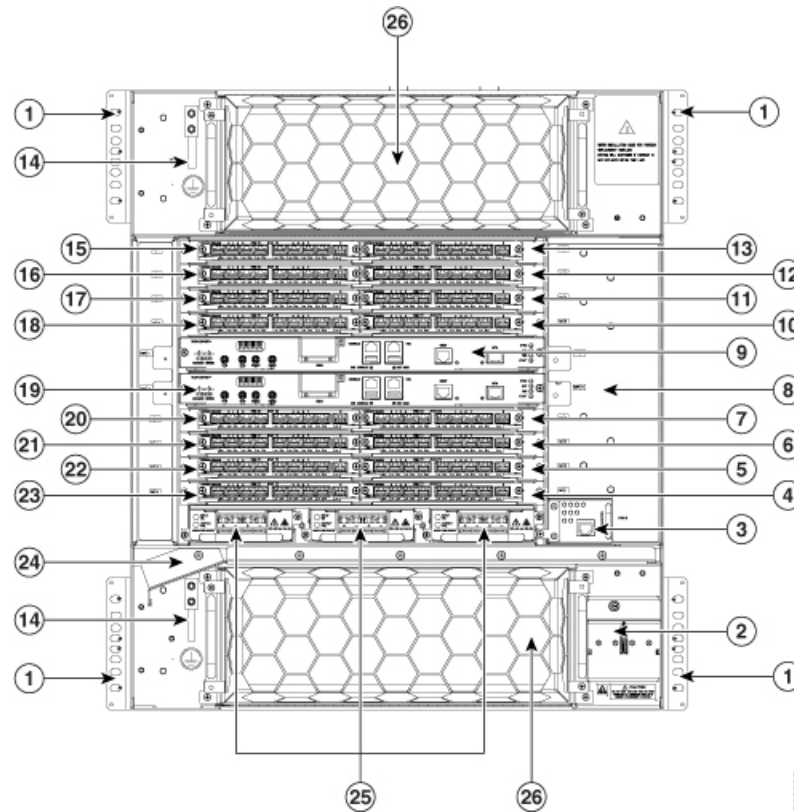
- A large service scale and high throughput (400G) Route Switch Processors (RSP)—NCS4216-RSP
- One-port 100GE Interface Module (NCS4200-1H-PK)
- Two-port 40GE Interface Module (NCS4200-2Q-P)
- Eight-port 10 Gigabit Ethernet Interface Module (8X10GE) (NCS4200-8T-PS)
- SFP Combo IM—Eight-port Gigabit Ethernet (8X1GE) + One-port 10 Gigabit Ethernet (1X10GE) (NCS4200-1T8LR-PS)
- OC-192 Interface Module with 8-port Low Rate CEM Interface Module (10G HO / 10G LO) (NCS4200-1T8S-10CS)
- 48 T1/E1 TDM Interface Module (48XT1/E1) (NCS4200-48T1E1-CE)
- 48 T3/E3 TDM Interface Module (48XT3/E3) (NCS4200-48T3E3-CE)
- 900 Watt PSUs to power the new RSP modules

The Cisco NCS 4216 14RU includes the following specific components:

- Chassis —14-rack unit in height while still maintaining a shallow depth and front-to-back air flow.
- Fan-tray with removable dust filter.
- New form factor and high performance RSP—This high performance RSP has aggregate switching capacity of 480 Gbps in oversubscribed mode.
- The backplane and the RSP together have the provision to support higher density 10GE modules like 8x10GE and 100GE modules.
- Integrated air flow baffle allows system to redirect air flow and helps in cooling.
- Flexible I/O configurations through 16 hot pluggable interface modules (single width). For example:
 - 16x10G + 2x100G + 80x1G - Oversubscribed mode
 - 48x10G - Oversubscribed mode
 - 48 T1/E1 TDM Interface Module (48XT1/E1)
 - 48 T3/E3 TDM Interface Module (48XT3/E3)
 - OC-192 Interface Module with 8-port Low Rate CEM Interface Module (10G HO / 10G LO)
- Metro ENET switching features along with TDM pseudo-wire support.
- Network processor provides flexibility to off-load control plane CPU processing for select OAM and management packets (for example, CCM, BFD, LBM).
- Flexible ENET processing through table-driven packet processing engines.
- On-line insertion/removal (OIR) of all FRUs except GPS module, while the system is operational
- Power supply (2+1)—Support for DC power supply. Two PSUs should be powered-on at a time. If all the three PSUs are powered on, they work in a load-sharing mode.
- Fully-redundant system with redundant combined control plane and data plane (excluding interfaces), timing support, power supplies, and fans.
- Active and standby support of redundant control plane and data plane, and timing
- Intra-chassis IOS redundancy (requires both RSPs)
- Stateful-switchover between active and standby RSPs (for protocols supported by IOS).
- In-service software upgrade (ISSU) supported with same RSPs.
- Timing support for receipt and distribution of network frequency and time including SyncE, BITS, 1PPS/10MHz I/O, IEEE 1588-2008, and NTP.
- Support for ENET OAM.
- T1/E1 and T3/E3 line protection compliant with NEBS GR-1089.
- Patch Panel for the Interface Modules

The following figure illustrates the Cisco NCS 4216 14RU chassis design.

Figure 1: Cisco NCS 4216 14 RU Chassis Design



1	Mounting bracket	2	Fan Tray Input Terminal Block
3	PSU Fan Tray	4	Slot 1 for Interface Module
5	Slot 3 for Interface Module	6	Slot 5 for Interface Module
7	Slot 7 for Interface Module	8	System Enclosure
9	RSP Slot 1	10	Slot 9 for Interface Module
11	Slot 11 for Interface Module	12	Slot 13 for Interface Module
13	Slot 15 for Interface Module	14	Ground Lugs
15	Slot 14 for Interface Module	16	Slot 12 for Interface Module
17	Slot 10 for Interface Module	18	Slot 8 for Interface Module
19	RSP Slot 0	20	Slot 6 for Interface Module
21	Slot 4 for Interface Module	22	Slot 2 for Interface Module
23	Slot 0 for Interface Module	24	Cable support bracket
25	Redundant power units (three DC power units are shown)	26	Fan Trays

System Specifications

The following table summarizes the system specifications and environmental requirements for the Cisco NCS 4216 14RU.

Table 1: Cisco NCS 4216 14RU System Specifications

Dimensions (Height x Width x Depth) with FRUs	24.5 inches x 21.25 inches x 17.1 inches Note The additional depth is due to the projection of the handle from Chassis face.
Weight	
Chassis with back-plane	15.868 kg (34.982 lb)
Fan tray	3.618 kg (7.976 lb)
900W DC PSU	0.924 kg (2.037 lb)
RSP (NCS4216-RSP)	2.8 kg (6.17 lb)
Operating Temperature	The Cisco NCS 4216 14RU supports the following temperature ranges at 1800 m operating altitude: <ul style="list-style-type: none"> -5° C to 55° C (23° F to 131° F) with front to back air flow Note Refer to Datasheets for system configuration.
Nonoperating Temperature	-40° C to +70° C (-40° F to 158° F) storage temperature
Operating Humidity	5–95% operating non-condensing relative humidity
Operating Altitude	-60 m to 1800 m operating altitude for full operating temperature range; up to 4000 m at up to 40° C (104° F).
Nonoperating Altitude	-60 m to 4570 m storage altitude
Vibration	1.0 g from 1.0 to 150 Hz
Shock	30 G half sine 6 ms and 11 ms
Nonoperating Vibration	Random: 1.15 g RMS 3 to 200 Hz, 30 minutes/axis Sine: 10 to 500 Hz at 0.8 G peak / 5 sweep cycles/axis
Operating Acoustics	78 dBA at 27°C (80.6° F)

GNSS Module (NCS4216-CM-GNSS)

The GNSS module is present on the RSP. It is a pluggable module that allows direct interface with the external antenna.



Note Using a single GPS antenna input for both RSPs requires usage of external splitters.



Warning To reduce the risk of fire, use only No. 26 AWG or larger telecommunication line cord. Statement 1023



Note The GNSS module is not hot swappable.

GNSS Module RF Input Requirements

- The GNSS module requires an active GPS/GNSS antenna with built-in Low-Noise Amplifier (LNA) for optimal performance. The antenna LNA amplifies the received satellite signals for two purposes:
 - Compensation of losses on the cable
 - Lifting the signal amplitude in the suitable range for the receiver frontend

The Amplification required is 22dB gain + cable/connector loss + Splitter signal loss.

The recommended range of LNA gain (LNA gain minus all cable and connector losses) at the connector of the receiver module is 22dB to 30dB with a minimum of 20dB and a maximum of 35dB.

- GNSS module provides 5V to the active antenna through the same RF input.
- Surge requirement:

GNSS modules have built-in ESD protections on all pins, including the RF-input pin. However, additional surge protection may be required if rooftop antennas are being connected, to meet the regulations and standards for lightning protection in the countries where the end-product is installed.

A lightning protection must be mounted at the place where the antenna cable enters the building. The primary lightning protection must be capable of conducting all potentially dangerous electrical energy to PE (Protective Earth).

Surge arrestors should support DC-pass and suitable for the GPS frequency range (1.575GHz) with low attenuation.

- Antenna Sky visibility:

GPS signals can only be received on a direct line of sight between antenna and satellite. The antenna should see as much as possible from the total sky. For proper timing, minimum of four satellites should be locked.



Note The antenna terminal should be earthed at the building entrance in accordance with the ANSI/NFPA 70, the National Electrical Code (NEC), in particular Section 820.93, Grounding of Outer Conductive Shield of a Coaxial Cable.

Power Supply Features

The Cisco NCS 4216 14RU supports DC power supplies. The DC power supplies support:

- -40 VDC to -72 VDC

The power supplies are hot-swappable. However, the power supplies are automatically shut down when removed from the chassis. The power supplies are rated to deliver 900W (~75 A at +12 VDC) to the other FRUs in the system. The DC power supply has dual input feeds.

The following table shows the DC power supply specifications.

Table 2: DC Power Supply Specifications

Part numbers	A900-PWR900-D2
Input power specification	+48 V, -48 V
Minimum input voltage	-40.0 V
Maximum input voltage	-72 VDC
Output voltage	+12 VDC
Wire gauge for DC input power connections	10 AWG minimum for -48/-60 VDC. Connector accepts 6 AWG maximum.
Maximum power output	900 W

For more information about installing the Cisco NCS 4216 14RU power supplies, see the [Installing the Power Supply](#).

Redundancy

Three power supplies can be plugged in the Cisco NCS 4216 14RU chassis that works in the 2+1 redundancy mode. For the normal operation of the chassis, at least two power supplies should be powered on. When all the three power supplies are plugged in, they work in a current sharing mode.

Each power supply has dual feed. It is recommended to connect each power feed to a separate input source.

Dying Gasp

The Cisco NCS 4216 14RU DC power supply does not support the Dying Gasp feature.

Status LEDs

LEDs are also provided on each power supply to indicate the status of the input power and the health of the power supply. For more information about the LEDs on the Cisco NCS 4216 14RU, see [Troubleshooting](#) section.

The *DC Power Supply Specifications* table summarizes the input power specifications for the Cisco NCS 4216 14RU DC power supply units.

Fan Tray

The fan tray module supported on the router is:

- A907-FAN-E (NCS4216-RSP)

The fan tray has:

- Four dual rotor fans—for the PSU area cooling
- 12 fans (three columns for four fans)—60x60x38mm fans for the RSP and IM area

The fan tray has the following hardware features:

- It provides front-to-back air flow
- It is field replaceable
- It contains status LEDs

For more information about air flow guidelines, see [Air Flow Guidelines](#) section. For instructions on how to install the fan tray, see [Installing the Fan Tray](#) section. For a summary of the LEDs on the fan tray, see [LED Summary](#) section.

Dust Filter (NCS4216-F2B-FAN-F)

The dust filter on the fan tray is a quadrafoam 45PPI filter which is 85 percent dust resistant. For installing the fan filter, see [Removing and Replacing the Dust Filter](#) section.

Door

The door provides access to the shelf, and acts as a protective panel.

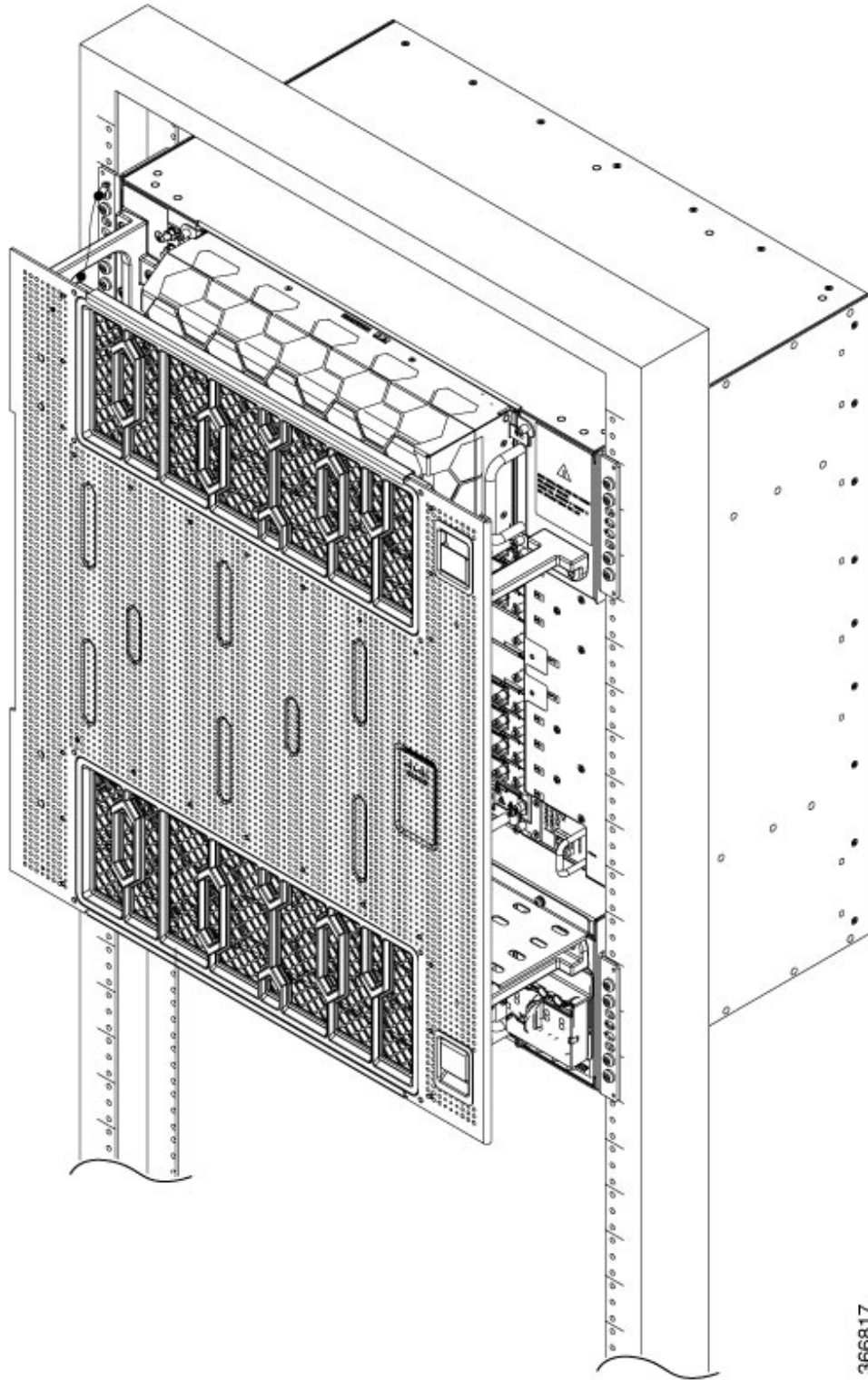
Front Door

The front door of Cisco NCS 4216 14RU provides access to the shelf, and fan-tray assembly.

The front door NCS4216-F2B-DOOR acts as protective panels. The laser warning label is placed on the rear of the chassis.

The following figure illustrates the door design.

Figure 2: Door Design



RSP Modules

The Cisco NCS 4216 14RU is designed to use up to two RSP modules to handle the data plane, network timing, and control plane functionalities for the router. The RSP configuration allows you to use Cisco IOS software to control chassis management, redundancy, external management, and system status indications on the router.

The following sections describe the Cisco NCS 4216 14RU RSP:

- Supported RSP Features
- RSP Redundancy
- Network Timing Interfaces
- RSP Interfaces

RSP features include:

- Loading software onto processor-based interface modules
- Redundant RSP management—The RSP manages detection of RSPs, exchange of health and status information, role negotiation, function for detection, health and status exchange, role negotiation
- Packet processing
- Traffic management, including buffering, queuing, and scheduling, Ethernet MAC functions
- Network clocking functions including phase and time-of-day for BITS, 1 PPS, 10 MHz, and 1588 PTP clock references
- Storage of software images, system configuration, SysLog
- PTP packet processing including IEEE 1588-2008 for recovering network timing (frequency, phase, and time) from upstream PTP clocks, for generating PTP frequency and phase references as inputs to the SETS, and for distributing them to downstream PTP clocks
- External management interfaces (RS232 console, management ENET, USB console, USB storage) and system status LED indicators

Supported RSPs

The Cisco NCS 4216 14RU supports the following RSP:

- NCS4216-RSP—Provides 8 GB of SDRAM, 20 Mb of TCAM memory on every ASIC.

The RSP does not provide external network interfaces for user traffic. All network interfaces are provided through separate IMs.

Supported RSP Features

The RSP provides the following features on the Cisco router:

- Centralized data plane, timing, and control plane functions for the system
- High-level control of interface modules
- Management functionalities for the router
- Control plane (host) CPU and associated memory in which Cisco IOS XE software and platform control software runs
- Nonvolatile memory for storage of software images, configurations, and system files
- Enabling and monitoring the health and presence of fan trays, interface modules, and power supplies

- Field replacement and hot-swap capabilities

Swapping of Interface Modules

The following interface modules support swapping on the Cisco NCS4216-RSP module:

Use the **hw-module subslot default** command before performing a swap of the modules to default the interfaces on the interface module.

- SFP Combo IM—8-port Gigabit Ethernet (8X1GE) + 1-port 10 Gigabit Ethernet (1X10GE)
- 2-port 40 Gigabit Ethernet Interface Module (2X40GE)
- 8-port 10 Gigabit Ethernet Interface Module (8X10GE)
- 1-port 100 Gigabit Ethernet Interface Module (1X100GE)
- 2-port 100 Gigabit Ethernet Interface Module (2X100GE)
- 8/16-port 1 Gigabit Ethernet (SFP/SFP) + 1-port 10 Gigabit Ethernet (SFP+) / 2-port 1 Gigabit Ethernet (CSFP) Interface Module

Use of **hw-module subslot default** command is not supported on the following interface modules.

- 1-port OC-192 Interface Module with 8-port Low Rate CEM Interface Module (10G HO / 10G LO)
- 48-port T1/E1 TDM Interface Module (48XT1/E1)
- 48-port T3/E3 TDM Interface Module (48XT3/E3)
- 1-port OC48/ STM-16 or 4-port OC-12/OC-3 / STM-1/STM-4 + 12-Port T1/E1 + 4-Port T3/E3 CEM Interface Module (NCS4200-3GMS)
- NCS 4200 Combo 8-Port SFP GE and 1-Port 10 GE 20G Interface Module (NCS 4200-1T8S-20CS)

Use the **hw-module subslot default** command before performing a swap of the modules to default the interfaces on the interface module.

See the *Cisco NCS 4216 Router Hardware Installation Guide* for information on Supported Interface Modules on the RSP.



Note If the **license feature service-offload enable** command is configured, then the NCS4200-1T8LR-PS IM is not supported in the router for RSP3.



Note There are certain restrictions in using the interface modules on different slots in the chassis. Contact Cisco Sales/Support for the valid combinations.

Table 3: Cisco NCS4216-RSP Supported Interface Modules and Part Numbers

RSP Module	Interface Modules	Part Number	Slot
NCS4216-RSP	SFP Combo IM—8-port Gigabit Ethernet (8X1GE) + 1-port 10 Gigabit Ethernet (1X10GE)	NCS4200-1T8LR-PS	2,5,6,9,10,13,14,15
	1-port 100 Gigabit Ethernet Interface Module (1X100GE)	NCS4200-1H-PK	7,8
	2-port 100 Gigabit Ethernet (QSFP) Interface Module (2X100GE) ¹	NCS4200-2H-PQ	7,8
	2-port 40 Gigabit Ethernet QSFP Interface Module (2X40GE)	NCS4200-2Q-P	3,4,7,8,11,12
	8/16-port 1 Gigabit Ethernet (SFP/SFP) + 1-port 10 Gigabit Ethernet (SFP+) / 2-port 1 Gigabit Ethernet (CSFP) Interface Module	NCS4200-1T16G-PS	All slots
	8-port 10 Gigabit Ethernet Interface Module (8X10GE)	NCS4200-8T-PS	3,4,7,8,11,12
	1-port OC-192 Interface Module with 8-port Low Rate CEM Interface Module (5G/ 10G HO / 10G LO)	NCS4200-1T8S-10CS	3,4,7,8,11,12 (10G mode) 0,1,2,5,6,9,10,13,14,15 (5G mode)
	NCS 4200 1-Port OC-192 or 8-Port Low Rate CEM 20G Bandwidth Interface Module	NCS4200-1T8S-20CS	3,4,7,8,11,12 (20G mode) 0,1,2,5,6,9,10,13,14,15 (10G mode)
	48XT1/E1 Interface module	NCS4200-48T1E1-CE	2,3,4,5,6,7,8,9,10,13,14,15
	48XT3/E3 Interface module	NCS4200-48T3E3-CE	2,3,4,5,6,7,8,9,10,13,14,15
	1-port OC48 ² / STM-16 or 4-port OC-12/OC-3 / STM-1/STM-4 + 12-port T1/E1 + 4-Port T3/E3 CEM Interface Module	NCS4200-3GMS	All slots

¹ IM supports only one port of 100G with RSP3 as QSFP28 on Port 0 in both slots 7 and 8.

² If OC48 is enabled, then the remaining 3 ports are disabled.

RSP Redundancy

The Cisco NCS 4216 14RU chassis includes two RSP slots to allow for redundant RSPs. When the router uses redundant RSPs, one RSP operates in the active mode and the other operates in the hot standby mode. Removal or failure of the active RSP results in an automatic switchover to the standby RSP.



Note Interface Module Slot support will vary based on Interface Modules used in other slots. For more information, refer the [Configuration Guides](#) for details.

Network Timing Interfaces

The RSP supports the following network timing interfaces:

- BITS input/output port—RJ48 jack
 - Wire Wrap Interface Through an Adapter (A900-WWA-RJ48-H)



Note The BITS adapter comes along with RSP. To order one, use the A900-WWA-RJ48-H= part number.

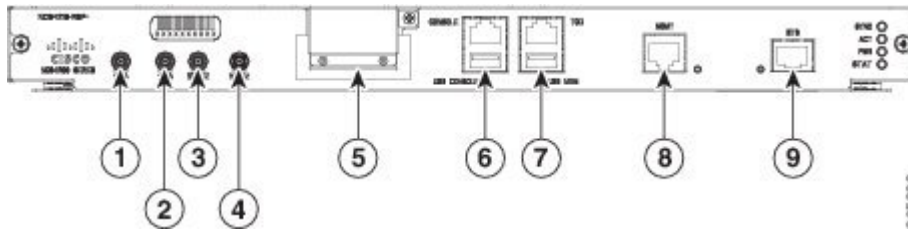
- 1 PPS input and output—Mini coax connectors
- 10 MHz input and output—Mini coax connectors
- Time of Day (ToD) or 1 PPS input or output port—Shielded RJ45 jack

Network timing interfaces support redundancy in a redundant RSP configuration. Network timing interfaces on a redundant RSP remain in operation while the RSP is in hot standby mode.

RSP Interfaces

The following figure summarizes the interfaces on the RSP module.

Figure 3: Interfaces on the RSP Module



Label	Interface
1	1 PPS input timing port
2	1 PPS output timing port
3	10 MHz input timing port
4	10 MHz output timing port
5	GNSS RF IN (SMA Threaded Connector)
6	USB console port
7	USB memory port
8	Ethernet management port
9	BITS timing port

Interface Modules

The network interfaces are provided through pluggable interface modules.

The following list describes the various IM port density:

- GE SFP ports—Supports 100/1000 modes
- GE C-SFP ports—Supports 100/1000BASE-BX modes
- 100GE CPAK ports using 1x100G IM
- 2-Port 100 Gigabit Ethernet Interface Module (2X100 GE)
- 10GE ports through SFP+
- 2X40 GE interface module—Supports QSFP mode
- T1/E1 ports with integrated inter-office surge protection—Supports TDM channelized, PWE3 processing
- T3/E3 ports - Supports TDM channelized, PWE3 Processing
- OC3/OC12/OC48/OC192 - Supports TDM channelized, PWE3 Processing

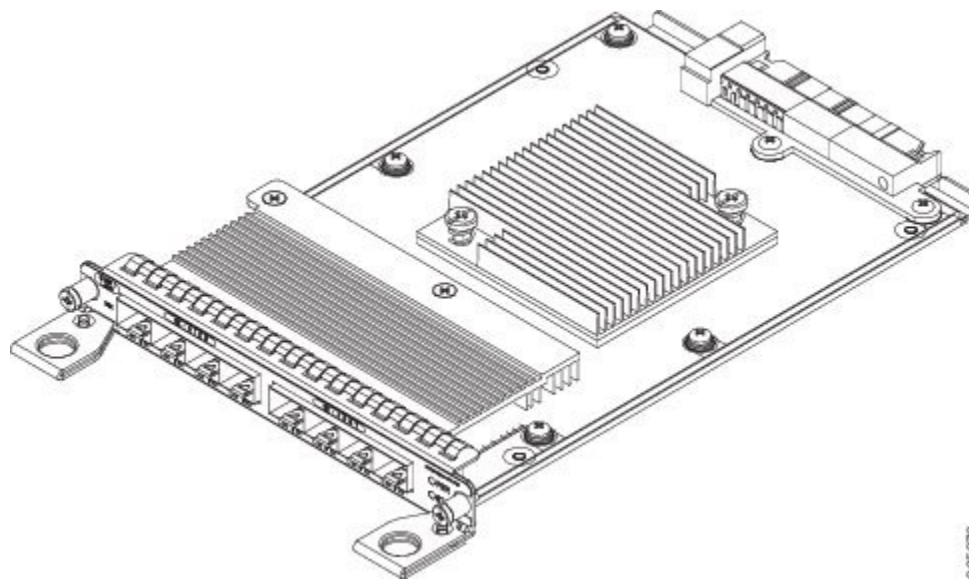


Note For information about supported interface modules, see the data sheet for the [Cisco NCS 4200 Series Aggregation Services Routers](#).

The Cisco NCS 4216 14RU interface modules are a field-replaceable units. In addition to the ports provided on an RSP, the Cisco NCS 4216 14RU supports the interface modules.

8-port 10 Gigabit Ethernet Interface Module (8X10GE)

Figure 4: 8x10 Gigabit Ethernet Interface Module



The high density 8x10 Gigabit Ethernet interface module supports eight 10 Gigabit Ethernet ports using SFP+ transceivers cages on the faceplate.

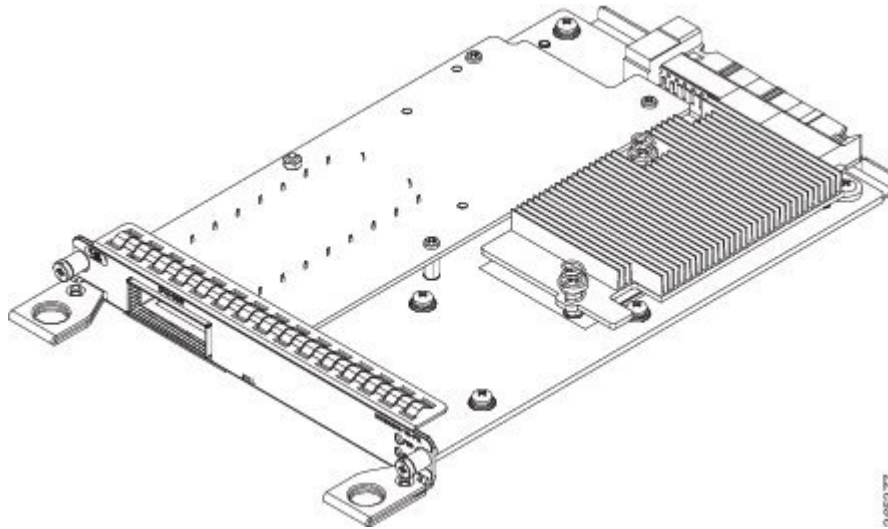


Note It does not support XFP transceivers on the ports.

For more information about installing a 8X10GE module, see the [Interface Module Installation](#) section.

1-port 100 Gigabit Ethernet Interface Module (1X100GE)

Figure 5: 1x100 Gigabit Ethernet Interface Module

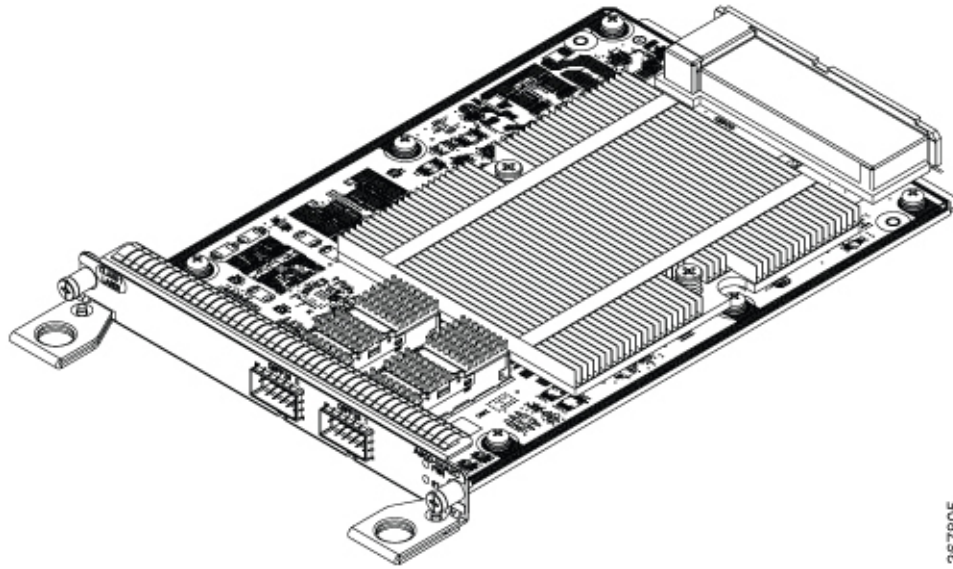


The single port 100 Gigabit Ethernet interface module supports 100 Gigabit Ethernet port. The figure above shows the interface module.

For more information about installing a 1X100GE module, see the [Interface Module Installation](#) section.

2-Port 100 Gigabit Ethernet Interface Module (2X100GE)

The 2-port 100 Gigabit Ethernet Interface Module (NCS4200-2H-PQ) design supports only one 100G QSFP28 optics on Port 0. Port 1 is disabled with RSP3. It currently supports only one mode of operation with 100Gbps of traffic with RSP3.



Limitations of 2X100 GE IM

After any QSFP28 100G optics is inserted, it takes approximately 10 seconds for the optics to be detected and the link to come up. We recommend this time delay for complete initialization and operation.

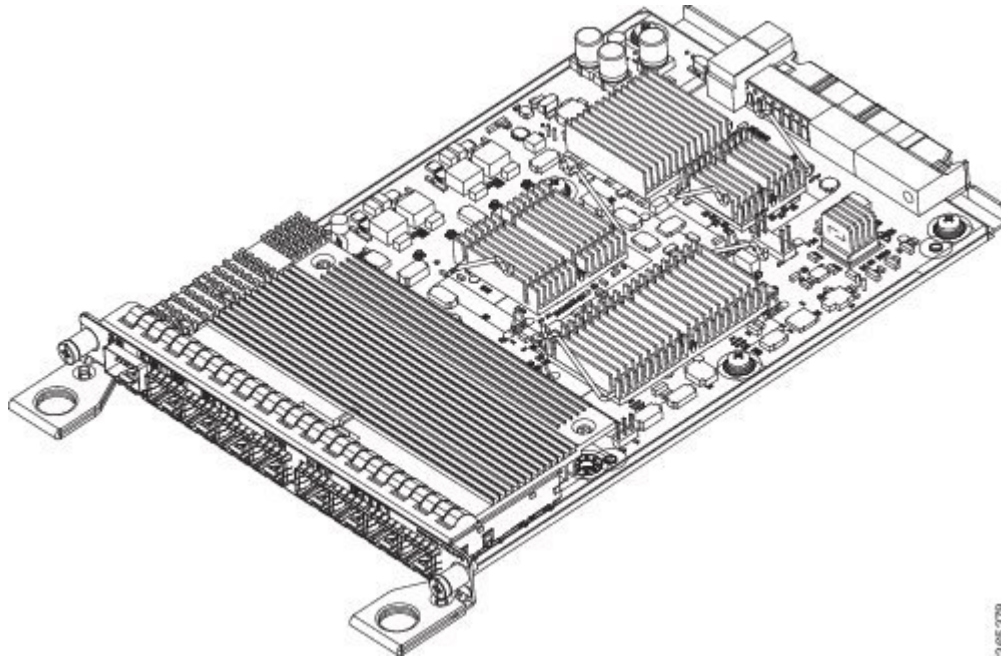
After inserting the cable or after unshutting the 100G interface, the 100G link may take approximately about 2 seconds to come up.



Note QSFP-100G-SR4-S and QSFP-100G-LR4-S are the supported optics for 2X100GE IM for the release 16.10.1.

8x1 Gigabit Ethernet SFP+ 1x10 Gigabit Ethernet SFP+ Combination Interface Module

Figure 6: 8x1 GE SFP+ 1x10 GE SFP Interface Module

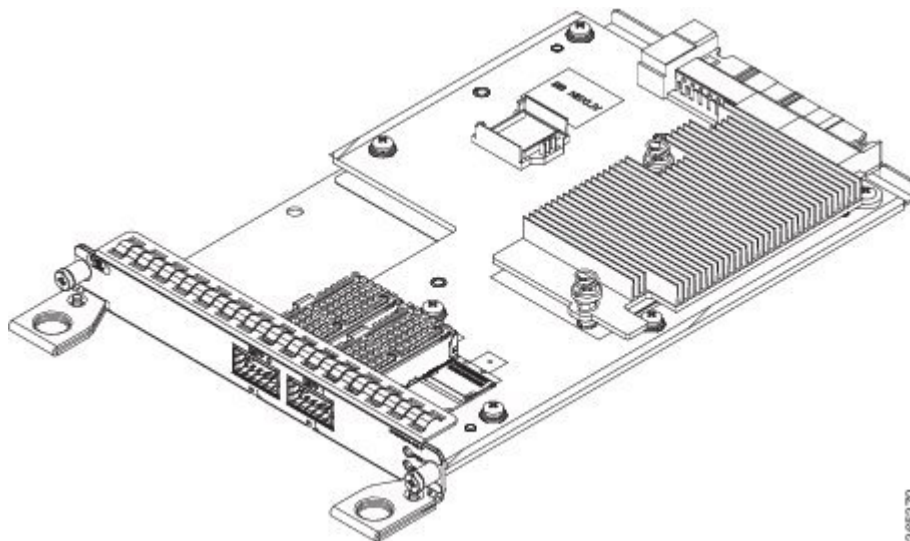


The 8-port 1 Gigabit Ethernet SFP interface module with the 1-port 10 Gigabit Ethernet interface module is a high density combination interface module. This module supports 8 Gigabit Ethernet SFP ports and 1 10 Gigabit Ethernet SFP+ port.

For more information about installing the 8X1 GE SFP + 1X10 SFP Gigabit Ethernet module, see the [Interface Module Installation](#) section.

2-port 40 Gigabit Ethernet QSFP Interface Module (2X40GE)

Figure 7: 2x40 Gigabit Ethernet Interface Module



The dual port 40 Gigabit Ethernet interface module supports the 40 Gigabit Ethernet port. The 40G interface is supported using QSFP+ optics. The figure above shows the interface module.

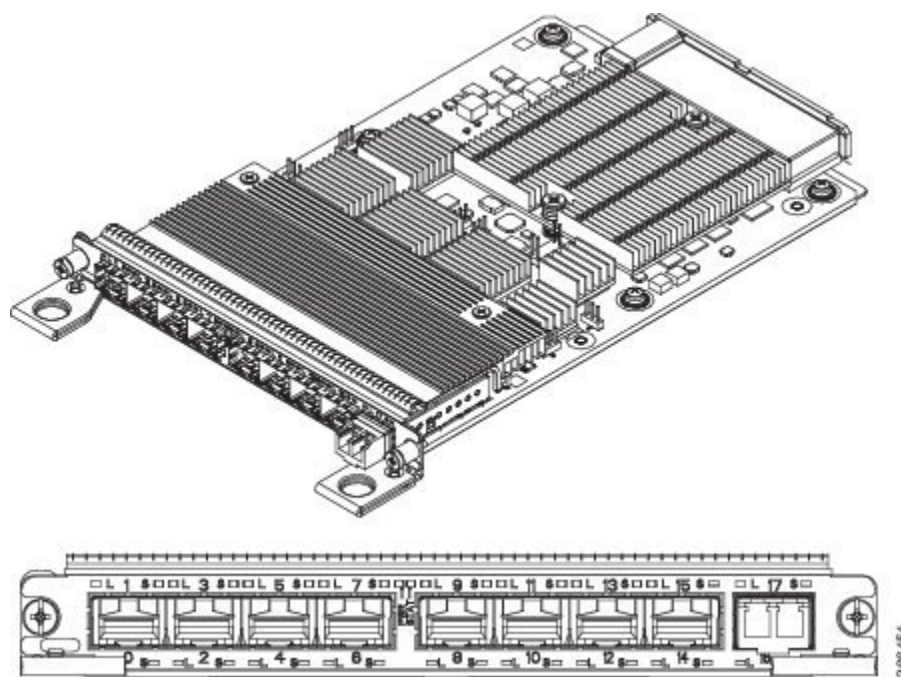
For more information about installing a 2X40 GE module, see the [Interface Module Installation](#) section.

8/16-port 1 Gigabit Ethernet (SFP/SFP) + 1-port 10 Gigabit Ethernet (SFP+) / 2-port 1 Gigabit Ethernet (CSFP) Interface Module

The NCS4200-1T16G-PS interface module has the flexibility to support SFP+/SFP/CSFP on the modules as mentioned below:

- 1-Port 10 Gigabit Ethernet Small Form-Factor Pluggable (SFP+) interface supports one of three modules as 1xSFP+, 1xSFP or 1xCSFP.
- 8-Port Gigabit Ethernet Small Form-Factor Pluggable (SFP) interface supports as either 8xSFP, or 8xCSFP.

Figure 8: NCS4200-1T16G-PS Gigabit Ethernet Interface Module



The following modes are supported for the Interface Module, based on slot capacity:

- 8 x 1GigE (SFP) Fully subscribed mode (FS)
- 8 x 1GigE (SFP) + 1 x 10GigE (SFP+) Fully subscribed mode (FS)
- 16 x 1GigE (C-SFP) + 1 x 10GigE (SFP+) Fully subscribed mode (FS)
- 16 or 18 x 1GigE (C-SFP) Oversubscribed mode (OS)
- 16 x 1GigE (C-SFP) + 1 x 10GigE (SFP+) Oversubscribed mode (OS)
- 8 or 9 x 1GigE (SFP) Fully subscribed mode (FS)
- 1 x 10GigE (SFP+) Fully subscribed mode (FS)

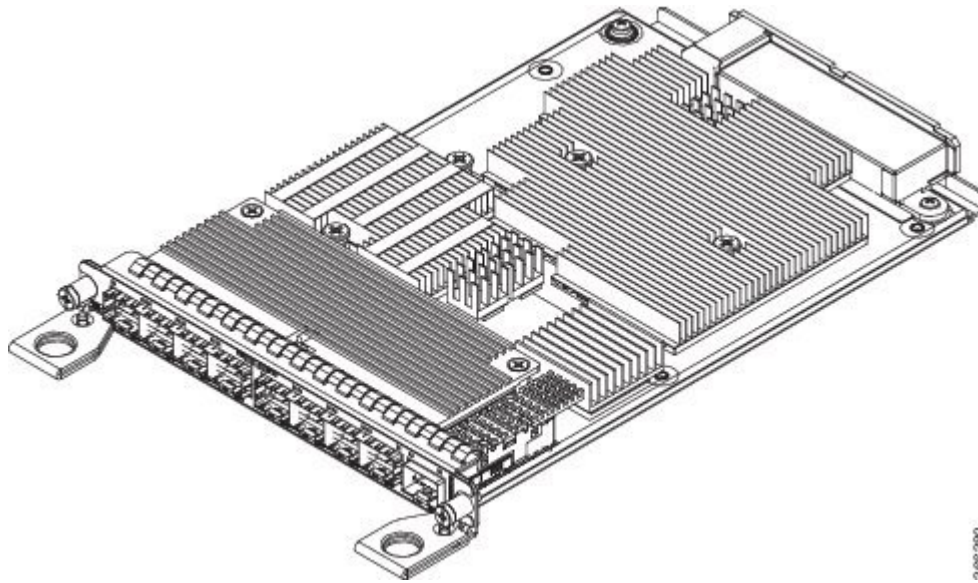
For more information about installing a 1xSFP or CSFP and 8xSFP or CSFP, see [Interface Module Installation](#).

For more information on port numbering, see [Configuring 8/16-port 1 Gigabit Ethernet \(SFP/SFP\) + 1-port 10 Gigabit Ethernet \(SFP+\) / 2-port 1 Gigabit Ethernet \(CSFP\) Interface Module](#) chapter of the [Cisco NCS 4200 Series Software Configuration Guide, Cisco IOS XE Fuji 16.7.x](#).

OC-192 Interface Module with 8-port Low Rate CEM Interface Module (10G HO / 10G LO)

The OC-192 interface module with 8-port low rate CEM interface module is a high density combination interface module. This module supports 1 OC-192 port and 8 low rate CEM or 1 Gigabit Ethernet port.

Figure 9: OC-192 Interface Module



For more information about installing the OC-192 interface module, see the [Interface Module Installation](#) section.

For more information about port configuration, see [Cisco NCS 4200 Series Software Configuration Guide](#).

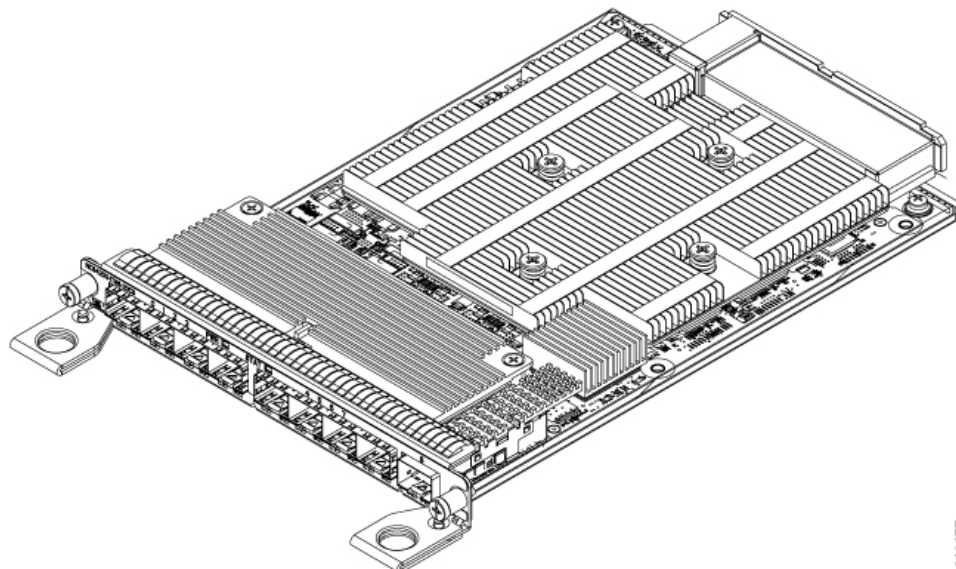
NCS 4200 1-Port OC-192 or 8-Port Low Rate CEM 20G Bandwidth Interface Module (NCS4200-1T8S-20CS)

The NCS 4200 1-Port OC-192 or 8-Port Low Rate CEM 20G Bandwidth Interface Module, iMSG is a cost-effective interface module (IM) that supports CEM and Multiservice Gateway features on the OCn interfaces.



Note The Multiservice Gateway features are not supported on this IM on Cisco IOS XE Release 16.12.1.

Figure 10: CEM and iMSG Interface Module



The NCS 4200 1-Port OC-192 or 8-Port Low Rate CEM 20G Bandwidth Interface Module, iMSG IM supports eight SFP optical interfaces supporting at OC-3/OC-12/OC-48/1G rates and a single SFP+ optical interface supporting at OC-192/10G.

This IM operates in two modes:

- 20G mode; uses two XFI lanes towards the system
- 10G mode; uses single XFI lane towards the system

The benefits of this IM are:

- Improves backplane efficiency
- Increases system capacity
- Increases client flexibility

The most important feature of the NCS 4200 1x10G MR + 8x20G LR CEM, iMSG IM is it provides more flexibility from the interface, which allows you to configure any interface speed on the OCn port irrespective of the IM bandwidth. The bandwidth restriction comes into effect only when the circuit is configured.

For example, you can configure the SFP+ port as an OC-192 and the other eight optical ports as OC-48 to have the total interface speed of 30G. However, if you configure only one STS-1 HO CEP on each port that will take only 9xSTS-1, which is equivalent to 500 Mbps (9 x 52Mbps x1.06) of the backplane traffic.

Restrictions

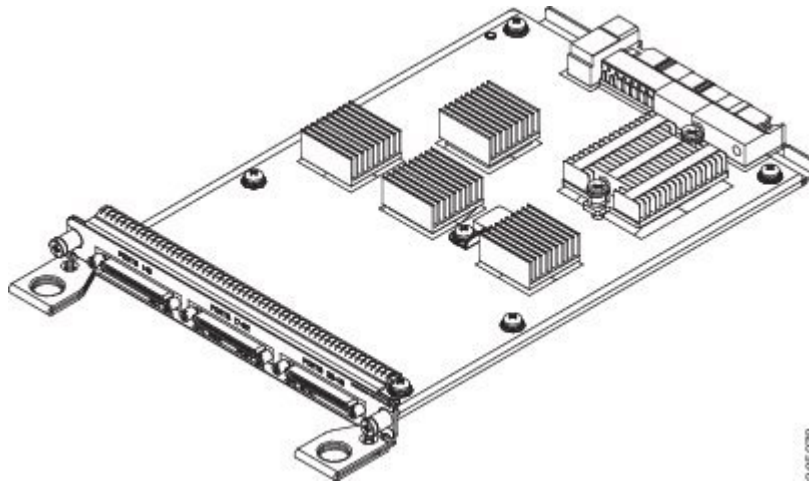
- On the port capable of OC-192 speed, lower speed such as, OC-3, OC-12, or OC-48 are not supported.
- No license is required to enable the Ethernet, OTN and Sonet/SDH functionalities.
- The SFP port supports OC-3, OC-12, and OC-48. SFP+ port supports OC-192.

Support Information

48 X T1/E1 CEM Interface Module

The 48 X T1/E1 interface module provides connectivity for up to 48 x T1/E1 ports through 3 high-density connectors on the front panel. Each port supports 16 TX and RX ports. For information on LEDs, see the [Troubleshooting](#) section.

Figure 11: 48 x T1/E1 Interface Module



For more information about installing the 48 X T1/E1 interface module, see the [Interface Module Installation](#) section.

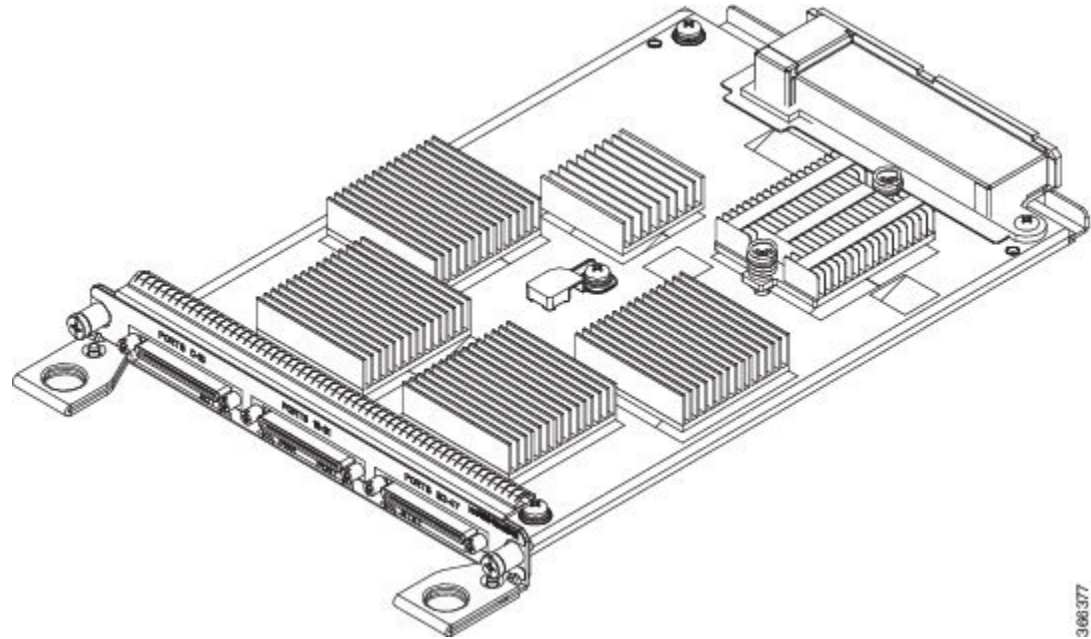
48 X T3/E3 CEM Interface Module

The 48 X T3/E3 interface module provides connectivity up to 48 X T3/E3 ports through 3 high-density connectors on the front panel. Each port supports 16 TX and RX ports. For information on LEDs, see the [Troubleshooting](#) section.



Note T3 DIN port supports up to 450 feet cable length with 75 ohm 734A coaxial cable.

Figure 12: 48 X T3/E3 Interface Module



For more information about installing the 48 X T3/E3 interface module, see the [Interface Module Installation](#) section.

1-Port OC48/ STM-16 or 4-port OC-12/OC-3 / STM-1/STM-4 + 12-port T1/E1 + 4-Port T3/E3 CEM Interface Module

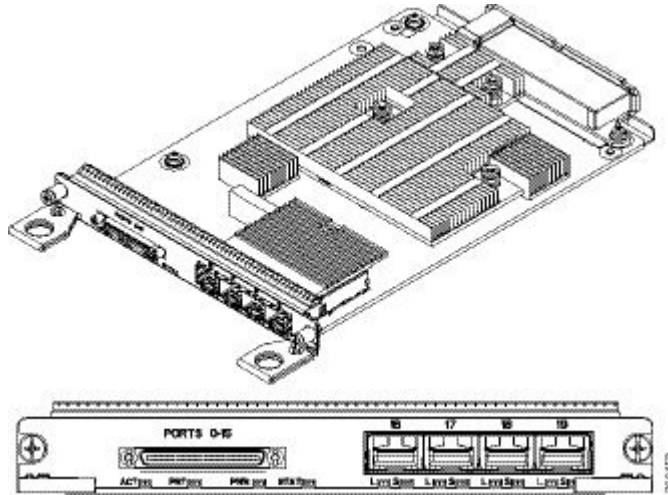
The NCS4200-3GMS interface module supports:

- 12xDS1/E1 + 4xDS3/E3/STS-1e interface over the high-density port.
- 1xOC48/12/3 or 1GE interface and 3xOC12/3 or 1GE interface.



Note If OC48 is enabled, then the remaining 3 ports are disabled.

Figure 13: NCS4200-3GMS Gigabit Ethernet Interface Module



For more information on the supported SFP modules, see the [Cisco NCS 4200 Series Network Convergence System Interface Modules Data Sheet](#).

Temperature Sensor

The Cisco NCS 4216 14RU has a temperature sensor to detect ambient overtemperature conditions inside the chassis. The operating temperature range is between -5°C to 55°C . Temperatures outside this range are reported to the processor as an interrupt, and the software takes action to generate the appropriate alarms.

Patch Panels

The Cisco router has patch panels modules that provide interconnections with the interface modules.

The following table shows different types of patch panel:

Table 4: T1/E1 Patch Panel

Patch Panel	Description
PANEL-48-1-DIN	48X75 ohm E1/DS1 termination, through DIN 1.0/2.3 connectors
PANEL-48-1-RJ48	48X120 ohm E1/110 ohm DS1 termination, through RJ 48C connector
PANEL-48-1-AMP64	48X120 ohm E1/110 ohm DS1 termination, through 4xAMP 64-pin
PANEL-144-1-AMP64	144X120 ohm E1/110 ohm DS1 termination, through 12XAMP64-pin

Table 5: T3/E3 Patch Panel

Patch Panel	Description
PANEL-48-3-DIN	48X75 ohm E3/DS3 termination, through DIN 1.0/2.3 connectors

Patch Panel	Description
PANEL-48-3-HDBNC	48X75 ohm E3/DS3 termination, through HDBNC connectors

The 48 X T1/E1 TDM interface modules and 48 X T3/E3 TDM interface modules supports a maximum of 48 TDM ports. These ports are available on the interface modules through three Very-High-Density Cable Interconnect (VHDCI) 16-port connectors. The patch panels listed above make these 48 ports available to the user via different port densities (48- or 144-port patch panels) with standard Telco connectors (DIN, RJ48, and AMP64 for T1/E1 and DIN, HDBNC for T3/E3).

Figure 14: VHDCI 16-port Connectors Interface View

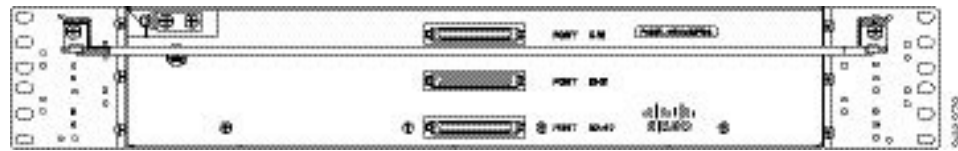


Figure 15: PANEL-48-1-RJ48 Interface View

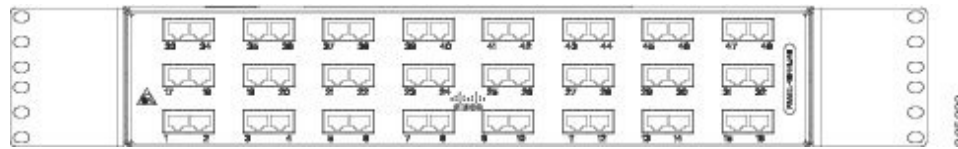


Figure 16: PANEL-48-1-AMP64 Interface View



Figure 17: PANEL-48-1-DIN or PANEL-48-3-DIN Interface View

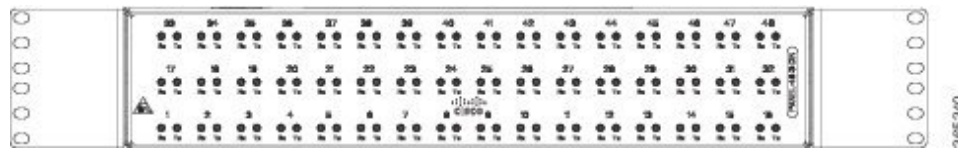


Figure 18: PANEL-144-1-AMP64 Interface View

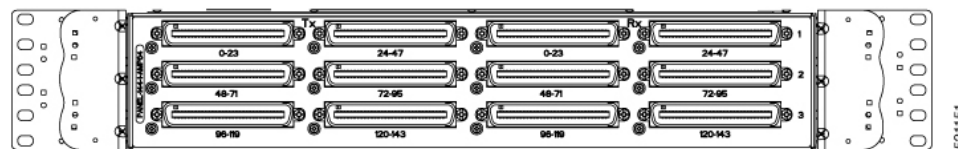


Figure 19: PANEL-48-3-HDBNC InterfaceView

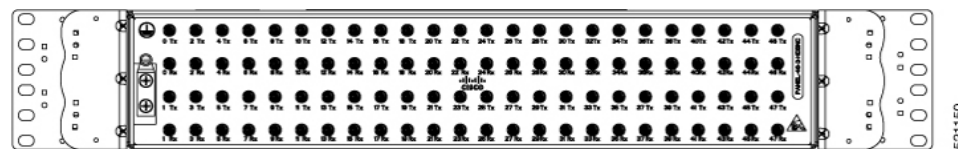


Figure 20: Patch Panel System Interface View

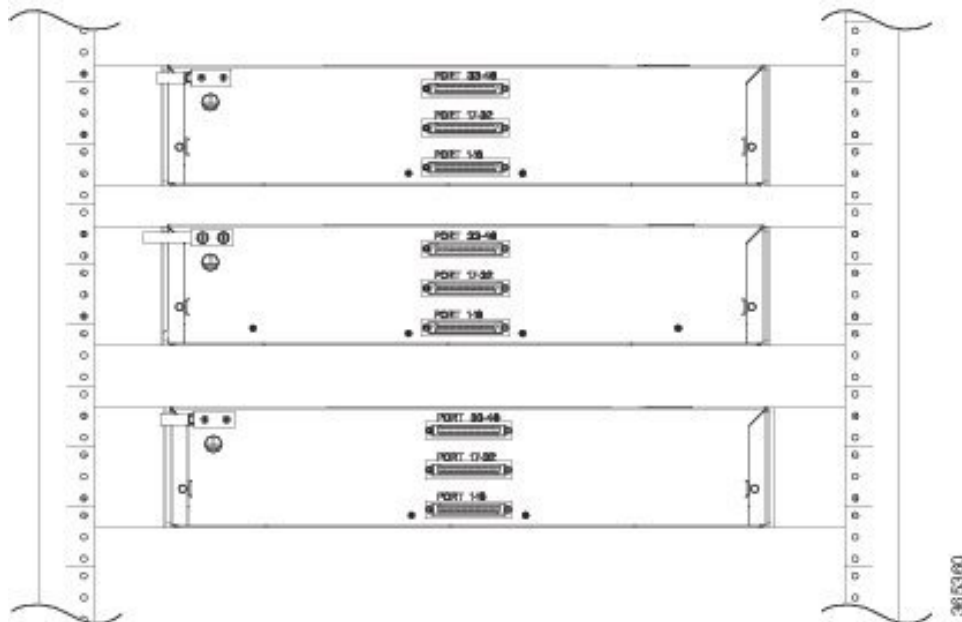
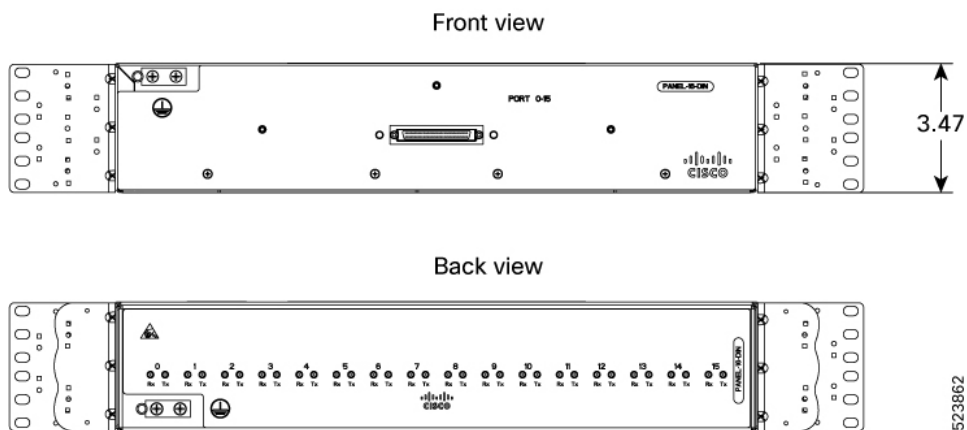


Table 6: PANEL-16-DIN

Patch Panel	Description
PANEL-16-DIN	16X75 ohm E1 termination, through DIN 1.0/2.3 connectors

The 48 X T1/E1 TDM interface modules and the 48 X T3/E3 TDM interface modules support a maximum of 48 TDM ports. These ports are available on the interface modules through three Very-High-Density Cable Interconnect (VHDCI) 16-port connectors. The patch panels listed above make these 48 ports available to the user via different port densities (48- or 144-port patch panels) with standard Telco connectors (DIN, RJ48, and AMP64 for T1/E1 and DIN, HDBNC for T3/E3).

Figure 21: PANEL-16-DIN Interface View



Interface Numbering

Following is an explanation of the slot or port numbering:

- The numbering format is **Interface type slot or interface number**. Interface (port) numbers begin at logical 0 for each interface type.
- Interface module slots are numbered from bottom to top, with logical interfaces on each module numbered from left to right. Interfaces are hard-wired. Therefore, port 0 is always logical interface 0/0, port 1 is always logical interface 0/1, and so on.

The following commands display the active RP slot number. The interface module is referenced as 1/x instead of 0/x:

- **show diag all eeprom detail**
- **show platform software trace message iomd**
- **show platform software agent iomd**
- **show platform software peer shell-manager brief**
- **show platform software peer chassis-manager**
- **show platform software memory iomd**
- **set platform software trace iomd**

Regulatory Compliance

For regulatory compliance and safety information, see the [Regulatory Compliance and Safety Information for the Cisco NCS 4200 Series](#) Aggregation Routers document.



CHAPTER 2

Preparing for Installation

The sections describe how to prepare for the installation of the Cisco NCS 4216 14RU at your site.

- [Safety Guidelines, on page 27](#)
- [Site Planning, on page 36](#)
- [Receiving the Cisco NCS 4216 14RU, on page 47](#)

Safety Guidelines

Before you begin the installation of the Cisco NCS 4216 14RU, review the safety guidelines in this chapter to avoid injuring yourself or damaging the equipment.

In addition, before replacing, configuring, or maintaining the Cisco NCS 4216 14RU, review the safety warnings listed in [Regulatory Compliance and Safety Information for the Cisco NCS 4200 Series Aggregation Routers](#).

The sections describe the safety guidelines for the Cisco NCS 4216 14RU.

Standard Warning Statements

To see translations of the warnings that appear in this publication, see the [Regulatory Compliance and Safety Information for the Cisco NCS 4200 Series](#) for this device.



Warning The appliance must be connected to a grounded outlet. Statement 0414



Warning To avoid or reduce the risk of personal injury, do not use the product if the product has been exposed to irregular environmental conditions, if the product has been misused or if parts of the product have been damaged. Consult qualified service personnel. Never try to service the product yourself. Statement 0416



Warning To reduce the risk of electric shock, fire or personal injury, do not place power cables in areas where they may be walked on or damaged by items placed upon or against it. Statement 0417



Warning This product is intended for use in a normal environment based on the standard IEC 60950-1. Do not use the product in vehicles, on board ships, in aircrafts or in medical applications with physical connection to the patient, nor in environments with exposure to moisture, dust, vibration or ingress of water. Statement 0418



Warning Do not work on the system or connect or disconnect cables during periods of lightning activity. Statement 1001



Warning Read the installation instructions before connecting the system to the power source. Statement 1004



Warning To prevent bodily injury when mounting or servicing this unit in a rack, you must take special precautions to ensure that the system remains stable. The following guidelines are provided to ensure your safety: This unit should be mounted at the bottom of the rack if it is the only unit in the rack. When mounting this unit in a partially filled rack, load the rack from the bottom to the top with the heaviest component at the bottom of the rack. If the rack is provided with stabilizing devices, install the stabilizers before mounting or servicing the unit in the rack. Statement 1006



Warning This unit is intended for installation in restricted access areas. A restricted access area can be accessed only through the use of a special tool, lock and key, or other means of security. Statement 1017



Warning To reduce the risk of fire, use only No. 26 AWG or larger telecommunication line cord. Statement 1023



Warning If the symbol of suitability with an overlaid cross appears above a port, you must not connect the port to a public network that follows the European Union standards. Connecting the port to this type of public network can cause severe injury or damage your router. Statement 1031



Warning Do not use this product near water; for example, near a bath tub, wash bowl, kitchen sink or laundry tub, in a wet basement, or near a swimming pool. Statement 1035



Warning Never install telephone jacks in wet locations unless the jack is specifically designed for wet locations. Statement 1036



Warning Never touch uninsulated telephone wires or terminals unless the telephone line has been disconnected at the network interface. Statement 1037



Warning Avoid using a telephone (other than a cordless type) during an electrical storm. There may be a remote risk of electric shock from lightning. Statement 1038



Warning To report a gas leak, do not use a telephone in the vicinity of the leak. Statement 1039



Warning Ultimate disposal of this product should be handled according to all national laws and regulations. Statement 1040



Warning Before opening the unit, disconnect the telephone-network cables to avoid contact with telephone-network voltages. Statement 1041



Warning To prevent the system from overheating, do not operate it in an area that exceeds the maximum recommended ambient temperature of 149°F (65°C). Statement 1047



Warning The chassis should be mounted on a rack that is permanently affixed to the building. Statement 1049



Warning Invisible laser radiation may be emitted from disconnected fibers or connectors. Do not stare into beams or view directly with optical instruments. Statement 1051



Warning Class 1M laser radiation when open. Do not view directly with optical instruments. Statement 1053



Warning Class I (CDRH) and Class 1M (IEC) laser products. Statement 1055



Warning No user-serviceable parts inside. Do not open. Statement 1073



Warning This is a Class A Device and is registered for EMC requirements for industrial use. The seller or buyer should be aware of this. If this type was sold or purchased by mistake, it should be replaced with a residential-use type. Statement 294



Warning This is a class A product. In a domestic environment this product may cause radio interference in which case the user may be required to take adequate measures. Statement 340



Warning This equipment is in compliance with the essential requirements and other relevant provisions of Directive 1999/5/EC.

Safety Guidelines for Personal Safety and Equipment Protection

The following guidelines help ensure your safety and protect the equipment. This list does not include all the potentially hazardous situations. Therefore, you should be on alert.

- Before moving the system, always disconnect all the power cords and interface cables.
- Never assume that power is disconnected from a circuit; always check.
- Before and after installation, keep the chassis area clear and dust-free.
- Keep tools and assembly components away from walk areas where you or others could trip over them.
- Do not work alone if potentially hazardous conditions exist.
- Do not perform any action that creates a potential hazard to people or makes the equipment unsafe.
- Do not wear loose clothing that may get caught in the chassis.
- When working under conditions that may be hazardous to your eyes, wear safety glasses.

Safety Precautions for Module Installation and Removal

Be sure to observe the following safety precautions when you work on the router.

To see translations of the warnings that appear in this publication, see the [Regulatory Compliance and Safety Information for the Cisco NCS 4200 Series](#) for this device.



Warning For connections outside the building where the equipment is installed, the following ports must be connected through an approved network termination unit with integral circuit protection . Statement 1044



Warning Invisible laser radiation may be emitted from disconnected fibers or connectors. Do not stare into beams or view directly with optical instruments. Statement 1051



Warning Class 1M laser radiation when open. Do not view directly with optical instruments. Statement 1053



Warning Class 1 (CDRH) and Class 1M (IEC) laser products. Statement 1055



Warning Invisible laser radiation may be emitted from the end of the unterminated fiber cable or connector. Do not view directly with optical instruments. Viewing the laser output with certain optical instruments (for example, eye loupes, magnifiers, and microscopes) within a distance of 100 mm may pose an eye hazard. Statement 1056



Warning Do not stare into the beam or view it directly with optical instruments. Statement 1011



Warning Invisible laser radiation present. Statement 1016



Warning Blank faceplates and cover panels serve three important functions: they prevent exposure to hazardous voltages and currents inside the chassis; they contain electromagnetic interference (EMI) that might disrupt other equipment; and they direct the flow of cooling air through the chassis. Do not operate the system unless all cards, faceplates, front covers, and rear covers are in place. Statement 1029



Warning Hazardous voltage or energy is present on the backplane when the system is operating. Use caution when servicing. Statement 1034



Warning Invisible laser radiation may be emitted from disconnected fibers or connectors. Do not stare into beams or view directly with optical instruments. Statement 1051

Safety with Electricity



Warning Before working on a chassis or working near power supplies, disconnect the power at the circuit breaker on DC units. Statement 12



Warning When installing the unit, always make the ground connection first and disconnect it last. Statement 42



Warning Before working on equipment that is connected to power lines, remove jewelry (including rings, necklaces, and watches). Metal objects heat up when connected to power and ground and can cause serious burns or weld the metal object to the terminals. Statement 43



Warning To prevent accidental discharge during a power line cross, route on-premise wiring away from power cables and off-premise wiring, or use a grounded shield to separate the on-premise wiring from the power cables and off-premise wiring. A power line cross is an event, such as a lightning strike, that causes a power surge. Off-premise wiring is designed to withstand power line crosses. On-premise wiring is protected from power line crosses by a device that provides overcurrent and overvoltage protection. Nevertheless, if the on-premise wiring is in close proximity to or not shielded from, the off-premise wiring or power cable during a lightning strike or power surge, the on-premise wiring can carry a dangerous discharge to the attached interface, equipment, or nearby personnel. Statement 338



Warning High leakage current – earth connection essential before connection to system power supply. Statement 342



Warning Do not work on the system or connect or disconnect cables during periods of lightning activity. Statement 1001



Warning Before performing any of the following procedures, ensure that power is removed from the DC circuit. Statement 1003



Warning Read the installation instructions before connecting the system to the power source. Statement 1004



Warning This product relies on the building's installation for short-circuit (overcurrent) protection. For -48/-60 VDC installation, the wire shall be 6 AWG and 8 AWG minimum with a 40 A circuit breaker. Statement 1005



Warning This product relies on the building's installation for short-circuit (overcurrent) protection.

**Warning**

There is the danger of explosion if the battery is replaced incorrectly. Replace the battery only with the same or equivalent type recommended by the manufacturer. Dispose of used batteries according to the manufacturer's instructions. Statement 1015

**Warning**

This unit is intended for installation in restricted access areas. A restricted access area can be accessed only by using a special tool, lock and key, or other means of security. Statement 1017

**Warning**

Hazardous network voltages are present in WAN ports regardless of whether power to the unit is OFF or ON. To avoid electric shock, use caution when working near WAN ports. When detaching cables, detach the end away from the unit first. Statement 1026

**Warning**

When you connect or disconnect the power and relay connector with power applied, an electrical arc can occur. This could cause an explosion in hazardous area installations. Be sure that power is removed from the switch and alarm circuit. Be sure that power cannot be accidentally turned on or verify that the area is nonhazardous before proceeding. Failure to securely tighten the power and relay connector captive screws can result in an electrical arc if the connector is accidentally removed. Statement 1058

**Warning**

Take care when connecting units to the supply circuit so that wiring is not overloaded. Statement 1018

**Warning**

To avoid electric shock, do not connect safety extra-low voltage (SELV) circuits to telephone-network voltage (TNV) circuits. LAN ports contain SELV circuits, and WAN ports contain TNV circuits. Some LAN and WAN ports both use RJ45 connectors. Use caution when connecting cables. Statement 1021

**Warning**

A readily accessible two-poled disconnect device must be incorporated in the fixed wiring. Statement 1022

**Warning**

To reduce the risk of fire, use only 26 AWG or larger telecommunication line cord. Statement 1023

**Warning**

This equipment must be grounded. Never defeat the ground conductor or operate the equipment in the absence of a suitably installed ground conductor. Contact the appropriate electrical inspection authority or an electrician if you are uncertain that suitable grounding is available. Statement 1024



Warning Use copper conductors only. Statement 1025



Warning This unit might have more than one power supply connection. All connections must be removed to de-energize the unit. Statement 1028



Warning To prevent personal injury or damage to the chassis, never attempt to lift or tilt the chassis using the handles on modules (such as power supplies, fans, or cards); these types of handles are not designed to support the weight of the unit. Statement 1032



Warning Do not use this product near water; for example, near a bath tub, wash bowl, kitchen sink or laundry tub, in a wet basement, or near a swimming pool. Statement 1035



Warning Never install telephone jacks in wet locations unless the jack is specifically designed for wet locations. Statement 1036



Warning Before opening the unit, disconnect the telephone-network cables to avoid contact with telephone-network voltages. Statement 1041



Warning This equipment must be installed and maintained by service personnel as defined by AS/NZS 3260. Incorrectly connecting this equipment to a general-purpose outlet could be hazardous. The telecommunications lines must be disconnected 1) before unplugging the main power connector or 2) while the housing is open, or both. Statement 1043



Warning This product requires short-circuit (overcurrent) protection, to be provided as part of the building installation. Install only in accordance with national and local wiring regulations. Statement 1045



Warning When installing or replacing the unit, the ground connection must always be made first and disconnected last. Statement 1046



Warning Failure to securely tighten the power and relay connector captive screws can result in an electrical arc if the connector is accidentally removed. Statement 1058



Warning This equipment is intended to be grounded. Ensure that the host is connected to earth ground during normal use. Statement 39



Warning If you connect or disconnect the console cable with power applied to the switch or any device on the network, an electrical arc can occur. This could cause an explosion in hazardous location installations. Be sure that power is removed or the area is nonhazardous before proceeding. To verify switch operation, perform POST on the switch in a nonhazardous location before installation. Statement 1065



Warning Installation of the equipment must comply with local and national electrical codes. Statement 1074



Warning Hazardous voltage or energy may be present on DC power terminals. Always replace cover when terminals are not in service. Be sure uninsulated conductors are not accessible when cover is in place. Statement 1075

When working on equipment powered by electricity, follow these guidelines:

- Locate the room's emergency power-off switch. If an electrical accident occurs, you will be able to quickly turn off the power.
- Before working on the system, turn off the DC main circuit breaker and disconnect the power terminal block cable.
- Before doing the following, disconnect all power:
 - Working on or near power supplies
 - Installing or removing a router chassis or network processor module
 - Performing most hardware upgrades
- Never install equipment that appears damaged.
- Carefully examine your work area for possible hazards, such as moist floors, ungrounded power extension cables, and missing safety grounds.
- Never assume that power is disconnected from a circuit; always check.
- Never perform any action that creates a potential hazard to people or makes the equipment unsafe.

In addition, use the following guidelines when working with any equipment that is disconnected from a power source, but still connected to telephone wiring or network cabling:

- Never install telephone wiring during a lightning storm.
- Never install telephone jacks in wet locations unless the jack is specifically designed for it.
- Never touch uninsulated telephone wires or terminals unless the telephone line is disconnected at the network interface.
- When installing or modifying telephone lines, use caution.

Power Supply Considerations

Check the power at your site to ensure that you are receiving clean power (free of spikes and noise). Install a power conditioner if necessary.

Preventing ESD Damage



Warning This equipment needs to be grounded. Use a green and yellow 6 AWG ground wire to connect the host to earth ground during normal use. Statement 383

Electrostatic discharge (ESD) can damage equipment and impair electrical circuitry. ESD can occur when electronic printed circuit cards are improperly handled and can cause complete or intermittent failures. When removing and replacing modules, always follow ESD prevention procedures:

- Ensure that the router chassis is physically connected to earth ground.
- Wear an ESD-preventive wrist strap, ensuring that it makes good skin contact. To channel unwanted ESD voltages safely to ground, connect the clip to an unpainted surface of the chassis frame. To guard against ESD damage and shocks, the wrist strap and cord must operate effectively.
- If no wrist strap is available, ground yourself by touching a metal part of the chassis.
- When installing a component, use any available ejector levers or captive installation screws to properly seat the bus connectors in the backplane or midplane. These devices prevent accidental removal, provide proper grounding for the system, and help to ensure that bus connectors are properly seated.
- When removing a component, use available ejector levers or captive installation screws, if any, to release the bus connectors from the backplane or midplane.
- Handle components by their handles or edges only; do not touch the printed circuit boards or connectors.
- Place a removed component board side up on an antistatic surface or in a static-shielding container. If you plan to return the component to the factory, immediately place it in a static-shielding container.
- Avoid contact between the printed circuit boards and clothing. The wrist strap only protects components from ESD voltages on the body; ESD voltages on clothing can still cause damage.
- Never attempt to remove the printed circuit board from the metal carrier.



Note For the safety of your equipment, periodically check the resistance value of the antistatic wrist strap. It should be between 1 and 10 Mohm.

Site Planning

The sections describe how to plan for the installation of the Cisco NCS 4216 14RU.

General Precautions

Observe the following general precautions when using and working with your Cisco NCS 4216 14RU system:

- Keep your system components away from radiators and heat sources and do not block cooling vents.
- Do not spill food or liquids on your system components and never operate the product in a wet environment.
- Do not push any objects into the openings of your system components. Doing so can cause fire or electric shock by shorting out interior components.

- Position system cables and power supply cables carefully. Route system cables and the power supply cable and plug so that they cannot be stepped on or tripped over. Be sure that nothing else rests on your system component cables or power cable.
- Do not modify power cables or plugs. Consult a licensed electrician or your power company for site modifications. Always follow your local and national wiring rules.
- If you turn off your system, wait at least 30 seconds before turning it on again to avoid system component damage.

Site Planning Checklist

Use the following checklist to perform and account for all the site planning tasks described in this chapter:

- The site meets the environmental requirements.
- The site's air conditioning system can compensate for the heat dissipation of the Cisco NCS 4216 14RU.
- The floor space that the Cisco NCS 4216 14RU occupies can support the weight of the system.
- Electrical service to the site complies with the requirements.
- The electrical circuit servicing the Cisco NCS 4216 14RU complies with the requirements.
- Consideration has been given to the console port wiring and limitations of the cabling involved, according to TIA/EIA-232F.
- The Cisco NCS 4216 14RU Ethernet cabling distances are within limitations.
- The equipment rack in which you plan to install the Cisco NCS 4216 14RU complies with requirements.
- In selecting the location of the rack, careful consideration has been given to safety, ease of maintenance, and proper airflow.

Site Selection Guidelines

The Cisco NCS 4216 14RU requires specific environmental operating conditions. Temperature, humidity, altitude, and vibration can affect the performance and reliability of the router. The following sections provide specific information to help you plan for the proper operating environment.

The Cisco NCS 4216 14RU is designed to meet the industry EMC, safety, and environmental standards described in the [Regulatory Compliance and Safety Information for the Cisco NCS 4200 Series Aggregation Routers](#).

Environmental Requirements

The Cisco NCS 4216 14RU is Telcordia GR-63-Core Indoor compliant.

Environmental monitoring in the Cisco NCS 4216 14RU protects the system and components from damage caused by excessive voltage and temperature conditions. To ensure normal operation and avoid unnecessary maintenance, plan and prepare your site configuration *before* installation. After installation, make sure that the site maintains the environmental characteristics described in the [System Specifications](#) section.

For an outside plant installation (cell site cabinet, hut etc.), it is required that the Cisco NCS 4216 14RU be protected against airborne contaminants, dust, moisture, insects, pests, corrosive gases, polluted air or other reactive elements present in the outside air. To achieve this level of protection, we recommend that the unit be installed in a fully sealed enclosure or cabinet. Examples of such cabinets include IP65 cabinets with heat exchanger complying with Telcordia GR487.

Physical Characteristics

Be familiar with the physical characteristics of the Cisco NCS 4216 14RU to assist you in placing the system in the proper location. For more information, see the [System Specifications](#) section.

Assembly Guidelines

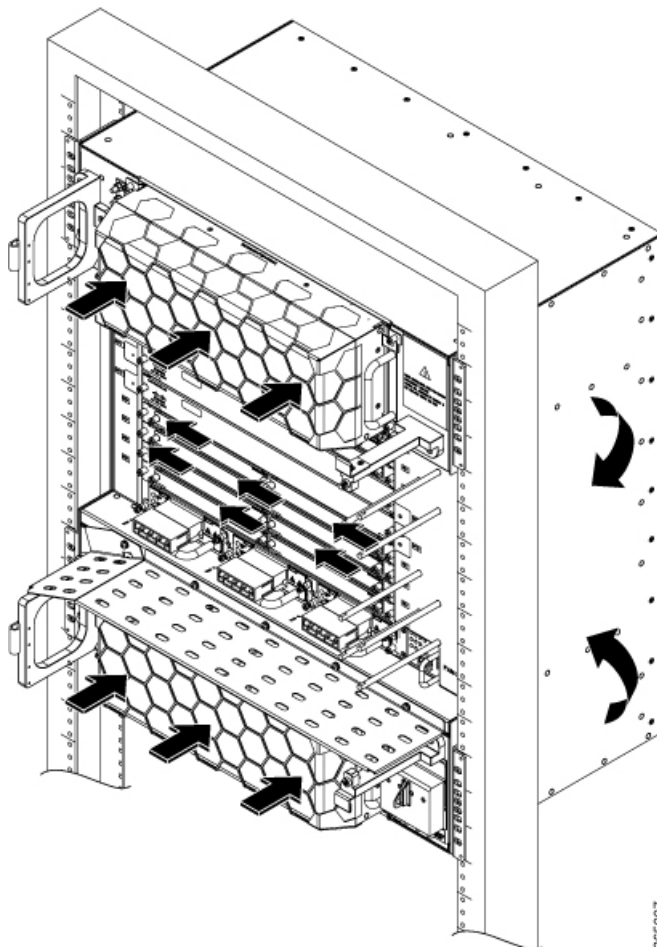
Interface module carriers must first be assembled in the Cisco NCS 4216 14RU followed by RSP. Then, IMs must be installed from the lower slot to the upper slot in the following order—slot 0, slot 1 and so on.

All empty slots should be assembled with A900-IMA-BLANK.

Air Flow Guidelines

Cool air is circulated through the Cisco NCS 4216 14RU by fan trays located on top and bottom of the chassis and the air flow is from front to back, as shown in the figure below.

Figure 22: Cisco NCS 4216 14RU Chassis Air Flow



To ensure adequate airflow, it is recommended that you maintain a minimum clearance distance always, as mentioned in the following figure.

Figure 23: Front View of Cisco A907-F2B-AIR Clearance

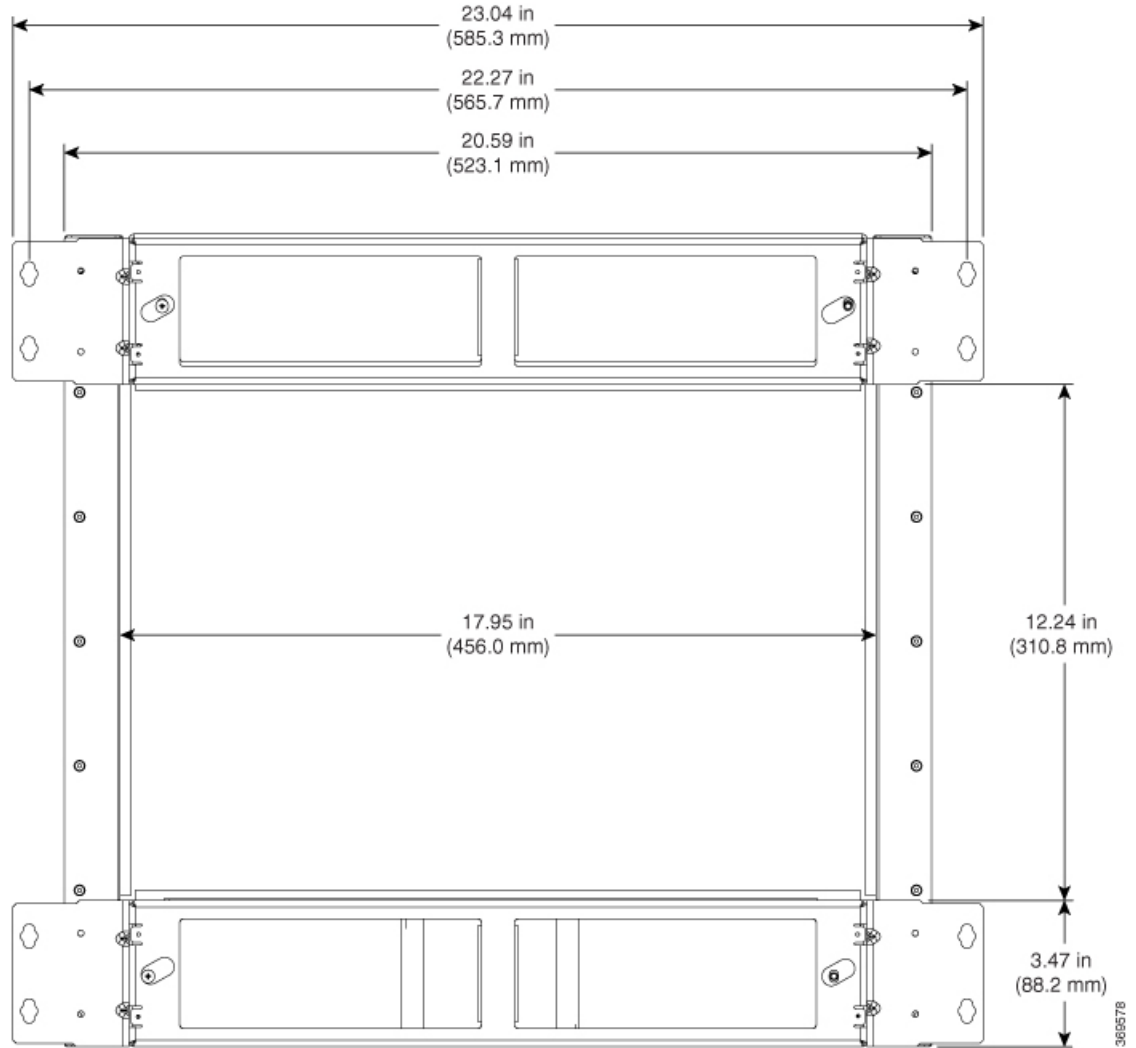
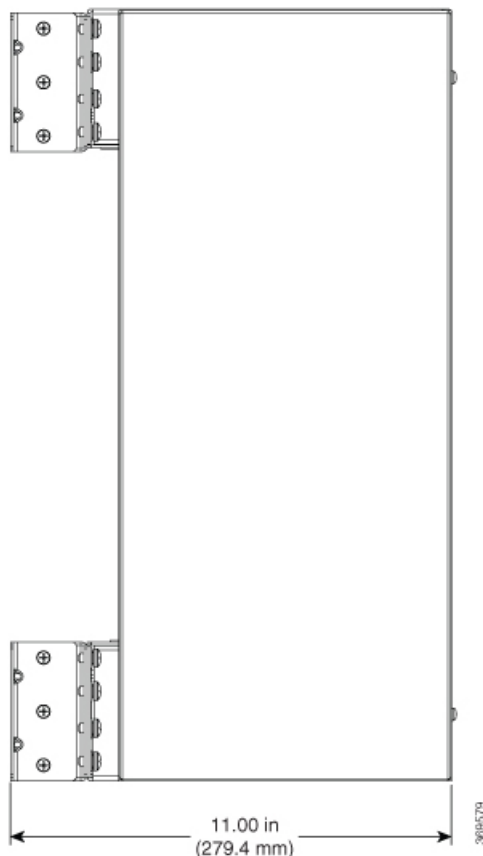


Figure 24: Side View of Cisco A907-F2B-AIR Clearance



The fan trays maintain acceptable operating temperatures for the internal components by drawing in cool air through the vents, and circulating the air through the chassis.

Air Flow Guidelines for Enclosed Rack Installation

To install a Cisco NCS 4216 14RU in a 4-post enclosed cabinet, the front and rear doors of the cabinet must be removed or be perforated with a minimum of 65% open area (70% for 800mm racks).

If you are mounting the chassis in a 4-post enclosed cabinet, ensure that you have a minimum of 6 inches (15.24 cm) of clearance on each side of the chassis.

The following guidelines will help you plan your equipment airflow:

- To ensure adequate air flow through the equipment rack, we recommend a minimum space of at least 6 inches on the front and rear of the system. However, the front space has to be adequate enough to open the system door.
- If airflow through the equipment rack and the routers that occupy it is blocked or restricted, or if the ambient air being drawn into the rack is too warm, an overtemperature condition can occur within the rack and the routers that occupy it.
- The site should also be as dust-free as possible. Dust tends to clog the router fans, reducing the flow of cooling air through the equipment rack and the routers that occupy it, thus increasing the risk of an overtemperature condition.

- Enclosed racks must have adequate ventilation. Ensure that the rack is not congested, because each router generates heat. An enclosed rack should have louvered sides and a fan to provide cooling air. Heat that is generated by the equipment near the bottom of the rack can be drawn upward into the intake ports of the equipment above.
- When mounting a chassis in an open rack, ensure that the rack frame does not block the side intakes and the exhaust fans.
- Avoid locating the Cisco NCS 4216 14RU in a location in which the chassis air intake vents may draw in the exhaust air from adjacent equipment.

Floor Loading Considerations

Ensure that the floor under the rack supporting the Cisco NCS 4216 14RU is capable of supporting the combined weight of the rack and all the other installed equipment.

To assess the weight of a fully configured Cisco NCS 4216 14RU, refer to the [System Specifications](#) section.

For additional information about floor loading requirements, consult *GR-63-CORE, Network Equipment Building System (NEBS) Requirements: Physical Protection*.

Site Power Guidelines

The Cisco NCS 4216 14RU has specific power and electrical wiring requirements. Adhering to these requirements ensures reliable operation of the system. Follow these precautions and recommendations when planning your site power for the Cisco NCS 4216 14RU:

- The redundant power option ensures that power to the chassis continues uninterrupted if one power supply fails or input power on one line fails.
- In systems configured with the redundant power option, connect each feed of the power supplies to a separate input power source. If you fail to do this, your system might be susceptible to total power failure due to a fault in the external wiring or a tripped circuit breaker.
- To prevent a loss of input power, be sure that the total maximum load on each circuit supplying the power supplies is within the current ratings of the wiring and the breakers.
- Check the power at your site before installation and periodically after installation to ensure that you are receiving clean power. Install a power conditioner if necessary.
- Provide proper grounding to avoid personal injury and damage to the equipment due to lightning striking power lines or due to power surges. The chassis ground must be attached to a central office or other interior ground system.



Caution

This product requires short-circuit (overcurrent) protection, to be provided as part of the building installation. Install only in accordance with national and local wiring regulations.



Note

The Cisco NCS 4216 14RU installation must comply with all the applicable codes and is approved for use with copper conductors only. The ground bond fastening hardware should be of compatible material and preclude loosening, deterioration, and electrochemical corrosion of hardware and joined material. Attachment of the chassis ground to a central office or other interior ground system must be made with a 6 AWG gauge wire, copper ground conductor at a minimum.

The maximum power draw of the Cisco NCS 4216 14RU chassis and its configurable hardware components are listed in the following table. The maximum power draw values are not affected by the number of PSUs installed in the chassis.

Hardware component(s)	Maximum power draw value
NCS4216-F2B-FAN (on top and bottom)	340 W (each)
NCS4216-PWR-FAN (PSU fan tray)	60 W
NCS4216-RSP (active)	230 W
NCS4216-RSP (standby)	230 W
NCS4200-1T8LR-PS (8-port 1GE SFP + 1-port 10 GE interface module)	29 W
NCS4200-8T-PS (8-port 10 GE SFP interface module)	57 W
NCS4200-2Q-P (2-port 40 GE SFP interface module)	53 W
NCS4200-1H-PK (1-port 100 GE SFP interface module)	62 W
NCS4200-1T8S-10CS (OC-192 Interface Module with 8-port Low Rate CEM Interface Module (10G HO / 10G LO))	92 W
NCS4200-48T1E1-CE (48 T1/E1 TDM Interface Module)	35 W
NCS4200-48T3E3-CE (48 T3/E3 TDM Interface Module)	52 W
NCS4200-1T16G-PS (8/16-port 1 Gigabit Ethernet (SFP/SFP) + 1-port 10 Gigabit Ethernet (SFP+) / 2-port 1 Gigabit Ethernet (CSFP) Interface Module)	44 W
NCS4200-3GMS (1-Port OC48/ STM-16 or 4-port OC-12/OC-3 / STM-1/STM-4 + 12-port T1/E1 + 4-Port T3/E3 CEM Interface Module)	55 W

Electrical Circuit Requirements

Each Cisco NCS 4216 14RU requires a dedicated electrical circuit. If you equip it with dual power feeds, provide a separate circuit for each power supply to avoid compromising the power redundancy feature.

For more information about the Cisco NCS 4216 14RU power supply, see the [Power Supply Features](#) section.

Site Cabling Guidelines

This section contains guidelines for wiring and cabling at your site. When preparing your site for network connections to the Cisco NCS 4216 14RU, consider the type of cable required for each component, and the cable limitations. Consider the distance limitations for signaling, electromagnetic interference (EMI), and connector compatibility. Possible cable types are fiber, thick or thin coaxial, foil twisted-pair, or unshielded twisted-pair cabling.

Also consider any additional interface equipment you need, such as transceivers, hubs, switches, modems, channel service units (CSU), or data service units (DSU).

Before you begin, read these important notes about cabling:

- The T1/E1 interface module for the Cisco NCS 4216 14RU uses a high-density connector that requires the use of a T1/E1 interface cable and a customer-provided patch panel. For more information, see the [Connecting T1/E1 cables](#) section.
- Shielded cables must be used to connect to the RJ-45 alarm connector on the fan tray in order to comply with FCC/EN55022/CISPR22 Class A emissions requirements. For information about the fan tray alarm port, see the [Connecting the Fan Tray Alarm Port](#) section.

Before you install the Cisco NCS 4216 14RU, have all the additional external equipment and cables on hand. For information about ordering, contact a Cisco customer service representative.

The extent of your network and the distances between the network interface connections depend in part on the following factors:

- Signal type
- Signal speed
- Transmission medium

The distance and rate limits referenced in the following sections are the IEEE-recommended maximum speeds and distances for signaling purposes. Use this information as a guideline in planning your network connections *prior to* installing the Cisco NCS 4216 14RU.

If wires exceed the recommended distances, or if wires pass between buildings, give special consideration to the effect of a lightning strike in your vicinity. The electromagnetic pulse caused by lightning or other high-energy phenomena can easily couple enough energy into unshielded conductors to destroy electronic devices. If you have had problems of this sort in the past, you may want to consult experts in electrical surge suppression and shielding.

Asynchronous Terminal Connections

The RSP provides a console port to connect a terminal or computer for local console access. The port has an RJ45 connector and supports RS-232 asynchronous data with distance recommendations specified in the IEEE RS-232 standard.

Interference Considerations

When wires are run for any significant distance, there is a risk that stray signals will be induced on the wires as interference. If interference signals are strong, they can cause data errors or damage to the equipment.

The following sections describe sources of interference and how to minimize its effects on the Cisco NCS 4216 14RU system.

Electromagnetic Interference

All equipment powered by DC current can propagate electrical energy that can cause EMI and possibly affect the operation of other equipment. The typical sources of EMI are equipment power cords and power service cables from electric utility companies.

Strong EMI can destroy the signal drivers and receivers in the Cisco NCS 4216 14RU and even create an electrical hazard by causing power surges through the power lines into installed equipment. These problems are rare but could be catastrophic.

To resolve these problems, you need specialized knowledge and equipment that could consume substantial time and money. However, you can ensure that you have a properly grounded and shielded electrical environment, paying special attention to the need for electrical surge suppression.

For information about the electrode magnetic compliance standards supported on the Cisco NCS 4216 14RU, see [Regulatory Compliance and Safety Information](#) for the Cisco NCS 4216 14RU.

Radio Frequency Interference

When electromagnetic fields act over a long distance, radio frequency interference (RFI) may be propagated. Building wiring can often act as an antenna, receiving the RFI signals and creating more EMI on the wiring.

If you use twisted-pair cable in your plant wiring with a good distribution of grounding conductors, the plant wiring is unlikely to emit radio interference. If you exceed the recommended distances, use a high-quality twisted-pair cable with one ground conductor for each data signal.

Rack-Mounting Guidelines

The sections provide guidelines for rack-mounting the Cisco NCS 4216 14RU.



Note You can install the NCS4216-F2B-SA chassis only into a 23-inches EIA Rack.

Precautions for Rack-Mounting

The following rack-mount guidelines are provided to ensure your safety:

- Do not move large racks by yourself. Due to the height and weight of a rack, a minimum of two people are required to accomplish this task.
- Ensure that the rack is level and stable before extending a component from the rack.
- Ensure that proper airflow is provided to the components in the rack.
- Do not step on or stand on any component or system when servicing other systems or components in a rack.
- When mounting the Cisco NCS 4216 14RU in a partially filled rack, load the rack from the bottom to the top, with the heaviest component at the bottom of the rack.
- If the rack is provided with stabilizing devices, install the stabilizers before mounting or servicing the unit in the rack.

Rack Selection Guidelines

The Cisco NCS 4216 14RU can be mounted in most two-post or four-post, 23-inch equipment racks that comply with the Electronic Industries Association (EIA) standard for equipment racks (EIA-310-D 23-inch). The rack must have at least two posts with mounting flanges to mount the chassis.



Caution When mounting a chassis in any type of rack equipment, ensure that the inlet air to the chassis does not exceed 55° C.

The distance between the center lines of the mounting holes on the two mounting posts must be 22.312 inches ± 0.06 inch (56.67 cm ± 0.15 cm).

Consider installing the Cisco NCS 4216 14RU in a rack with the following features:

- Network Equipment Building System (NEBS) compliant, 23-inch wide rack.
- Perforated top and open bottom for ventilation to prevent overheating.

- Leveling feet for stability.



Note The Cisco NCS 4216 14RU should *not* be installed in an enclosed rack because the chassis requires an unobstructed flow of cooling air to maintain acceptable operating temperatures for its internal components. Installing the router in any type of enclosed rack could disrupt the air flow, trap heat next to the chassis, and cause an over temperature condition inside the router. If you use an enclosed rack, ensure that there are air vents on all sides of the rack and there is proper ventilation.

Equipment Rack Guidelines

The placement of the rack can affect personnel safety, system maintenance, and the system's ability to operate within the environmental characteristics described in the [System Specifications](#) section. Choose a proper location for the Cisco NCS 4216 14RU by following the guidelines.

Locating for Safety

If the Cisco NCS 4216 14RU is the heaviest or the only piece of equipment in the rack, consider installing it at or near the bottom to ensure that the rack's center of gravity is as low as possible.

For additional information about the proper placement of electronic equipment, consult the document *GR-63-CORE, Network Equipment Building System (NEBS) Requirements: Physical Protection*.

Locating for Easy Maintenance

Keep at least 3 feet of clear space at the front and back of the rack. This space ensures that you can remove the Cisco NCS 4216 14RU components and perform routine maintenance and upgrades easily.

Avoid installing the Cisco NCS 4216 14RU in a congested rack and consider how routing of cables from other pieces of equipment in the same rack could affect access to the router cards.

The sides of the chassis must remain unobstructed to ensure adequate airflow and prevent overheating inside the chassis.

To avoid problems during installation and ongoing operations, follow these general precautions when you plan equipment locations and connections:

- Use the **show environment all** command regularly to check the internal system status. The environmental monitor continually checks the interior chassis environment; it provides warnings about high temperature and creates reports on other potentially dangerous occurrences. If warning messages are displayed, take immediate action to identify the cause, and correct the problem.
- Keep the Cisco NCS 4216 14RU off the floor and out of areas that collect dust.
- Follow ESD-prevention procedures to avoid damage to equipment. Damage from static discharge can cause immediate or intermittent equipment failure.

Locating for Proper Airflow

Ensure that the Cisco NCS 4216 14RU location has enough airflow to keep the system operating within the environmental characteristics and the air temperature is sufficient to compensate for the heat dissipated by the system. For more information, see the [Air Flow Guidelines](#) section.

Installation Checklist

To assist you with your installation and to provide a record of what was done by whom and when, photocopy the Cisco NCS 4216 14RU Installation Checklist shown in the table below. Use this to record the completion and verification of each procedure. After the checklist is completed, place it in your Site Log along with the other records pertaining to your new Cisco router.

Table 7: Cisco NCS 4216 14RU Installation Checklist

Task	Verified By	Date
Date on which chassis received		
Chassis and all accessories unpacked		
Types and numbers of interfaces verified		
Safety recommendations and guidelines reviewed		
Installation Checklist copied		
Site Log established and background information entered		
Site power voltages verified		
Site environmental specifications verified		
Required passwords, IP addresses, device names, and so on, available		
Required tools available		
Network connection equipment available		
Cable-management brackets installed (optional, but recommended)		
DC power cables connected to DC sources and router		
Network interface cables and devices connected		
System power turned on		
System boot complete (STATUS LED is on)		
Interface Modules are operational		
Correct software configuration displayed after system banner appears		

Creating a Site Log

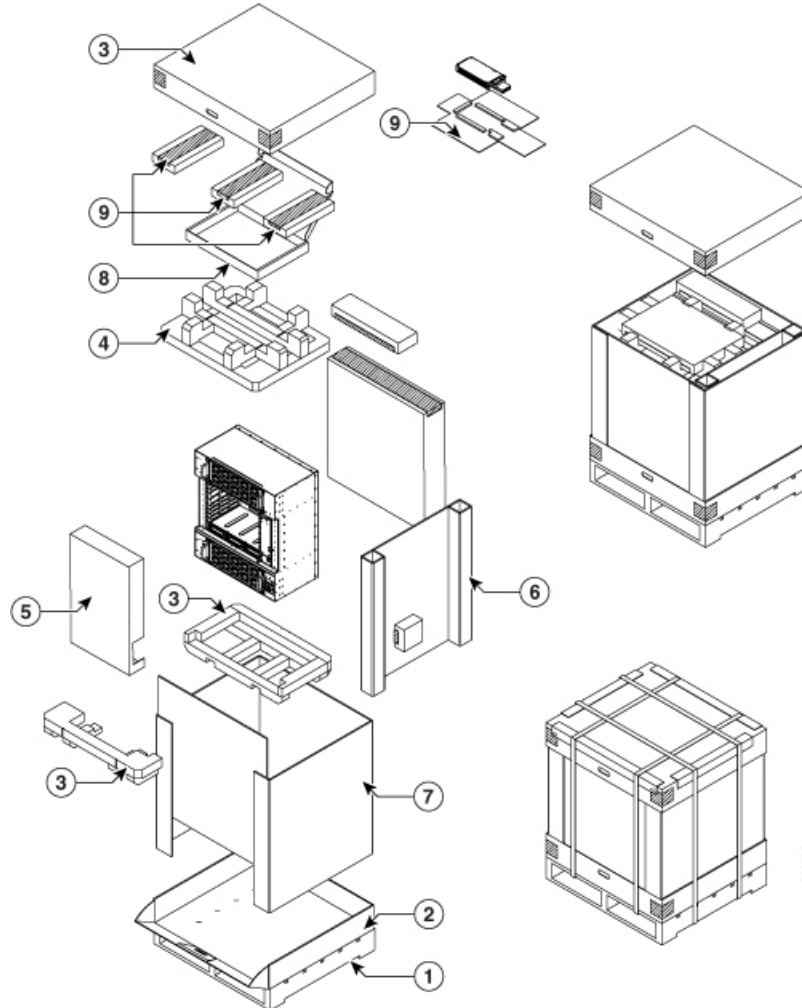
The Site Log provides a record of all the actions related to installing and maintaining the router. Keep it in an accessible place near the chassis so that anyone who performs tasks has access to it.

Create the Site Log prior to the installation. (See Appendix A, [Site Log and Manufacturers](#) section for more information on the Site Log as well as a sample Site Log that can be used to make copies.)

Receiving the Cisco NCS 4216 14RU

Each Cisco NCS 4216 14RU chassis is shipped in a container. See the figure below.

Figure 25: Cisco NCS 4216 14RU Packaged for Shipping



1 Pallet	6 Corrugated spacer
2 Pellet deck board	7 Carton
3 Bottom foam	8 Edge protector
4 Top foam	9 Tape
5 Tray	—

Chassis-Lifting Guidelines

The chassis is not intended to be moved frequently. Before you install the system, ensure that your site is properly prepared so that you can avoid having to move the chassis later to accommodate power sources and network connections.

Each time you lift the chassis, follow these guidelines:

- Ensure that your footing is solid, and balance the weight of the chassis between your feet.
- Lift the chassis slowly; never move suddenly or twist your body as you lift.
- Keep your back straight and lift with your legs, not your back. If you must bend down to lift the chassis, bend at the knees, not at the waist, to reduce the strain on your back muscles.
- Do not remove installed components from the chassis.
- Always disconnect all external cables before lifting or moving the chassis.



Warning

To prevent personal injury or damage to the chassis, never attempt to lift or tilt the chassis using the handles on modules (such as power supplies, fans, or cards); these types of handles are not designed to support the weight of the unit. Lift the unit only by using handles that are an integral part of the chassis, or by grasping the chassis underneath its lower edge. Statement 163

Tools and Equipment

You need the following tools and equipment to install and upgrade the router and its components:

- ESD-preventive cord and wrist strap
- Antistatic mat or antistatic foam
- Number 1 and Number 2 Phillips-head screwdrivers
- Flat-blade screwdrivers: Small 3/16-inch (0.476 cm) and medium 1/4-inch (0.625 cm):
 - To install or remove modules
 - To remove the cover if you are upgrading the memory or other components
- #12-24 pan-head screws to secure the router to the equipment rack
- Cables for connecting to the WAN and LAN ports (depending on the configuration)



Note

For more information on cable specifications, see the [Troubleshooting, on page 147](#) section.

- Ethernet hub or switch or PC with a network interface card for connecting to the Ethernet ports
- Console terminal (an ASCII terminal or a PC running terminal emulation software) that is configured for 9600 baud, 8 data bits, no parity, and 2 stop bits
- Console cable for connecting to the console port
- (Optional) Modem for connecting to the auxiliary port for remote administrative access
- Auxiliary cable for connecting to the auxiliary port (you can supply this cable or order one)
- Ratcheting torque screwdriver with a Phillips head that exerts up to 30 pound-force per square inch (in-lb) of pressure
- Crimping tool as specified by the ground lug manufacturer
- 6 or 8 AWG copper wire for the power cord

- Wire-stripping tools for stripping both 6 AWG and 8 AWG wire
- Tape measure and level
- #2 Phillips Dynamometric screwdriver
- Medium slot-head screwdriver
- Small slot-head screwdriver



Warning Only trained and qualified personnel should be allowed to install or replace this equipment. Statement 49

Unpacking and Verifying the Shipped Contents

When you receive your chassis, perform the following steps and use the Shipping Contents Checklist:

- Step 1** Inspect the box for any shipping damage. If there is obvious physical damage, contact your Cisco service representative.
- Step 2** Unpack the Cisco NCS 4216 14RU.
- Step 3** Perform a visual inspection of the chassis.
- Step 4** Use the table below to check the contents of the Cisco NCS 4216 14RU shipping container. Do not discard the shipping container. You will need the container if you move or ship the Cisco NCS 4216 14RU in the future.

What to do next

Table 8: Cisco NCS 4216 14RU Shipping Container Contents

Component	Description
Chassis	Cisco NCS 4216 14RU chassis (NCS4216-F2B-SA)
	Fan tray (NCS4216-F2B-FAN)
	Fan tray (NCS4216-PWR-FAN)
	Power supplies (A900-PWR900-D2)
	RSP (NCS4216-RSP)
	Interface modules

Component	Description
Accessories kit	Chassis rack-mount brackets (23-inch EIA)
	Three sets of screws: <ul style="list-style-type: none"> • Rack-mount bracket screws (2 sets) • Cable-management bracket screws
	Eight cable-management brackets
	Three earth lug with two 10-32 screws
	1 RJ45 to RJ45 crossover cable 1 RJ45 to DB-9 (female) adapter
	ANSI: #12-24 x 0.50 pan-head Phillips screws
	NCS4216-F2B-DOOR
ESD, wrist strap (disposable)	One disposable wrist strap (optional)
Documentation	<i>Regulatory Compliance and Safety Information for the Cisco NCS 4216 14RU</i>
Optional equipment	Check the container for the following optional equipment: <ul style="list-style-type: none"> • There are no cords for the DC power supply units • Patch Panel cables (Required only for TDM Interface modules)



Note Most Cisco documentation is available online. Documentation that is shipped with your Cisco NCS 4216 14RU includes the *Regulatory Compliance and Safety Information for the Cisco NCS 4200 Series Aggregation Service Router* document, and the *Cisco NCS 4200 Series Aggregation Service Router Documentation Roadmap* that contains information about the various documents that are available online and the links to them.



CHAPTER 3

Installing the Cisco NCS 4216 14RU

This chapter describes how to install the Cisco NCS 4216 14RU.

- [Prerequisites, on page 51](#)
- [Installing the Router in a Rack, on page 51](#)
- [Installing the Cisco NCS 4216 14RU Door, on page 54](#)
- [Installing the Patch Panel on the Rack, on page 56](#)
- [Installing the Chassis Ground Connection, on page 58](#)
- [Installing the Fan Tray, on page 61](#)
- [Installing the PSU Fan Tray, on page 66](#)
- [RSP Installation, on page 71](#)
- [Interface Module Installation, on page 74](#)
- [Installing the Power Supply, on page 77](#)
- [Connecting the Cisco NCS 4216 14RU Router to the Network, on page 87](#)

Prerequisites

Before installing the Cisco NCS 4216 14RU, it is important to prepare for the installation by:

- Preparing the site (site planning) and reviewing the installation plans or method of procedures (MOP)
- Unpacking and inspecting the Cisco NCS 4216 14RU
- Gathering the tools and test equipment required to properly install the Cisco NCS 4216 14RU

For more instructions on how to prepare for the installation of the Cisco NCS 4216 14RU, see the [Preparing for Installation](#) section.

Installing the Router in a Rack

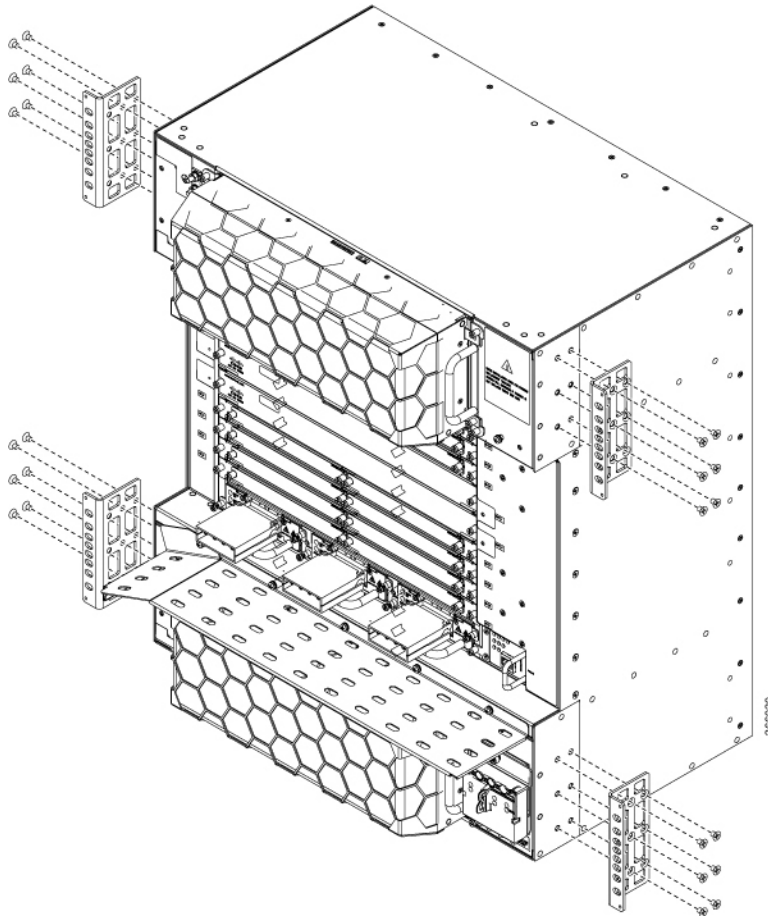
The following sections describe how to install the Cisco NCS 4216 14 RU Router in a rack:

Installing the Chassis Brackets

The chassis is shipped with mounting brackets that can be installed on the front or rear of the chassis. To install the brackets on the front of the chassis, perform these steps:

- Step 1** Remove the rack-mount brackets from the accessory kit and position them beside the router chassis. The figure below shows how to attach the brackets on the Cisco NCS 4216 14RU Router for the 23-inch rack.

Figure 26: Attaching Mounting Brackets for the 23-inch Rack



- Step 2** Position one of the brackets against the chassis side, and align the screw holes.
- Step 3** Secure the bracket to the chassis with the screws removed when performing Step 1. The recommended maximum torque is 28 in.-lb (3.16 N-m).

What to do next

Repeat Step 2 and Step 3 for the other bracket.

Installing the Router Chassis in the Rack

The procedures in this section apply to both horizontal and vertical mounting of the router in a rack.

To install the router chassis in the equipment rack, perform these steps:

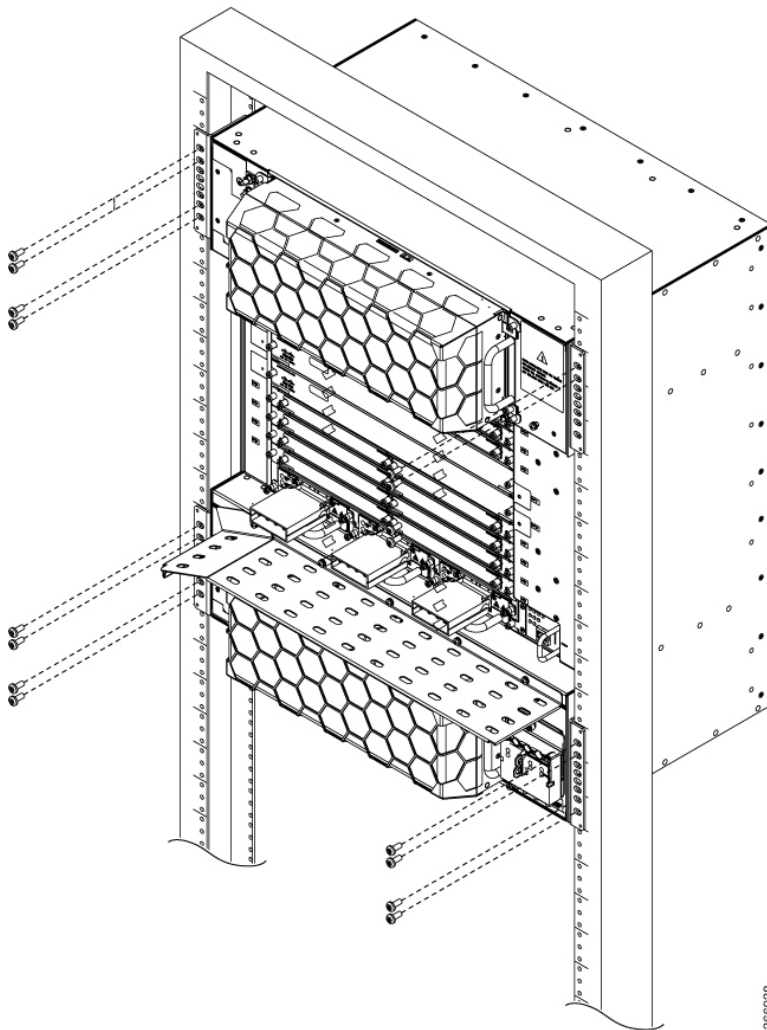
Step 1 Position the chassis in the rack as follows:

- If the front of the chassis (front panel) is at the front of the rack, insert the rear of the chassis between the mounting posts.
- If the rear of the chassis is at the front of the rack, insert the front of the chassis between the mounting posts.

Step 2 Align the mounting holes in the bracket (and optional cable guide) with the mounting holes in the equipment rack.

Caution Do not use interface module and power supply ejector handles to lift the chassis; using the handles to lift the chassis can deform or damage the handles. Installing the Chassis to support the Japanese JIS Rack Standard.

Figure 27: Installing the Chassis in the 23-inch Rack



Step 3 Install the 8 or 12 (4 or 6 per side) 12-24 x 3/4-inch or 10-32 x 3/4-inch screws through the holes in the bracket and into the threaded holes in the equipment rack posts.

Step 4 Use a tape measure and level to verify that the chassis is installed straight and level.

Installing the Cisco NCS 4216 14RU Door

This section describes how to install the Cisco NCS 4216 14RU door.

Figure 28: Installing the Door Brackets

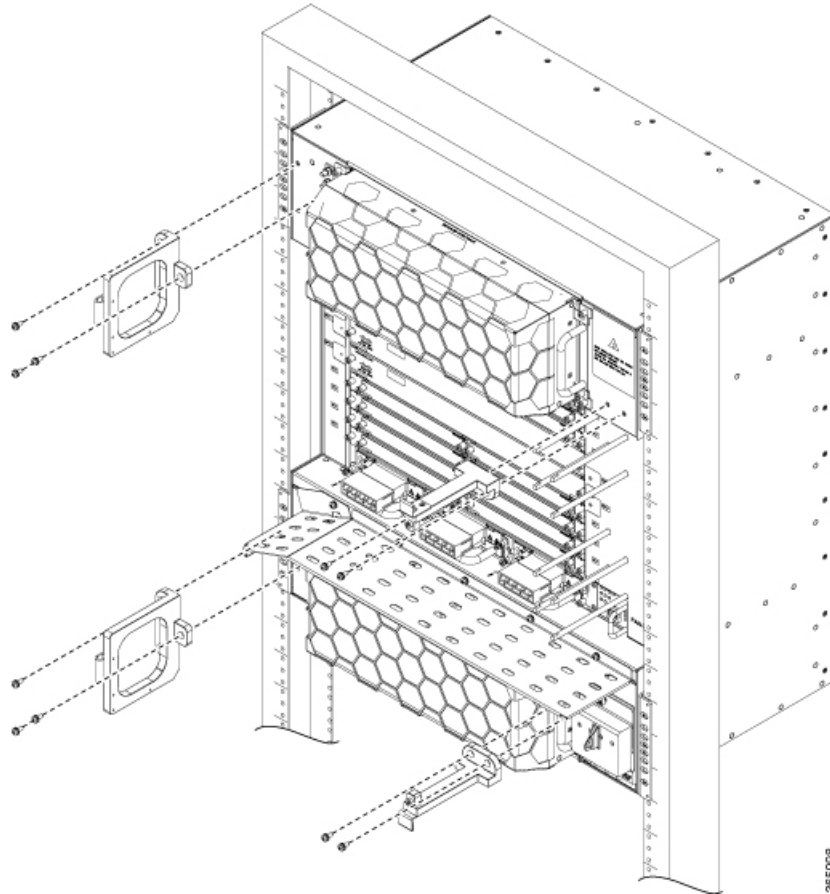
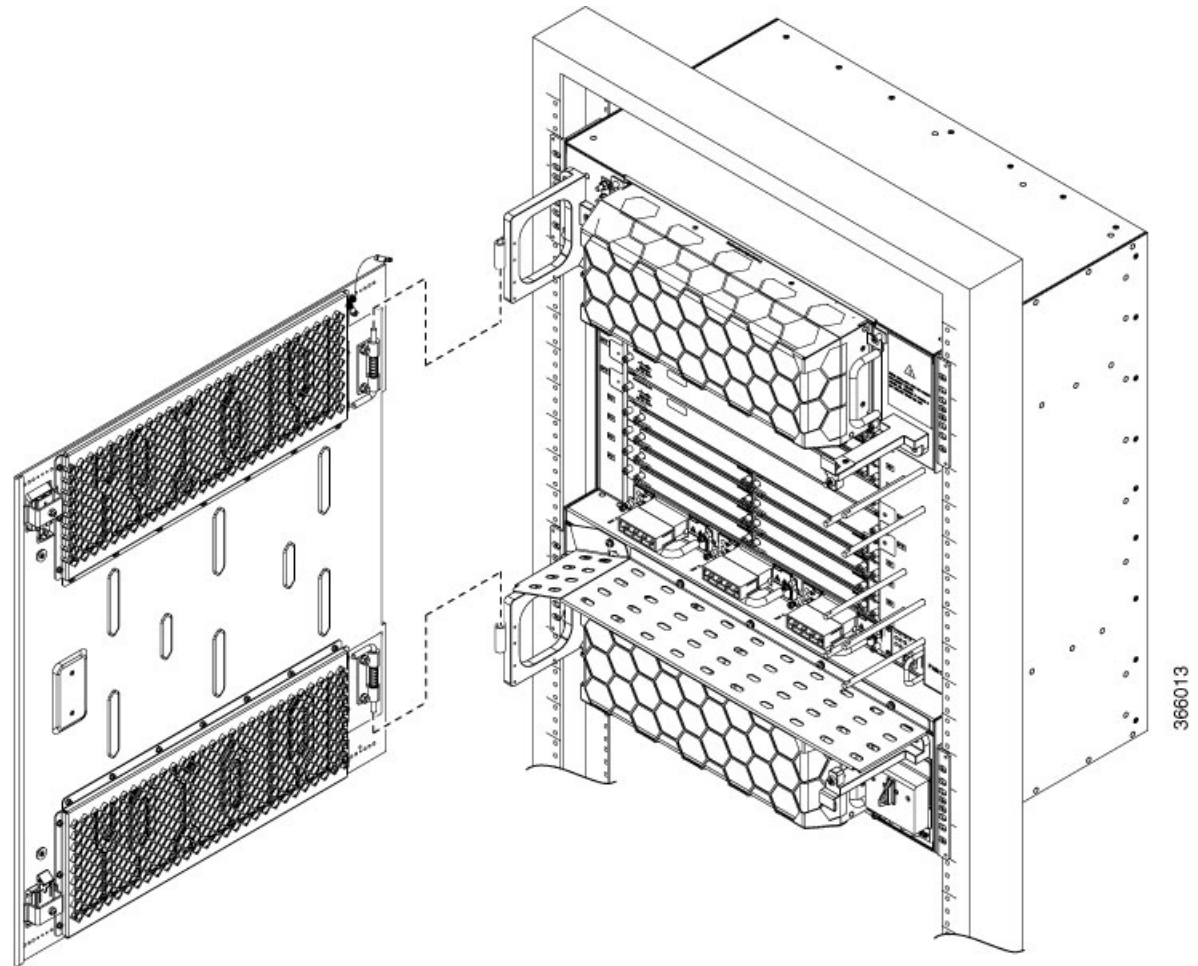


Figure 29: Installing the Cisco NCS 4216 14RU Door



To install the door of NCS 4216 14RU shelf, follow the steps below:

-
- Step 1** Align the left door bracket screw holes against the shelf screw holes.
- Step 2** Insert the fasteners provided along with the packaging (four screws from outside and two screws from inside of the two door brackets) and tighten them to a torque value of 11.5 in-lb (1.3 N-m).
- Step 3** Place a safety washer on the front bottom of the door brackets and fasten it with a fastener.
- Step 4** Align the door latches against screw holes on the opposite side.
- Step 5** Insert the fasteners provided along with the packaging (four screws with two screws on the bottom and two screws on the top) and tighten them to a torque value of 11.5 in-lb (1.3 N-m).
- Step 6** Pull the top hinge pin down on the door.
- Note** The bottom hinge pin is fixed.
- Step 7** Align the door hinges with the bracket hinges.
- Step 8** Slide the bottom hinge pin into the bracket hinge and move the top hinge pin in the upward direction.
- Note** The ground strap cable is pre-installed on the door.

- Step 9** Connect the other end of the ground strap cable to a grounding point on the door bracket using a fastener.
-

Removing and Replacing the Door of the NCS 4216 14RU Shelf

This procedure opens and removes the door of the Cisco NCS 4216 14RU shelf.



Note The Cisco NCS 4216 14RU shelf has an ESD plug input and is shipped with an ESD wrist strap. The ESD plug input is located on the outside of the shelf on the right side. It is labeled “ESD” on the top and bottom. Always wear an ESD wrist strap and connect the strap to the ESD plug when working on the NCS shelf.

To open and remove the door of the Cisco NCS 4216 14RU router, follow the steps below:

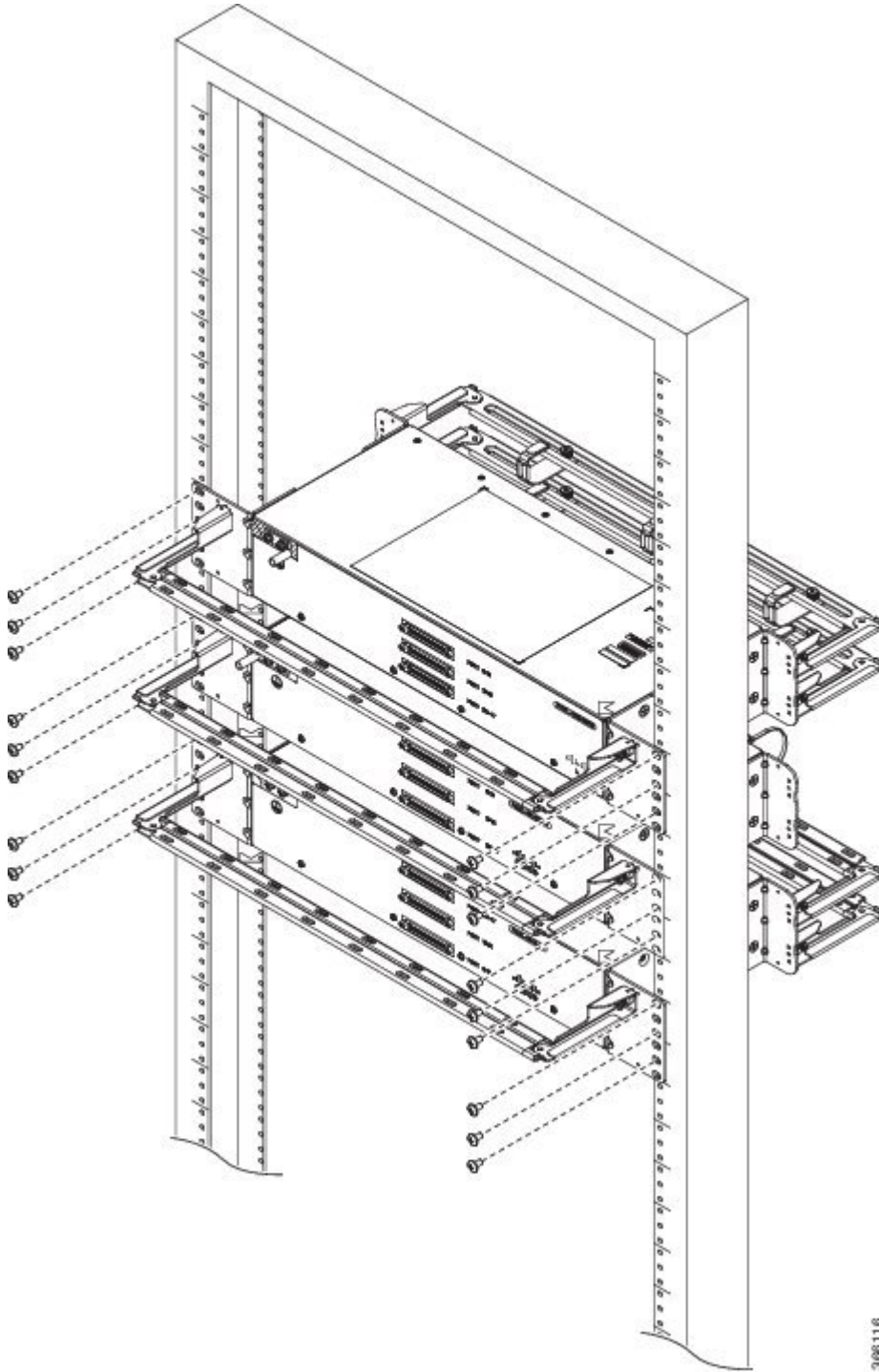
- Step 1** Flip the latches on the top and bottom to unlock the door.
- Step 2** Swing the door open.
- Step 3** Remove the ground cable from the shelf by removing the screw.
- Step 4** Pull the top hinge pin holding the door to the chassis, in the downward direction.
- Step 5** Lift the door out of the bottom hinge pin to remove the door from its hinges.
-

Installing the Patch Panel on the Rack

This procedure installs the Patch Panel on the Rack.

- Step 1** Assemble the patch panels on the opposite side of the rack to make the cable routing process easy.
- Step 2** Fix one patch panel with a minimum of two screws on each side.

Figure 30: Installing the Patch Panel on the Rack



Installing the Chassis Ground Connection

Before you connect the power or turn on the power to the Cisco NCS 4216 14RU, you must provide an adequate chassis ground (earth) connection to your router.

This section describes how to ground the Cisco NCS 4216 14RU chassis. The router provides two locations for attaching a 2-hole grounding lug according to the rack-mounting brackets you use to install the router.



Note It is sufficient to connect only one grounding lug.

Figure 31: Attaching a Grounding Lug to the Front of the Router

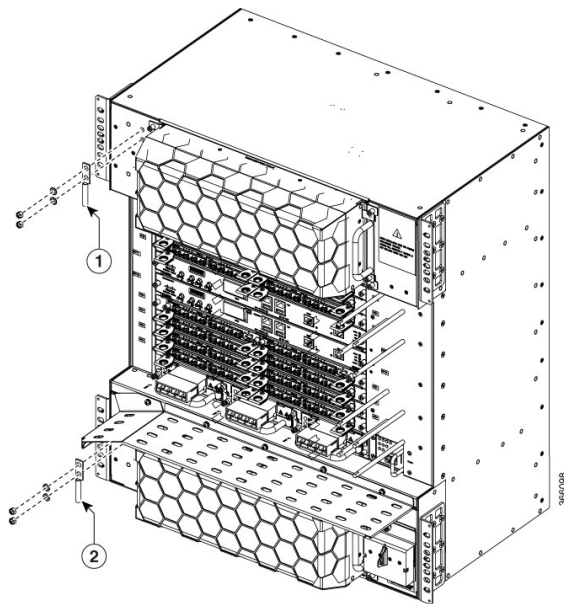
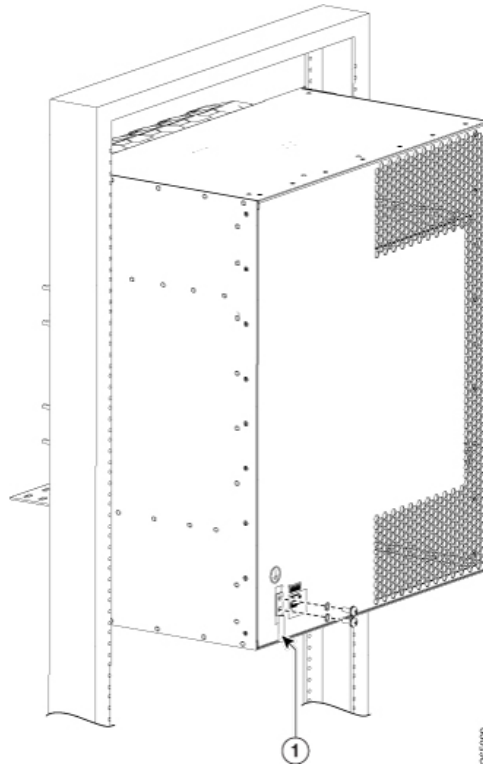


Figure 32: Attaching a Grounding Lug to the Rear of the Router



1, 2	Grounding lug
---------	---------------

To ensure that the chassis ground connection that you provide is adequate, you need the following parts and tools:

- Ratcheting torque screwdriver with Phillips head that exerts up to 15 in.-lb (1.69 N-m) of pressure for attaching the ground wire to the router
- Crimping tool as specified by the ground lug manufacturer
- 6 or 8 AWG copper wire for the power cord
- 6 AWG or larger copper wire for the ground wire
- Wire-stripping tools appropriate to the wire you are using



Caution

Before making connections to the Cisco NCS 4216 14RU, ensure that you disconnect the power at the circuit breaker. Otherwise, severe injury to you or damage to the router may occur.



Warning

This equipment must be grounded. Never defeat the ground conductor or operate the equipment in the absence of a suitably installed ground conductor. Contact the appropriate electrical inspection authority or an electrician if you are uncertain that suitable grounding is available. Statement 1024



Warning Use copper conductors only. Statement 1025



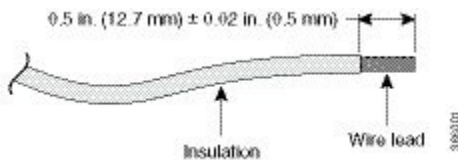
Warning When installing the unit, the ground connection must always be made first and disconnected last. Statement 42

This unit is to be installed in a restrictive access location and must be permanently grounded to minimum 6 AWG copper ground wire.

Perform the following procedure to ground the Cisco NCS 4216 14RU using a 2-hole lug and the corresponding mounting point. Most carriers require a minimum 6 AWG ground connection. Verify your carrier's requirements for the ground connection.

Step 1 If your ground wire is insulated, use a wire-stripping tool to strip the ground wire to 0.5 inch \pm 0.02 inch (12.7 mm \pm 0.5 mm).

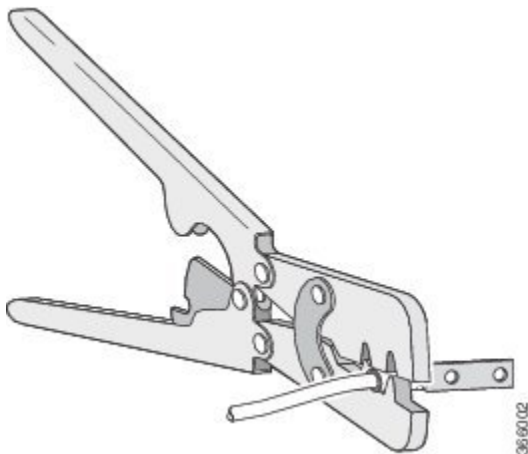
Figure 33: Stripping a Ground Wire



Step 2 Slide the open end of your 2-hole ground lug over the exposed area of the ground wire.

Step 3 Using a crimping tool (as specified by the ground lug manufacturer), crimp the ground lug to the ground wire as shown in the figure below.

Figure 34: Crimping a Ground Lug onto the Ground Wire



Step 4 Use a Phillips head screwdriver to attach the 2-hole ground lug and wire assembly to the router with the 2 pan-head Phillips head screws. For a 23-inch EIA rack, attach the 2-hole ground lug to the front or the rear of the router.

Step 5 Connect the other end of the ground wire to a suitable grounding point at your site.

Installing the Fan Tray

The fan tray is a modular unit that provides cooling to the Cisco NCS 4216 14RU. Follow these steps to install the fan tray in the chassis:



Warning Do not introduce body parts or objects in the fan tray slot when installing or removing the fan tray module. Exposed circuitry is an energy hazard.

Step 1 Insert the fan trays gently inside the flap door to allow smooth entry of the fan as shown below. For more instructions, refer to the caution label on the flap door.

Figure 35: Flap Door for Fan Tray

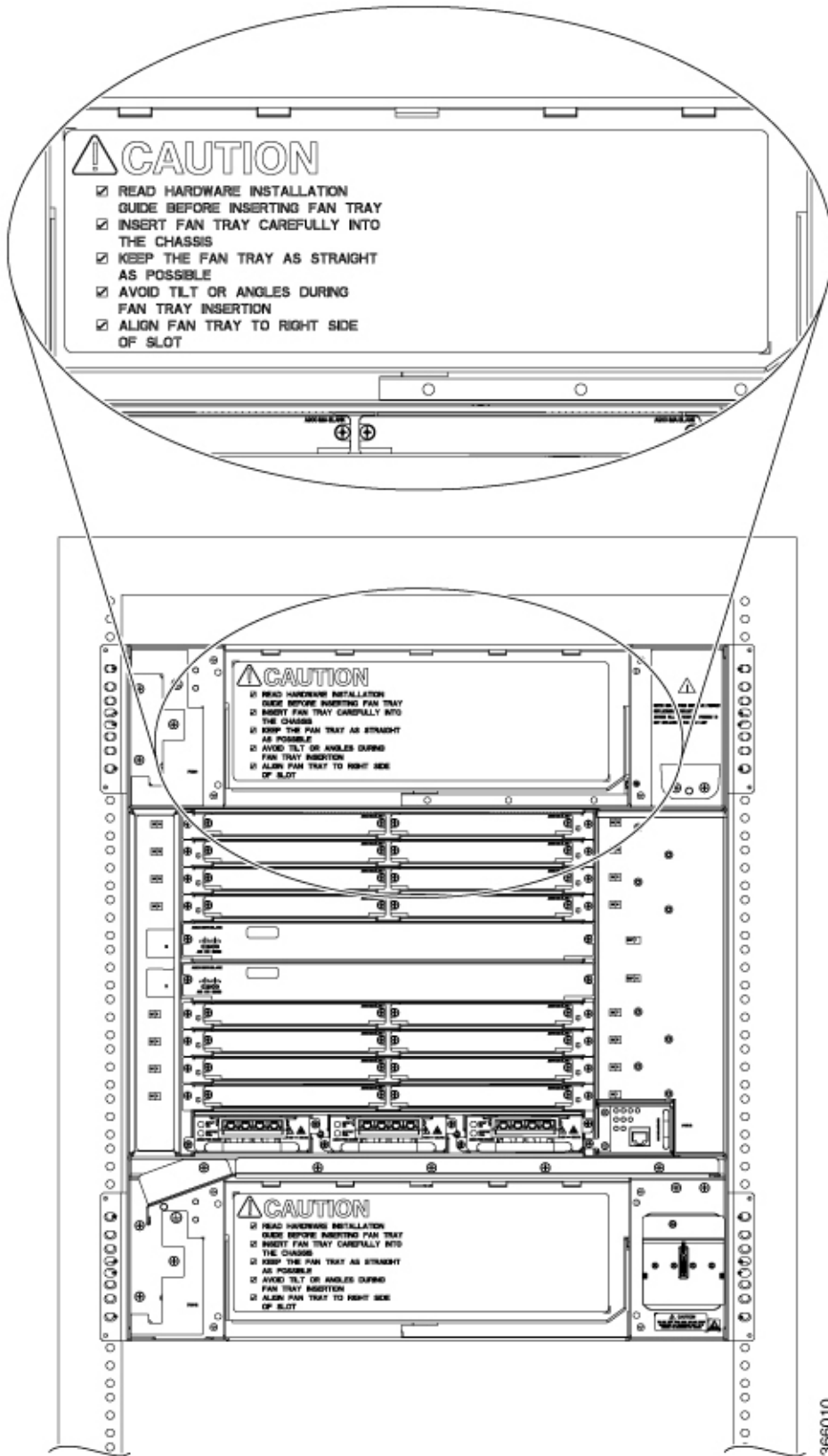
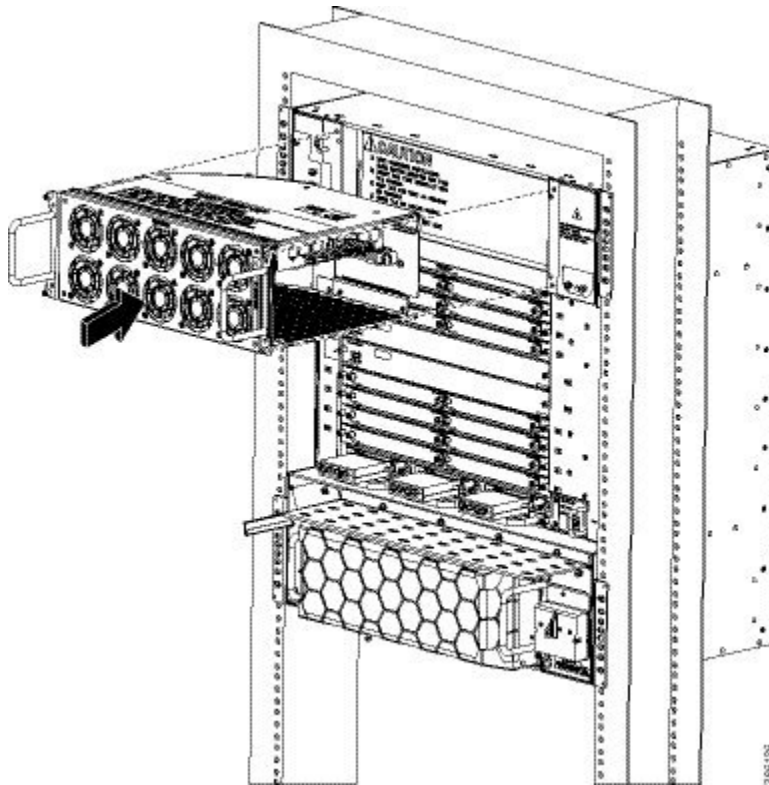


Figure 36: Installing the Fan Tray



Note The fan trays are assembled with filters when shipped. You can remove the filters for easy installation of fan trays. For more information, see [Removing and Replacing the Dust Filter](#) section.

Warning While installing the fan tray, align the fan tray towards the right of the chassis to avoid any damage to your fingers or to the equipment. The fans are exposed on the front of the fan tray without the dust filter. Always handle the fan tray by the handle.

Step 2 Orient the fan trays so that the captive screws are on the top of the fan tray's front panel.

Step 3 Guide the fan trays into the chassis until it is fully seated.

Step 4 Secure the fan trays to the chassis using the attached captive installation screws. The recommended maximum torque is 5.5 in.-lb (.62 N-m).

Note Top fan tray is the master fan tray and it is mandatory to run. Without the top fan tray the PSU fan tray runs at full speed.

This completes the procedure for installing or replacing the fan trays in a Cisco NCS 4216 14RU.

For information about connecting cables to the fan tray alarm port, see the [Connecting the Fan Tray Alarm Port](#) section. For a summary of the LEDs on the fan tray, see the [LED Summary](#) section. For more information about air flow guidelines, see [Air Flow Guidelines](#) section.

Removing the Dust Filter

Remove the dust filter for a replacement.

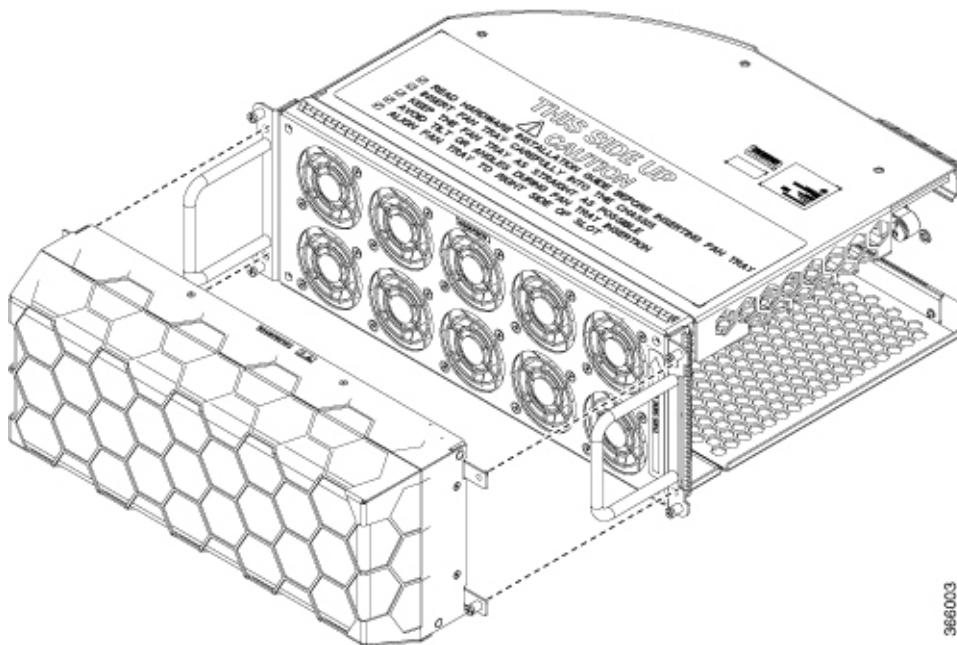
**Note**

- The dust filter is a single-use component.
- Use the dust filter (A907-FAN-F) within 6 months of buying as the shelf or storage life is less than 6 months. The ideal storage condition for a filter is a cool, dry, and dark environment. Surroundings that adversely affect the dust filter are high heat, humidity at high temperatures, and ultraviolet light.

Removing and Replacing the Dust Filter

- Step 1** Remove the fan filter cover (NCS4216-F2B-FAN-F=) by unscrewing the captive installation screws at the top and bottom of the dust filter frame. See the figure below.

Figure 37: Fan Filter



- Step 2** Fix the new dust filter onto the fan tray.
- Step 3** Secure the filter with the top and bottom captive screws, in the chassis.

Dust Filter Maintenance

A periodic health check of the filter, every three months based on the level of dust in the environment helps in avoiding over clogging of the filters and provide better life. The product's filter may be used as a single use or reused depending upon the local deployment needs. If reuse of the filter is prohibited, it may be replaced every six months with the part number (NCS4216-F2B-FAN-F=) or equivalent.



Caution Avoid using harsh solvents or cleaning agents.

Removing and Replacing the Fan Tray

The fan tray supports online insertion and removal (OIR). There's no need to power down the Cisco NCS 4216 14RU to remove or replace the fan tray. You can remove or replace only one fan tray at a time. However, if the fan tray is removed for more than 5 minutes at 30° C, the router shuts down. If more than one fan tray is removed, the system shuts down immediately. Once the thermal overload condition is absent, the system attempts to power up automatically if the fan tray is reinserted and the system temperature is within limits. At approximately 25° C, the system powers back in 2 minutes.



Note If the system shuts down due to overheating, the removed fan tray must be reinserted before powering up the system. After the system is online, the alarms generated before the shutdown must be cleared in the Cisco Evolved Programmable Network Manager (EPNM) or any other server manager used to manage the device.



Note Don't introduce body parts or objects in the fan tray slot when installing or removing the fan tray module. Exposed circuitry is an energy hazard.



Caution The router can stay active for up to 60 seconds if the temperature is below the ambient limit. However, in the event of an overtemperature alarm, the router can shut down in less than 60 seconds. In the event of a critical temperature alarm, the router shuts down immediately.



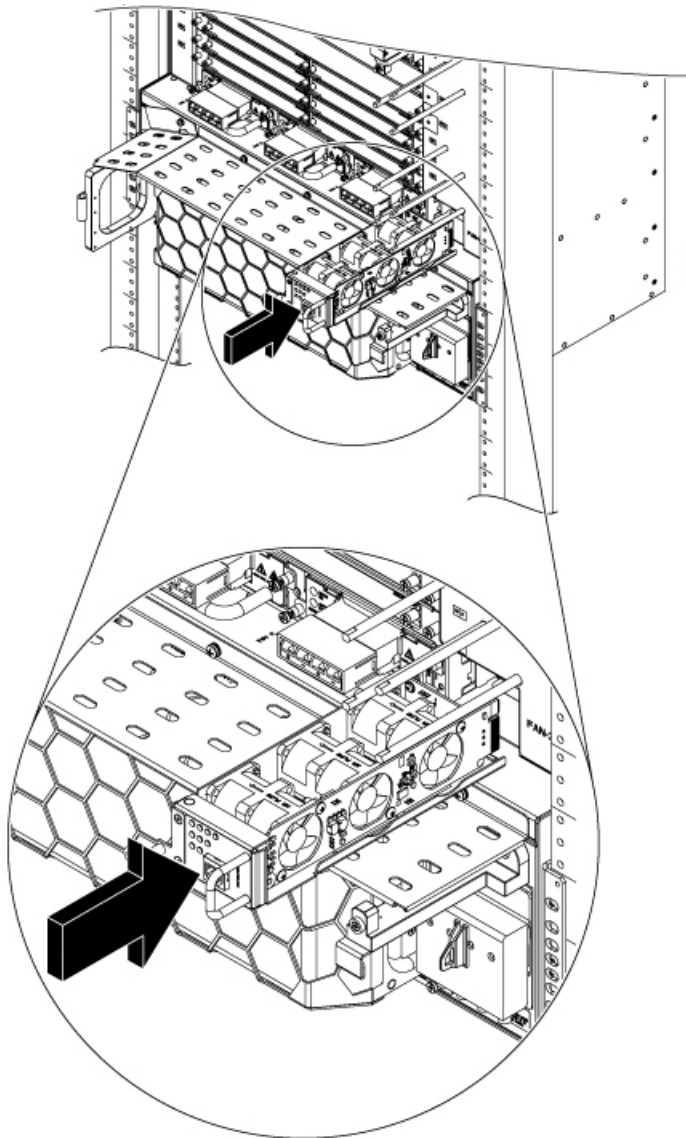
Caution To avoid erroneous failure messages, allow at least 2 minutes for the system to reinitialize after the fan tray has been removed or replaced.

Installing the PSU Fan Tray

Follow these steps to install the PSU fan tray on the Cisco NCS 4216 14RU:

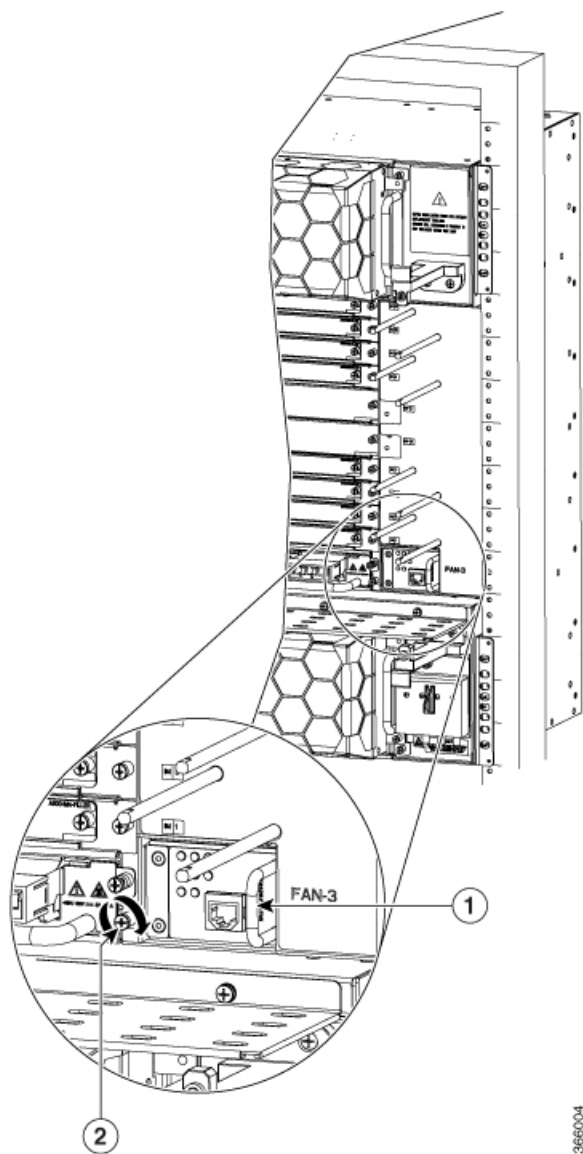
Step 1 Insert the PSU fan tray into the chassis until it is firmly seated.

Figure 38: Installing the PSU Fan Tray



- Step 2** Using a No. 2 Phillips screwdriver or your fingers, tighten the captive installation screw that secures the fan tray to the chassis. The following figure shows the front of the fan tray, including the captive installation screws.

Figure 39: Attaching the Fan Tray



366004

1	Fan tray handle	2	Captive screw
---	-----------------	---	---------------

Step 3 Ensure that the fan tray is fixed and engaged to the power receptacle on the midplane.

Removing and Replacing the PSU Fan Tray

Follow these steps to remove and replace the PSU fan tray on the Cisco NCS 4216 14RU:

-
- Step 1** Using a No. 2 Phillips screwdriver or your fingers, loosen the captive installation screw that secures the fan tray to the chassis.
- Step 2** Grasp the fan tray handle with one hand and pull out.
- Caution** The fans are exposed on the right side of the fan tray. Keep your fingers, clothing, and jewelry away from the fans. Always handle the fan tray by the handle.
- Step 3** Pull the fan tray toward you no more than 1 inch to disengage it from the power receptacle on the midplane, as shown in the following figure.

Figure 40: Fan Tray Removal

Warning When removing the fan tray, keep your hands and fingers away from the spinning fan blades. Let the fan blades completely stop before you remove the fan tray. Statement 258

Note As the fan tray slides out of the chassis, support the bottom of the fan tray with one hand and keep your other hand on the fan tray handle.

Note The chassis must not be allowed to operate without fans.

Step 4 Completely remove the fan tray from the chassis and replace it with a new one.

RSP Installation

Follow the steps in the sections below on handling an RSP module in the Cisco NCS 4216 14RU:

Installing an RSP Module

To install an RSP module in the router chassis, perform the following steps:

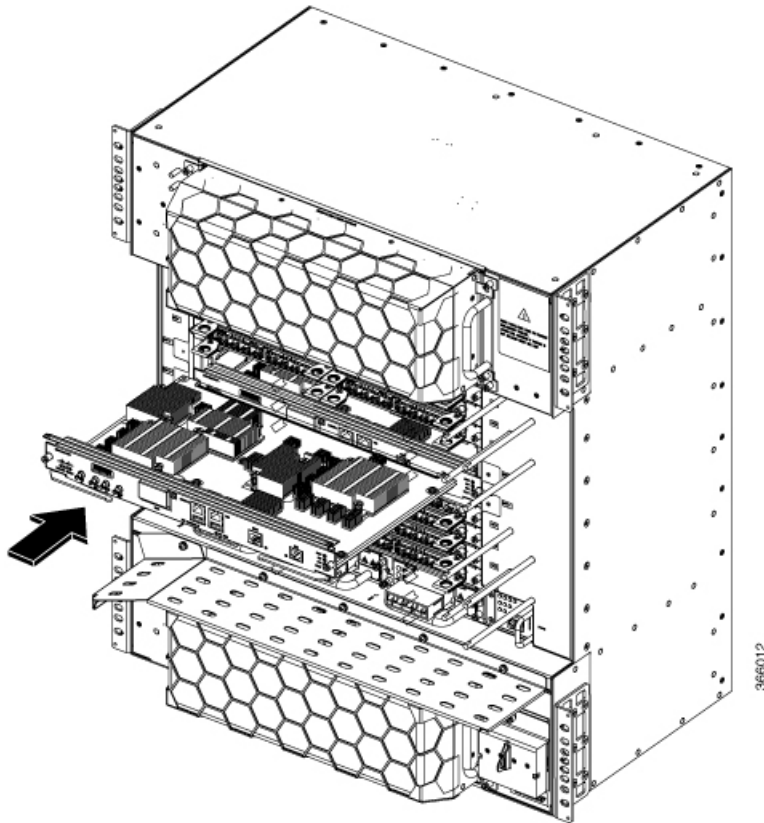
Step 1 Choose a slot for the module. Make sure that there is enough clearance to accommodate any equipment that will be connected to the ports on the module. If a blank module filler plate is installed in the slot in which you plan to install the module, remove the plate by removing its 2 Phillips pan-head screws.

Step 2 Fully open both the ejector levers on the new module, as shown in the figure below.

Caution To prevent ESD damage, handle modules by carrier edges only.

Step 3 Position the module in the slot. Make sure that you align the sides of the module with the guides on each side of the slot, as shown in the figure below.

Figure 41: Cisco NCS 4216 14RU RSP Installation



- Step 4** Carefully slide the module into the slot until the EMI gasket on the module makes contact with the module in the adjacent slot and both the ejector levers have closed to approximately 45 degrees with respect to the module faceplate.
- Caution** If the top slot already has an RSP module installed, and you install a second RSP module in the slot below it, be careful not to damage the EMI gasket of the bottom RSP module against the ejector levers of the top RSP during insertion.
- Step 5** While pressing down, simultaneously close both the ejector levers to fully seat the module in the backplane connector. The ejector levers are fully closed when they are flush with the module faceplate.
- Step 6** Tighten the two captive installation screws on the module. The recommended maximum torque is 5.5 in.-lb (.62 N-m).
- Note** Make sure that the ejector levers are fully closed before tightening the captive installation screws.
- Step 7** Verify that the captive installation screws are tightened on all of the modules installed in the chassis. This step ensures that the EMI gaskets on all the modules are fully compressed in order to maximize the opening space for the new or replacement module.
- Note** If the captive installation screws are loose, the EMI gaskets on the installed modules will push adjacent modules toward the open slot, which reduces the size of the opening and makes it difficult to install the new module.
- Caution** Blank module filler plates (Cisco part number A90X-RSPA-BLANK-W) should be installed in any empty chassis slots to keep dust out of the chassis and to maintain consistent airflow through the chassis.

Note When installing the cabling to an RSP, we recommend that you leave a service loop of extra cabling sufficient to allow for fan tray removal.

Removing an RSP Module

Before you remove an RSP from the router, you must save the current configuration on a TFTP server or an external USB flash drive, using the **copy running-config {ftp | tftp | bootflash:}** command. This saves you time when bringing the module back online.

If the module is running Cisco IOS software, save the current running configuration by entering the **copy running-config startup-config** command.



Warning Hazardous voltage or energy is present on the backplane when the system is operating. Use caution when servicing. Statement 1034



Warning Invisible laser radiation may be emitted from disconnected fibers or connectors. Do not stare into beams or view directly with optical instruments. Statement 1051

To remove an RSP module, perform the following steps:

Step 1 Disconnect any cables attached to the ports on the module.

Step 2 Verify that the captive installation screws on all the modules in the chassis are tight. This step ensures that the space created by the removed module is maintained.

Note If the captive installation screws are loose, the EMI gaskets on the installed modules push the modules toward the open slot, which in turn reduces the size of the opening and makes it difficult to remove the module.

Step 3 Loosen the two captive installation screws on the module you plan to remove from the chassis.

Step 4 Place your thumbs on the ejector levers (see figure *Cisco NCS 4216 14RU RSP Installation*) and simultaneously rotate the ejector levers outward to unseat the module from the backplane connector.

Step 5 Grasp the front edge of the module and slide the module straight out of the slot. If the chassis has horizontal slots, place your hand under the module to support its weight as you slide it out from the slot. Do not touch the module circuitry.

Caution To prevent ESD damage, handle modules by the carrier edges only.

Step 6 Place the module on an antistatic mat or antistatic foam, or immediately reinstall the module in another slot.

Step 7 Install blank module filler plates (Cisco part number A9XX-RSPB-BLANK) in empty slots, if any.

Warning Blank faceplates and cover panels serve three important functions: they prevent exposure to hazardous voltages and currents inside the chassis; they contain electromagnetic interference (EMI) that might disrupt other equipment; and they direct the flow of cooling air through the chassis. Do not operate the system unless all cards, faceplates, front covers, and rear covers are in place. Statement 1029

Hot-Swapping an RSP Module

The Cisco NCS 4216 14RU provides a feature that allows you to remove and replace a redundant RSP module without powering down the router. This feature, called hot-swapping or OIR, allows you to remove and replace a redundant module without disrupting router operation.

When two redundant modules are installed in the router, only one of the modules is active. The other one runs in standby mode, ready to take over processing if the active module fails.

When you remove or insert a redundant module while the router is powered on and running, the router does the following:

1. Determines if there is sufficient power for the module.
2. Scans the backplane for configuration changes.
3. Initializes the newly inserted module. In addition, the system notes any removed modules and places those modules in the administratively shutdown state.
4. Places any previously configured interfaces on the module back to the state they were in when they were removed. Any newly inserted interfaces are put in the administratively shutdown state as if they were present (but unconfigured) at boot time. If you insert the same type of module into a slot, its ports are configured and brought online up to the port count of the original module.

The router runs diagnostic tests on any new interfaces and the test results indicate the following:

- If the tests pass, the router is operating normally.
- If the new module is faulty, the router resumes normal operation but leaves the new interfaces disabled.
- If the diagnostic tests fail, the router stops operating, which usually indicates that the new module has a problem in the bus and should be removed.

Use the following guidelines when performing an OIR on an IM:

- Allow at least 2 minutes for the system to reinitialize before inserting a new IM.
- Avoid inserting a new IM during bootup until the active and standby RSPs have reached an OK state.
- When inserting multiple IMs into the chassis, wait until each IM reaches an OK state before inserting the next IM.

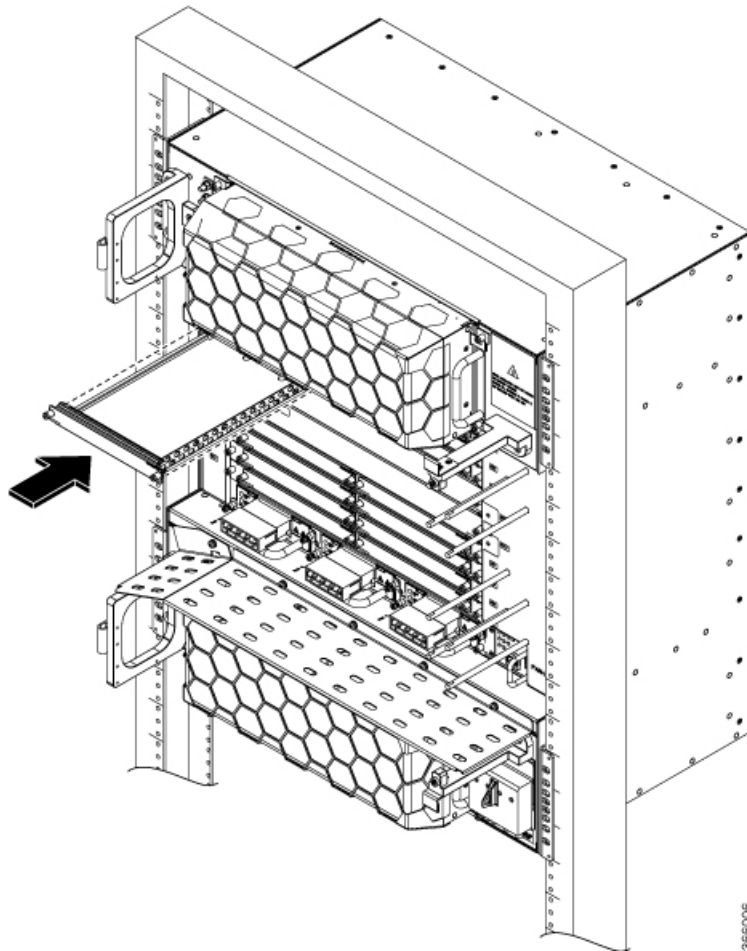
Interface Module Installation

The sections describe the various tasks of associated with interface module installation on the Cisco NCS 4216 14RU:

Installing an Interface Module

-
- Step 1** Before inserting an interface module, make sure that the chassis is grounded.
- Step 2** To insert the interface module, carefully align the edges of the interface module between the upper and lower edges of the router slot.
- Step 3** Carefully slide the interface module into the router slot until the interface module makes contact with the backplane. The following figure shows how to install the interface module.
- Note** Ensure that none of the slots remain empty, else insert the filler trays (A900-IMA-FILLER) in the respective slots.

Figure 42: Inserting an Interface Module



- Step 4** Tighten the locking thumbscrews on both sides of the interface module. The recommended maximum torque is 5.5 in.-lb (.62 N-m).
- Step 5** Connect all the cables to each interface module.

What to do next



Caution Do not use interface module and power supply ejector handles to lift the chassis; using the handles to lift the chassis can deform or damage the handles.

Removing an Interface Module

- Step 1** To remove an interface module, disconnect all the cables from each interface module.
- Step 2** Loosen the locking thumbscrews on both sides of the interface module.

- Step 3** Slide the interface module out of the router slot by pulling on the handles. If you are removing a blank filler plate, pull the blank filler plate completely out of the router slot using the captive screws.
- Step 4** If the interface module slot is meant to be empty, then ensure that blank filler plates are installed in the respective slots.

Hot-Swapping an Interface Module

The Cisco NCS 4216 14RU provides a feature that allows you to remove and replace an interface module without powering down the router. This feature, called hot-swapping or OIR, allows you to remove and replace a redundant module without disrupting router operation.

The Cisco NCS 4216 14RU does not support hot-swapping an interface module with another module of a different type. For example, you cannot swap an SFP Gigabit Ethernet module with a copper Gigabit Ethernet module without disrupting router operation.

- If the TDM interface module is swapped with the Gigabit Ethernet module in the same slot or vice-versa, the router must be reloaded.

If you perform OIR on an interface module and move the module to a different slot, the router does not retain the module configuration; you must reconfigure the interface module.

Replacing a configured interface module with a different interface module in the same slot is not supported on the router.



Note Always refer to Interface Module compatibility matrix tables in the Data Sheet before you swap any IM.

Table 9: Supported Hot Swapping Combinations

Interface Modules	NCS4216-RSP/Cisco IOS XE Release
SFP Combo IM—8-port Gigabit Ethernet (8X1GE) + 1-port 10 Gigabit Ethernet (1X10GE)	Swapping is allowed within Ethernet interface modules
8-port 10 Gigabit Ethernet Interface Module (8X10GE)	
1-port 100 Gigabit Ethernet Interface Module (1X100GE)	
2-port 100 Gigabit Ethernet (QSFP) Interface Module (2X100GE) ³	
2-port 40 Gigabit Ethernet QSFP Interface Module (2X40GE)	
8/16-port 1 Gigabit Ethernet (SFP/SFP) + 1-port 10 Gigabit Ethernet (SFP+) / 2-port 1 Gigabit Ethernet (CSFP) Interface Module	
1-port OC48 ⁴ / STM-16 or 4-port OC-12/OC-3 / STM-1/STM-4 + 12-port T1/E1 + 4-Port T3/E3 CEM Interface Module	

Interface Modules	NCS4216-RSP/Cisco IOS XE Release
1-port OC-192 Interface Module with 8-port Low Rate CEM Interface Module (10G HO / 10G LO)	Swapping is allowed within TDM interface modules
48-port T1/E1 Interface Module	
48-port T3/E3 Interface Module	

³ IM supports only one port of 100G with RSP3 as QSFP28 on Port 0 in both slots 7 and 8.

⁴ Any of the 4 ports can be used as an OC48, but if a port is configured as OC48, then the remaining 3 ports are disabled.

When you remove or insert a redundant module while the router is powered on and running, the router does the following:

1. Determines if there is sufficient power for the module.
2. Scans the backplane for configuration changes.
3. Initializes the newly inserted module. In addition, the system notes any removed modules and places those modules in the administratively shutdown state.
4. Places any previously configured interfaces on the module back to the state they were in when they were removed.

The router runs diagnostic tests on any new interfaces and the test results indicate the following:

- If the tests pass, the router is operating normally.
- If the new module is faulty, the router resumes normal operation but leaves the new interfaces disabled.
- If the diagnostic tests fail, the router stops operating, which usually indicates that the new module has a problem in the bus and must be removed.



Caution

To avoid erroneous failure messages, note the current configuration of all interfaces before you remove or replace an interface module, and allow at least 2 minutes for the system to reinitialize after a module has been removed or replaced. This time is recommended in order to allow for synchronization between components within the interface module and for synchronization with the standby RSP.

Installing the Power Supply

Category	Details
----------	---------

Tools/Equipment	<ul style="list-style-type: none"> • #2 Phillips Dynamometric screwdriver • Medium slot-head screwdriver • Small slot-head screwdriver • Wire wrapper • Wire cutters • Wire strippers • Crimp tool • Open-end wrench or hex tube screw driver • Torque wrench • 1/4" socket wrench • Sockets • Manufacturer's die for power lug • Fuse panel • Power cable (from fuse and alarm panel to assembly), 6 AWG, copper conductors, 194° F (90° C) • Suitable ground cable stranded
Prerequisite Procedures	Chassis is grounded
Required/As Needed	Required
Onsite/Remote	Onsite
Security Level	None

The Cisco NCS 4216 14RU router provides a choice of the following power supply:

- 900 W DC power: - 40 VDC to -72 VDC



Note The power on voltage is -42 VDC.

The DC power supply provides option to connect with two different sources (dual feed); positive (+) and negative (-) are marked on the PSU terminals.



Caution The power supply must be wired before plugging the power supply in the chassis. Ensure the branch circuit breaker is turned off. Only after installing the power supply in the chassis, should the branch circuit breaker be turned on. The branch circuit breaker must be turned off before unplugging the power supply.

Each power supply provides a dual primary input power connection.



Warning Read the installation instructions before connecting the system to the power source. Statement 10



Caution Do not use interface module and power supply ejector handles to lift the chassis; using the handles to lift the chassis can deform or damage the handles.

Preventing Power Loss

Use the following guidelines to prevent power loss to the router.

- To prevent loss of input power, ensure that the total maximum load on each circuit supplying the power supplies is within the current ratings of the wiring and breakers.
- In some systems, you can use an UPS to protect against power failures at your site. Avoid UPS types that use ferroresonant technology. These UPS types can become unstable with systems like the Cisco NCS 4216 14RU, which can have substantial current draw fluctuations due to bursty data traffic patterns.

Use the information in the [Power Supply Features](#) table to estimate the power requirements and heat dissipation of a Cisco NCS 4216 14RU based on a given configuration of the router. Determining power requirements is useful for planning the power distribution system to support the router.

Power Connection Guidelines

This section provides guidelines for connecting the Cisco NCS 4216 14RU power supplies to the site power source.

**Warning**

Never defeat the ground conductor or operate the equipment in the absence of a suitably installed ground conductor. Contact the appropriate electrical inspection authority or an electrician if you are uncertain that suitable grounding is available. Statement 213

**Warning**

This product requires short-circuit (overcurrent) protection, to be provided as part of the building installation. Install only in accordance with national and local wiring regulations. Statement 1045

Guidelines for DC-Powered Systems

Basic guidelines for DC-powered systems include the following:

- Each chassis power supply should have its own dedicated input power source. The source must comply with the safety extra-low voltage (SELV) requirements in the UL 60950, CSA 60950, EN 60950, and IEC 60950 standards.
- The circuit must be protected by a dedicated two-pole circuit breaker. The circuit breaker should be sized according to the power supply input rating and local or national code requirements.
- The circuit breaker is considered the disconnect device and should be easily accessible.
- The system ground is the power supply and chassis ground.
- Do not connect the DC return wire to the system frame or to the system grounding equipment.
- Use the grounding lug to attach a wrist strap for ESD protection during servicing.

Installing the DC Power Supply

The sections describe how to install a DC power supply in the Cisco NCS 4216 14RU:



Note If the voltage feed is less than 15 V then the system will report it as 0 V.



Note This equipment is suitable for installation in Network Telecommunications Facilities and locations where the NEC applies.



Note This equipment is suitable for installations utilizing the Common Bonding Network (CBN).



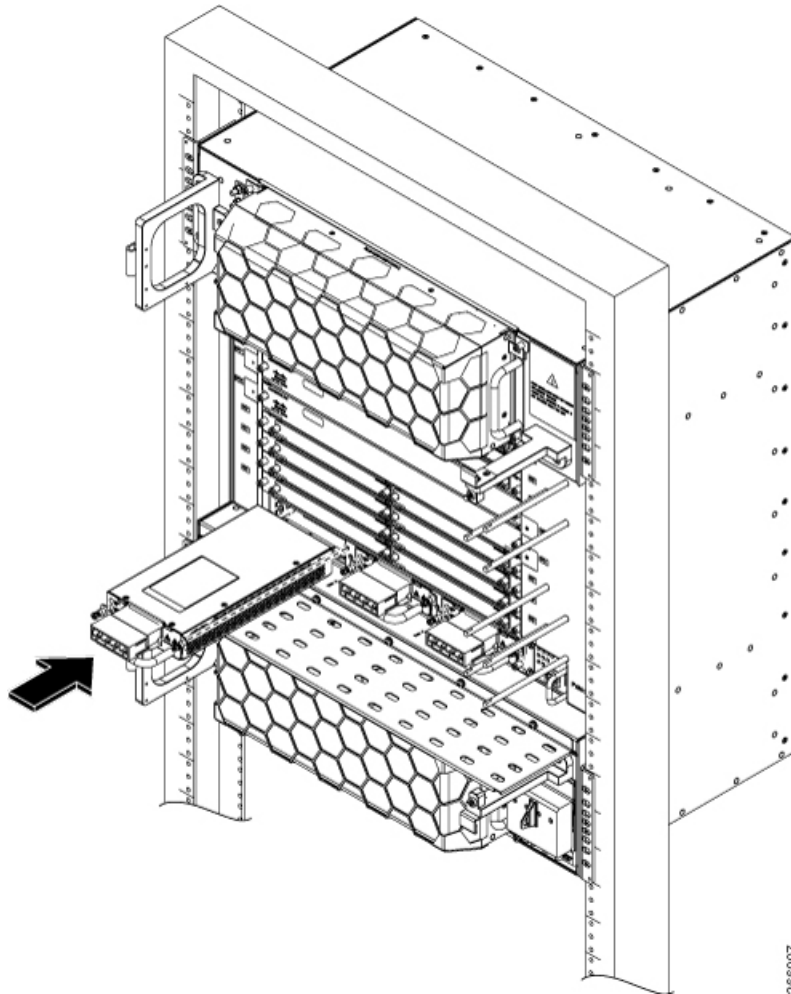
Note The grounding architecture of this product is DC-Isolated (DC-I) for DC-powered products. DC-powered products have a nominal operating DC voltage of 48 VDC.

Installing the DC Power Supply Module

Perform the following procedure to install the power supply module:

-
- Step 1** Ensure that the system (earth) ground connection has been made. For ground connection installation instructions, see the [Installing the Chassis Ground Connection](#) section.
 - Step 2** If necessary, remove the blank power supply filler plate from the chassis power supply bay opening by loosening the captive installation screws.
 - Step 3** Verify that power to the DC circuit connected to the power supply you are installing is off. To ensure that power has been removed from the DC circuits, locate the circuit breakers for the DC circuits, switch the circuit breakers to the OFF position, and tape the circuit-breaker switches in the OFF position.
 - Step 4** Grasp the power supply handle with one hand. Place your other hand underneath the power supply, as shown in the figure below. Slide the power supply into the power supply bay. Make sure that the power supply is fully seated in the bay.

Figure 43: Installing the DC Power Supply



- Step 5** Tighten the captive installation screws of the power supply. The recommended maximum torque is 5.5 in.-lb (.62 N-m). If you are installing a redundant DC power supply, repeat these steps for the second power source.

Connecting DC Power Supply Unit (A900-PWR900-D2)

A900-PWR900-D2 is a dual feed 900W DC PSU. The DC power supply accepts a dual-hole type lug. The lug must be a UL listed, CSA certified and rated to accept the 8 AWG cable. The lug is assembled on the unit with two nuts.



Warning Before performing any of the following procedures, ensure that power is removed from the DC circuit.

Tools and Equipment

- Dual-hole lugs

- Double barrel with inspection hole
 - Hole spacing is 5/8 in.
 - Lug tab width max 0.46 in.
 - Nuts
 - PSU can accommodate 10 – 6 AWG
 - Number 2 Phillips Screwdriver
 - 7 mm nut driver or 7 mm socket on a torque wrench
-

Step 1 Locate the terminal block on the power supply unit.

Step 2 Flap open the front protective cover on the power supply unit.

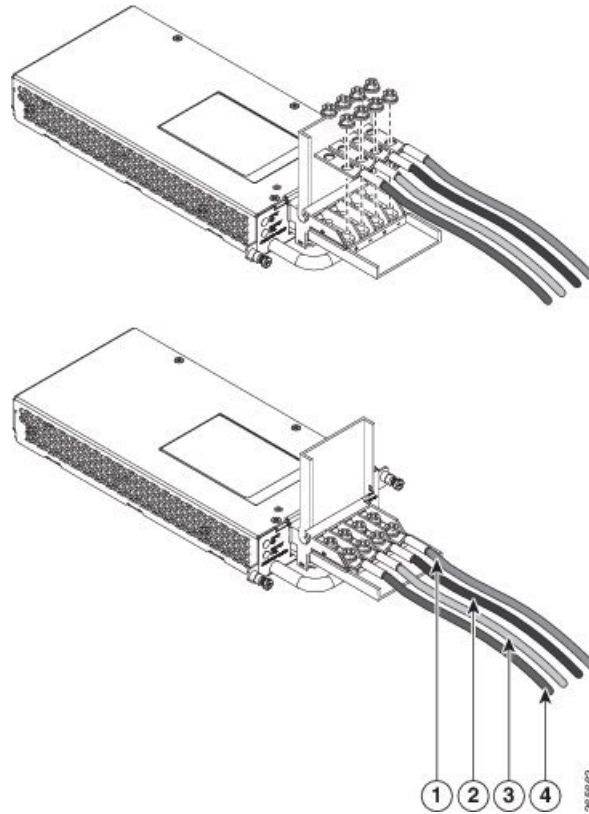
Step 3 Use a wire-stripping tool to strip the ends of each of the two wires coming from the DC-input power source as recommended by the lug manufacturer.

Note Stripping more than the recommended amount of wire can leave behind exposed wire from the terminal block after installation.

Step 4 Identify the positive and negative feed positions for the terminal block. The recommended wiring sequence is as in the figure below.

Step 5 Attach the lugs on the terminal block, see the figure below.

Figure 44: Power Supply with Lead Wires



1, 3	Negative (-) lead wire	2, 4	Positive (+) lead wire
---------	------------------------	---------	------------------------

Caution Do not overtorque the fasteners of the terminal block. The recommended maximum torque is from 25 in.-lb (2.82 N-m).

Step 6 Use a tie wrap to secure the wires to the rack, so that the wires are not pulled from the terminal block by casual contact. Make sure the tie wrap allows for some slack in the wire.

Installing DC Power Feeds for Fan Tray



Caution Cisco NCS 4216 14RU relies on the protective devices in the building installation to protect against short circuit, overcurrent, and ground faults. Ensure that the protective devices are properly rated and comply with national and local codes.



Note Follow your local practices and requirements when installing power.

Perform the following procedure to install the power feeds.



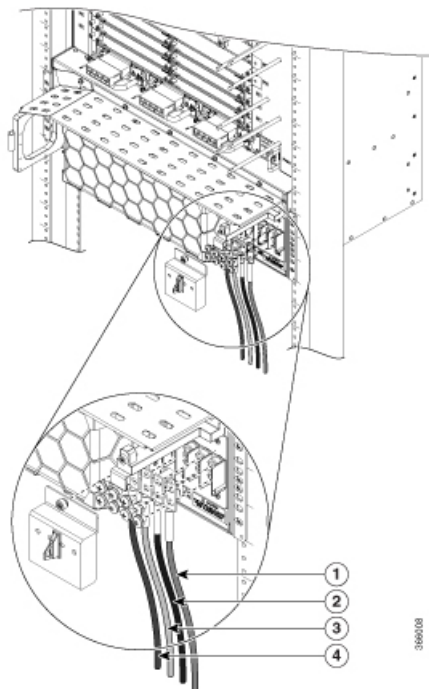
Note Ensure that power to DC circuit connected to the power supply you are about to install is switched off. To verify, locate the circuit breakers for the DC circuits, put the circuit breakers to the OFF position, and tape the circuit-breaker switches.



Note Replace the fan tray only when both fan power feeds are active; violation may result in immediate shut down of the entire system.

- Step 1** Verify that the correct fuse and alarm panel are installed.
- Step 2** Connect each distribution cable according to the fuse panel engineering specifications.
- Step 3** Measure and cut the cables as required to reach the router from the fuse panel.
- Step 4** Strip 1/2 inch (12.7 mm) of insulation from all power cables that you use.
- Step 5** Crimp the lugs onto the ends of all the power distribution cables using the manufacturer's suggested die for the lug.
- Step 6** Remove the terminal block protective covers from the power distribution lugs.

Figure 45: Connecting DC Power Feeds



1, 3	Positive (+) lead wire	2, 4	Negative (-) lead wire
1, 2	Feed A	3, 4	Feed B

- Step 7** Unscrew the nuts from the terminal block.
- Step 8** Insert the lugs as shown in the figure above. Follow the fuse assignments to ensure the correct cabling of the battery and return to the shelf.
- Note** The power lugs must be crimped horizontally with the power cables.
- Step 9** Insert the lock washers and nuts to the terminal block (see the figure above). Tighten the nuts to a torque value of 20 in-lb (2.25 N-m).
- Step 10** Reinstall the terminal block protective covers over the DC distribution lugs.
-

Activating the DC Power Supply

Perform the following procedure to activate the DC power supply:

- Step 1** Remove the tape from the circuit-breaker switch handle, and restore power by moving the circuit-breaker switch handle to the On (I) position.
- Step 2** Verify power supply operation by checking if the power supply front panel LEDs are in the following states:
- INPUT OK LED is green
 - OUTPUT FAIL LED is red

If the LEDs indicate a power problem, see the [Troubleshooting](#) section.

If you are installing a redundant DC power supply, ensure that each power supply is connected to a separate power source to prevent power loss during a power failure.

If you are installing a redundant DC power supply, repeat these steps for the second power source.

Activating the DC Power Supply for Fan Tray

Perform the following procedure to activate the DC power supply for the fan tray:

- Step 1** Remove the tape from the circuit-breaker switch handle, and restore power by moving the circuit-breaker switch handle to the On (I) position.
- Step 2** Verify power supply operation by checking for the 48 V LED in the PSU fan tray:
- INPUT OK LED is green
 - INPUT FAIL LED is red

If the LEDs indicate a power problem, see the [Troubleshooting](#) section.

Recommended Power Sequence

For the system to boot properly, we recommend you to power on the fan tray, followed by the chassis. If this sequence is not followed, the system goes for a power cycle and starts booting only after 2 minutes.



Note The PSU fan tray LED remains red until the system boots.

Removing and Replacing the DC Power Supply

This section provides information about removing and replacing the DC power supply in the Cisco NCS 4216 14RU.



Note The Cisco NCS 4216 14RU power supplies are hot-swappable. If you have installed redundant power supply modules, you can replace a single power supply without interrupting power to the router.



Caution To avoid erroneous failure messages, allow at least 2 minutes for the system to reinitialize after a power supply has been removed or replaced.



Warning When you install the unit, the ground connection must always be made first and disconnected last. Statement 1046



Warning Before performing any of the following procedures, ensure that power is removed from the DC circuit. Statement 1003



Warning Only trained and qualified personnel should be allowed to install, replace, or service this equipment. Statement 1030



Warning Installation of the equipment must comply with local and national electrical codes. Statement 1074

Follow these steps to remove and replace the DC power supply on the Cisco NCS 4216 14RU:

-
- Step 1** Before servicing the power supply, switch off the circuit breaker in your equipment area. As an additional precaution, tape the circuit-breaker switch in the Off position.
 - Step 2** Slip on the ESD-preventive wrist strap that was included in the accessory kit.
 - Step 3** Switch the power supply circuit-breaker switch to the Off (O) position.
 - Step 4** Pull the terminal block plug connector out of the terminal block head in the power supply.
 - Step 5** Loosen the captive screws on the DC power supply.

- Step 6** Grasping the power supply handle with one hand, pull the power supply out from the chassis while supporting it with the other hand.
- Step 7** Replace the DC power supply within 5 minutes. If the power supply bay is to remain empty, install a blank filler plate (Cisco part number A900-PWR-BLANK) over the opening, and secure it with the captive installation screws.
-

Connecting the Cisco NCS 4216 14RU Router to the Network

The sections describe how to connect cables on the Cisco NCS 4216 14RU.



Note When installing the cabling to the RSPs, we recommend that you leave a service loop of extra cabling sufficient to allow for fan tray removal.

Connecting Console Cables

The sections describe how to connect to the Cisco NCS 4216 14RU using console cables.



Note You cannot use the USB and RS232 console ports at the same time; if you insert the USB cable into the router, the RS232 port is disabled.

Connecting to the Serial Port using Microsoft Windows

This procedure shows how to connect to the serial port using Microsoft Windows.



Note Install the USB device driver before establishing a physical connection between the router and the PC, by using the USB Console cable plugged into the USB serial port. Otherwise, the connection will fail. For more information, see the [Installing the Cisco Microsoft Windows USB Device Driver](#) section.

- Step 1** Connect the end of the console cable with the RJ45 connector to the light blue console port on the router. or Connect a USB Type A-to-Type A cable to the USB console port as shown in the figure below. If you are using the USB serial port for the first time on a Windows-based PC, install the USB driver now according to the instructions in the following sections.

- *Installing the Cisco Microsoft Windows XP USB Driver* section
- *Installing the Cisco Microsoft Windows 2000 USB Driver* section
- *Installing the Cisco Microsoft Windows Vista USB Driver* section

Note You cannot use the USB port and the EIA port concurrently. See the *Connecting to the Auxiliary Port* section. When the USB port is used it takes priority over the RJ45 EIA port.

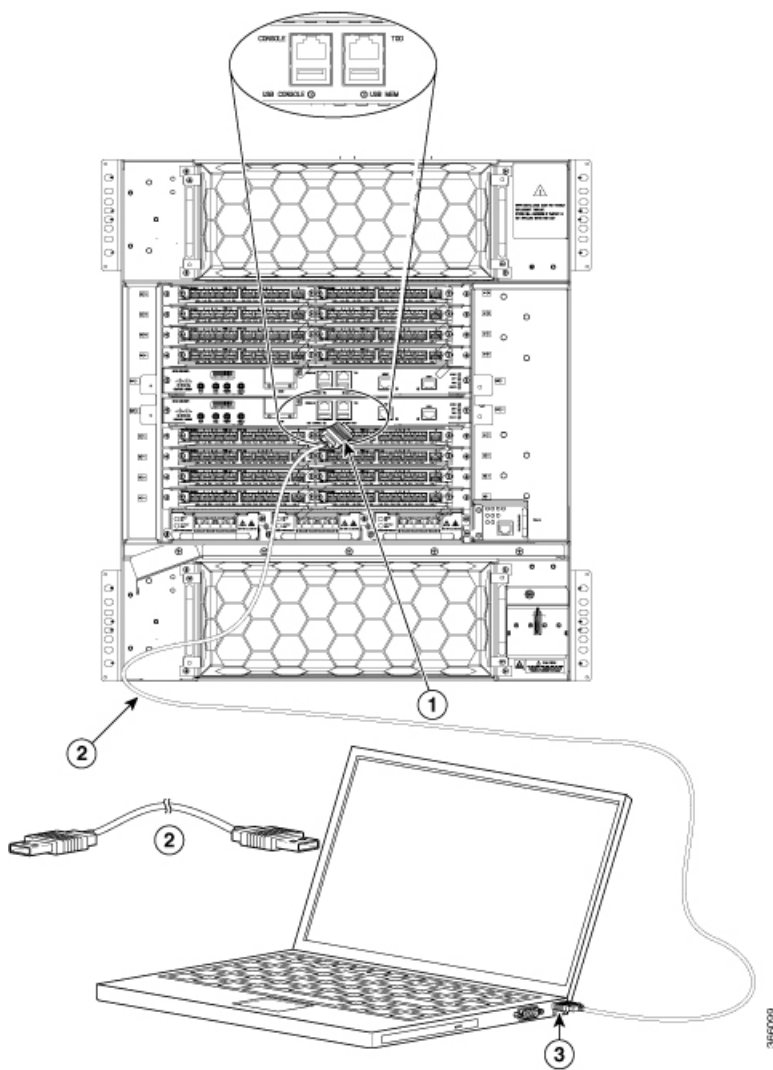
Note The USB Type A-to-Type A cable is not included with the Cisco NCS 4216 14RU; it is ordered separately.

Step 2 Connect the end of the cable with the DB-9 connector (or USB Type-A) to the terminal or PC. If your terminal or PC has a console port that does not accommodate a DB-9 connector, you must provide an appropriate adapter for that port.

Step 3 To communicate with the router, start a terminal emulator application, such as Microsoft Windows HyperTerminal. This software should be configured with the following parameters:

- 9600 baud
- 8 data bits
- no parity
- 1 stop-bit
- no flow control

Figure 46: Connecting the USB Console Cable to the Cisco NCS 4216 14RU



1	USB Type-A console port	2	USB 5-pin mini USB Type-B to USB Type-A console cable
---	-------------------------	---	---

3	USB Type-A	—	—
---	------------	---	---

Connecting to the Console Port using Mac OS X

This procedure describes how to connect a Mac OS X system USB port to the console using the built in OS X Terminal utility.

Step 1 Use the Finder to go to **Applications > Utilities > Terminal**.

Step 2 Connect the OS X USB port to the router.

Step 3 Enter the following commands to find the OS X USB port number:

Example:

```
macbook:user$ cd /dev
macbook:user$ ls -ltr /dev/*usb*
crw-rw-rw- 1 root  wheel          9,  66 Apr  1 16:46 tty.usbmodem1a21 DT-macbook:dev user$
```

Step 4 Connect to the USB port with the following command followed by the router USB port speed

Example:

```
macbook:user$ screen /dev/tty.usbmodem1a21 9600
```

To disconnect the OS X USB console from the Terminal window

Enter Ctrl-a followed by Ctrl-\

Connecting to the Console Port using Linux

This procedure shows how to connect a Linux system USB port to the console using the built in Linux Terminal utility.

Step 1 Open the Linux Terminal window.

Step 2 Connect the Linux USB port to the router.

Step 3 Enter the following commands to find the Linux USB port number:

Example:

```
root@usb-suse# cd /dev
root@usb-suse /dev# ls -ltr *ACM*
crw-r--r-- 1 root  root    188,  0 Jan 14 18:02 ttyACM0
root@usb-suse /dev#
```

Step 4 Connect to the USB port with the following command followed by the router USB port speed:

Example:

```
root@usb-suse /dev# screen /dev/ttyACM0 9600
```

To disconnect the Linux USB console from the Terminal window

Enter Ctrl-a followed by : then quit

Installing the Cisco Microsoft Windows USB Device Driver

A USB device driver must be installed the first time a Microsoft Windows-based PC is connected to the USB serial port on the router.

Installing the Cisco Microsoft Windows XP USB Driver

Download the driver for your router model from the Tools and Resources Download Software site, USB Console Software category, at the following URL:

<https://www.cisco.com/c/en/us/support/index.html>

- Step 1** Unzip the file Cisco_usbconsole_driver_X_X.zip (where X is a revision number).
- Step 2** If using 32-bit Windows XP double-click the file setup.exe from the Windows_32 folder, or if using 64-bit Windows XP double-click the file setup(x64).exe from the Windows_64 folder.
- Step 3** Follow the instructions on your screen to complete the installation.
- Step 4** Connect the USB cable to the PC and router USB console ports. The EN LED for the USB console port turns green, and within a few moments the Found New Hardware Wizard appears. Following the instructions to complete the installation of the driver.

The USB console is ready for use.

Installing the Cisco Microsoft Windows 2000 USB Driver

- Step 1** Obtain the file Cisco_usbconsole_driver.zip from the Cisco.com web site and unzip it.
- Step 2** Double-click the file setup.exe.
- Step 3** Follow the instructions on your screen to complete the installation.
- Step 4** Connect the USB cable to the PC and router USB console ports. The EN LED for the USB console port turns green, and within a few moments a series of Found New Hardware Wizard windows appear. Following the instructions to complete the installation of the driver.

The USB console is ready for use.

Installing the Cisco Microsoft Windows Vista USB Driver

- Step 1** Obtain the file Cisco_usbconsole_driver.zip from the Cisco.com web site and unzip it.
- Step 2** If using 32-bit Windows Vista double-click the file setup.exe from the Windows_32 folder, or if using 64-bit Windows Vista double-click the file setup(x64).exe from the Windows_64 folder.
- Step 3** Follow the instructions on your screen to complete the installation.

Step 4 Connect the USB cable to the PC and router USB console ports. The EN LED for the USB console port turns green, and within a few moments a pop up window stating “Installing device driver software” appears. Following the instructions to complete the installation of the driver.

The USB console is ready for use.

Uninstalling the Cisco Microsoft Windows USB Driver

This section provides instructions for how to uninstall the Cisco Microsoft Windows USB device driver.

Uninstalling the Cisco Microsoft Windows XP and 2000 USB Driver

This procedure shows you how to uninstall both the Microsoft Windows XP and 2000 USB driver. The driver can be removed using the Windows Add Remove Programs utility or the setup.exe program.

Using the Add Remove Programs Utility



Note Disconnect the router console terminal before uninstalling the driver.

Step 1 Click **Start > Control Panel > Add or Remove Programs**.

Step 2 Scroll to Cisco Virtual Com and click **Remove**.

Step 3 When the Program Maintenance window appears, select the **Remove** radio button. Click **Next**.

Uninstalling the Cisco Microsoft Windows Vista USB Driver

This procedure shows you how to uninstall the Microsoft Windows Vista USB driver.



Note Disconnect the router console terminal before uninstalling the driver.

Step 1 Run the setup.exe for Windows 32-bit or setup(x64).exe for Windows-64bit. Click **Next**.

Step 2 The InstallShield Wizard for Cisco Virtual Com appears. Click **Next**.

Step 3 When the Program Maintenance window appears, select the Remove radio button. Click **Next**.

Step 4 When the Remove the Program window appears, click **Remove**.

Note If a User Account Control warning appears, click “Allow - I trust this program...” to proceed.

Step 5 When the InstallShield Wizard Completed window appears click **Finish**.

Connecting to the Auxiliary Port

When a modem is connected to the auxiliary port, a remote user can dial in to the router and configure it. Use a light blue console cable and the DB-9-to-DB-25 connector adapter.

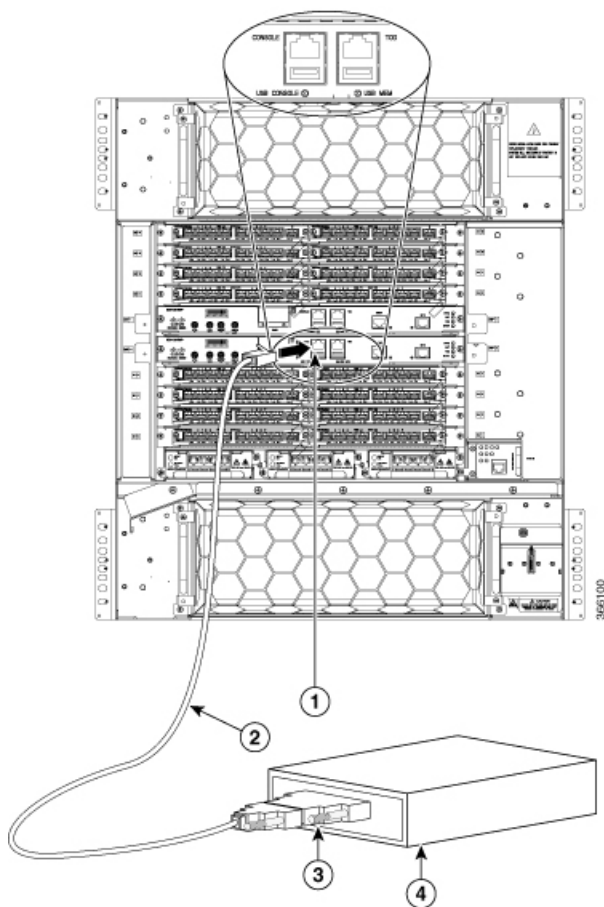


Note The console cable and DB-9-to-DB-25 connector are not included with the Cisco NCS 4216 14RU; they are ordered separately.

To connect a modem to the router, follow these steps:

Step 1 Connect the RJ45 end of the adapter cable to the black AUX port on the router, as shown in the figure below.

Figure 47: Connecting a Modem to the Cisco NCS 4216 14RU



1	RJ45 AUX port	3	RJ45 to DB-9
2	DB-9 to DB-25 adapter	4	Modem

Step 2 Connect the DB-9 end of the console cable to the DB-9 end of the modem adapter.

- Step 3** Connect the DB-25 end of the modem adapter to the modem.
- Step 4** Make sure that your modem and the router auxiliary port are configured for the same transmission speed (up to 115200 bps is supported) and for mode control with data carrier detect (DCD) and data terminal ready (DTR) operations.
-

Connecting a Management Ethernet Cable

When using the Ethernet Management port in the default mode (speed-auto and duplex-auto) the port operates in auto-MDI/MDI-X mode. The port automatically provides the correct signal connectivity through the Auto-MDI/MDI-X feature. The port automatically senses a crossover or straight-through cable and adapts to it.

However, when the Ethernet Management port is configured to a fixed speed (10 or 100 Mbps) through command-line interface (CLI) commands, the port is forced to MDI mode.

When in a fixed-speed configuration and MDI mode:

- Use a crossover cable to connect to an MDI port
- Use a straight-through cable to connect to an MDI-X port



Warning

To comply with the Telcordia GR-1089 NEBS standard for electromagnetic compatibility and safety, connect the Management Ethernet ports only to intra-building or unexposed wiring or cable. The intrabuilding cable must be shielded and the shield must be grounded at both ends. The intra-building port(s) of the equipment or subassembly must not be metallicly connected to interfaces that connect to the OSP or its wiring. These interfaces are designed for use as intra-building interfaces only (Type 2 or Type 4 ports as described in GR-1089-CORE) and require isolation from the exposed OSP cabling. The addition of Primary Protectors is not sufficient protection in order to connect these interfaces metallicly to OSP wiring.

Installing and Removing SFP

The Cisco NCS 4216 14RU supports a variety of SFP modules, including optical and Ethernet modules. For information on how to install and remove SFP modules, see the documentation for the SFP module at

http://www.cisco.com/en/US/partner/products/hw/modules/ps5455/prod_installation_guides_list.html

For information about inspecting and cleaning fiber-optic connections, see

http://www.cisco.com/en/US/partner/tech/tk482/tk876/technologies_white_paper09186a0080254eba.shtml



Caution

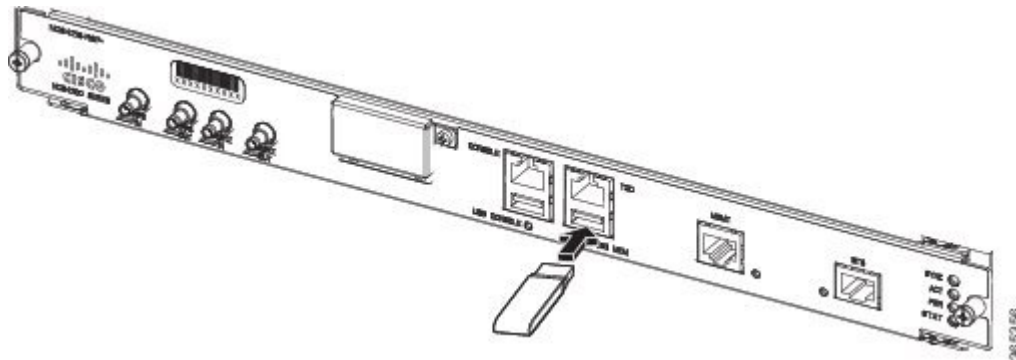
We recommend that you wait 30 seconds between removal and insertion of an SFP on an interface module. This time is recommended to allow the transceiver software to initialize and synchronize with the standby RSP. Changing an SFP more quickly could result in transceiver initialization issues that disable the SFP.

Connecting a USB Flash Device

To connect a USB flash device to the Cisco NCS 4216 14RU, insert the memory stick in the USB port labeled MEM. The Flash memory module can be inserted in only one way, and can be inserted or removed regardless of whether the router is powered up or not.

The following figure shows the USB port connector on the Cisco NCS 4216 14RU.

Figure 48: Cisco NCS 4216 14RU Flash Token Memory Stick



Removing a USB Flash Device

To remove and then replace a USB flash token memory stick from a Cisco NCS 4216 14RU, follow these steps:

-
- Step 1** Pull the memory stick from the USB port.
- Step 2** To replace a Cisco USB Flash memory stick, simply insert the module into the USB port labeled MEM as shown in the *Cisco NCS 4216 14RU Flash Token Memory Stick* figure. The Flash memory module can be inserted in only one way, and can be inserted or removed regardless of whether the router is powered up or not.
- Note** You can insert or remove the memory stick whether the router is powered on or not. This completes the USB Flash memory installation procedure.
-

Connecting Timing Cables

The sections describe how to connect timing cables to the Cisco NCS 4216 14RU:



-
- Note** When installing the cabling to the RSPs, we recommend that you leave a service loop of extra cabling sufficient to allow for fan tray removal.
-

Connecting Cables to the BITS Interface

The following steps describe how to connect a cable to the router BITS port:

-
- Step 1** Confirm that the router is powered off.
- Step 2** Connect one end of the cable to the BITS port using a straight-through, shielded RJ48C-to-RJ48C cable.
- Step 3** Connect the other end to the BTS patch or demarcation panel at your site.
- Step 4** Turn on power to the router.

For information about the BITS port pinouts and using wire wrap adapters to connect to BITS interface, see the [Troubleshooting](#) section.

Note Use of two BITS sources or a Y-cable is optional. Each BITS input port is routed to both RSPs, so that SETS device on each RSP has visibility to both BITS inputs.

Warning To comply with the Telcordia GR-1089 NEBS standard for electromagnetic compatibility and safety, connect the BITS ports only to intra-building or unexposed wiring or cable. The intrabuilding cable must be shielded and the shield must be grounded at both ends. The intra-building port(s) of the equipment or subassembly must not be metallically connected to interfaces that connect to the OSP or its wiring. These interfaces are designed for use as intra-building interfaces only (Type 2 or Type 4 ports as described in GR-1089-CORE) and require isolation from the exposed OSP cabling. The addition of Primary Protectors is not sufficient protection in order to connect these interfaces metallically to OSP wiring.

Connecting Cables to a GNSS Interface

The sections describe how to connect cables from the Cisco NCS 4216 14RU to a GPS unit for input or output timing of frequency:



Note A Y-cable is required to connect to a primary and backup RSP in order to ensure that the router continues to transmit timing signals in the event of a network failure. For a mini-coax connection, this Y-cable can be part number CAB-BNC-7INY (7 inch BNC Y-cable). For an Ethernet connection, this Y-cable can be a RJ45 Cat5 1-to-2 splitter (3 female port RJ45 connector).



Note When installing the cabling to the RSPs, we recommend that you leave a service loop of extra cabling sufficient to allow for fan tray removal.

Connecting Cables to the Input 10Mhz or 1PPS Interface

-
- Step 1** Connect one end of a mini-coax Y-cable to the GPS unit.
 - Step 2** Connect one end of the split-side Y-cable mini-coax to the 10Mhz or 1PPS port on the primary RSP of the Cisco NCS 4216 14RU.
 - Step 3** Connect the other end of the split-side Y-cable mini-coax to the 10Mhz or 1PPS port on the backup RSP of the Cisco NCS 4216 14RU.
-

Connecting Cables to the Output 10Mhz or 1PPS Interface

-
- Step 1** Connect one end of a mini-coax Y-cable to the Slave unit.
 - Step 2** Connect one end of the split-side Y-cable mini-coax to the 10Mhz or 1PPS port on the primary RSP of the Cisco NCS 4216 14RU.

- Step 3** Connect the other end of the split-side Y-cable mini-coax to the 10Mhz or 1PPS port on the backup RSP of the Cisco NCS 4216 14RU.
-

Connecting Cables to the ToD Interface

- Step 1** Connect one end of a straight-through Ethernet cable to the GPS unit.
- Step 2** Connect one end of the split-side Y-cable Ethernet to the ToD port on the primary RSP of the Cisco NCS 4216 14RU.
- Step 3** Connect the other end of the split-side Y-cable Ethernet to the ToD port on the backup RSP of the Cisco NCS 4216 14RU.

Note For instructions on how to configure clocking, see the Cisco NCS 4216 *Software Configuration Guide*.

Warning To comply with the Telcordia GR-1089 NEBS standard for electromagnetic compatibility and safety, connect the ToD ports only to intra-building or unexposed wiring or cable. The intrabuilding cable must be shielded and the shield must be grounded at both ends. The intra-building port(s) of the equipment or subassembly must not be metallicly connected to interfaces that connect to the OSP or its wiring. These interfaces are designed for use as intra-building interfaces only (Type 2 or Type 4 ports as described in GR-1089-CORE) and require isolation from the exposed OSP cabling. The addition of Primary Protectors is not sufficient protection in order to connect these interfaces metallicly to OSP wiring.

Note For more information about GPS port pinouts, see the [Troubleshooting](#) section.

Connecting a Cable to the GNSS Antenna Interface



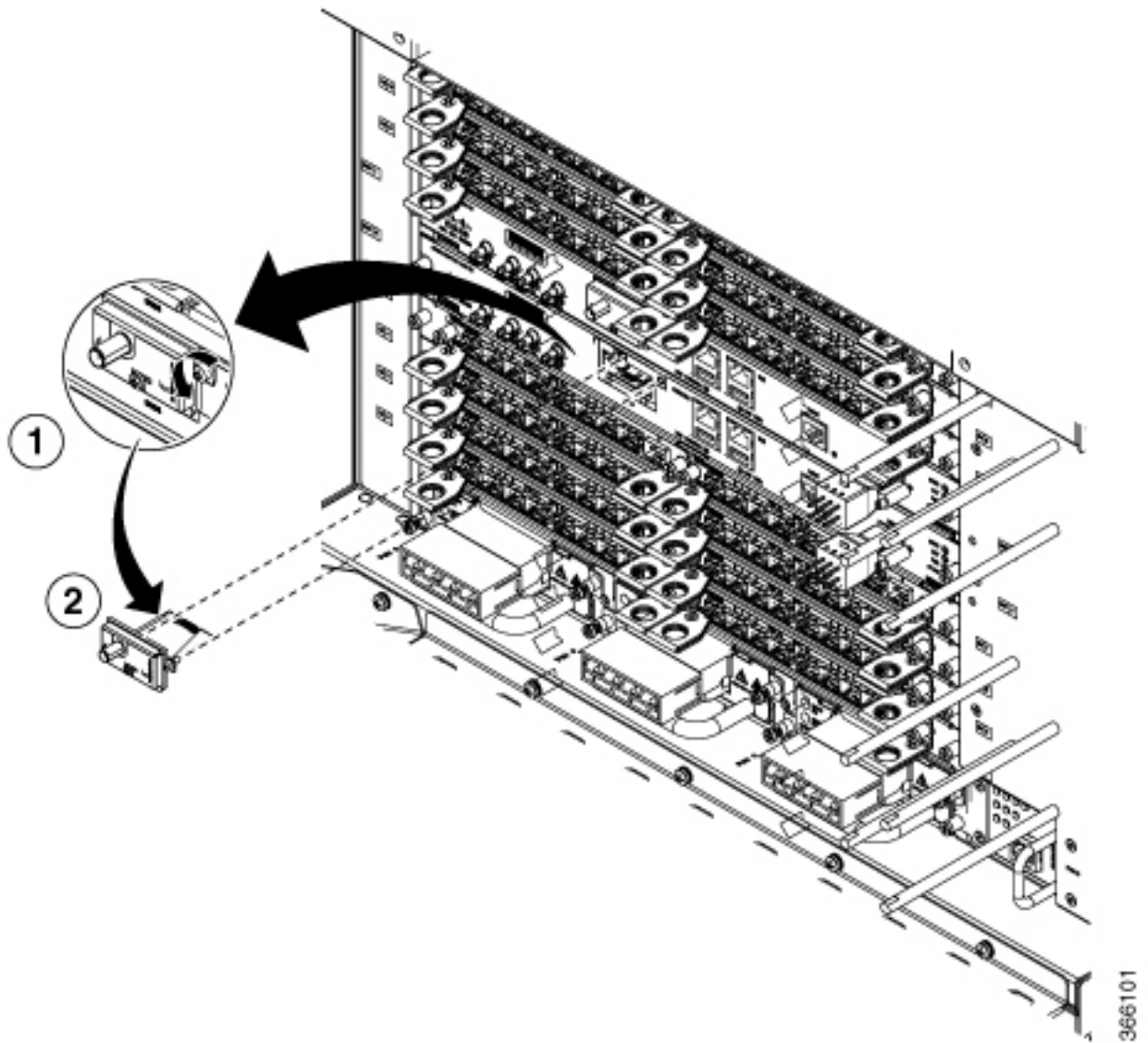
Note The GNSS module is not hot swappable.

- Step 1** Connect one end of a shielded coaxial cable to the GNSS RF IN port.
- Step 2** Connect the other end of the shielded coaxial cable to the GNSS antenna after the primary protector.

Note The GNSS RF In port should have a primary protector installed to meet the Local Safety guidelines.

- The GNSS RF In coaxial cable shield must be connected to the Facility Equipment Ground through the chassis. The chassis must have the ground wire connected to the Facility Equipment Ground.

Figure 49: Installing the GNSS Module in the RSP



1	Screw on the GNSS Module	2	Inserting the GNSS Module
---	--------------------------	---	---------------------------

Connecting Ethernet Cables

The Cisco NCS 4216 14RU interface modules support RJ45 or SFP Ethernet ports. For instructions on how to connect cables to Ethernet SFP ports, see the [Connecting Cables to SFP Modules](#) section.

The RJ45 port supports standard straight-through and crossover Category 5 unshielded twisted-pair (UTP) cables. Cisco Systems does not supply Category 5 UTP cables; these cables are available commercially.

**Warning**

To comply with the Telcordia GR-1089 NEBS standard for electromagnetic compatibility and safety, connect the Gigabit Ethernet ports only to intra-building or unexposed wiring or cable. The intrabuilding cable must be shielded and the shield must be grounded at both ends. The intra-building port(s) of the equipment or subassembly must not be metalically connected to interfaces that connect to the OSP or its wiring. These interfaces are designed for use as intra-building interfaces only (Type 2 or Type 4 ports as described in GR-1089-CORE) and require isolation from the exposed OSP cabling. The addition of Primary Protectors is not sufficient protection in order to connect these interfaces metalically to OSP wiring.

**Note**

When installing the cabling to the RSPs, we recommend that you leave a service loop of extra cabling sufficient to allow for fan tray removal.

Follow these steps to connect the cable to a copper Gigabit Ethernet port:

- Step 1** Confirm that the router is powered off.
- Step 2** Connect one end of the cable to the Gigabit Ethernet port on the router.
- Step 3** Connect the other end to the BTS patch or demarcation panel at your site.

Connecting Cables to SFP Modules

For information on connecting cables to Cisco optical and Ethernet SFP interfaces, see

http://www.cisco.com/en/US/partner/products/hw/modules/ps5455/prod_installation_guides_list.html.

Connecting T1/E1 cables

The physical layer interface for the Cisco NCS 4216 T1/E1 port is a customer-installed high-density connector. The high-density connector has thumbscrews which should be screwed into the interface when the cable is installed.

**Note**

Patch panels are required in order to connect the high-density interface connectors to individual T1/E1 lines.

Installing the Cable Connectors

Patch Panel cables

The patch panel cable connects the interface modules with the patch panel.

Each cable connects one VHDCI connector on the interface module to the connector on the patch panel. A set of three cables is required to connect one interface module to one 48-port patch panel.

The following table shows details of the patch panel cables:

Patch Panel Cable	Description
CABLE-16TDM-C	16-port cable for TDM CEM Interface Module, no redundancy, 6 feet in length
CABLE-16TDM-C-L1	16-port cable for TDM CEM Interface Module, no redundancy, 4.7 feet in length
CABLE-16TDM-C-L2	16-port cable for TDM CEM Interface Module, no redundancy, 5.3 feet in length
CABLE-16TDM-C-L3	16-port cable for TDM CEM Interface Module, no redundancy, 7.1 feet in length
CABLE-16TDM-C-L4	16-port cable for TDM CEM Interface Module, no redundancy, 8 feet in length

Connecting Cables to the Patch Panel

Figure 50: Interface Module with the Connector

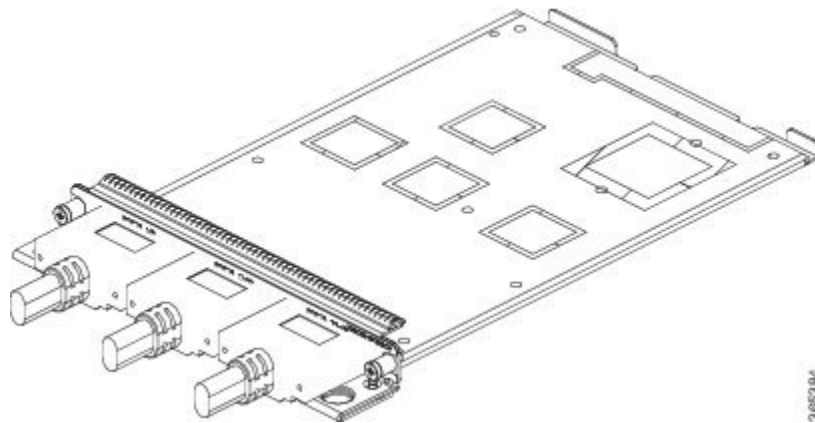
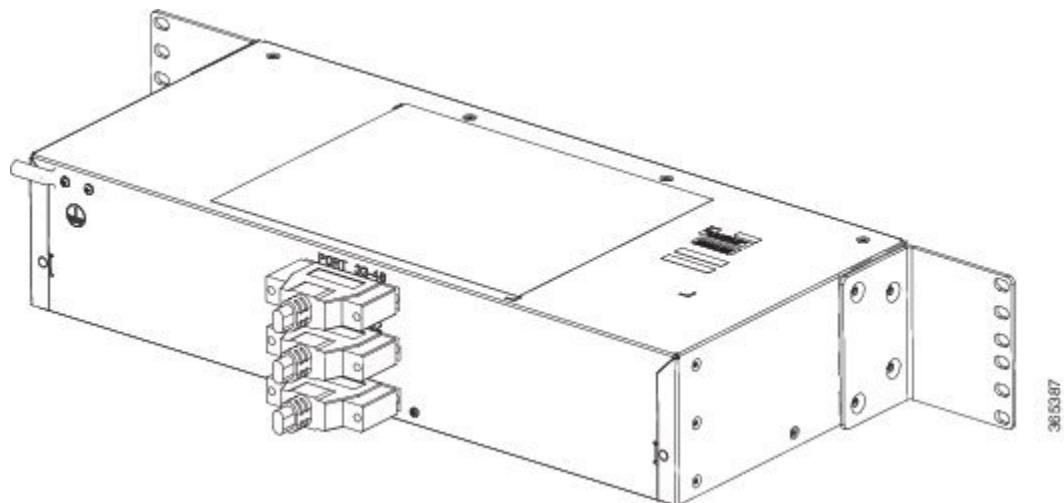


Figure 51: Patch Panel with the Connector



If you are connecting two T1/E1 interfaces to each other, you must cable both interfaces' patch panels together using a T1 straight-through shielded cables. If both T1/E1 interfaces are connected to their patch panels in a different configuration, use a T1 straight-through cable (standard RJ48C patch cable) to connect the patch panels.

**Caution**

The intra-building port(s) of the equipment or subassembly is suitable for connection to intra-building or unexposed wiring or cabling only. The intra-building port(s) of the equipment or subassembly must not be metallically connected to interfaces which connect to the OSP or its wiring. These interfaces are designed for use as intra-building interfaces only (Type 2 or Type 4 ports as described in GR-1089-CORE) and require isolation from the exposed OSP cabling. The addition of primary protectors is not sufficient protection in order to connect these interfaces metallically to OSP wiring. Statement 7005

Patch Panel Connectors

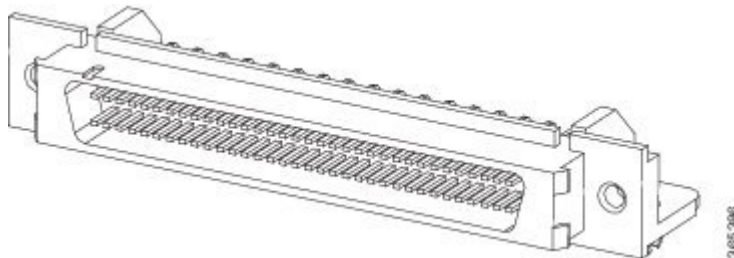
The PANEL-48-1-DIN and PANEL-48-3-DIN provide 48 DIN 1.0/2.3 connectors on the front side of the patch panel. These connectors terminate to 75 ohm coaxial cable through the DIN plug.

The PANEL-48-1-RJ48 provide 48 RJ45 connector on the front side of the patch panel. These connectors terminate to 110 ohm T1/E1 cable through a RJ45 connector.

The PANEL-48-1-AMP64 provide 48 port 110 ohm T1/E1 lines via 4 AMP64 connectors on the front of the patch panel.

The PANEL-48-3-HDBNC Provide 48 HDBNC connectors on the front of the patch panel. These connectors terminate to 75 ohm coaxial cable through the HDBNC plug.

Figure 52: Patch Panel Connector on the Patch Panel

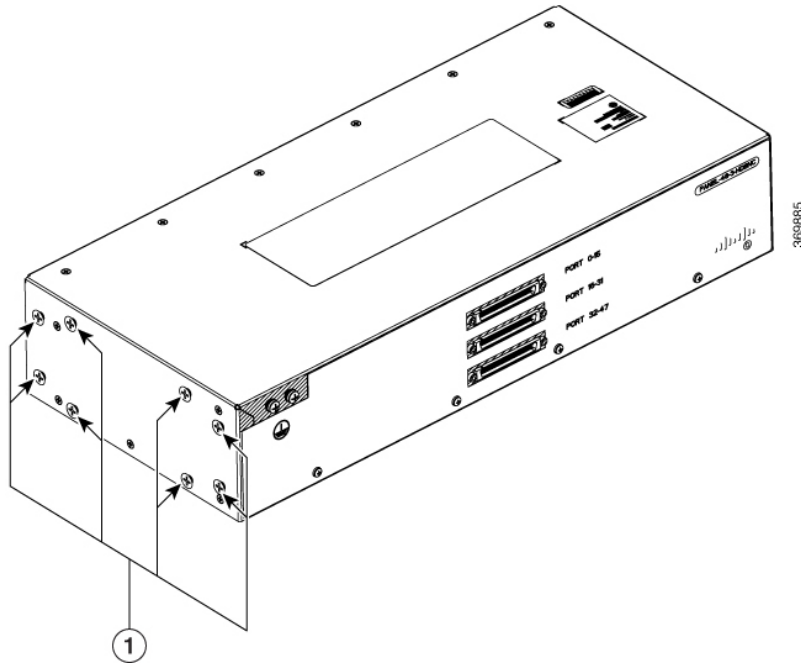


Installing Patch Panel

To install the brackets on the rear of the patch panel, perform these steps:

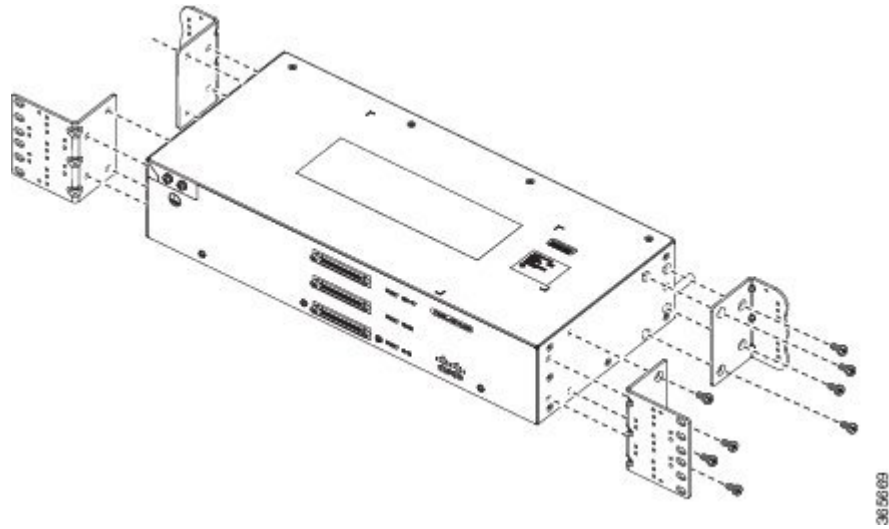
- Step 1** Remove the larger (M4) rack mount screws (as indicated in the *Rack Mount Screws* figure below) from both sides. To secure the brackets, follow the instructions in Step-3.
- Step 2** Remove the patch panel rack-mount brackets from the accessory kit and position them beside the patch panel.
- Step 3** Position the brackets against the patch panel sides, and align with the screw holes. Secure the rack mount bracket to patch panel using a torque of 13.2 in.-lb (1.5 N-m) see the figure below.

Figure 53: Rack Mount Screws



(1) Rack mount screws to secure rack mount brackets on both the sides.

Figure 54: Patch Panel Front View with Brackets



Step 4 Position the cable management guides against the mounting brackets on the patch panel, see the figure below.

Figure 55: Patch Panel Front View with Brackets and Guides

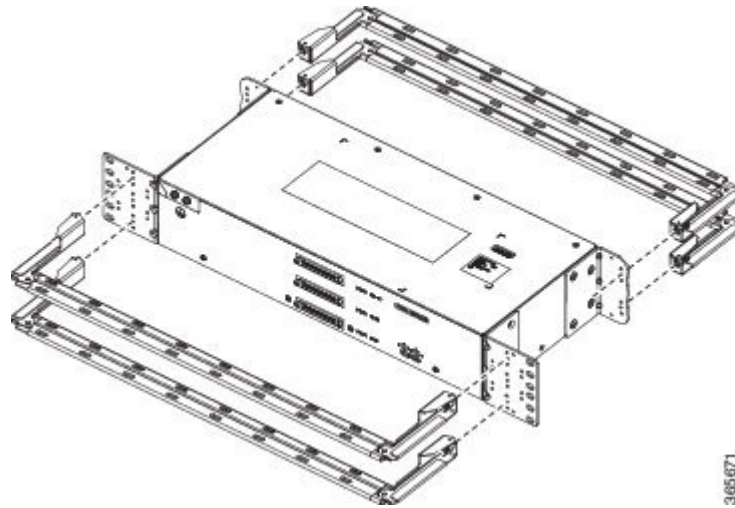
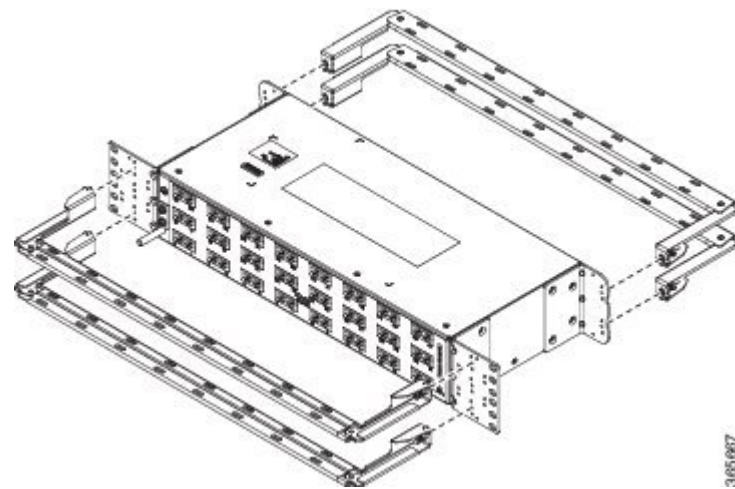


Figure 56: Patch Panel Rear View with Brackets and Guides



- Step 5** Secure the guides to the brackets with the screws. The recommended maximum torque is 28 in.-lb (3.16 N-m).
- Step 6** **Note** Cable brackets should be assembled according to the PID used as different PIDs have different set and quantity of brackets. Refer figures 110 to 115 for PID and cable bracket details.

Position the patch panel with brackets and guide onto the rack and secure with screws provided. The recommended maximum torque is 28 in.-lb (3.16 N-m), see the figure below.

Figure 57: Patch Panel Front View with Brackets and Guides Installed on Rack

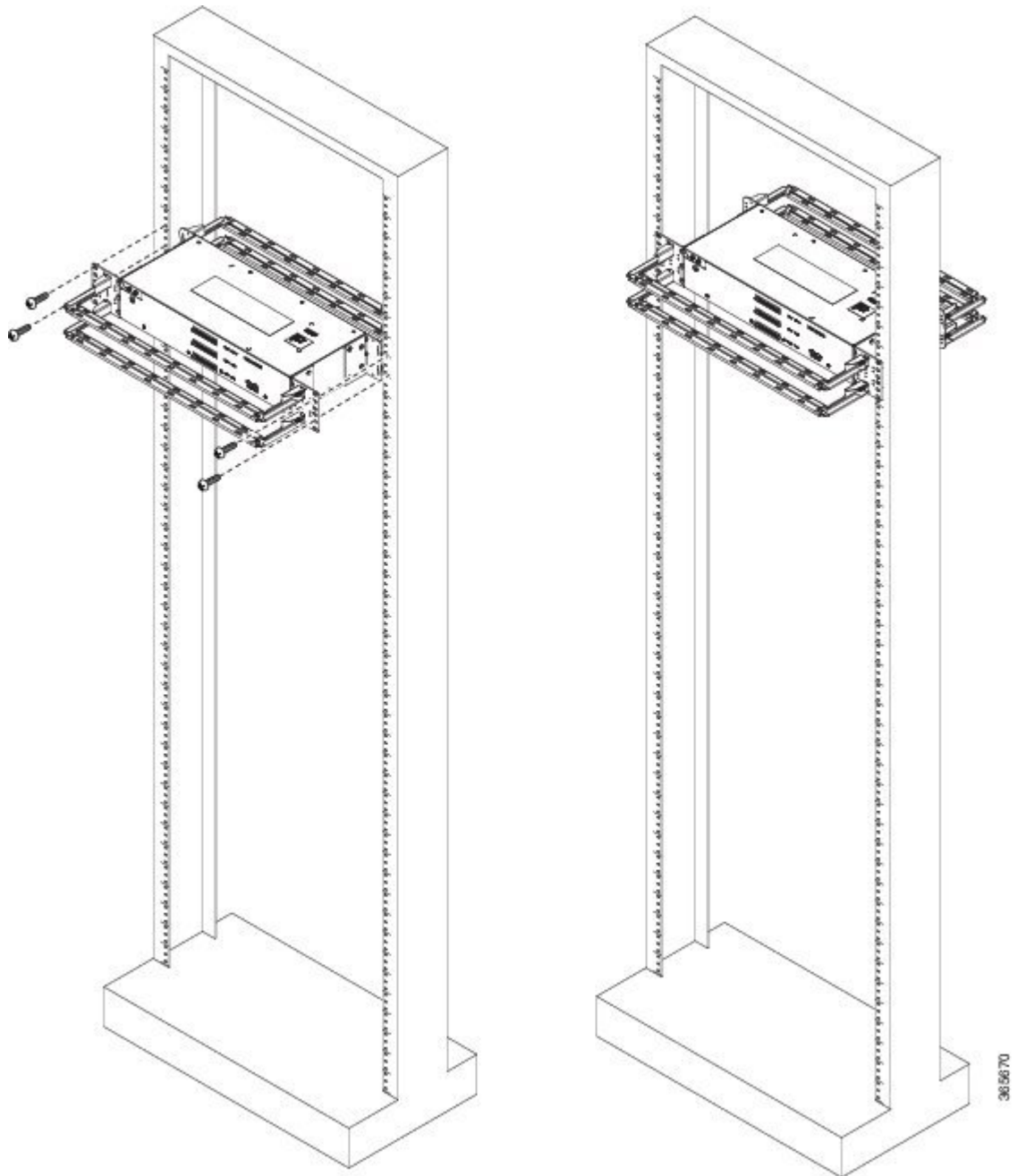


Figure 58: Patch Panel Rear View with Brackets and Guides Installed on Rack

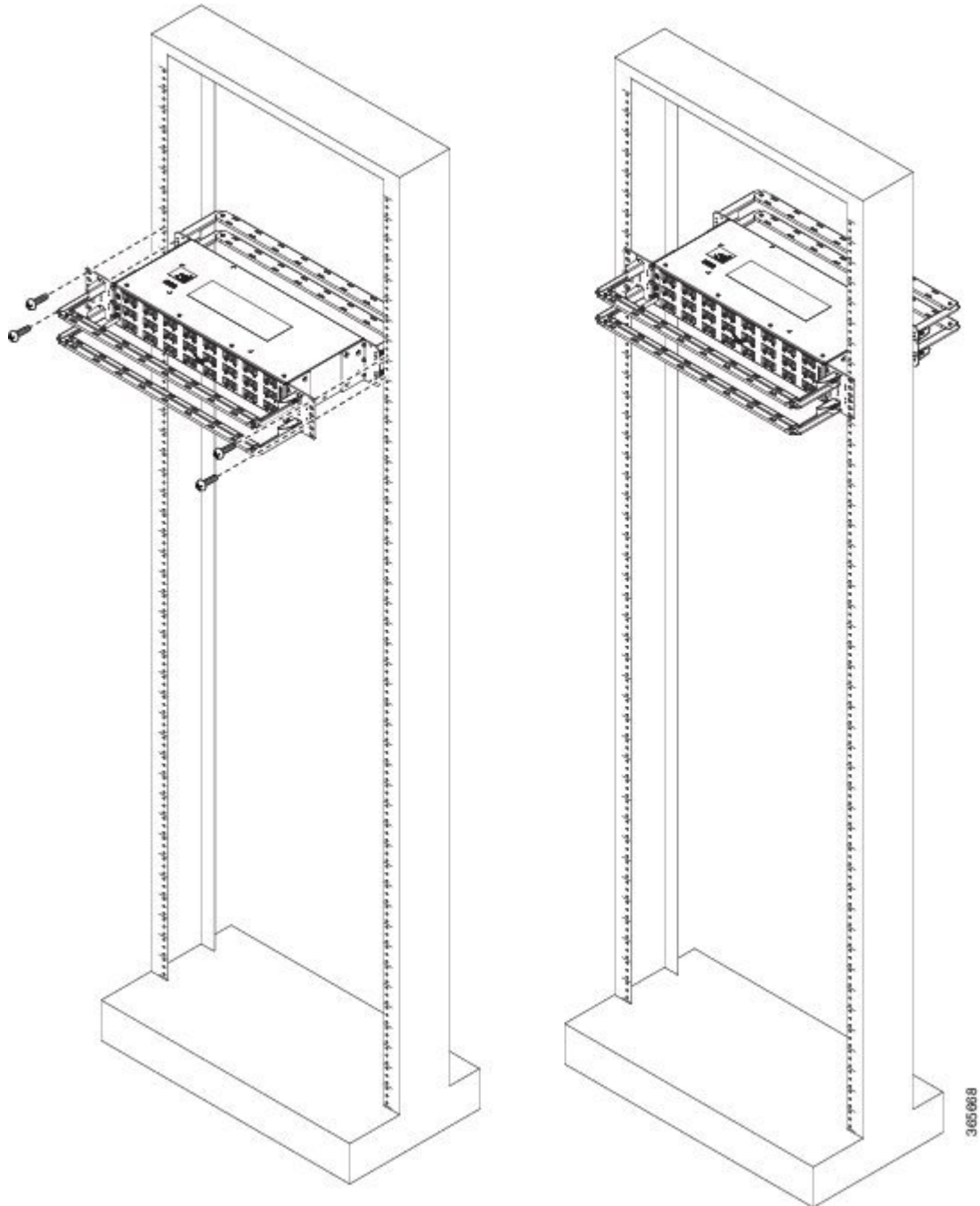


Figure 59: PANEL-16-DIN Patch Panel Mounting Installed on Rack

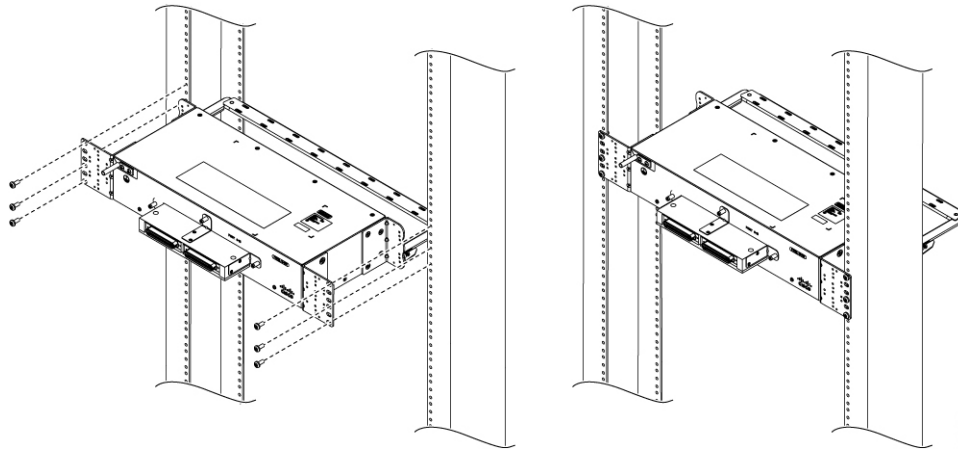


Figure 60: PANEL-48-1-AMP64

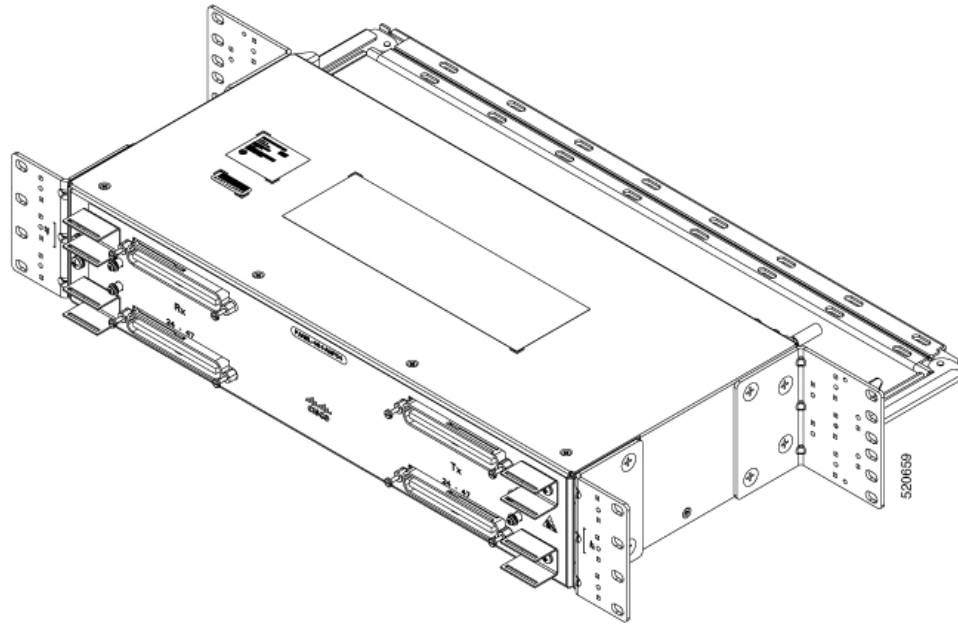
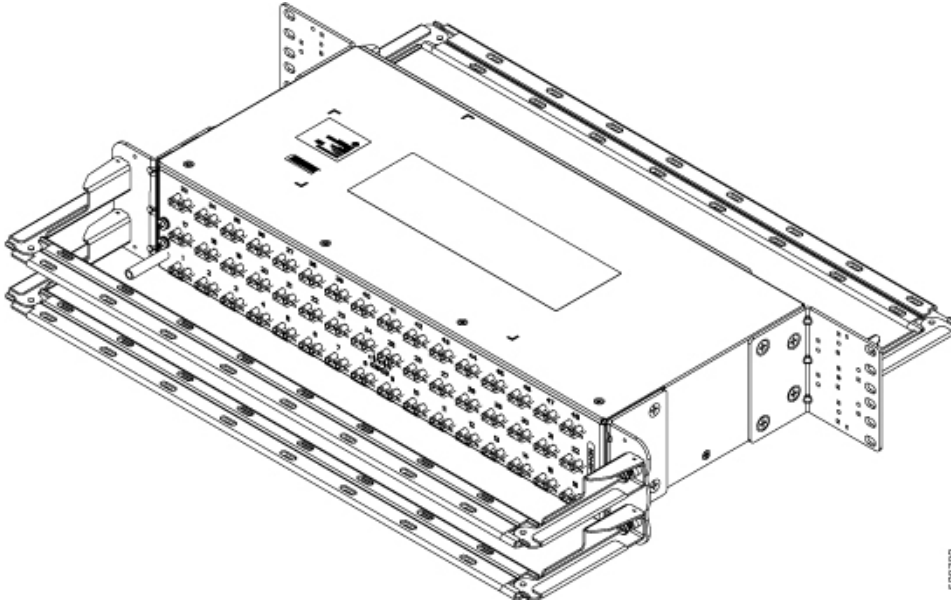
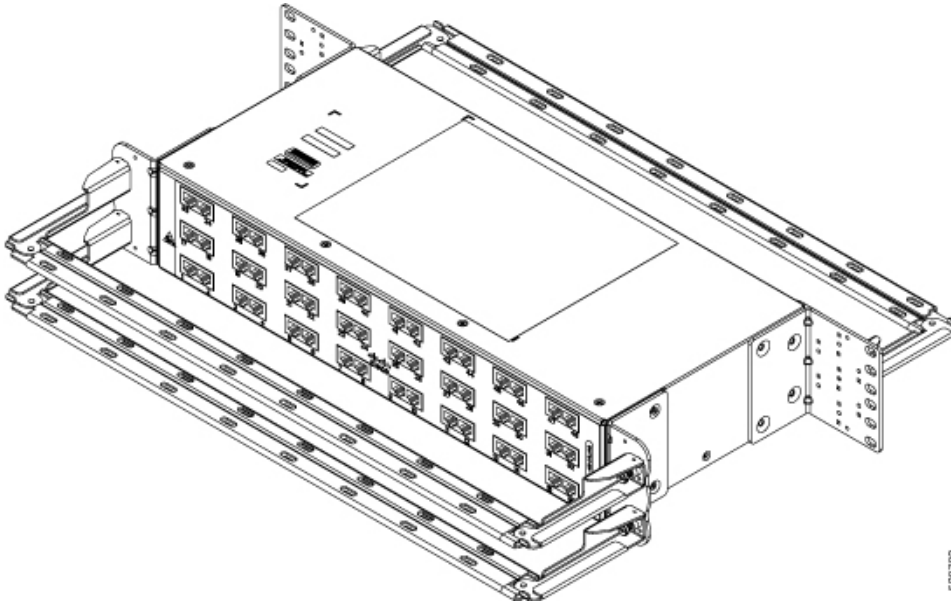


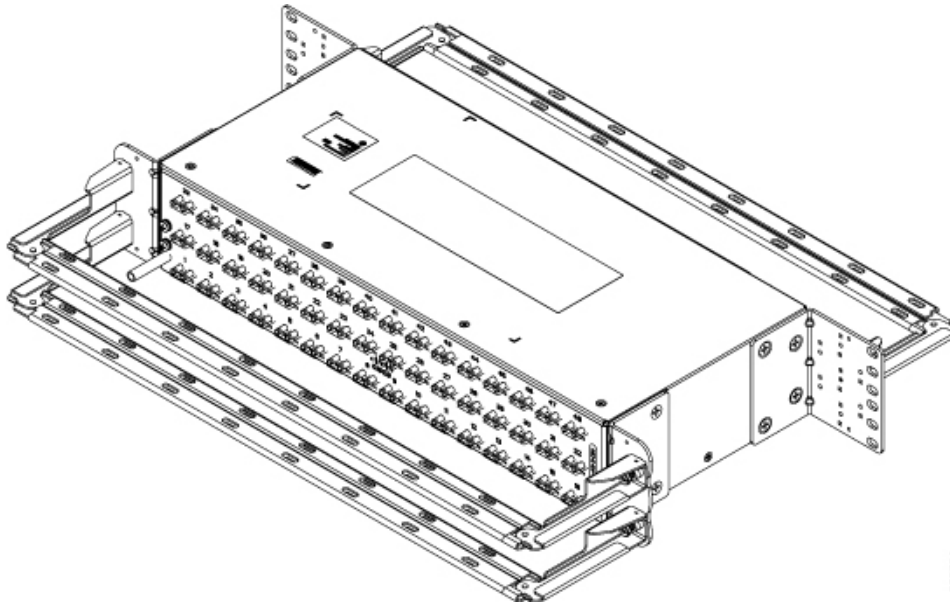
Figure 61: PANEL-48-1-DIN

520702

Figure 62: PANEL-48-1-RJ48

520703

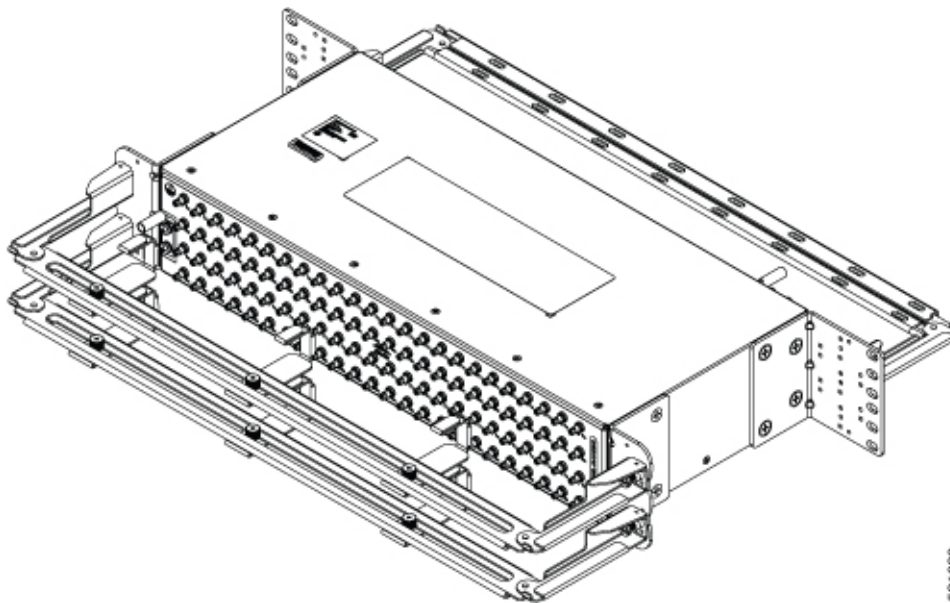
Figure 63: PANEL-48-3-DIN



520704

Note The installation of PANEL-48-1-AMP64, PANEL-48-1-DIN, PANEL-48-1-RJ48, and PANEL-48-3-DIN is similar to the installation steps mentioned above.

Figure 64: PANEL-48-3-HDBNC



521029

Figure 65: PANEL-144-1-AMP64

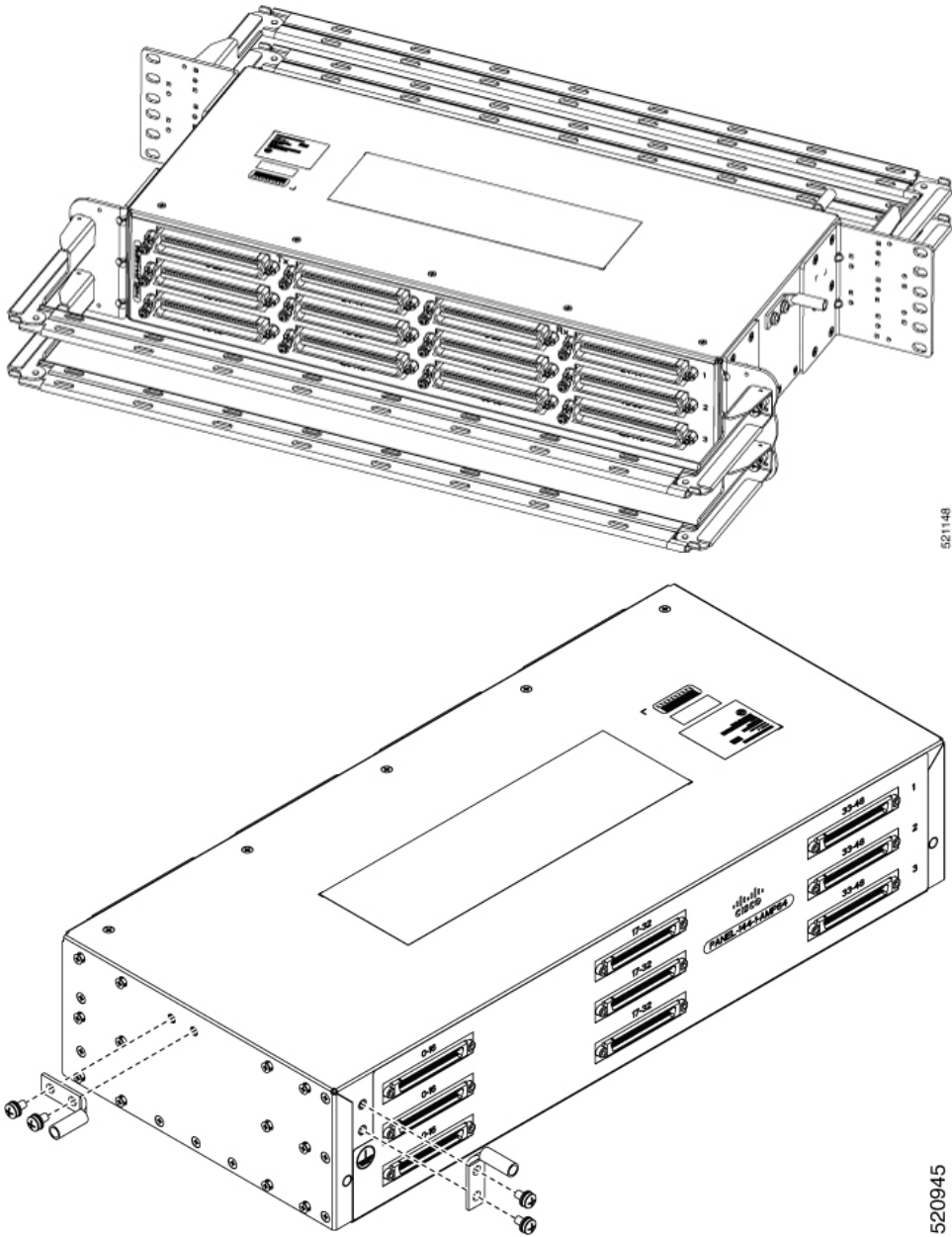
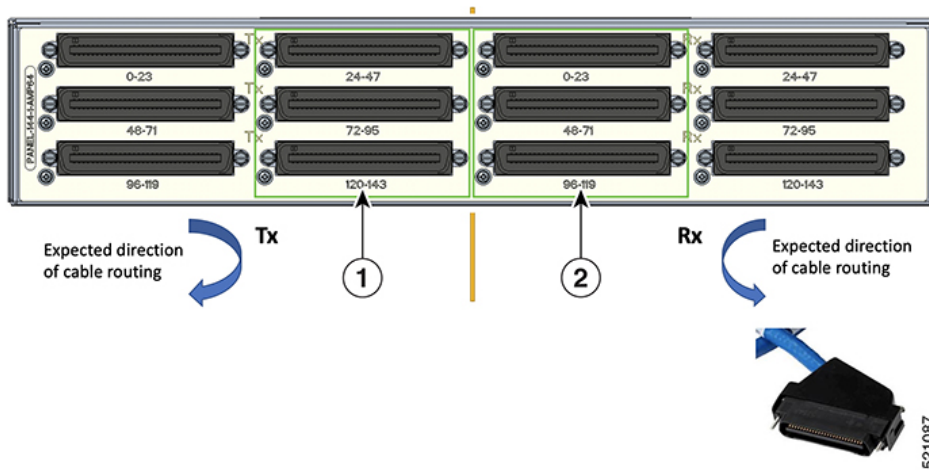


Figure 66: Example of 120° Exit Cable Hood



The following table shows details of the 120° exit cable hood:

Table 10: Cable Routing Recommendation for Panel-144-1-AMP64

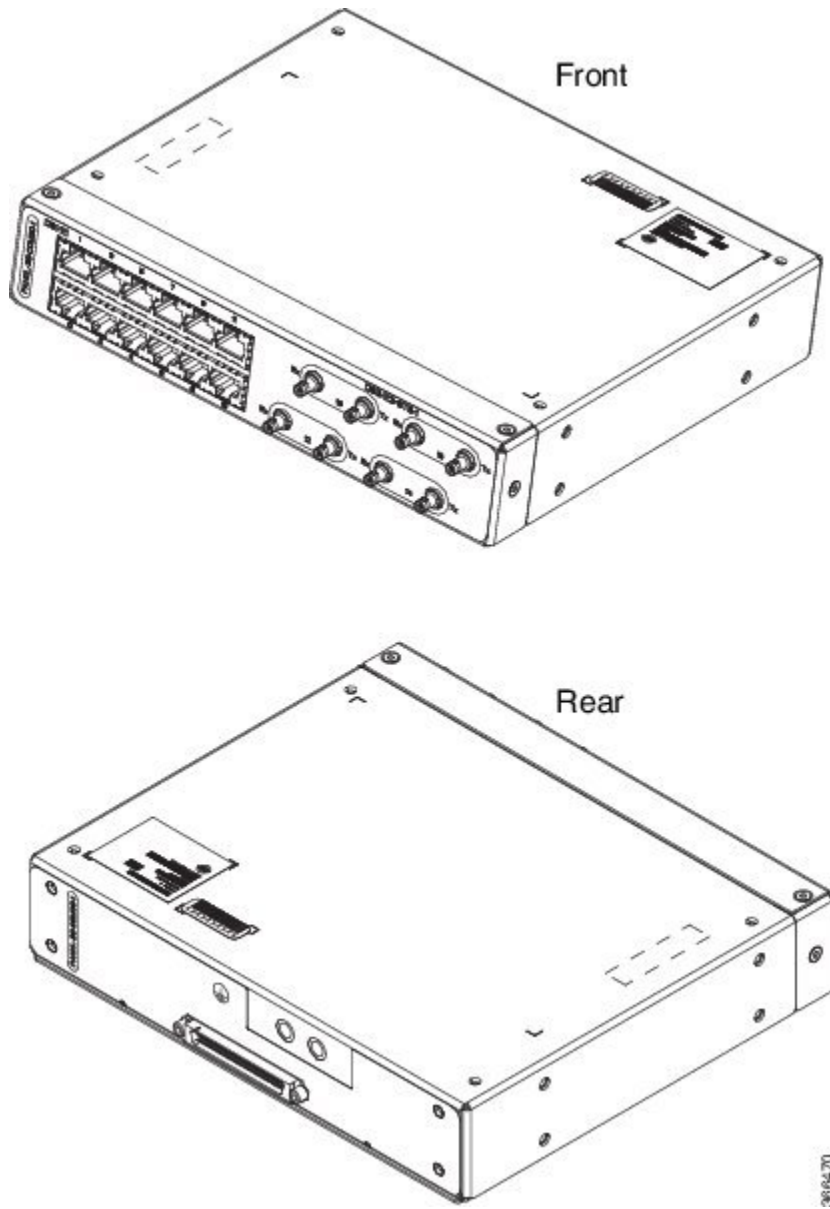
1	120° exit cable hood with left routing should be used for centre ports on the Tx side.
2	120° exit cable hood with right routing should be used for centre ports on the Rx side.

Install 3G Patch Panel

You can choose to either set up the Cisco ASR 903 3G patch panel on a rack or wall mount it.

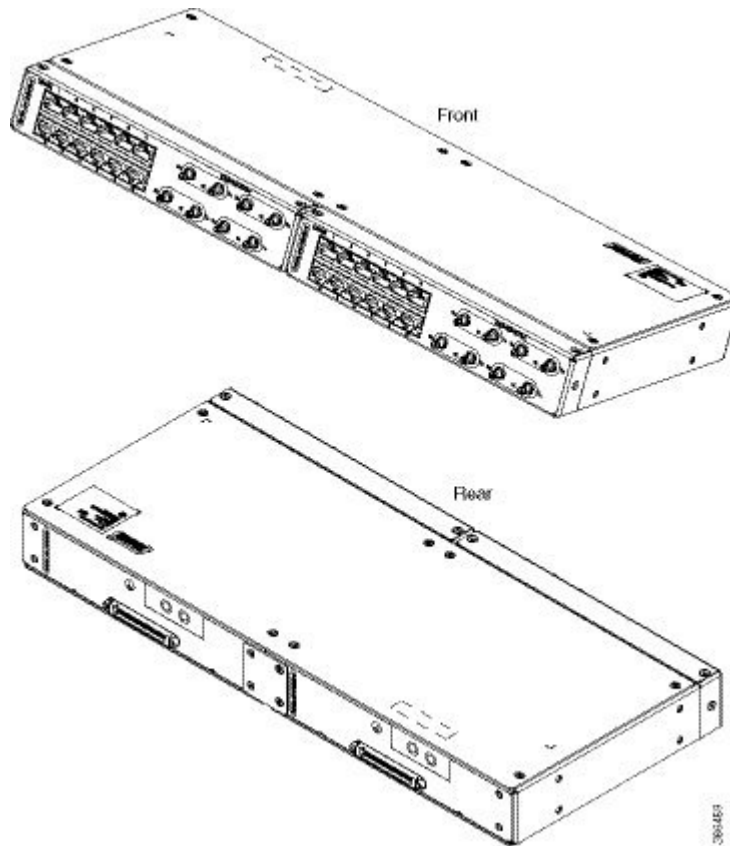
Install Rack Brackets

- Step 1** Connect the grounding lugs using a crimping tool (as specified by the ground lug manufacturer), crimp the ground lug to the ground wire.
- Step 2** Use a 6 AWG ground wire to connect the other end to a suitable grounding point at your site.

Figure 67: Patch Panel Grounding - Single

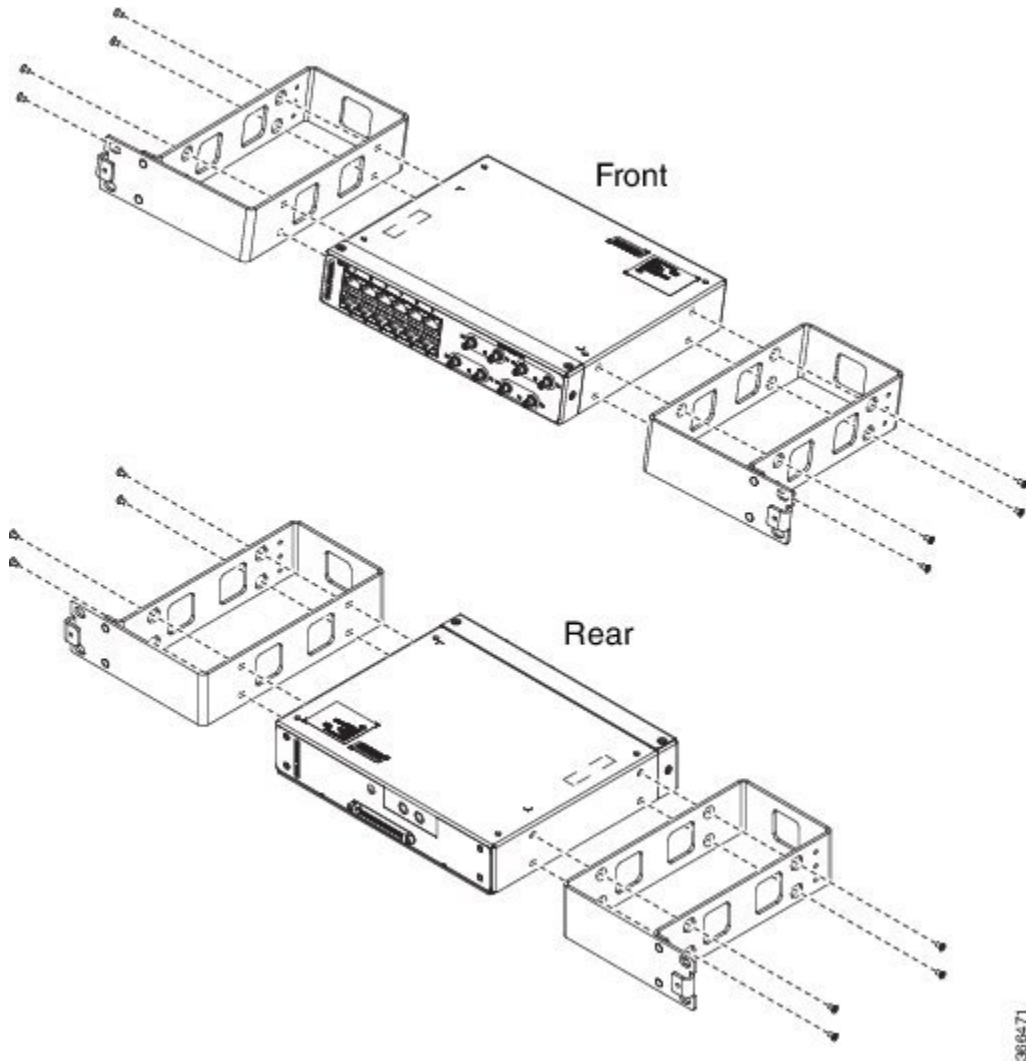
386470

Figure 68: Patch Panel Grounding - Dual



- Step 3** Position the patch panel in the rack as follows:
- If the front of the patch panel is at the front of the rack, insert the rear of the chassis between the mounting posts.
 - If the rear of the patch panel is at the front of the rack, insert the front of the chassis between the mounting posts.
- Step 4** Align the mounting holes in the bracket with the mounting holes in the equipment rack.

Figure 69: Installing the Patch Panel - Single in a 19-inch Rack



386471

Figure 70: Installing the Patch Panel - Dual in a 19-inch Rack

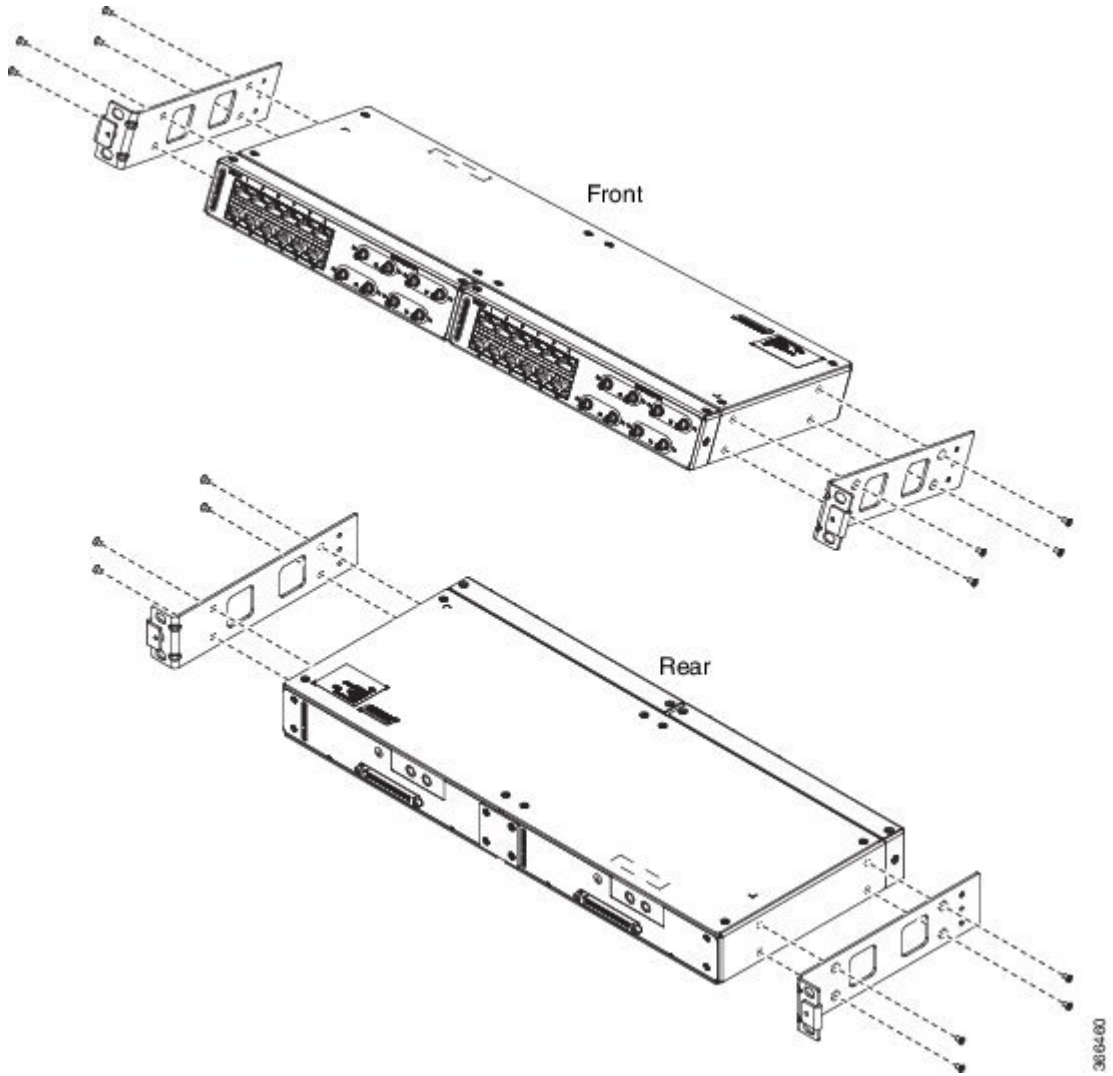


Figure 71: Installing the Patch Panel - Single in a 21-inch Rack

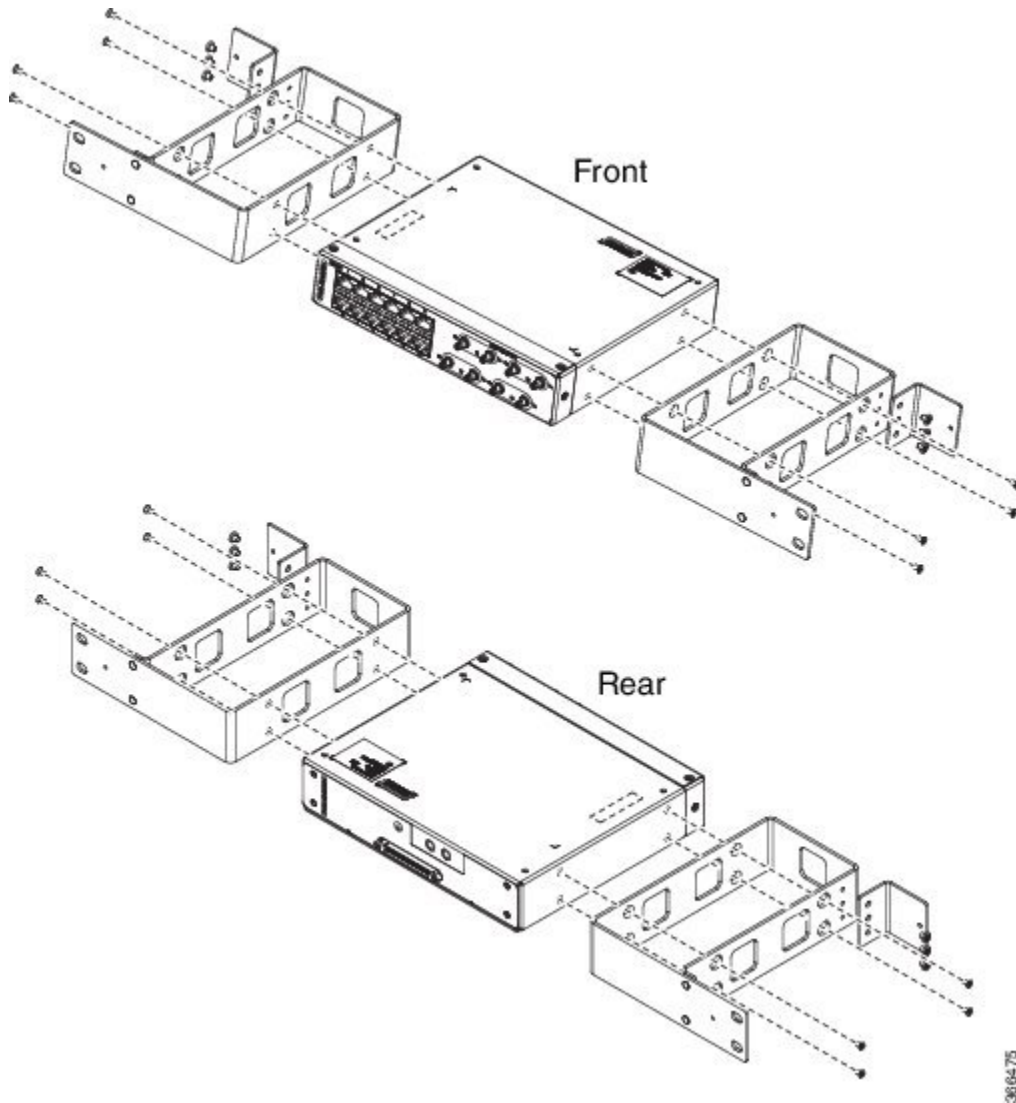


Figure 72: Installing the Patch Panel - Dual in a 21-inch Rack

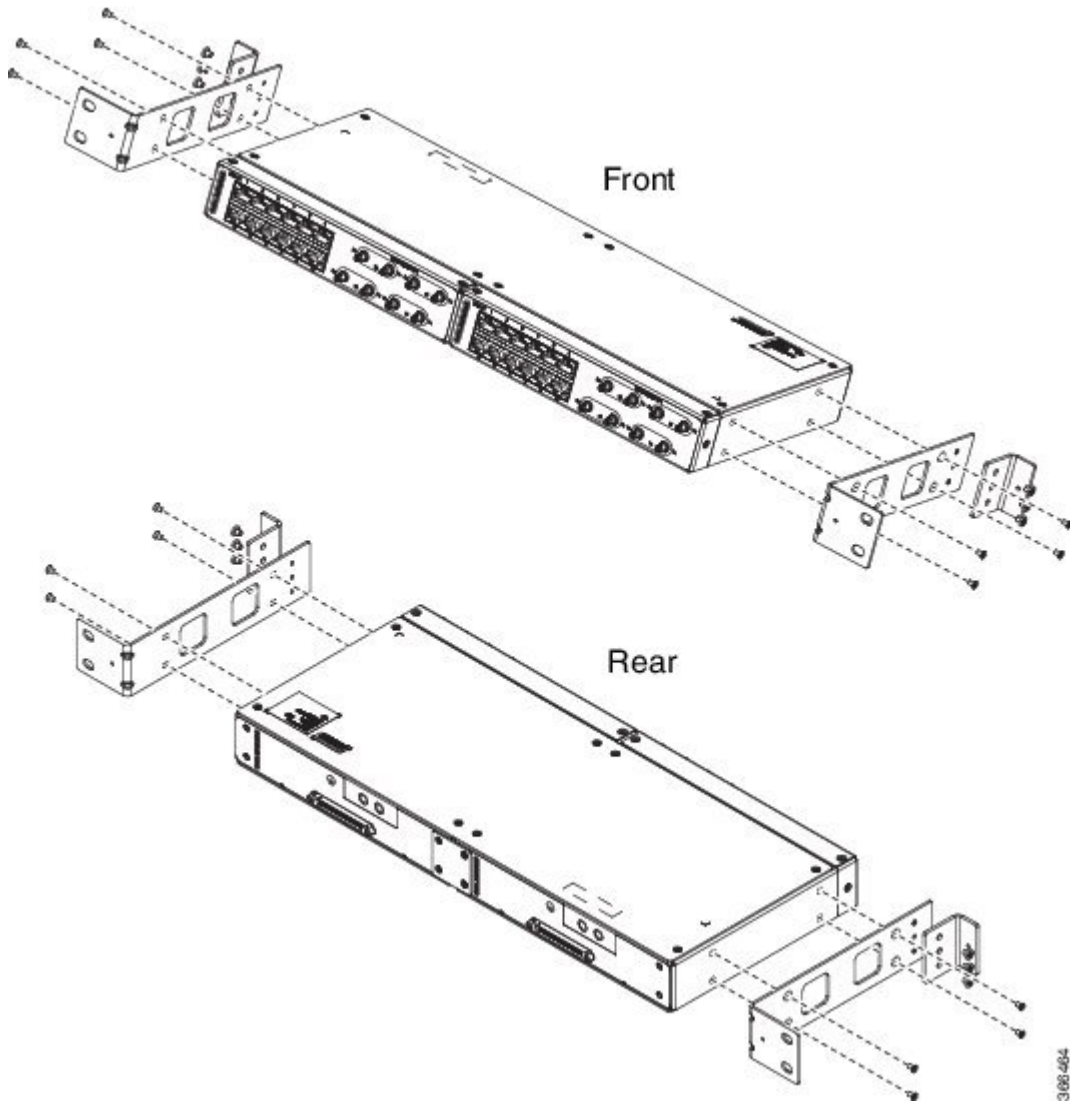
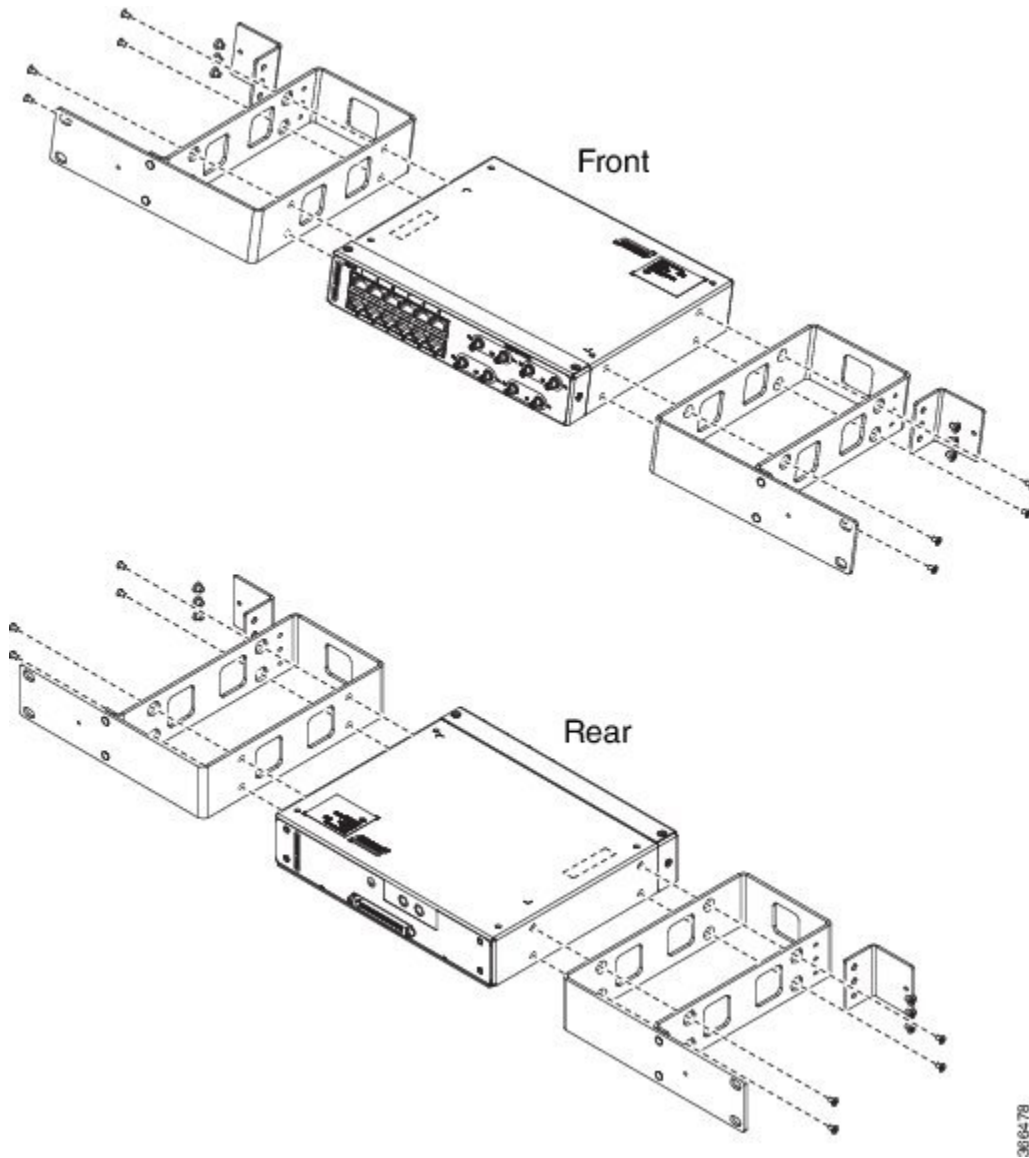
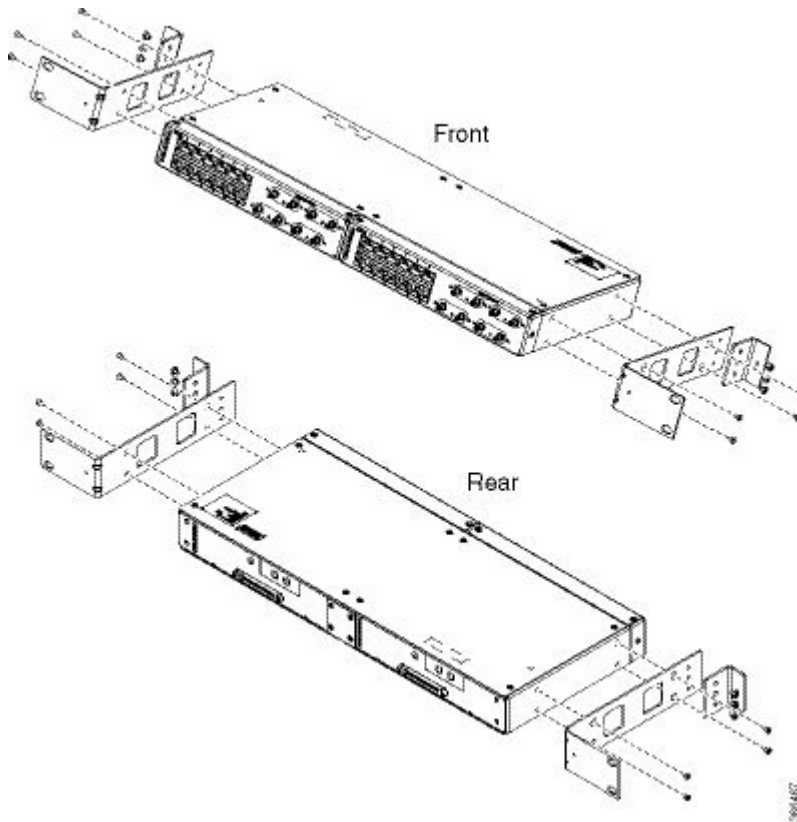


Figure 73: Installing the Patch Panel - Single in a 23-inch Rack



3664 78

Figure 74: Installing the Patch Panel - Dual in a 23-inch Rack



- Step 5** Secure the brackets to the chassis with the screws. The recommended maximum torque is 28 in.-lb (3.16 N-m).
- EIA 19 and 23 inches mounting brackets for both single and double 3G interface module patch panels.
 - ETSI 21 inches mounting brackets for both single and double 3G interface module patch panels.

Set up 3G Patch Panel on Rack

To install the optional cable management brackets, perform these steps:

- Step 1** Position the cable management brackets against the front of the chassis and align the screw holes, as shown in the figure.
- Step 2** Secure the cable management brackets with the screws. The recommended maximum torque is 10 in.-lb (1.12 N-m).

Figure 75: Attaching 19-inch Brackets to Patch Panel - Single

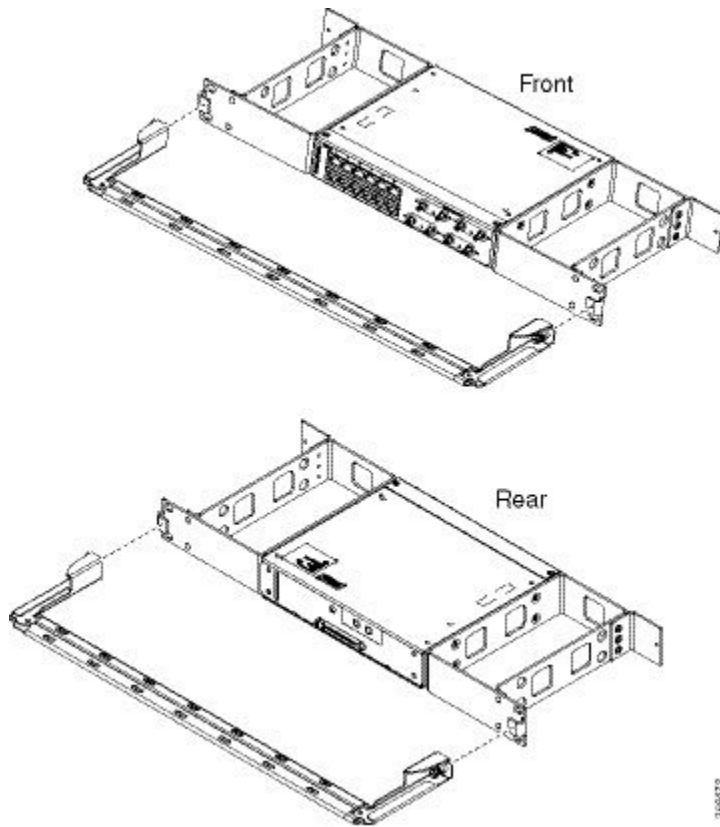


Figure 76: Installing 19-inch Brackets on to Rack - Single

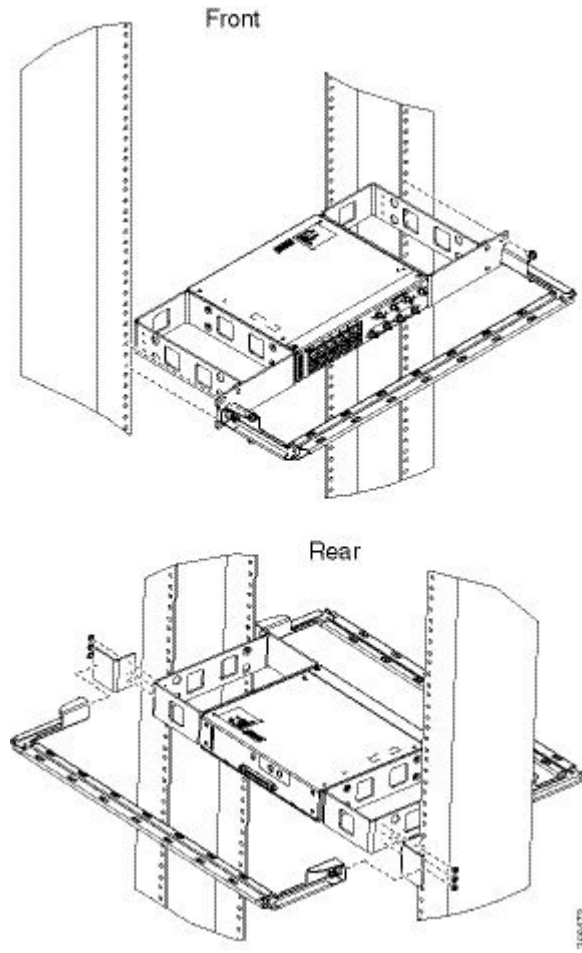


Figure 77: Attaching 19-inch Brackets to Patch Panel - Dual

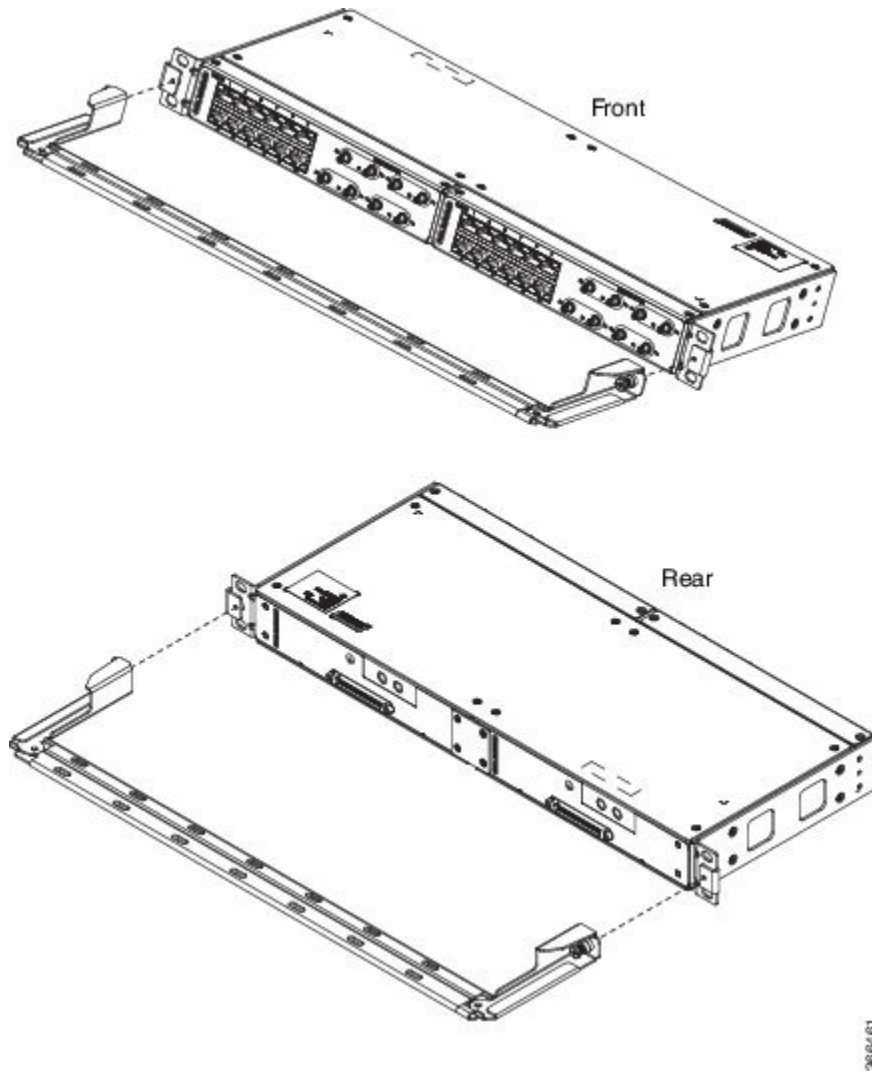


Figure 78: Installing 19-inch Brackets on to Rack - Dual

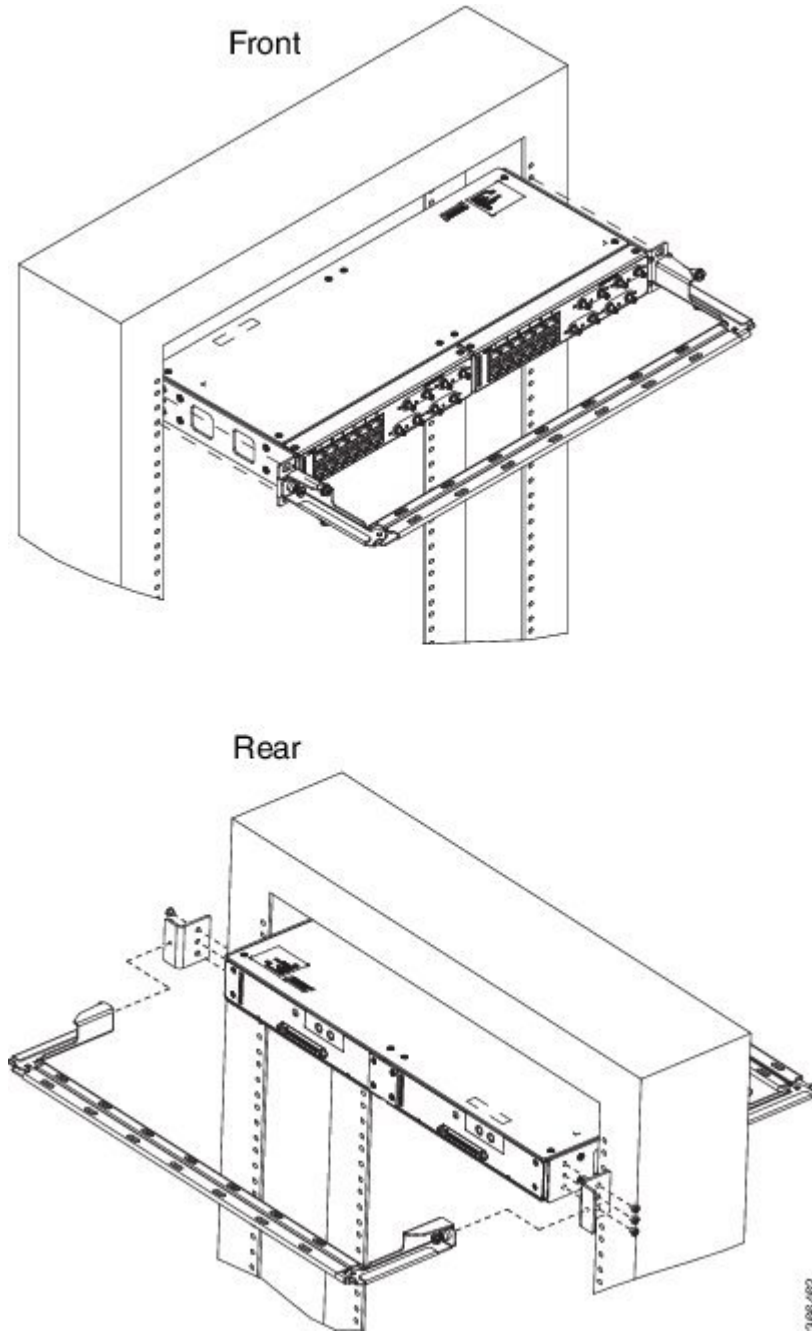


Figure 79: Attaching 21-inch Brackets to Patch Panel - Single

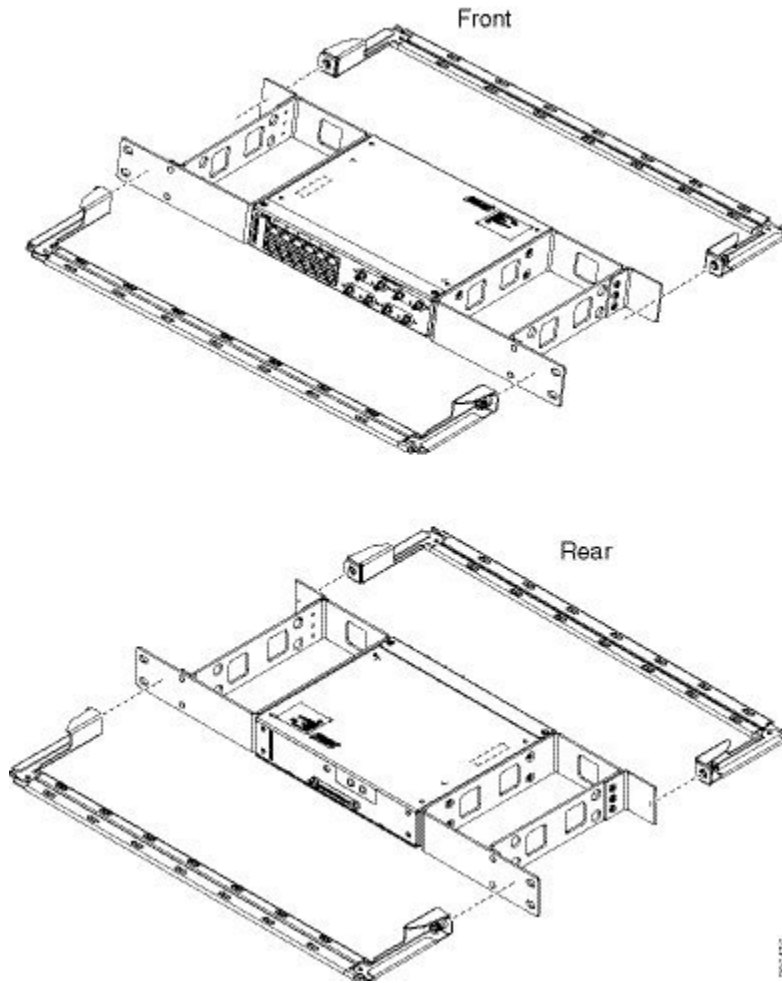
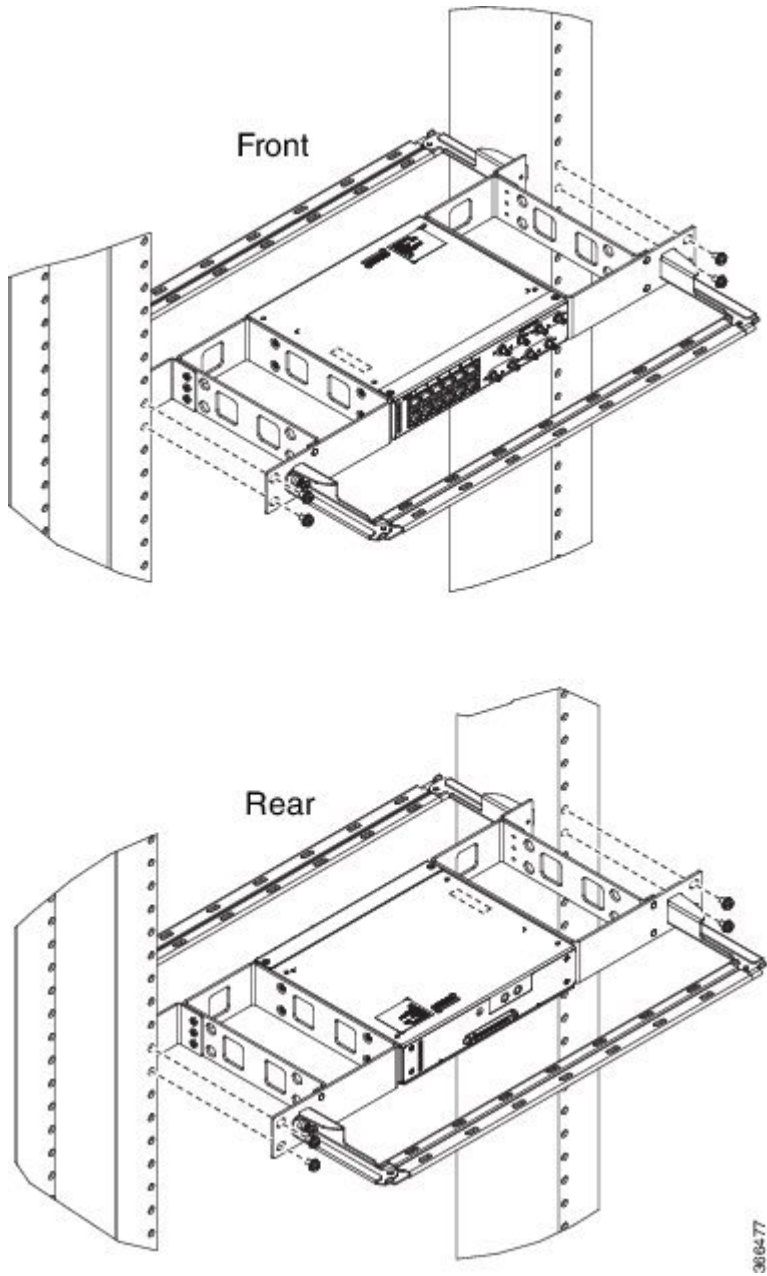


Figure 80: Installing 21-inch Brackets on to Rack - Single



36164-77

Figure 81: Attaching 21-inch Brackets to Patch Panel - Dual

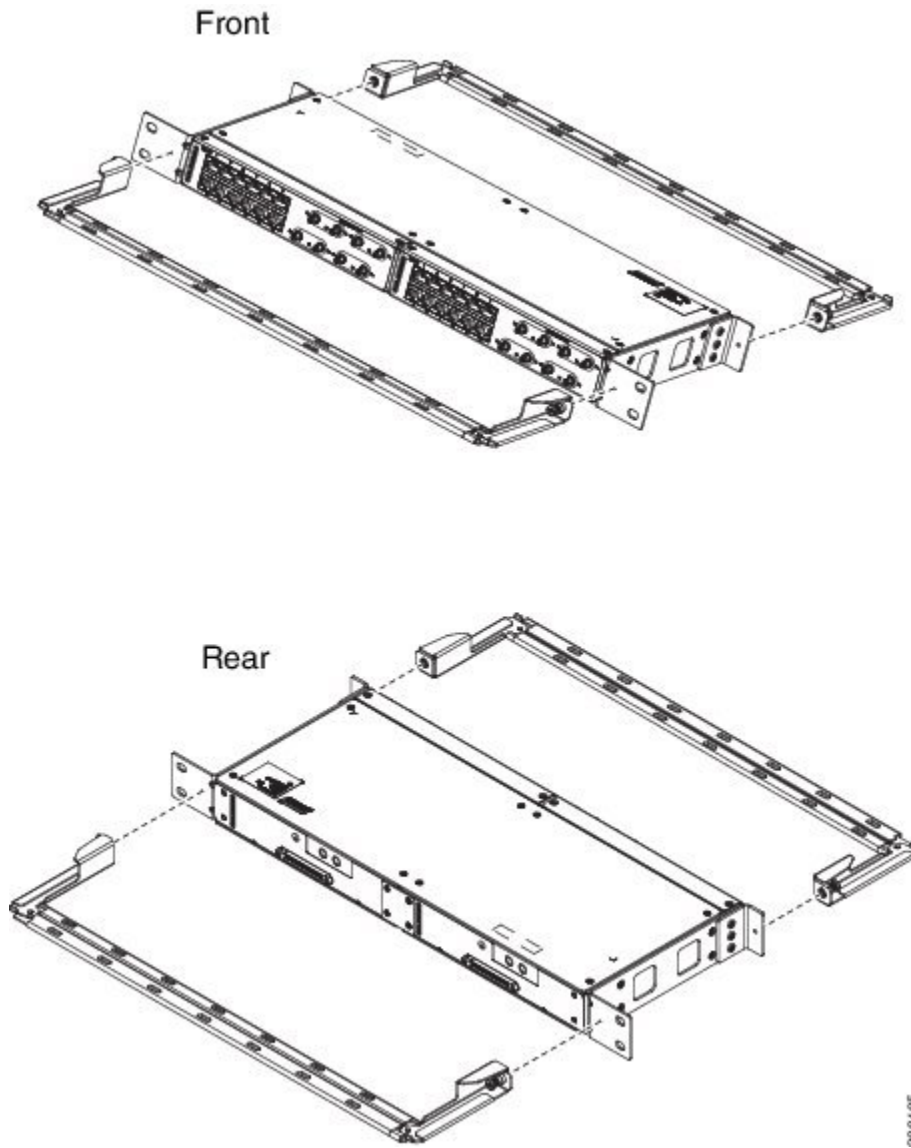
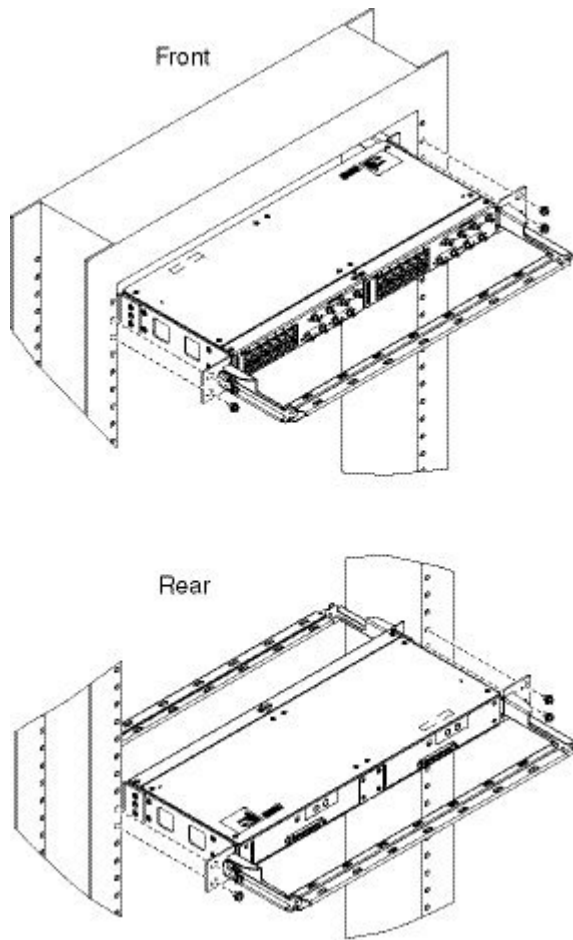


Figure 82: Installing 21-inch Brackets on to Rack - Dual



385468

Figure 83: Attaching 23-inch Brackets to Patch Panel - Single

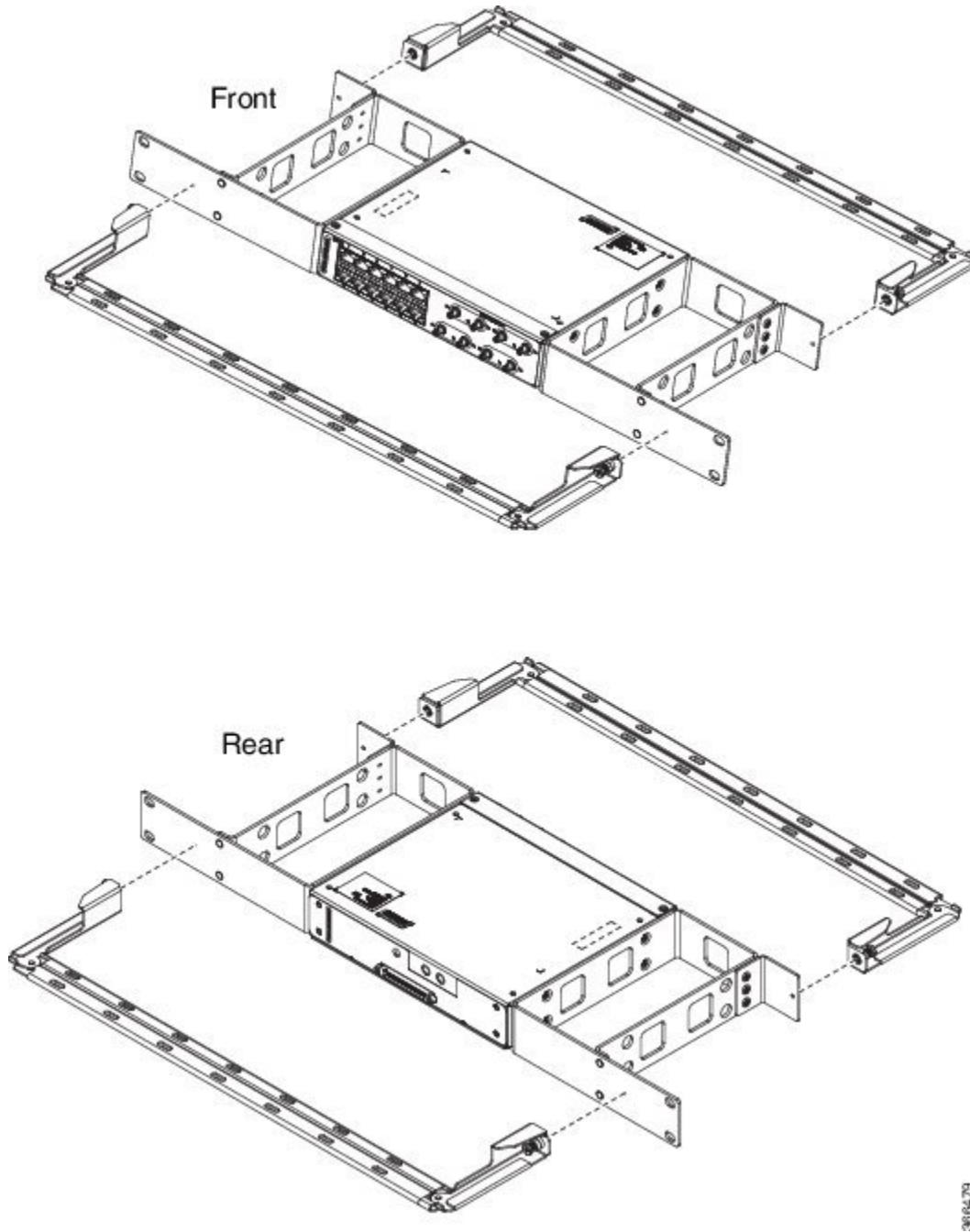


Figure 84: Installing 23-inch Brackets on to Rack - Single

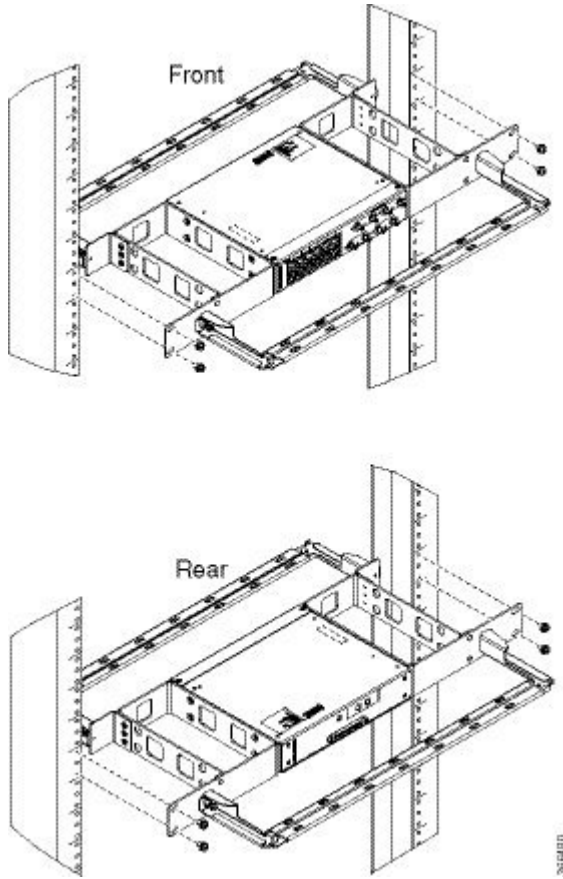


Figure 85: Attaching 23-inch Brackets to Patch Panel - Dual

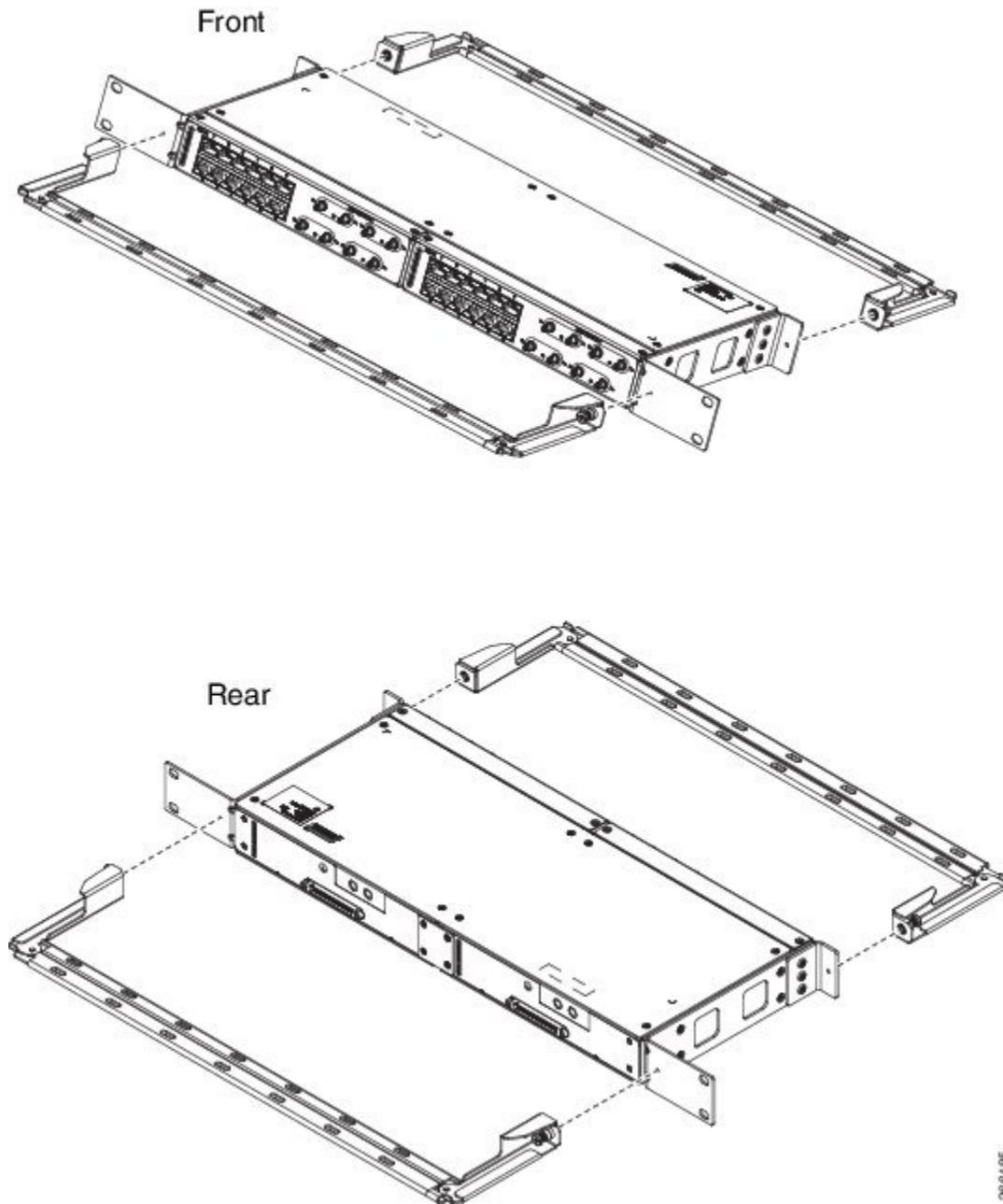
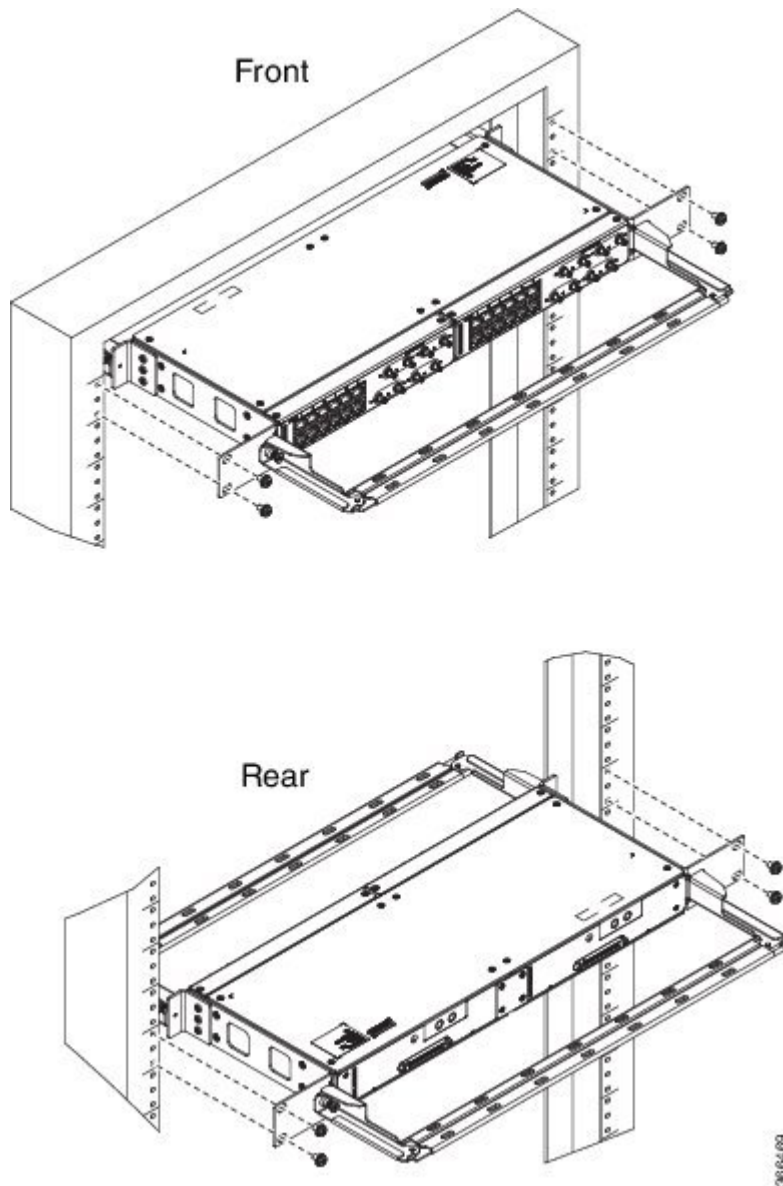


Figure 86: Installing 23-inch Brackets on to Rack - Dual

Wall Mount 3G Patch Panel

Before you begin

You must first install the mounting brackets and cable guides on to the patch panel before you mount it on the wall. You can use the same rack mount brackets (700-113653-01) for wall mount.

Step 1 Remove the mounting brackets from the accessory kit and position them beside the device.

Note You can install the brackets as shown in the figure.

Figure 87: Wall Mount - Single

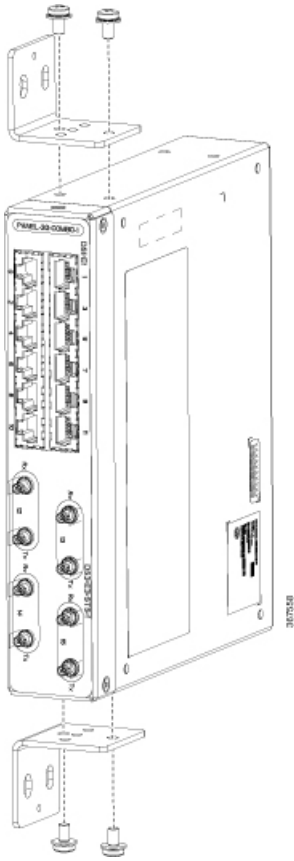
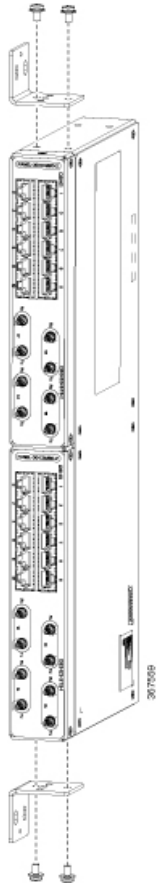


Figure 88: Wall Mount - Dual

- Step 2** Secure the bracket to the device with the recommended maximum torque of 10 inch-pounds (1.1 newton meters).
- Step 3** Position the device vertically on the wall.
- Caution** Before mounting the device, ensure that all unused holes at the sides of the device are protected with screws.
- Step 4** Use a tape measure and level to verify that the device is installed straight and on level.
-

Patch Panel Dimensions

Following are the various patch panel dimensions.

Figure 89: Patch Panel Without Brackets

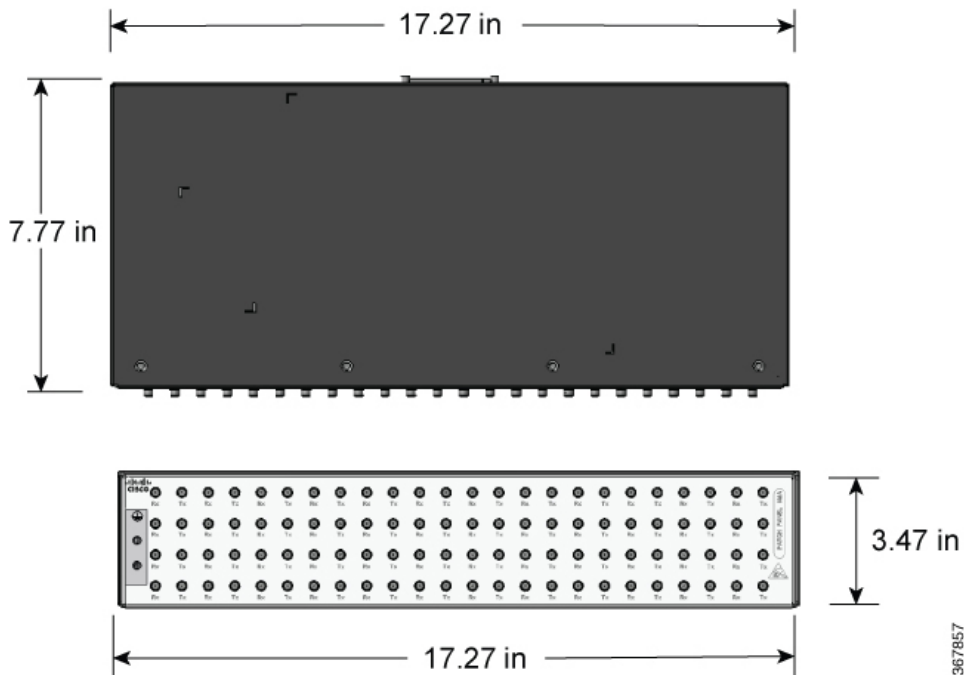


Figure 90: Patch Panel With Brackets

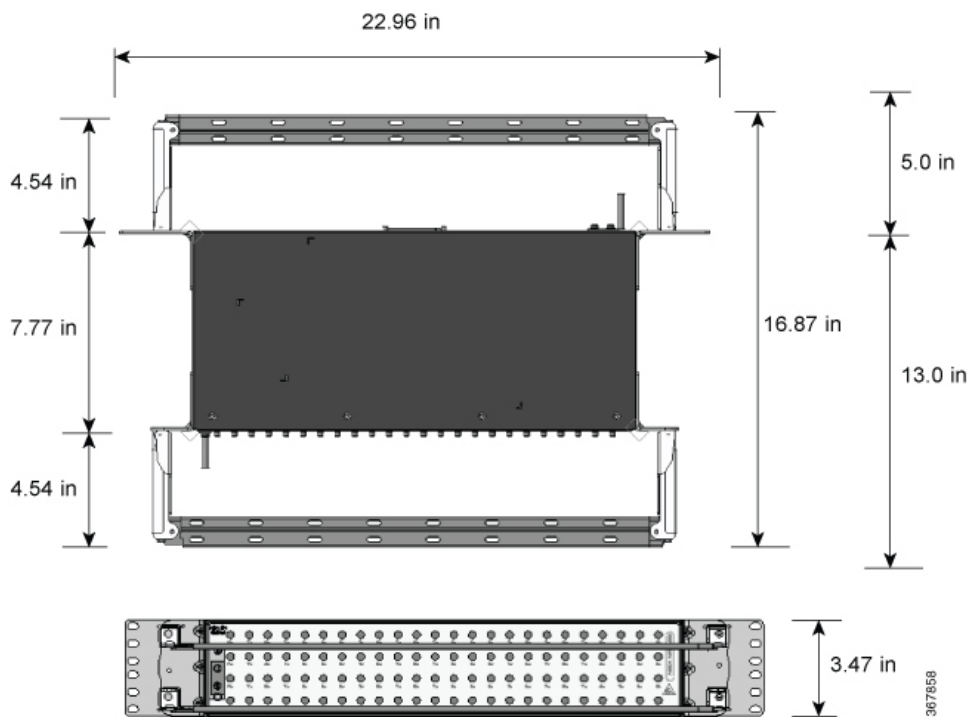
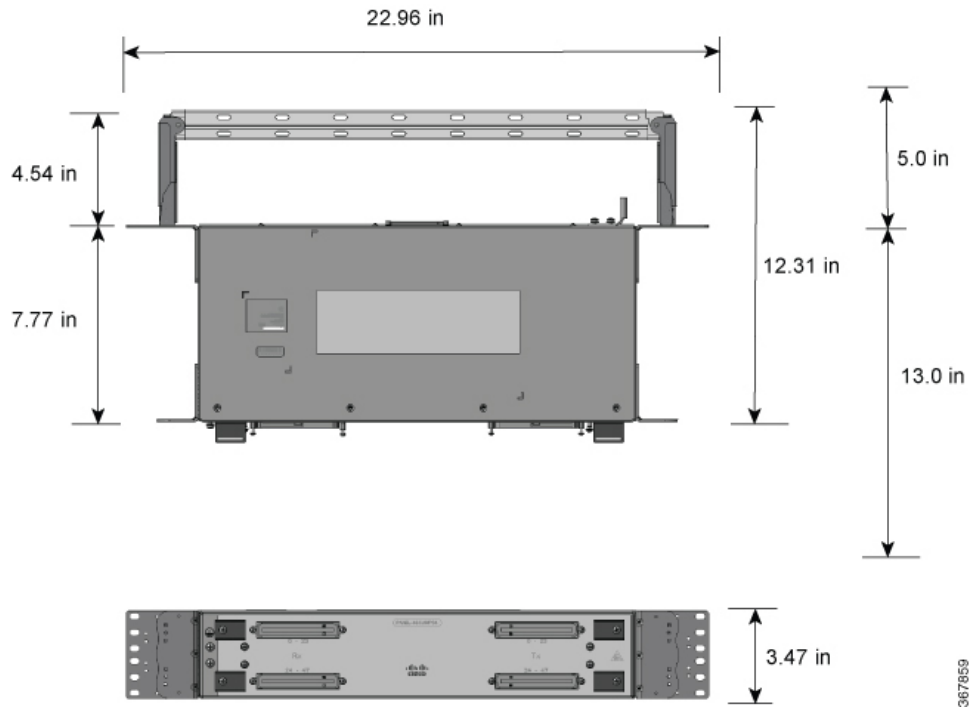


Figure 91: AMP64 Patch Panel With Brackets



367859

Figure 92: 3G Patch Panel Without Brackets - Single

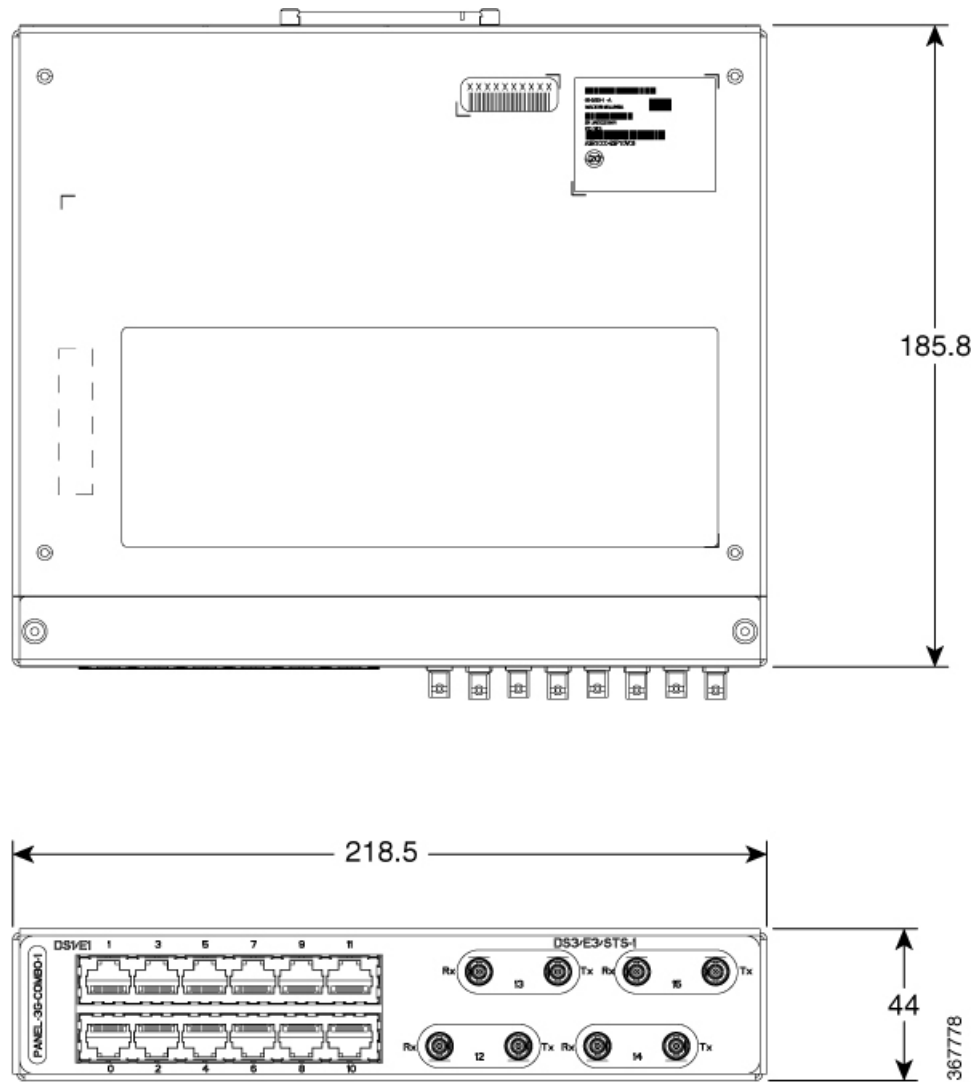
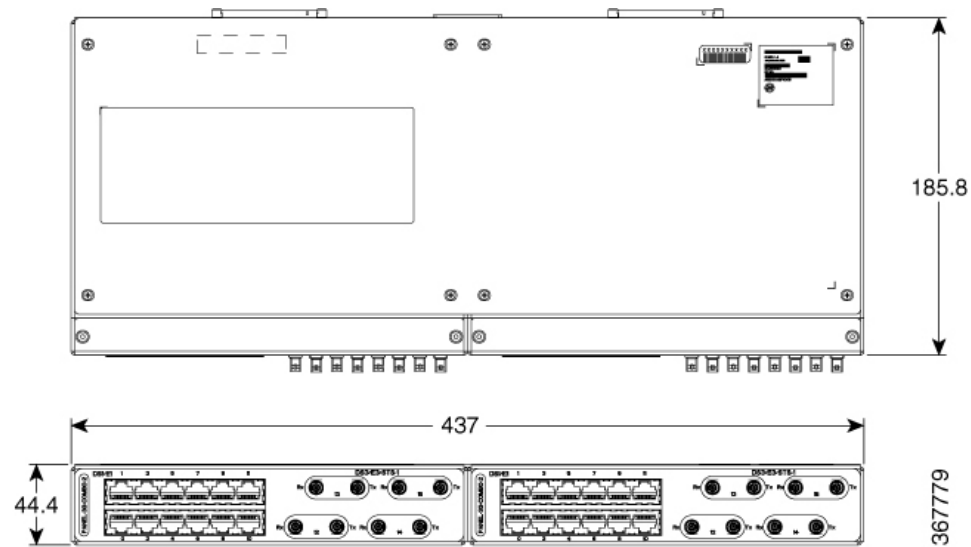


Figure 93: 3G Patch Panel Without Brackets - Dual



Patch Panel Pinout

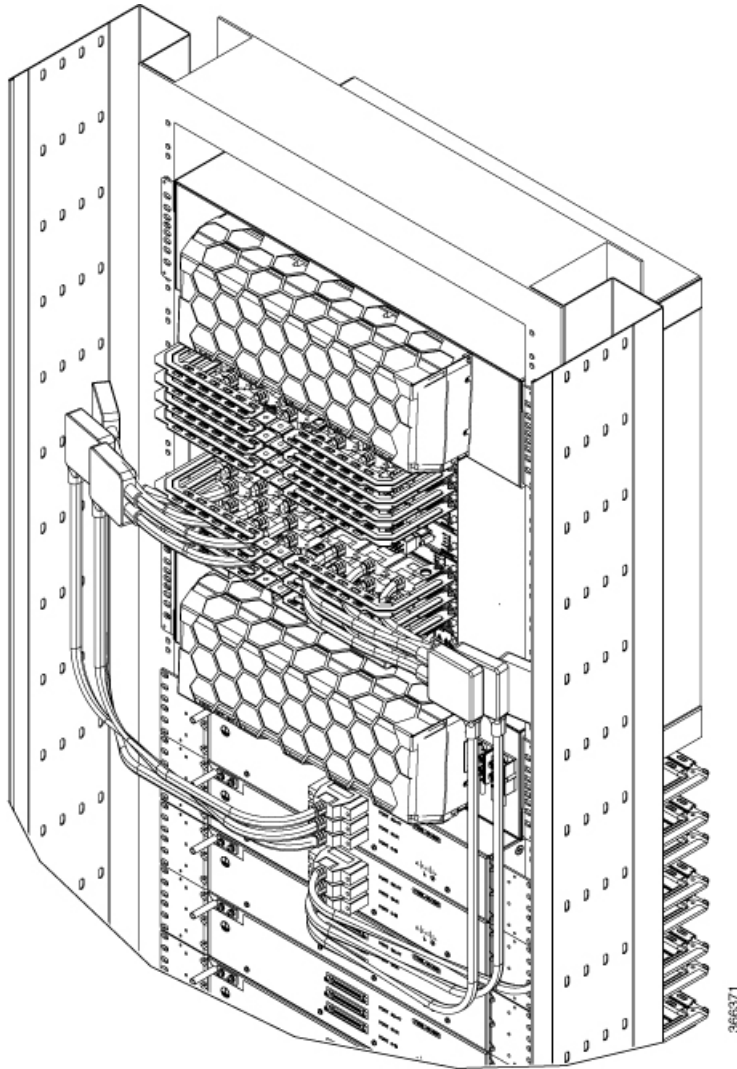
Given below are the pinout information for the regular crossover and the straight-through cable patch panel.

Table 11: Pinout Details

Pin #	Crossover	Straight-through
1	Receive Tip	Transmit Tip
2	Receive Ring	Transmit Ring
3	—	—
4	Transmit Tip	Receive Tip
5	Transmit Ring	Receive Ring
6	—	—
7	—	—
8	—	—

Patch Panel Cabling for Redundancy

You can connect the patch panels with the interface modules for redundancy, using the Y-cables. The Y-cable stub lengths are reduced, so that the cable does not exceed from the rack spacer. The Y-cables are numbered based on the different stub length. Cable lengths differ for even numbered and odd numbered slots in the chassis.

Figure 94: Y-Cable Routing

Note Do not try to interchange the cables as the length may vary based on odd and even slots.

Table 12: Y-Cable for Redundancy

Bundle PID	Y-Cable Hood Marking	Description
CABLE-16TDM-R1EL1	T1/E1-Cable S-3	16-port cable for TDM CEM Interface Module, 42 inches cable length and 10 inches stub length, even slot
	T1/E1 Cable S-2	16-port cable for TDM CEM Interface Module, 42 inches cable length and 7.5 inches stub length, even slot
	T1/E1 Cable S-1	16-port cable for TDM CEM Interface Module, 42 inches cable length and 6.5 inches stub length, even slot
CABLE-16TDM-R1EL2	T1/E1-Cable M-3	16-port cable for TDM CEM Interface Module, 62 inches cable length and 10 inches stub length, even slot
	T1/E1-Cable M-2	16-port cable for TDM CEM Interface Module, 62 inches cable length and 7.5 inches stub length, even slot
	T1/E1-Cable M-1	16-port cable for TDM CEM Interface Module, 62 inches cable length and 6.5 inches stub length, even slot
CABLE-16TDM-R1EL3	T1/E1-Cable L-3	16-port cable for TDM CEM Interface Module, 78 inches cable length and 10 inches stub length, even slot
	T1/E1-Cable L-2	16-port cable for TDM CEM Interface Module, 78 inches cable length and 7.5 inches stub length, even slot
	T1/E1-Cable L-1	16-port cable for TDM CEM Interface Module, 78 inches cable length and 6.5 inches stub length, even slot
CABLE-16TDM-R3EL1	T3/E3-Cable S-3	16-port cable for TDM CEM Interface Module, 42 inches cable length and 10 inches stub length, even slot
	T3/E3-Cable S-2	16-port cable for TDM CEM Interface Module, 42 inches cable length and 7.5 inches stub length, even slot
	T3/E3-Cable S-1	16-port cable for TDM CEM Interface Module, 42 inches cable length and 6.5 inches stub length, even slot

Bundle PID	Y-Cable Hood Marking	Description
CABLE-16TDM-R3EL2	T3/E3-Cable M-3	16-port cable for TDM CEM Interface Module, 62 inches cable length and 10 inches stub length, even slot
	T3/E3-Cable M-2	16-port cable for TDM CEM Interface Module, 62 inches cable length and 7.5 inches stub length, even slot
	T3/E3-Cable M-1	16-port cable for TDM CEM Interface Module, 62 inches cable length and 6.5 inches stub length, even slot
CABLE-16TDM-R3EL3	T3/E3-Cable L-3	16-port cable for TDM CEM Interface Module, 78 inches cable length and 10 inches stub length, even slot
	T3/E3-Cable L-2	16-port cable for TDM CEM Interface Module, 78 inches cable length and 7.5 inches stub length, even slot
	T3/E3-Cable L-1	16-port cable for TDM CEM Interface Module, 78 inches cable length and 6.5 inches stub length, even slot
CABLE-16TDM-R1OL1	T1/E1-Cable S-3	3 x 16-port cables for TDM CEM Interface Module, 42 inches cable length and 10 inches stub length, odd slot
CABLE-16TDM-R1OL2	T1/E1-Cable M-3	3 x 16-port cables for TDM CEM Interface Module, 62 inches cable length and 10 inches stub length, odd slot
CABLE-16TDM-R1OL3	T1/E1-Cable L-3	3 x 16-port cables for TDM CEM Interface Module, 78 inches cable length and 10 inches stub length, odd slot
CABLE-16TDM-R3OL1	T3/E3-Cable S-3	3 x 16-port cables for TDM CEM Interface Module, 42 inches cable length and 10 inches stub length, odd slot
CABLE-16TDM-R3OL2	T3/E3-Cable M-3	3 x 16-port cables for TDM CEM Interface Module, 62 inches cable length and 10 inches stub length, odd slot
CABLE-16TDM-R3OL3	T3/E3-Cable L-3	3 x 16-port cables for TDM CEM Interface Module, 78 inches cable length and 10 inches stub length, odd slot

Connecting the Fan Tray Alarm Port

The fan tray includes an alarm port that maps to four dry contact alarm inputs.

The pins on the alarm port are passive signals and can be configured as Normally Open (an alarm generated when current is interrupted) or Normally Closed (an alarm is generated when a circuit is established) alarms. You can configure each alarm input as critical, major, or minor. An alarm triggers alarm LEDs and alarm messages. The relay contacts can be controlled through any appropriate third-party relay controller. Ensure that the shield is terminated to ground at both ends. The open and close configuration is an option controlled in IOS.



Warning

To comply with the Telcordia GR-1089 NEBS standard for electromagnetic compatibility and safety, connect the alarm ports only to intra-building or unexposed wiring or cable. The intrabuilding cable must be shielded and the shield must be grounded at both ends. The intra-building ports of the equipment or subassembly must not be metalically connected to interfaces that connect to the OSP or its wiring. These interfaces are designed for use as intra-building interfaces only (Type 2 or Type 4 ports as described in GR-1089-CORE) and require isolation from the exposed OSP cabling. The addition of Primary Protectors is not sufficient protection in order to connect these interfaces metalically to OSP wiring.

Only Pins 1, 2, 4, 6, and 8 are available for customer use. The remaining pins are for Cisco manufacturing test, and should not be connected. Use a shielded cable for connection to this port for EMC protection. *External Alarm Input Pinout* table summarizes the pinouts on the alarm port in the [Troubleshooting](#) section.

Step 1 Attach a RJ45 cable to the alarm port.**Step 2** Attach the other end of the RJ45 cable to the relay controller.

What to do next

For information about how to map alarm inputs to critical, major, and minor alarm conditions, see the Cisco NCS 4216 *Software Configuration Guide*.

Connector and Cable Specifications

For more information on cable specifications and pinouts, see the [Troubleshooting](#) section.



CHAPTER 4

Cisco NCS 4216 14RU Initial Configuration

This chapter guides you through a basic router configuration, which is sufficient for you to access your network. Complex configuration procedures are beyond the scope of this publication and can be found in the modular configuration and modular command reference publications in the Cisco IOS software configuration documentation set that corresponds to the software release installed on your Cisco hardware.

To configure the Cisco NCS 4216 14RU from a console, you need to connect a terminal to the router console port.

- [Checking Conditions Prior to System Startup](#), on page 141
- [Powering Up the Cisco NCS 4216 14RU](#), on page 142
- [Configuring the Cisco NCS 4216 14RU at Startup](#), on page 143
- [Safely Powering Off the Cisco NCS 4216 14RU](#), on page 146

Checking Conditions Prior to System Startup

Ensure that the following conditions are addressed before starting up the router:

- The Route Switch Processor (RSP) is installed.
- The optional Gigabit Ethernet Management port cable is installed.
- The chassis is securely mounted and grounded.
- The power and interface cables are connected.
- Your PC with terminal emulation program (hyperTerminal or equivalent) is connected to the console port and powered up.
- Your PC terminal emulation program is configured for 9600 baud, 8 data bits, 1 stop-bit, no parity, and flow control is set to none.
- You have selected passwords for access control.
- Captive installation screws are tight on all removable components.
- The console terminal is turned on.
- You have determined the IP addresses for the Ethernet and serial interfaces.
- Empty card slots or card bays are filled with card blanks. This ensures proper air flow through the chassis and electromagnetic compatibility (EMC).

Powering Up the Cisco NCS 4216 14RU

Make certain that all card slots and compartments are closed off. Install blank faceplates on any empty slots. Always have power supply slots filled. If you leave a power supply slot uncovered, then you risk exposure to hazardous voltages on the power pins on the midplane.



Warning Blank faceplates and cover panels serve three important functions: they prevent exposure to hazardous voltages and currents inside the chassis; they contain electromagnetic interference (EMI) that might disrupt other equipment; and they direct the flow of cooling air through the chassis. Do not operate the system unless all cards, faceplates, front covers, and rear covers are in place. Statement 1029



Note This equipment is designed to boot up in less than 30 minutes, depending on its neighboring devices be fully up and running.

After installing your Cisco NCS 4216 14RU and connecting cables, start the router and follow these steps:

Step 1 Activate the DC power supply using the steps described in the [Activating the DC Power Supply](#) procedure.

Caution Do not press any keys on the keyboard until the messages stop and the SYS PWR LED is solid green. Any keys pressed during this time are interpreted as the first command typed when the messages stop, which might cause the router to power off and start over. It takes a few minutes for the messages to stop.

Note **This is only an example of what can display. The system boots differently depending upon the configuration that ships with your system.**

Step 2 Observe the initialization process. When the system boot is complete, the Cisco NCS 4216 14RU RSP begins to initialize. During the boot process, observe the system LEDs. The LEDs go on and off in an irregular sequence. Once the router has booted, the green STATUS LED comes on and stays on.

Verifying the Front Panel LEDs

The front-panel indicator LEDs provide power, activity, and status information useful during bootup. For more detailed information about the LEDs, see the [Troubleshooting](#) section.

Verifying the Hardware Configuration

To display and verify the hardware features, enter the following commands:

- **show version**—Displays the system hardware version; the installed software version; the names and sources of configuration files; the boot images; and the amount of installed DRAM, NVRAM, and flash memory.
- **show diag slot**—Displays the IDPROM information for the assemblies in the chassis.

Checking Hardware and Software Compatibility

To check the minimum software requirements of the Cisco IOS XE software with the hardware installed on your Cisco NCS 4216 14RU, Cisco maintains the Software Advisor tool on Cisco.com. The tool provides the minimum Cisco IOS requirements for individual hardware modules and components.



Note To access this tool, you must have a Cisco.com login account.

To access the Software Advisor, click **Login** at Cisco.com, type **Software Advisor** in the search box, and click **Go**. Click the link for the Software Advisor Tool.

Choose a product family or enter a specific product number to search for the minimum supported software needed for your hardware.

Configuring the Cisco NCS 4216 14RU at Startup

This section explains how to create a basic running configuration for your Cisco NCS 4216 14RU.



Note You need to acquire the correct network addresses from your system administrator or consult your network plan to determine correct addresses before you can complete the router configuration.

Before continuing the configuration process, check the current state of the router by entering the **show version** command. The **show version** command displays the release of Cisco IOS software that is available on the router.

For information on modifying the configuration after you create it, see the Cisco IOS configuration and command reference guides.

To configure a Cisco NCS 4216 14RU from the console, you must connect a terminal or terminal server to the console port on the Cisco NCS 4216 14RU RSP. To configure the Cisco NCS 4216 14RU using the management Ethernet port, you must have the router's IP address available.

Using the Console Interface

To access the command line interface using the console, follow these steps:

Step 1 Your system is booting and if you answer No, at the prompt:

Example:

The following example is for IOS XE software

```
--- System Configuration Dialog ---
Would you like to enter the initial configuration dialog? [yes/no]: no
```

Step 2 Then Press Return to enter user EXEC mode. The following prompt appears:

```
Router>
```

Step 3 From user EXEC mode, enter the enable command as shown in the following example:

```
Router> enable
```

Step 4 At the password prompt, enter your system password. If an enable password has not been set on your system, this step may be skipped. The following example shows entry of the password called *enablepass* :

```
Password: enablepass
```

Step 5 When your enable password is accepted, the privileged EXEC mode prompt appears: Router#

Step 6 You now have access to the CLI in privileged EXEC mode and you can enter the necessary commands to complete your desired tasks. To exit the console session, enter the quit command as shown in the following example:

Example:

```
Router# quit
```

Configuring Global Parameters

When you first start the setup program, you must configure the global parameters. These parameters are used for controlling system-wide settings. Perform the following steps to enter the global parameters:

Step 1 Connect a console terminal to the console port, and then boot the router.

Note This is only an example of the output display; prompts may vary.

When you see this information, you have successfully booted your router:

Example:

```
Restricted Rights Legend
```

```
Use, duplication, or disclosure by the Government is
subject to restrictions as set forth in subparagraph
(c) of the Commercial Computer Software - Restricted
Rights clause at FAR sec. 52.227-19 and subparagraph
(c) (1) (ii) of the Rights in Technical Data and Computer
Software clause at DFARS sec. 252.227-7013.
```

```
    cisco Systems, Inc.
    170 West Tasman Drive
    San Jose, California 95134-1706
```

```
.
.
.
```

```
--- System Configuration Dialog ---
```

```
Would you like to enter the initial configuration dialog? [yes/no]: yes
```

```
Press RETURN to get started!
```

Step 2 The first sections of the configuration script appear only at an initial system startup. On subsequent uses of the setup facility, the script begins with a System Configuration Dialog as shown below: When asked if you would like to enter the initial configuration dialog, enter yes.

Example:


```
Would you like to enter the initial configuration dialog? [yes/no] yes
At any point you may enter a question mark '?' for help.
Use ctrl-c to abort configuration dialog at any prompt.
Default settings are in square brackets '['].
Basic management setup configures only enough connectivity for management of the system, extended
setup will ask you to configure each interface on the system.
```

Basic management setup configures enough connectivity for managing the system; extended setup will ask you to configure each interface on the system. For detailed information about setting global parameters, refer to the *Cisco NCS 4216 Software Configuration Guide*.

Checking the Running Configuration Settings

To check the value of the settings you have entered, enter the `show running-config` command at the `Router#` prompt:

```
Router# show running-config
```

To review changes you make to the configuration, use the EXEC mode `show startup-config` command to see the changes and copy run-start stored in NVRAM.

The ROMMON variable is set from factory to boot the IOS as `?BOOT="bootflash:Image/packages.conf"?`. However, the boot command is not pre-configured.

As the boot command is not configured, the router boots to ROMMON mode after the first power cycle, and the following message is displayed:

```
no valid BOOT image found
Final autoboot attempt from default boot device...
Located tracelogs.030
Image size 6181 inode num 13, bks cnt 2 blk size 8*512
Boot image size = 6181 (0x1825) bytes
Unknown image structure
boot: cannot determine first file name on device "bootflash:"
rommon1>
```

To avoid the router booting into ROMMON state, it's highly recommended that you set the boot command prior to the first reload.

```
Router(config)# boot system flash bootflash:/Image/asr900rsp3-universalk9.x.x.x.-ext.bin
```

Saving the Running Configuration to NVRAM

To store the configuration or changes to your startup configuration in NVRAM, enter the `copy running-config startup-config` command at the `Router#` prompt:

```
Router# copy running-config startup-config
```

Using this command saves the configuration settings that you created in the router using configuration mode and the setup facility. If you fail to do this, your configuration will be lost the next time you reload the router.

Safely Powering Off the Cisco NCS 4216 14RU

This section explains how to shut down the Cisco NCS 4216 14RU. We recommend that before turning off all power to the chassis, you issue the **reload** command. This insures that the operating system cleans up all the file systems. Once the reload operation is complete, then the Cisco NCS 4216 14RU can be powered off safely.

To remove power from the Cisco NCS 4216 14RU safely, follow this procedure and see the examples:

Step 1 Slip on the ESD-preventive wrist strap that was included in the accessory kit.

Step 2 Enter the **reload** command.

Step 3 Confirm the reload command.

Example:

```
Router# reload
Proceed with reload? [confirm]
*Sep 7 09:00:40.084 IST:%SYS-5-RELOAD: Reload requested by console. Reload Reason: Reload Command.
Sep 7 09:01:02.649 R1/0:%PMAN-5-EXITACTION: Process manager is exiting: process exit with reload
chassis code
```

Step 4 After confirming the reload command, wait until the system bootstrap message displays before powering off the system.

Step 5 Remove any power cables from the Cisco NCS 4216 14RU.

- a) For power supplies with a circuit breaker switch, position the switch to the Off (O) position.
- b) For power supplies with a Standby switch, place the Standby switch in the Standby position.

After powering off the router, wait a minimum of 30 seconds before powering it on again.



CHAPTER 5

Troubleshooting

The sections provide information for troubleshooting problems on the Cisco NCS 4216 14RU.

- [Pinouts, on page 147](#)
- [LED Summary, on page 164](#)
- [CLI Commands, on page 174](#)

Pinouts

The sections describe the pinouts for the Cisco NCS 4216 14RU interfaces.

BITS Port Pinout

The following table summarizes the BITS port pinout of the Front Panel “Building Integrated Timing Supply” RJ48 port.

Table 13: BITS Port Pinout

Pin	Signal Name	Direction	Description
1	RX Ring	Input	Receive Ring
2	RX Tip	Input	Receive Tip
3	—	—	Not used
4	TX Ring	Output	TX Ring
5	TX Tip	Output	TX Tip
6	—	—	Not used
7	—	—	Not used
8	—	—	Not used

Wire Wrap Adapter Pinouts

The wire wrap adapter is used to support the wire wrap interface for the BITS port on the RSP3 module. This adapter is plugged into the existing RJ-45 connector on the RSP3 module.

Figure 95: Wire Wrap Adapter

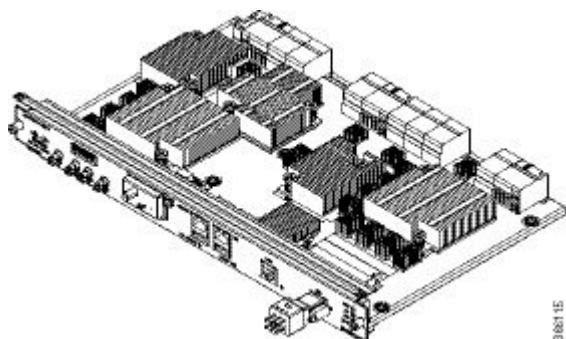


Table 14: Wire Wrap Adapter Pinouts

Wire Wrap Pin Numbers	Signals
1	RX_RING
2	RX_TIP
3	GND
4	GND
5	TX_RING
6	TX_TIP

GPS Port Pinout

The platform is capable of receiving or sourcing GPS signals of 1 PPS & 10 MHz. These interfaces are provided by two mini-coax 50-Ohm, 1.0/2.3 DIN series connector on the front panel. Similarly there are two mini-coax 50-Ohm connectors provided in the front panel to output this 1PPS and 10MHz.

The table below summarizes the GPS port pinouts.

Table 15: GPS Port Pinout

	10 Mhz (input and output)	1PPS (input and output)
Waveform	Input—Sine wave Output—Square wave	Input—Pulse shape Output—Pulse shape
Amplitude	Input— > 1.7 volt p-p(+8 to +10 dBm) Output— > 2.4 volts TTL compatible	Input— > 2.4 volts TTL compatible Output— > 2.4 volts TTL compatible

	10 Mhz (input and output)	1PPS (input and output)
Impedance	50 ohms	50 ohms
Pulse Width	50% duty cycle	26 microseconds
Rise Time	Input—AC coupled Output—5 nanoseconds	40 nanoseconds

Alarm Port Pinout

The table below summarizes the external alarm input pinout.

Table 16: External Alarm Input Pinout

Fn	Signal Name	Description
1	ALARM0_IN	Alarm input 0
2	ALARM1_IN	Alarm input 1
3	—	No connect
4	ALARM2_IN	Alarm input 2
5	ALARM3_IN	Alarm input 3
6	—	No connect
7	—	No connect
8	COMMON	Alarm common

Console/Aux RJ45 RS232 Serial Port Pinout

The following table summarizes the console/aux RJ45 RS232 serial port pinout.

Table 17: Console/Aux RJ45 RS232 serial port

Fn	Signal Name	Direction	Description
1	RTS	Not Used	—
2	DTR	Not Used	—
3	TXD	Output	Transmit data

Pin	Signal Name	Direction	Description
4	RI	Not Used	—
5	GND	—	—
6	RXD	Input	Receive data
7	DSR/DCD	Not Used	—
8	CTS	Not Used	—

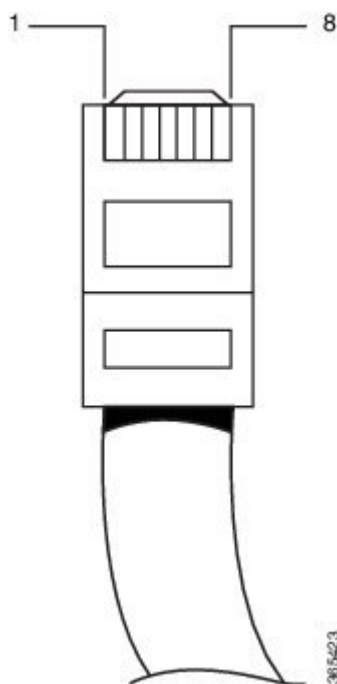
T1/E1 Port Pinouts (RJ-48)

The figure below shows the RJ-48C connector wiring for the T1/E1 cable for the Cisco 2-port T1/E1-RAN interface card. The table shows the pinout configuration for the RJ-48C connectors on the Cisco 2-port T1/E1-RAN interface card for both the shielded and unshielded cables for either T1 or E1.



Note Cisco recommends using a shielded cable for your RJ-48C connectors.

Figure 96: RJ-48C Connector Wiring



Shielded		Unshielded	
Pin	Description	Pin	Description
1	Receive Ring	1	Receive Ring
2	Receive Tip	2	Receive Tip
3	Receive Shield	3	—
4	Transmit Ring	4	Transmit Ring
5	Transmit Tip	5	Transmit Tip
6	Transmit Shield	6	—
7	Not Used	7	—
8	Not Used	8	—

AMP64 Pinouts

Table 18: Port 0-23 RX

Pin Number	Signal Name	Pin	Signal
1	RX Ring Port 0	33	RX Tip Port 0
2	RX Ring Port 1	34	RX Tip Port 1
3	RX Ring Port 2	35	RX Tip Port 2
4	RX Ring Port 3	36	RX Tip Port 3
5	RX Ring Port 4	37	RX Tip Port 4
6	RX Ring Port 5	38	RX Tip Port 5
7	RX Ring Port 6	39	RX Tip Port 6
8	RX Ring Port 7	40	RX Tip Port 7
9	RX Ring Port 8	41	RX Tip Port 8
10	RX Ring Port 9	42	RX Tip Port 9
11	RX Ring Port 10	43	RX Tip Port 10
12	RX Ring Port 11	44	RX Tip Port 11
13	RX Ring Port 12	45	RX Tip Port 12
14	RX Ring Port 13	46	RX Tip Port 13
15	RX Ring Port 14	47	RX Tip Port 14

Pin Number	Signal Name	Pin	Signal
16	RX Ring Port 15	48	RX Tip Port 15
17	RX Ring Port 16	49	RX Tip Port 16
18	RX Ring Port 17	50	RX Tip Port 17
19	RX Ring Port 18	51	RX Tip Port 18
20	RX Ring Port 19	52	RX Tip Port 19
21	RX Ring Port 20	53	RX Tip Port 20
22	RX Ring Port 21	54	RX Tip Port 21
23	RX Ring Port 22	55	RX Tip Port 22
24	RX Ring Port 23	56	RX Tip Port 23
25	Open	57	Open
26	Open	58	Open
27	Open	59	Open
28	Open	60	Open
29	Open	61	Open
30	Open	62	Open
31	Open	63	Open
32	Open	64	Open

Table 19: Port 24-47 RX

Pin Number	Signal Name	Pin	Signal
1	RX Ring Port 24	33	RX Tip Port 24
2	RX Ring Port 25	34	RX Tip Port 25
3	RX Ring Port 26	35	RX Tip Port 26
4	RX Ring Port 27	36	RX Tip Port 27
5	RX Ring Port 28	37	RX Tip Port 28
6	RX Ring Port 29	38	RX Tip Port 29
7	RX Ring Port 30	39	RX Tip Port 30
8	RX Ring Port 31	40	RX Tip Port 31

Pin Number	Signal Name	Pin	Signal
9	RX Ring Port 32	41	RX Tip Port 32
10	RX Ring Port 33	42	RX Tip Port 33
11	RX Ring Port 34	43	RX Tip Port 34
12	RX Ring Port 35	44	RX Tip Port 35
13	RX Ring Port 36	45	RX Tip Port 36
14	RX Ring Port 37	46	RX Tip Port 37
15	RX Ring Port 38	47	RX Tip Port 38
16	RX Ring Port 39	48	RX Tip Port 39
17	RX Ring Port 40	49	RX Tip Port 40
18	RX Ring Port 41	50	RX Tip Port 41
19	RX Ring Port 42	51	RX Tip Port 42
20	RX Ring Port 43	52	RX Tip Port 43
21	RX Ring Port 44	53	RX Tip Port 44
22	RX Ring Port 45	54	RX Tip Port 45
23	RX Ring Port 46	55	RX Tip Port 46
24	RX Ring Port 47	56	RX Tip Port 47
25	Open	57	Open
26	Open	58	Open
27	Open	59	Open
28	Open	60	Open
29	Open	61	Open
30	Open	62	Open
31	Open	63	Open
32	Open	64	Open

Table 20: Port 0-23 TX

Pin Number	Signal Name	Pin	Signal
1	TX Ring Port 0	33	TX Tip Port 0

Pin Number	Signal Name	Pin	Signal
2	TX Ring Port 1	34	TX Tip Port 1
3	TX Ring Port 2	35	TX Tip Port 2
4	TX Ring Port 3	36	TX Tip Port 3
5	TX Ring Port 4	37	TX Tip Port 4
6	TX Ring Port 5	38	TX Tip Port 5
7	TX Ring Port 6	39	TX Tip Port 6
8	TX Ring Port 7	40	TX Tip Port 7
9	TX Ring Port 8	41	TX Tip Port 8
10	TX Ring Port 9	42	TX Tip Port 9
11	TX Ring Port 10	43	TX Tip Port 10
12	TX Ring Port 11	44	TX Tip Port 11
13	TX Ring Port 12	45	TX Tip Port 12
14	TX Ring Port 13	46	TX Tip Port 13
15	TX Ring Port 14	47	TX Tip Port 14
16	TX Ring Port 15	48	TX Tip Port 15
17	TX Ring Port 16	49	TX Tip Port 16
18	TX Ring Port 17	50	TX Tip Port 17
19	TX Ring Port 18	51	TX Tip Port 18
20	TX Ring Port 19	52	TX Tip Port 19
21	TX Ring Port 20	53	TX Tip Port 20
22	TX Ring Port 21	54	TX Tip Port 21
23	TX Ring Port 22	55	TX Tip Port 22
24	TX Ring Port 23	56	TX Tip Port 23
25	Open	57	Open
26	Open	58	Open
27	Open	59	Open
28	Open	60	Open
29	Open	61	Open

Pin Number	Signal Name	Pin	Signal
30	Open	62	Open
31	Open	63	Open
32	Open	64	Open

Table 21: Port 24-47 TX

Pin Number	Signal Name	Pin	Signal
1	TX Ring Port 24	33	TX Tip Port 24
2	TX Ring Port 25	34	TX Tip Port 25
3	TX Ring Port 26	35	TX Tip Port 26
4	TX Ring Port 27	36	TX Tip Port 27
5	TX Ring Port 28	37	TX Tip Port 28
6	TX Ring Port 29	38	TX Tip Port 29
7	TX Ring Port 30	39	TX Tip Port 30
8	TX Ring Port 31	40	TX Tip Port 31
9	TX Ring Port 32	41	TX Tip Port 32
10	TX Ring Port 33	42	TX Tip Port 33
11	TX Ring Port 34	43	TX Tip Port 34
12	TX Ring Port 35	44	TX Tip Port 35
13	TX Ring Port 36	45	TX Tip Port 36
14	TX Ring Port 37	46	TX Tip Port 37
15	TX Ring Port 38	47	TX Tip Port 38
16	TX Ring Port 39	48	TX Tip Port 39
17	TX Ring Port 40	49	TX Tip Port 40
18	TX Ring Port 41	50	TX Tip Port 41
19	TX Ring Port 42	51	TX Tip Port 42
20	TX Ring Port 43	52	TX Tip Port 43
21	TX Ring Port 44	53	TX Tip Port 44
22	TX Ring Port 45	54	TX Tip Port 45

Pin Number	Signal Name	Pin	Signal
23	TX Ring Port 46	55	TX Tip Port 46
24	TX Ring Port 47	56	TX Tip Port 47
25	Open	57	Open
26	Open	58	Open
27	Open	59	Open
28	Open	60	Open
29	Open	61	Open
30	Open	62	Open
31	Open	63	Open
32	Open	64	Open

Patch Panel Pinout

The table below summarizes the patch panel pinouts of the connectors from the 48 port T1/E1 DIN, RJ48, AMP64, and 48 port T3/E3 DIN, HDBNC connectors that connects to the interface module (IM).

Table 22: Patch Panel Pinout

Pin	Signal Name Connector (0-15)	Signal Name Connector (16-31)	Signal Name Connector (32-47)
1	TX_PORT15_RING	TX_PORT31_RING	TX_PORT47_RING
2	TX_PORT15_TIP	TX_PORT31_TIP	TX_PORT47_TIP
3	TX_PORT14_RING	TX_PORT30_RING	TX_PORT46_RING
4	TX_PORT14_TIP	TX_PORT30_TIP	TX_PORT46_TIP
5	TX_PORT13_RING	TX_PORT29_RING	TX_PORT45_RING
6	TX_PORT13_TIP	TX_PORT29_TIP	TX_PORT45_TIP
7	TX_PORT12_RING	TX_PORT28_RING	TX_PORT44_RING
8	TX_PORT12_TIP	TX_PORT28_TIP	TX_PORT44_TIP
9	TX_PORT11_RING	TX_PORT27_RING	TX_PORT43_RING
10	TX_PORT11_TIP	TX_PORT27_TIP	TX_PORT43_TIP
11	TX_PORT10_RING	TX_PORT26_RING	TX_PORT42_RING

Pin	Signal Name Connector (0-15)	Signal Name Connector (16-31)	Signal Name Connector (32-47)
12	TX_PORT10_TIP	TX_PORT26_TIP	TX_PORT42_TIP
13	TX_PORT9_RING	TX_PORT25_RING	TX_PORT41_RING
14	TX_PORT9_TIP	TX_PORT25_TIP	TX_PORT41_TIP
15	TX_PORT8_RING	TX_PORT24_RING	TX_PORT40_RING
16	TX_PORT8_TIP	TX_PORT24_TIP	TX_PORT40_TIP
17	—	—	—
18	—	—	—
19	TX_PORT7_RING	TX_PORT23_RING	TX_PORT39_RING
20	TX_PORT7_TIP	TX_PORT23_TIP	TX_PORT39_TIP
21	TX_PORT6_RING	TX_PORT22_RING	TX_PORT38_RING
22	TX_PORT6_TIP	TX_PORT22_TIP	TX_PORT38_TIP
23	TX_PORT5_RING	TX_PORT21_RING	TX_PORT37_RING
24	TX_PORT5_TIP	TX_PORT21_TIP	TX_PORT37_TIP
25	TX_PORT4_RING	TX_PORT20_RING	TX_PORT36_RING
26	TX_PORT4_TIP	TX_PORT20_TIP	TX_PORT36_TIP
27	TX_PORT3_RING	TX_PORT19_RING	TX_PORT35_RING
28	TX_PORT3_TIP	TX_PORT19_TIP	TX_PORT35_TIP
29	TX_PORT2_RING	TX_PORT18_RING	TX_PORT34_RING
30	TX_PORT2_TIP	TX_PORT18_TIP	TX_PORT34_TIP
31	TX_PORT1_RING	TX_PORT17_RING	TX_PORT33_RING
32	TX_PORT1_TIP	TX_PORT17_TIP	TX_PORT33_TIP
33	TX_PORT0_RING	TX_PORT16_RING	TX_PORT32_RING
34	TX_PORT0_TIP	TX_PORT16_TIP	TX_PORT32_TIP
35	RX_PORT15_RING	RX_PORT31_RING	RX_PORT47_RING
36	RX_PORT15_TIP	RX_PORT31_TIP	RX_PORT47_TIP
37	RX_PORT14_RING	RX_PORT30_RING	RX_PORT46_RING
38	RX_PORT14_TIP	RX_PORT30_TIP	RX_PORT46_TIP

Pin	Signal Name Connector (0-15)	Signal Name Connector (16-31)	Signal Name Connector (32-47)
39	RX_PORT13_RING	RX_PORT29_RING	RX_PORT45_RING
40	RX_PORT13_TIP	RX_PORT29_TIP	RX_PORT45_TIP
41	RX_PORT12_RING	RX_PORT28_RING	RX_PORT44_RING
42	RX_PORT12_TIP	RX_PORT28_TIP	RX_PORT44_TIP
43	RX_PORT11_RING	RX_PORT27_RING	RX_PORT43_RING
44	RX_PORT11_TIP	RX_PORT27_TIP	RX_PORT43_TIP
45	RX_PORT10_RING	RX_PORT26_RING	RX_PORT42_RING
46	RX_PORT10_TIP	RX_PORT26_TIP	RX_PORT42_TIP
47	RX_PORT9_RING	RX_PORT25_RING	RX_PORT41_RING
48	RX_PORT9_TIP	RX_PORT25_TIP	RX_PORT41_TIP
49	RX_PORT41_TIP	RX_PORT24_RING	RX_PORT40_RING
50	RX_PORT8_TIP	RX_PORT24_TIP	RX_PORT40_TIP
51	—	—	—
52	—	—	—
53	RX_PORT7_RING	RX_PORT23_RING	RX_PORT39_RING
54	RX_PORT7_TIP	RX_PORT23_TIP	RX_PORT39_TIP
55	RX_PORT6_RING	RX_PORT22_RING	RX_PORT38_RING
56	RX_PORT6_TIP	RX_PORT22_TIP	RX_PORT38_TIP
57	RX_PORT5_RING	RX_PORT21_RING	RX_PORT37_RING
58	RX_PORT5_TIP	RX_PORT21_TIP	RX_PORT37_TIP
59	RX_PORT4_RING	RX_PORT20_RING	RX_PORT36_RING
60	RX_PORT4_TIP	RX_PORT20_TIP	RX_PORT36_TIP
61	RX_PORT3_RING	RX_PORT19_RING	RX_PORT35_RING
62	RX_PORT3_TIP	RX_PORT19_TIP	RX_PORT35_TIP
63	RX_PORT2_RING	RX_PORT18_RING	RX_PORT34_RING
64	RX_PORT2_TIP	RX_PORT18_TIP	RX_PORT34_TIP
65	RX_PORT1_RING	RX_PORT17_RING	RX_PORT33_RING

Pin	Signal Name Connector (0-15)	Signal Name Connector (16-31)	Signal Name Connector (32-47)
66	RX_PORT1_TIP	RX_PORT17_TIP	RX_PORT33_TIP
67	RX_PORT0_RING	RX_PORT16_RING	RX_PORT32_RING
68	RX_PORT0_TIP	RX_PORT16_TIP	RX_PORT32_TIP

The table below summarizes the 3G patch panel pinouts of the connectors that connects to the interface module (IM).

Table 23: 3G Patch Panel Pinout

Pin	Signal Name Connector (0-15)	Signal
1	TX_PORT15_RING	DS3
2	TX_PORT15_TIP	DS3
3	TX_PORT14_RING	DS3
4	TX_PORT14_TIP	DS3
5	TX_PORT13_RING	DS3
6	TX_PORT13_TIP	DS3
7	TX_PORT12_RING	DS3
8	TX_PORT12_TIP	DS3
9	TX_PORT11_RING	DS1
10	TX_PORT11_TIP	DS1
11	TX_PORT10_RING	DS1
12	TX_PORT10_TIP	DS1
13	TX_PORT9_RING	DS1
14	TX_PORT9_TIP	DS1
15	TX_PORT8_RING	DS1
16	TX_PORT8_TIP	DS1
17	—	—
18	—	—
19	TX_PORT7_RING	DS1

Pin	Signal Name Connector (0-15)	Signal
20	TX_PORT7_TIP	DS1
21	TX_PORT6_RING	DS1
22	TX_PORT6_TIP	DS1
23	TX_PORT5_RING	DS1
24	TX_PORT5_TIP	DS1
25	TX_PORT4_RING	DS1
26	TX_PORT4_TIP	DS1
27	TX_PORT3_RING	DS1
28	TX_PORT3_TIP	DS1
29	TX_PORT2_RING	DS1
30	TX_PORT2_TIP	DS1
31	TX_PORT1_RING	DS1
32	TX_PORT1_TIP	DS1
33	TX_PORT0_RING	DS1
34	TX_PORT0_TIP	DS1
35	RX_PORT15_RING	DS3
36	RX_PORT15_TIP	DS3
37	RX_PORT14_RING	DS3
38	RX_PORT14_TIP	DS3
39	RX_PORT13_RING	DS3
40	RX_PORT13_TIP	DS3
41	RX_PORT12_RING	DS3
42	RX_PORT12_TIP	DS3
43	RX_PORT11_RING	DS1
44	RX_PORT11_TIP	DS1
45	RX_PORT10_RING	DS1
46	RX_PORT10_TIP	DS1

Pin	Signal Name Connector (0-15)	Signal
47	RX_PORT9_RING	DS1
48	RX_PORT9_TIP	DS1
49	RX_PORT8_RING	DS1
50	RX_PORT8_TIP	DS1
51	—	—
52	—	—
53	RX_PORT7_RING	DS1
54	RX_PORT7_TIP	DS1
55	RX_PORT6_RING	DS1
56	RX_PORT6_TIP	DS1
57	RX_PORT5_RING	DS1
58	RX_PORT5_TIP	DS1
59	RX_PORT4_RING	DS1
60	RX_PORT4_TIP	DS1
61	RX_PORT3_RING	DS1
62	RX_PORT3_TIP	DS1
63	RX_PORT2_RING	DS1
64	RX_PORT2_TIP	DS1
65	RX_PORT1_RING	DS1
66	RX_PORT1_TIP	DS1
67	RX_PORT0_RING	DS1
68	RX_PORT0_TIP	DS1

Management Ethernet Port Pinout

A single management copper ENET port supporting 10/100/1000Base-T operation exists on each RSP. There is no direct access to the CPU of the other RSP. It uses a standard RJ45 jack.



Note This is not a data plane port.

The table below summarizes the Management Ethernet port pinout.

Table 24: Management Ethernet Port Pinout

Pin	Signal Name
1	TRP0+
2	TRP0-
3	TRP1+
4	TRP1-
5	TRP2+
6	TRP2-
7	TRP3+
8	TRP3-

USB Console Port Pinout

Two individual Type-A USB connector are used for USB console and USB mass storage. One single USB 2.0 Type-A receptacle is provided on the RSP front panel for providing console access to ROMMON, IOS-XE and diagnostics. It operates as a USB peripheral only for connection to an external host PC. This requires the use of a Type-A to Type-A connector instead of a standard USB cable.



Note The use of the USB console is mutually exclusive with the RS232 console/Aux port. While a USB cable is inserted, access is automatically switched to this port.

The other single USB 2.0 Type-A receptacle is provided on the RSP front panel for inserting external USB mass storage devices such as standard USB flash drives. It is used to load images, store configurations, write logs, etc. It supports operation up to 12Mbps.

The table below summarizes the USB console port pinout.

Table 25: Single USB Console Port

Pin	Signal Name	Direction	Description
A1	Vcc	—	+5VDC (500mA)

Pin	Signal Name	Direction	Description
A2	D-	—	Data -
A3	D+	—	Data +
A4	Gnd	—	Ground



Note The USB Console port +5VDC is input and operates as an USB peripheral device.

USB Flash/MEM Port Pinout

The table below summarizes the USB flash/MEM port pinout.

Table 26: Single USB Flash/MEM Port

Pin	Signal Name	Direction	Description
A1	Vcc	—	+5VDC (500mA)
A2	D-	—	Data -
A3	D+	—	Data +
A4	Gnd	—	Ground



Note USB TYPE-A receptacle used.



Note The USB flash/MEM port +5VDC is output. We provide power for USB flash/MEM, and it operates as a USB host device.

Fiber-Optic Specifications

The specification for optical fiber transmission defines two types of fiber:

- single-mode
- multimode

Within the single-mode category, three transmission types are defined: short reach, intermediate reach, and long reach. Within the multimode category, only short reach is available. For information about optical SFP modules, see the documentation for the SFP module at:

http://www.cisco.com/en/US/partner/products/hw/modules/ps5455/prod_installation_guides_list.html.

LED Summary

The sections describe the meanings of the LEDs on the Cisco NCS 4216 14RU.

RSP LEDs

The *RSP LEDs* table below summarizes the RSP LEDs.



Note A major alarm condition indicates the failure of a single fan in the fan tray; a critical alarm indicates the failure of multiple fans. In the event that a single fan fails, the Cisco NCS 4216 14RU software adjusts the fan speed to prevent excessive heat within the chassis.

NCS4216-RSP LED

Table 27: RSP LEDs

LED	Color/State	Description (two LEDs for each port)
Power (PWR)	Off	Disabled/no power to RSP
	Green	Power rails on RSP in range
Status (STAT)	Off	Disabled/power down
	Red	Failure to boot (lit at reset)
	Yellow	Rommon booted
	Green	IOS booted and running
Active (ACT)	Off	Not available
	Yellow	Standby (indicates standby RSP)
	Green	Active (indicates active RSP)
Management port (MGMT)	Off	No connection
	Green	Connected with no activity
	Flashing green	Connected with activity

LED	Color/State	Description (two LEDs for each port)
Sync status (SYNC)	Off	Not enabled
	Yellow	Free run
	Flashing yellow	Holdover
	Green	Locked to source
USB flash (MEM)	Flashing green	USB activity
BITS	Off	Out of service/not configured
	Amber	Fault or loop condition
	Green	In frame/working properly

NCS4216-RSP-800 LED

Table 28: RSP LEDs

LED	Color/State	Description (two LEDs for each port)
Power (PWR)	Off	Disabled/no power to RSP
	Green	Power rails on RSP in range
Status (STAT)	Off	Disabled/power down
	Red	Failure to boot (lit at reset)
	Yellow	Rommon booted
	Green	IOS booted and running
Active (ACT)	Off	Not available
	Yellow	Standby (indicates standby RSP)
	Green	Active (indicates active RSP)
Management port (MGMT)	Off	No connection
	Green	Connected with no activity
	Flashing green	Connected with activity

LED	Color/State	Description (two LEDs for each port)
Sync status (SYNC)	Off	Not enabled
	Yellow	Free run
	Flashing yellow	Holdover
	Green	Locked to source
BITS	Off	Out of service/not configured
	Amber	Fault or loop condition
	Green	In frame/working properly

Table 29: RSP4 LED Details

PWR	STATS	Active/Standby	SYNC LED	PWR DWN LED	Indication
Light Green	—	—	—	—	Power OK
OFF	Flashing Red	—	—	—	Secure Jtag error
OFF	Amber	—	—	—	BIOS Image validation failure
—	OFF	Yellow	—	—	Micro-controller Sub-system not ready
—	OFF	Amber	—	—	TAM init failure
OFF	OFF	Blinking Yellow	—	—	TAM not ready
OFF	Red	—	—	—	FPGA PLL failure
OFF	OFF	OFF	—	Flashing Yellow	Thermal Shutdown
OFF	OFF	OFF	—	Yellow	Software triggered shutdown
OFF	OFF	OFF	—	Green	Peer RSP shutdown

NCS4216-RSP LED Fault Condition

The PWR and STAT LEDs are available on the front panel. These LEDs provide power on the board (PWR) and overall router health (STAT) status. During power up state, these LEDs provide booting status and report errors.



Note The digital code signing functionality validates the integrity and authenticity of the ROMMON image before booting it.

Table 30: NCS4216-RSP LED

PWR LED State	STAT LED State	Indication	Comment
Light Green	Red	Power is OK and the field-programmable gate array (FPGA) is nfigured successfully, but FPGA image validation failed.	Image validation failed. System is in hung state.
Flashing Light Green and Green alternatively	Off	FPGA configured and core validated successfully. FPGA image passed the control to micro-loader to boot ROMMON.	System is up with ROMMON. Both the FPGA image is validated successfully, but the booted ROMMON (primary or secondary) is undetermined.
	Amber	The digital code signing functionality reported upgrade FPGA image validation error and is continuing with the FPGA image.	System is up with ROMMON. FPGA image is validated successfully, but the booted ROMMON (primary or secondary) is undetermined.
	Red	The digital code signing functionality reported failure in the ROMMON image validation.	FPGA is up but both primary and secondary ROMMON failed. System is in hung state.
Green	Off	IOS is successfully booted	IOS writes into FPGA register to indicate that it has booted, FPGA stops flashing PWR LED and turns Green. Software now controls the STAT LED.

Interface Module LEDs

This LED summary applies to the following interface modules:

- 8x1 Gigabit Ethernet SFP + 1x10 Gigabit Ethernet SFP+ Interface Module
- 1-port OC-192 Interface Module with 8-port Low Rate CEM Interface Module (10G HO / 10G LO)
- 2-port 40 Gigabit Ethernet Interface Module (2X40GE)
- 1-port 100 Gigabit Ethernet (QSFP) Interface Module (2X100GE)
- 1-port 100 Gigabit Ethernet Interface Module (1X100GE)
- 8-port 10 Gigabit Ethernet Interface Module (8X10GE)
- 48-port T1/E1 TDM Interface Module (48XT1/E1)
- 48-port T3/E3 TDM Interface Module (48XT3/E3)

- 8/16-port 1 Gigabit Ethernet (SFP/SFP) + 1-port 10 Gigabit Ethernet (SFP+) / 2-port 1 Gigabit Ethernet (CSFP) Interface Module

The Status LED is Amber for the 10 Gigabit Ethernet ports when operating in WAN mode for the following IMS:

- 8x1 Gigabit Ethernet SFP + 1x10 Gigabit Ethernet SFP+ Interface Module

Table 31: Interface Module LEDs

LED	Color/State	Description
Power (PWR)	Off	Disabled/no power to IM
	Green	Enabled and power rails on IM in range
Status (STAT)	Off	Disabled/power-down
	Red	Failure (on at reset)
	Flashing Red	Booting (if local CPU)
	Green	Operational
Link status (L)	Off	Inactive or no connection
	Amber	Fault/loop condition
	Green	Ok with activity or no activity
Speed (S)	Off	Inactive port status
	Green	Activity or no activity

OC-192 Interface Module with 8-port Low Rate CEM Interface Module (10G HO / 10G LO) Interface Module LEDs

The table below summarizes the LEDs for the OC-192 Interface Module with 8-port Low Rate CEM Interface Module (10G HO / 10G LO) interface module.

Table 32: OC-192 Interface Module with 8-port Low Rate CEM Interface Module (10G HO / 10G LO) Interface Module LEDs

LED	Color or State	Description
Power (PWR)	Green	All power rails are within specification
	Red	Disabled
	Off	No power to IM

LED	Color or State	Description
Status (STAT)	Green	Operational
	Red	Failure
	Off	Disabled
SFP Link (left LED)	Green	Link is up
	Yellow	Fault/Error/Alarm
	Off	Disabled
SFP speed mode (right LED)	Yellow	SONET/SDH
	Off	Disabled
10G SFP+ Link (left LED)	Green	Link is up
	Yellow	Fault/Error/Alarm
	Off	Disabled
10G SFP+ Speed mode (right LED)	Yellow	SONET/SDH
	Off	Disabled

48 T1/E1 and 48 T3/E3 Interface Module LEDs

The table below summarizes the LEDs for the 48 T1/E1 and 48 T3/E3 interface module.

Table 33: 48 T1/E1 and 48 T3/E3 Interface Module LEDs

LED	Color/State	Meaning (Default=off)
Power (PWR)	Green	All power rails are within spec
	Red	Disabled
	Off	No power to Interface Module
Operating Status (STATUS)	Green	Operational
	Red	Failure
	Off	Disabled or power-down
Port Status (PORT)	Green	All ports are UP
	Amber	All least one port is down
	Off	All ports are disabled or shut down

LED	Color/State	Meaning (Default=off)
Activity Status (ACT)	Green	Interface Module is Active or Standby
	Off	Interface Module is disabled or shut down

8-port 10 Gigabit Ethernet Interface Module LEDs

The table below summarizes the 8-port 10 Gigabit ethernet interface module.

Table 34: 8-port 10 Gigabit ethernet Interface Module LEDs

LED	Color/State	Description
Power (PWR)	Green	All power rails are within specification
	Red	Disabled
	Off	No power to Interface Module
Operating Status (STAT)	Red	Failure
	Off	Disabled or Power-Down
	Green	Operational
10G SFP+ Link (Left LED)	Off	Disabled or No link
	Yellow	Fault or Error
	Green	Link with no activity
	Green	Link with activity
10G SFP+ Speed/Mode (Right LED)	Yellow	10Gbps WAN
	Green	10 Gbps LAN
	Alternating Yellow or Green	10 Gbps OTN
	Off	Disabled

1-port 100 Gigabit Ethernet Interface Module LEDs

The table below summarizes the 1-port 100 Gigabit ethernet interface module.

Table 35: 1-port 100 Gigabit Ethernet Interface Module LEDs

LED	Color/State	Description
Power (PWR)	Green	All power rails are within specification
	Red	Disabled
	Off	No power to Interface Module

LED	Color/State	Description
Operating Status (STAT)	Red	Failure
	Off	Disabled or Power-Down
	Green	Operational
100G CPAK Link LED	Off	Disabled or No link
	Yellow	Fault or Error
	Green	Link with activity
	Green	Link with no activity

2-port 40 Gigabit Ethernet Interface Module LEDs

The table below summarizes the 2-port 40 Gigabit ethernet interface module.

Table 36: 2-port 40 Gigabit Ethernet Interface Module LEDs

LED	Color/State	Description
Power (PWR)	Green	All power rails are within spec
	Red	Disabled
	Off	No power to Interface Module
Operating Status (STAT)	Red	Failure
	Off	Disabled or Power-Down
	Green	Operational
40G QSFP+ Link LED	Off	Disabled or No link
	Yellow	Fault or Error
	Green	Link with activity
	Green	Link with no activity

Power Supply LEDs

The table below summarizes the power supply LEDs for both the AC and DC power supplies.

Table 37: Power Supply LEDs

LED	Color/State	Description
Input OK	Off	No Input Voltage
	Amber	Input voltage out of range
	Green	Input voltage within acceptable operating range
Output Fail	Off	Disabled/Forced Shut down/No input power
	Red	Power supply fault (internal failure such as over temperature)
	Green	Operational
	Blinking Red	Output ORING FET Failed

Table 38: Power Supply LEDs

LED	Color/State	Description
Input Power (PWR)	Off	No input voltage
	Amber	Input voltage out of range
	Green	Input voltage within acceptable operating range
Status (STAT)	Off	Disabled/power-down/no power
	Red	Power supply fault (internal failure)
	Green	Operational

Fan Tray LEDs

The table below summarizes the fan tray LEDs.

Table 39: Fan Tray LEDs

LED	Color/State	Description
Status (TEMP)	Off	Disabled/power down
	Amber	Over temperature
	Green	OK
Minor (MIN)	Off	No minor alarm
	Amber	Minor alarm

LED	Color/State	Description
Major (MAJ)	Off	No major alarm
	Red	Major alarm
Critical (CRIT)	Off	No critical alarm
	Red	Critical alarm (defaults to ON upon RSP reset)
Fan 1 (FAN-1)	Green	Fan rotation in range
	Red	One or more fan fault
Fan 2 (FAN-2)	Green	Fan rotation in range
	Red	One or more fan fault
Fan 3 (FAN-3)	Green	Fan rotation in range
	Red	One or more fan fault
-48V_A feed (-48V_A)	Green	Feed is in range
	Red	Feed failure
-48V_B feed (-48V_B)	Green	Feed is in range
	Red	Feed failure

Alarm Conditions

The table below summarizes the meaning of alarm conditions on the Cisco NCS 4216 14RU.

Table 40: Alarm Condition Summary

Alarm Type	Alarm Meaning
Critical	RSP OIR
	Power supply OIR
	Port in down state
	Environmental sensor threshold exceeded (voltage, temperature)
	IM OIR
	IM crash
	FAN OIR (top or bottom fan tray)

Alarm Type	Alarm Meaning
Major	Standby RSP in ROMmon mode
	RSP removed
	RSP failure
Info	Port administratively shut down

CLI Commands

The below use case helps you to troubleshoot fans behavior in the Cisco NCS 4216 14RU chassis. Following are the different slots, where fan trays are installed:

- Slot P2 - Top fan tray
- Slot P4 - Bottom fan tray
- Slot P5 - PSU fan tray

The following example shows the fans behavior during a PSU fan tray On-line insertion/removal (OIR):

```

Device#
*Feb 6 03:39:12.112: %IOSXE_PEM-6-REMPER_FM: PEM/FM slot P5 removed
*Feb 6 03:39:17.115: %CMRP-3-FAN_REMOVE_SHUT: F0: cmand: The system will shut down in 3
minutes 36 seconds
Device# show profile
Chassis type: NCS4216-F2B-SA

Slot          Type                State                Insert time (ago)
-----
R0            NCS4216-RSP        ok, active           00:26:46
F0            NCS4216-RSP        ok, active           00:26:46
P0            A900-PWR-900D2     ok                   00:24:42
P1            A900-PWR-900D2     ok                   00:24:39
P2            NCS4216-F2B-FAN    ok                   00:24:32
P3            A900-PWR-900D2     ok                   00:24:36
P4            NCS4216-F2B-FAN    ok                   00:24:28
P5            NCS4216-PWR-FAN    ok                   00:24:26

Slot          CPLD Version        Firmware Version
-----
R0            16112128            12.2 (20161108:153419)
F0            16112128            12.2 (20161108:153419)
    
```

The following example shows the fans behavior when two of the fans in PSU fan tray fail to function:

```

Device#
*Feb 6 03:40:36.693: %IOSXE_PEM-3-FANFAIL: The fan in slot P5/4 is encountering a failure
condition
*Feb 6 03:40:36.693: %IOSXE_PEM-3-FANFAIL: The fan in slot P5/5 is encountering a failure
condition
Device# show profile
Chassis type: NCS4216-F2B-SA
    
```

Slot	Type	State	Insert time (ago)
R0	NCS4216-RSP	ok, active	00:09:04
F0		ok, active	00:09:04
P0	A900-PWR-900D2	ok	00:08:02
P1	A900-PWR-900D2	ok	00:08:04
P2	NCS4216-F2B-FAN	ok	00:06:59
P3	A900-PWR-900D2	ok	00:07:02
P4	NCS4216-F2B-FAN	ok	00:06:55
P5	NCS4216-PWR-FAN	f4, f5, fail	00:00:25

Slot	CPLD Version	Firmware Version
R0	16112128	12.2(20161108:153419)
F0	16112128	12.2(20161108:153419)

The following example shows the fans behavior when six of the fans in PSU fan tray fail to function:

```
Device#
*Feb 6 07:01:39.088: %IOSXE_PEM-3-FANFAIL: The fan in slot P5/0 is encountering a failure
condition
*Feb 6 07:01:39.088: %IOSXE_PEM-3-FANFAIL: The fan in slot P5/1 is encountering a failure
condition
*Feb 6 07:01:39.089: %IOSXE_PEM-3-FANFAIL: The fan in slot P5/2 is encountering a failure
condition
*Feb 6 07:01:39.089: %IOSXE_PEM-3-FANFAIL: The fan in slot P5/3 is encountering a failure
condition
*Feb 6 07:01:39.089: %IOSXE_PEM-3-FANFAIL: The fan in slot P5/4 is encountering a failure
condition
*Feb 6 07:01:39.118: %IOSXE_PEM-3-FANFAIL: The fan in slot P5/5 is encountering a failure
condition
```

```
Device# show profile
Chassis type: NCS4216-F2B-SA
```

Slot	Type	State	Insert time (ago)
R0	NCS4216-RSP	ok, active	00:10:07
F0		ok, active	00:10:07
P0	A900-PWR-900D2	ok	00:09:05
P1	A900-PWR-900D2	ok	00:09:03
P2	NCS4216-F2B-FAN	ok	00:08:05
P3	A900-PWR-900D2	ok	00:07:56
P4	NCS4216-F2B-FAN	ok	00:08:01
P5	NCS4216-PWR-FAN	f0, f1, f2, f3, f4, f500:01:16	

Slot	CPLD Version	Firmware Version
R0	16112128	12.2(20161108:153419)
F0	16112128	12.2(20161108:153419)

```
Device#
*Feb 6 07:03:10.168: %IOSXE_PEM-6-REMPER_FM: PEM/FM slot P5 removed
*Feb 6 07:03:15.170: %CMRP-3-FAN_REMOVE_SHUT: F0: cmand: The system will shut down in 4
minutes 4 seconds
```

```
Device# show profile
Chassis type: NCS4216-F2B-SA
```

Slot	Type	State	Insert time (ago)
R0	NCS4216-RSP	ok, active	00:11:03
F0		ok, active	00:11:03
P0	A900-PWR-900D2	ok	00:08:05

```

P1      A900-PWR-900D2      ok      00:08:03
P2      NCS4216-F2B-FAN    ok      00:09:01
P3      A900-PWR-900D2      ok      00:08:53
P4      NCS4216-F2B-FAN    ok      00:08:58
P5      NCS4216-PWR-FAN    ok      00:07:00

Slot    CPLD Version      Firmware Version
-----
R0      16112128              12.2(20161108:153419)
F0      16112128              12.2(20161108:153419)
Device#
*Feb 6 07:03:38.307: %IOSXE_PEM-6-INSPEM_FM: PEM/FM slot P5 inserted
Device# show profile
Chassis type: NCS4216-F2B-SA

Slot    Type                State                Insert time (ago)
-----
R0      NCS4216-RSP          ok, active           00:11:09
F0      NCS4216-RSP          ok, active           00:11:09
P0      A900-PWR-900D2       ok                   00:08:05
P1      A900-PWR-900D2       ok                   00:08:03
P2      NCS4216-F2B-FAN     ok                   00:09:06
P3      A900-PWR-900D2       ok                   00:08:58
P4      NCS4216-F2B-FAN     ok                   00:09:03
P5      NCS4216-PWR-FAN     ok                   00:00:03

Slot    CPLD Version      Firmware Version
-----
R0      16112128              12.2(20161108:153419)
F0      16112128              12.2(20161108:153419)

```

The following example shows the fans behavior with their temperature levels, during a normal function:

```

Device# show environment
Number of Critical alarms: 0
Number of Major alarms: 0
Number of Minor alarms: 0

Slot    Sensor              Current State      Reading      Threshold(Minor,Major,Critical,Shutdown)
-----
P2      VIN                  Normal             43          V DC na
P2      IIN                  Normal             1           A na
P2      VOUT                 Normal             12          V DC na
P2      Temp: FC PWM1       Fan Speed 25%     22          Celsius(0 ,11 ,41 ) (Celsius)
P3      PEM Iout             Normal             13          A na
P3      PEM Vout             Normal             12          V DC na
P3      PEM Vin              Normal             230         V AC na
P3      Temp: Temp 1        Normal             28          Celsius(100,100,100,105) (Celsius)
P3      Temp: Temp 2        Normal             26          Celsius(80 ,80 ,80 ,85 ) (Celsius)
P4      VIN                  Normal             43          V DC na
P4      IIN                  Normal             1           A na
P4      VOUT                 Normal             12          V DC na
P4      Temp: FC PWM1       Fan Speed 25%     21          Celsius(0 ,11 ,41 ) (Celsius)
P5      Temp: FC PWM3       Fan Speed 25%     22          Celsius(0 ,11 ,41 ) (Celsius)
R0      VADM : VX3          Normal             1004        mV na
R0      VADM : VX4          Normal             1003        mV na
R0      VADM : VX5          Normal             1504        mV na
R0      VADM : VP1          Normal             1000        mV na
R0      VADM : VP2          Normal             900         mV na
R0      VADM : VP3          Normal             901         mV na
R0      VADM : VP4          Normal             3312        mV na
R0      VADM : VH           Normal             12144       mV na

```



```

R0 VADM : AUX1 Normal 1003 mV na
R0 VADM : AUX2 Normal 1007 mV na
R0 Temp: ARAD+0 Normal 52 Celsius(95 ,102,108,112) (Celsius)
R0 Temp: Inlet Normal 30 Celsius(70 ,75 ,80 ,100) (Celsius)
R0 Temp: ARAD+1 Normal 52 Celsius(95 ,102,108,112) (Celsius)
R0 Temp: Outlet Normal 41 Celsius(80 ,85 ,90 ,105) (Celsius)
R0 CPU Normal 996 mV na
R0 DIMM Normal 1341 mV na
R0 1V8 Normal 1796 mV na
R0 PCIE Normal 996 mV na
R0 FPGA Normal 1046 mV na
R0 ADN Normal 2494 mV na
    
```


Manufacturers

The table below lists the manufacturers for equipment used with the Cisco NCS 4216 14RU router.

Table 42: Manufacturers

Manufacturer	Web Site or Phone Number	Products/Model
Burndy	http://www.burndy.com	Lugs