



Troubleshooting Guide for Cisco NCS 1010, IOS XR Releases 7.11.x, 24.2.x, and 24.3.x

First Published: 2023-12-08

Last Modified: 2024-04-05

Americas Headquarters

Cisco Systems, Inc.
170 West Tasman Drive
San Jose, CA 95134-1706
USA
<http://www.cisco.com>
Tel: 408 526-4000
800 553-NETS (6387)
Fax: 408 527-0883



CONTENTS

CHAPTER 1

Troubleshooting of Infrastructure Alarms 1

LICENSE-COMM-FAIL 2

Clear LICENSE-COMM-FAIL Alarm 2

DISASTER_RECOVERY_UNAVAILABLE_ALARM 2

Clear the Disaster Recovery Unavailable Alarm 2

ESD_INIT_ERR_E 3

Clear the ESD_INIT_ERR_E Alarm 3

PORT_AUTO_TUNE_ERR_E 3

Clear the PORT_AUTO_TUNE_ERR_E Alarm 3

PORT_INIT_ERR_E 3

Clear the PORT_INIT_ERR_E Alarm 3

SPI_FLASH_CFG_INIT_ERR_E 4

Clear the SPI_FLASH_CFG_INIT_ERR_E Alarm 4

SWITCH_ALL_PORTS_DOWN_ERR_E 4

Clear the SWITCH_ALL_PORTS_DOWN_ERR_E Alarm 4

SWITCH_CFG_INIT_ERR_E 5

Clear the SWITCH_CFG_INIT_ERR_E Alarm 5

SWITCH_CRITICAL_PORT_FAILED_E 5

Clear the SWITCH_CRITICAL_PORT_FAILED_E Alarm 5

SWITCH_DMA_ERR_E 5

Clear the SWITCH_DMA_ERR_E Alarm 6

SWITCH_EEPROM_INIT_ERR_E 6

Clear the SWITCH_EEPROM_INIT_ERR_E Alarm 6

SWITCH_FDB_ERR_E 6

Clear the SWITCH_FDB_ERR_E Alarm 6

SWITCH_FDB_MAC_ADD_ERR_E 7

Clear the SWITCH_FDB_MAC_ADD_ERR_E Alarm 7

SWITCH_FIRMWARE_BOOT_FAIL_E 7

Clear the SWITCH_FIRMWARE_BOOT_FAIL_E Alarm 7

SWITCH_NOT_DISCOVERED_E 7

Clear the SWITCH_NOT_DISCOVERED_E Alarm 7

SWITCH_RESET_RECOVERY_FAILED_E 8

Clear the SWITCH_RESET_RECOVERY_FAILED_E Alarm 8

UNSTABLE_LINK_E 8

Clear the UNSTABLE_LINK_E Alarm 8

FAN FAIL 8

Clear the FAN FAIL Alarm 9

FAN SPEED SENSOR 0: OUT OF TOLERANCE FAULT 9

Clear the FAN SPEED SENSOR 0: OUT OF TOLERANCE FAULT Alarm 9

FAN-POWER-ERROR 9

Clear the FAN-POWER-ERROR Alarm 9

FAN-TRAY-ABSENT 10

Clear the FAN-TRAY-REMOVAL Alarm 10

FPD IN NEED UPGD 10

Clear the FPD IN NEED UPGD Alarm 10

INSTALL IN PROGRESS 11

Clear the INSTALL IN PROGRESS Alarm 11

NODE-UNPAIRED-FROM-BAND-PARTNER NODE Alarm 11

Clear NODE-UNPAIRED-FROM-BAND-PARTNER-NODE Alarm 11

OPTICAL-MOD-ABSENT 11

Clear the Optical MOD Absent Alarm 12

OUT_OF_COMPLIANCE 12

Clear Out of Compliance Alarm 12

PID-MISMATCH 13

Clear the PID-MISMATCH Alarm 13

POWER MODULE OUTPUT DISABLED 13

Clear the POWER MODULE OUTPUT DISABLED Alarm 13

POWER-MODULE-REDUNDANCY-LOST 13

Clear the POWER-MODULE-REDUNDANCY-LOST Alarm 14

SIA_GRACE_PERIOD_REMAINING 14

Clear SIA Grace Period Remaining	14
SIA_UPGRADE_BLOCKED	15
Clear SIA Grace Period Remaining	15
TACACS Server Down	15
Clear the TACACS Server Down Alarm	15
TEMPERATURE	15
Clear the TEMPERATURE Alarm	16
UPGRADE_LICENSE_GRACE_PERIOD_REMAINING	16
UPGRADE_LICENSE_GRACE_PERIOD_REMAINING	16
VOLTAGE	16
Clear the VOLTAGE Alarm	17

CHAPTER 2
Troubleshooting of Data Path Alarms 19

CHANNEL-NOISE-LOADED	19
Clear the CHANNEL-NOISE-LOADED Alarm	20
EGRESS-AMPLI-GAIN-HIGH	20
Clear the EGRESS-AMPLI-GAIN-HIGH Alarm	20
EGRESS-AMPLI-GAIN-LOW	20
Clear the EGRESS-AMPLI-GAIN-LOW Alarm	21
EGRESS-AUTO-LASER-SHUT	21
Clear the EGRESS-AUTO-LASER-SHUT Alarm	21
EGRESS-AUTO-POW-RED	21
Clear the EGRESS-AUTO-POW-RED Alarm	22
HIGH-RX-BR-PWR	22
Clear the HIGH-RX-BR-PWR Alarm	22
HIGH-TX-BR-PWR	22
Clear the HIGH-TX-BR-PWR Alarm	22
INGRESS-AMPLI-GAIN-HIGH	23
Clear the INGRESS-AMPLI-GAIN-HIGH Alarm	23
INGRESS-AMPLI-GAIN-LOW	23
Clear the INGRESS-AMPLI-GAIN-LOW Alarm	23
INGRESS-AUTO-LASER-SHUT	24
Clear the INGRESS-AUTO-LASER-SHUT Alarm	24
INGRESS-AUTO-POW-RED	24

Clear the INGRESS-AUTO-POW-RED Alarm 24

RAMAN-AUTO-LASER-SHUT 25

Clear the RAMAN-AUTO-LASER-SHUT Alarm 25

RAMAN-AUTO-POW-RED 25

Clear the RAMAN-AUTO-POW-RED Alarm 25

RAMAN-[1-5]-HIGH-PWR 25

Clear the RAMAN-[1-5]-HIGH-PWR Alarm 26

RAMAN-[1-5]-LOW-PWR 26

Clear the RAMAN-[1-5]-LOW-PWR Alarm 26

RX-LOC 26

Clear the RX-LOC Alarm 27

RX-LOS-P 27

Clear the RX-LOS-P Alarm 27

SPAN-TOO-SHORT-RX 28

Clear the SPAN-TOO-SHORT-RX Alarm 28

SPAN-TOO-SHORT-TX 28

Clear the SPAN-TOO-SHORT-TX Alarm 28

TD-FAILED 28

Clear the TD-FAILED Alarm 29

TD-INPROGRESS 29

Clear the TD-INPROGRESS Alarm 29

TD-SUCCESS 29

Clear the TD-SUCCESS Alarm 29

TG-INPROGRES 30

Clear the TG-INPROGRES Alarm 30

TX-POWER-FAIL-LOW 30

Clear the TX-POWER-FAIL-LOW Alarm 30

CHAPTER 3

Troubleshooting of Optical Application Alarms 31

APC-BLOCKED-RX 31

Clear the APC-BLOCKED-RX Alarm 32

APC-BLOCKED-TX 32

Clear the APC-BLOCKED-TX Alarm 33

APC-OUT-OF-RANGE-TX 33

Clear the APC-OUT-OF-RANGE-TX Alarm	33
APC-OUT-OF-RANGE-RX	34
Clear the APC-OUT-OF-RANGE-RX Alarm	34
APC-PARTIAL-TOPOLOGY	34
Clear the APC-PARTIAL-TOPOLOGY Alarm	35
RAMAN-TUNE-FAILED	35
Clear the RAMAN-TUNE-FAILED Alarm	35
RAMAN-TUNE-GAIN-UNREACHABLE	35
Clear the RAMAN_TUNE_GAIN_UNREACHABLE Alarm	36
RAMAN-TUNE-IN-PROGRESS	36
Clear the RAMAN-TUNE-IN-PROGRESS Alarm	36
RAMAN-TURNUP-FAIL	36
Clear the RAMAN-TURNUP-Fail Alarm	36
SPAN-LOSS-OUT-OF-RANGE	37
Clear the SPAN-LOSS-OUT-OF-RANGE Alarm	37
APC-TARGET-PSD-NOT-MET-RX	37
Clear the APC-TARGET-PSD-NOT-MET-RX Alarm	38
APC-TARGET-PSD-NOT-MET-TX	38
Clear the APC-TARGET-PSD-NOT-MET-TX Alarm	38
OTDR-ABS-ATTENUATION-EXCEEDED-RX	39
Clear the OTDR-ABS-ATTENUATION-EXCEEDED-RX Alarm	39
OTDR-ABS-ATTENUATION-EXCEEDED-TX	39
Clear the OTDR-ABS-ATTENUATION-EXCEEDED-TX Alarm	39
OTDR-ABS-ORL-EXCEEDED-RX	40
Clear the OTDR-ABS-ORL-EXCEEDED-RX Alarm	40
OTDR-ABS-ORL-EXCEEDED-TX	40
Clear the OTDR-ABS-ORL-EXCEEDED-TX Alarm	40
OTDR-ABS-REFLECTANCE-EXCEEDED-RX	41
Clear the OTDR-ABS-REFLECTANCE-EXCEEDED-RX Alarm	41
OTDR-ABS-REFLECTANCE-EXCEEDED-TX	41
Clear the OTDR-ABS-REFLECTANCE-EXCEEDED-TX Alarm	41
OTDR-SCAN-FAILED-RX	42
Clear the OTDR-SCAN-FAILED-RX Alarm	42
OTDR-SCAN-FAILED-TX	42

Clear the OTDR-SCAN-FAILED-TX Alarm 42

OTDR-SCAN-IN-PROGRESS-RX 42

Clear the OTDR-SCAN-IN-PROGRESS-RX Alarm 43

OTDR-SCAN-IN-PROGRESS-TX 43

Clear the OTDR-SCAN-IN-PROGRESS-TX Alarm 43

CHAPTER 4

General Troubleshooting 45

Troubleshooting L Band Failure on a C+L Band Network 45

Troubleshooting C Band Failure on a C+L Band Network 48

Troubleshooting Span Failure on a C+L Band Network 51

Troubleshooting RP or LC Warm Reload on a C+L Band Network 54

Troubleshooting Client-Side Failure 57

Troubleshooting Line Port SPAN Failure 59

Troubleshooting Express Connection Failure Between Two Passive Devices 62

Troubleshooting Power Oscillation in the Network 64

Troubleshooting Connection Verification Failures 65

CHAPTER 5

Alarm Propagation Scenarios 73

Unidirectional Fiber Cut on Line 73

Bidirectional Fiber Cut on Line 75

Fiber Cut Between CCMD and OLT 77

High Back Reflection Condition on Line Tx Port 78

High Back Reflection Condition on Line Rx RAMAN Port 79

High Span Loss on Line Tx Port 80

High Span Loss on Line Rx Port 81

Single Channel Failure due to Bidirectional Fiber Cut on Line 82

Single Channel Failure due to Unidirectional Fiber Cut at TXP-Tx 83

Single Channel Failure due to Unidirectional Fiber Cut at TXP-Rx 84



CHAPTER 1

Troubleshooting of Infrastructure Alarms

This chapter provides a description, severity, and troubleshooting procedure for each commonly encountered Cisco NCS 1010 infrastructure alarm and condition. When an alarm is raised, refer to its clearing procedure.

- [LICENSE-COMM-FAIL](#), on page 2
- [DISASTER_RECOVERY_UNAVAILABLE_ALARM](#), on page 2
- [ESD_INIT_ERR_E](#), on page 3
- [PORT_AUTO_TUNE_ERR_E](#), on page 3
- [PORT_INIT_ERR_E](#), on page 3
- [SPI_FLASH_CFG_INIT_ERR_E](#), on page 4
- [SWITCH_ALL_PORTS_DOWN_ERR_E](#), on page 4
- [SWITCH_CFG_INIT_ERR_E](#), on page 5
- [SWITCH_CRITICAL_PORT_FAILED_E](#), on page 5
- [SWITCH_DMA_ERR_E](#), on page 5
- [SWITCH_EEPROM_INIT_ERR_E](#), on page 6
- [SWITCH_FDB_ERR_E](#), on page 6
- [SWITCH_FDB_MAC_ADD_ERR_E](#), on page 7
- [SWITCH_FIRMWARE_BOOT_FAIL_E](#), on page 7
- [SWITCH_NOT_DISCOVERED_E](#), on page 7
- [SWITCH_RESET_RECOVERY_FAILED_E](#), on page 8
- [UNSTABLE_LINK_E](#), on page 8
- [FAN FAIL](#), on page 8
- [FAN SPEED SENSOR 0: OUT OF TOLERANCE FAULT](#), on page 9
- [FAN-POWER-ERROR](#), on page 9
- [FAN-TRAY-ABSENT](#), on page 10
- [FPD IN NEED UPGD](#), on page 10
- [INSTALL IN PROGRESS](#) , on page 11
- [NODE-UNPAIRED-FROM-BAND-PARTNER NODE Alarm](#), on page 11
- [OPTICAL-MOD-ABSENT](#), on page 11
- [OUT_OF_COMPLIANCE](#), on page 12
- [PID-MISMATCH](#), on page 13
- [POWER MODULE OUTPUT DISABLED](#), on page 13
- [POWER-MODULE-REDUNDANCY-LOST](#), on page 13
- [SIA_GRACE_PERIOD_REMAINING](#), on page 14
- [SIA_UPGRADE_BLOCKED](#), on page 15

- TACACS Server Down, on page 15
- TEMPERATURE, on page 15
- UPGRADE_LICENSE_GRACE_PERIOD_REMAINING, on page 16
- VOLTAGE, on page 16

LICENSE-COMM-FAIL

Default Severity: Major(MJ), Non-Service-Affecting (NSA)

Logical Object: plat_sl_client

The LICENSE-COMM-FAIL alarm is raised when the device is not able to communicate with the Cisco license cloud server.

Clear LICENSE-COMM-FAIL Alarm

This alarm is cleared when the communication with the Cisco cloud license server is restored.

If the alarm does not clear, contact your Cisco account representative or log into the Technical Support Website at <http://www.cisco.com/c/en/us/support/index.html> for more information or call Cisco TAC (1 800 553-2447).

DISASTER_RECOVERY_UNAVAILABLE_ALARM

Default Severity: Major(MJ), Non-Service-Affecting (NSA)

Logical Object: Instorch

The DISASTER_RECOVERY_UNAVAILABLE_ALARM is triggered when the chassis SSD image is corrupted or the system operates with uncommitted software.

Clear the Disaster Recovery Unavailable Alarm

This alarm clears automatically after the upgrade from a lower release to a higher release. The upgrade process completes after running the **install commit** command. It syncs the image with the local repository every 12 hours. For more details about software upgrade, see the [Upgrade Software](#) section of the *Cisco NCS 1010 System Setup and Software Installation Guide*.

If the alarm does not clear, contact your Cisco account representative or log into the Technical Support Website at <http://www.cisco.com/c/en/us/support/index.html> for more information or call Cisco TAC (1 800 553-2447).

ESD_INIT_ERR_E

Default Severity: Critical (CR), Service-Affecting (SA)

Logical Object: ESD

The ESD_INIT_ERR_E alarm is raised when the Ethernet Switch Driver (ESD) initialization fails.

Clear the ESD_INIT_ERR_E Alarm

Cisco IOS XR automatically detects and clears this alarm by resetting the switch.

If the alarm does not clear, log into the Technical Support Website at <http://www.cisco.com/c/en/us/support/index.html> for more information or call Cisco TAC (1 800 553-2447).

PORT_AUTO_TUNE_ERR_E

Default Severity: Major (MJ), Service-Affecting (SA)

Logical Object: ESD

The PORT_AUTO_TUNE_ERR_E alarm is raised when the port auto-tuning fails.

Clear the PORT_AUTO_TUNE_ERR_E Alarm

Cisco IOS XR automatically detects and clears this alarm by resetting the port.

If the alarm does not clear, log into the Technical Support Website at <http://www.cisco.com/c/en/us/support/index.html> for more information or call Cisco TAC (1 800 553-2447).

PORT_INIT_ERR_E

Default Severity: Major (MJ), Service-Affecting (SA)

Logical Object: ESD

The PORT_INIT_ERR_E alarm is raised when the port initialization fails.

Clear the PORT_INIT_ERR_E Alarm

Cisco IOS XR automatically detects and clears this alarm by resetting the port.

If the alarm does not clear, log into the Technical Support Website at <http://www.cisco.com/c/en/us/support/index.html> for more information or call Cisco TAC (1 800 553-2447).

SPI_FLASH_CFG_INIT_ERR_E

Default Severity: Critical (CR), Service-Affecting (SA)

Logical Object: ESD

The SPI_FLASH_CFG_INIT_ERR_E alarm is raised when there is an unsupported switch firmware version present.

Clear the SPI_FLASH_CFG_INIT_ERR_E Alarm

Cisco IOS XR automatically detects and clears this alarm by resetting the Aldrin. If the alarm does not clear automatically:

- Restart the ESD process using the **process restart esd location 0/rp0/cpu0** command.
- Reload the rack using the **reload location 0/rack** command.

If the alarm does not clear, log into the Technical Support Website at <http://www.cisco.com/c/en/us/support/index.html> for more information or call Cisco TAC (1 800 553-2447).

SWITCH_ALL_PORTS_DOWN_ERR_E

Default Severity: Critical (CR), Service-Affecting (SA)

Logical Object: ESD

The SWITCH_ALL_PORTS_DOWN_ERR_E alarm is raised when all the switch ports are down.

Clear the SWITCH_ALL_PORTS_DOWN_ERR_E Alarm

Cisco IOS XR automatically detects and clears this alarm by resetting the ports.

If the alarm does not clear, log into the Technical Support Website at <http://www.cisco.com/c/en/us/support/index.html> for more information or call Cisco TAC (1 800 553-2447).

SWITCH_CFG_INIT_ERR_E

Default Severity: Critical (CR), Service-Affecting (SA)

Logical Object: ESD

The SWITCH_CFG_INIT_ERR_E alarm is raised when the initial switch configuration fails.

Clear the SWITCH_CFG_INIT_ERR_E Alarm

Cisco IOS XR automatically detects and clears this alarm by resetting the switch.

If the alarm does not clear, log into the Technical Support Website at <http://www.cisco.com/c/en/us/support/index.html> for more information or call Cisco TAC (1 800 553-2447).

SWITCH_CRITICAL_PORT_FAILED_E

Default Severity: Critical (CR), Service-Affecting (SA)

Logical Object: ESD

The SWITCH_CRITICAL_PORT_FAILED_E alarm is raised when there is a critical port failure.

Clear the SWITCH_CRITICAL_PORT_FAILED_E Alarm

Cisco IOS XR automatically detects and clears this alarm by resetting the Aldrin. If the alarm does not clear automatically:

- Restart the ESD process using the **process restart esd location 0/rp0/cpu0** command.
- Reload the rack using the **reload location 0/rack** command.

If the alarm does not clear, log into the Technical Support Website at <http://www.cisco.com/c/en/us/support/index.html> for more information or call Cisco TAC (1 800 553-2447).

SWITCH_DMA_ERR_E

Default Severity: Critical (CR), Service-Affecting (SA)

Logical Object: ESD

The SWITCH_DMA_ERR_E alarm is raised when the switch Direct Memory Access (DMA) engine fails.

Clear the SWITCH_DMA_ERR_E Alarm

Cisco IOS XR automatically detects and clears this alarm by resetting the switch.

If the alarm does not clear, log into the Technical Support Website at <http://www.cisco.com/c/en/us/support/index.html> for more information or call Cisco TAC (1 800 553-2447).

SWITCH_EEPROM_INIT_ERR_E

Default Severity: Critical (CR), Service-Affecting (SA)

Logical Object: ESD

The SWITCH_EEPROM_INIT_ERR_E alarm is raised when the Switch EEPROM initialization fails.

Clear the SWITCH_EEPROM_INIT_ERR_E Alarm

Cisco IOS XR automatically detects and clears this alarm by resetting the switch.

If the alarm does not clear, log into the Technical Support Website at <http://www.cisco.com/c/en/us/support/index.html> for more information or call Cisco TAC (1 800 553-2447).

SWITCH_FDB_ERR_E

Default Severity: Critical (CR), Service-Affecting (SA)

Logical Object: ESD

The SWITCH_FDB_ERR_E alarm is raised when the switch forwarding database (FDB) operation fails.

Clear the SWITCH_FDB_ERR_E Alarm

Cisco IOS XR automatically detects and clears this alarm by resetting the switch.

If the alarm does not clear, log into the Technical Support Website at <http://www.cisco.com/c/en/us/support/index.html> for more information or call Cisco TAC (1 800 553-2447).

SWITCH_FDB_MAC_ADD_ERR_E

Default Severity: Critical (CR), Service-Affecting (SA)

Logical Object: ESD

The SWITCH_FDB_MAC_ADD_ERR_E alarm is raised when the switch firmware is unable to add a MAC address to its database.

Clear the SWITCH_FDB_MAC_ADD_ERR_E Alarm

To clear this alarm, contact technical support by logging into the Technical Support Website at <http://www.cisco.com/c/en/us/support/index.html> or call Cisco TAC (1 800 553-2447).

SWITCH_FIRMWARE_BOOT_FAIL_E

Default Severity: Critical (CR), Non-Service-Affecting (NSA)

Logical Object: ESD

The SWITCH_FIRMWARE_BOOT_FAIL_E alarm is raised when the switch firmware boot fails.

Clear the SWITCH_FIRMWARE_BOOT_FAIL_E Alarm

This alarm can be cleared when the ESD auto clears the alarm by resetting the switch.

If the alarm does not clear, log into the Technical Support Website at <http://www.cisco.com/c/en/us/support/index.html> for more information or call Cisco TAC (1 800 553-2447).

SWITCH_NOT_DISCOVERED_E

Default Severity: Critical (CR), Service-Affecting (SA)

Logical Object: ESD

The SWITCH_NOT_DISCOVERED_E alarm is raised when the switch is not discovered on the Peripheral Component Interconnect express (PCIe) bus.

Clear the SWITCH_NOT_DISCOVERED_E Alarm

Cisco IOS XR automatically detects and clears this alarm by resetting the switch.

If the alarm does not clear, log into the Technical Support Website at <http://www.cisco.com/c/en/us/support/index.html> for more information or call Cisco TAC (1 800 553-2447).

SWITCH_RESET_RECOVERY_FAILED_E

Default Severity: Critical (CR), Service-Affecting (SA)

Logical Object: ESD

The SWITCH_RESET_RECOVERY_FAILED_E alarm is raised when the Switch Reset operation does not recover the switch.

Clear the SWITCH_RESET_RECOVERY_FAILED_E Alarm

Cisco IOS XR automatically detects and clears this alarm by reloading the card using the **reload cpu0/rp0** command.

If the alarm does not clear, log into the Technical Support Website at <http://www.cisco.com/c/en/us/support/index.html> for more information or call Cisco TAC (1 800 553-2447).

UNSTABLE_LINK_E

Default Severity: Major (MJ), Service-Affecting (SA)

Logical Object: ESD

The UNSTABLE_LINK_E alarm is raised when there is an unstable link with high number of UP and DOWN state changes.

Clear the UNSTABLE_LINK_E Alarm

Cisco IOS XR automatically detects and clears this alarm by resetting the port.

If the alarm does not clear, log into the Technical Support Website at <http://www.cisco.com/c/en/us/support/index.html> for more information or call Cisco TAC (1 800 553-2447).

FAN FAIL

Default Severity: Major (MJ), Service-Affecting (SA)

Logical Object: SPI-ENVMON

The FAN FAIL alarm is raised when one of the two fans stops spinning or fails. If a fan stops working properly, the temperature can increase beyond the usual operating range, which might also trigger the TEMPERATURE alarm to activate.

Clear the FAN FAIL Alarm

To clear this alarm, replace the faulty fan in the chassis.

If the alarm does not clear after replacing the faulty fan, log into the Technical Support Website at <http://www.cisco.com/c/en/us/support/index.html> for more information or call Cisco TAC (1 800 553-2447).

FAN SPEED SENSOR 0: OUT OF TOLERANCE FAULT

Default Severity: Major (MJ), Service-Affecting (SA)

Logical Object: SPI-ENVMON

The FAN SPEED SENSOR 0: OUT OF TOLERANCE FAULT alarm is raised when one or more fans in the fan tray are faulty.

Clear the FAN SPEED SENSOR 0: OUT OF TOLERANCE FAULT Alarm

To clear this alarm, replace the faulty fans in the chassis.

If the alarm does not clear, log into the Technical Support Website at <http://www.cisco.com/c/en/us/support/index.html> for more information or call Cisco TAC (1 800 553-2447).

FAN-POWER-ERROR

Default Severity: Major (MJ), Non-Service-Affecting (NSA)

Logical Object: SPI-ENVMON

The FAN-POWER-ERROR alarm is raised when the power supply to the fan tray fails.

Clear the FAN-POWER-ERROR Alarm

This alarm is cleared when:

- The power supply to the fan tray is restored.
- Online Insertion and Removal (OIR) of the fan tray is performed.

If the alarm does not clear, log into the Technical Support Website at <http://www.cisco.com/c/en/us/support/index.html> for more information or call Cisco TAC (1 800 553-2447).

FAN-TRAY-ABSENT

Default Severity: Major (MJ), Non-Service-Affecting (NSA)

Logical Object: SPI-ENVMON

The FAN-TRAY-ABSENT alarm is raised when one or more fan trays are absent or removed from the chassis.

Clear the FAN-TRAY-REMOVAL Alarm

Insert the fan trays into the chassis.

If the alarm does not clear, log into the Technical Support Website at <http://www.cisco.com/c/en/us/support/index.html> for more information or call Cisco TAC (1 800 553-2447).

FPD IN NEED UPGD

Default Severity: Major (MJ), Service-Affecting (SA)

Logical Object: SPI-FPD

The FPD IN NEED UPGD alarm is raised when a newer FPD version in the FPD package is available on the FPD boot disk and the its internal memory has an outdated FPD version. A FPD package is stored on the boot disk and contains all the FPD images for each FPD on the platform for that Cisco IOS XR version. The FPDs run from images stored in its internal memory and not from the images inside the FPD package.

Clear the FPD IN NEED UPGD Alarm

This alarm is cleared when the correct FPD is upgraded using the **upgrade hw-module location** *location-id fpd fpd name* command. For more details, see the [Upgrade FPDs Manually](#) section of the *Cisco NCS 1010 System Setup and Software Installation Guide*.

If the alarm does not clear, log into the Technical Support Website at <http://www.cisco.com/c/en/us/support/index.html> for more information or call Cisco TAC (1 800 553-2447).

INSTALL IN PROGRESS

Default Severity: Major (MJ), Service-Affecting (SA)

Logical Object: SPI-INSTALL

The INSTALL IN PROGRESS alarm is raised when the install operation is in progress or if the "install commit" is not performed after activating a new image or package.

Clear the INSTALL IN PROGRESS Alarm

- Step 1** 1) Wait until the install operation is completed.
- Step 2** 2) Run the **install commit** command after the **install activate** command.

If the alarm does not clear, log into the Technical Support Website at <http://www.cisco.com/c/en/us/support/index.html> for more information or call Cisco TAC (1 800 553-2447).

NODE-UNPAIRED-FROM-BAND-PARTNER NODE Alarm

Default severity: Not Alarmed (NA), Non-Service-Affecting (NSA)

Logical Object: OTS Controller

The NODE-UNPAIRED-FROM-AND-PARTNER-NODE alarm is raised when:

- The interlink management port is shut, and cable between C and L band is disconnected.
- The partner band OLC configuration is removed from one end after the bidirectional connection is established, causing the connection to break in one of the directions.
- The partner-band node is unavailable due to RP reload or power cycle events.

Clear NODE-UNPAIRED-FROM-BAND-PARTNER-NODE Alarm

This alarm gets cleared when:

- The cable between C and L band is connected and the interlink management port is brought up.
- The OLC partner band configuration is removed from the alarmed node.

If the alarm does not clear, log into the Technical Support Website at <http://www.cisco.com/c/en/us/support/index.html> for more information or call Cisco TAC (1 800 553-2447).

OPTICAL-MOD-ABSENT

Default Severity: Critical (CR), Service-Affecting (SA)

Logical Object: Phy1_mgmt

The Optical-Mod-Absent alarm is raised when:

- line card is not inserted properly or is removed from the chassis.
- Line card cold reload is performed.

Clear the Optical MOD Absent Alarm

To clear this alarm, perform the following steps:

SUMMARY STEPS

1. Follow the procedure [Remove and Replace Line Card](#) to reinsert the line card and connect the fan.
2. The alarm clears automatically once the LC reload is complete.

DETAILED STEPS

Step 1 Follow the procedure [Remove and Replace Line Card](#) to reinsert the line card and connect the fan.

Step 2 The alarm clears automatically once the LC reload is complete.

If the alarm does not clear, contact your Cisco account representative or log into the Technical Support Website at <http://www.cisco.com/c/en/us/support/index.html> for more information or call Cisco TAC (1 800 553-2447).

OUT_OF_COMPLIANCE

Default Severity: Critical (CR), Service-Affecting (SA)

Logical Object: plat_sl_client

The OUT_OF_COMPLIANCE alarm is raised when one or more license entitlements is not in compliance. This state is seen when the license does not have an available license in the corresponding Virtual Account that the Cisco device is registered to, in the Cisco Smart Account.

Clear Out of Compliance Alarm

SUMMARY STEPS

1. To clear this alarm, enter into a compliance by adding the correct number and type of licenses to the Smart Account.

DETAILED STEPS

To clear this alarm, enter into a compliance by adding the correct number and type of licenses to the Smart Account.

If the alarm does not clear, contact your Cisco account representative or log into the Technical Support Website at <http://www.cisco.com/c/en/us/support/index.html> for more information or call Cisco TAC (1 800 553-2447).

PID-MISMATCH

Default Severity: Major (MJ), Service-Affecting (SA)

Logical Object: SPI-ENVMON

The PID-MISMATCH alarm is raised when one AC and one DC PSU are connected.

Clear the PID-MISMATCH Alarm

To clear this alarm, ensure that both connected PSU's are either AC or DC.

If the alarm does not clear, log into the Technical Support Website at <http://www.cisco.com/c/en/us/support/index.html> for more information or call Cisco TAC (1 800 553-2447).

POWER MODULE OUTPUT DISABLED

Default Severity: Major (MJ), Service-Affecting (SA)

Logical Object: SPI-ENVMON

The POWER MODULE OUTPUT DISABLED alarm is raised power supply is not connected to the power module.

Clear the POWER MODULE OUTPUT DISABLED Alarm

This alarm is automatically cleared when power supply is connected to the power module.

If the alarm does not clear, log into the Technical Support Website at <http://www.cisco.com/c/en/us/support/index.html> for more information or call Cisco TAC (1 800 553-2447).

POWER-MODULE-REDUNDANCY-LOST

Default Severity: Major (MJ), Service-Affecting (SA)

Logical Object: SPI-ENVMON

The Power Group redundancy lost (POWER-MODULE-REDUNDANCY-LOST) alarm is raised if:

- the Power Supply Unit (PSU) is faulty or removed.
- the input PSU voltage goes beyond the working range of 180 to 264 volts for input high line (HL) and 90 to 140 volts for input low line (LL) nominal voltages.

Clear the POWER-MODULE-REDUNDANCY-LOST Alarm

To clear this alarm:

- Re-insert the power module and then connect the power supply to the module.
- If the alarm does not clear after re-inserting, replace the power module.
- Check the input voltage value of the PSU using the **show environment power** command.
- If the input voltage is beyond the working range, check the power supplied to the PSU.

If the alarm does not clear, log into the Technical Support Website at <http://www.cisco.com/c/en/us/support/index.html> for more information or call Cisco TAC (1 800 553-2447).

SIA_GRACE_PERIOD_REMAINING

Default Severity: Minor (MN), Non-Service-Affecting (NSA)

Logical Object: plat_sl_client

When the device enters an Out-of-Compliance (OOC) state, a grace period of 90 days begins. During this period, SIA license benefits can still be availed. The SIA_GRACE_PERIOD_REMAINING alarm is raised when a Software Innovation Access(SIA) upgrade is allowed during this grace period.

Clear SIA Grace Period Remaining

SUMMARY STEPS

1. This alarm is cleared when Software Innovation Access(SIA) licenses are purchased.

DETAILED STEPS

This alarm is cleared when Software Innovation Access(SIA) licenses are purchased.

If the alarm does not clear, contact your Cisco account representative or log into the Technical Support Website at <http://www.cisco.com/c/en/us/support/index.html> for more information or call Cisco TAC (1 800 553-2447).

SIA_UPGRADE_BLOCKED

Default Severity: Major(MJ), Service-Affecting (SA)

Logical Object: plat_sl_client

The SIA_UPGRADE_BLOCKED alarm is raised when Software Innovation Access(SIA) grace period has expired.

Clear SIA Grace Period Remaining

This alarm is cleared when the SIA licences are purchased.

If the alarm does not clear, contact your Cisco account representative or log into the Technical Support Website at <http://www.cisco.com/c/en/us/support/index.html> for more information or call Cisco TAC (1 800 553-2447).

TACACS Server Down

Default Severity: Major (MJ), Service-Affecting (SA)

Logical Object: Software

Release: This alarm was introduced in R24.3.1.

The <TACACS server details>TACACS server DOWN alarm is raised when the TACACS server is down.

Clear the TACACS Server Down Alarm

The TACACS Server Down alarm is cleared when the TACACS server is up.

To clear this alarm, perform these steps:

- Step 1** Verify the TACACS server group using the **show tacacs server-groups** command.
- Step 2** Check the connection between the device and the TACACS+ server using the **show tacacs details** command.
- Step 3** Remove the global and private server configuration.

If the alarm does not clear, log into the Technical Support Website at <http://www.cisco.com/c/en/us/support/index.html> for more information or call Cisco TAC (1 800 553-2447).

TEMPERATURE

Default Severity: Minor (MN), Non-Service-Affecting (NSA)

Logical Object: SPI-ENVMON

The TEMPERATURE alarm is raised when the temperature of a sensor exceeds the normal operating range because of any of the following reasons:

- One or more fans stops working.
- Inadequate airflow.
- Environmental temperature of the room is abnormally high.

Clear the TEMPERATURE Alarm

To clear this alarms:

Step 1 Check the fan speed and temperature values using the **show environment** command.

Step 2 Check any fan tray or failure alarms using the **show alarms brief system active**.

Step 3 Ensure that:

- a) there are no airflow obstructions.
- b) fans are working fine.
- c) environmental temperature of the room is not abnormally high.

If the alarm does not clear, log into the Technical Support Website at <http://www.cisco.com/c/en/us/support/index.html> for more information or call Cisco TAC (1 800 553-2447).

UPGRADE_LICENSE_GRACE_PERIOD_REMAINING

Default Severity: Minor (MN), Non-Service-Affecting (NSA)

Logical Object: plat_sl_client

The UPGRADE_LICENSE_GRACE_PERIOD_REMAINING alarm is raised when a software upgrade is allowed in the upgrade license grace period.

UPGRADE_LICENSE_GRACE_PERIOD_REMAINING

Default Severity: Minor (MN), Non-Service-Affecting (NSA)

Logical Object: plat_sl_client

The UPGRADE_LICENSE_GRACE_PERIOD_REMAINING alarm is raised when a software upgrade is allowed in the upgrade license grace period.

VOLTAGE

Default Severity: Minor (MN), Major (MJ), Critical (CR), Non-Service-Affecting (NSA)

Logical Object: SPI-ENVMON

The VOLTAGE alarm is raised when the voltage is out of the operating range.

Clear the VOLTAGE Alarm

To clear this alarm:

- Step 1** Check if the input voltage is within the expected range.
- Step 2** Check the component level voltage is within the operating range using the **show environment voltage** command.

If the alarm does not clear, log into the Technical Support Website at <http://www.cisco.com/c/en/us/support/index.html> for more information or call Cisco TAC (1 800 553-2447).

Clear the VOLTAGE Alarm



CHAPTER 2

Troubleshooting of Data Path Alarms

This chapter provides a description, severity, and troubleshooting procedure for each commonly encountered Cisco NCS 1010 data path alarm and condition. When an alarm is raised, refer to its clearing procedure.

- [CHANNEL-NOISE-LOADED](#), on page 19
- [EGRESS-AMPLI-GAIN-HIGH](#), on page 20
- [EGRESS-AMPLI-GAIN-LOW](#), on page 20
- [EGRESS-AUTO-LASER-SHUT](#), on page 21
- [EGRESS-AUTO-POW-RED](#), on page 21
- [HIGH-RX-BR-PWR](#), on page 22
- [HIGH-TX-BR-PWR](#), on page 22
- [INGRESS-AMPLI-GAIN-HIGH](#), on page 23
- [INGRESS-AMPLI-GAIN-LOW](#), on page 23
- [INGRESS-AUTO-LASER-SHUT](#), on page 24
- [INGRESS-AUTO-POW-RED](#), on page 24
- [RAMAN-AUTO-LASER-SHUT](#), on page 25
- [RAMAN-AUTO-POW-RED](#), on page 25
- [RAMAN-\[1-5\]-HIGH-PWR](#), on page 25
- [RAMAN-\[1-5\]-LOW-PWR](#), on page 26
- [RX-LOC](#), on page 26
- [RX-LOS-P](#), on page 27
- [SPAN-TOO-SHORT-RX](#), on page 28
- [SPAN-TOO-SHORT-TX](#), on page 28
- [TD-FAILED](#), on page 28
- [TD-INPROGRESS](#), on page 29
- [TD-SUCCESS](#), on page 29
- [TG-INPROGRES](#), on page 30
- [TX-POWER-FAIL-LOW](#), on page 30

CHANNEL-NOISE-LOADED

Default Severity: Major (MJ), Non-Service-Affecting (NSA)

Logical Object: OTS-OCH

The CHANNEL-NOISE-LOADED alarm is raised when a traffic channel is loaded with noise. When a traffic channel fails, an equivalent temporary Amplified Spontaneous Emission (ASE) channel is inserted to maintain the spectral density of the port.

Clear the CHANNEL-NOISE-LOADED Alarm

This alarm is cleared automatically when the original traffic channel is restored and the temporary ASE channel is removed. To check the channel status, use the **show hw-module location *location* terminal-ampli** command.

If the alarm does not clear, log into the Technical Support Website at <http://www.cisco.com/c/en/us/support/index.html> for more information or call Cisco TAC (1 800 553-2447).

EGRESS-AMPLI-GAIN-HIGH

Default Severity: Non Service-Affecting (NSA)

Logical Object: Controller OTS

The EGRESS-AMPLI-GAIN-HIGH alarm is raised when the EGRESS EDFA module cannot reach the gain setpoint. This condition occurs if the amplifier reaches its range boundaries and the Egress Amplifier Gain Degrade is high.

Clear the EGRESS-AMPLI-GAIN-HIGH Alarm

Step 1 Adjust the gain setting to a correct value using the **controller ots egress-ampli-gain** command.

If the APC value is set to the disabled state, the applied gain results from the configuration. Therefore, you must adjust the gain setting to a high value.

Step 2 Check the overall system settings, performance, and the configured EDFA Gain using the **show configuration commit changes all** command.

If the APC value is set to the enabled state, it may be due to an unexpected long or short span, or due to other measured channels. If the alarm persists, it may indicate an amplifier hardware failure.

If the alarm does not clear, log into the Technical Support Website at <http://www.cisco.com/c/en/us/support/index.html> for more information or call Cisco TAC (1 800 553-2447).

EGRESS-AMPLI-GAIN-LOW

Default Severity: Minor (MN), Non-Service-Affecting (NSA)

Logical Object: Controller OTS

The EGRESS-AMPLI-GAIN-LOW alarm is raised when the Egress Amplifier Gain Degrade is Low.

Clear the EGRESS-AMPLI-GAIN-LOW Alarm

- Step 1** Adjust the gain setting to a correct value using the **controller ots egress-ampli-gain** command.
- If the APC value is set to the disabled state, the applied gain results from the configuration. Therefore, you must adjust the gain setting to a low value.
- Step 2** Check the overall system settings, performance, and the configured EDFA Gain using the **show configuration commit changes all** command.
- If the APC value is set to the enabled state, it may be due to an unexpected long or short span, or due to other measured channels. If the alarm persists, it may indicate an amplifier hardware failure.
- If the alarm does not clear, log into the Technical Support Website at <http://www.cisco.com/c/en/us/support/index.html> for more information or call Cisco TAC (1 800 553-2447).
-

EGRESS-AUTO-LASER-SHUT

Default Severity: Not Alarmed (NA), Non-Service-Affecting (NSA)

Logical Object: Controller OTS

The EGRESS-AUTO-LASER-SHUT alarm is raised when the Egress EDFA shuts down its Tx power if it is not receiving any input power on the Line Rx port due to a fiber cut. This alarm is raised if the safety-control-mode is set to the auto state on line OTS controller.

Clear the EGRESS-AUTO-LASER-SHUT Alarm

- Step 1** Check and [clear the RX-LOC alarm](#) by repairing any cut in fiber cable.
- Step 2** Check and [clear the RX-LOS-P alarm](#) by adjusting the threshold setting.
- If the alarm does not clear, log into the Technical Support Website at <http://www.cisco.com/c/en/us/support/index.html> for more information or call Cisco TAC (1 800 553-2447).
-

EGRESS-AUTO-POW-RED

Default Severity: Not Alarmed (NA), Non-Service-Affecting (NSA)

Logical Object: Controller OTS

The EGRESS-AUTO-POW-RED alarm is raised when LOS is detected on the line RX, the line TX normalizes the signal output power. In this case, if safety-control-mode set to auto, the egress amplifier goes into power reduction mode for safety reasons.

Clear the EGRESS-AUTO-POW-RED Alarm

- Step 1** Check if the egress amplifier automatic power reduction is active using the **show controllers** *Controller-type R/S/I/P* command.
- Step 2** Check if the safety conditions of the Egress EDFA are active using the **show controllers** *Controller-type R/S/I/P* command.
- If the alarm does not clear, log into the Technical Support Website at <http://www.cisco.com/c/en/us/support/index.html> for more information or call Cisco TAC (1 800 553-2447).
-

HIGH-RX-BR-PWR

Default Severity: Minor (MN), Non-Service-Affecting (NSA)

Logical Object: Controller OTS

The HI-RX-BR-PWR alarm is raised when there is a high back reflection power at the egress port due to a poor fiber connection.

Clear the HIGH-RX-BR-PWR Alarm

Ensure that the span fiber is thoroughly clean and properly connected. For more details about cleaning fiber, see the [Cleaning and Maintaining Fiber-Optic Connectors](#) section of the *Hardware Installation Guide for Cisco NCS 1010 and Cisco NCS 1000 Passive Modules*.

If the alarm does not clear, log into the Technical Support Website at <http://www.cisco.com/c/en/us/support/index.html> for more information or call Cisco TAC (1 800 553-2447).

HIGH-TX-BR-PWR

Default Severity: Critical (CR), Service-Affecting (SA)

Logical Object: Controller OTS

The HI-TX-BR-PWR alarm is raised when there is a high back reflection power at the ingress port due to a poor fiber connection.

Clear the HIGH-TX-BR-PWR Alarm

Ensure that the span fiber is thoroughly clean and properly connected. For more details about cleaning fiber, see the [Cleaning and Maintaining Fiber-Optic Connectors](#) section of the *Hardware Installation Guide for Cisco NCS 1010 and Cisco NCS 1000 Passive Modules*.

If the alarm does not clear, log into the Technical Support Website at <http://www.cisco.com/c/en/us/support/index.html> for more information or call Cisco TAC (1 800 553-2447).

INGRESS-AMPLI-GAIN-HIGH

Default Severity: Minor (MN), Non-Service-Affecting (NSA)

Logical Object: Controller OTS

The INGRESS-AMPLI-GAIN-HIGH alarm is raised when the Ingress EDFA module cannot reach the gain setpoint. This condition occurs if the amplifier reaches its range boundaries.

Clear the INGRESS-AMPLI-GAIN-HIGH Alarm

- Step 1** Adjust the ingress amplification gain to a correct value using the **controller ots ingress-ampli-gain** command.
- If the APC value is set to the disabled state, the applied gain results from the configuration. Therefore, you must adjust the gain setting to a high value.
- Step 2** Check the overall system settings, performance, and the configured EDFA Gain using the **show configuration commit changes all** command.
- If the APC value is set to the enabled state, it may be due to an unexpected long or short span, or due to other measured channels. If the alarm persists, it may indicate an amplifier hardware failure.
- If the alarm does not clear, log into the Technical Support Website at <http://www.cisco.com/c/en/us/support/index.html> for more information or call Cisco TAC (1 800 553-2447).
-

INGRESS-AMPLI-GAIN-LOW

Default Severity: Minor (MN), Non-Service-Affecting (NSA)

Logical Object: Controller OTS

The INGRESS-AMPLI-GAIN-LOW alarm is raised when the Ingress EDFA module cannot reach the gain setpoint. This condition occurs if the amplifier reaches its range boundaries.

Clear the INGRESS-AMPLI-GAIN-LOW Alarm

- Step 1** Adjust the ingress amplification gain to a correct value using the **controller ots ingress-ampli-gain** command.
- If the APC value is set to the disabled state, the applied gain results from the configuration. Therefore, you must adjust the gain setting to a high value.

Step 2 Check the overall system settings, performance, and the configured EDFA Gain using the **show configuration commit changes all** command.

If the APC value is set to the enabled state, it may be due to an unexpected long or short span, or due to other measured channels. If the alarm persists, it may indicate an amplifier hardware failure.

If the alarm does not clear, log into the Technical Support Website at <http://www.cisco.com/c/en/us/support/index.html> for more information or call Cisco TAC (1 800 553-2447).

INGRESS-AUTO-LASER-SHUT

Default Severity: Not Alarmed (NA), Non-Service-Affecting (NSA)

Logical Object: Controller OTS

The INGRESS-AUTO-LASER-SHUT alarm is raised when the ingress amplifier is off for safety Reasons.

Clear the INGRESS-AUTO-LASER-SHUT Alarm

Step 1 For the controller OTS, check the RX-LOC or RX-LOSP alarm.

Step 2 Check if the safety conditions of the Ingress EDFA ALS are active.

If the alarm does not clear, log into the Technical Support Website at <http://www.cisco.com/c/en/us/support/index.html> for more information or call Cisco TAC (1 800 553-2447).

INGRESS-AUTO-POW-RED

Default Severity: Not Alarmed (NA), Non-Service-Affecting (NSA)

Logical Object: Controller OTS

The INGRESS-AUTO-POW-RED alarm is raised when the ingress amplifier is in power reduction mode for safety reasons.

Clear the INGRESS-AUTO-POW-RED Alarm

Step 1 For controller OTS, check if the APR configuration is active.

If the alarm does not clear, log into the Technical Support Website at <http://www.cisco.com/c/en/us/support/index.html> for more information or call Cisco TAC (1 800 553-2447).

Step 2 Check if the safety conditions of the Ingress EDFA for APR are active.

RAMAN-AUTO-LASER-SHUT

Default Severity: Not Alarmed (NA), Non-Service-Affecting (NSA)

Logical Object: Controller OTS

The RAMAN-AUTO-LASER-SHUT alarm is raised when the laser inside the Raman pumps is automatically shut down if loss of signal is detected on the receiving fiber.

Clear the RAMAN-AUTO-LASER-SHUT Alarm

Step 1 Check and [clear the RX-LOC alarm](#) by repairing any cut in fiber cable.

Step 2 Check if the safety conditions of the Raman pumps are active using the **show controllers ots 0/0/0/0 raman-info**.

If the alarm does not clear, log into the Technical Support Website at <http://www.cisco.com/c/en/us/support/index.html> for more information or call Cisco TAC (1 800 553-2447).

RAMAN-AUTO-POW-RED

Default Severity: Not Alarmed (NA), Non-Service-Affecting (NSA)

Logical Object: Controller OTS

The RAMAN-AUTO-POW-RED alarm is raised when the Raman amplifier is in power reduction mode for safety reasons.

Clear the RAMAN-AUTO-POW-RED Alarm

Step 1 Check if the Automatic Power Reduction (APR) and safety conditions for Raman amplifier are enabled using the **show configuration commit changes all** command.

Step 2 If APR is disabled, enable using the **controller ots R/S/I/P raman-force-apr on** command.

Step 3 If safety conditions are disabled, enable using the **controller ots R/S/I/P raman-osri on** command.

If the alarm does not clear, log into the Technical Support Website at <http://www.cisco.com/c/en/us/support/index.html> for more information or call Cisco TAC (1 800 553-2447).

RAMAN-[1-5]-HIGH-PWR

Default Severity: Minor (MN), Non-Service-Affecting (NSA)

Logical Object: Controller OTS

The RAMAN-[1-5]-HIGH-PWR alarm is raised when the Raman [1-5] pumps have high power.

Clear the RAMAN-[1-5]-HIGH-PWR Alarm

Check the span length and configured Raman pump power for controller OTS.

If the alarm does not clear, log into the Technical Support Website at <http://www.cisco.com/c/en/us/support/index.html> for more information or call Cisco TAC (1 800 553-2447).

RAMAN-[1-5]-LOW-PWR

Default Severity: Minor (MN), Non-Service-Affecting (NSA)

Logical Object: Controller OTS

The RAMAN-[1-5]-LOW-PWR alarm is raised when the raman [1-5] pumps have low power.

Clear the RAMAN-[1-5]-LOW-PWR Alarm

Check the span length and configured Raman pump power for controller OTS.

If the alarm does not clear, log into the Technical Support Website at <http://www.cisco.com/c/en/us/support/index.html> for more information or call Cisco TAC (1 800 553-2447).

RX-LOC

Default Severity: Critical (CR), Service-Affecting (SA)

Logical Object: Line OTS Controller

The RX-LOC alarm is raised when there is a loss in the fiber connection continuity.

When the RX-LOC alarm is raised at the line OTS, the following alarms at the controller and port are suppressed:

Table 1: Suppressed Alarms List

Alarms	Controller	Port
RX-LOS-P	<ul style="list-style-type: none"> • DFB • OSC • OTS • Line OTS-OCH 	Line RX
TX-POWER-FAIL-LOW	<ul style="list-style-type: none"> • OTS • OTS-OCH 	LINE TX
RX-LOS-P	OTS-OCH	Line RX

Clear the RX-LOC Alarm

Check and repair any cut in fiber cable.

If the alarm does not clear, log into the Technical Support Website at <http://www.cisco.com/c/en/us/support/index.html> for more information or call Cisco TAC (1 800 553-2447).

RX-LOS-P

Default Severity: Critical (CR), Service-Affecting (SA)

Logical Object: Controller DFB, Controller OSC, Controller OTS-OCH, Controller OMS, Controller OTS, or Controller OCH

The RX-LOS-P alarm is raised when:

- there is a loss of signal payload.
- the cable is not properly inserted or disconnected from a port.
- port is not currently in use.

Clear the RX-LOS-P Alarm

- Step 1** Check and adjust the threshold values using the **controller ots 0/0/0/0 rx-low-threshold value** command.
- Step 2** Check if the received power is between -1dBm to -40dBm.
- Step 3** Check if the cable is properly inserted into the port.
- Step 4** If the port is not in use, shutdown the port using the **controller ots R/S/I/P shutdown** command.

If the alarm does not clear, log into the Technical Support Website at <http://www.cisco.com/c/en/us/support/index.html> for more information or call Cisco TAC (1 800 553-2447).

SPAN-TOO-SHORT-RX

Default Severity: Minor (MN), Non-Service-Affecting (NSA)

Logical Object: Controller OTS

The SPAN-TOO-SHORT-RX alarm is raised when the input of the OTS span is too short.

Clear the SPAN-TOO-SHORT-RX Alarm

Step 1 Inspect the RX fiber for any signs of damage.

Step 2 Increase the span length of the fiber using the **controller ots R/S/I/P span-length length** command.

If the alarm does not clear, log into the Technical Support Website at <http://www.cisco.com/c/en/us/support/index.html> for more information or call Cisco TAC (1 800 553-2447).

SPAN-TOO-SHORT-TX

Default Severity: Minor (MN), Non-Service-Affecting (NSA)

Logical Object: Controller OTS

The SPAN-TOO-SHORT-TX alarm is raised when the output of the OTS span is too short.

Clear the SPAN-TOO-SHORT-TX Alarm

Step 1 Inspect the TX fiber for any signs of damage.

Step 2 Increase the span length of the fiber using the **controller ots R/S/I/P span-length length** command.

If the alarm does not clear, log into the Technical Support Website at <http://www.cisco.com/c/en/us/support/index.html> for more information or call Cisco TAC (1 800 553-2447).

TD-FAILED

Default Severity: Minor (MN), Non-Service-Affecting (NSA)

Logical Object: Controller OTS, Controller OMS, or Controller OCH

The TD-FAILED alarm is raised when the Tone Detection fails.

Clear the TD-FAILED Alarm

Stop Tone Detection on the corresponding controller using the **tone-pattern-detect controller ots R/S/I/P stop** command.

If the alarm does not clear, log into the Technical Support Website at <http://www.cisco.com/c/en/us/support/index.html> for more information or call Cisco TAC (1 800 553-2447).

TD-INPROGRESS

Default Severity: Minor (MN), Non-Service-Affecting (NSA)

Logical Object: Controller OTS, Controller OMS, or Controller OCH

The TD-INPROGRESS alarm is raised when the Tone Detection is in progress.

Clear the TD-INPROGRESS Alarm

This alarm is cleared automatically when Tone Detection is completed successfully.

If the alarm does not clear, log into the Technical Support Website at <http://www.cisco.com/c/en/us/support/index.html> for more information or call Cisco TAC (1 800 553-2447).

TD-SUCCESS

Default Severity: Minor (MN), Non-Service-Affecting (NSA)

Logical Object: Controller OTS, Controller OMS, or Controller OCH

The TD-SUCCESS alarm is raised when Tone Detection is completed successfully.

Clear the TD-SUCCESS Alarm

Stop Tone Detection on the corresponding controller using the **tone-pattern-detect controller ots R/S/I/P stop** command.

If the alarm does not clear, log into the Technical Support Website at <http://www.cisco.com/c/en/us/support/index.html> for more information or call Cisco TAC (1 800 553-2447).

TG-INPROGRES

Default Severity: Minor (MN), Non-Service-Affecting (NSA)

Logical Object: Controller OTS, Controller OMS, or Controller OCH

The TG-INPROGRES alarm is raised when the Tone Generation is in progress.

Clear the TG-INPROGRES Alarm

Stop Tone Generation on the corresponding controller using the **tone-pattern controller ots R/S/I/P stop** command.

If the alarm does not clear, log into the Technical Support Website at <http://www.cisco.com/c/en/us/support/index.html> for more information or call Cisco TAC (1 800 553-2447).

TX-POWER-FAIL-LOW

Default Severity: Critical (CR), Service-Affecting (SA)

Logical Object: Controller DFB, Controller OSC, Controller OTS-OCH, Controller OMS, or Controller OCH

The TX-POWER-FAIL-LOW alarm is raised when the output of the OTS power reading is below the Fail-Low threshold.

Clear the TX-POWER-FAIL-LOW Alarm

Step 1 Check if the threshold values are correct using the **show controllers ots R/S/I/P** command.

Step 2 Check if the corresponding Rx power is correct using the **show controllers ots R/S/I/P** command. For example, an OTS Controller 2 TX receives power from the controller 0 RX.

Step 3 Check the configured EDFA gain values using the using the **show controllers ots R/S/I/P** command.

Step 4 Check for any hardware failure alarms using the **show alarms brief system active** command.

If the alarm does not clear, log into the Technical Support Website at <http://www.cisco.com/c/en/us/support/index.html> for more information or call Cisco TAC (1 800 553-2447).



CHAPTER 3

Troubleshooting of Optical Application Alarms

This chapter provides a description, severity, and troubleshooting procedure for each commonly encountered Cisco NCS 1010 optical application alarm and condition. When an alarm is raised, refer to its clearing procedure.

- [APC-BLOCKED-RX](#), on page 31
- [APC-BLOCKED-TX](#), on page 32
- [APC-OUT-OF-RANGE-TX](#), on page 33
- [APC-OUT-OF-RANGE-RX](#), on page 34
- [APC-PARTIAL-TOPOLOGY](#), on page 34
- [RAMAN-TUNE-FAILED](#), on page 35
- [RAMAN-TUNE-GAIN-UNREACHABLE](#), on page 35
- [RAMAN-TUNE-IN-PROGRESS](#), on page 36
- [RAMAN-TURNUP-FAIL](#), on page 36
- [SPAN-LOSS-OUT-OF-RANGE](#), on page 37
- [APC-TARGET-PSD-NOT-MET-RX](#), on page 37
- [APC-TARGET-PSD-NOT-MET-TX](#), on page 38
- [OTDR-ABS-ATTENUATION-EXCEEDED-RX](#), on page 39
- [OTDR-ABS-ATTENUATION-EXCEEDED-TX](#), on page 39
- [OTDR-ABS-ORL-EXCEEDED-RX](#), on page 40
- [OTDR-ABS-ORL-EXCEEDED-TX](#), on page 40
- [OTDR-ABS-REFLECTANCE-EXCEEDED-RX](#), on page 41
- [OTDR-ABS-REFLECTANCE-EXCEEDED-TX](#), on page 41
- [OTDR-SCAN-FAILED-RX](#), on page 42
- [OTDR-SCAN-FAILED-TX](#), on page 42
- [OTDR-SCAN-IN-PROGRESS-RX](#), on page 42
- [OTDR-SCAN-IN-PROGRESS-TX](#), on page 43

APC-BLOCKED-RX

Default Severity: Minor (MN), Non-Service-Affecting (NSA)

Logical Object: OTS Controller

The APC-BLOCKED-RX alarm is raised when:

- The APC domain (OLT—OLT) is down due to:

- Fiber cut in the receive (RX) direction of the span in the network.
- Network events such as: OTS controller fail or shutdown, OSC fail or shutdown, LC reload, RP reload, and power cycle events.
- The topology is not discovered by the OSPF end-to-end and the connection bring up is pending.
- The user configured amplifier safety conditions, such as Optical safety remote interlock (OSRI) and Automatic power reduction (APR), and so on.
- Safety condition is triggered due to a High Back Reflection event.
- The participating agent nodes have locally disabled the APC.

Clear the APC-BLOCKED-RX Alarm

This alarm gets cleared when:

- The fiber issues are resolved and the network connectivity is restored in the receive direction.
- All the participating nodes are recovered from High Availability (HA) events.
- The end-to-end topology is discovered using the **show olc apc** command.
- All the safety conditions are cleared from the network.
- Verify that all the agent nodes in the domain have APC enabled using the **show olc apc** command.

If the alarm does not clear, log into the Technical Support Website at <http://www.cisco.com/c/en/us/support/index.html> for more information or call Cisco TAC (1 800 553-2447).

APC-BLOCKED-TX

Default Severity: Minor (MN), Non-Service-Affecting (NSA)

Logical Object: OTS Controller

The APC-BLOCKED-TX alarm is raised when:

- The APC domain (OLT—OLT) is down due to:
 - Fiber cut in the transmit (TX) direction of the span in the network.
 - Network events such as: OTS controller fail or shutdown, OSC fail or shutdown, LC reload, RP reload, and power cycle events.
- The topology is not discovered by the OSPF end-to-end and the connection bring up is pending.
- The user configured amplifier safety conditions, such as Optical safety remote interlock (OSRI) and Automatic power reduction (APR), and so on.
- Safety condition is triggered due to a High Back Reflection event.
- The participating agent nodes have locally disabled the APC.

Clear the APC-BLOCKED-TX Alarm

This alarm gets cleared when:

- The fiber issues are resolved and the network connectivity is restored in the transmit direction.
- All the participating nodes are recovered from High Availability (HA) events.
- The end-to-end topology is discovered using the **show olc apc** command.
- All the safety conditions are cleared from the network.
- Verify that all the agent nodes in the domain have APC enabled using the **show olc apc** command.

If the alarm does not clear, log into the Technical Support Website at <http://www.cisco.com/c/en/us/support/index.html> for more information or call Cisco TAC (1 800 553-2447).

APC-OUT-OF-RANGE-TX

Default Severity: Minor (MN), Non-Service-Affecting (NSA)

Logical Object: OTS Controller

The APC-OUT-OF-RANGE-TX alarm is raised when the APC system fails to regulate and achieve the target PSD power level in the transmit direction.

The possible conditions are:

- amplifier gain is exhausted in a particular gain range.
- WSS range (0-25 dB) is exhausted for a single or multiple channels.
- DGE range (0-3 dB) is exhausted for a single or multiple channels.
- increased span loss and the amplifier gain is not enough to achieve the target PSD.

Clear the APC-OUT-OF-RANGE-TX Alarm

This alarm gets cleared in the following conditions:

- If the requested amplifier gain is outside the current configured gain range, change it to the correct gain-range using the **controller ots egress-ampli-gain-range** *{normal | extended}*.
- If the WSS range is exhausted for a channel, check and correct the power levels on the add ports and ensure that there is no extra attenuation added due to a bad patchcord.
- Check the TX power is configured as required using the **show controllers osc** command. If required, configure the TX power using the **controller osc transmit-power** *value* command.
- Check and clear if there are any **SPAN-LOSS-OUT-OF-RANGE** alarms.

If the alarm does not clear, log into the Technical Support Website at <http://www.cisco.com/c/en/us/support/index.html> for more information or call Cisco TAC (1 800 553-2447).

APC-OUT-OF-RANGE-RX

Default Severity: Minor (MN), Non-Service-Affecting (NSA)

Logical Object: OTS Controller

The APC-OUT-OF-RANGE-RX alarm is raised when the APC system fails to regulate and achieve the target PSD power level in the receive direction.

The possible conditions are:

- amplifier gain is exhausted in a particular gain range.
- WSS range (0-25 dB) is exhausted for a single or multiple channels.
- DGE range (0-3 dB) is exhausted for a single or multiple channels.
- increased span loss and the amplifier gain is not enough to achieve the target PSD.

Clear the APC-OUT-OF-RANGE-RX Alarm

This alarm gets cleared in the following conditions:

- If the requested amplifier gain is outside the current configured gain range, change it to the correct gain-range using the **controller ots egress-ampli-gain-range** *{normal | extended}*.
- If the WSS range is exhausted for a channel, check and correct the power levels on the add ports and ensure that there is no extra attenuation added due to a bad patchcord.
- Check the RX power is configured as required using the **show controllers osc** command. If required, configure the RX power using the **controller osc transmit-power** *value* command.
- Check and clear if there are any **SPAN-LOSS-OUT-OF-RANGE** alarms.

If the alarm does not clear, log into the Technical Support Website at <http://www.cisco.com/c/en/us/support/index.html> for more information or call Cisco TAC (1 800 553-2447).

APC-PARTIAL-TOPOLOGY

Default Severity: Minor (MN), Non-Service-Affecting (NSA)

Logical Object: OTS Controller

The APC-PARTIAL-TOPOLOGY alarm is raised when:

- The APC domain (OLT—OLT) is down due to:
 - Fiber cut in one of the spans in the network.
 - Network events such as: OTS Controller fail/shutdown, OSC fail/shutdown, LC reload, RP reload, and powercycle events.
- The topology is not discovered by the OSPF end-to-end and the connection bring up is pending.

Clear the APC-PARTIAL-TOPOLOGY Alarm

This alarm gets cleared when:

- The fiber issues in the network are resolved, and the connectivity is restored.
- All the participating nodes are recovered from HA events.
- The OSPF is able to discover the topology OLT to OLT.
- All the safety conditions are cleared from the network.

If the alarm does not clear, log into the Technical Support Website at <http://www.cisco.com/c/en/us/support/index.html> for more information or call Cisco TAC (1 800 553-2447).

RAMAN-TUNE-FAILED

Default Severity: Not Alarmed (NA), Non-Service-Affecting (NSA)

Logical Object: OTS Controller

The RAMAN-TUNE-FAILED alarm is raised when Raman tuning is blocked due to:

- Raman tuning turns the Raman pumps off and goes into blocked state because of high Raman back reflection (BR).

If peer nodes are unreachable due to span down, OSC fail, DFB fail and High Availability events like powercycle and card cold reload. Raman tuning requires communication between peer nodes to run.

Clear the RAMAN-TUNE-FAILED Alarm

This alarm gets cleared when:

- Clear the high BR by cleaning the fiber and port, and reconnect the fiber to the port. When BR is at acceptable levels, the system triggers Raman tuning and turns the Raman pumps on which in turn clears the alarm.
- Check the OSPF neighbors are established using the **show ospf neighbor** command. When OSPF neighbors are established, Raman Tuning is started automatically and completes calibration.

If the alarm does not clear, log into the Technical Support Website at <http://www.cisco.com/c/en/us/support/index.html> for more information or call Cisco TAC (1 800 553-2447).

RAMAN-TUNE-GAIN-UNREACHABLE

Default Severity: Not Alarmed (NA), Non-Service-Affecting (NSA)

Logical Object: OTS Controller

The RAMAN-TUNE-GAIN-UNREACHABLE alarm is raised when Raman Tuner is unable to achieve the target gain set by the user or algorithm.

Clear the RAMAN_TUNE_GAIN_UNREACHABLE Alarm

Configure the target Raman gain to the maximum possible value. This triggers the Raman tuning with the new target gain which clears the alarm. Use the following commands to configure the target Raman gain:

```
configure
optical-line-control
controller ots Rack/Slot/Instance/Port
raman-tuning raman-gain-target value
commit
end
```

If the alarm does not clear, log into the Technical Support Website at <http://www.cisco.com/c/en/us/support/index.html> for more information or call Cisco TAC (1 800 553-2447).

RAMAN-TUNE-IN-PROGRESS

Default Severity: Major (MJ), Non-Service-Affecting (NSA)

Logical Object: OTS Controller

The RAMAN-TUNE-IN-PROGRESS alarm is raised when Raman tuning is in progress.

Clear the RAMAN-TUNE-IN-PROGRESS Alarm

This alarm is cleared automatically when any of the following conditions are met:

- Raman tuning is completed. To check the status of Raman tuning, use the **show olc raman-tuning** command.
- Raman tuning is disabled. To disable Raman tuning, use the **raman-tuning disable** command.

If the alarm does not clear, log into the Technical Support Website at <http://www.cisco.com/c/en/us/support/index.html> for more information or call Cisco TAC (1 800 553-2447).

RAMAN-TURNUP-FAIL

Default Severity: Major(MJ), Service-Affecting (SA)

Logical Object: OTS Controller

The RAMAN-TURNUP-FAIL alarm is raised when Ramam turn-up fiber check fails.

Clear the RAMAN-TURNUP-Fail Alarm

Perform one of the following to clear the alarm:

- Clear the OTDR anomalies reported as No-Go events and re-trigger the Raman turnup check.
- If No-Go event can be relaxed, configure relaxation factor to a higher value than the reported minimum relaxation factor and re-trigger the Raman-turn-up check.
- Force Raman turn up through CLI using the **olc force-raman-turn-up controller Ots R/S/I/P** command.

If the alarm does not clear, log into the Technical Support Website at <http://www.cisco.com/c/en/us/support/index.html> for more information or call Cisco TAC (1 800 553-2447).

SPAN-LOSS-OUT-OF-RANGE

Default Severity: Minor (MN), Non-Service-Affecting (NSA)

Logical Object: OTS Controller

The Span Loss Value Out Of Range (SPAN-LOSS-OUT-OF-RANGE) alarm is raised when the span loss measured is not within the configured threshold range.

Clear the SPAN-LOSS-OUT-OF-RANGE Alarm

Check and fix any fiber related issues using the OTDR scan measurements results stored in the SOR file. Use the **show controllers ots R/S/I/P otdr-info direction** command to view the OTDR scan events and the location of the SOR file.

If the alarm does not clear, log into the Technical Support Website at <http://www.cisco.com/c/en/us/support/index.html> for more information or call Cisco TAC (1 800 553-2447).

APC-TARGET-PSD-NOT-MET-RX

Default Severity: Minor (MN), Non-Service-Affecting (NSA)

Logical Object: Optical Line Controller



Note The default value for APC-ALARM-DISCREPANCY-THRESHOLD is set to 1dB and the default value of APC-ALARM-HOLD-OFF-TIMER is set to 30 secs.

The APC-TARGET-PSD-NOT-MET-RX alarm is raised when:

- The difference between the target PSD and current PSD value is more than the APC-ALARM-DISCREPANCY-THRESHOLD value in the receive direction after the APC-ALARM-HOLD-OFF-TIMER expires.
- There is a change in spanloss in the upstream direction for a short time.
- There is no change in spanloss, the reduction in power can also lead to the discrepancy which can raise the alarm.

Clear the APC-TARGET-PSD-NOT-MET-RX Alarm

This alarm gets cleared when:

- The Force APC Correction is done using the CLI **olc start-apc-correction** at the respective controller.
- If the alarm is raised due to the change in spanloss in the upstream direction for a short time, it is cleared once the APC correction is completed. Use the **show olc apc** command to view APC status.
- If the alarm is raised due to no change in spanloss or reduction in power then the amplifier must be checked for the power reduction which is causing the discrepancy. To check if automatic power reduction is enabled on a node amplifier, use the **show olc apc** command.



Note APC-ALARM-DISCREPANCY-THRESHOLD and APC-ALARM-HOLD-OFF-TIMER are configurable parameters that can be configured to required values.

If the alarm does not clear, log into the Technical Support Website at <http://www.cisco.com/c/en/us/support/index.html> for more information or call Cisco TAC (1 800 553-2447).

APC-TARGET-PSD-NOT-MET-TX

Default Severity: Minor (MN), Non-Service-Affecting (NSA)

Logical Object: Optical Line Controller



Note The default value for APC-ALARM-DISCREPANCY-THRESHOLD is set to 1dB and the default value of APC-ALARM-HOLD-OFF-TIMER is set to 30 secs.

The TARGET-PSD-NOT-MET-TX alarm is raised when:

- The difference between the target PSD and current PSD value is more than the APC-ALARM-DISCREPANCY-THRESHOLD value in the transmit direction after the APC-ALARM-HOLD-OFF-TIMER expires.
- There is a change in spanloss in the upstream direction for a short time.
- There is no change in spanloss, the reduction in power can also lead to the discrepancy which can raise the alarm.

Clear the APC-TARGET-PSD-NOT-MET-TX Alarm

This alarm gets cleared when:

- The Force APC Correction is done using the CLI **olc start-apc-correction** at the respective controller.
- If the alarm is raised due to the change in spanloss in the upstream direction for a short time, it is cleared once the APC correction is completed.

- If the alarm is raised due to no change in spanloss or reduction in power then the amplifier must be checked for the power reduction which is causing the discrepancy.



Note APC-ALARM-DISCREPANCY-THRESHOLD and APC-ALARM-HOLD-OFF-TIMER are configurable parameters that can be configured to required values.

If the alarm does not clear, log into the Technical Support Website at <http://www.cisco.com/c/en/us/support/index.html> for more information or call Cisco TAC (1 800 553-2447).

OTDR-ABS-ATTENUATION-EXCEEDED-RX

Default Severity: Minor (MN), Non-Service-Affecting (NSA)

Logical Object: OTS Controller

The OTDR Attenuation Exceeded Absolute Threshold - Receive Direction alarm is raised when any attenuation event in the last scan exceeds the absolute threshold in the Rx direction.

Clear the OTDR-ABS-ATTENUATION-EXCEEDED-RX Alarm

The alarm is cleared automatically when one of the following conditions is satisfied:

- The value of the excess attenuation threshold that is configured is lower than the magnitude of the attenuation event.
- The attenuation event in the last scan is below the threshold.

If the alarm does not clear, log into the Technical Support Website at <http://www.cisco.com/c/en/us/support/index.html> for more information or call Cisco TAC (1 800 553-2447).

OTDR-ABS-ATTENUATION-EXCEEDED-TX

Default Severity: Minor (MN), Non-Service-Affecting (NSA)

Logical Object: OTS Controller

The OTDR Attenuation Exceeded Absolute Threshold - Transmit Direction alarm is raised when any attenuation event in the last scan exceeds the absolute threshold in the Tx direction.

Clear the OTDR-ABS-ATTENUATION-EXCEEDED-TX Alarm

The alarm is cleared automatically when one of the following conditions is satisfied:

- The value of the excess attenuation threshold that is configured is lower than the magnitude of the attenuation event.

- The attenuation event in the last scan is below the threshold.

If the alarm does not clear, log into the Technical Support Website at <http://www.cisco.com/c/en/us/support/index.html> for more information or call Cisco TAC (1 800 553-2447).

OTDR-ABS-ORL-EXCEEDED-RX

Default Severity: Minor (MN), Non-Service-Affecting (NSA)

Logical Object: OTS Controller

The ORL Exceeded Threshold - Receive Direction alarm is raised if the current ORL value crosses its threshold value.

Clear the OTDR-ABS-ORL-EXCEEDED-RX Alarm

Step 1 Clean the fiber causing the major reflection contribution.

Major reflection contribution can be found in the OTDR Scans.

Step 2 Alternatively, change the ORL threshold using the command **Controller Ots R/S/I/P otdr rx auto excess-orl-threshold value**

If the alarm does not clear, log into the Technical Support Website at <http://www.cisco.com/c/en/us/support/index.html> for more information or call Cisco TAC (1 800 553-2447).

OTDR-ABS-ORL-EXCEEDED-TX

Default Severity: Minor (MN), Non-Service-Affecting (NSA)

Logical Object: OTS Controller

The ORL Exceeded Threshold - Transmit Direction alarm is raised if the current ORL value crosses its threshold value.

Clear the OTDR-ABS-ORL-EXCEEDED-TX Alarm

Step 1 Clean the fiber causing the major reflection contribution.

Major reflection contribution can be found in the OTDR Scans.

Step 2 Alternatively, change the ORL threshold using the command **Controller Ots R/S/I/P otdr tx auto excess-orl-threshold value**

If the alarm does not clear, log into the Technical Support Website at <http://www.cisco.com/c/en/us/support/index.html> for more information or call Cisco TAC (1 800 553-2447).

OTDR-ABS-REFLECTANCE-EXCEEDED-RX

Default Severity: Minor (MN), Non-Service-Affecting (NSA)

Logical Object: OTS Controller

The OTDR Reflectance Exceeded Absolute Threshold - Receive Direction alarm is raised when the reflectance event in the last scan exceeds the absolute threshold in the Rx direction.

Clear the OTDR-ABS-REFLECTANCE-EXCEEDED-RX Alarm

The alarm is cleared automatically when one of the following conditions is satisfied:

- The excess reflection threshold that is configured is lower than the magnitude of the reflective event.
- The reflectance event in the last scan is below the threshold.

If the alarm does not clear, log in to the Technical Support Website at <http://www.cisco.com/c/en/us/support/index.html> for more information or call Cisco TAC (1 800 553-2447).

OTDR-ABS-REFLECTANCE-EXCEEDED-TX

Default Severity: Minor (MN), Non-Service-Affecting (NSA)

Logical Object: OTS Controller

The OTDR Reflectance Exceeded Absolute Threshold - Transmit Direction alarm is raised when the reflectance event in the last scan exceeds the absolute threshold in the Tx direction.

Clear the OTDR-ABS-REFLECTANCE-EXCEEDED-TX Alarm

The alarm is cleared automatically when one of the following conditions is satisfied:

- The excess reflection threshold that is configured is lower than the magnitude of the reflective event.
- The reflectance event in the last scan is below the threshold.

If the alarm does not clear, log in to the Technical Support Website at <http://www.cisco.com/c/en/us/support/index.html> for more information or call Cisco TAC (1 800 553-2447).

OTDR-SCAN-FAILED-RX

Default Severity: Major (MJ), Non-Service-Affecting (NSA)

Logical Object: OTS Controller

The OTDR Scan Failed - Receive Direction is raised when the OTDR scan fails and no result is provided to the user.

Clear the OTDR-SCAN-FAILED-RX Alarm

This alarm is cleared after performing a successful OTDR scan in Rx direction.

If the alarm does not clear, log into the Technical Support Website at <http://www.cisco.com/c/en/us/support/index.html> for more information or call Cisco TAC (1 800 553-2447).

OTDR-SCAN-FAILED-TX

Default Severity: Major (MJ), Non-Service-Affecting (NSA)

Logical Object: OTS Controller

The OTDR Scan Failed - Transmit Direction alarm is raised when the OTDR scan fails and no result is provided to the user.

Clear the OTDR-SCAN-FAILED-TX Alarm

This alarm is cleared after performing a successful OTDR scan in Tx direction.

If the alarm does not clear, log into the Technical Support Website at <http://www.cisco.com/c/en/us/support/index.html> for more information or call Cisco TAC (1 800 553-2447).

OTDR-SCAN-IN-PROGRESS-RX

Default Severity: Minor (MN), Non-Service-Affecting (NSA)

Logical Object: OTS Controller

The OTDR Scan In Progress – Receive Direction alarm is raised when OTDR scan is running in Rx direction.

Clear the OTDR-SCAN-IN-PROGRESS-RX Alarm

The alarm is cleared automatically when the OTDR scan is completed or terminated by the user.

If the alarm does not clear, log into the Technical Support Website at <http://www.cisco.com/c/en/us/support/index.html> for more information or call Cisco TAC (1 800 553-2447).

OTDR-SCAN-IN-PROGRESS-TX

Default Severity: Minor (MN), Non-Service-Affecting (NSA)

Logical Object: OTS Controller

The OTDR Scan In Progress – Transmit Direction alarm is raised when OTDR scan is running in Tx direction.

Clear the OTDR-SCAN-IN-PROGRESS-TX Alarm

The alarm is cleared automatically when the OTDR scan is completed or terminated by the user.

If the alarm does not clear, log into the Technical Support Website at <http://www.cisco.com/c/en/us/support/index.html> for more information or call Cisco TAC (1 800 553-2447).

Clear the OTDR-SCAN-IN-PROGRESS-TX Alarm



CHAPTER 4

General Troubleshooting

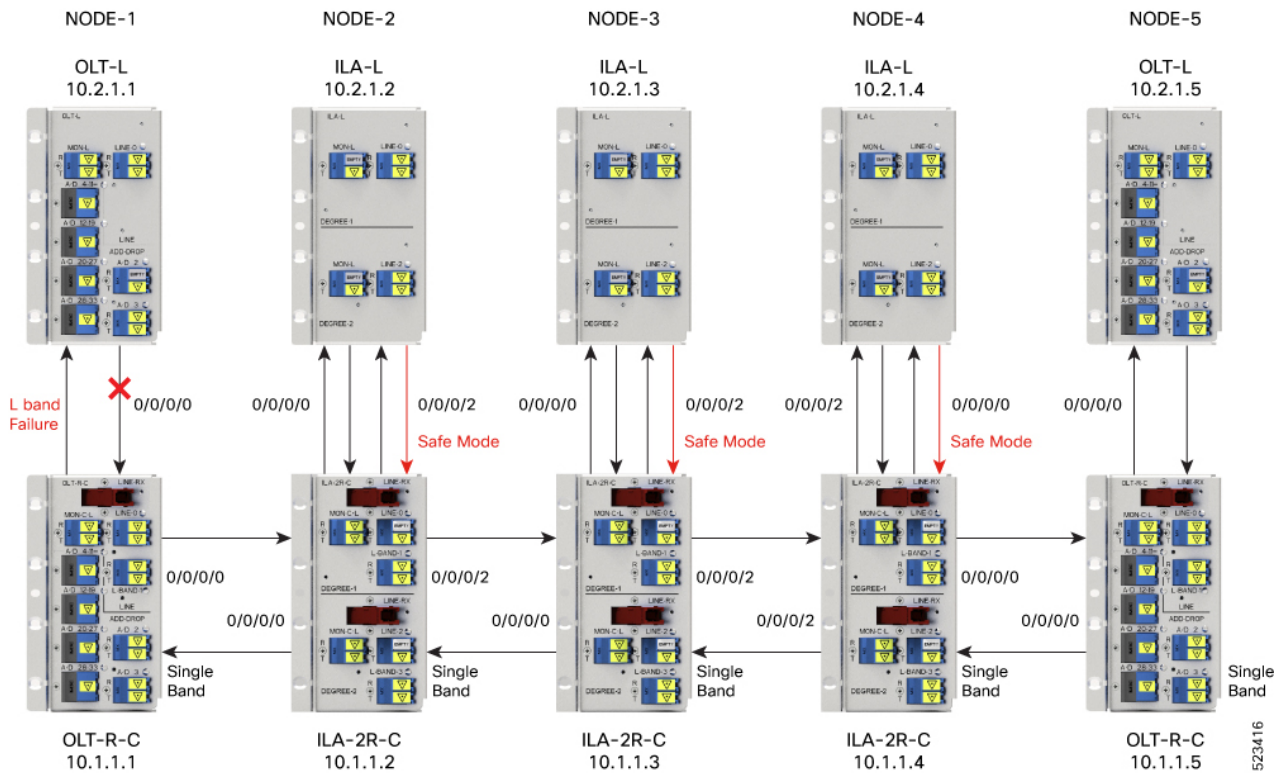
This chapter provides procedures for troubleshooting the most common problems encountered when operating the NCS 1010 chassis.

- [Troubleshooting L Band Failure on a C+L Band Network, on page 45](#)
- [Troubleshooting C Band Failure on a C+L Band Network, on page 48](#)
- [Troubleshooting Span Failure on a C+L Band Network, on page 51](#)
- [Troubleshooting RP or LC Warm Reload on a C+L Band Network, on page 54](#)
- [Troubleshooting Client-Side Failure, on page 57](#)
- [Troubleshooting Line Port SPAN Failure, on page 59](#)
- [Troubleshooting Express Connection Failure Between Two Passive Devices, on page 62](#)
- [Troubleshooting Power Oscillation in the Network, on page 64](#)
- [Troubleshooting Connection Verification Failures, on page 65](#)

Troubleshooting L Band Failure on a C+L Band Network

In this section, we will troubleshoot L band failure due to connectivity failure between OLT-C and OLT-L nodes. To troubleshoot L-band failure on a C+L band network, start by running the following commands on the manager nodes:

Figure 1: Example of L-band Failure



Step 1 Run the `show olc band-status` command on node 10.2.1.1.

Example:

The following command example shows the status of all the L-band nodes as FAILED which indicates that the issue is between the L-band devices of nodes 10.2.1.1 and 10.2.1.2.

```
RP/0/RPO/CPU0#show olc band-status
Fri Dec 16 03:02:07.304 UTC

Controller          : Ots0/0/0/0
Self-Band           : C-Band
BFR status          : Running

Node RID            : 10.2.1.1
Self IP Address     : 192.0.2.1
Self Controller     : Ots0/0/0/0
Partner IP address  : 192.0.2.2
Partner Controller  : Ots0/0/0/0
Partner link status : UP
C-Band status       : ACTIVE
C-Band PSD          : Single Band
L-Band status      : FAILED
L-Band PSD          : NA

Node RID            : 10.2.1.2
Self IP Address     : 198.51.100.1
Self Controller     : Ots0/0/0/0
Partner IP address  : 198.51.100.2
Partner Controller  : Ots0/0/0/2
```

```

Partner link status      : UP
C-Band status           : ACTIVE
C-Band PSD              : Single Band
L-Band status         : FAILED
L-Band PSD              : NA

Node RID                 : 10.2.1.3
Self IP Address         : 203.0.113.1
Self Controller         : Ots0/0/0/0
Partner IP address      : 203.0.113.2
Partner Controller      : Ots0/0/0/2
Partner link status     : UP
C-Band status           : ACTIVE
C-Band PSD              : Single Band
L-Band status         : FAILED
L-Band PSD              : NA

Node RID                 : 10.2.1.4
Self IP Address         : 209.165.200.225
Self Controller         : Ots0/0/0/0
Partner IP address      : 209.165.200.226
Partner Controller      : Ots0/0/0/0
Partner link status     : UP
C-Band status           : ACTIVE
C-Band PSD              : Single Band
L-Band status         : FAILED
L-Band PSD              : NA

```

```

Node RID                 : 10.2.1.5
Self IP Address         : 209.165.201.1
Self Controller         : Ots0/0/0/0
Partner IP address      : 209.165.201.2
Partner Controller      : Ots0/0/0/0
Partner link status     : UP
C-Band status           : ACTIVE
C-Band PSD              : Single Band
L-Band status         : FAILED
L-Band PSD              : NA

```

All the network failure conditions might not reflect in the **show olc band-status** command output. Proceed to the next step to troubleshoot further.

Based on the above output, it appears that all of the C band nodes are currently active, indicating that the span has not been impacted.

Step 2 Run the **show olc apc** command on node 10.2.1.1.

Example:

The following example shows the APC status as **BLOCKED** with the *Blocked Reason* as **PARTIAL-TOPOLOGY**. As the APC manager discovers only node 10.2.1.1 and the rest nodes are not discovered. This clearly indicates that the neighbour node of 10.2.1.1 is not reachable. This indicates hence connectivity failure is between the OLT-C node 10.1.1.1 and OLT-L node 10.1.1.2.

```

RP/0/RP0/CPU0:P1BL_DT_07#show olc apc
Mon Dec 26 09:32:23.624 UTC

Controller              : Ots0/0/0/0
APC Status              : BLOCKED
Blocked Reason       : [ PARTIAL-TOPOLOGY  NODE-BLOCKED ]

Node RID                : 10.2.1.1

```

```
Internal State : BLOCKED
Blocked Reason : [ AMPLI-SHUT ]
```

Step 3 Run the **show alarms brief system active** command.

Example:

The following example shows the *Loss Of Continuity* alarm which confirms the fiber failure between the the OLT-L node 10.2.1.1 and ILA-L node 10.2.1.2.

```
RP/0/RP0/CPU0:P1BL_DT_07#show alarms brief system active
```

```
0/0/NXR0      Minor      Software      12/26/2022 09:27:47 UTC    Ots0/0/0/0 - APC Partial
topology

0/0           Major      Ethernet      12/26/2022 09:27:47 UTC    GigabitEthernet0/0/0/0 -
Loss of Synchronization The Data Interface

0/0/NXR0      Minor      Software      12/26/2022 09:32:15 UTC    Ots0/0/0/0 - APC blocked

0/0           Critical   Controller    12/26/2022 09:32:16 UTC    Ots0/0/0/0 - Loss Of Continuity

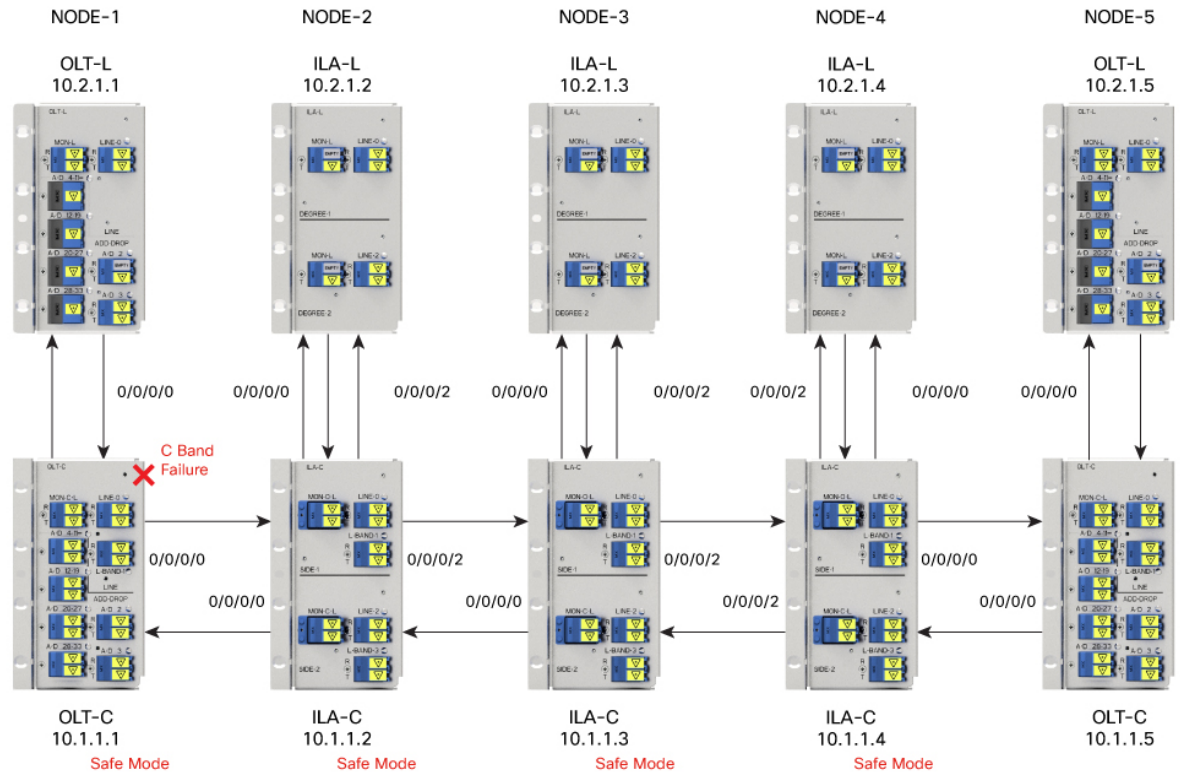
0/0           Not Alarmed Controller    12/26/2022 09:32:16 UTC    Ots0/0/0/0 - Egress Amplifier
OFF for Safety Reasons
```

Hence, from steps 2 and 3 outputs, we can conclude that the connectivity failure is between the OLT-L node 10.2.1.1 and ILA-L node 10.2.1.2, and the *Loss Of Continuity* alarm confirms the fiber failure between the nodes 10.2.1.1 and 10.2.1.2.

Troubleshooting C Band Failure on a C+L Band Network

In this section, we will troubleshoot C band failure due to amplifier shutdown or failure. To troubleshoot C-band failure on a C+L band network, start by running the following commands on the manager nodes in the same order:

Figure 2: Example of C-band Failure on a C+L Band Network



523164

Step 1 Run the `show olc band-status` command on node 10.1.1.1.

Example:

The following command example shows the status of all the C-band nodes as FAILED which indicates that the issue is between the C-band devices of nodes 10.1.1.1 and 10.1.1.2.

```
RP/0/RP0/CPU0:#sh olc band-status
Tue Feb  7 13:37:38.618 UTC

Controller          : Ots0/0/0/0
Self-Band           : C-Band
BFR status          : Running

Node RID            : 10.1.1.1
Self IP address     : 10.9.1.1
Self Controller     : Ots0/0/0/0
Partner IP address  : 192.0.2.1
Partner Controller  : Ots0/0/0/0
Partner link status : UP
C-Band status      : FAILED
C-Band PSD          : NA
L-Band status       : ACTIVE
L-Band PSD          : Single Band

Node RID            : 10.1.1.2
Self IP address     : 192.0.2.8
Self Controller     : Ots0/0/0/2
Partner IP address  : 192.0.2.2
Partner Controller  : Ots0/0/0/2
```

```

Partner link status      : UP
C-Band status         : FAILED
C-Band PSD              : NA
L-Band status          : ACTIVE
L-Band PSD             : Single Band

Node RID                : 10.1.1.3
Self IP address         : 198.51.100.1
Self Controller         : Ots0/0/0/2
Partner IP address     : 192.0.2.3
Partner Controller     : Ots0/0/0/2
Partner link status    : UP
C-Band status         : FAILED
C-Band PSD              : NA
L-Band status          : ACTIVE
L-Band PSD             : Single Band

Node RID                : 10.1.1.4
Self IP address         : 203.0.113.1
Self Controller         : Ots0/0/0/0
Partner IP address     : 192.0.2.4
Partner Controller     : Ots0/0/0/0
Partner link status    : UP
C-Band status         : FAILED
C-Band PSD              : NA
L-Band status          : ACTIVE
L-Band PSD             : Single Band

Node RID                : 10.1.1.5
Self IP address         : 209.165.200.225
Self Controller         : Ots0/0/0/0
Partner IP address     : 192.0.2.5
Partner Controller     : Ots0/0/0/0
Partner link status    : UP
C-Band status         : FAILED
C-Band PSD              : NA
L-Band status          : ACTIVE
L-Band PSD             : Single Band

```

All the network failure conditions might not reflect in the **show olc band-status** command output. Proceed to the next step to troubleshoot further.

Step 2 Run the **show olc apc** command on node 10.1.1.1.

Example:

The following command output shows APC status of Manager node as NODE-BLOCKED. As the APC manager shows the *Blocked Reason* of the agent node 10.1.1.1 as AMPLI-SHUT, it clearly indicates that amplifier is set to OFF state between the manager node 10.1.1.1 and the agent node 10.1.1.2.

```

RP/0/RP0/CPU0:# show olc apc
Tue Feb  7 13:37:40.146 UTC

Controller      : Ots0/0/0/0
APC Status      : BLOCKED
Blocked Reason  : [ NODE-BLOCKED ]

Node RID        : 10.1.1.1
Internal State  : BLOCKED
Blocked Reason  : [ AMPLI-SHUT ]

Node RID        : 10.1.1.2
Internal State  : BLOCKED
Blocked Reason  : [ BAND-FAILURE ]

```

```
Node RID      : 10.1.1.3
Internal State : BLOCKED
Blocked Reason : [ BAND-FAILURE ]

Node RID      : 10.1.1.4
Internal State : BLOCKED
Blocked Reason : [ BAND-FAILURE ]

Node RID      : 10.1.1.5
Internal State : BLOCKED
Blocked Reason : [ AMPLI-SHUT ]
```

Step 3 Run the **show alarms brief system active** command.

Example:

The following example shows APC output as BLOCKED but without any partial topology alarm which indicates that the span is intact.

```
RP/0/RP0/CPU0:#show alarms b s a
```

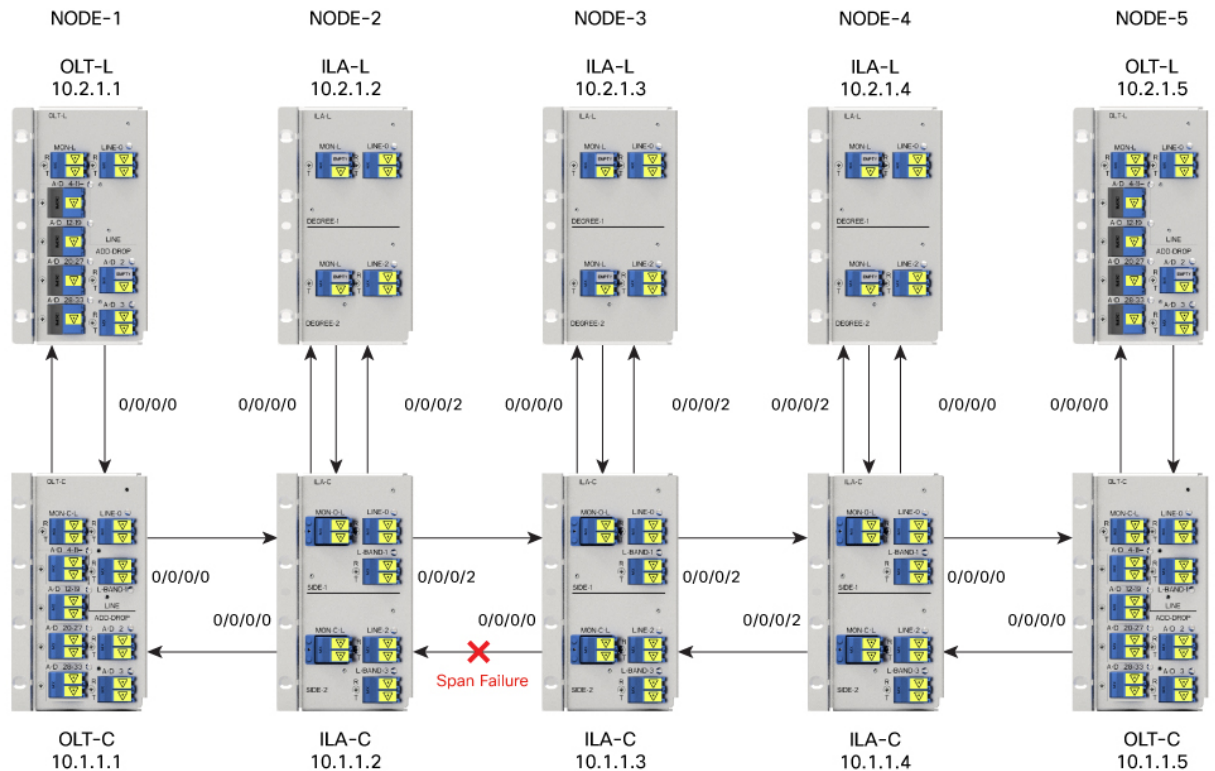
```
0/0/NXR0      Minor      Software      02/07/2023 13:37:16 UTC      Ots0/0/0/0 - APC blocked
```

Based on the analysis of steps 2 and 3 we can conclude that the amplifier between the manager node 10.1.1.1 and the agent node 10.1.1.2 is shut down which has caused the C-band 10.1.1.1 to fail.

Troubleshooting Span Failure on a C+L Band Network

To troubleshoot span failure on a C+L band network, start by running the following commands on the manager nodes in the same order:

Figure 3: Example of Span Failure



Step 1 Run the `show olc band-status` command on node 10.1.1.1.

Example:

The following command output shows that the C and L-band devices from the nodes 10.1.1.2 to 10.1.1.5 are FAILED, there is a possibility of span failure.

```
RP/0/RP0/CPU0:#sh olc band-status
Tue Feb  7 13:55:21.265 UTC

Controller          : Ots0/0/0/0
Self-Band           : C-Band
BFR status          : Running

Node RID            : 10.1.1.1
Self IP Address     : 192.0.2.1
Self Controller     : Ots0/0/0/0
Partner IP address  : 192.0.2.2
Partner Controller  : Ots0/0/0/0
Partner link status : UP
C-Band status       : ACTIVE
C-Band PSD          : Dual Band
L-Band status       : ACTIVE
L-Band PSD          : Dual Band

Node RID            : 10.1.1.2
Self IP address     : 198.51.100.1
Self Controller     : Ots0/0/0/2
Partner IP address  : 198.51.100.2
Partner Controller  : Ots0/0/0/2
```

```

Partner link status      : UP
C-Band status         : FAILED
C-Band PSD              : NA
L-Band status         : FAILED
L-Band PSD              : NA

Node RID                 : 10.1.1.3
Self IP address         : 203.0.113.1
Self Controller         : Ots0/0/0/2
Partner IP address     : 203.0.113.2
Partner Controller     : Ots0/0/0/2
Partner link status    : NA
C-Band status         : FAILED
C-Band PSD             : NA
L-Band status         : FAILED
L-Band PSD             : NA

Node RID                 : 10.1.1.4
Self IP address         : 209.165.200.225
Self Controller         : Ots0/0/0/0
Partner IP address     : 209.165.200.226
Partner Controller     : Ots0/0/0/0
Partner link status    : NA
C-Band status         : FAILED
C-Band PSD             : NA
L-Band status         : FAILED
L-Band PSD             : NA

Node RID                 : 10.1.1.5
Self IP address         : 209.165.201.1
Self Controller         : Ots0/0/0/0
Partner IP address     : 209.165.201.2
Partner Controller     : Ots0/0/0/0
Partner link status    : NA
C-Band status         : FAILED
L-Band status         : FAILED

```

All the network failure conditions might not reflect in the **show olc band-status** command output. Proceed to the next step to troubleshoot further.

Step 2 Run the **show olc apc** command on node 10.1.1.1.

Example:

The following command output shows the APC status as BLOCKED with the reason as PARTIAL-TOPOLOGY on both C and L-band OLT devices. This indicates that there is a span failure.

```

RP/0/RP0/CPU0:# show olc apc

Controller      : Ots0/0/0/0
APC Status     : BLOCKED
Blocked Reason  : [ PARTIAL-TOPOLOGY  NODE-BLOCKED ]

Node RID       : 10.1.1.1
Internal State : IDLE

Node RID       : 10.1.1.2
Internal State : BLOCKED
Blocked Reason : [ AMPLI-SHUT ]

```

Step 3 Run the **show alarms brief system active** command.

Example:

The following example shows the *Loss Of Signal* alarm which confirms the span failure.

```
RRP/0/RP0/CPU0:3#sh alarms breif system active
```

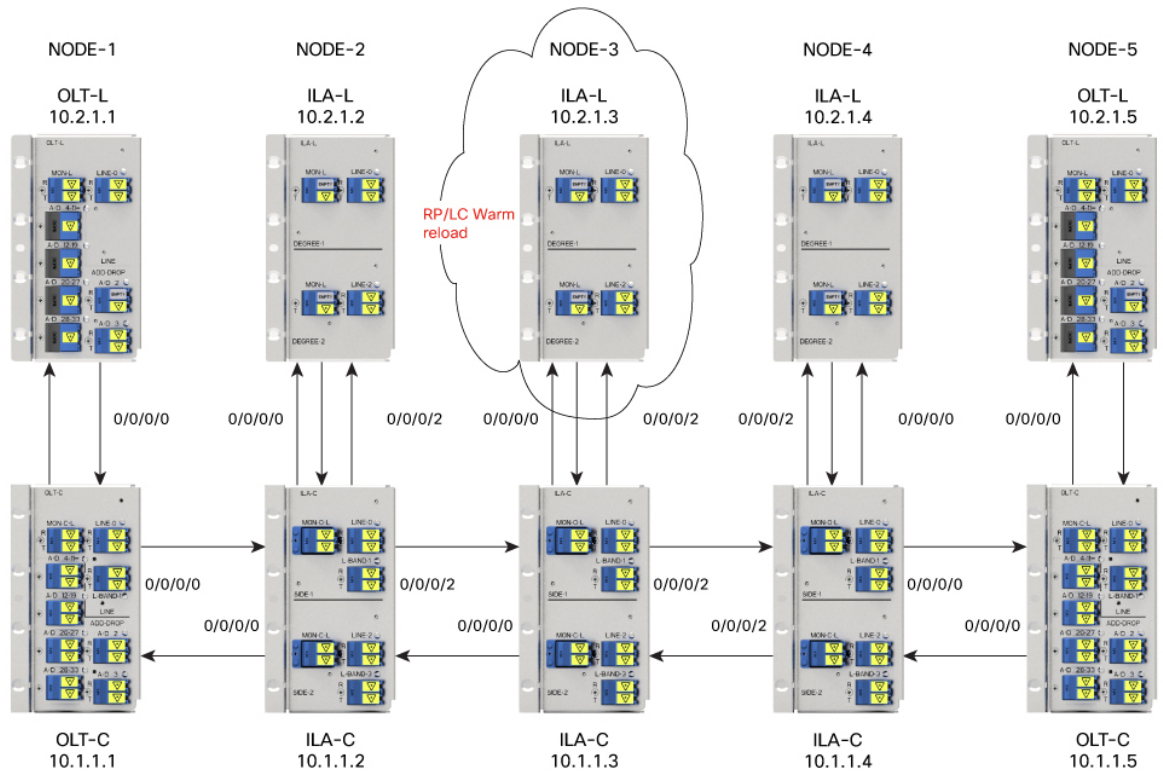
0/0/NXR0 topology	Minor	Software	02/07/2023 13:52:44 UTC	Ots0/0/0/0 - APC Partial
0/0/NXR0	Minor	Software	02/07/2023 14:01:39 UTC	Ots0/0/0/0 - APC blocked
0/0 - Payload	Critical	Controller	02/07/2023 13:55:00 UTC	Ots0/0/0/0 - Loss of Signal

Hence, from steps 2 and 3 outputs, we can conclude that the PARTIAL-TOPOLOGY status on the OLT devices and the *Loss Of Signal* alarm confirmed the span failure.

Troubleshooting RP or LC Warm Reload on a C+L Band Network

On a C+L band network, RP or LC warm reload on a C or L band device might affect the partner band connectivity. In this case, traffic is not impacted. To troubleshoot a RP or LC warm reload on a C+L band network, following these steps:

Figure 4: Example RP or LC Warm Reload Troubleshooting on C+L Band Network



523165

Step 1 Run the **show olc band-status** command on node 10.1.1.1.

Example:

The following example shows the *Partner link status* at node 10.1.1.3 is DOWN. *Partner link status* can be down due to communication failure between C and L-band devices at the node which can be due to RP reload, power cycle event or LC cold reload.

```
RP/0/RP0/CPU0:#sh olc band-status
Tue Feb  7 14:14:40.933 UTC

Controller          : Ots0/0/0/0
Self-Band           : C-Band
BFR status          : Running

Node RID            : 10.1.1.1
Self IP address     : 192.0.2.1
Self Controller     : Ots0/0/0/0
Partner IP address  : 198.51.100.2
Partner Controller  : Ots0/0/0/0
Partner link status : UP
C-Band status       : ACTIVE
C-Band PSD          : Dual Band
L-Band status       : ACTIVE
L-Band PSD          : Dual Band

Node RID            : 10.1.1.2
Self IP address     : 192.0.2.2
Self Controller     : Ots0/0/0/2
Partner IP address  : 198.51.100.1
Partner Controller  : Ots0/0/0/2
Partner link status : UP
C-Band status       : ACTIVE
C-Band PSD          : Dual Band
L-Band status       : ACTIVE
L-Band PSD          : Dual Band

Node RID            : 10.1.1.3
Self IP address     : 192.0.2.3
Self Controller     : Ots0/0/0/2
Partner IP address  : 203.0.113.1
Partner Controller  : Ots0/0/0/2
Partner link status : DOWN
C-Band status       : ACTIVE
C-Band PSD          : Dual Band
L-Band status       : ACTIVE
L-Band PSD          : Dual Band

Node RID            : 10.1.1.4
Self IP address     : 192.0.2.4
Self Controller     : Ots0/0/0/0
Partner IP address  : 209.165.200.225
Partner Controller  : Ots0/0/0/0
Partner link status : UP
C-Band status       : ACTIVE
C-Band PSD          : Dual Band
L-Band status       : ACTIVE
L-Band PSD          : Dual Band

Node RID            : 10.1.1.5
Self IP address     : 192.0.2.5
Self Controller     : Ots0/0/0/0
```

```

Partner IP address      : 209.165.201.1
Partner Controller     : Ots0/0/0/0
Partner link status    : UP
C-Band status          : ACTIVE
L-Band status          : ACTIVE

```

All the network failure conditions might not reflect in the **show olc band-status** command output. Proceed to the next step to troubleshoot further.

To investigate further, run the command in step 2.

Step 2 Run the **show olc apc** command on node 10.1.1.1 and 10.2.1.1.

Example:

The following command example on node 10.1.1.1 shows APC status on OLT-C device as IDLE as the APC manager discovers all the C-band nodes. This clearly indicates all the C-Band nodes are active.

```

RP/0/RP0/CPU0:#show olc apc

Controller      : Ots0/0/0/0
APC Status      : IDLE

Node RID        : 10.1.1.1
Internal State  : IDLE

Node RID        : 10.1.1.2
Internal State  : IDLE

Node RID        : 10.1.1.3
Internal State  : IDLE

Node RID        : 10.1.1.4
Internal State  : IDLE

Node RID        : 10.1.1.5
Internal State  : IDLE

```

Example:

The following command example on 10.2.1.1 shows APC manager discovers only nodes 10.2.1.1 and 10.2.1.2. This indicates that the L-Band device 10.2.1.3 is not reachable to the manager node 10.2.1.1.

```

RP/0/RP0/CPU0:#show olc apc
Tue Feb  7 14:16:46.264 UTC

Controller      : Ots0/0/0/0
APC Status      : BLOCKED
Blocked Reason  : [ PARTIAL-TOPOLOGY ]

Node RID        : 10.2.1.1
Internal State  : IDLE

Node RID        : 10.2.1.2
Internal State  : IDLE

```

Step 3 Run the **show alarms brief system active** command on 10.2.1.1.

Example:

The following command example shows the *Node is unpaired from band partner node* alarm which confirms connection between node 10.2.1.3 is not paired with 10.1.1.3.

```

RP/0/RP0/CPU0:P1BL_DT_07#show alarms brief system active

```



```
RP/0/RP0/CPU0:P1BL_DT_07#show alarms brief system active      0/0/NXR0      NotAlarmed   Software
02/07/2023 14:13:01 UTC      Node is unpaired from band partner node
```

The analysis of steps 2 and 3 confirm that node 10.2.1.3 is not available due to RP or LC warm reload.

Troubleshooting Client-Side Failure

Problem

This problem occurs when there is a signal payload loss in the following conditions:

- If the fiber cut occurs at the client-side in the direction from the client to the NCS 1010, the LOS-P alarm is raised at the AD port controller OTS.
- If the fiber cut occurs at the client-side in the direction from the NCS 1010 to the client, the LOS-P alarm is raised at the Passive device controller OMS.

Topology and Components

To build this topology, you need the following hardware:

- Cisco NCS 1010 devices
- NCS1K-MD32E-C modules
- NCS1K-MD32O-C modules
- NCS1K-BRK-24 modules
- QDD-400G-ZR-S transceiver

The following figure displays client-side failure due to fiber cut:


```
Total Rx Power = -50.00 dBm
Total Tx Power = -50.00 dBm
Ingress Ampli Mode = Gain
Ingress Ampli Gain = 0.0 dB
Ingress Ampli Tilt = 0.0 dB
```

```
Configured Parameters:
```

```
-----
Ingress Ampli Mode = Gain
Ingress Ampli Gain = 16.0 dB
Ingress Ampli Power = -3.0 dBm
Ingress Ampli Tilt = 0.0 dB
Rx Low Threshold = -3276.8 dBm
Tx Low Threshold = -3276.8 dBm
```

Example 2

The following example shows how to determine LOS-P failure at the passive device controller OMS:

```
RP/0/RP0/CPU0:P2A_DT_07#sh controllers oms 0/1/0/8
Tue Mar 28 16:00:33.685 UTC
```

```
Controller State: Down
```

```
Transport Admin State: Automatic In Service
```

```
LED State: Red
```

```
Alarm Status:
```

```
-----
Detected Alarms:
```

```
    RX-LOS-P
```

```
Alarm Statistics:
```

```
-----
RX-LOS-P = 1
TX-POWER-FAIL-LOW = 0
```

```
Parameter Statistics:
```

```
-----
Tx Power = -50.00 dBm
Rx Power = -50.00 dBm
```

Solution

See [RX-LOS-P](#) to resolve this alarm.

Troubleshooting Line Port SPAN Failure

Problem

This problem occurs when there is a loss of fiber connection at the Line port due to fiber cut. As a result, the LOC alarm is raised at the Line OTS controller.

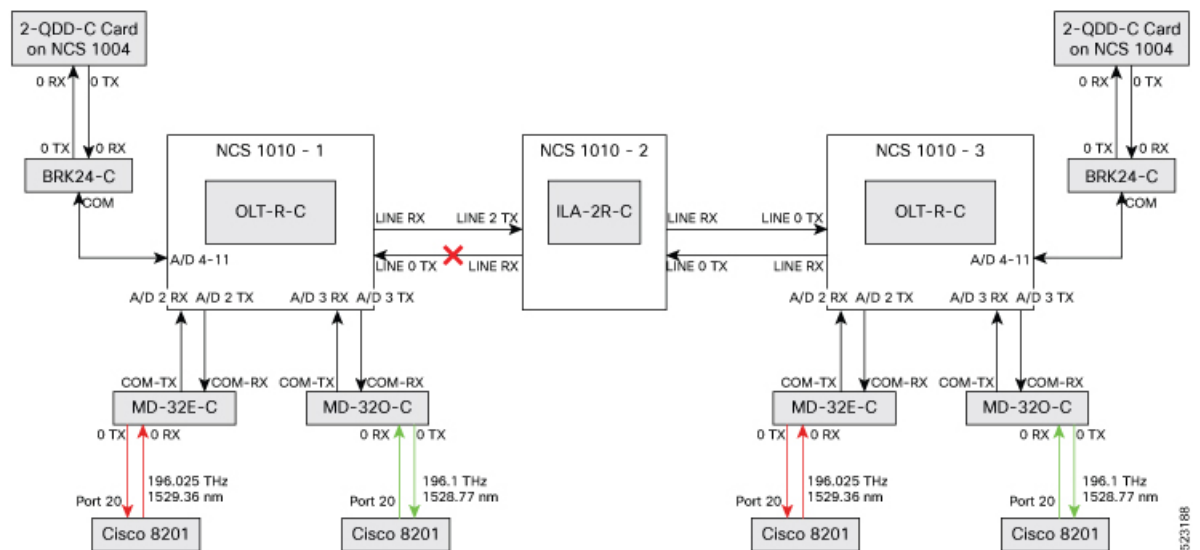
Topology and Components

To build this point-to-point topology, you need the following hardware:

- Cisco NCS 1010 devices
- NCS1K-MD32E-C modules
- NCS1K-MD32O-C modules
- QDD-400G-ZR-S transceiver

The following figure shows loss of fiber connection continuity at the Line port:

Figure 6: Fiber Cut at the Line OTS Controller



Example 1

The following example shows how to determine a span failure.

```
RP/0/RP0/CPU0:ios#show controllers ots0/0/0/0
Tue Mar 28 15:48:31.486 UTC
```

```
Controller State: Down
```

```
Transport Admin State: In Service
```

```
LED State: Red
```

Alarm Status:

```
-----
```

Detected Alarms:

```
  RX-LOS-P
  RX-LOC
  EGRESS-AUTO-LASER-SHUT
```

Alarm Statistics:

```
-----
```

```
RX-LOS-P = 2
RX-LOC = 2
```

```
TX-POWER-FAIL-LOW = 3
INGRESS-AUTO-LASER-SHUT = 0
INGRESS-AUTO-POW-RED = 0
INGRESS-AMPLI-GAIN-LOW = 0
INGRESS-AMPLI-GAIN-HIGH = 0
EGRESS-AUTO-LASER-SHUT = 2
EGRESS-AUTO-POW-RED = 0
EGRESS-AMPLI-GAIN-LOW = 0
EGRESS-AMPLI-GAIN-HIGH = 0
HIGH-TX-BR-PWR = 0
HIGH-RX-BR-PWR = 0
SPAN-TOO-SHORT-TX = 0
SPAN-TOO-SHORT-RX = 0
```

Parameter Statistics:

```
-----
Total Rx Power(C+L) = 10.69 dBm
Total Tx Power(C+L) = 19.50 dBm
Total Rx Power = -50.00 dBm
Total Tx Power = -50.00 dBm
Rx Signal Power = -50.00 dBm
Tx Signal Power = -50.00 dBm
BR Power = -90.00 dBm
Tx Voa Attenuation = 15.0 dB
Ingress Ampli Mode = Gain
Ingress Ampli Gain = 0.0 dB
Ingress Ampli Tilt = 0.0 dB
Ingress Ampli Gain Range = Normal
Ingress Ampli Safety Control mode = auto
Ingress Ampli OSRI = OFF
Ingress Ampli Force Apr = OFF
Egress Ampli Mode = Gain
Egress Ampli Gain = 0.0 dB
Egress Ampli Tilt = 0.0 dB
Egress Ampli Safety Control mode = auto
Egress Ampli OSRI = OFF
Egress Ampli Force APR = OFF
Egress Ampli BR = ENABLE
```

Configured Parameters:

```
-----
Tx Voa Attenuation = 15.0 dB
Ingress Ampli Mode = Gain
Ingress Ampli Gain = 12.0 dB
Ingress Ampli Power = -1.0 dBm
Ingress Ampli Tilt = 0.0 dB
Ingress Ampli Gain Range = Normal
Ingress Ampli Safety Control mode = auto
Ingress Ampli OSRI = OFF
Ingress Ampli Force Apr = OFF
Egress Ampli Mode = Gain
Egress Ampli Gain = 16.0 dB
Egress Ampli Power = 5.0 dBm
Egress Ampli Tilt = 0.0 dB
Egress Ampli Safety Control mode = auto
Egress Ampli OSRI = OFF
Egress Ampli Force APR = OFF
Egress Ampli BR = ENABLE
BR High Threshold = -17.0 dBm
Rx Low Threshold = -3276.8 dBm
Tx Low Threshold = -3276.8 dBm
```

Solution

See [RX-LOC Alarm](#) to resolve this problem.

Troubleshooting Express Connection Failure Between Two Passive Devices

Problem

This problem occurs when there is a signal payload loss in the express connections between two passive devices due to a fiber cut. As a result, the LOS-P alarm is raised at the passive device controller OCH.

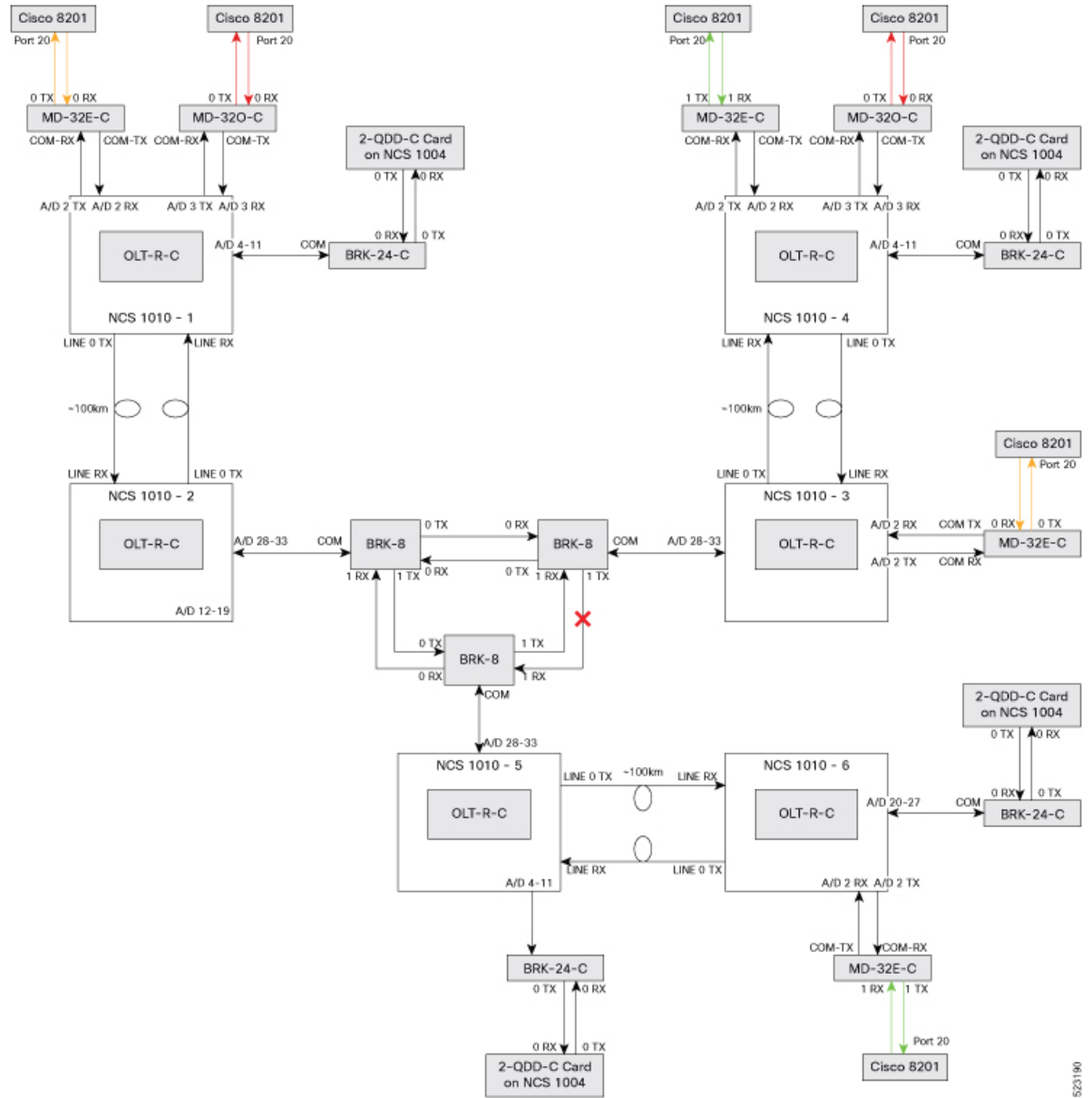
Topology and Component

To build this topology, you need the following hardware.

- Cisco NCS 1010 devices
- NCS1K-MD32E-C modules
- NCS1K-MD32O-C modules
- NCS1K-BRK-8 modules
- NCS1K-BRK-24 modules
- Cisco 8201 routers
- QDD-400G-ZR-S transceivers
- CFP2-400G-DCO transceivers
- Cisco NCS 1004 devices
- NCS1K4-2-QDD-C-K9 line card
- LC/LC cables
- MPO cables

The following figure displays the fiber cut between two passive devices:

Figure 7: Fiber Cut Between Two Passive Devices



Example 1

The following example shows how to determine the fiber cut between two passive devices:

```
RP/0/RP0/CPU0:OLT-C-SITE-2#sh controllers och 0/3/0/0
Wed Apr 12 10:25:27.139 IST
```

```
Controller State: Down
Transport Admin State: In Service
LED State: Red
```

```

Alarm Status:
-----
Detected Alarms:
    RX-LOS-P

Alarm Statistics:
-----
RX-LOS-P = 1
TX-POWER-FAIL-LOW = 0

Parameter Statistics:
-----
Tx Power = 13.09 dBm
Rx Power = -50.00 dBm

```



Note The slot number 3 in the preceding show controller command is the USB cable port number to which BRK8 is connected (This USB number is derived from the show platform output).

Solution

See [RX-LOS-P](#) to resolve this alarm.

Troubleshooting Power Oscillation in the Network

Problem

This problem occurs when there is a power oscillation in the network.

Example 1

The following example shows the power fluctuation in the network:

```

RP/0/RP0/CPU0:ios#show controllers ots0/0/0/0 pm current 30-sec optics 1
Tue Mar 28 16:02:22.332 UTC

```

```

Optics in the current interval [16:02:00 - 16:02:22 Tue Mar 28 2023]

```

```

Optics current bucket type : Valid

```

	Configured	MIN	AVG	MAX	Operational	Configured	TCA	Operational
	Threshold(max)	Threshold(max)			Threshold(min)	Threshold(min)	(min)	Threshold(max)
OPT [dBm]	NA	-50.00	-7.32	6.10	-20.00	NA	NO	40.00
OPR [dBm]	NA	-50.00	-50.00	-50.00	-30.00	NA	NO	18.00
OPT (C+L) [dBm]	NA	19.50	19.51	19.70	-20.00	NA	NO	60.85
OPR (C+L) [dBm]	NA	10.60	10.64	10.70	-30.00	NA	NO	36.00
OPT (S) [dBm]	NA	-50.00	-50.00	-50.00	-5.00	NA	NO	28.00
OPR (S) [dBm]	NA	-50.00	-50.00	-50.00	-30.00	NA	NO	18.00

OPBR [dBm]	NA	NO						
	:	-50.00	-50.00	-50.00	-30.00	NA	NO	-14.09
EAGN [dB]	NA	NO						
	:	0.00	0.00	0.00	16.00	NA	NO	31.00
EATL [dB]	NA	NO						
	:	0.00	0.00	0.00	-5.00	NA	NO	5.00
IAGN [dB]	NA	NO						
	:	0.00	0.00	0.00	12.00	NA	NO	25.00
IATL [dB]	NA	NO						
	:	0.00	0.00	0.00	-5.00	NA	NO	5.00
	NA	NO						

Last clearing of "show controllers OPTICS" counters never

Solution

You need to monitor the performance monitor statistics of the corresponding OTS and OTS-OCH controllers to determine where the power oscillation occurs in the network. Check for the transient alarms on the node, such as RX-LOC and RX-LOS-P. See [RX-LOS-P](#) and [RX-LOC Alarm](#) to resolve this problem.

Troubleshooting Connection Verification Failures

sysdb_item_set_failed

The *sysdb_item_set_failed* error message is a warning condition that the system reports when incorrect configurations are made during connection verification. This message appears for the following conditions:

1. [Tone Generation Already In Progress](#)
2. [Tone Generation Has Invalid Pattern](#)
3. [Tone Generation Has Invalid Frequency](#)
4. [Tone Generation Start Failed](#)
5. [Tone Detection Has Invalid Pattern-Expected](#)

Error Message 1:

sysdb_item_set_failed('optics' detected the 'warning' condition 'Tone Generation Already In Progress')

Tone Generation Already In Progress appears when an attempt was made to start tone generation on one controller without stopping the tone generation operation on another controller.

The following example shows that the tone generation is initiated on port 5 OTS controller (*ots0/0/0/5*) while tone generation on port 4 OTS controller (*ots0/0/0/4*) is still in progress.

Example

```
RP/0/RP0/CPU0:ios#tone-pattern controller ots 0/0/0/4 start
Fri Sep 15 14:26:18.670 UTC
Tone pattern started
RP/0/RP0/CPU0:ios#tone-pattern controller ots 0/0/0/5 start
Fri Sep 15 14:27:20.418 UTC
sysdb_item_set_failed('optics' detected the 'warning' condition 'Tone Generation Already In Progress')
```

Solution

If you want to continue tone generation in the new OTS controller, then follow the following procedure to stop the tone generation that is already in progress.

1. Find the OTS controller that currently has tone generation in progress. To find, run the `show alarms brief system active` or `show alarms brief system conditions` command.

The following example shows that tone generation is active on the port 4 OTS controller.

Example

```
RP/0/RP0/CPU0:ios#show alarms brief system active
Thu Nov 23 06:42:20.077 UTC
```

Active Alarms

Location	Severity	Group	Set Time	Description
0/PM1	Major	Environ	11/17/2023 04:11:37 UTC	Power Module Error (PM_VIN_VOLT_OOR)
0/PM1	Major	Environ	11/17/2023 04:11:37 UTC	Power Module Output Disabled (PM_OUTPUT_DISABLED)
0	Major	Environ	11/17/2023 04:11:37 UTC	Power Group redundancy lost
0/RP0/CPU0	Minor	Software	11/17/2023 04:12:39 UTC	SW Upgrade is still allowed as SIA Grace Period is remaining
0/0	Minor	Controller	11/23/2023 02:34:38 UTC	Ots0/0/0/4 - Tone Generation In Progress
0/0	Critical	Controller	11/23/2023 06:41:07 UTC	Ots0/0/0/14 - Loss of Signal - Payload

2. Stop the tone generation in that OTS controller. To stop, run the `tone-pattern controller ots 0/0/0/4 stop` command.

The following example shows that tone pattern generation is stopped on the port 4 OTS controller.

Example

```
RP/0/RP0/CPU0:ios#tone-pattern controller ots 0/0/0/4 stop
Tue May 10 11:50:45.837 UTC
Tone pattern stopped
```

Error Message 2:

sysdb_item_set_failed('optics' detected the 'warning' condition 'Tone Generation Has Invalid Pattern')

The *Tone Generation Has Invalid Pattern* error message appears when an attempt was made to start the tone generation on the OTS controller without configuring the `tone-pattern` value for the controller.

The following example does not display `tone-pattern` for the `show run controller ots 0/0/0/4` command. Due to the absence of `tone-pattern`, the system reports the *Tone Generation Has Invalid Pattern* message.

Example

```
RP/0/RP0/CPU0:ios#show run controller ots 0/0/0/33
Fri Nov 3 10:17:01.999 UTC
controller Ots0/0/0/33
  tone-rate 25
  tone-frequency 196
!
```

```
RP/0/RP0/CPU0:Enceladus_1#tone-pattern controller ots 0/0/0/33 start
Fri Nov 3 10:17:46.389 UTC
sysdb_item_set_failed('optics' detected the 'warning' condition 'Tone Generation Has Invalid
Pattern')
RP/0/RP0/CPU0:ios
```

Solution

Set the `tone-pattern` value for the OTS controller. To set, run the following command:

Command Example

```
RP/0/RP0/CPU0:(config-Ots)#tone-pattern abcd1234
RP/0/RP0/CPU0:(config-Ots)#commit
```

Error Message 3:

sysdb_item_set_failed('optics' detected the 'warning' condition 'Tone Generation Has Invalid Frequency')

The *Tone Generation Has Invalid Frequency* error message appears when an attempt was made to start tone generation without configuring the `tone-frequency` value in the OTS controller.

The following example does not display `tone-frequency` for the `show run controller ots 0/0/0/4` command. Due to the absence of `tone-frequency`, the system reports the *Tone Generation Has Invalid Frequency* message.

Example

```
RP/0/RP0/CPU0:ios#show run controller ots 0/0/0/4
Fri Sep 15 14:37:03.381 UTC
controller Ots0/0/0/4
  tone-rate 2
  tone-pattern abcd1234
  tone-detect-oob
  tone-pattern-expected abcd1234
!

RP/0/RP0/CPU0:ios#tone-pattern controller ots 0/0/0/4 start
Fri Sep 15 14:37:41.777 UTC
sysdb_item_set_failed('optics' detected the 'warning' condition 'Tone Generation Has Invalid
Frequency')
RP/0/RP0/CPU0:ios#
```

Solution

Set the `tone-frequency` value in out-of-band (OOB) frequency for the OTS controller. To set, run the following command:

Command Example

```
RP/0/RP0/CPU0:(config-Ots)#tone-frequency 191.175
RP/0/RP0/CPU0:(config-Ots)#commit
```

Error Message 4:

sysdb_item_set_failed('optics' detected the 'warning' condition 'Tone Generation Start Failed')

The *Tone Generation Start Failed* error message appears when an attempt was made to start tone generation using an in-band frequency of a provisioned channel.

The following example shows that `tone-frequency` is configured for the `show run controller ots 0/0/0/33` command. However, the `tone-frequency` value that is configured is the central frequency (191.375) of the provisioned channel 1. Hence, the system reports the *Tone Generation Start Failed* message.

Example

```
RP/0/RP0/CPU0:ios#show hw-module location 0/0/NXR0 terminal-ampli
Fri Nov 3 10:31:25.329 UTC
```

Legend:

```
NXC      - Channel not cross-connected
ACTIVE  - Channel cross-connected to data port
ASE      - Channel filled with ASE
FAILED  - Data channel failed, pending transition to ASE
```

```
Location:          0/0/NXR0
```

```
Status:           Provisioned
```

Flex Grid Info

Channel Number	Centre Frequency (THz)	Channel Width (GHz)	Channel Status
Overlapping Channels			
1	191.375000	75.000	ACTIVE
- , 2			
2	191.435000	75.000	ASE
1 , -			

```
RP/0/RP0/CPU0:ios#show run controller ots 0/0/0/33
```

```
Fri Nov 3 10:38:44.414 UTC
```

```
controller Ots0/0/0/33
```

```
tone-rate 25
```

```
tone-pattern abcd1234
```

```
tone-frequency 191.375
```

```
!
```

```
RP/0/RP0/CPU0:ios#tone-pattern controller ots 0/0/0/33 start
```

```
Fri Nov 3 10:39:03.532 UTC
```

```
sysdb_item_set_failed('optics' detected the 'warning' condition 'Tone Generation Start Failed')
```

```
RP/0/RP0/CPU0:ios#
```

Solution

Set the `tone-frequency` value in the out-of-band (OOB) frequency for the OTS controller. To set, run the following command:

Command Example

```
RP/0/RP0/CPU0:(config-Ots)#tone-frequency 191.175
```

```
RP/0/RP0/CPU0:(config-Ots)#commit
```

Error Message 5:

```
sysdb_item_set_failed('optics' detected the 'warning' condition 'Tone Detection Has Invalid Pattern-Expected')
```

The *Tone Detection Has Invalid Pattern-Expected* error message appears when an attempt was made to start tone generation without configuring the expected tone pattern in the OTS, OMS, or OCH controller.

The following example shows the `show run controller ots 0/0/0/33` output without the `tone-pattern-expected` value. Due to the absence of `tone-pattern-expected`, the system reports the *Tone Detection Has Invalid Pattern-Expected* message.

Example

```
RP/0/RP0/CPU0:ios#show run controller ots 0/0/0/33
Fri Nov 3 10:45:29.171 UTC
controller Ots0/0/0/33
  tone-rate 25
  tone-pattern abcd1234
  tone-frequency 191.375
!
```

```
RP/0/RP0/CPU0:ios#tone-pattern-detect controller ots 0/0/0/33 start
Fri Nov 3 10:46:01.585 UTC
sysdb_item_set_failed('optics' detected the 'warning' condition 'Tone Detection Has Invalid
Pattern-Expected')
RP/0/RP0/CPU0:ios#
```

Solution

Set the `tone-pattern-expected` value on the controller that is expecting the tone pattern. In this example, the tone pattern is expected on the OTS controller. To set, run the following command:

Command Example

```
RP/0/RP0/CPU0:(config-Ots)#tone-pattern-expected abcd1234
RP/0/RP0/CPU0:(config-Ots)#commit
```

Failed to Commit One or More Configuration Items During a Pseudo-Atomic Operation.

The NCS 1010 CLI fails to commit connection verification configuration when an attempt was made to set an incorrect value or parameter on an OTS controller.

In the following examples, the *Failed to commit one or more configuration...* error message appears to indicate that controller configuration has failed.

Example 1:

Example

```
RP/0/RP0/CPU0:ios#configure
Fri Sep 15 14:38:18.254 UTC
RP/0/RP0/CPU0:ios(config)#controller ots 0/0/0/4
RP/0/RP0/CPU0:ios(config-Ots)#tone-frequency 30
RP/0/RP0/CPU0:ios(config-Ots)#commit
Fri Sep 15 14:38:50.918 UTC
```

```
% Failed to commit one or more configuration items during a pseudo-atomic operation. All
changes made have been reverted. Please issue 'show configuration failed [inheritance]'
from this session to view the errors
```

Solution 1:

Run the `show configuration failed` command to find the cause for the system to fail the OTS controller configuration.

Command

```
RP/0/RP0/CPU0:ios(config-Ots)#show configuration failed
Fri Sep 15 14:38:57.773 UTC
!! SEMANTIC ERRORS: This configuration was rejected by
!! the system due to semantic errors. The individual
!! errors with each failed configuration command can be
!! found below.
```

```

controller Ots0/0/0/4
  tone-frequency 30
  !!! Invalid argument: Entered value not supported. Range supported by the platform is from
  191.175000 to 196.100000
  !
end

```

The preceding output shows that an unsupported value is entered for `tone-frequency`. The output also suggests the frequency range (`191.175000...196.100000`) that the platform supports for connection verification.

Example 2:

Example

```

RP/0/RP0/CPU0:ios#configure
Fri Sep 15 14:45:44.275 UTC
RP/0/RP0/CPU0:ios(config)#controller ots 0/0/0/4
RP/0/RP0/CPU0:ios(config-Ots)#tone-pattern ?
  LINE Enter Hex Values(Max Length 64 Bytes)
RP/0/RP0/CPU0:ios(config-Ots)#tone-pattern xxxyyyyzzz
RP/0/RP0/CPU0:ios(config-Ots)#commit
Fri Sep 15 14:46:20.073 UTC

```

```

% Failed to commit one or more configuration items during a pseudo-atomic operation. All
changes made have been reverted. Please issue 'show configuration failed [inheritance]'
from this session to view the errors

```

Solution 2:

Command

```

RP/0/RP0/CPU0:ios(config-Ots)#show configuration failed
Fri Sep 15 14:46:39.396 UTC
!! SEMANTIC ERRORS: This configuration was rejected by
!! the system due to semantic errors. The individual
!! errors with each failed configuration command can be
!! found below.

```

```

controller Ots0/0/0/4
  tone-pattern xxxyyyyzzz
  !!! Invalid argument: invalid hex value,valid value is 0-9 a-f A-F
  !
end

```

The preceding output shows that an unsupported value is entered for `tone-pattern`. The output also suggests the supported values for tone pattern.

Example 3:

Example

```

RP/0/RP0/CPU0:ios#configure
Fri Sep 15 15:14:36.131 UTC
RP/0/RP0/CPU0:ios(config)#controller och 0/3/0/1
RP/0/RP0/CPU0:ios(config-Och)#tone-detect-oob
RP/0/RP0/CPU0:ios(config-Och)#commit
Fri Sep 15 15:14:57.286 UTC

```

```

% Failed to commit one or more configuration items during a pseudo-atomic operation. All
changes made have been reverted. Please issue 'show configuration failed [inheritance]'
from this session to view the errors

```

Solution 3:

Command

```
RP/0/RP0/CPU0:ios(config-Och)#show configuration failed
Fri Sep 15 15:15:06.219 UTC
!! SEMANTIC ERRORS: This configuration was rejected by
!! the system due to semantic errors. The individual
!! errors with each failed configuration command can be
!! found below.
```

```
controller Och0/3/0/1
  tone-detect-oob
  !% Invalid argument: Tone Detect OOB is not configurable for this controller
  !
end
```

The preceding output informs that Tone Detect OOB is not configurable on OCH controllers. Configure OOB only on OMS controllers.

Invalid Input Detected at '^' Marker

The *Invalid input detected at '^' marker* error message appears when an attempt was made to start tone generation on the OMS and OCH controllers. Tone generation must be initiated on the OTS controller. The OMS and OCH controllers should be used only to detect the tone that is generated from the OTS controller.

The following example shows the system reporting the *Invalid input detected at '^' marker* error message on the port 0 OMS controller (*oms 0/3/0/0*).

Example

```
RP/0/RP0/CPU0:ios#tone-pattern controller oms 0/3/0/0 start
                                     ^
% Invalid input detected at '^' marker.
RP/0/RP0/CPU0:ios#
```

The following example shows the system reporting the *Invalid input detected at '^' marker* error message on the port 1 OCH controller (*och 0/3/0/1*).

Example

```
RP/0/RP0/CPU0:ios#tone-pattern controller och 0/3/0/1 start
                                     ^
% Invalid input detected at '^' marker.
```

Solution

Use the OMS and OCH controllers for detecting the tone generation only. See for OCH and OMS controller syntax and parameters.



CHAPTER 5

Alarm Propagation Scenarios

In an optical network, alarm propagation defines how different alarms propagate in a larger link during any failure in the network. The alarm correlation algorithm suppresses the lower-priority alarms on each device in the network. Hence, the network administrator can assess the health of the optical network and detect the root cause of the problem by focusing only on the significant alarms on the node.

This chapter covers the alarms that are active and suppressed during the common alarm propagation scenarios when operating the NCS 1010 chassis.

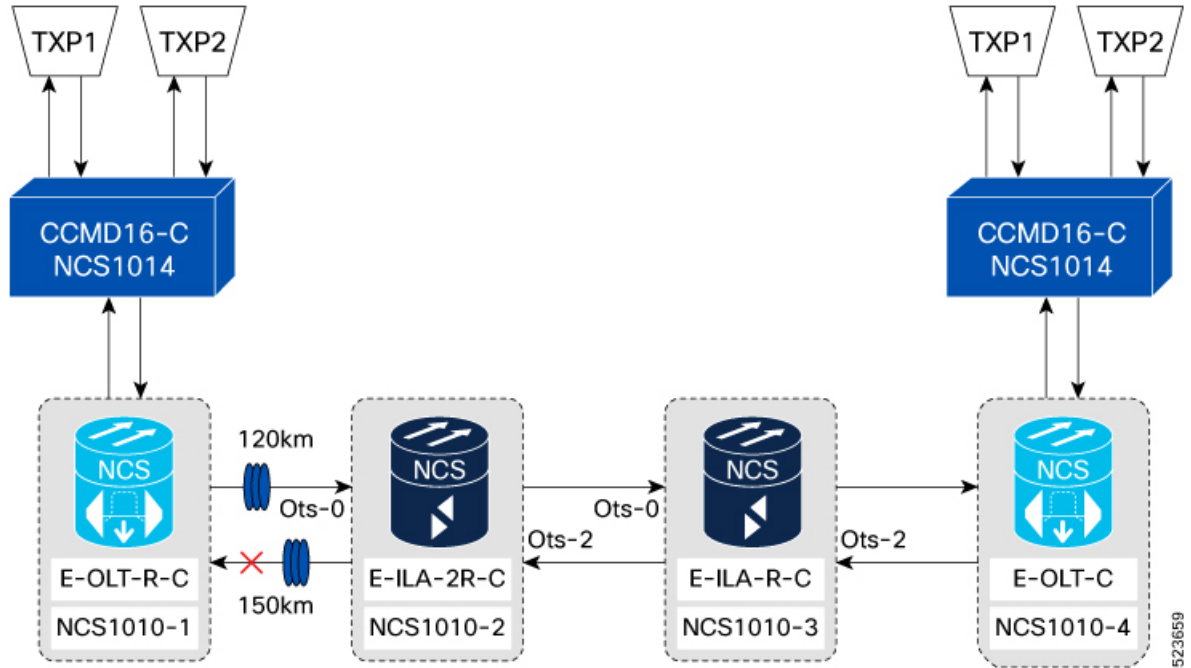
- [Unidirectional Fiber Cut on Line, on page 73](#)
- [Bidirectional Fiber Cut on Line, on page 75](#)
- [Fiber Cut Between CCMD and OLT, on page 77](#)
- [High Back Reflection Condition on Line Tx Port, on page 78](#)
- [High Back Reflection Condition on Line Rx RAMAN Port , on page 79](#)
- [High Span Loss on Line Tx Port, on page 80](#)
- [High Span Loss on Line Rx Port, on page 81](#)
- [Single Channel Failure due to Bidirectional Fiber Cut on Line, on page 82](#)
- [Single Channel Failure due to Unidirectional Fiber Cut at TXP-Tx, on page 83](#)
- [Single Channel Failure due to Unidirectional Fiber Cut at TXP-Rx, on page 84](#)

Unidirectional Fiber Cut on Line

When there is a line unidirectional fiber cut on a NCS 1010 network, alarms are raised and suppressed at the respective ports of each node.

The following figure displays line unidirectional fiber cut on a NCS 1010:

Figure 8: Unidirectional Fiber Cut on Line



The following table lists the alarms that are raised and suppressed at the respective ports of each node:

Table 2: Active and Suppressed Alarms

NODE	Active Alarms	Ports where alarms are raised	Suppressed Alarms	Ports where alarms are suppressed
NCS 1010 - 1	<ul style="list-style-type: none"> Rx-LOC INGRESS-AUTO-LASER-SHUT EGRESS-AUTO-LASER-SHUT Raman-AUTO-LASER-SHUT APC-BLOCKED-TX APC-BLOCKED-RX RAMAN-TUNE-FAILED 	Line OTS 0/0/0/0	Rx-LOS-P	<ul style="list-style-type: none"> Line OTS 0/0/0/0 DFB 0/0/0/0 OSC 0/0/0/0 OTSOCH 0/0/0/0/x x is channel id
	TX-POWER-FAIL-LOW	OTS-OCH 0/0/0/com-port/channel	TX-POWER-FAIL-LOW	OTS-OCH 0/0/0/channel

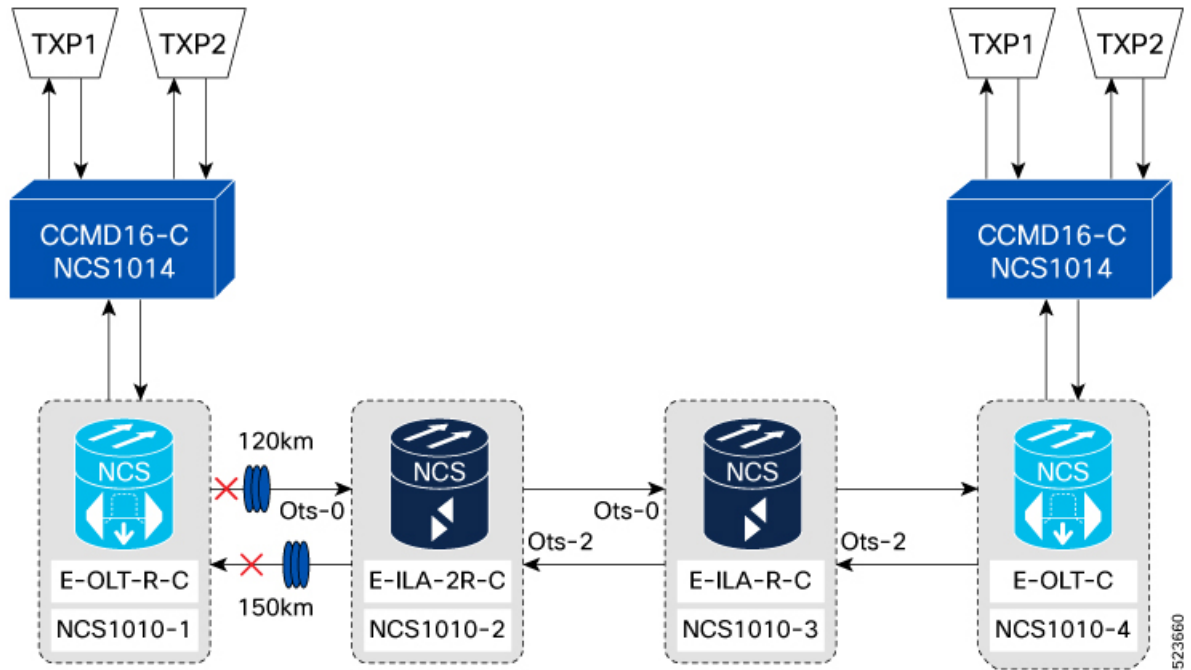
NODE	Active Alarms	Ports where alarms are raised	Suppressed Alarms	Ports where alarms are suppressed
NCS1010 – 2 (ots – 0)	<ul style="list-style-type: none"> Rx-LOS-P EGRESS-AUTO-LASER-SHUT Raman-AUTO-LASER-SHUT APC-BLOCKED-TX RAMAN-TUNE-FAILED 	Line OTS 0/0/0/0	Rx-LOS-P	OTS-OCH 0/0/0/0/x x is channel id
			TX-POWER-FAIL-LOW	OTS-OCH 0/0/0/0/channel
NCS1010 – 2 (ots – 2)	<ul style="list-style-type: none"> EGRESS-AUTO-LASER-SHUT APC-BLOCKED-TX 	Line OTS 0/0/0/2	TX-POWER-FAIL-LOW	OTS-OCH 0/0/0/2/channel
NCS1010 – 3 (ots – 0)	Rx-LOS-P	Line OTS 0/0/0/0	Rx-LOS-P	OTS-OCH 0/0/0/0/x x is channel id
NCS1010– 3 (ots – 2)	<ul style="list-style-type: none"> EGRESS-AUTO-LASER-SHUT APC-BLOCKED-TX 	Line OTS 0/0/0/2	TX-POWER-FAIL-LOW	OTS-OCH 0/0/0/0/2
NCS1010 – 4	<ul style="list-style-type: none"> INGRESS-AUTO-LASER-SHUT APC-BLOCKED-RX Rx-LOS-P 	Line OTS 0/0/0/0	Rx-LOS-P	OTS-OCH 0/0/0/0/x x is channel id
		TX-POWER-FAIL-LOW	OTS-OCH 0/0/0/com-port/channel	
NCS1014	Rx-LOS-P	OMS 0/0/slot/0		

Bidirectional Fiber Cut on Line

When there is a line bidirectional fiber cut on a NCS 1010 network, alarms are raised and suppressed at the respective ports of each node.

The following figure displays line bidirectional fiber cut on a NCS 1010 network:

Figure 9: Bidirectional Fiber Cut on Line



The following table lists the alarms that are raised and suppressed at the respective ports of each node:

Table 3: Active and Suppressed Alarms

NODE	Active Alarms	Ports where alarms are raised	Suppressed Alarms	Ports where alarms are suppressed
NCS1010-1	<ul style="list-style-type: none"> Rx-LOC INGRESS-AUTO-LASER-SHUT EGRESS-AUTO-LASER-SHUT Raman-AUTO-LASER-SHUT APC-BLOCKED-TX APC-BLOCKED-RX RAMAN-TUNE-FAILED 	Line OTS 0/0/0/0	Rx-LOS-P	<ul style="list-style-type: none"> Line OTS 0/0/0/0 DFB0/0/0/0 OSC0/0/0/0 OTS-OCH0000x x is channel id
	TX-POWER-FAIL-LOW	OTS-OCH 0/0/0/com-port	TX-POWER-FAIL-LOW	OTS-OCH 0/0/0/0/channel

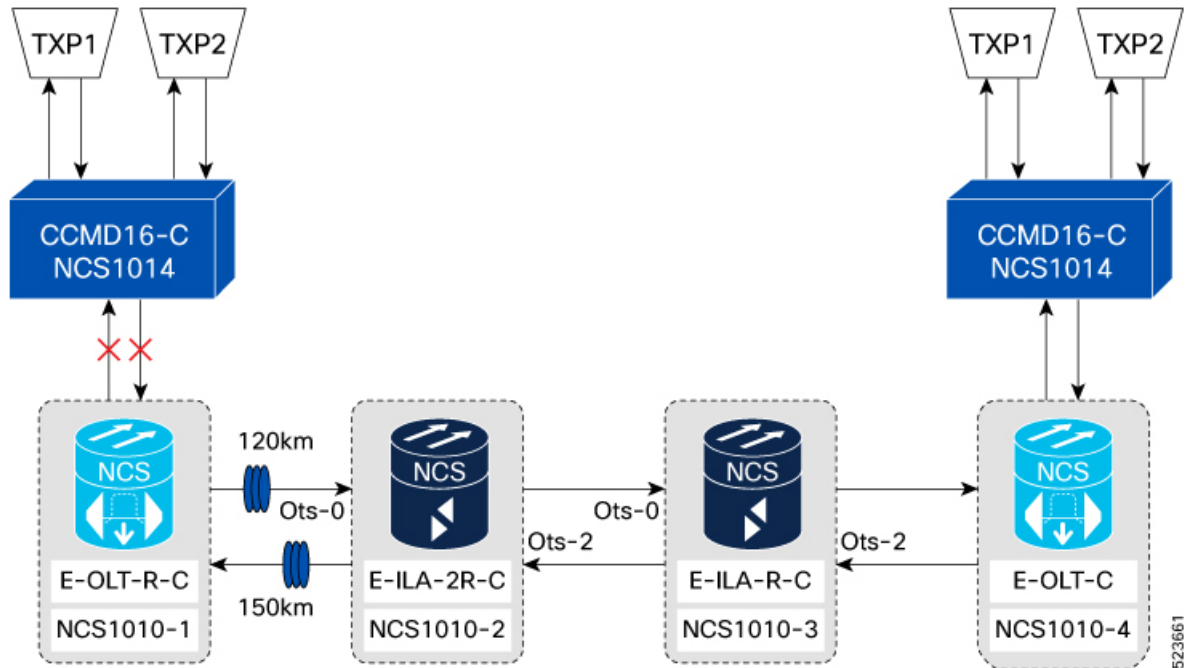
NODE	Active Alarms	Ports where alarms are raised	Suppressed Alarms	Ports where alarms are suppressed
NCSI010 – 2 (ots - 0)	<ul style="list-style-type: none"> Rx-LOC EGRESS-AUTO-LASER-SHUT Raman-AUTO-LASER-SHUT APC-BLOCKED-TX RAMAN-TUNE-FAILED 	Line OTS 0/0/0/0	Rx-LOS-P	<ul style="list-style-type: none"> Line OTS 0/0/0/0 DFB 0/0/0/0 OSC 0/0/0/0 OTS-OCH 0/0/0/x x is channel id
			TX-POWER-FAIL-LOW	OTS-OCH 0/0/0/0/channel
NCSI010-2 (ots - 2)	<ul style="list-style-type: none"> EGRESS-AUTO-LASER-SHUT APC-BLOCKED-TX 	Line OTS 0/0/0/2	TX-POWER-FAIL-LOW	OTS-OCH 0/0/0/2/channel
NCSI010-3 (ots - 0)	Rx-LOS-P	Line OTS 0/0/0/0	Rx-LOS-P	OTS-OCH 0/0/0/0/x x is channel id
NCSI010-3 (ots - 2)	<ul style="list-style-type: none"> EGRESS-AUTO-LASER-SHUT APC-BLOCKED-TX 	Line OTS 0/0/0/2	TX-POWER-FAIL-LOW	OTS-OCH 0/0/0/2/channel
NCSI010-4	<ul style="list-style-type: none"> INGRESS-AUTO-LASER-SHUT APC-BLOCKED-RX Rx-LOS-P 	Line OTS 0/0/0/0	Rx-LOS-P	OTS-OCH 0/0/0/0/x x is channel id
	TX-POWER-FAIL-LOW	OTS-OCH 0/0/0/com-port/channel		
NCSI014	Rx-LOS-P	OMS 0/0/slot/0		

Fiber Cut Between CCMD and OLT

When a fiber cut occurs between CCMD and OLT, alarms are raised and suppressed at the respective ports of each node.

The following figure displays fiber cut between CCMD and OLT:

Figure 10: Fiber Cut Between CCMD and OLT



The following table lists the alarms that are raised and suppressed at the respective ports of each node:

Table 4: Active and Suppressed Alarms

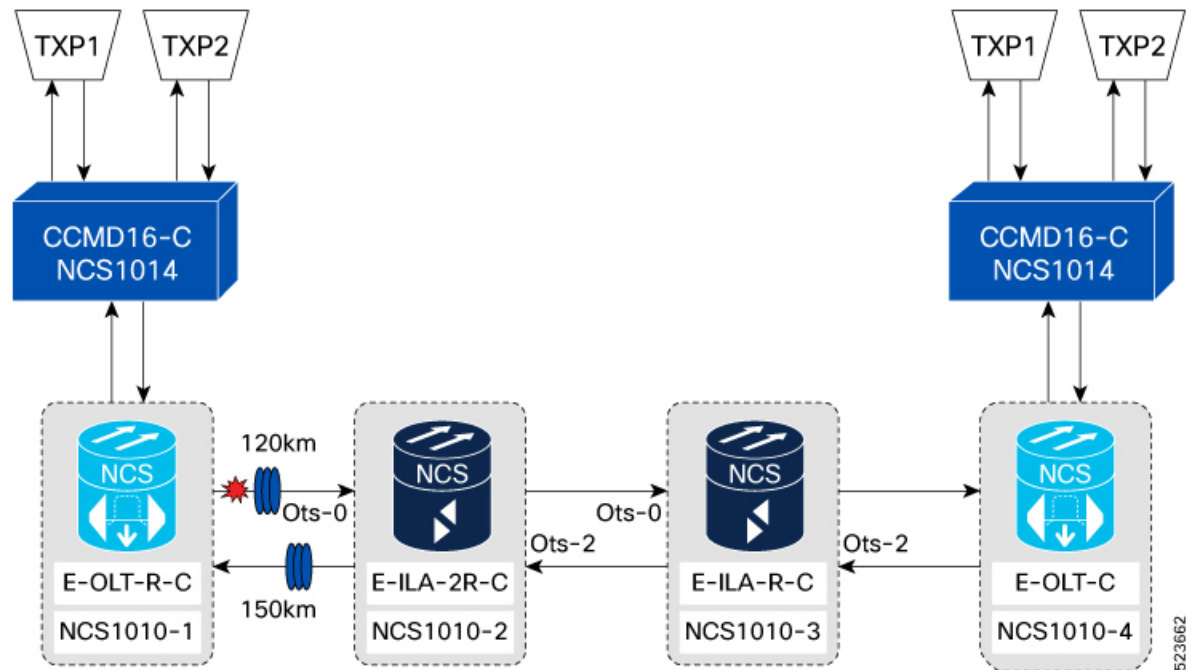
Condition	NODE	Active Alarms	Ports where alarms are raised	Suppressed Alarms	Ports where alarms are suppressed
CCMD Rx Fiber Cut	NCS1014	Rx-LOS-P	OMS 0/0/slot/0		
CCMD Tx Fiber Cut	NCS1010 - 1	Rx-LOS-P	Line OTS 0/0/0/x x is a com port	Rx-LOS-P	OTS-OCH 0/0/0/x/y x is com port y is channel id
		CHANNEL-NOISE-LOADED	OTS-OCH 0/0/0/0/y y is channel id		

High Back Reflection Condition on Line Tx Port

When there is a high back reflection condition on the line Tx port, Egress EDFA goes into Automatic Power Reduction (APR) mode, and alarms are raised at the respective ports of each node.

The following figure displays high back reflection condition on the line Tx port:

Figure 11: High Back Reflection Condition on the Line Tx port



The following table lists the alarms that are raised at the respective ports of each node:

Table 5: Active Alarms

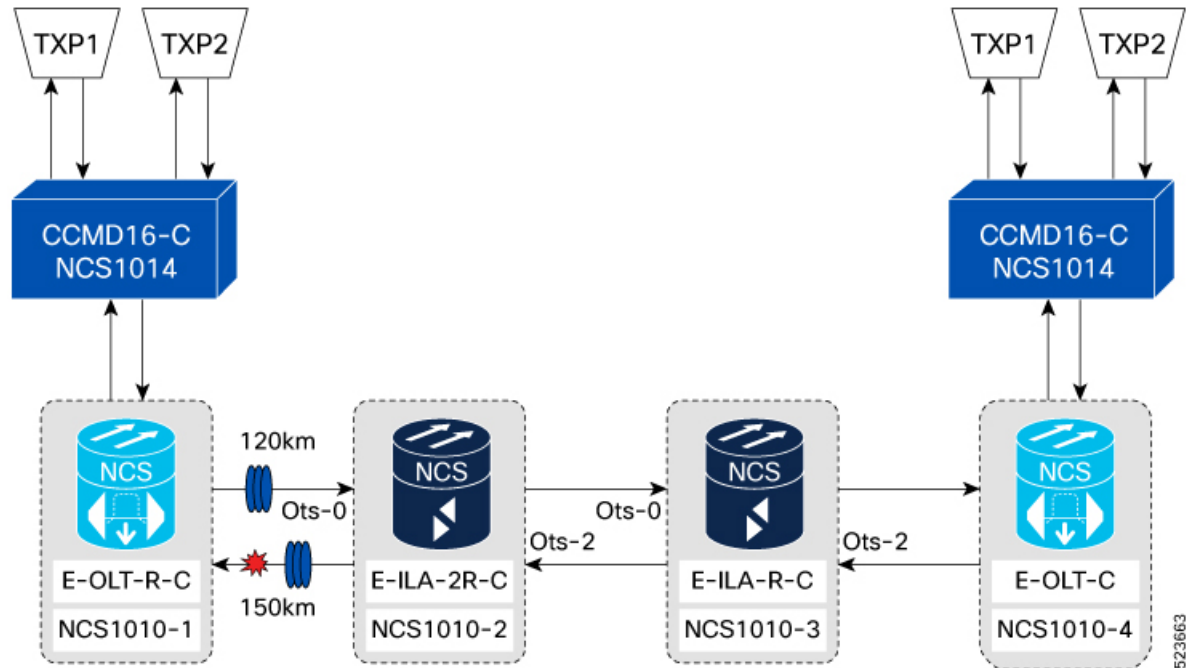
NODE	Active Alarms	Ports where alarms are raised
NCS1010 - 1	<ul style="list-style-type: none"> • TX-POWER-FAIL-LOW • High-TX-BR-PWR • APC-BLOCKED-TX 	Line OTS 0/0/0/0
NCS1010 – 2 (ots - 2)	APC-TARGET-PSD-NOT-MET-TX	Line OTS 0/0/0/2
NCS1010 – 3 (ots - 2)	APC-TARGET-PSD-NOT-MET-TX	Line OTS 0/0/0/2
NCS1010 – 4	APC-TARGET-PSD-NOT-MET-RX	Line OTS 0/0/0/0

High Back Reflection Condition on Line Rx RAMAN Port

When there is a high back reflection on the Line Rx Raman port, RAMAN pumps goes into Automatic Power Reduction (APR) mode, and alarms are raised at the respective ports of each node.

The following figure displays high back reflection condition on the line Rx RAMAN port:

Figure 12: High Back Reflection Condition on the Line Rx RAMAN Port



The following table lists the alarms that are raised at the respective ports of each node:

Table 6: Active Alarms

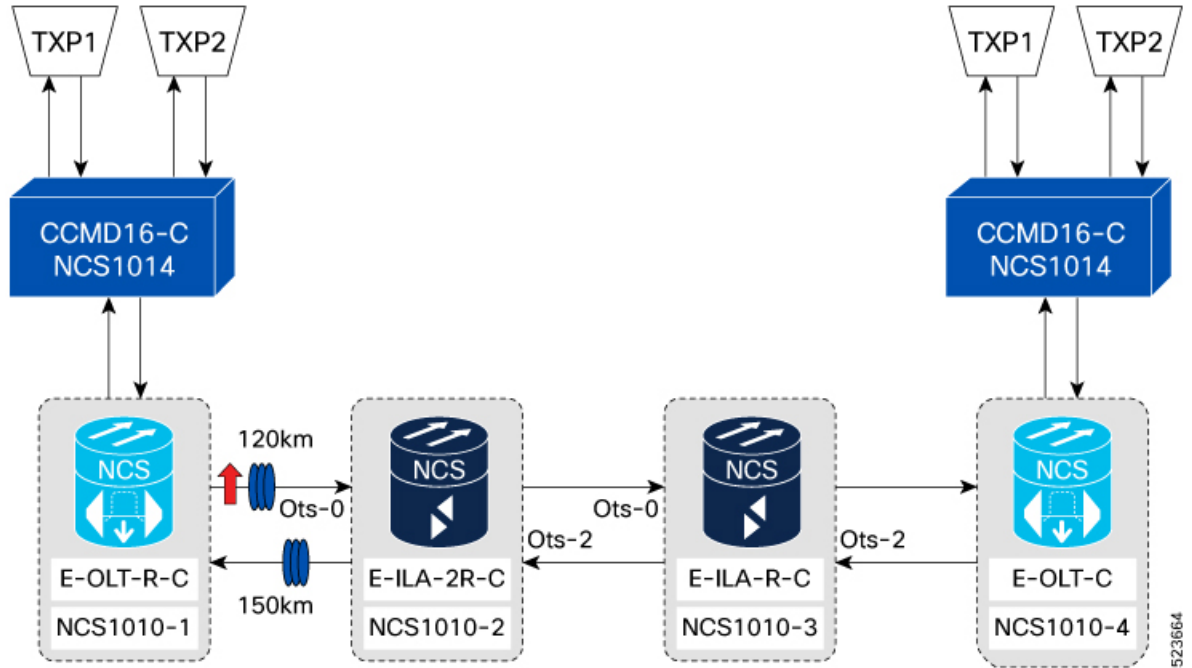
NODE	Active Alarms	Ports where alarms are raised
NCS1014	Rx-LOS-P	OMS 0/0/x/0 x is slot id
NCS1010 - 1	<ul style="list-style-type: none"> • High-RX-BR-PWR • APC-OUT-OF-RANGE-RX • RT- BLOCKED 	Line OTS 0/0/0/0

High Span Loss on Line Tx Port

When high span loss occurs on the line Tx port, alarms are raised at the respective ports of each node.

The following figure displays high span loss on line Tx port:

Figure 13: High span loss on Line Tx Port



The following table lists the alarms that are raised at the line Tx port:

Table 7: Active Alarms

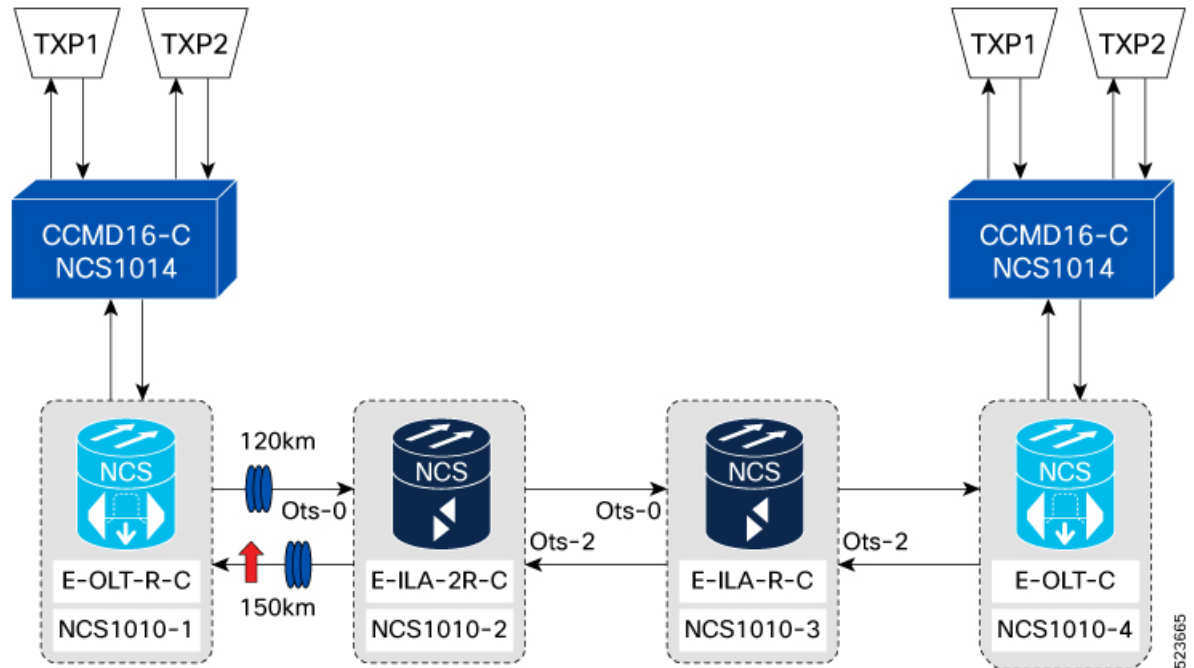
NODE	Active Alarms	Ports where alarms are raised
NCS1010 – 2 (ots - 0)	Span Loss Value Out Of Range	Line OTS 0/0/0/0
NCS1010 – 2 (ots - 2)	APC-OUT-OF-RANGE-TX	Line OTS 0/0/0/2

High Span Loss on Line Rx Port

When high span loss occurs on the line Rx, alarms are raised at the respective ports of each node.

The following figure displays high span loss on the line Rx port:

Figure 14: High span loss on Line Rx port



The following table lists the alarms that are raised at the line Rx port:

Table 8: Active Alarms

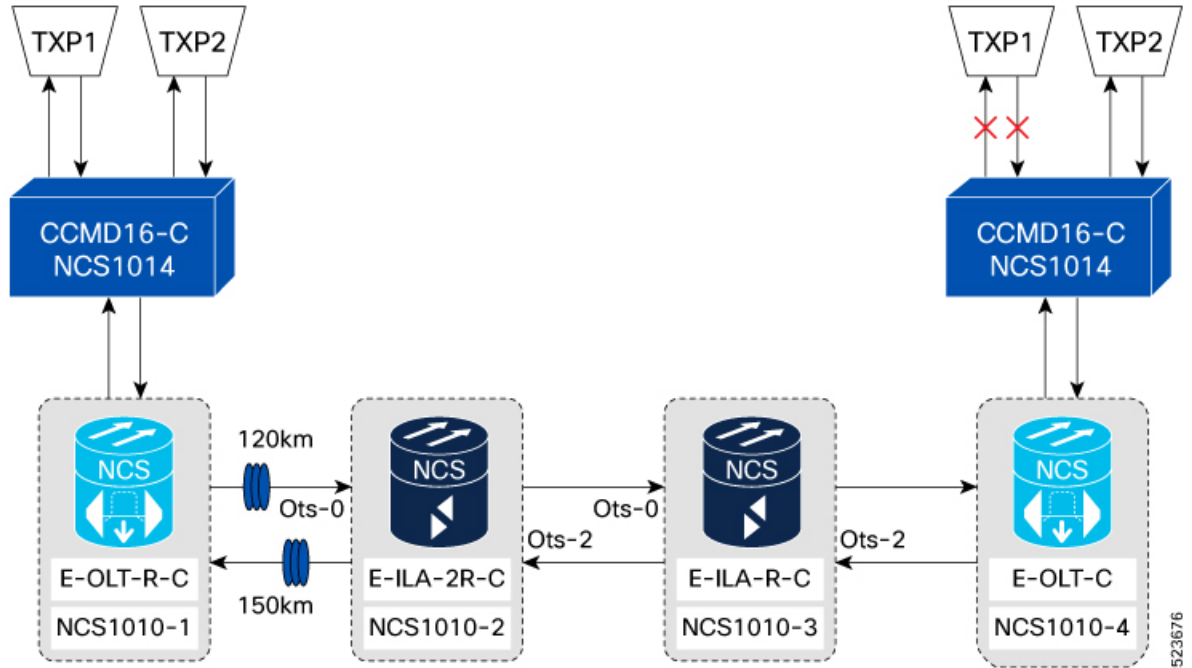
NODE	Active Alarms	Ports where alarms are raised
NCS1010 - 1	<ul style="list-style-type: none"> Span Loss Value Out Of Range APC-BLOCKED-RX 	Line OTS 0/0/0/0

Single Channel Failure due to Bidirectional Fiber Cut on Line

When there is a bidirectional fiber cut on the line, single channel failure occurs, and alarms are raised at each node's port.

The following figure displays single channel failure due to bidirectional fiber cut on line:

Figure 15: Single Channel Failure due to Bidirectional Fiber Cut on Line



The following table lists the alarms that are raised at the respective ports of each node:

Table 9: Active Alarms

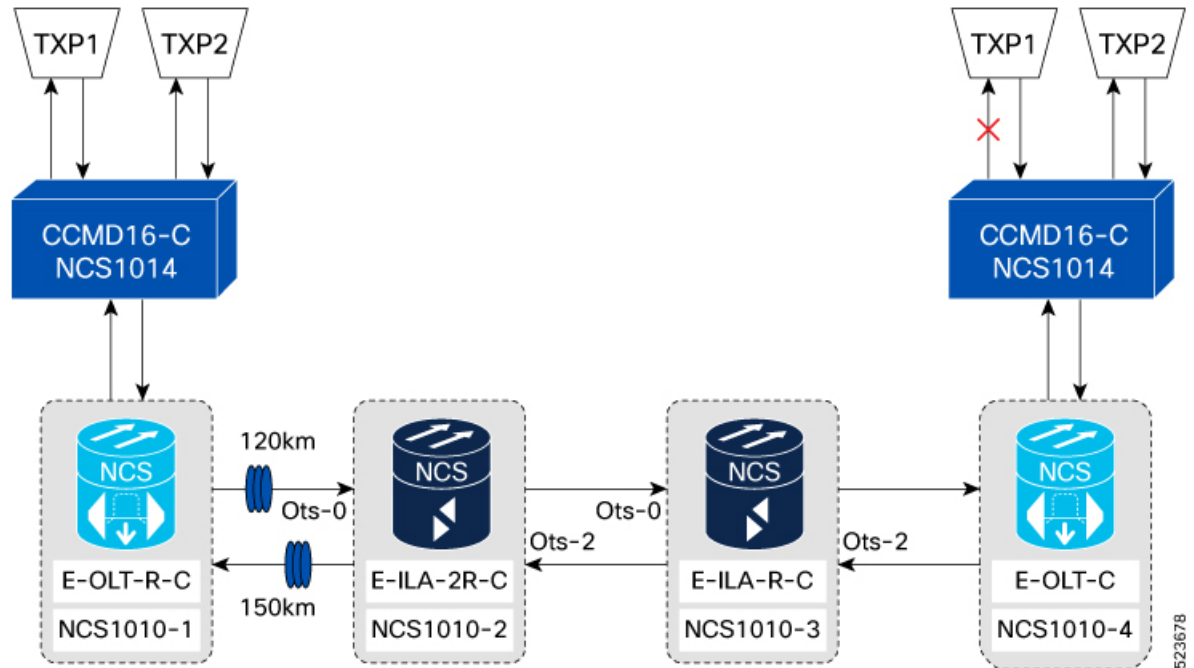
NODE	Active Alarms	Ports where alarms are raised
NCS1010 - 4	Rx-LOS-P	OTS-OCH 0/0/0/x/y x is com port y is channel number
	CHANNEL-NOISE-LOADED	OTS-OCH 0/0/0/0/y y is channel id
NCS1014 - 1	Rx-LOS-P	OCH 0/0/0/x/y x is slot id y is port number

Single Channel Failure due to Unidirectional Fiber Cut at TXP-Tx

When there is a unidirectional fiber cut at TXP-Tx, single channel failure occurs, and alarms are raised at each node's port.

The following figure displays single channel failure due to unidirectional fiber cut at TXP-Tx:

Figure 16: Single Channel Failure due to Unidirectional Fiber Cut at TXP-Tx



The following table lists the alarms that are raised at the respective ports of each node:

Table 10: Active Alarms

NODE	Active Alarms	Ports where alarms are raised
NCS1010 - 4	Rx-LOS-P	OTS-OCH 0/0/0/x/y x is com port y is channel number
	CHANNEL-NOISE-LOADED	OTS-OCH 0/0/0/0/y y is channel id
NCS1014	Rx-LOS-P	OCH 0/0/x/y x is slot id y is port number

Single Channel Failure due to Unidirectional Fiber Cut at TXP-Rx

When there is a unidirectional fiber cut at TXP-Rx, a single channel failure occurs, and no alarms are raised at each node's port.

The following figure displays single channel failure due to unidirectional fiber cut at TXP-Rx:

Figure 17: Single Channel Failure due to Unidirectional Fiber Cut at TXP-Tx

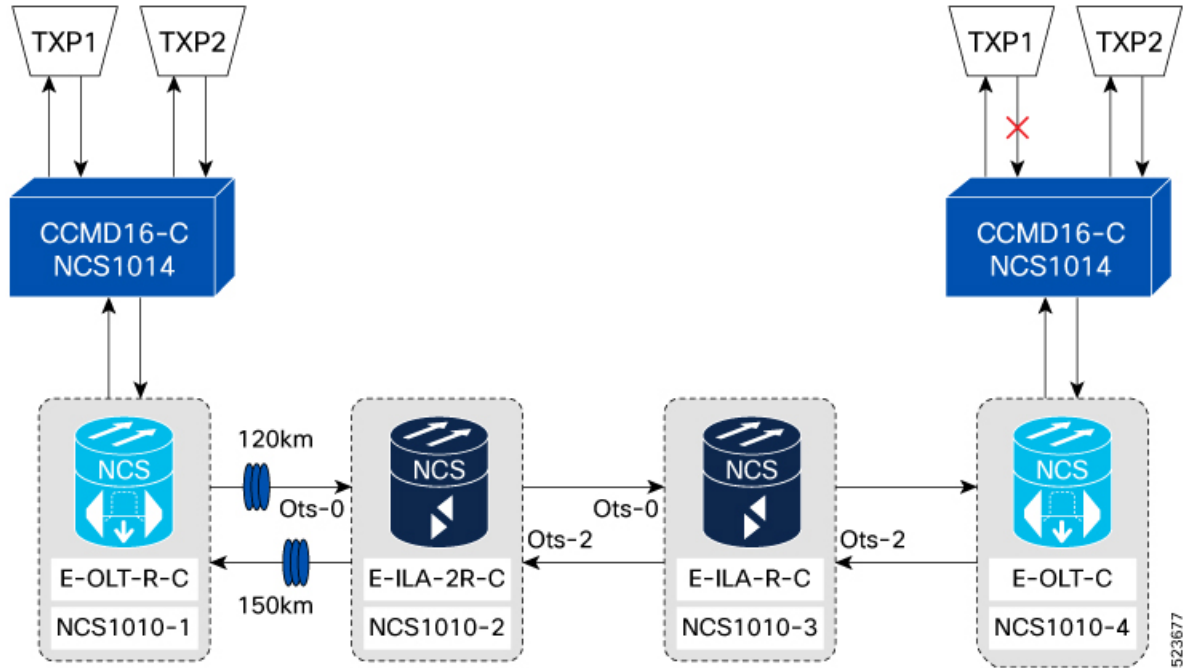


Table 11: Alarms

NODE	Active Alarms
NCS1010 - 4	No Alarm
NCS1014	No Alarm

Single Channel Failure due to Unidirectional Fiber Cut at TXP-Rx