



Installing the Air Flow Regulator

This chapter explains how to install the regulators to maintain the air flow for ANSI and ETSI configurations in NCS 2006 shelf.

The air flow within the equipment must be maintained at a nominal temperature.

This task can be accomplished using one of these mechanisms:

- Air deflector
- Air plenum

The sections are:

- [Air Deflector, on page 1](#)
- [Air Plenum, on page 1](#)
- [Air Plenum Rack and Cabinet Compatibility, on page 3](#)
- [NTP-L43 Install the Air Plenum in NCS 2006 Shelf, on page 4](#)
- [Air Flow Performance of NCS 2006, on page 18](#)

Air Deflector

An air deflector is a sheet-metal part that is mounted on the NCS 2006 shelf to orient the air flow in a specific direction.

The air deflectors can be mounted in different positions to control the air flow:

- Front to Front— Only ETSI rack
- Front to Back— For ANSI and ETSI racks
- Front to Top— Only ETSI rack

In an ANSI rack, the air deflectors are mounted only on the 23-inch rack configuration.

Air Plenum

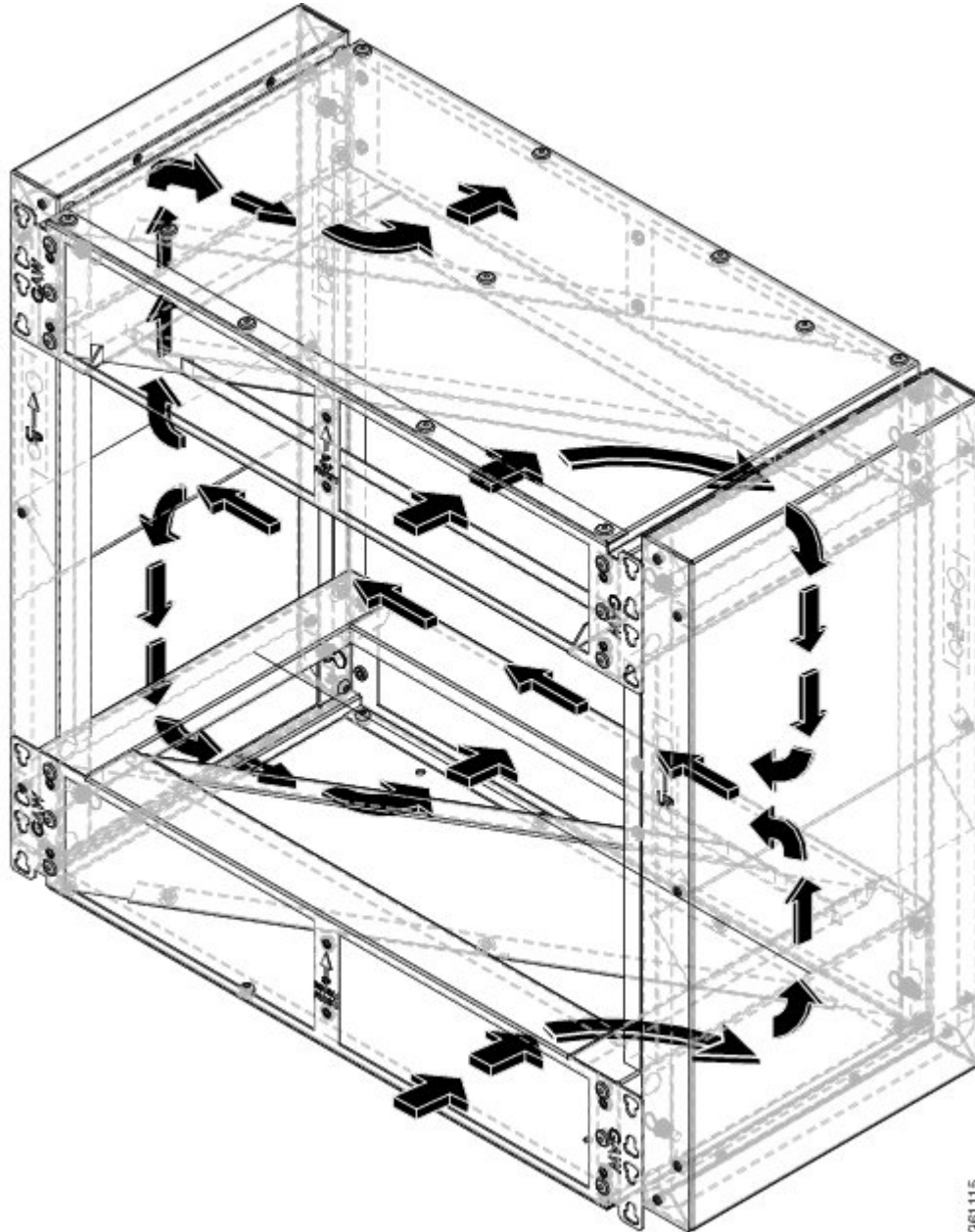
Air plenum orients the air flow in the front-to-back direction inside the equipment to be compliant with GR-63 issue 4 requirement.

NCS 2006 air plenum kit has two horizontal and two vertical air plenums. The air that flows from the front top inlet and the front bottom inlet are channelized to the right vertical plenum, inside the equipment, and

then to the exhaust air channel towards the left vertical air plenum. The air flow is deflected by 90 degrees and exited out in the rear end.

The following figure shows the air flow inside the air plenum.

Figure 1: Air flow within the air plenum



The following figures display the dimensions of the air plenum relative to the cabinet or rack.

Figure 2: Dimension of Cisco NCS 2006 chassis relative to the air plenum

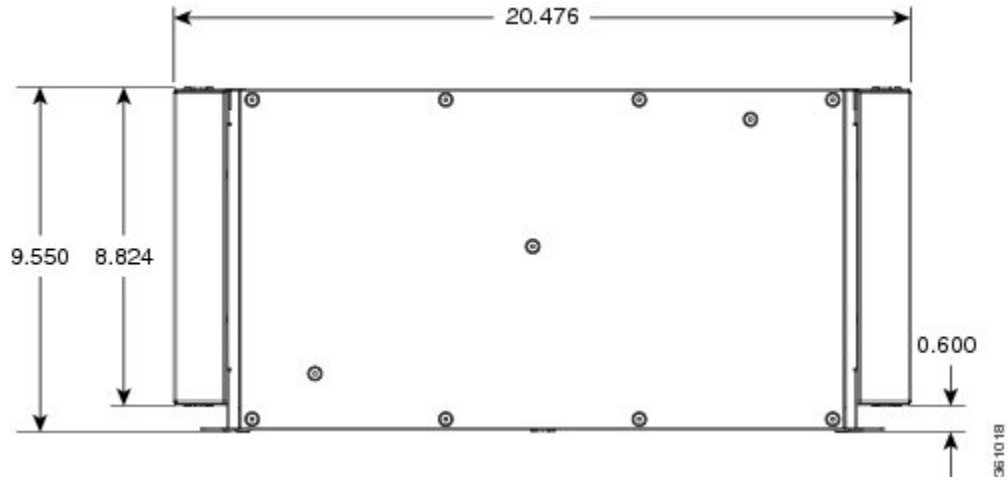
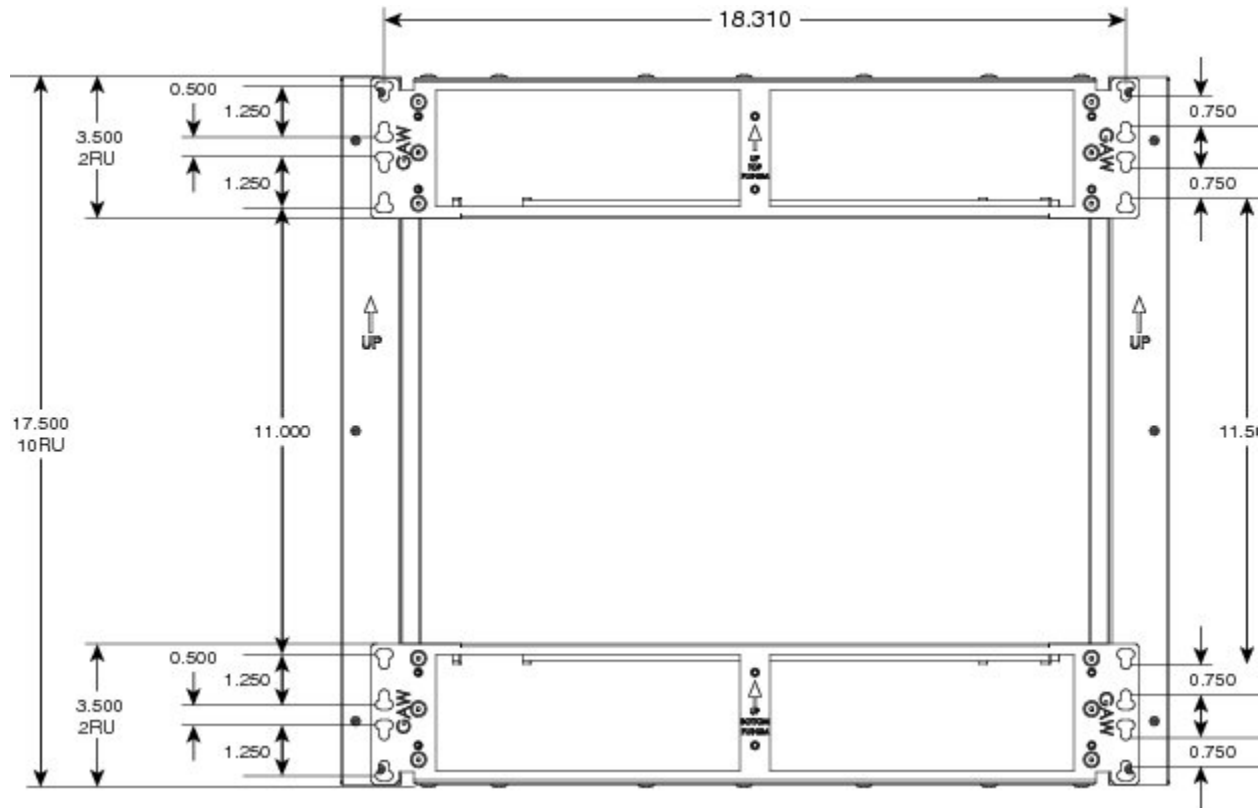


Figure 3: Dimension on Cisco NCS 2006 relative to the air plenum



Air Plenum Rack and Cabinet Compatibility

The table shows the compatibility of air plenum with the ANSI and ETSI racks and cabinets. The chassis can be installed with brackets in front position only.

Table 1: Air plenum compatibility with racks and cabinets

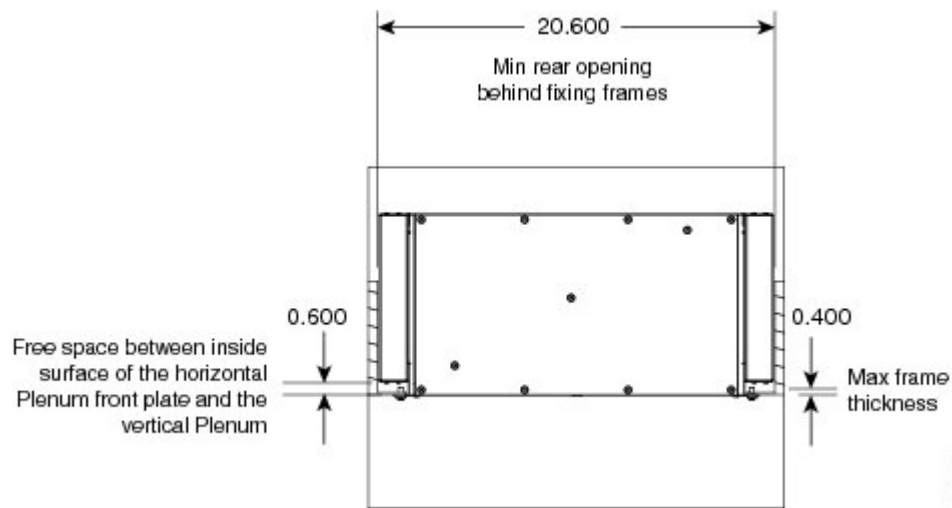
| Rack / Cabinet | Front-to-back air flow |
|----------------------|------------------------|
| ANSI 19-inch rack | Supported ¹ |
| ANSI 19-inch cabinet | Supported ¹ |
| ANSI 23-inch rack | Supported |
| ANSI 23-inch cabinet | Supported |
| ETSI cabinet | Supported ¹ |

¹ A minimum opening of 20.600 inches is required to install the vertical air plenum behind the front rails.



Note The ANSI 19-inch two post rack that is compatible with air plenum installation is available from Telect, with part number 12545-301.

Figure 4: Minimum rear opening for ANSI 19-inch and ETSI configuration



NTP-L43 Install the Air Plenum in NCS 2006 Shelf

| | |
|----------------|---|
| Purpose | This procedure installs the air plenum to orient the air flow in front-to-back direction in the NCS 2006 shelf. |
|----------------|---|

| | |
|--------------------------------|---|
| Tools/Equipment | <ul style="list-style-type: none"> • #2 Phillips Dynamometric screwdriver • Medium slot-head screwdriver • Small slot-head screwdriver • Screws <ul style="list-style-type: none"> • ANSI: #12-24 x 0.50 pan-head Phillips screws • ETSI: M6.0 x 20 pan-head Phillips screws • Wing head screws (8) • Adapter plates • One air plenum kit (horizontal and vertical air plenums) |
| Prerequisite Procedures | NTP-L41 Unpacking and Inspecting the Shelf |
| Required/As Needed | As needed |
| Onsite/Remote | Onsite |
| Security Level | None |



Warning Before performing any of the following procedures, ensure that power is removed from the DC circuit. Statement 1074



Warning Before working on a chassis or working near power supplies, unplug the power cord on AC units. Statement 246



Warning This equipment is intended to be grounded. Ensure that the host is connected to earth ground during normal use. Statement 39



Note For nominal voltage of -60 VDC, the input voltage range is from -40 to -72 VDC.



Note Use only the fastening hardware provided with the NCS 2006 to prevent loosening, deterioration, and electromechanical corrosion of the hardware and joined material.



Warning When installing or replacing the unit, the ground connection must always be made first and disconnected last. Statement 1046



Warning The air plenum is installed on a rack or a cabinet using thread-forming screws that remove any paint or non-conductive coatings inside the hole threads, and establish a metal-to-metal contact. Also, clean both surfaces outside the screw points that come in contact, so that they are free of paint and other nonconductive coating. Apply an appropriate antioxidant compound to the surfaces.

Procedure

Depending on the rack or cabinet, complete the necessary task:

- [DLP-L64 Installing Air Plenum for NCS 2006 Shelf in ANSI 19-inch Cabinet, on page 6](#)
- [DLP-L66 Installing Air Plenum in NCS 2006 Shelf for ANSI 23-inch Configuration, on page 9](#)
- [DLP-L67 Installing Air Plenum for NCS 2006 Shelf in ETSI Configuration, on page 15](#)
- [DLP-L68 Installing Pre-assembled Air Plenums in ANSI 23-inch Configuration, on page 13](#)

Stop. You have completed this procedure.

DLP-L64 Installing Air Plenum for NCS 2006 Shelf in ANSI 19-inch Cabinet

| | |
|---------------------------|--|
| Purpose | This task installs the air plenum for the NCS 2006 shelf in ANSI 19-inch cabinet. |
| Tools/Equipment | <ul style="list-style-type: none"> • #2 Phillips Dynamometric screwdriver • Medium slot-head screwdriver • Small slot-head screwdriver • Screws: #12-24 x 0.50 pan-head Phillips screws (8) • Wing head screws (8) • One air plenum kit (horizontal and vertical air plenum) |
| Required/As Needed | As needed |
| Onsite/Remote | Onsite |
| Security Level | None |



Note In the ANSI 19-inch rack or cabinet, the air plenum can be mounted only if the minimum opening is 20.600 inches to install the vertical air plenums behind the front rails.

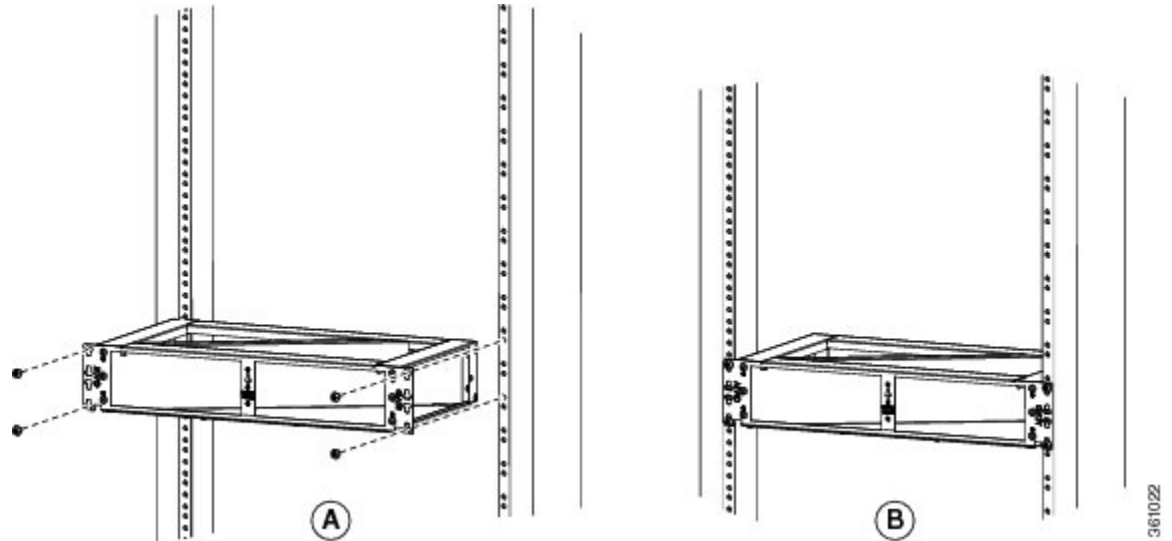
Procedure

Step 1

Place the horizontal air plenum at the bottom of the shelf slot in the ANSI 19-inch cabinet.

- Step 2** Insert the wing head screws provided with the kit, and tighten to a torque value of 11.5 in-lb (1.3 N-m) as shown in the figure below.

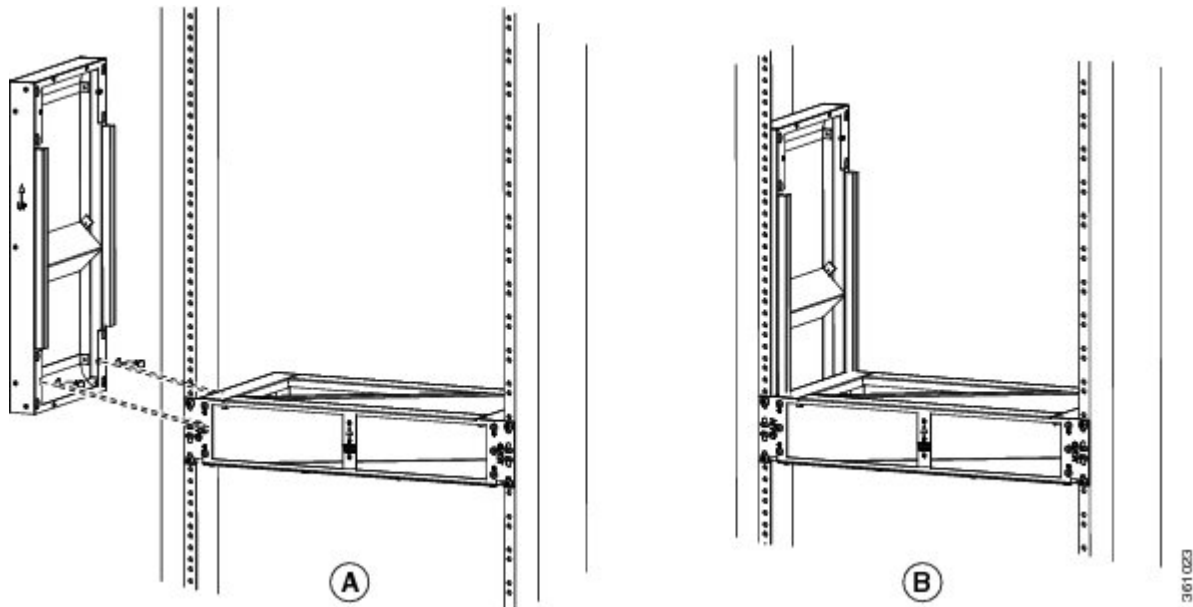
Figure 5: Installing the bottom horizontal air plenum in the ANSI 19-inch cabinet



- Step 3** Install the vertical air plenum to the left of the horizontal air plenum:

- Insert the vertical plenum in the free space between the horizontal plenum and cabinet.
- Install the wing head screws from the internal side of the horizontal plenum as shown in the figure below.
- Tighten the screws to a torque value of 11.5 in-lb (1.3 N-m).

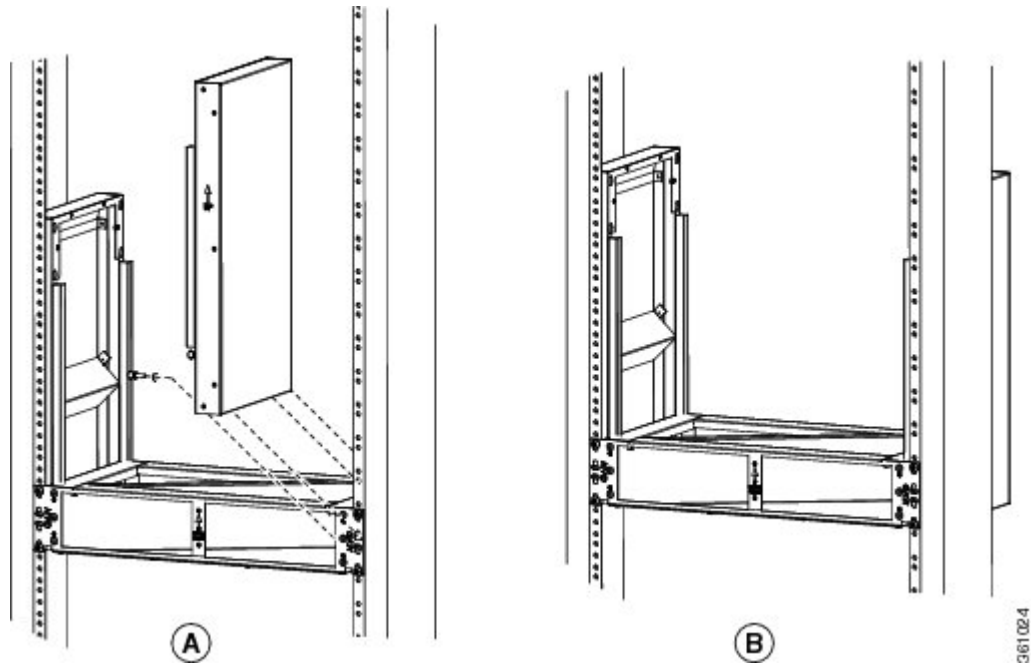
Figure 6: Installing the left vertical air plenum



- Step 4** Place the vertical air plenum to the right of the horizontal air plenum.

- Step 5** Install the wing head screws provided with the kit, and tighten to a torque value of 11.5 in-lb (1.3 N-m).

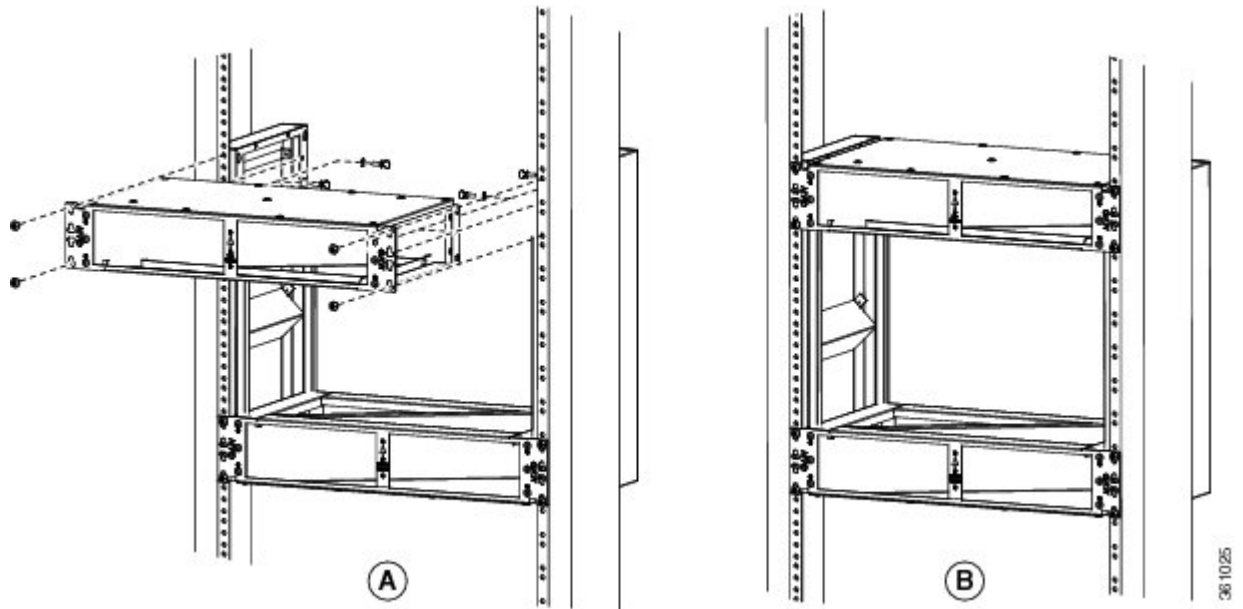
Figure 7: Installing the right vertical air plenum



Step 6

Install the horizontal air plenum above the vertical plenums. Follow step 3a to step 3c.

Figure 8: Installing the horizontal air plenum above the vertical plenums



Step 7

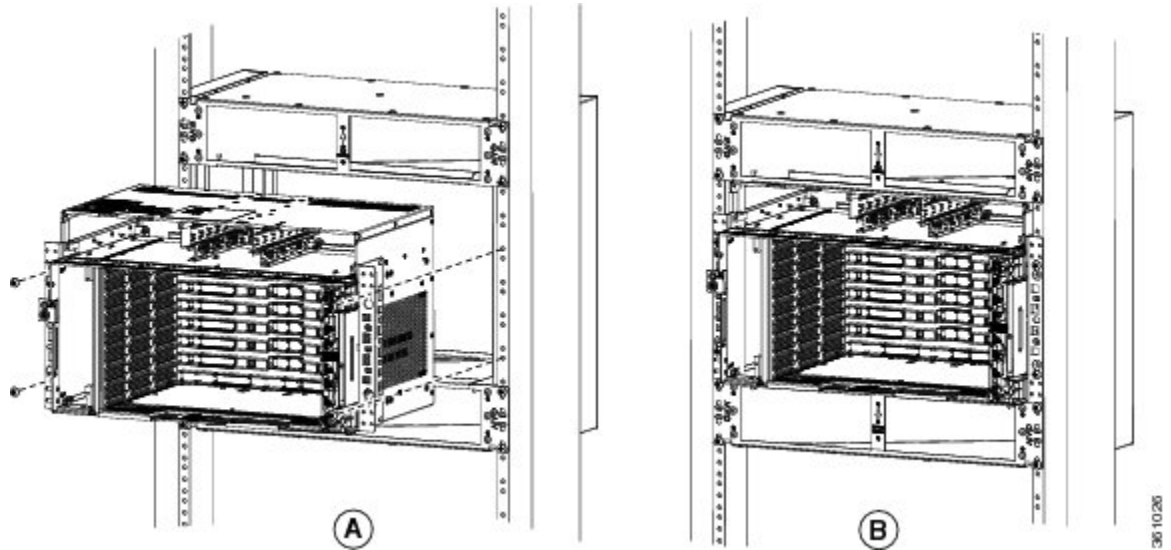
Install the 19-inch standard brackets on both sides of the chassis in the front position. See [DLP-L3 Mounting the Reversible Brackets on the NCS 2006 Shelf for ANSI Rack Configuration](#).

Step 8

Check the length between the top and bottom horizontal air plenums where the chassis will be installed. The length must be not less than 10.5 inches (267 mm). If the length is less, adjust the position of the top horizontal plenum.

Step 9 Install the NCS 2006 empty chassis between the two horizontal plenums.

Figure 9: Installing the NCS 2006 chassis between the horizontal air plenum



Step 10 Return to your originating procedure (NTP).

DLP-L66 Installing Air Plenum in NCS 2006 Shelf for ANSI 23-inch Configuration

| | |
|---------------------------|--|
| Purpose | This task installs the air plenum for the NCS 2006 shelf in the ANSI 23-inch cabinet or rack configuration. |
| Tools/Equipment | <ul style="list-style-type: none"> • #2 Phillips Dynamometric screwdriver • Medium slot-head screwdriver • Small slot-head screwdriver • Screws: #12-24 x 3/4 pan-head Phillips mounting screws (8) • Wing head screws (8) • Adapter plates • One air plenum kit (horizontal and vertical air plenum) |
| Required/As Needed | As needed |
| Onsite/Remote | Onsite |
| Security Level | None |



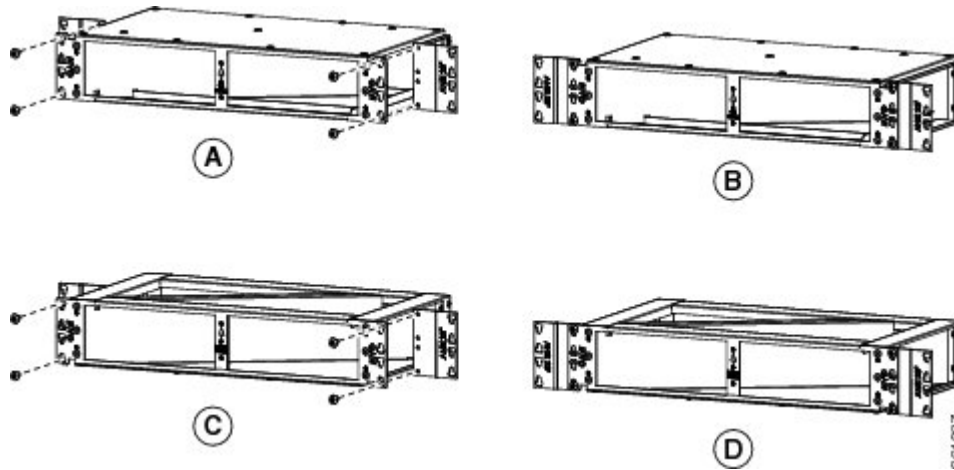
Note The airplenums for ANSI 23-inch configuration can be pre-assembled outside the cabinet and then installed inside the cabinet. See [DLP-L68 Installing Pre-assembled Air Plenums in ANSI 23-inch Configuration, on page 13](#)

Procedure

Step 1 Install the ANSI 23-inch adapter plates on the horizontal air plenum.

Step 2 Align the screws to fix the adapter plates to the shelf. Insert the screws and tighten them to a torque value of 11.5 in-lb (1.3 N-m).

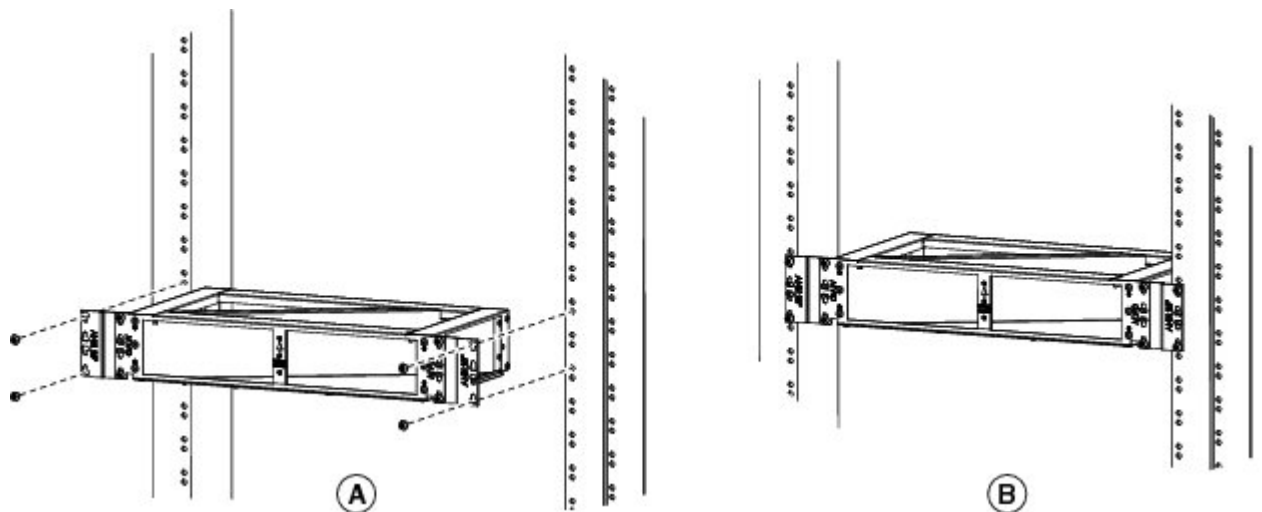
Figure 10: Installing the adapter plates on the horizontal air plenum



Step 3 Place the horizontal air plenum below the shelf slot in the ANSI 23-inch cabinet or rack.

Step 4 Insert the wing head screws provided with the kit, and tighten to a torque value of 11.5 in-lb (1.3 N-m).

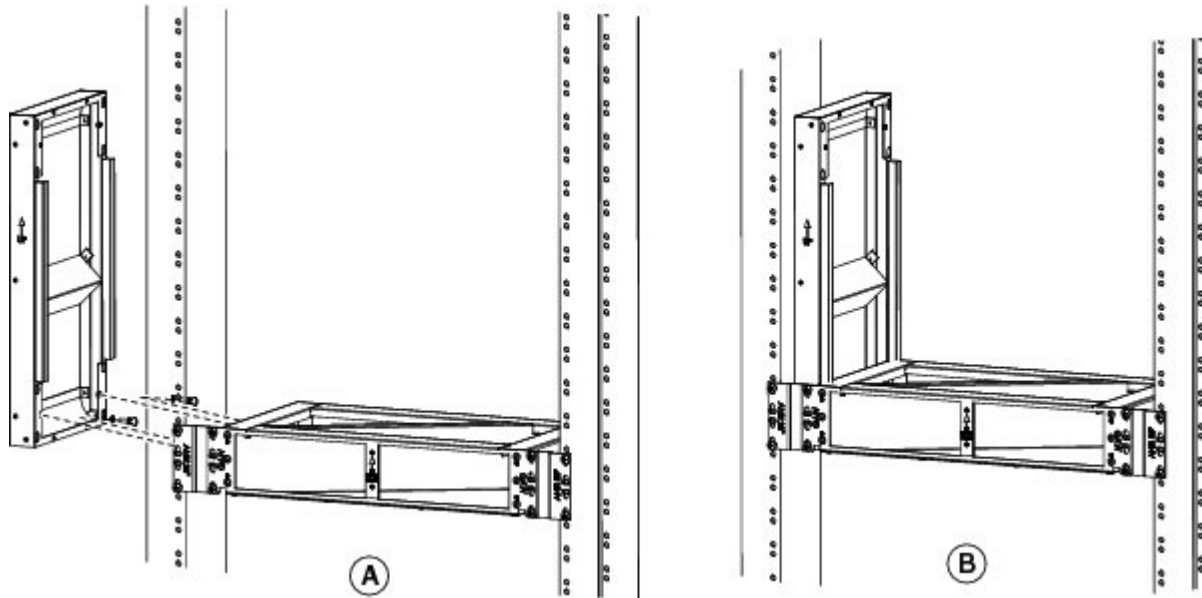
Figure 11: Installing the bottom horizontal air plenum in the ANSI 23-inch configuration



Step 5 Install the vertical air plenum to the left of the horizontal air plenum:

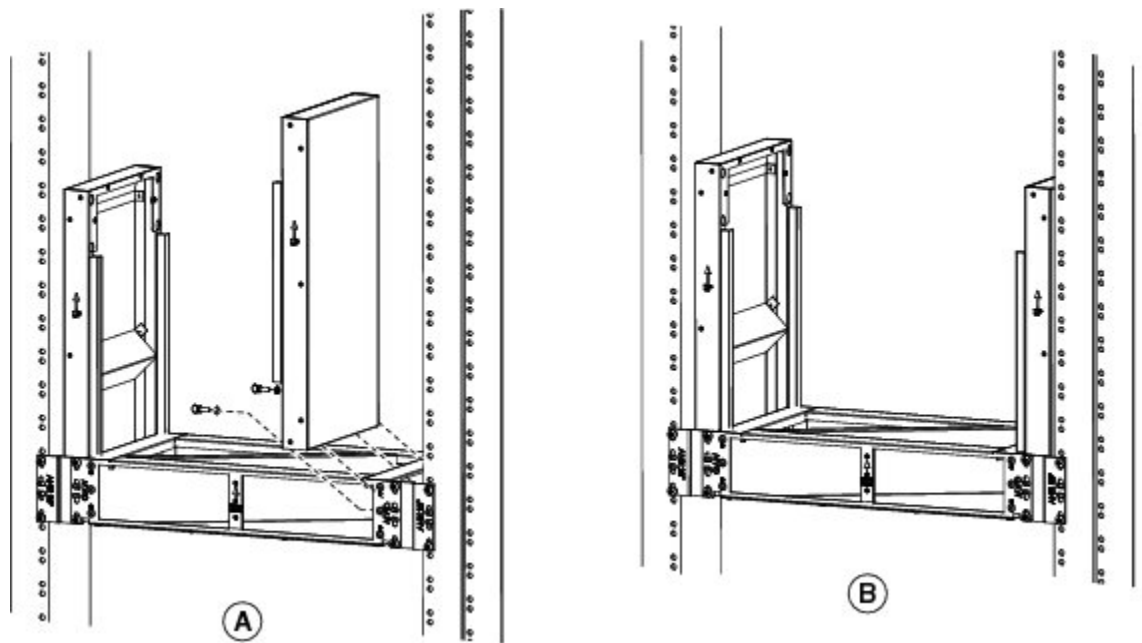
- Insert the vertical air plenum in the free space between the horizontal air plenum and cabinet.
- Install the wing head screws from the internal side of the horizontal plenum as shown in the figure below.
- Tighten the screws to a torque value of 11.5 in-lb (1.3 N-m).

Figure 12: Installing the left vertical air plenum



Step 6 Install the vertical plenum to the right of the horizontal air plenum. Follow step 5a to step 5c.

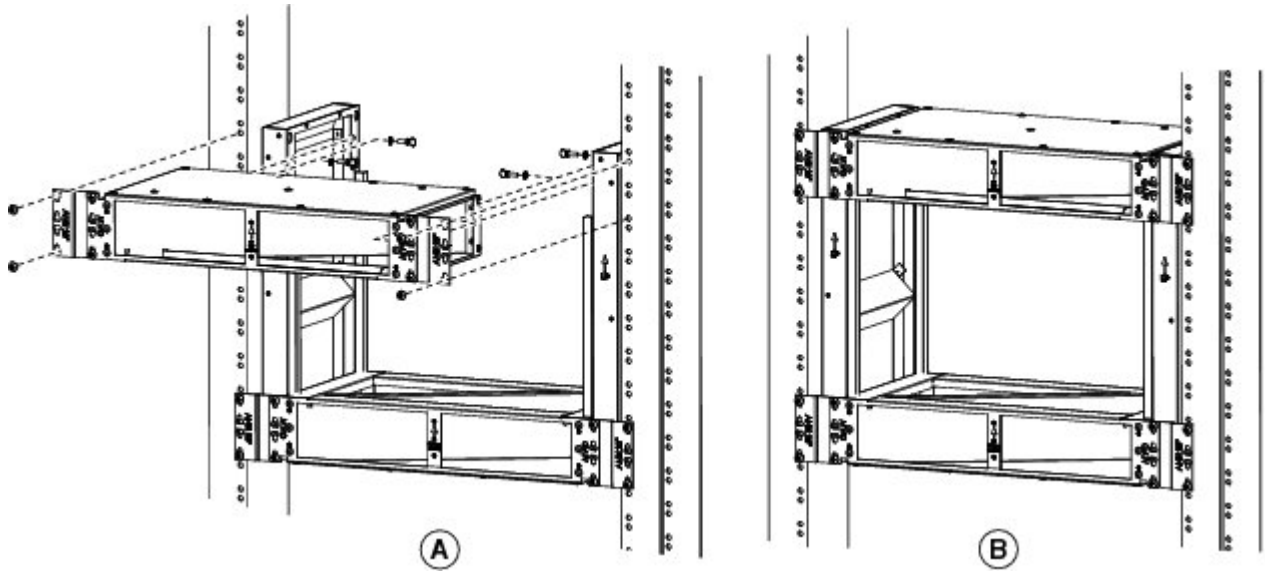
Figure 13: Installing the right vertical air plenum



Step 7 Place the horizontal air plenum above the shelf slot in the ANSI 23-inch cabinet or rack.

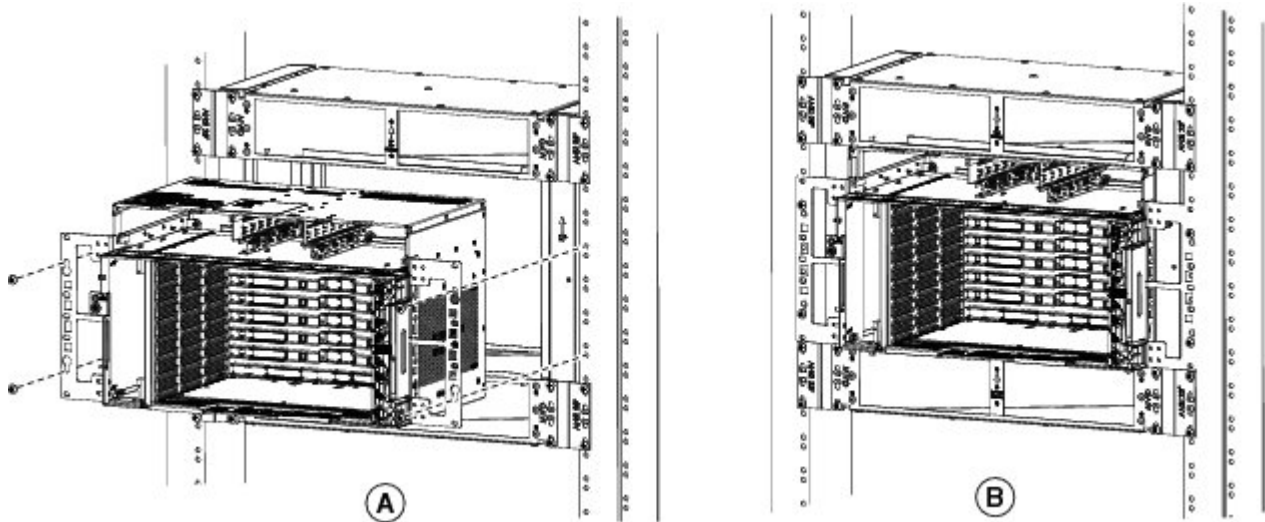
Step 8 Install the wing head screws provided with the kit, and tighten to a torque value of 11.5 in-lb (1.3 N-m).

Figure 14: Installing the horizontal plenum above the vertical plenums



- Step 9** Install ANSI 23-inch standard brackets on both sides of the chassis in front position. See [DLP-L3 Mounting the Reversible Brackets on the NCS 2006 Shelf for ANSI Rack Configuration](#).
- Step 10** Check the length between the top and bottom horizontal air plenums where the chassis will be installed. The length must be not less than 10.5 inches (267 mm). If the length is less, adjust the position of the top horizontal plenum.
- Step 11** Install the NCS 2006 empty chassis between the horizontal plenums.

Figure 15: Installing the NCS 2006 chassis between the horizontal air plenum



- Step 12** Return to your originating procedure (NTP).

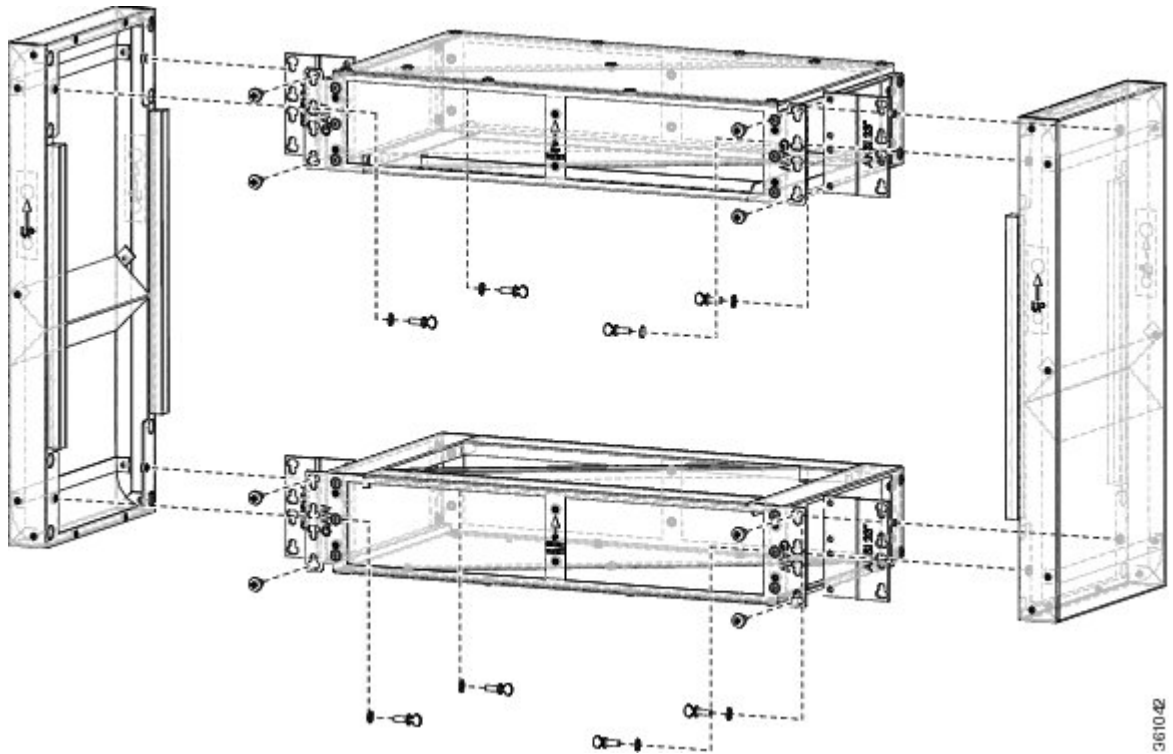
DLP-L68 Installing Pre-assembled Air Plenums in ANSI 23-inch Configuration

| | |
|---------------------------|--|
| Purpose | This task installs pre-assembled air plenums for the NCS 2006 shelf in the ANSI 23-inch configuration. |
| Tools/Equipment | <ul style="list-style-type: none"> • #2 Phillips Dynamometric screwdriver • Medium slot-head screwdriver • Small slot-head screwdriver • Screws: #12-24 x 3/4 pan-head Phillips mounting screws (8) • Wing head screws (8) • Adapter plates • One air plenum kit (horizontal and vertical air plenum) |
| Required/As Needed | As needed |
| Onsite/Remote | Onsite |
| Security Level | None |

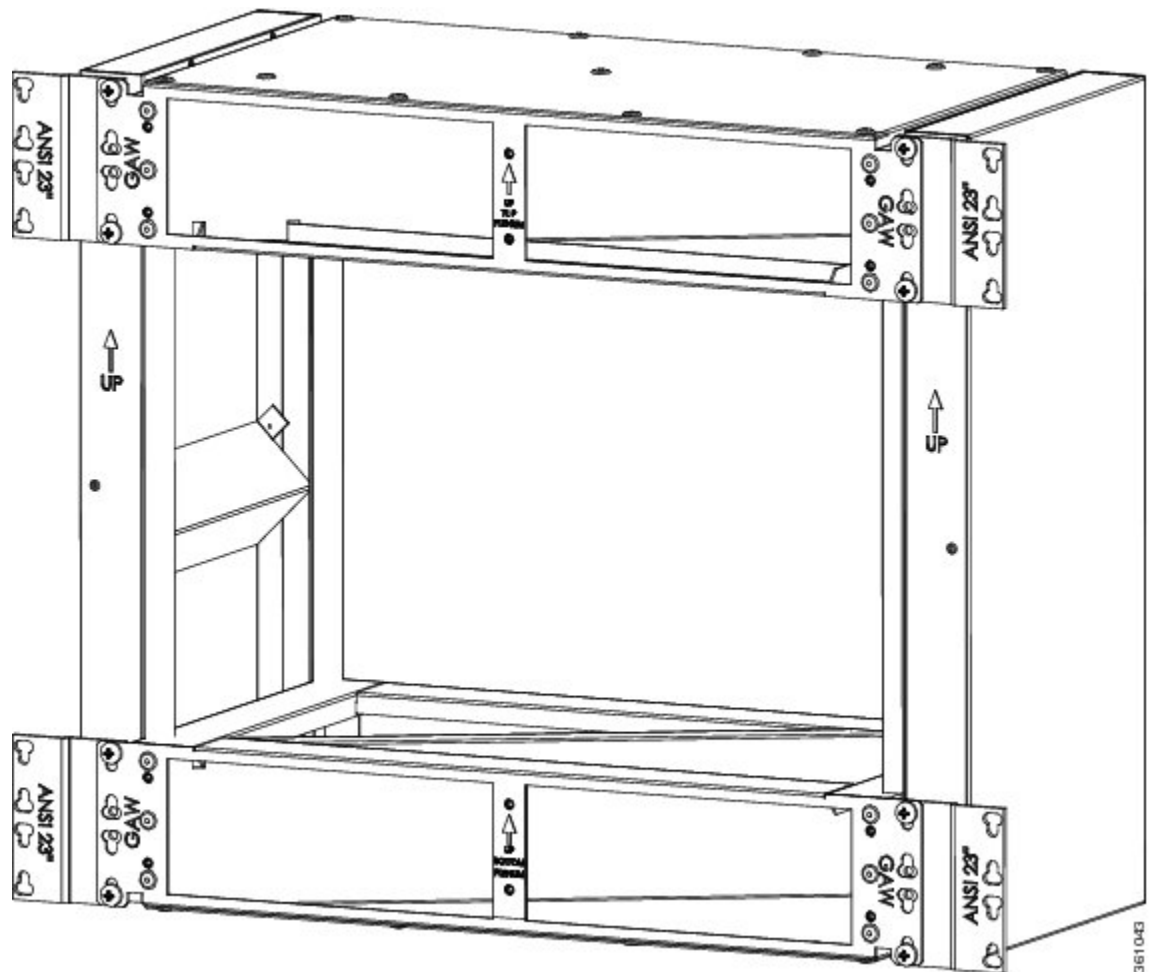
Procedure

-
- Step 1** Install the ANSI 23-inch adapter plates on the horizontal air plenums.
- Step 2** Align the screws to fix the adapter plates to the shelf. Insert the screws and tighten them to a torque value of 11.5 in-lb (1.3 N-m).
- Step 3** Place a horizontal air plenum as the base.
- Step 4** Install the vertical air plenum to the left of the bottom horizontal plenum.
- Step 5** Install the wing head screws from the internal side of the horizontal plenum and tighten the screws to a torque value of 11.5 in-lb (1.3 N-m).
- Step 6** Install the vertical air plenum to the right of the horizontal air plenum. Follow step 5.
- Step 7** Install the horizontal air plenum above the vertical air plenums. Follow step 5.

Figure 16: Pre-assembling the air plenums



Step 8 Install the pre-assembled air plenum for ANSI 23-inch configuration.



- Step 9** Install the pre-assembled air plenums in the ANSI 23-inch rack or cabinet.
- Step 10** Check the length between the top and bottom horizontal air plenums where the chassis will be installed. The length must be not less than 10.5 inches (267 mm). If the length is less, adjust the position of the top horizontal plenum.
- Step 11** Install the empty NCS 2006 chassis between the horizontal plenums.
- Step 12** Return to your originating procedure (NTP).

DLP-L67 Installing Air Plenum for NCS 2006 Shelf in ETSI Configuration

| | |
|----------------|---|
| Purpose | This task installs the air plenum for the NCS 2006 shelf in the ETSI configuration. |
|----------------|---|

| | |
|---------------------------|--|
| Tools/Equipment | <ul style="list-style-type: none"> • #2 Phillips Dynamometric screwdriver • Medium slot-head screwdriver • Small slot-head screwdriver • Screws: M6.0 x 20 pan-head Phillips screws (8) • Wing head screws (8) • Adapter plates • One air plenum kit (horizontal and vertical air plenum) |
| Required/As Needed | As needed |
| Onsite/Remote | Onsite |
| Security Level | None |

Procedure

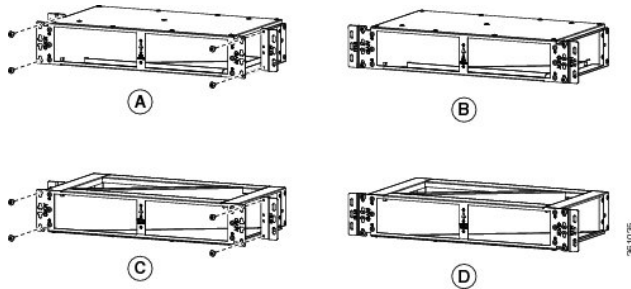
Step 1

Install the ETSI adapter plates on the horizontal air plenums.

Step 2

Align the screws to fix the adapter plates to the shelf. Insert the screws and tighten them to a torque value of 11.5 in-lb (1.3 N-m).

Figure 17: Installing the adapter plates on the horizontal air plenum



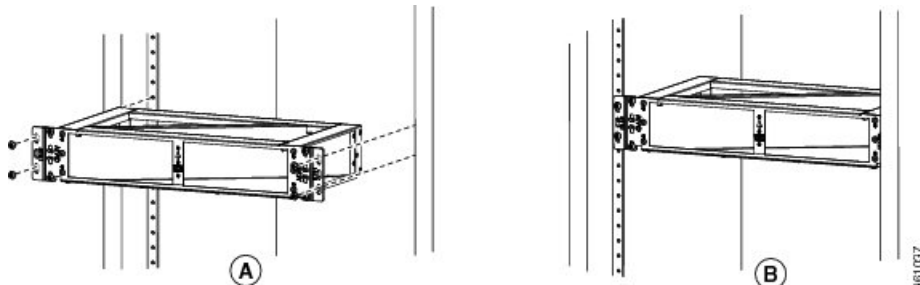
Step 3

Place the horizontal plenum below the chassis slot in the ETSI cabinet.

Step 4

Install the wing head screws provided with the kit, and tighten to a torque value of 11.5 in-lb (1.3 N-m).

Figure 18: Installing the horizontal air plenum in the ETSI configuration



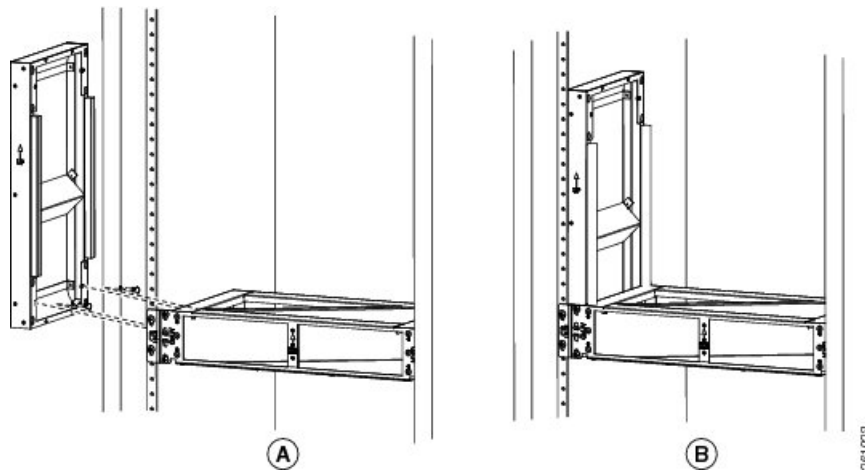
Step 5

Install the vertical air plenum to the left of the horizontal air plenum:

- a) Insert the vertical plenum in the free space between the horizontal plenum and cabinet.
- b) Install the wing head screws from the internal side of the horizontal plenum as shown in the figure below.

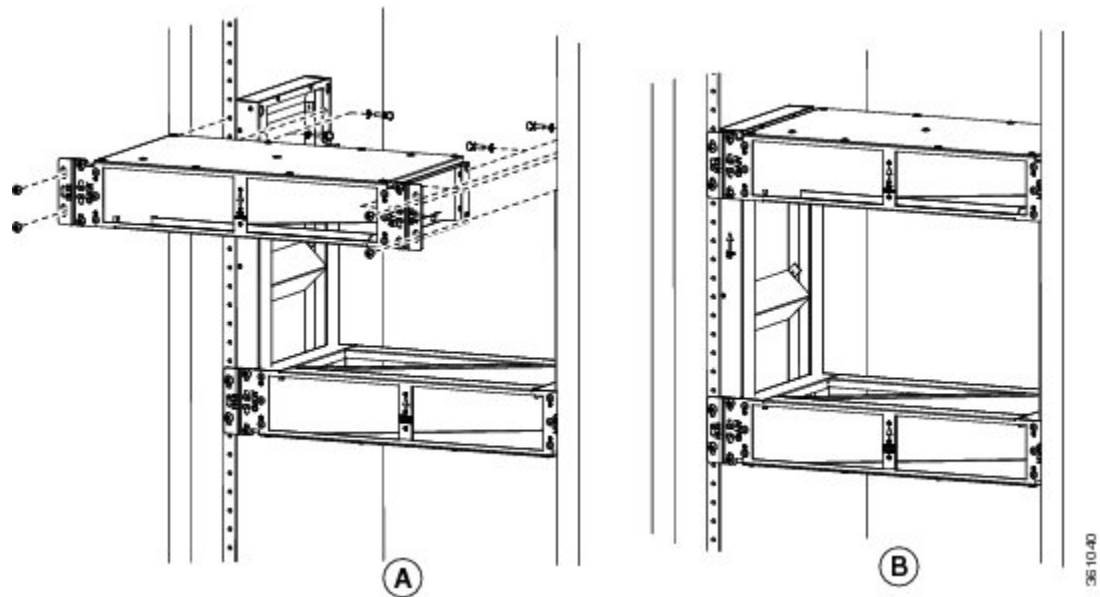
- c) Tighten the screws to a torque value of 11.5 in-lb (1.3 N-m).

Figure 19: Installing the left vertical air plenum



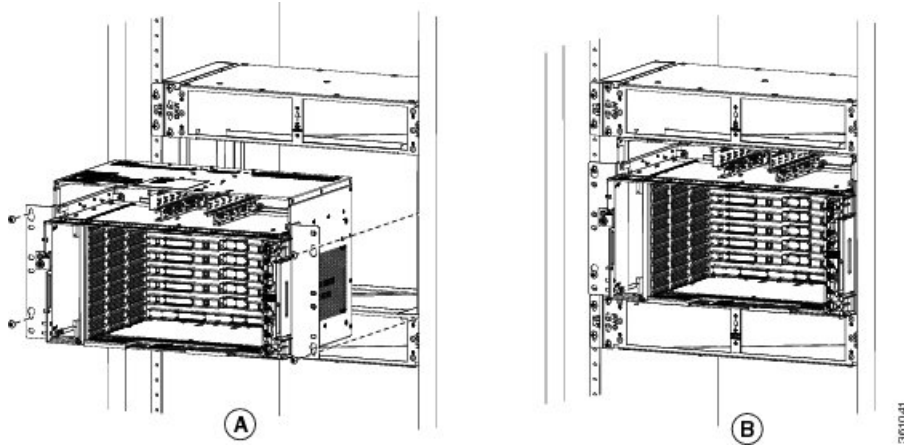
- Step 6** Install the vertical air plenum to the right of the horizontal air plenum. Follow step 5a to step 5c.
Step 7 Place the horizontal plenum above the chassis slot in the ETSI cabinet.
Step 8 Install the wing head screws provided with the kit, and tighten to a torque value of 11.5 in-lb (1.3 N-m).

Figure 20: Installing the horizontal air plenum above the vertical plenums



- Step 9** Install the standard brackets on both sides of the chassis in front position. See [DLP-L5 Mounting the Brackets on the NCS 2006 Shelf for ETSI Rack Configuration](#).
Step 10 Check the length between the top and bottom horizontal air plenums where the chassis will be installed. The length must be not less than 10.5 inches (267 mm). If the length is less, adjust the position of the top horizontal plenum.
Step 11 Install the NCS 2006 empty chassis between the horizontal plenums.

Figure 21: Installing the NCS 2006 chassis below the horizontal air plenum



Step 12 Return to your originating procedure (NTP).

Air Flow Performance of NCS 2006

The tables below summarizes the air flow performance of NCS 2006:

| Chassis | Deflector PID | Deflector | Flow Direction | Maximum Airflow at 40°C (CFM) |
|----------------------------|--|-----------------|-------------------------|-------------------------------|
| NCS 2006 with NCS2006-FTA= | 15454-M6-DEFL21 (ETSI 21-inch deflector) | Air filter side | Front to rear | 136 |
| | | Exhaust side | | |
| | 15454-M6-DEFL23 (ANSI 23-inch deflector) | Air filter side | Front to left side | 258 |
| | | Fan tray side | | |
| | | Air filter side | Front to left side | 268 |
| | No deflectors | | Right side to left side | 295 |