



# Configuring Trunking

---

This chapter provides information about trunking and how to configure the trunking.

- [Finding Feature Information, on page 2](#)
- [Information About Trunking, on page 3](#)
- [Guidelines and Limitations, on page 9](#)
- [Default Settings, on page 13](#)
- [Configuring Trunking, on page 14](#)
- [Verifying Trunking Configuration, on page 16](#)
- [Configuration Example for F Port Trunking, on page 18](#)

## Finding Feature Information

Your software release might not support all the features documented in this module. For the latest caveats and feature information, see the Bug Search Tool at <https://tools.cisco.com/bugsearch/> and the release notes for your software release. To find information about the features documented in this module, and to see a list of the releases in which each feature is supported, see the New and Changed chapter or the Feature History table below.

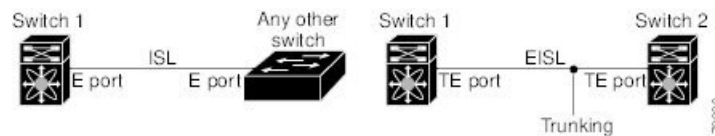
# Information About Trunking

Trunking, also known as VSAN trunking, is a feature specific to switches in the Cisco MDS 9000 Series Multilayer Switches. Trunking enables interconnect ports to transmit and receive frames in more than one VSAN, over the same physical link. Trunking is supported on E ports and F ports (see [Figure 1: Trunking E Ports, on page 3](#) and [Figure 2: Trunking F Ports, on page 3](#)).

## Trunking E Ports

Trunking the E ports enables interconnect ports to transmit and receive frames in more than one VSAN, over the same physical link, using enhanced ISL (EISL) frame format.

**Figure 1: Trunking E Ports**



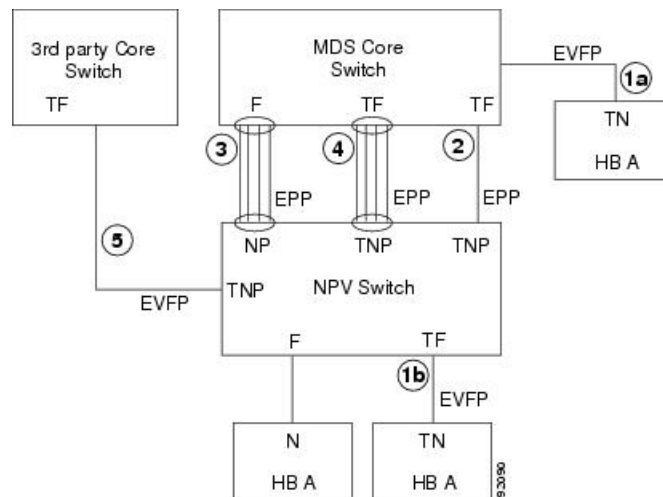
**Note** Trunking is not supported by internal ports on both the Cisco Fabric Switch for HP c\_Class BladeSystem and the Cisco Fabric Switch for IBM BladeCenter.

## Trunking F Ports

Trunking F ports allows interconnected ports to transmit and receive tagged frames in more than one VSAN, over the same physical link.

[Figure 2: Trunking F Ports, on page 3](#) represents the possible trunking scenarios in a SAN with MDS core switches, NPV switches, third-party core switches, and HBAs.

**Figure 2: Trunking F Ports**



Link Number	Link Description
1a and 1b	F port trunk with N port. <sup>1</sup>
2	F port trunk with NP port.
3	F port channel with NP port.
4	Trunked F port channel with NP port.
5	Trunking NP port with third-party core switch F port

<sup>1</sup> These features are not supported currently.

## Key Concepts

The trunking feature includes the following key concepts:

- TE port—If trunk mode is enabled in an E port and that port becomes operational as a trunking E port, it is referred to as a TE port.
- TF port—If trunk mode is enabled in an F port (see the link 2 in [Figure 2: Trunking F Ports, on page 3](#)) and that port becomes operational as a trunking F port, it is referred to as a TF port.
- TN port—If trunk mode is enabled (not currently supported) in an N port (see the link 1b in [Figure 2: Trunking F Ports, on page 3](#)) and that port becomes operational as a trunking N port, it is referred to as a TN port.
- TNP port—If trunk mode is enabled in an NP port (see the link 2 in [Figure 2: Trunking F Ports, on page 3](#)) and that port becomes operational as a trunking NP port, it is referred to as a TNP port.
- TF port channel—If trunk mode is enabled in an F port channel (see the link 4 in [Figure 2: Trunking F Ports, on page 3](#)) and that port channel becomes operational as a trunking F port channel, it is referred to as TF port channel. Cisco Port Trunking Protocol (PTP) is used to carry tagged frames.
- TF-TN port link—A single link can be established to connect an F port to an HBA to carry tagged frames (see the link 1a and 1b in [Figure 2: Trunking F Ports, on page 3](#)) using Exchange Virtual Fabrics Protocol (EVFP). A server can reach multiple VSANs through a TF port without inter-VSAN routing (IVR).
- TF-TNP port link—A single link can be established to connect an TF port to an TNP port using the PTP protocol to carry tagged frames (see the link 2 in [Figure 2: Trunking F Ports, on page 3](#)). PTP is used because PTP also supports trunking port channels.



**Note** The TF-TNP port link between a third-party NPV core and a Cisco NPV switch is established using the EVFP protocol.

- A Fibre Channel VSAN is called Virtual Fabric and uses a VF\_ID in place of the VSAN ID. By default, the VF\_ID is 1 for all ports. When an N port supports trunking, a pWWN is defined for each VSAN and called a logical pWWN. In the case of MDS core switches, the pWWNs for which the N port requests additional FCIDs are called virtual pWWNs.

## Trunking Protocols

The trunking protocol is important for trunking operations on the ports. The protocols enable the following activities:

- Dynamic negotiation of operational trunk mode.
- Selection of a common set of trunk-allowed VSANs.
- Detection of a VSAN mismatch across an ISL.

[Table 1: Supported Trunking Protocols, on page 5](#) specifies the protocols used for trunking and channeling.

**Table 1: Supported Trunking Protocols**

Trunk Link	Default
TE-TE port link	Cisco EPP (PTP)
TF-TN port link <sup>2</sup>	FC-LS Rev 1.62 EVFP
TF-TNP port link	Cisco EPP (PTP)
E or F port channel	Cisco EPP (PCP)
TF port channel	Cisco EPP (PTP and PCP)
Third-party TF-TNP port link <sup>3</sup>	FC-LS Rev 1.62 EVFP

<sup>2</sup> These features are not currently supported.

<sup>3</sup> These features are not currently supported.

By default, the trunking protocol is enabled on E ports and disabled on F ports. If the trunking protocol is disabled on a switch, no port on that switch can apply new trunk configurations. Existing trunk configurations are not affected. The TE port continues to function in trunk mode, but only supports traffic in VSANs that it negotiated with previously (when the trunking protocol was enabled). Also, other switches that are directly connected to this switch are similarly affected on the connected interfaces. In some cases, you may need to merge traffic from different port VSANs across a non-trunking ISL. If so, disable the trunking protocol.



**Note** We recommend that both ends of a trunking link belong to the same port VSAN. On certain switches or fabric switches where the port VSANs are different, one end returns an error and the other end is not connected.

## Trunk Modes

By default, trunk mode is enabled on all Fibre Channel interfaces (Mode: E, F, FL, Fx, ST, and SD) on non-NPV switches. On NPV switches, by default, trunk mode is disabled. You can configure trunk mode as on (enabled), off (disabled), or auto (automatic). The trunk mode configuration at the two ends of an ISL, between two switches, determine the trunking state of the link and the port modes at both ends (see [Table 2: Trunk Mode Status Between Switches, on page 6](#)).

Table 2: Trunk Mode Status Between Switches

Your Trunk Mode Configuration			Resulting State and Port Mode	
Port Type	Switch 1	Switch 2	Trunking State	Port Mode
E ports	On	Auto or on	Trunking (EISL)	TE port
	Off	Auto, on, or off	No trunking (ISL)	E port
	Auto	Auto	No trunking (ISL)	E port
Port Type	Core Switch	NPV Switch	Trunking State	Link Mode
F and NP ports	On	Auto or on	Trunking	TF-TNP link
	Auto	On	Trunking	TF-TNP link
	Off	Auto, on, or off	No trunking	F-NP link



**Tip** The preferred configuration on the Cisco MDS 9000 Series Multilayer Switches is one side of the trunk set to auto and the other side set to on.



**Note** When connected to a third-party switch, the trunk mode configuration on E ports has no effect. The ISL is always in a trunking disabled state. In the case of F ports, if the third-party core switch ACC's physical FLOGI with the EVFP bit is configured, then EVFP protocol enables trunking on the link.

## Trunk-Allowed VSAN Lists and VF\_IDs

Each Fibre Channel interface has an associated trunk-allowed VSAN list. In TE-port mode, frames are transmitted and received in one or more VSANs specified in this list. By default, the VSAN range (1 through 4093) is included in the trunk-allowed list.

The common set of VSANs that are configured and active in the switch are included in the trunk-allowed VSAN list for an interface, and they are called *allowed-active* VSANs. The trunking protocol uses the list of allowed-active VSANs at the two ends of an ISL to determine the list of operational VSANs in which traffic is allowed.

Switch 1 (see [Figure 3: Default Allowed-Active VSAN Configuration, on page 7](#)) has VSANs 1 through 5, switch 2 has VSANs 1 through 3, and switch 3 has VSANs 1, 2, 4, and 5 with a default configuration of trunk-allowed VSANs. All VSANs configured in all three switches are allowed-active. However, only the common set of allowed-active VSANs at the ends of the ISL become operational (see [Figure 3: Default Allowed-Active VSAN Configuration, on page 7](#)).

For all F, N, and NP ports, the default VF\_ID is 1 when there is no VF\_ID configured. The trunk-allowed VF\_ID list on a port is same as the list of trunk-allowed VSANs. VF\_ID 4094 is called the control VF\_ID and it is used to define the list of trunk-allowed VF-IDs when trunking is enabled on the link.

If F port trunking and channeling is enabled, or if **switchport trunk mode on** is configured in NPV mode for any interface, or if NP port channel is configured, the VSAN and VF-ID ranges available for the configuration are as described in [Table 3: VSAN and VF-ID Reservations, on page 7](#).

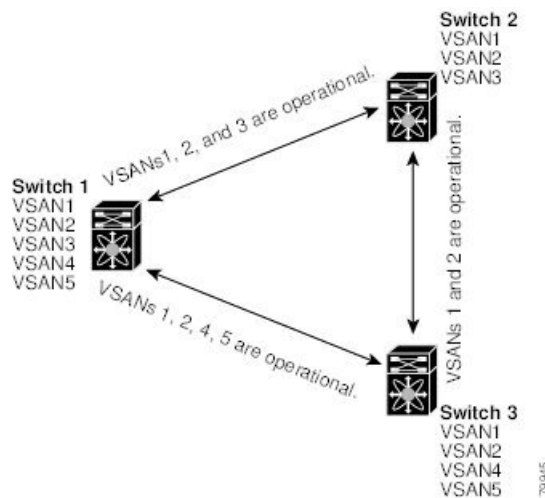
**Table 3: VSAN and VF-ID Reservations**

VSAN or VF-ID	Description
000h	Cannot be used as virtual fabric identifier.
001h(1) to EFFh(3839)	This VSAN range is available for user configuration.
F00h(3840) to FEEh(4078)	Reserved VSANs and they are not available for user configuration.
FEFh(4079)	EVFP isolated VSAN.
FF0h(4080) to FFEh(4094)	Used for vendor-specific VSANs.
FFFh	Cannot be used as virtual fabric identifier.



**Note** If the VF\_ID of the F port and the N port do not match, then no tagged frames can be exchanged.

**Figure 3: Default Allowed-Active VSAN Configuration**



You can configure a select set of VSANs (from the allowed-active list) to control access to the VSANs specified in a trunking ISL.

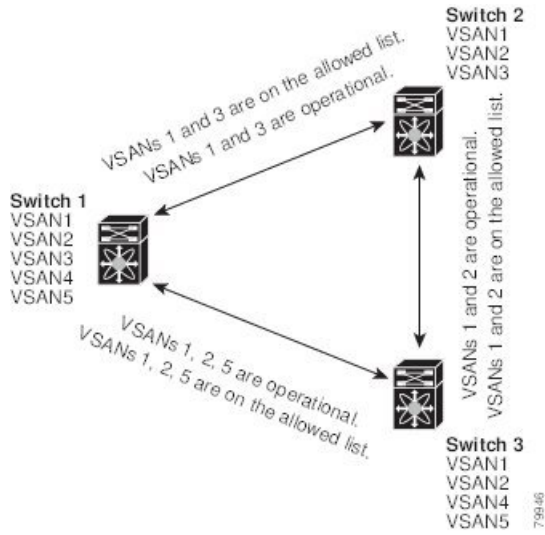
Using [Figure 3: Default Allowed-Active VSAN Configuration, on page 7](#) as an example, you can configure the list of allowed VSANs on a per-interface basis (see [Figure 4: Operational and Allowed VSAN Configuration, on page 8](#)). For example, if VSANs 2 and 4 are removed from the allowed VSAN list of ISLs connecting to switch 1, the operational allowed list of VSANs for each ISL would be as follows:

- The ISL between switch 1 and switch 2 includes VSAN 1 and VSAN 3.
- The ISL between switch 2 and switch 3 includes VSAN 1 and VSAN 2.

- The ISL between switch 3 and switch 1 includes VSAN 1, 2, and 5.

Consequently, VSAN 2 can only be routed from switch 1 through switch 3 to switch 2.

**Figure 4: Operational and Allowed VSAN Configuration**





# Guidelines and Limitations

## General Guidelines and Limitations

The trunking feature has the following general configuration guidelines and limitations:

- You will see the **switchport trunk mode off** command added to F ports after upgrading from Cisco MDS NX-OS Release 8.1(1) to Cisco MDS NX-OS Release 8.2(1).
- F ports support trunking in Fx mode.
- The trunk-allowed VSANs configured for TE, TF, and TNP links are used by the trunking protocol to determine the allowed active VSANs in which frames can be received or transmitted.
- If a trunking enabled E port is connected to a third-party switch, the trunking protocol ensures seamless operation as an E port.
- Trunking F ports and trunking F port channels are not supported on the following hardware:
  - 91x4 switches, if NPIV is enabled and used as the NPIV core switch.
  - Generation 1 2-Gbps Fibre Channel switching modules.
- On core switches, the FC-SP authentication will be supported only for the physical FLOGI from the physical pWWN.
- No FC-SP authentication is supported by the NPV switch on the server F ports.
- MDS does not enforce the uniqueness of logical pWWNs across VSANs.
- DPVM is not supported on trunked F port logins.
- The DPVM feature is limited to the control of the port VSAN, since the EVFP protocol does not allow changing the VSAN on which a logical pWWN has done FLOGI.
- The port security configuration will be applied to both the first physical FLOGI and the per VSAN FLOGIs.
- Trunking is not supported on F ports that have FlexAttach enabled.
- On MDS 91x4 core switches, hard zoning can be done only on F ports that are doing either NPIV or trunking. However, in NPV mode, this restriction does not apply since zoning is enforced on the core F port.



---

**Note** Fibre Channel Security Protocol (FC-SP) is not supported for 6.2(1) release on MDS 9710, but targeted for a future release.

---

## Upgrade and Downgrade Limitations

The trunking and channeling feature includes the following upgrade and downgrade limitations:

- When F port trunking or channeling is configured on a link, the switch cannot be downgraded to Cisco MDS SAN-OS Release 3.x and NX-OS Release 4.1(1b), or earlier.
- If you are upgrading from a SAN-OS Release 3.x to NX-OS Release 5.0(1), and you have not created VSAN 4079, the NX-OS software will automatically create VSAN 4079 and reserve it for EVFP use.

If VSAN 4079 is reserved for EVFP use, the **switchport trunk allowed vsan** command will filter out VSAN 4079 from the allowed list, as shown in the following example:

```
switch(config-if)# switchport trunk allowed vsan 1-4080
1-4078,4080
```

- If you have created VSAN 4079, the upgrade to NX-OS Release 5.0(1) will have no effect on VSAN 4079.
- If you downgrade after NX-OS Release 5.0(1), the VSAN will no longer be reserved for EVFP use.

## Difference Between TE Ports and TF-TNP Ports

In case of TE ports, the VSAN will be in initializing state when VSAN is coming up on that interface and when peers are in negotiating phase. Once the handshake is done, VSAN will be moved to up state in the successful case, and isolated state in the case of failure. Device Manager will show the port status as amber during initializing state and it will be green once VSANs are up.

This example shows the trunk VSAN states of a TE port:

```
switch# show interface fc2/15
fc2/15 is trunking
  Hardware is Fibre Channel, SFP is short wave laser w/o OFC (SN)
  Port WWN is 20:4f:00:0d:ec:6d:2b:40
  Peer port WWN is 20:0a:00:0d:ec:3f:ab:80
  Admin port mode is auto, trunk mode is on
  snmp link state traps are enabled
  Port mode is TE
  Port vsan is 1
  Speed is 2 Gbps
  Rate mode is dedicated
  Transmit B2B Credit is 16
  Receive B2B Credit is 250
  B2B State Change Number is 14
  Receive data field Size is 2112
  Beacon is turned off
  Trunk vsans (admin allowed and active) (1,100-101,1101,1163-1166,1216,2172,2182-2183)
  Trunk vsans (up) (1,1101,1163-1166,1216,2172,2182-2183)
  Trunk vsans (isolated) (100-101)
  Trunk vsans (initializing) ()
```

In case of TF ports, after the handshake, one of the allowed VSANs will be moved to the up state. All other VSANs will be in initializing state even though the handshake with the peer is completed and successful. Each VSAN will be moved from initializing state to up state when a server or target logs in through the trunked F or NP ports in the corresponding VSAN.



**Note** In case of TF or TNP ports, the Device Manager will show the port status as amber even after port is up and there is no failure. It will be changed to green once all the VSAN has successful logins.

This example shows a TF port information after the port is in the up state:

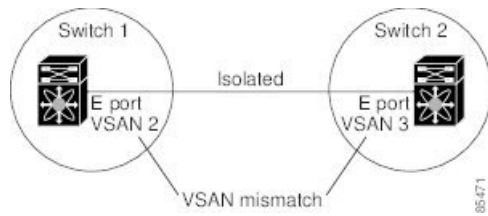
```
sw7# show interface fc1/13
fc1/13 is trunking (Not all VSANs UP on the trunk)
  Hardware is Fibre Channel, SFP is short wave laser w/o OFC (SN)
  Port WWN is 20:0d:00:0d:ec:6d:2b:40
  Admin port mode is FX, trunk mode is on
  snmp link state traps are enabled
  Port mode is TF
  Port vsan is 1
  Speed is 4 Gbps
  Rate mode is shared
  Transmit B2B Credit is 16
  Receive B2B Credit is 32
  Receive data field Size is 2112
  Beacon is turned off
  Trunk vsans (admin allowed and active) (1,100-101,1101,1163-1166,1216,2172,2182-2183)
  Trunk vsans (up) (1)
  Trunk vsans (isolated) ()
  Trunk vsans (initializing) (1101,1163-1166,1216,2172,2182)
```

This example shows the TF port information when a server logs in on noninternal FLOGI VSAN. VSAN 2183 is moved to the up state when the server logs in to VSAN 2183.

```
w7# show interface fc1/13
fc1/13 is trunking (Not all VSANs UP on the trunk)
  Hardware is Fibre Channel, SFP is short wave laser w/o OFC (SN)
  Port WWN is 20:0d:00:0d:ec:6d:2b:40
  Admin port mode is FX, trunk mode is on
  snmp link state traps are enabled
  Port mode is TF
  Port vsan is 1
  Speed is 4 Gbps
  Rate mode is shared
  Transmit B2B Credit is 16
  Receive B2B Credit is 32
  Receive data field Size is 2112
  Beacon is turned off
  Trunk vsans (admin allowed and active) (1,100-101,1101,1163-1166,1216,2172,2182-2183)
  Trunk vsans (up) (1,2183)
  Trunk vsans (isolated) ()
  Trunk vsans (initializing) (1101,1163-1166,1216,2172,2182)
```

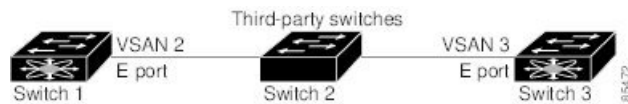
## Trunking Misconfiguration Examples

If you do not configure the VSANs correctly, issues with the connection may occur. For example, if you merge the traffic in two VSANs, both VSANs will be mismatched. The trunking protocol validates the VSAN interfaces at both ends of a link to avoid merging VSANs (see [Figure 5: VSAN Mismatch, on page 12](#)).

**Figure 5: VSAN Mismatch**

The trunking protocol detects potential VSAN merging and isolates the ports involved (see [Figure 5: VSAN Mismatch, on page 12](#)).

The trunking protocol cannot detect merging of VSANs when a third-party switch is placed in between two Cisco MDS 9000 Series Multilayer Switches (see [Figure 6: Third-Party Switch VSAN Mismatch, on page 12](#)).

**Figure 6: Third-Party Switch VSAN Mismatch**

VSAN 2 and VSAN 3 are effectively merged with overlapping entries in the name server and the zone applications. Cisco DCNM-SAN helps detect such topologies.

# Default Settings

Table 4: Default Trunk Configuration Parameters , on page 13 lists the default settings for trunking parameters.

*Table 4: Default Trunk Configuration Parameters*

Parameters	Default
Switch port trunk mode	ON on non-NPV and MDS core switches. OFF on NPV switches.
Allowed VSAN list	1 to 4093 user-defined VSAN IDs.
Allowed VF-ID list	1 to 4093 user-defined VF-IDs.
Trunking protocol on E ports	Enabled.
Trunking protocol on F ports	Disabled.

# Configuring Trunking

## Enabling the Cisco Trunking and Channeling Protocols

To enable or disable the Cisco trunking and channeling protocol, perform these steps:

### Before you begin

To avoid inconsistent configurations, disable all ports with a **shutdown** command before enabling or disabling the trunking protocols.

- 
- |               |  |
|---------------|--|
| <b>Step 1</b> | <code>switch# configure terminal</code><br>Enters configuration mode.                                    |
| <b>Step 2</b> | <code>switch(config)# trunk protocol enable</code><br>Enables the Cisco PTP trunking protocol (default). |
| <b>Step 3</b> | <code>switch(config)# no trunk protocol enable</code><br>Disables the Cisco PTP trunking protocol.       |
- 

## Enabling the F Port Trunking and Channeling Protocol

To enable or disable the F port trunking and channeling protocol, perform these steps:

### Before you begin

To avoid inconsistent configurations, shut all ports before enabling or disabling the trunking protocols.

- 
- |               |  |
|---------------|--|
| <b>Step 1</b> | <code>switch# configure terminal</code><br>Enters configuration mode.  |
| <b>Step 2</b> | <code>switch(config)# feature fport-channel-trunk</code><br>Enables the F port trunking and channeling protocol (default). |
| <b>Step 3</b> | <code>switch(config)# no feature fport-channel-trunk</code><br>Disables the F port trunking and channeling protocol.       |
- 

## Configuring Trunk Mode

To configure trunk mode, perform these steps:

- 
- Step 1**    `switch# configure terminal`  
Enters configuration mode.
- Step 2**    `switch(config)# interface fc1/1`  
Configures the specified interface.
- Step 3**    `switch(config-if)# switchport trunk mode on`  
Enables (default) the trunk mode for the specified interface.  
`switch(config-if)# switchport trunk mode off`  
(Optional) Disables the trunk mode for the specified interface.  
`switch(config-if)# switchport trunk mode auto`  
(Optional) Configures the trunk mode to **auto** mode, which provides automatic sensing for the interface.
- 

## Configuring an Allowed-Active List of VSANs

To configure an allowed-active list of VSANs for an interface, perform these steps:

- 
- Step 1**    `switch# configure terminal`  
Enters configuration mode.
- Step 2**    `switch(config)# interface fc1/1`  
Configures the specified interface.
- Step 3**    `switch(config-if)# switchport trunk allowed vsan 2-4`  
Changes the allowed list for the specified VSANs.
- Step 4**    `switch(config-if)# switchport trunk allowed vsan add 5`  
Expands the specified VSAN (5) to the new allowed list.  
`switch(config-if)# no switchport trunk allowed vsan 2-4`  
(Optional) Deletes VSANs 2, 3, and 4.  
`switch(config-if)# no switchport trunk allowed vsan add 5`  
(Optional) Deletes the expanded allowed list.
-

# Verifying Trunking Configuration

To display trunking configuration information, perform one of the following tasks:

Command	Purpose
<b>show interface fc slot/port</b>	Displays the interface configuration information that includes trunking, trunk mode, allowed VSANs, and status.
<b>show trunk protocol</b>	Displays whether the trunk protocol is enabled.
<b>show interface trunk vsan numbers</b>	Displays whether the interface is trunking, and the allowed VSAN list for each trunking interface.

For detailed information about the fields in the output from these commands, refer to the [Cisco MDS NX-OS Command Reference](#).

The **show interface** command is invoked from the EXEC mode and displays trunking configurations for a TE port. Without any arguments, this command displays the information for all of the configured interfaces in the switch. See Examples [Displays a Trunked Fibre Channel Interface, on page 16](#) to [Displays Per VSAN Information on Trunk Ports, on page 17](#).

## Displays a Trunked Fibre Channel Interface

```
switch# show interface fc1/13
fc1/13 is trunking
  Hardware is Fibre Channel
  Port WWN is 20:0d:00:05:30:00:58:1e
  Peer port WWN is 20:0d:00:05:30:00:59:1e
  Admin port mode is auto, trunk mode is on
  Port mode is TE
  Port vsan is 1
  Speed is 2 Gbps
  Receive B2B Credit is 255
  Beacon is turned off
  Trunk vsans (admin allowed and active) (1)
  Trunk vsans (up) (1)
  Trunk vsans (isolated) ()
  Trunk vsans (initializing) ()
  5 minutes input rate 0 bits/sec, 0 bytes/sec, 0 frames/sec
  5 minutes output rate 0 bits/sec, 0 bytes/sec, 0 frames/sec
  233996 frames input, 14154208 bytes, 0 discards
    0 CRC, 0 unknown class
    0 too long, 0 too short
  236 frames output, 13818044 bytes, 0 discards
  11 input OLS, 12 LRR, 10 NOS, 28 loop inits
  34 output OLS, 19 LRR, 17 NOS, 12 loop inits
```

## Displays the Trunking Protocol

```
switch# show trunk protocol
Trunk protocol is enabled
```



### Displays Per VSAN Information on Trunk Ports

```
switch# show interface trunk vsan 1-1000
fc3/1 is not trunking
...
fc3/7 is trunking
  Vsan 1000 is down (Isolation due to vsan not configured on peer)
...
fc3/10 is trunking
  Vsan 1 is up, FCID is 0x760001
  Vsan 2 is up, FCID is 0x6f0001
fc3/11 is trunking
  Belongs to port-channel 6
  Vsan 1 is up, FCID is 0xef0000
  Vsan 2 is up, FCID is 0xef0000
...
port-channel 6 is trunking
  Vsan 1 is up, FCID is 0xef0000
  Vsan 2 is up, FCID is 0xef0000
```

# Configuration Example for F Port Trunking

This example shows how to configure trunking and bring up the TF-TNP link between an F port in the NPIV core switch and an NP port in the NPV switch:

**Step 1** Enable the F port trunking and channeling protocol on the MDS core switch:

**Example:**

```
switch(config)# feature fport-channel-trunk
```

**Step 2** Enable NPIV on the MDS core switch:

**Example:**

```
switch(config)# feature npiv
```

**Step 3** Configure the port mode to auto, F, or Fx on the MDS core switch:

**Example:**

```
switch(config)# interface fc1/2
switch(config-if)# switchport mode F
```

**Step 4** Configure the trunk mode to ON on the MDS core switch:

**Example:**

```
switch(config-if)# switchport trunk mode on
```

**Step 5** Configure the port mode to NP on the NPV switch:

**Example:**

```
switch(config)# interface fc1/2
switch(config-if)# switchport mode NP
```

**Step 6** Configure the trunk mode to ON on the NPV switch:

**Example:**

```
switch(config-if)# switchport trunk mode on
```

**Step 7** Set the port administrative state on NPIV and NPV switches to ON:

**Example:**

```
switch(config)# interface fc1/2
switch(config-if)# shut
```

```
switch(config-if) # no shut
```

**Step 8** Save the configuration.

**Example:**

```
switch(config) # copy running-config startup-config
```

---

