



Mount the Chassis

- [Unpack and Inspect the Chassis, on page 1](#)
- [Wall-Mount the Chassis, on page 2](#)
- [Rack-Mount the Chassis, on page 2](#)
- [Ground the Chassis, on page 3](#)

Unpack and Inspect the Chassis



Note The chassis is thoroughly inspected before shipment. If any damage occurred during transportation or any items are missing, contact your customer service representative immediately. Keep the shipping container in case you need to send the chassis back due to damage.

See [Package Contents](#) for a list of what shipped with the chassis.



Warning You must install the unit in a restricted access location in the following cases:

- If you are using a DC power connection and the ambient temperature is more than 50°C.
- If you are using a centralized DC power connection.

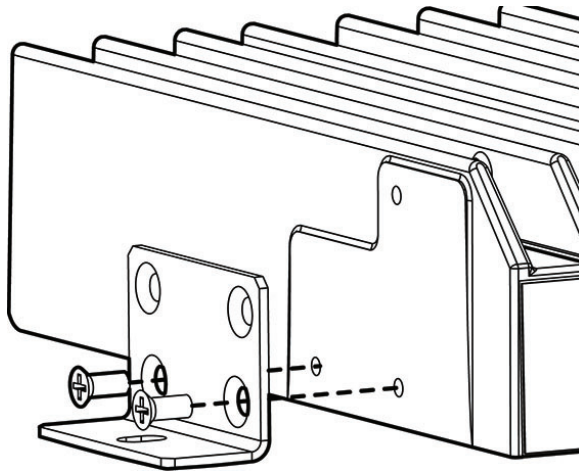
-
- Step 1** Remove the chassis from its cardboard container and save all packaging material.
- Step 2** Compare the shipment to the equipment list provided by your customer service representative. Verify that you have all items.
- Step 3** Check for damage and report any discrepancies or damage to your customer service representative. Have the following information ready:
- Invoice number of shipper (see the packing slip)
 - Model and serial number of the damaged unit
 - Description of damage

- Effect of damage on the installation
-

Wall-Mount the Chassis

Secure the Wallmount Kit to both sides of the Module using the provided screws.

Figure 1: Secure the Wallmount Kit



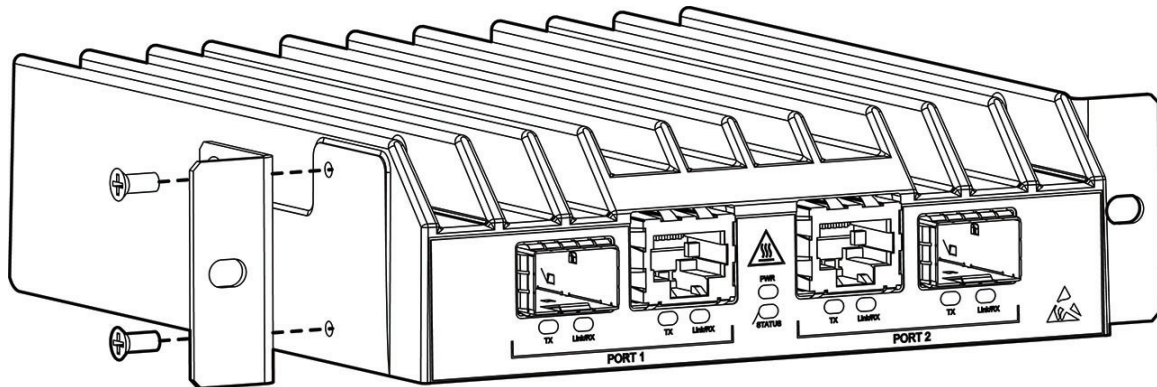
- The support surface and the fasteners you use must support at least 2.5 kg (5.5 lbs.).
- Cable pull—accidental or otherwise—should not exceed the 2.5 kg (5.5 lbs.) limit.

Rack-Mount the Chassis

To rack-mount the chassis:

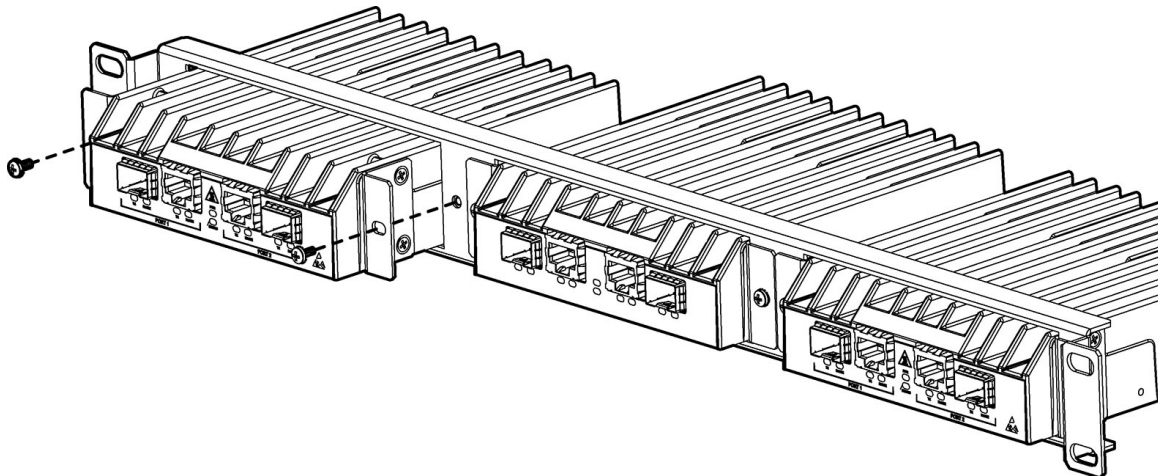
- Step 1** Secure two L-shaped mounting brackets vertically to both sides of each Module using the provided screws.

Figure 2: Secure the L-shaped Mounting Brackets



Step 2 Carefully slide each Module into the rack mount bracket with its heat sink facing upward. The rack-mount bracket may provide up to three bays.

Figure 3: Slide the Module



Step 3 Align the L-shaped brackets with the pre-drilled holes and secure each Module to the rack mount bracket.

Step 4 Secure the rack-mount bracket to the rack using the fasteners as recommended by the manufacturer.

Ground the Chassis



Note Grounding is applicable for the DC Power Input Model only.



Note **Statement 7013**—Equipment Grounding Systems—Common Bonding Network (CBN)
This equipment is suitable for installations using the CBN.



Note **Statement 8016**—Installation Location Where the National Electric Code (NEC) Applies
This equipment is suitable for installation in locations where the NEC applies.



Warning **Statement 1101**—Connected To Grounded Outlet
In the Scandinavian countries (Denmark, Finland, Iceland, Norway, and Sweden) the appliance must be connected to a grounded outlet.



Warning For optimal performance, connect the functional ground screw to a suitable grounding point before applying power.
