



## Rack-Mount the Chassis

---

- [Unpack and Inspect the Chassis, on page 1](#)
- [Desktop-Mount the Chassis, on page 2](#)
- [Wall-Mount the Chassis, on page 2](#)
- [Rack-Mount the Chassis, on page 3](#)
- [Ground the Chassis, on page 5](#)

## Unpack and Inspect the Chassis



---

**Note** The chassis is thoroughly inspected before shipment. If any damage occurred during transportation or any items are missing, contact your customer service representative immediately. Keep the shipping container in case you need to send the chassis back due to damage.

---

See [Package Contents](#) for a list of what shipped with the chassis.



---

**Note** Mounting kits are ordered separately.

---



---

**Warning** You must install the unit in a restricted access location in the following cases:

- If you are using a DC power connection and the ambient temperature is more than 50°C.
  - If you are using a centralized DC power connection.
- 

---

**Step 1** Remove the chassis from its cardboard container and save all packaging material.

**Step 2** Compare the shipment to the equipment list provided by your customer service representative. Verify that you have all items.

**Step 3** Check for damage and report any discrepancies or damage to your customer service representative. Have the following information ready:

- Invoice number of shipper (see the packing slip)
  - Model and serial number of the damaged unit
  - Description of damage
  - Effect of damage on the installation
- 

## Desktop-Mount the Chassis

Attach the included rubber feet to the bottom of the unit for added stability when placing on a desktop or other flat surface.

Ensure that the fan airflow is not blocked by any obstacles.



---

**Caution** Do not stack one chassis on top of another chassis. If you stack the units, they overheat, which causes the units to power cycle.

---

## Wall-Mount the Chassis

When mounting a unit on a wall, ensure that:

- The support surface and the fasteners you use must support at least 22 lb (10 kg).
- Cable pull (accidental or otherwise) does not exceed the 4.4 lb (2 kg) limit.



---

**Note** Mounting kits are ordered separately.

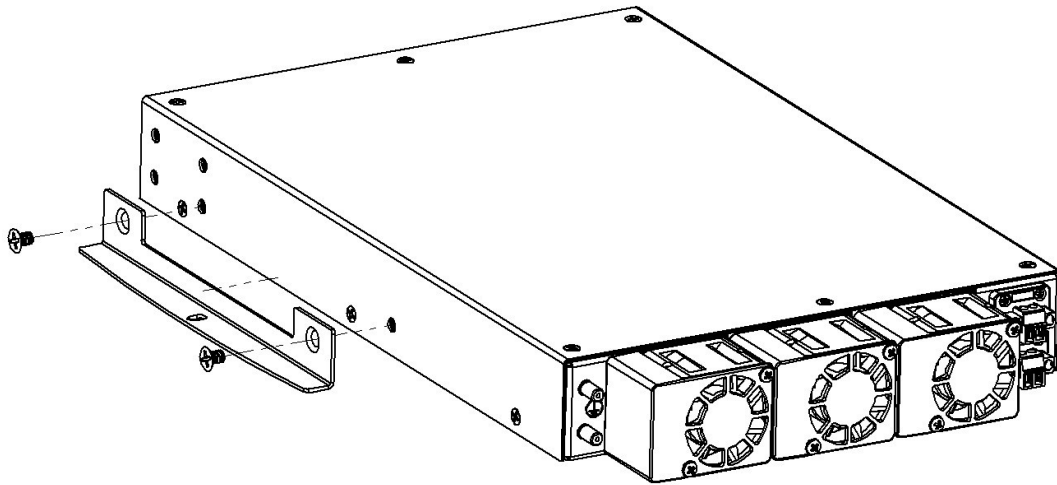
---

Follow these steps to mount your chassis on a wall.

---

**Step 1** Using a Philips screwdriver, secure the Wallmount Kit to both sides of the unit using the provided screws, as shown in the figure below.

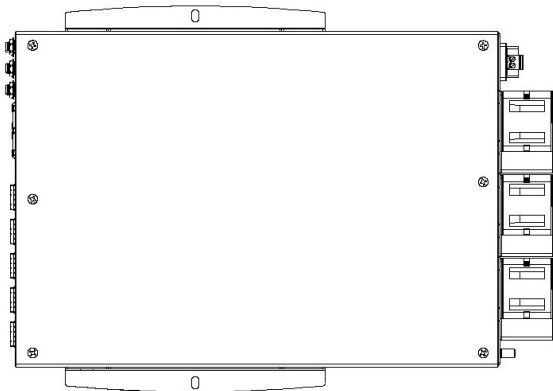
*Figure 1: Align and Attach the Wallmount Kit*



**Step 2** Secure to the wall using the screws provided.

**Warning** Ensure to install the unit on the wall in the position shown below to ensure proper ventilation of the unit.

*Figure 2: Wall Installation Position*



## Rack-Mount the Chassis

### Safety Warnings

Take note of the following warnings:

**Warning**

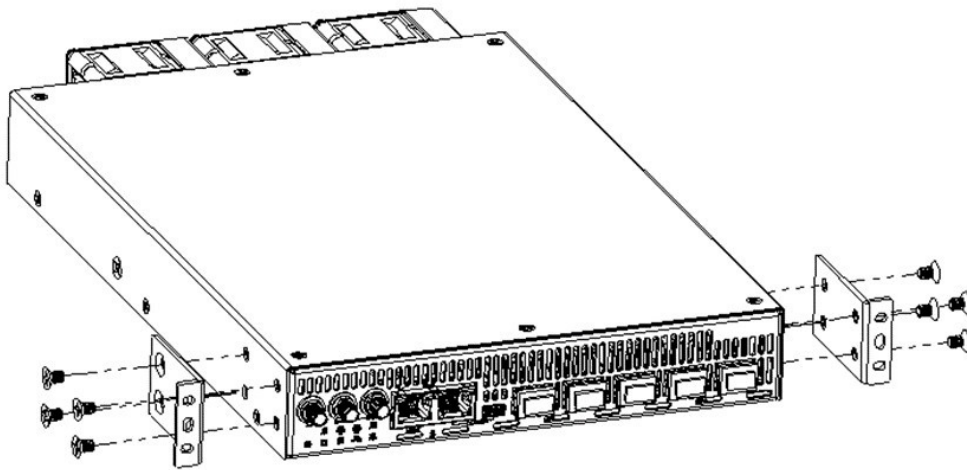
To conform to the NEBS Seismic Zone 4 requirements, the bracket must be secured, using screws specified by the rack manufacturer, to a NEBS Seismic Zone 4 compliant rack. Such screws are not provided with the bracket kit.

Only the flush mounting options are NEBS compliant.

**Step 1**

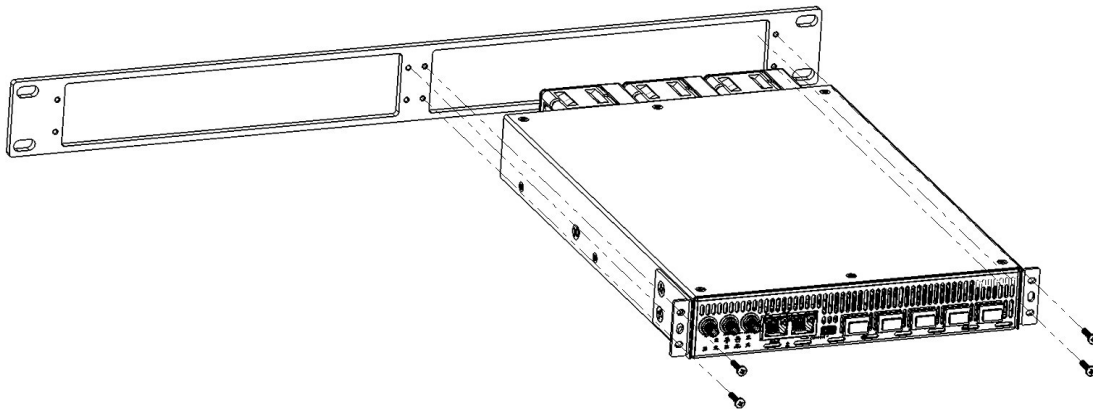
Using a Philips screwdriver, secure two L-shaped mounting brackets vertically to both sides of the unit using the provided screws, as shown in the figure below.

*Figure 3: Align the L-brackets*

**Step 2**

Secure this assembly to the rack-mount bracket using four pan head screws provided.

*Figure 4: Secure the Assembly*



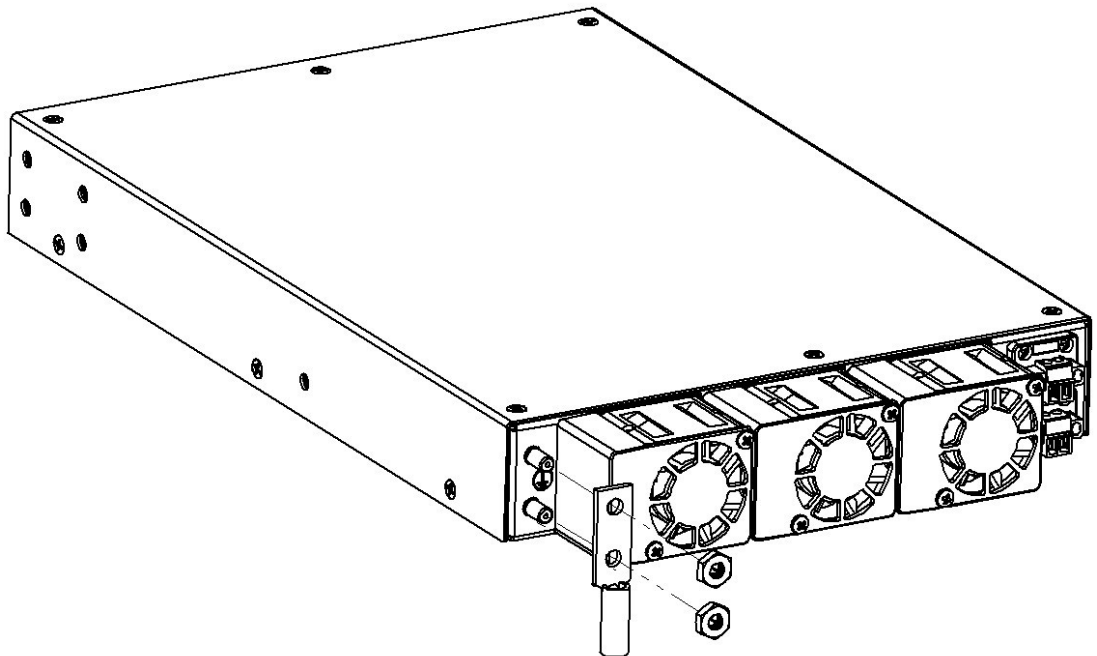
# Ground the Chassis

For safety reasons, connect the protective ground lug to a suitable grounding point before applying power, as shown in the following figure.



**Note** Applicable wire range: 2.5 to 16 mm<sup>2</sup> (14 to 6 AWG). Lug type: 2x Stud #10 Hole, 16 mm spacing

*Figure 5: Fasten the Ground Lug*



## Safety Warnings

Take note of the following warnings:



**Warning** **Statement 1101**—Connected To Grounded Outlet

In the Scandinavian countries (Denmark, Finland, Iceland, Norway, and Sweden) the appliance must be connected to a grounded outlet.

