



Cisco Provider Connectivity Assurance Sensor F100 Hardware Installation Guide

First Published: 2024-06-28

Americas Headquarters

Cisco Systems, Inc.
170 West Tasman Drive
San Jose, CA 95134-1706
USA
<http://www.cisco.com>
Tel: 408 526-4000
800 553-NETS (6387)
Fax: 408 527-0883

THE SPECIFICATIONS AND INFORMATION REGARDING THE PRODUCTS IN THIS MANUAL ARE SUBJECT TO CHANGE WITHOUT NOTICE. ALL STATEMENTS, INFORMATION, AND RECOMMENDATIONS IN THIS MANUAL ARE BELIEVED TO BE ACCURATE BUT ARE PRESENTED WITHOUT WARRANTY OF ANY KIND, EXPRESS OR IMPLIED. USERS MUST TAKE FULL RESPONSIBILITY FOR THEIR APPLICATION OF ANY PRODUCTS.

THE SOFTWARE LICENSE AND LIMITED WARRANTY FOR THE ACCOMPANYING PRODUCT ARE SET FORTH IN THE INFORMATION PACKET THAT SHIPPED WITH THE PRODUCT AND ARE INCORPORATED HEREIN BY THIS REFERENCE. IF YOU ARE UNABLE TO LOCATE THE SOFTWARE LICENSE OR LIMITED WARRANTY, CONTACT YOUR CISCO REPRESENTATIVE FOR A COPY.

The following information is for FCC compliance of Class A devices: This equipment has been tested and found to comply with the limits for a Class A digital device, pursuant to part 15 of the FCC rules. These limits are designed to provide reasonable protection against harmful interference when the equipment is operated in a commercial environment. This equipment generates, uses, and can radiate radio-frequency energy and, if not installed and used in accordance with the instruction manual, may cause harmful interference to radio communications. Operation of this equipment in a residential area is likely to cause harmful interference, in which case users will be required to correct the interference at their own expense.

The following information is for FCC compliance of Class B devices: This equipment has been tested and found to comply with the limits for a Class B digital device, pursuant to part 15 of the FCC rules. These limits are designed to provide reasonable protection against harmful interference in a residential installation. This equipment generates, uses and can radiate radio frequency energy and, if not installed and used in accordance with the instructions, may cause harmful interference to radio communications. However, there is no guarantee that interference will not occur in a particular installation. If the equipment causes interference to radio or television reception, which can be determined by turning the equipment off and on, users are encouraged to try to correct the interference by using one or more of the following measures:

- Reorient or relocate the receiving antenna.
- Increase the separation between the equipment and receiver.
- Connect the equipment into an outlet on a circuit different from that to which the receiver is connected.
- Consult the dealer or an experienced radio/TV technician for help.

Modifications to this product not authorized by Cisco could void the FCC approval and negate your authority to operate the product.

The Cisco implementation of TCP header compression is an adaptation of a program developed by the University of California, Berkeley (UCB) as part of UCB's public domain version of the UNIX operating system. All rights reserved. Copyright © 1981, Regents of the University of California.

NOTWITHSTANDING ANY OTHER WARRANTY HEREIN, ALL DOCUMENT FILES AND SOFTWARE OF THESE SUPPLIERS ARE PROVIDED "AS IS" WITH ALL FAULTS. CISCO AND THE ABOVE-NAMED SUPPLIERS DISCLAIM ALL WARRANTIES, EXPRESSED OR IMPLIED, INCLUDING, WITHOUT LIMITATION, THOSE OF MERCHANTABILITY, FITNESS FOR A PARTICULAR PURPOSE AND NON-INFRINGEMENT OR ARISING FROM A COURSE OF DEALING, USAGE, OR TRADE PRACTICE.

IN NO EVENT SHALL CISCO OR ITS SUPPLIERS BE LIABLE FOR ANY INDIRECT, SPECIAL, CONSEQUENTIAL, OR INCIDENTAL DAMAGES, INCLUDING, WITHOUT LIMITATION, LOST PROFITS OR LOSS OR DAMAGE TO DATA ARISING OUT OF THE USE OR INABILITY TO USE THIS MANUAL, EVEN IF CISCO OR ITS SUPPLIERS HAVE BEEN ADVISED OF THE POSSIBILITY OF SUCH DAMAGES.

Any Internet Protocol (IP) addresses and phone numbers used in this document are not intended to be actual addresses and phone numbers. Any examples, command display output, network topology diagrams, and other figures included in the document are shown for illustrative purposes only. Any use of actual IP addresses or phone numbers in illustrative content is unintentional and coincidental.

All printed copies and duplicate soft copies of this document are considered uncontrolled. See the current online version for the latest version.

Cisco has more than 200 offices worldwide. Addresses and phone numbers are listed on the Cisco website at www.cisco.com/go/offices.

Cisco and the Cisco logo are trademarks or registered trademarks of Cisco and/or its affiliates in the U.S. and other countries. To view a list of Cisco trademarks, go to this URL: <https://www.cisco.com/c/en/us/about/legal/trademarks.html>. Third-party trademarks mentioned are the property of their respective owners. The use of the word partner does not imply a partnership relationship between Cisco and any other company. (1721R)

© 2024 Cisco Systems, Inc. All rights reserved.



CONTENTS

CHAPTER 1

Overview 1

- Features 1
- Package Contents 3
- Serial Number Locations 3
- Front Panel 3
- Front Panel LEDs 5
- Rear Panel 7
- Power Supply 7
- Hardware Specifications 8
- Product ID Numbers 8
- Power Cord Specifications 8

CHAPTER 2

Installation Preparation 11

- Installation Warnings 11
- Maintain Safety with Electricity 13
- Network Equipment-Building System (NEBS) Statements 13
- Prevent ESD Damage 15
- Power Supply Considerations 15
- Rack Configuration Considerations 15
- Safety Recommendations 16
- Site Considerations 16
- Site Environment 16

CHAPTER 3

Rack-Mount the Chassis 17

- Unpack and Inspect the Chassis 17
- Desktop-Mount the Chassis 18

Wall-Mount the Chassis	18
19-Inch Rack-Mount the Chassis - Flush	20
19-Inch Rack-Mount the Chassis - Recessed	20
23-Inch Rack-Mount the Chassis - Flush	21
23-Inch Rack-Mount the Chassis - Recessed	22
Ground the Chassis	23

CHAPTER 4

Installation, Maintenance, and Upgrade	25
Power the Unit via the AC Power Supply	25
Power the Unit via the DC Power Supply	26
Connect to the Network	27
Remove and Replace the Fan	27
Replace the Fan	28
Optional Preventative Maintenance Fan Replacement	29



CHAPTER 1

Overview

- [Features, on page 1](#)
- [Package Contents, on page 3](#)
- [Serial Number Locations, on page 3](#)
- [Front Panel, on page 3](#)
- [Front Panel LEDs, on page 5](#)
- [Rear Panel, on page 7](#)
- [Power Supply, on page 7](#)
- [Hardware Specifications, on page 8](#)
- [Product ID Numbers, on page 8](#)
- [Power Cord Specifications, on page 8](#)

Features

The Cisco[®] Provider Connectivity Assurance Sensor F100 (formerly Accedian Skylight Flex 100 Performance Element) is a next-generation, multiport, 100 Gigabit Ethernet platform with ultra-low-latency packet forwarding and jitter.

Designed for high-bandwidth and high-availability applications requiring MEF-type service assurance, the Provider Connectivity Assurance Sensor F100 is optimized for scalable service delivery and high-precision, granular, real-time performance monitoring. It is an ideal edge, aggregation, or External Network-to-Network Interface (ENNI) unit for demanding high-bandwidth wireless backhaul, SLA-backed business services, Ethernet wholesale, and dark fiber termination applications.

The Assurance Sensor F100 provides all the tools to establish, validate, and monitor Layer 2 and Layer 3 services in a single unit. Zero-touch provisioning and IPv4/IPv6 management make these performance elements easy and secure to deploy and manage.

Fully integrated with the Cisco Provider Connectivity Assurance platform, it supports service delivery automation and scalable, real-time metrics collection and reporting—plus actionable insights delivery and machine learning for accelerated service rollout and improved operational efficiencies.

The Assurance Sensor F100 interoperates with other Provider Connectivity Assurance Sensors to deliver a scalable end-to-end and core-to-edge performance-assured networking solution tailored to your applications.

Figure 1: Cisco Provider Connectivity Assurance Sensor F100



The following table lists the features of the Assurance Sensor F100.

Table 1: Cisco Provider Connectivity Assurance Sensor F100 Features

Feature	Description
Form factor	1RU
Rack mount	Standard 19-inch (48.3 cm) or 23-inch (58.42 cm) rack
Airflow	Front to rear
Management port	Built-in One RJ-45 connector (10/100/1000 BASE-T)
USB port	One USB Mini-B console port (USB 2.0)
Network ports	Four QSFP28 connectors (100GBASE-R)
Auxiliary port	One SFP+ connector (10GBASE-R)
Serial console port	One RJ-45 serial connector (RS-232 or two dry contacts)
Fans	Four fans for front-to-rear cooling

The following table lists the regulation and standard compliance features of the Assurance Sensor F100.

Table 2: Regulation and Standard Compliance (Unique ID: NG100)

Feature	Description
Safety	IEC 62368-1, EN 62368-1, UL 62368-1, CSA C22.2 No. 62368-1, AS/NZS 62368.1, J62368-1, CEI EN 62368-1, DS/EN 62368-1, SASO-IEC-62368-1
EMC - Emission (Class A)	CISPR 32, IEC 61000-3-2, IEC 61000-3-3, EN 55032, EN 61000-3-2, EN 61000-3-3, 47 CFR Part 15 Subpart B, ICES-003, AS/NZS CISPR 32, VCCI-CISPR 32, KS C 9832
EMC - Immunity	CISPR 35, EN 55035, KS C 9835
Telco	NEBS Level-3: GR-63, GR-1089
Radio	ETSI EN 301 489-19, ETSI EN 303 413

Feature	Description
Enviro	RoHS: IEC 63000:2016,EN IEC 63000:2018

Package Contents

Package contents for the Cisco Provider Connectivity Assurance Sensor F100 include the following:

- Assurance Sensor F100 (1)
- 19-inch bracket kit (1)
- *Cisco Provider Connectivity Assurance Sensor F100*

This document contains URLs that point to the hardware installation guide, regulatory compliance and safety information guide, warranty, and licensing pages, and a QR code that points to the management center Documentation Portal.



Note The package can contain other ordering options.

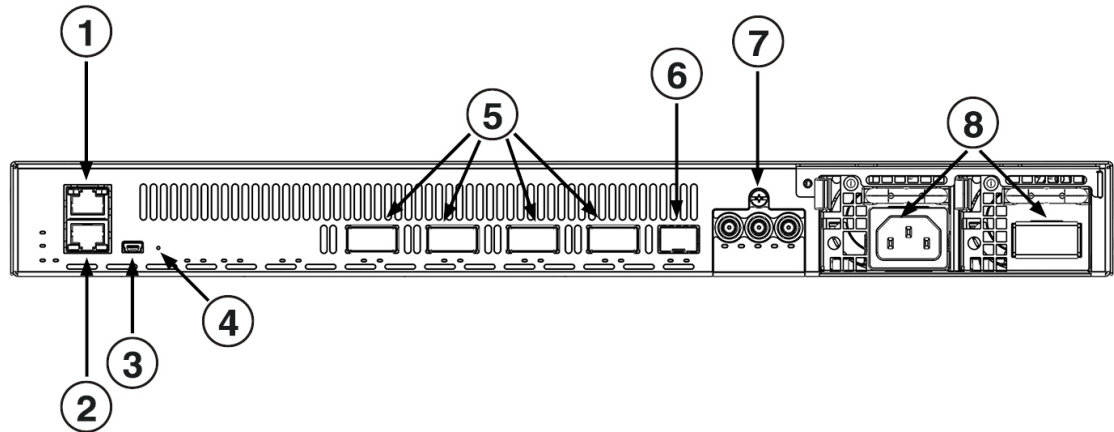
Serial Number Locations

The Serial Number (SN) and the Media Access Control (MAC) address are located at the bottom of the Assurance Sensor F100.

Front Panel

The following figure shows the front panel features of the Assurance Sensor F100. See [Front Panel LEDs, on page 5](#) for a description of the LEDs.

Figure 2: Front Panel



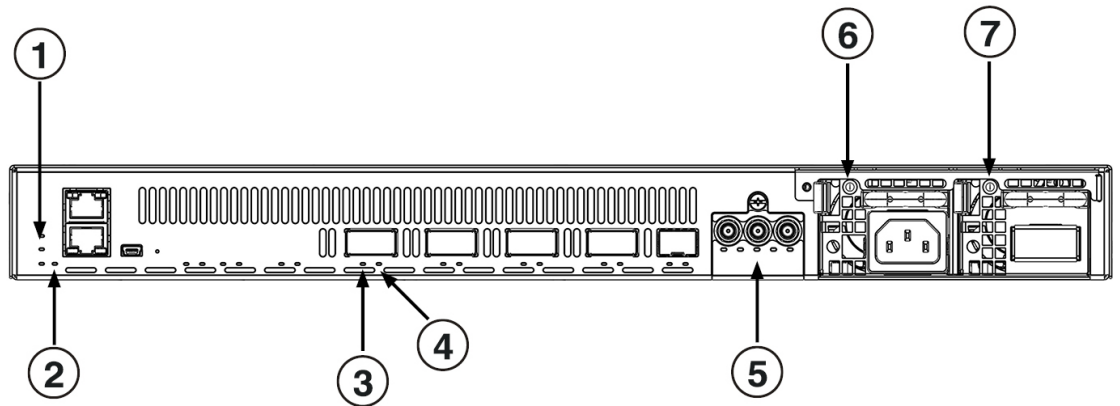
<p>1 Management port RJ-45 connector (10/100/1000 BASE-T)</p>	<p>2 Console / dry contacts RJ-45 serial connector (RS-232 or 2 dry contacts) Note Cannot be used at the same time. Caution The Dry Contacts Interface is strictly Safety Extra Low Voltage (SELV).</p> <ul style="list-style-type: none"> • PIN #1—Dry contact 1 • PIN #2—Not connected • PIN #3—RS-232 TX data • PIN #4—Ground • PIN #5—Ground • PIN #6—RS-232 RX data • PIN #7—Not connected • PIN #8—Dry contact 2
<p>3 Console port USB Mini-B port (USB 2.0)</p>	<p>4 RST System reset button Note Press the RST button for more than five seconds to reset the unit to factory defaults. Warning Service-affecting</p>
<p>5 Network ports Four QSFP28 connectors (100GBASE-R)</p>	<p>6 Auxiliary port SFP+ connector (10GBASE-R)</p>

<p>7</p>	<p>Synchronization module (optional)</p> <p>Warning Ensure the unit's power source(s) have been turned off before servicing. Installations where a unit with the GNSS may be exposed to voltage in excess of 10kV, additional measures such as external surge suppressor may be necessary.</p> <ul style="list-style-type: none"> • One SMA, GNSS antenna input • One SMA, sync IN • One SMA, sync OUT 	<p>8</p>	<p>Power modules</p> <p>Hot-swappable input power modules (AC or DC)</p>
-----------------	--	-----------------	--

Front Panel LEDs

The following figure shows the front panel LEDs and describes their states.

Figure 3: Front Panel LEDs and Their States



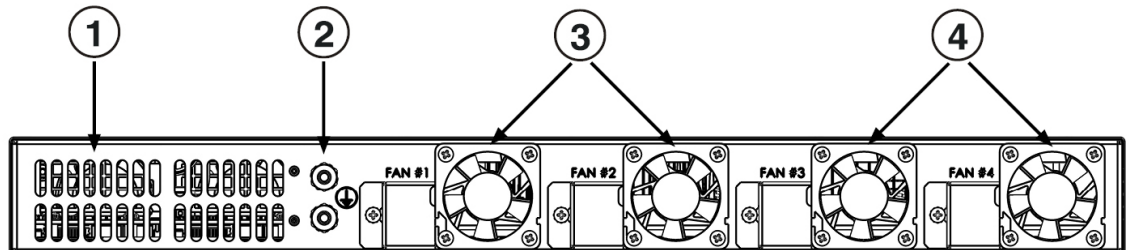
<p>1</p>	<p>MIN MAJ CRIT LEDs</p> <ul style="list-style-type: none"> • MIN Yellow—A minor alarm condition is present. • MAJ Red—A major alarm condition is present. • CRIT Red—A critical alarm condition is present. 	<p>2</p>	<p>Status LED</p> <ul style="list-style-type: none"> • Green—Normal operation. • Green, flashing—The unit is booting.
-----------------	---	-----------------	---

<p>3 Link LED</p> <ul style="list-style-type: none"> • Off—Link is inactive. • Green—Link is active. 	<p>4 Activity LED</p> <ul style="list-style-type: none"> • Off—No TX/RX activity. • Green, flashing—Port is receiving/transmitting data.
<p>5 Synchronization Module LEDs</p> <p>PWR</p> <ul style="list-style-type: none"> • Off—The device is unpowered. • Green—The device is powered. <p>ANT</p> <ul style="list-style-type: none"> • Green—GNSS is enabled and is locked on satellite. • Green, flashing—GNSS is enabled and searching for satellite. <p>SYNC IN</p> <ul style="list-style-type: none"> • Off—No synchronization input detected. • Green—Synchronization input detected. <p>SYNC OUT</p> <ul style="list-style-type: none"> • Off—Synchronization output deactivated. • Green—Synchronization output activated. <p>ALM</p> <ul style="list-style-type: none"> • Off—No synchronization module alarm condition. • Red—Synchronization module alarm condition. 	<p>6 AC Power Supply Unit LED</p> <ul style="list-style-type: none"> • Off—No AC power to all PSU. • 0.5 Hz Red, flashing—No AC power to this PSU only. • 1 Hz Green, flashing— AC present/only standby output on. • Green—Power supply AC output ON and OK. • Red—Power supply failure. • 0.5 Hz Red/green, flashing—Power supply warning.
<p>7 DC Power Supply Unit LED</p> <ul style="list-style-type: none"> • Off—No DC power to all PSU. • 0.5 Hz Red, flashing— No DC power to this PSU only. • 1 Hz Blue, flashing— AC present/only standby output on. • Blue—Power supply DC output ON and OK. • Red—Power supply failure. • 0.5 Hz Red/blue, flashing—Power supply warning. 	<p>—</p>

Rear Panel

The following figure shows the rear panel of the Assurance Sensor F100.

Figure 4: Rear Panel



1	Power supply airflow outtake Air is exhausted through the back of the power supply	2	Ground lugs Unit protective ground point
3	System fans Fans 1 and 2 locations	4	System fans Fans 3 and 4 locations

Power Supply

The following table lists the specifications for each power supply used in the Assurance Sensor F100.

Table 3: Power Specifications

Description	Specification
Input power ratings	AC input: 100 to 240 V rms, 2.5 to 1.0 A, 80 Plus Platinum DC input: V DC = 36 to 72 V DC, 6.5 to 3.25 A, Efficiency 80% (Min)@48 V
Power consumption	150 W _{Nom} , 230 W _{Max}
Optical port power ratings	QSFP: 5.0 W _{Max} per port SFP+: 2.0 W _{Max} per port

Hardware Specifications

The following table contains hardware specifications for the Assurance Sensor F100.

Dimensions (H x W x D)	1.74 x 16.8 x 13.83 inches (4.42 x 42.66 x 35.13 cm)
Weight	14.3 lb (6.5 kg)
Temperature	Operating: 32 to 122°F (0 to 50°C) Storage: -40 to 158°F (-40 to 70°C)
Humidity	Operating: 5 to 85% RH, noncondensing Storage: 5 to 95% RH, noncondensing
Altitude	Maximum: 6600 ft (2000 m), above sea level

Product ID Numbers

The following table lists the field-replaceable PID associated with the Assurance Sensor F100. If any internal components fail, you must get a return material authorization (RMA). See the [Cisco Returns Portal](#) for more information.

Table 4: Cisco Provider Connectivity Assurance Sensor F100 PID

PID	Description
SKY-F100-AC-DC	Provider Connectivity Assurance Sensor F100 Quad 100Gbe Ports (QSFP28), without PSU

Power Cord Specifications

Each AC power input requires a separate power cord. Power cords are available for connection to the Assurance Sensor F100.

If you do not order the optional power cord with the system, you are responsible for selecting the appropriate power cord for the product. Using an incompatible power cord with this product may result in electrical safety hazard.

PID	Description
SKY-PC-F-NA	Power Cord US/CA, NEMA 5-15P to C13, 10 A/125 V, Black, 1.8 m
SKY-PC-F-EUR	Power Cord EU, CEE 7/7 to C13, 10 A/250 V, Black, 2.5 m
SKY-PC-F-UK	Power Cord UK/SG, BS 1363A to C13, 10 A/250 V, Black, 2.5 m

PID	Description
SKY-PC-F-JPN	Power Cord JP, JIS 8303 to C13, 15 A/125 V, Black, 1.8 m
SKY-PC-F-IND	Power Cord IN, IS 1293 to C13, 10 A/250 V, Black, 2.0 m
SKY-PC-F-AUS	Power Cord AS/NZ, AS/NZS 4417 to C13, 10 A/250 V, Black, 2.5 m
SKY-PC-F-SWI	Power Cord SZ, SEV 1011 to C13, 10 A/250 V, Black, 2.5 m
SKY-PC-F-ITA	Power Cord IT, CEI 23-16 to C13, 10 A/250 V, Black, 2.5 m
SKY-PC-F-ISR	Power Cord IL, SI 32 to C13, 10 A/250 V, Black, 2.5 m
SKY-PC-F-TWN	Power Cord TW, NEMA 5-15P to C13, 10 A/125 V, Black, 1.8 m
SKY-PC-F-ARG	Power Cord AR, IRAM 2073:2009 to C13, 10 A/250 V, Black, 2.5 m
SKY-PC-F-BRZ	Power Cord BR, NBR 14136 to C13, 10 A/250 V, Black, 2.5 m
SKY-PC-F-CHN	Power Cord CN, GB 15934-2008 to C13, 10 A/250 V, Black, 2.5 m
SKY-PC-F-C14	Power Cord US/CA/AS/NZ/TW/CN, C14 to C13, 10 A/125 V, Black, 2.0 m



Note Only the approved power cords for the Assurance Sensor F100 are supported.



CHAPTER 2

Installation Preparation

- [Installation Warnings](#), on page 11
- [Maintain Safety with Electricity](#), on page 13
- [Network Equipment-Building System \(NEBS\) Statements](#), on page 13
- [Prevent ESD Damage](#), on page 15
- [Power Supply Considerations](#), on page 15
- [Rack Configuration Considerations](#), on page 15
- [Safety Recommendations](#), on page 16
- [Site Considerations](#), on page 16
- [Site Environment](#), on page 16

Installation Warnings

Read the [Regulatory Compliance and Safety Information](#) document before installing the Provider Connectivity Assurance Sensor F100.



Caution Do *not* open the appliance except under direction from TAC.

Take note of the following warnings:



Warning **Statement 1071**—Warning Definition

IMPORTANT SAFETY INSTRUCTIONS

Before you work on any equipment, be aware of the hazards involved with electrical circuitry and be familiar with standard practices for preventing accidents. Read the installation instructions before using, installing, or connecting the system to the power source. Use the statement number at the beginning of each warning statement to locate its translation in the translated safety warnings for this device.

SAVE THESE INSTRUCTIONS



**Note** **Statement 407**—Japanese Safety Instruction

You are strongly advised to read the safety instruction before using the product.

<https://www.cisco.com/web/JP/techdoc/pldoc/pldoc.html>

When installing the product, use the provided or designated connection cables/power cables/AC adapters.

〈製品仕様における安全上の注意〉
www.cisco.com/web/JP/techdoc/index.html

接続ケーブル、電源コードセット、ACアダプタ、バッテリーなどの部品は、必ず添付品または指定品をご使用ください。添付品・指定品以外をご使用になると故障や動作不良、火災の原因となります。また、電源コードセットは弊社が指定する製品以外の電気機器には使用できないためご注意ください。

**Warning** **Statement 1005**—Circuit Breaker

This product relies on the building's installation for short-circuit (overcurrent) protection. To reduce risk of electric shock or fire, ensure that the protective device is rated not greater than: AC 20 A/DC 40 A

**Warning** **Statement 1073**—No User-Serviceable Parts

There are no serviceable parts inside. To avoid risk of electric shock, do not open.

**Warning** **Statement 1074**—Comply with Local and National Electrical Codes

To reduce risk of electric shock or fire, installation of the equipment must comply with local and national electrical codes.

**Warning** **Statement 1089**—Instructed and Skilled Person Definitions

An instructed person is someone who has been instructed and trained by a skilled person and takes the necessary precautions when working with equipment.

A skilled person or qualified personnel is someone who has training or experience in the equipment technology and understands potential hazards when working with equipment.

There are no serviceable parts inside. To avoid risk of electric shock, do not open.

**Warning** **Statement 1091**—Installation by an Instructed Person

Only an instructed person or skilled person should be allowed to install, replace, or service this equipment. See statement 1089 for the definition of an instructed or skilled person.

There are no serviceable parts inside. To avoid risk of electric shock, do not open.



Warning **Statement 9001**—Product Disposal

Ultimate disposal of this product should be handled according to all national laws and regulations.

Maintain Safety with Electricity



Warning Before working on a chassis, be sure the power cord is unplugged.

Read the [Regulatory Compliance and Safety Information](#) document before installing the chassis.

Follow these guidelines when working on equipment powered by electricity:

- Do not work alone if potentially hazardous conditions exist anywhere in your work space.
- Never assume that power is disconnected; always check.
- Look carefully for possible hazards in your work area, such as moist floors, ungrounded power extension cables, frayed power cords, and missing safety grounds.
- Use the chassis within its marked electrical ratings and product usage instructions.
- The chassis is equipped with an AC-input power supply, which is shipped with a three-wire electrical cord with a grounding-type plug that fits into a grounding-type power outlet only. Do not circumvent this safety feature. Equipment grounding should comply with local and national electrical codes.

Network Equipment-Building System (NEBS) Statements

NEBS describes the environment of a typical United States Regional Bell Operating Company (RBOC) central office. NEBS is the most common set of safety, spatial, and environmental design standards applied to telecommunications equipment in the United States. It is not a legal or regulatory requirement, but rather an industry requirement.

The following NEBS statements apply to the Assurance Sensor F100:



Warning **Statement 7003**—Shielded Cable Requirements for Intrabuilding Lightning Surge

The intrabuilding port(s) of the equipment or subassembly must use shielded intrabuilding cabling/wiring that is grounded at both ends.

The following port(s) are considered intrabuilding ports on this equipment:



Warning Statement 7005—Intrabuilding Lightning Surge and AC Power Fault

The intrabuilding port(s) of the equipment or subassembly is suitable for connection to intrabuilding or unexposed wiring or cabling only. The intrabuilding port(s) of the equipment or subassembly **MUST NOT** be metallically connected to interfaces that connect to the OSP or its wiring for more than 6 meters (approximately 20 feet). These interfaces are designed for use as intrabuilding interfaces only (Type 2, 4, or 4a ports as described in GR-1089) and require isolation from the exposed OSP cabling. The addition of primary protectors is not sufficient protection in order to connect these interfaces metallically to an OSP wiring system.

The following ports are considered intrabuilding ports on the equipment:



Warning Statement 7012—Equipment Interfacing with AC Power Ports

Connect this equipment to AC mains that are provided with a surge protective device (SPD) at the service equipment that complies with NFPA 70, the National Electrical Code (NEC).



Note Statement 7013—Equipment Grounding Systems—Common Bonding Network (CBN)

This equipment is suitable for installations using the CBN.



Note Statement 7016—Battery Return Conductor

The battery return conductor of this equipment shall be treated as DC-1.



Note Statement 7017—Minimum Steady State DC Input Voltage

This equipment operates without degradation at a minimum steady state voltage of -40.5 VDC. The nominal DC input voltage rating is -48 VDC.



Note Statement 8015—Installation Location Network Telecommunications Facilities

This equipment is suitable for installation in network telecommunications facilities.



Note Statement 8016—Installation Location Where the National Electric Code (NEC) Applies

This equipment is suitable for installation in locations where the NEC applies.

Prevent ESD Damage

ESD occurs when electronic components are improperly handled, and it can damage equipment and impair electrical circuitry, which can result in intermittent or complete failure of your equipment.

Always follow ESD-prevention procedures when removing and replacing components. Ensure that the chassis is electrically connected to an earth ground. Wear an ESD-preventive wrist strap, ensuring that it makes good skin contact. Connect the grounding clip to an unpainted surface of the chassis frame to safely ground ESD voltages. To properly guard against ESD damage and shocks, the wrist strap and cord must operate effectively. If no wrist strap is available, ground yourself by touching the metal part of the chassis.

For safety, periodically check the resistance value of the antistatic strap, which should be between one and 10 megohms.

Power Supply Considerations

When installing the chassis, consider the following:

- Check the power at the site before installing the chassis to ensure that it is free of spikes and noise. Install a power conditioner, if necessary, to ensure proper voltages and power levels in the appliance-input voltage.
- Install proper grounding for the site to avoid damage from lightning and power surges.
- The chassis does not have a user-selectable operating range. Refer to the label on the chassis for the correct appliance input-power requirement.
- Several styles of AC-input power supply cords are available for the chassis; make sure that you have the correct style for your site.
- If you are using dual redundant (1+1) power supplies, we recommend that you use independent electrical circuits for each power supply.
- Install an uninterruptible power source for your site, if possible.

Rack Configuration Considerations

Consider the following when planning a rack configuration:

- Standard 19-inch (48.3 cm) 4-post EIA rack with mounting rails that conform to English universal hole spacing according to section 1 of ANSI/EIA-310-D-1992.
- The rack-mounting posts need to be 2 to 3.5 mm thick to work with the slide rail rack mounting.
- If you are mounting a chassis in an open rack, make sure that the rack frame does not block the intake or exhaust ports.
- If your rack includes closing front and rear doors, the doors must have 65 percent open perforated area evenly distributed from top to bottom to permit adequate airflow.
- Be sure enclosed racks have adequate ventilation. Make sure that the rack is not overly congested as each chassis generates heat. An enclosed rack should have louvered sides and a fan to provide cooling air.

- In an enclosed rack with a ventilation fan in the top, heat generated by equipment near the bottom of the rack can be drawn upward and into the intake ports of the equipment above it in the rack. Ensure that you provide adequate ventilation for equipment at the bottom of the rack.
- Baffles can help to isolate exhaust air from intake air, which also helps to draw cooling air through the chassis. The best placement of the baffles depends on the airflow patterns in the rack. Experiment with different arrangements to position the baffles effectively.

Safety Recommendations

Observe these safety guidelines:

- Keep the area clear and dust free before, during, and after installation.
- Keep tools away from walkways, where you and others might trip over them.
- Do not wear loose clothing or jewelry, such as earrings, bracelets, or chains that could get caught in the chassis.
- Wear safety glasses if you are working under any conditions that might be hazardous to your eyes.
- Do not perform any action that creates a potential hazard to people or makes the equipment unsafe.
- Never attempt to lift an object that is too heavy for one person.

Site Considerations

Considering the following helps you plan an acceptable operating environment for the chassis, and avoid environmentally-caused equipment failures.

- Electrical equipment generates heat. Ambient air temperature might not be adequate to cool equipment to acceptable operating temperatures without adequate circulation. Make sure that the room in which you operate your system has adequate air circulation.
- Always follow ESD prevention procedures to avoid damage to equipment. Damage from static discharge can cause immediate or intermittent equipment failure.

Site Environment

See [Hardware Specifications, on page 8](#) for information about physical specifications.

To avoid equipment failures and reduce the possibility of environmentally caused shutdowns, plan the site layout and equipment locations carefully. If you are currently experiencing shutdowns or unusually high error rates with your existing equipment, these considerations may help you isolate the cause of failures and prevent future problems.



CHAPTER 3

Rack-Mount the Chassis

- [Unpack and Inspect the Chassis, on page 17](#)
- [Desktop-Mount the Chassis, on page 18](#)
- [Wall-Mount the Chassis, on page 18](#)
- [19-Inch Rack-Mount the Chassis - Flush, on page 20](#)
- [19-Inch Rack-Mount the Chassis - Recessed, on page 20](#)
- [23-Inch Rack-Mount the Chassis - Flush, on page 21](#)
- [23-Inch Rack-Mount the Chassis - Recessed, on page 22](#)
- [Ground the Chassis, on page 23](#)

Unpack and Inspect the Chassis



Note The chassis is thoroughly inspected before shipment. If any damage occurred during transportation or any items are missing, contact your customer service representative immediately. Keep the shipping container in case you need to send the chassis back due to damage.

See [Package Contents, on page 3](#) for a list of what shipped with the chassis.



Note Mounting kits are ordered separately.



Warning You must install the unit in a restricted access location in the following cases:

- If you are using a DC power connection and the ambient temperature is more than 50°C.
- If you are using a centralized DC power connection.

Step 1 Remove the chassis from its cardboard container and save all packaging material.

Step 2 Compare the shipment to the equipment list provided by your customer service representative. Verify that you have all items.

Step 3 Check for damage and report any discrepancies or damage to your customer service representative. Have the following information ready:

- Invoice number of shipper (see the packing slip)
- Model and serial number of the damaged unit
- Description of damage
- Effect of damage on the installation

Desktop-Mount the Chassis

Attach the included rubber feet to the bottom of the unit for added stability when placing on a desktop or other flat surface.

Ensure that the fan airflow is not blocked by any obstacles.



Caution Do not stack one chassis on top of another chassis. If you stack the units, they overheat, which causes the units to power cycle.

Wall-Mount the Chassis

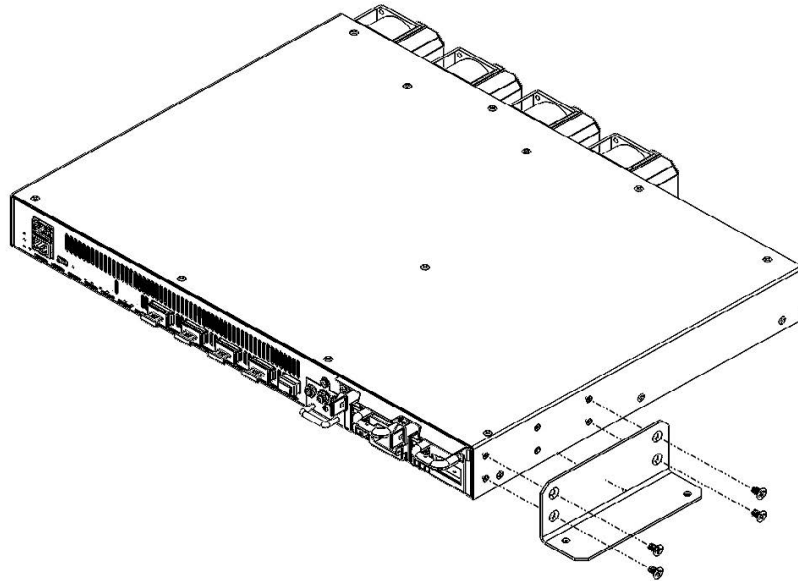
When mounting a unit on a wall, ensure that:

- The support surface and the fasteners you use must support at least 57 lb (26 kg).
- Cable pull (accidental or otherwise) does not exceed the 4.4 lb (2 kg).

Follow these steps to mount your chassis on a wall.

Step 1 Using a Philips screwdriver, align the Adapter Wallmount Kit brackets with the holes on the side of the unit and attach with four flat head screws provided.

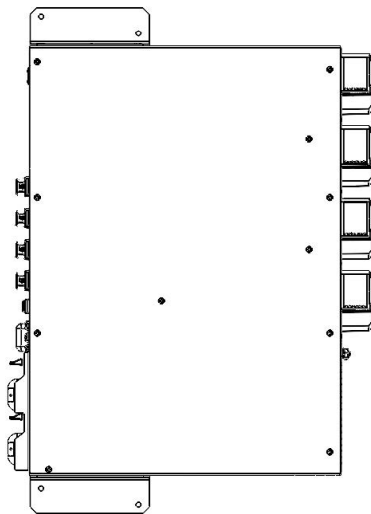
Figure 5: Align and Attach the Adapter Wallmount Kit



Step 2 Secure to the wall using the screws provided.

Warning Ensure to install the unit on the wall in the position shown below to ensure proper ventilation of the unit.

Figure 6: Wall Installation Position



19-Inch Rack-Mount the Chassis - Flush

Safety Warnings

Take note of the following warning:

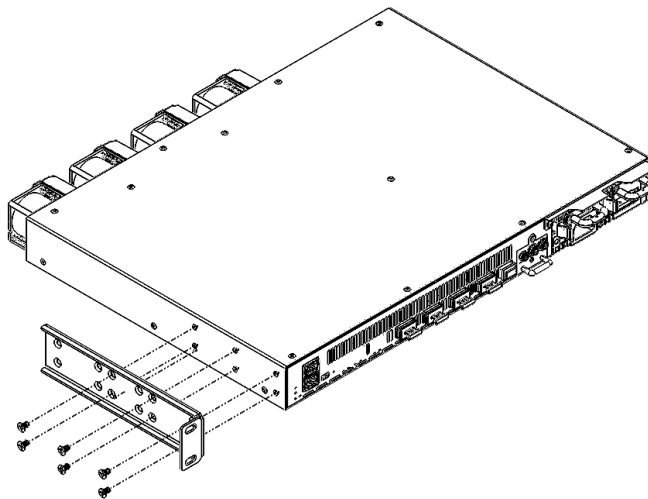


Warning

To conform to the NEBS Seismic Zone 4 requirements, the bracket must be secured, using screws specified by the rack manufacturer, to a NEBS Seismic Zone 4 compliant rack. Such screws are not provided with the bracket kit.

Step 1 Position the L-bracket as shown in the figure below.

Figure 7: 19-Inch Rack Flush Mount



Step 2 Align the bracket with the appropriate holes.

Step 3 Attach the bracket with six flat head screws.

Step 4 Secure to the rack using pan headscrews.

19-Inch Rack-Mount the Chassis - Recessed

Safety Warnings

Take note of the following warning:

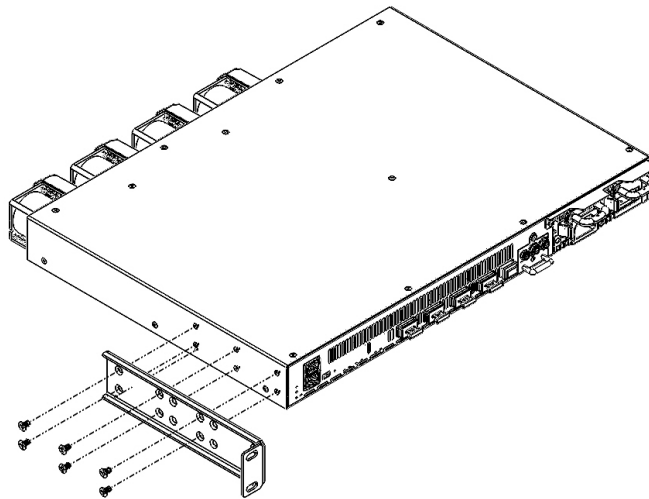
**Warning**

To conform to the NEBS Seismic Zone 4 requirements, the bracket must be secured, using screws specified by the rack manufacturer, to a NEBS Seismic Zone 4 compliant rack. Such screws are not provided with the bracket kit.

Step 1

Position the L-bracket as shown in the figure below.

Figure 8: 19-Inch Rack Recessed Mount



Step 2 Align the bracket with the appropriate holes.

Step 3 Attach the bracket with six flat head screws.

Step 4 Secure to the rack using pan headscrews.

23-Inch Rack-Mount the Chassis - Flush

Safety Warnings

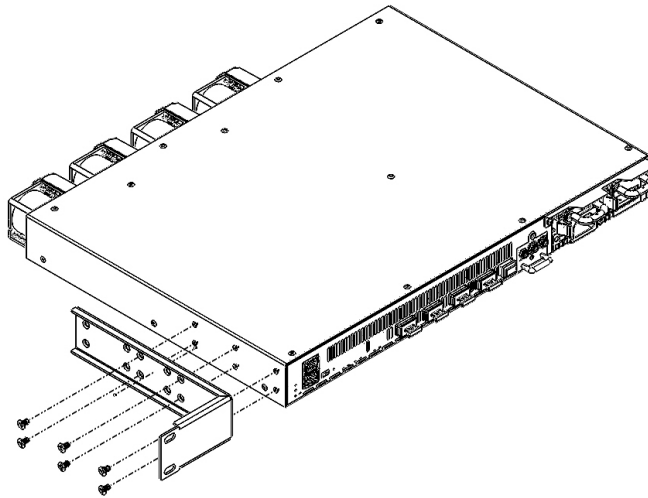
Take note of the following warning:

**Warning**

To conform to the NEBS Seismic Zone 4 requirements, the bracket must be secured, using screws specified by the rack manufacturer, to a NEBS Seismic Zone 4 compliant rack. Such screws are not provided with the bracket kit.

Step 1 Position the L-bracket as shown in the figure below.

Figure 9: 23-Inch Rack Flush Mount



Step 2 Align the bracket with the appropriate holes.

Step 3 Attach the bracket with six flat head screws.

Step 4 Secure to the rack using pan headscrews.

23-Inch Rack-Mount the Chassis - Recessed

Safety Warnings

Take note of the following warning:

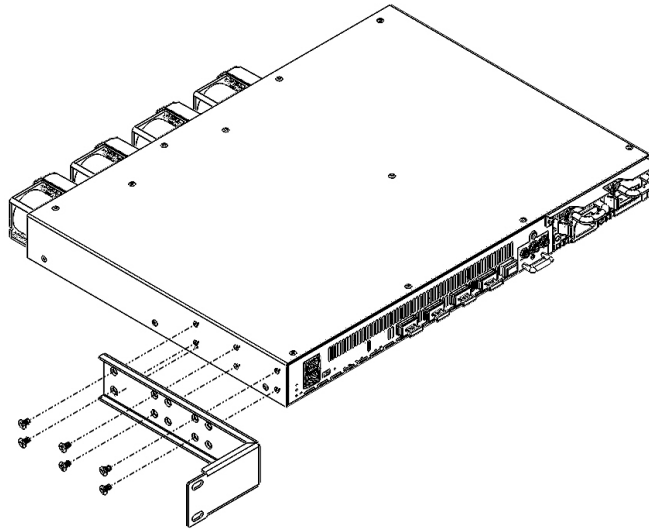


Warning

To conform to the NEBS Seismic Zone 4 requirements, the bracket must be secured, using screws specified by the rack manufacturer, to a NEBS Seismic Zone 4 compliant rack. Such screws are not provided with the bracket kit.

Step 1 Position the L-bracket as shown in the figure below.

Figure 10: 23-Inch Rack Recessed Mount



- Step 2** Align the bracket with the appropriate holes.
- Step 3** Attach the bracket with six flat head screws.
- Step 4** Secure to the rack using pan headscrews.

Ground the Chassis

For safety reasons, connect the protective ground lug to a suitable grounding point before applying power, as shown in the following figure.

Safety Warnings

Take note of the following warnings:



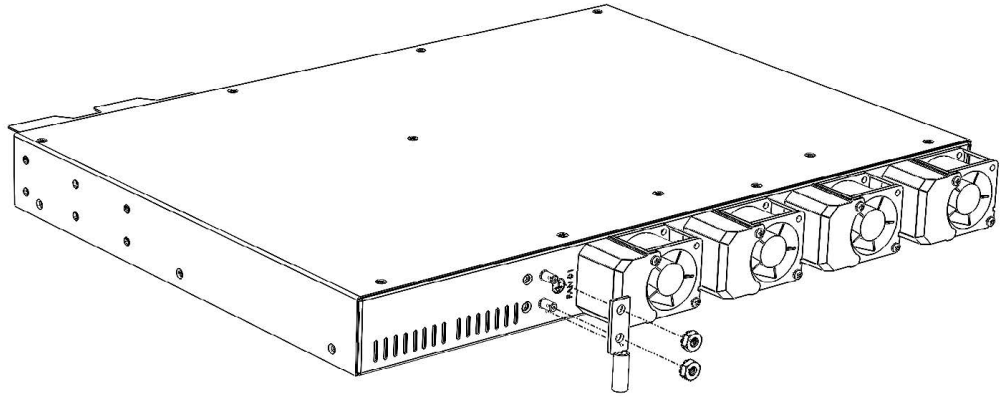
Warning **Statement 1101**—Connected To Grounded Outlet

In the Scandinavian countries (Denmark, Finland, Iceland, Norway, and Sweden) the appliance must be connected to a grounded outlet.



Note Applicable wire range: 2.5 to 16 mm² (14 to 6 AWG). Lug Type: 2 Stud #10 Hole, 16 mm spacing.

Figure 11: Fasten the Ground Lug





CHAPTER 4

Installation, Maintenance, and Upgrade

- [Power the Unit via the AC Power Supply, on page 25](#)
- [Power the Unit via the DC Power Supply, on page 26](#)
- [Connect to the Network, on page 27](#)
- [Remove and Replace the Fan, on page 27](#)

Power the Unit via the AC Power Supply

Safety Warnings

Take note of the following warning:



Warning

Ensure the unit's power source(s) have been turned OFF before servicing.



Note

This unit is designed for Common Bonding Network (CBN) installations only.

This unit is suitable for installation in network telecommunication facilities and where the National Electrical Code (NEC) applies.

To power the unit:

Before you begin

- Make sure that the chassis ground is connected on the chassis before you begin installing the AC power supply. See [Ground the Chassis, on page 23](#) for the procedure.



Note

Powering Options are ordered separately.

Step 1 Connect the AC plug(s) to the AC appliance coupler.

Step 2 Plug the power cord into a suitable power outlet.

Step 3 Secure the power cord through the retainer clip.

Warning The AC plug must be connected to a properly grounded AC outlet.

Power the Unit via the DC Power Supply

Safety Warnings

Take note of the following warnings:



Warning Ensure the unit's power source(s) have been turned OFF before servicing.

An approved external power supply switch or circuit breaker must be installed in the supply lines and be readily accessible to act as a disconnect device. The switch or circuit breaker must disconnect all poles simultaneously and be rated 20 A max.

Connect the protective earthing terminal(s) on the power supplie(s) to the same protective earthing point as used to ground the unit.

DC PSU must be connected to ES2 power source only (maximum voltage of 72 V DC).

The DC Battery Return (BR) input terminal(s) of the unit are not connected to the equipment frame or grounding means of the equipment and must be configured as isolated DC Return (DC-I) in compliance with GR-1089-CORE requirements.



Note This unit is designed for Common Bonding Network (CBN) installations only.

This unit is suitable for installation in network telecommunication facilities and where the National Electrical Code (NEC) applies.

To power the unit:

Before you begin

- Make sure that the chassis ground is connected on the chassis before you begin installing the DC power supply. See [Ground the Chassis, on page 23](#) for the procedure.

Step 1 Establish the proper connections between the wires and the power sources.

Step 2 Connect wires to the terminal block connector of the power supply.

Note Applicable wire range: 0.75 to 2.5 mm² (18 to 14 AWG).

Connect to the Network

Establish the Ethernet connections to the unit by plugging the appropriate media types to the proper ports of the unit (see the numbered diagram of the front panel).



Note For more information, refer to the Cisco Provider Connectivity Assurance Sensor F100 User Material.

Remove and Replace the Fan

This Method of Procedure describes how to replace a fan in the event of a fan failure.

If a fan failure is reported, it is recommended to plan for its replacement within seven (7) days. Moreover, as a preventative measure, it is recommended to replace **all** fans in the event of a failure.

The alarm must be ignored while the fan is being replaced. It is therefore recommended this procedure be performed during a proper maintenance window.



Caution Removing both dual fan modules exposes the chassis to no airflow. The chassis operates for 30 seconds after either one or both modules are removed. All modules must be reinserted within 30 seconds to avoid overheating the chassis. If you wait longer than 30 seconds, the chassis may power off automatically to prevent damage to components. The chassis does not power up and boot properly if the dual fan modules are missing.



Caution The fans must be replaced one at a time.



Note The replacement of the fans should be carefully planned, as the procedure must be completed within 15 minutes to reduce the thermal impact on the unit.

Safety Warnings

The following are safety guidelines that you must follow for personal safety and to operate the units correctly. All personnel working directly on the units must be trained, authorized and qualified to perform the tasks described herein. You must read and follow these guidelines before you begin.

- Power to the unit remains on throughout this process.
- To avoid personal injury, equipment damage and/or service interruptions, keep your fingers away from the fan's moving parts.
- This equipment is sensitive to electrostatic discharge (ESD). When handling, ensure you wear a properly functioning heel grounder and/or an anti-static wrist strap or another personal-grounding device.
- Incorrect handling may void warranty.

Take note of the following warnings:



Warning Statement 1073—No User-Serviceable Parts

There are no serviceable parts inside. To avoid risk of electric shock, do not open.



Warning Statement 1093—Avoid Sharp Edges

Risk of personal injury. Avoid sharp edges when installing or removing replaceable units.

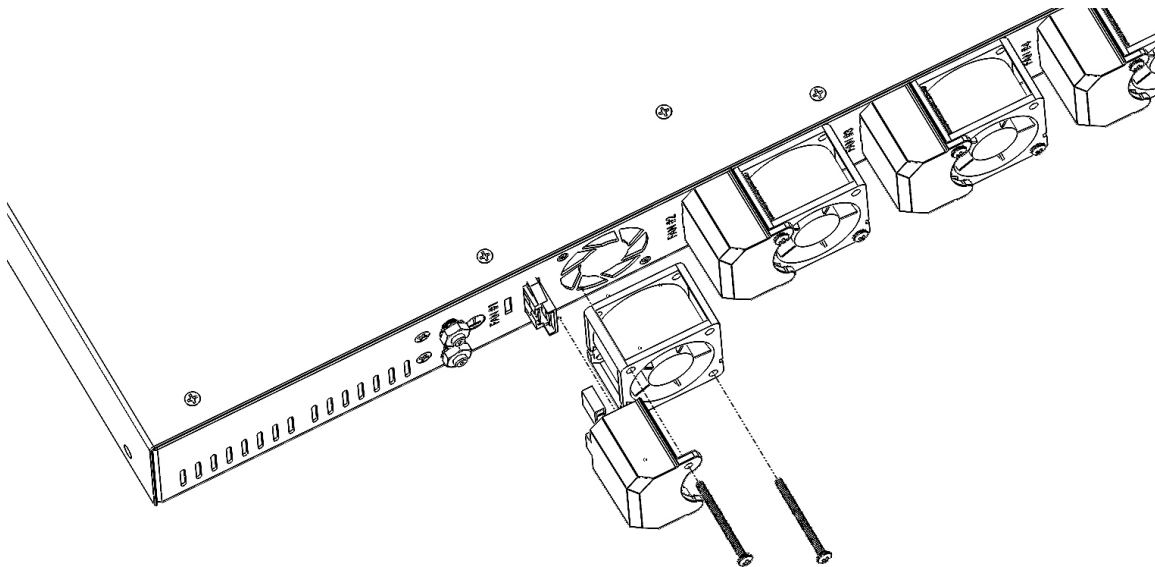


Replace the Fan

To replace the fan:

- Step 1** Identify which fan on the unit has malfunctioned.
- Step 2** Remove the screw that holds the fan cable cover in place, then remove the fan cable cover.
- Step 3** Depress the connector latch and disconnect the fan cable.
- Step 4** Remove the second screw that is holding the fan to the unit's chassis and remove the fan.

Figure 12: Remove the Fan



- Step 5** Put the new fan in place by keeping the same orientation as the original one.
 - Step 6** Secure the new fan to the chassis by replacing the second screw.
 - Step 7** Reconnect the fan cable. Ensure that connectors are properly latched together.
 - Step 8** Reinstall the fan cable cover and secure it in place by using the first screw.
 - Step 9** Ensure that the fan assembly is fully functional.
 - Step 10** (Optional) To replace the other fans as a preventative measure, continue with [Optional Preventative Maintenance Fan Replacement](#) , on page 29.
-

Optional Preventative Maintenance Fan Replacement

To perform an optional fan preventive maintenance:

- Step 1** Remove the screw that holds the fan cable cover in place, then remove the fan cable cover.
 - Step 2** Depress the connector latch and disconnect the fan cable.
 - Step 3** Remove the second screw that is holding the fan to the unit's chassis and remove the fan.
 - Step 4** Put the new fan in place by keeping the same orientation as the original one.
 - Step 5** Secure the new fan to the chassis by replacing the second screw.
 - Step 6** Reconnect the fan cable. Ensure that connectors are properly latched together.
 - Step 7** Reinstall the fan cable cover and secure it in place by using the first screw.
 - Step 8** Ensure that the fan assembly is fully functional.
-

