

Get to Know the WAP361 Wireless-AC N Dual Radio Wall Plate Access Point with PoE



Introduction

The WAP361 Wireless-AC/N Dual Radio Wall Plate Access Point with PoE uses concurrent dual-band radio for improved coverage and user capacity. Gigabit Ethernet LAN interfaces with Power over Ethernet (PoE) facilitate flexible installation and reduce cabling and wiring costs.

To provide highly secure guest access to visitors and other users, WAP361 supports a captive portal with multiple authentication options and the ability to configure rights, roles, and bandwidth. Configure a cluster of WAPs for seamless roaming within a campus and manage them through a single IP address.

Product Features

- Concurrent dual-band radio support up to 1.2 Gbps on both radios to make the most of capacity and coverage
- Single Point Setup, a controller-less technology, simplifies the deployment and management of multiple access points without requiring additional hardware
- Five Gigabit Ethernet Local Area Network (LAN) interfaces can enable a high-speed uplink to the wired network and also link aggregation support to increase the overall bandwidth between the two ports
- A captive portal support facilitates highly secure, customized guest access with multiple rights and roles
- Simple installation through a Setup Wizard and an intuitive web-based configuration facilitate fast, simple deployment, and setup in minutes
- Support for Power over Ethernet (POE) allows for easy installation without expensive additional wiring
- Multiple internal antennas
- Designed to be mounted on a wall and junction boxes in a vertical orientation with an additional security screw on top.
- Intelligent Quality of Service (QoS) prioritizes network traffic to help keep critical network applications running at top performance
- Support for IPv6 lets you deploy future networking applications and operating systems without costly upgrades.

Package Contents



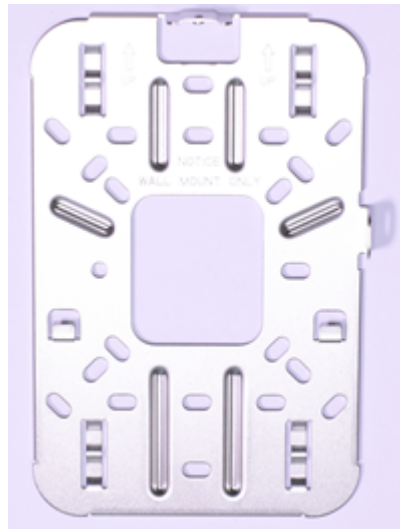
a)



b)



c)



d)



e)

- a) WAP361 Wireless-AC/N Dual Radio Wall Plate Access Point with PoE
- b) Ethernet cable
- c) Quick Start Guide
- d) Wall mount bracket
- e) Wall mounting kit

Minimum Requirements

- A switch or router that has PoE support, PoE injector, or AC power adapter
- Java-enabled web browser for the web-based configuration

Default Settings

Parameter	Default Value
Username	cisco
Password	cisco
LAN IP Address	192.168.1.1
Fallback LAN IP	192.168.1.245
Subnetwork Mask	255.255.255.0

Technical Details

Product Diagram

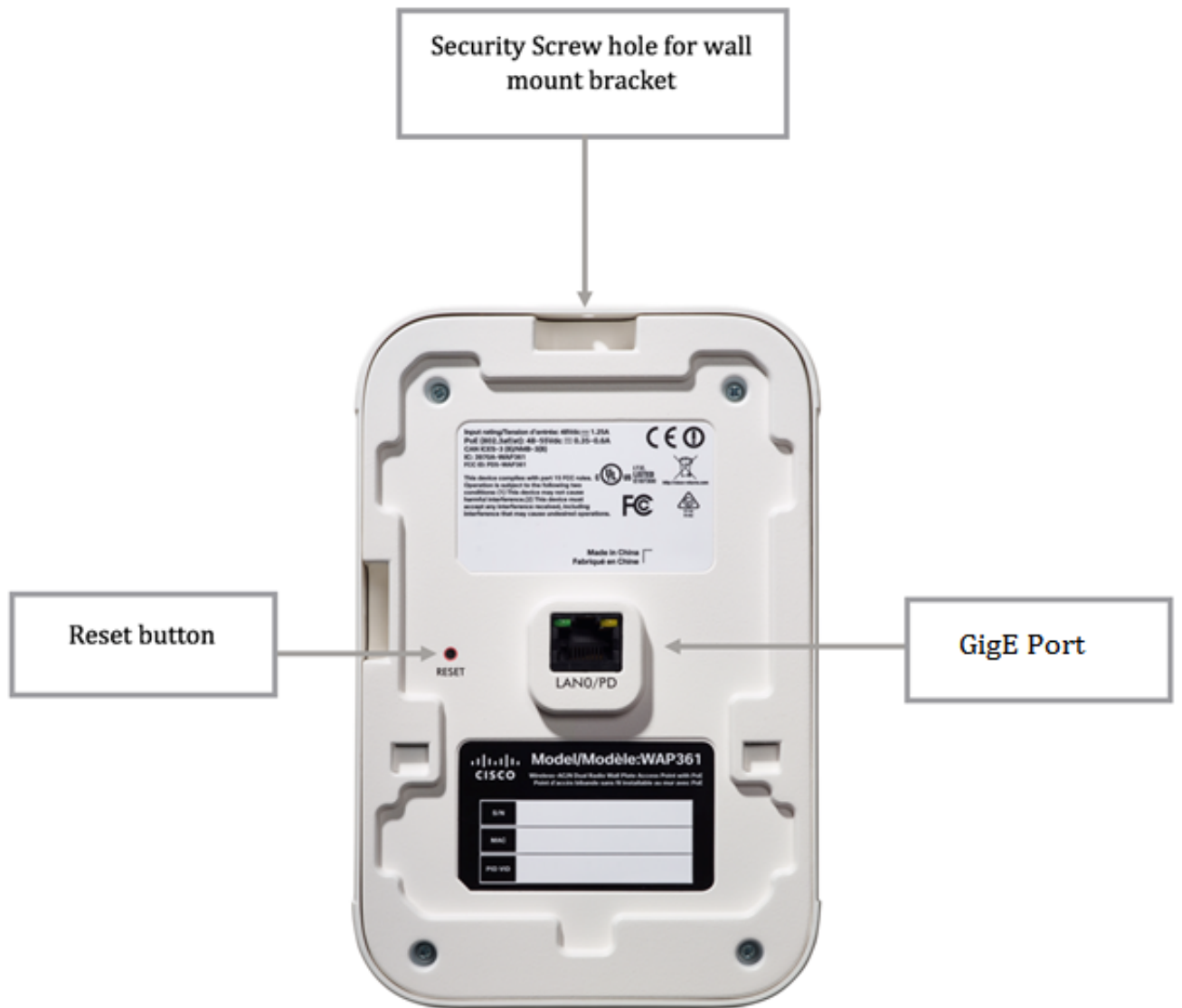
Front and Right Side Panel View

The front panel shows the Cisco logo and the Multi-function LED and on the right side panel, the Kensington lock slot and the 48VDC adapter port are located.



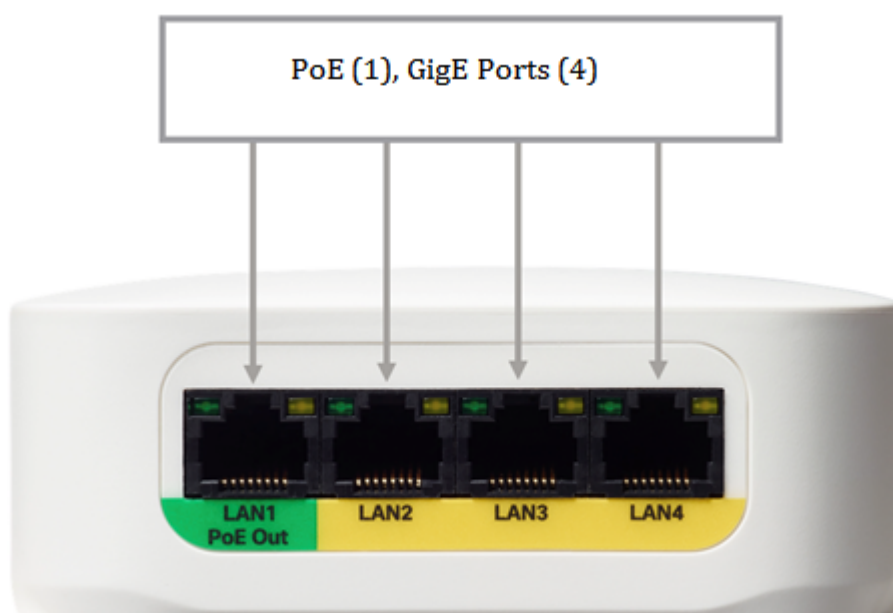
Back Panel View

At the back panel, the sticker showing some information about the device such as the exact model number with the device description, the power specifications, the serial number, the MAC address, and other vital information can be seen. The Reset button and one out of the five Gigabit Ethernet (GE) ports are also located at the back.



Bottom Panel View

The bottom panel shows the four Ethernet ports, one PoE port, and four out of the five Gigabit Ethernet Ports.



Multifunction LED



This LED indicates the status of the device depending on what state it is in.

Function	LED Name	LED Behavior
Multifunction System LED	Power	<p>Off</p> <p>The WAP361 is out of power</p> <p>Blue</p> <p>Solid – At least one wireless client is connected to the WAP.</p> <p>Blinking – Firmware upgrade is in process</p> <p>Green</p> <p>Solid – No wireless clients are connected</p> <p>Blinking – WAP361 is booting</p> <p>Red</p> <p>Solid – WAP361 fails to boot with both firmware images</p>
LINK/ACT LED	LINK/ACT LED	<p>Located on the left of the port. The light goes steady when a link between the corresponding port and other device is detected. The light flashes when the port is passing traffic.</p>

PoE LED	PoE LED	(Amber) Located on the right of the port. The light goes steady when power is being supplied to a device attached to the corresponding port.
---------	---------	---

Note: To know more about the product and hardware specifications of the WAP361 Wireless-AC/N Dual Radio Wall Plate Access Point with PoE, click [here](#).

Related Contents:

- [WAP361 Indoor Mounting Options](#)
- [Wall Mount the WAP361 Wireless-ACN Dual Radio Wall Plate Access Point with PoE](#)
- [Configure LED Display on WAP150 and WAP361](#)
- [Configure Basic Radio Settings on WAP150 and WAP361](#)
- [Configure Advanced Radio Settings on WAP361](#)
- [Enable Band Steer on a Wireless Access Point](#)
- [Configure General SNMP Settings on the WAP361 and WAP150](#)