

Contents

[Introduction](#)

[Prerequisites](#)

[Requirements](#)

[Components Used](#)

[Conventions](#)

[Background Information](#)

[UCS with DAS Earlier than Version 2.1](#)

[UCS with DAS in Version 2.1](#)

[Configure](#)

[Configure Direct Attached Storage](#)

[Configure FI in FC Switch Mode](#)

[Create Required VSAN](#)

[Set the Port Role in UCS](#)

[Confirm StoragePort WWPN Is Logged in to the Fabric](#)

[Configure FC Zoning](#)

[Create Storage Connection Policy](#)

[Create Service Profile](#)

[Associate Service Profile with the Server](#)

[Verify](#)

[Verify from GUI](#)

[Verify from CLI](#)

[Troubleshoot](#)

[Related Information](#)

Introduction

This document provides a sample configuration of Direct Attached Storage (DAS) in the Cisco Unified Computer System (UCS); the configuration uses the graphical user interface (GUI) available in the UCS Manager (UCSM).

With the release of UCS version 2.1, it is now possible to connect the storage array directly to the Fabric Interconnect (FI) without any upstream storage area network (SAN) switch.

Prerequisites

Requirements

Cisco recommends that you have knowledge of these topics:

- UCS and UCS Manager Knowledge
- Storage Area Networking
- Fiber Channel Zoning Concepts

Components Used

The information in this document is based on these software and hardware versions:

- UCS setup with FI in fiber channel (FC) switch mode and with firmware version 2.1(1a) or later.
- Storage array that supports UCS. Refer to [UCS - Storage Interoperability Matrix](#) for list of supported storage arrays.

The information in this document was created from the devices in a specific lab environment. All of the devices used in this document started with a cleared (default) configuration. If your network is live, make sure that you understand the potential impact of any command.

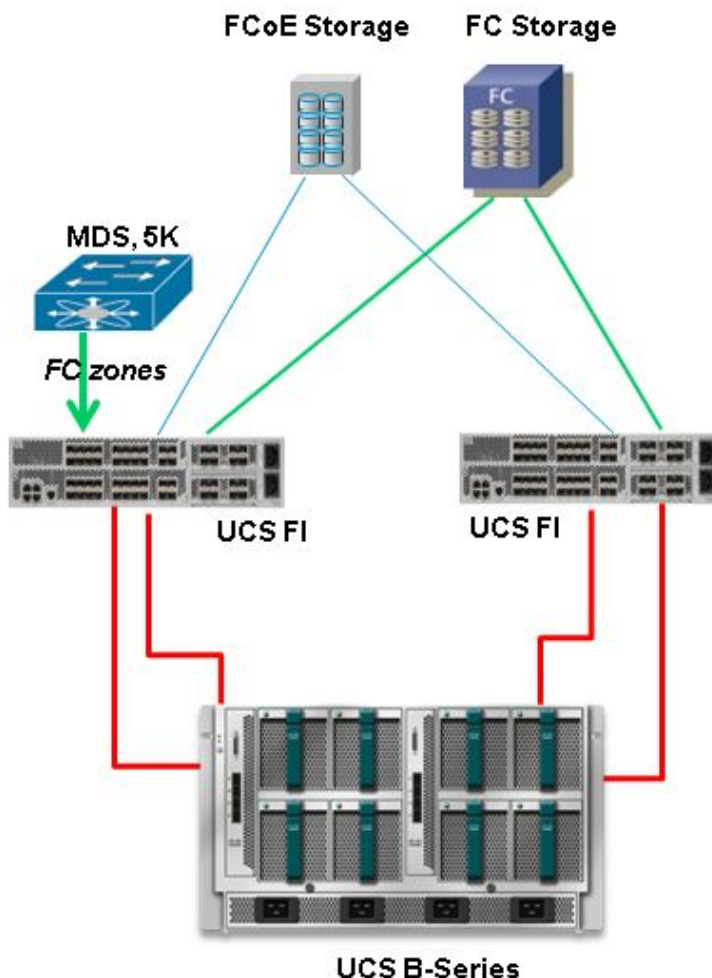
Conventions

Refer to [Cisco Technical Tips Conventions](#) for information on document conventions.

Background Information

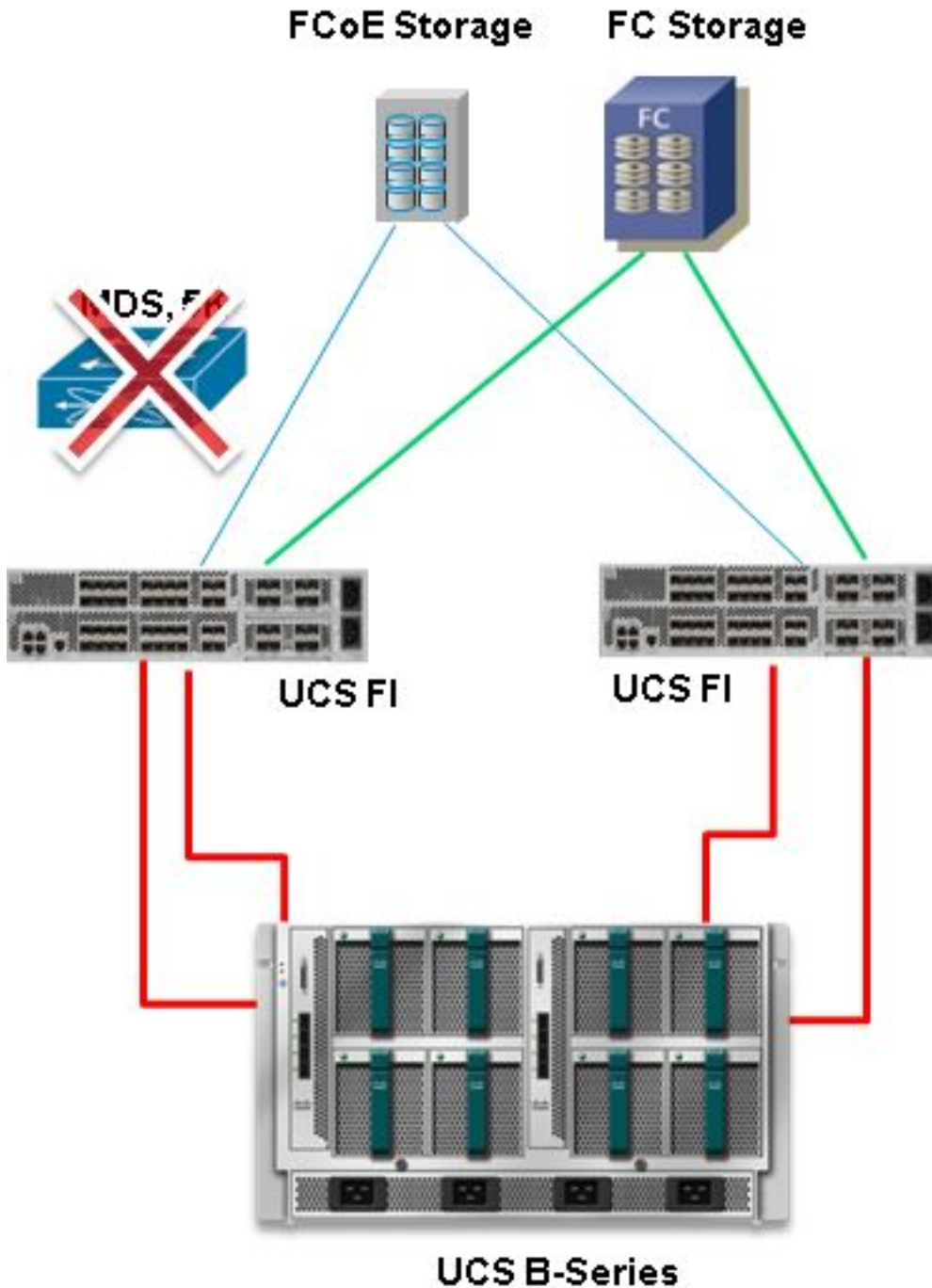
UCS with DAS Earlier than Version 2.1

In versions of UCS earlier than 2.1, you had the option to use DAS with UCS. However, you needed a SAN switch connected to the FI so the switch could push the zone database to the FI. That is, the UCS platform was not able to build a zone database. The topology was similar to this:



UCS with DAS in Version 2.1

With the release of Version 2.1, UCS now has the ability to build its own zone database. You can have DAS with UCS without the need for a SAN switch to push the zoning configuration. The topology now looks like this:



Configure

Configure Direct Attached Storage

The general process to configure DAS in UCS is:

1. Configure FI in FC switch mode.

2. Create required virtual SAN (VSAN).
3. Set the port role in UCS.
4. Check if the storage port worldwide port name (WWPN) is logged in to the fabric.

This assumes the physical cables are already connected between the storage array ports and the Fabric Interconnects.

Each of these steps is explained in detail in the next sections.

Configure FI in FC Switch Mode

If the FI is not already in FC switch mode, this procedure demonstrates how to change to that mode. You can still run End Host Mode for the Ethernet.

Note: This activity requires an FI reboot.

1. In the UCSM, navigate to and click the **Equipment** tab.
2. Expand **Fabric Interconnects**.
3. Click **Fabric Interconnect A**.
4. In the right pane, select **Set FC Switching Mode**.



5. Repeat Steps 1-4 for Fabric B.

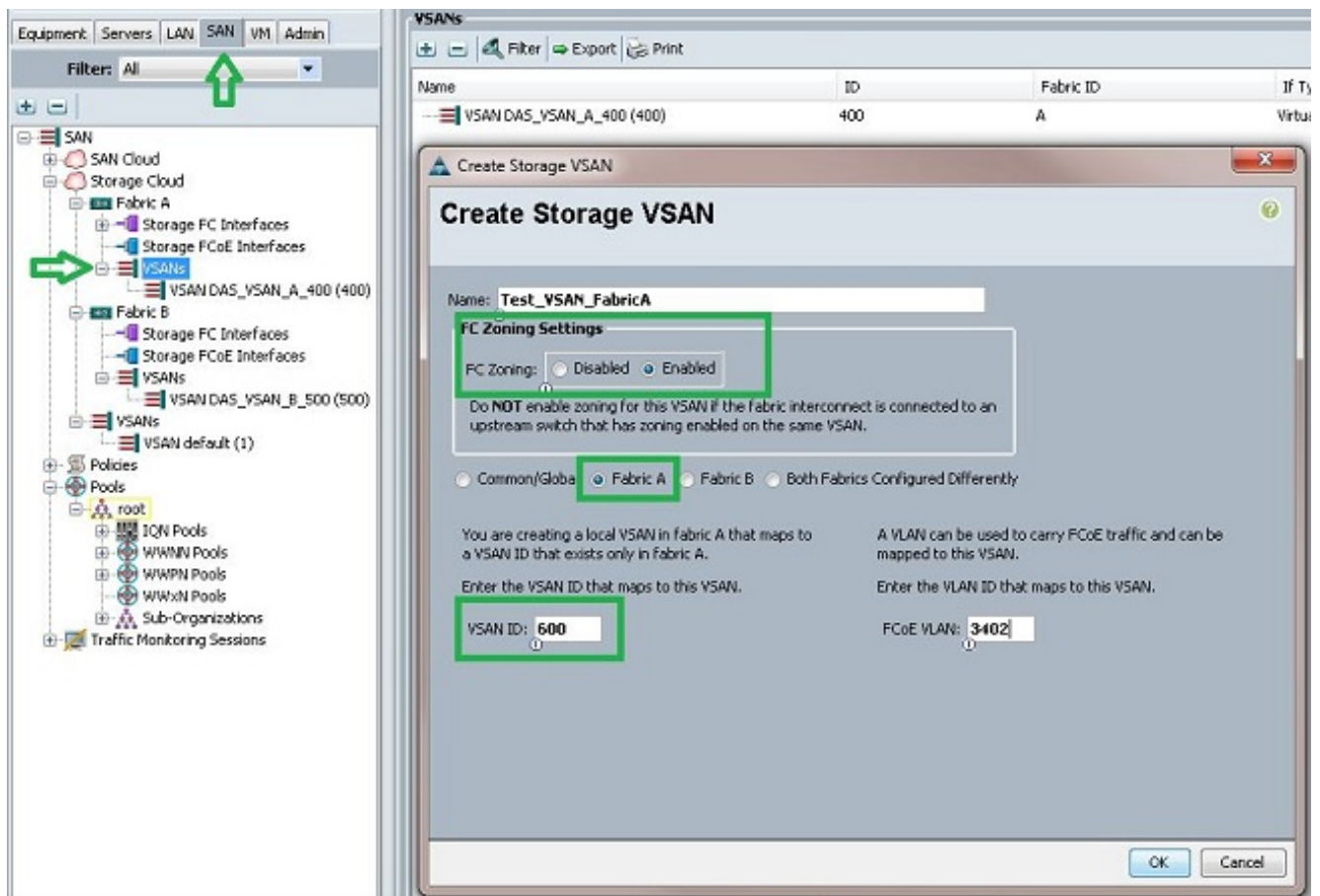
Create Required VSAN

This procedure demonstrates how to create the required VSANs in both FIs and how to enable zoning on the VSANs. Before you start this procedure, identify which VSAN ID you want to use for both fabrics.

Note: Storage VSANS should be created only under **Storage Cloud** and should not be

allowed in the FC uplinks if any.

1. In the UCSM, navigate to and click the **SAN** tab.
2. Expand **Storage Cloud**.
3. Expand **Fabric A**.
4. Right-click VSANs, and select **Create Storage VSAN**.
5. Enter a name for the VSAN.
6. Select **Enabled** for FC Zoning.
7. Select Fabric A.
8. Enter the **VSAN ID** and a Fiber Channel over Ethernet (FCoE) VLAN ID for Fabric A. Make sure that FCoE VLAN ID is a VLAN ID that is not currently used in the network.



9. Repeat Steps 1-8 for Fabric B.

Set the Port Role in UCS

This procedure demonstrates how to select the FI ports connected to the storage array and how to configure them as **FC Storage Ports**.

1. In the UCSM, navigate to and click the **Equipment** tab.
2. Expand **Fabric Interconnects**.
3. Expand **Fabric Interconnect A**.
4. Right-click the port connected to the storage array, and select **Configure as FC Storage Port**.
5. Select the correct **VSAN** for this port in the right pane.

6. Repeat steps 1-6 for Fabric B.

If the port is configured properly and is up in the storage array, the FC Storage port in UCS should come online.

Confirm StoragePort WWPN Is Logged in to the Fabric

This procedure ensures that the storage port WWPN is logged in to the fabric.

1. Log in through the secure shell (SSH), or establish a Telnet connection to the UCS Virtual IP (VIP).
2. Enter the **connect nxos { a | b }** command, where a | b represents FI A or FI B; in this example, the FI is A.
3. Enter the **show flogi database vsan vsan ID** command, where *vsan ID* is the identifier for the VSAN; in this example, the identifier is 600.

This image is an example of output from these two commands. The storage port WWPN is now logged in to VSAN 600. Be sure to confirm the storage port login on both of the fabrics.

```
bgl-sv-6140-test-1# connect nxos a
Cisco Nexus Operating System (NX-OS) Software
TAC support: http://www.cisco.com/tac
Copyright (c) 2002-2012, Cisco Systems, Inc. All rights reserved.
The copyrights to certain works contained in this software are
owned by other third parties and used and distributed under
license. Certain components of this software are licensed under
the GNU General Public License (GPL) version 2.0 or the GNU
Lesser General Public License (LGPL) Version 2.1. A copy of each
such license is available at
http://www.opensource.org/licenses/gpl-2.0.php and
http://www.opensource.org/licenses/lgpl-2.1.php
bgl-sv-6140-test-A(nxos)# show flogi database vsan 600
-----
INTERFACE          VSAN    FCID          PORT NAME          NODE NAME
-----
fc2/2              600     0xc30000     50:0a:09:82:88:4c:be:ef 50:0a:09:80:88:4c:be:ef

Total number of flogi = 1.

bgl-sv-6140-test-A(nxos)#
```

Configure FC Zoning

The general process to configure the server is:

1. Create storage connection policy.
2. Create a service profile.
3. Associate the service profile with the server.

Each of these steps is explained in detail in the next sections.

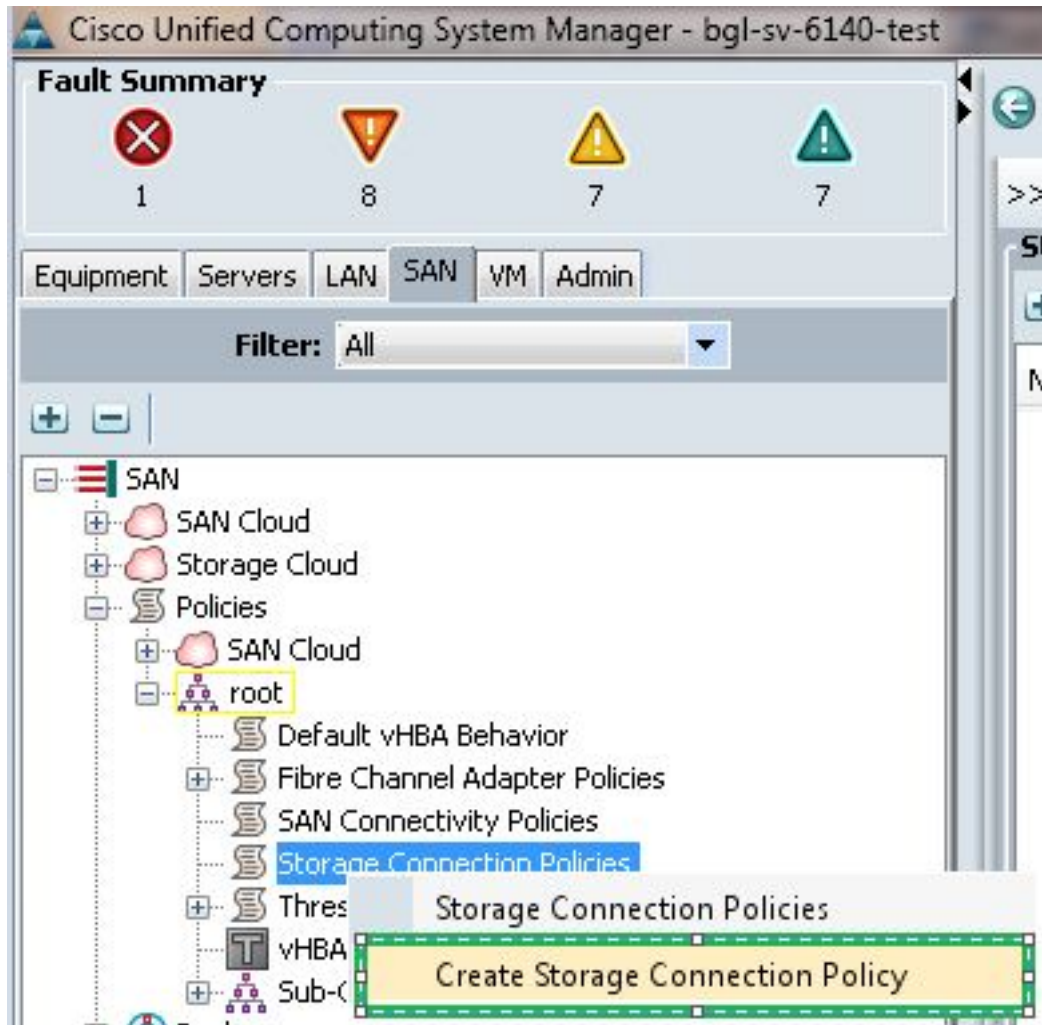
Create Storage Connection Policy

This procedure demonstrates how to create the storage connection policy and the storage target

WWPN.

Note: Cisco recommends that you create one policy for each fabric so the zoning is easy to understand.

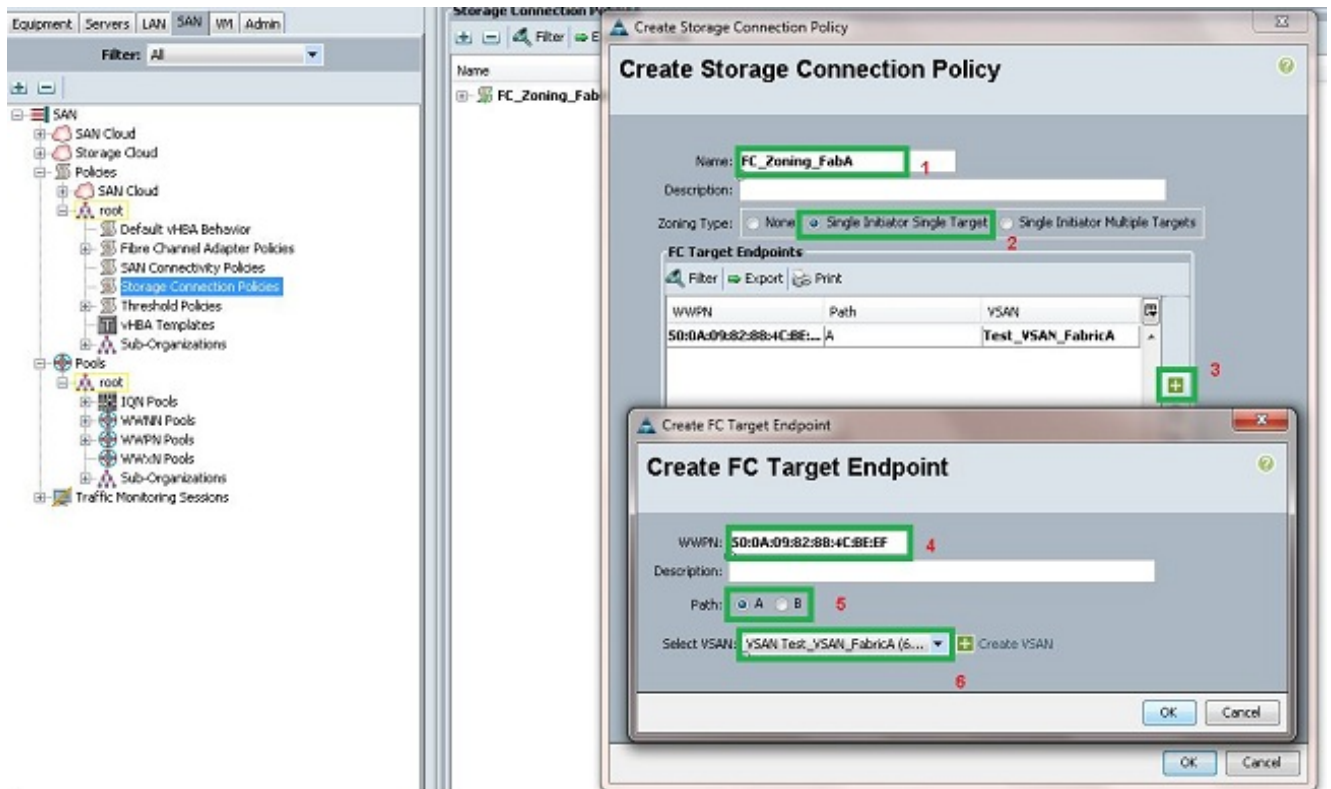
1. In the UCSM, navigate to and click the **SAN** tab.
2. Expand **Policies**, expand **Root**, right-click Storage Connection Policies, and select **Create Storage Connection Policy**.



The Create Storage Connection Policy window opens and allows you to define the storage target WWPN and the fabric details.

3. Enter a Name for the storage connection policy.
4. Select a Zoning Type from the three options: **None**: Use this option when you do not have the zones created in the FI, but do have zones used from the upstream FC switch for a particular VSAN.**Single Initiator Single Target**: Use this option when you have only one storage port connected to one fabric. In this example, there is one target connected to each fabric.**Single Initiator Multiple Targets**: Use this option when you have more than one storage port connected to one fabric.
5. Click the plus (+) sign next to the FC Target Endpoints section. The Create FC Target Endpoint window opens.
6. Enter the WWPN of the FC target.
7. Click the Path for the fabric.

8. Select the VSAN ID from the drop-down list.

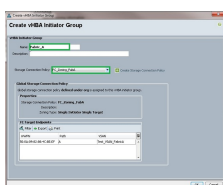


9. Click **OK** in order to save the changes.

Create Service Profile

This procedure demonstrates how to create a regular service profile with additional zoning configuration.

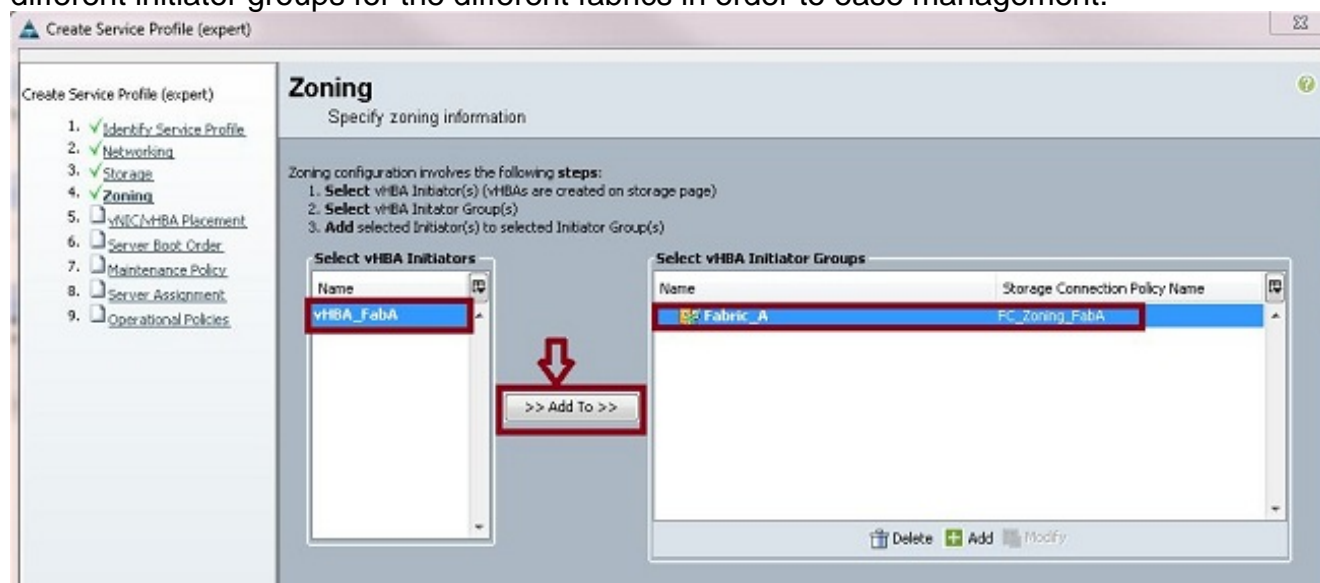
1. In the UCSM, navigate to and click the **Servers** tab.
2. Expand **Servers**, right-click **Service Profiles**, and select **Create Service Profile(expert)**.
3. Enter a name for the service profile, and select the unique identifier (UUID) pool that you already created. Click **Next**.
4. In the Networking section, create the required number of virtual network interface controllers (vNICs). Click **Next**.
5. In the Storage section, create the required number of virtual host bus adapters (vHBAs), and make sure that you place them in the correct VSAN for storage connectivity. This example uses VSAN 600. Click **Next**.
6. In the Zoning section (which is new in UCSM 2.1), select the vHBA and the Storage Connection Policy mapping in order to define the zoning. Under Select vHBA Initiators, click **vHBA**. Under the Select vHBA Initiator Groups section, click the plus (+) sign in order to open a new window.
7. Enter a Name for the Initiator Group, select the Storage Connection Policy you created previously, and click **OK**.



The Zoning window appears.

8. In the left pane, click the vHBA to add to the initiator group. In the right pane, click the vHBA Initiator Group you created. Then, click the **Add To** button between the panes in order to add that vHBA to that Initiator Group. The vHBA becomes part of the Initiator Group and is zoned with the Storage Target mentioned in the Storage Connection Policy.

Note: You can add multiple vHBAs under one vHBA initiator group. You can also create different initiator groups for the different fabrics in order to ease management.



9. Click **Next** from the Zoning section, and complete the other sections in the service profile.

Associate Service Profile with the Server

This procedure demonstrates how to associate the service profile with the server, which initiates the creation of zones and the zoneset.

1. Right-click the service profile you just created, and click **Change Service Profile Association**.
2. Select **Select Existing Server** from the drop-down list.
3. Select the appropriate server, and click **OK**. The server then reboots.

Verify

Use this section to confirm that your zone creation and zoneset activation work properly.

The [Cisco CLI Analyzer](#) (registered customers only) supports certain **show** commands. Use the Cisco CLI Analyzer in order to view an analysis of **show** command output.

Verify from GUI

This procedure describes how to verify the zone configuration and zoneset activation from the GUI.

1. In the UCSM, navigate to and click the **Servers** tab.

2. Expand **Servers** and **Service Profiles**.
3. Navigate to and click the service profile you created previously.
4. Click the **FC Zones** tab in the right pane.

In this image, the initiator and target WWPN are in the same zone. The zone Admin State is Applied, and the Oper State is Active, which means the zone is part of the current active zoneset.

Name	Initiator WWPN	Target WWPN	Initiator Name	Admin State	Oper State	Fabric ID	VSAN ID	Zone ID	User Label
ucs_bgl-sv-6140-test_A_1_FC_Zoning_Test_vHBA_FabA	20:00:00:25:b5:00:10:2f	50:0a:09:82:88:4c:be:ef	vHBA_FabA	Applied	Active	A	600	1	
FC Target 50:0a:09:82:88:4c:be:ef									

Note: The zone name is automatically created; you do not have any control over the name. In this example, the naming convention is *ClusterName_FabricID_ZoneID_ServiceProfileName_InitiatorName*.

Verify from CLI

This procedure connects to the NXOS shell of the UCS and verifies the zoning from the command-line interface.

1. Log in through the secure shell (SSH) to the UCS VIP.
2. Enter the **connect nxos { a | b }** command, where a | b represents FI A or FI B; in this example, the FI is A.
3. Enter the **show zoneset active vsan vsan ID** command, where *vsan ID* is the identifier for the VSAN; in this example, the identifier is 600.

This image is an example of output from these two commands.

```
bgl-sv-6140-test-A# connect nxos a
Cisco Nexus Operating System (NX-OS) Software
T&C support: http://www.cisco.com/tac
Copyright (c) 2002-2012, Cisco Systems, Inc. All rights reserved.
The copyrights to certain works contained in this software are
owned by other third parties and used and distributed under
license. Certain components of this software are licensed under
the GNU General Public License (GPL) version 2.0 or the GNU
Lesser General Public License (LGPL) Version 2.1. A copy of each
such license is available at
http://www.opensource.org/licenses/gpl-2.0.php and
http://www.opensource.org/licenses/lgpl-2.1.php
bgl-sv-6140-test-A(nxos)# show zoneset active vsan 600
zoneset name ucs-bgl-sv-6140-test-vsant-600-zoneset vsan 600
  zone name ucs_bgl-sv-6140-test_A_1_FC_Zoning_Test_vHBA_FabA vsan 600
    * fcid 0xc30001 [pwwn 20:00:00:25:b5:00:10:2f]
    * fcid 0xc30000 [pwwn 50:0a:09:82:88:4c:be:ef]
bgl-sv-6140-test-A(nxos)#
```

If the proper logical unit number (LUN) masking is done from the storage side, the LUN is now visible in the server OS.

Troubleshoot

This section provides information you can use to troubleshoot your configuration.

If you have created the service profile, but cannot see the zones under the FC Zones tab, use this troubleshooting checklist:

- Is the zoning enabled on the intended VSAN?
- Is the service profile associated? Zones are created only when the service profile is associated with the server.
- Is the correct storage connection policy selected under vHBA initiator groups?
- Is the correct VHBA added to the correct vHBA initiator group?
- Is the correct VSAN selected for the vHBAs?
- Are the correct VSAN and fabric selected under the storage connection policy?

Related Information

- [UCS 2.1 FC Zoning Configuration Guide](#)
- [Technical Support & Documentation - Cisco Systems](#)