

Cisco Gigabit Ethernet High-Speed WAN Interface Card

The Cisco® Gigabit Ethernet High-Speed WAN Interface Card (HWIC) brings Gigabit Ethernet connectivity to Cisco Integrated Services Routers routers to accelerate applications such as Metro Ethernet access, inter-VLAN routing, and high-speed connectivity to LAN switches.

Overview

The single-port Cisco Gigabit Ethernet HWIC provides Gigabit Ethernet optical and copper connectivity in a compact form factor for all Cisco Integrated Service Routers (ISRs).

The Gigabit Ethernet HWIC enables branch offices to cost-effectively use high-speed uplinks in numerous environments (Figure 1). The enhanced performance of Gigabit Ethernet in Cisco ISRs to enable new applications and services, as well as provide greater capacity for existing inter-VLAN routing and bridging capabilities. Additionally, branch offices can now connect to metropolitan-area networks (MANs).

Note: The HWIC provides Gigabit Ethernet connectivity but will not support line rate since the throughput is limited by the platforms.

For flexibility, the HWIC includes one Small Form-Factor Pluggable (SFP) slot to carry any Cisco copper or optical SFP (Table 1), allowing customers to use different SFPs for special distance, cost, existing infrastructure, and future expansion requirements.

Cisco IOS® Software provides enhanced capabilities such as quality of service (QoS), Multiprotocol Label Switching (MPLS), IP Security (IPSec), and Layer 3 VPNs. Since this is a true routed port card, the user can configure an IP address directly on the HWIC-1GE-SFP interface and does not have to configure the port for VLAN trunking as is done in Switched Virtual Interface (SVI) configurations.

Figure 1. Cisco Gigabit Ethernet HWIC



Product Summary

Table 1. Cisco Gigabit Ethernet HWIC Product Part Numbers and Descriptions

Part Number	Product Description
HWIC-1GE-SFP	Gigabit Ethernet HWIC with One SFP Slot
SFPs	
GLC-T=	1000BASE-T SFP
GLC-LH-SM=	Gigabit Ethernet SFP, LC connector, LX/LH transceiver
GLC-SX-MM=	Gigabit Ethernet SFP, LC connector, SX transceiver
GLC-ZX-SM=	1000BASE-ZX SFP
Coarse Wavelength Division Multiplexing (CWDM) SFPs	
CWDM-SFP-1470=	CWDM 1470 NM SFP Gigabit Ethernet and 1G/2G Fibre Channel
CWDM-SFP-1490=	CWDM 1490 NM SFP Gigabit Ethernet and 1G/2G Fibre Channel
CWDM-SFP-1510=	CWDM 1510 NM SFP Gigabit Ethernet and 1G/2G Fibre Channel
CWDM-SFP-1530=	CWDM 1530 NM SFP Gigabit Ethernet and 1G/2G Fibre Channel
CWDM-SFP-1550=	CWDM 1550 NM SFP Gigabit Ethernet and 1G/2G Fibre Channel
CWDM-SFP-1570=	CWDM 1570 NM SFP Gigabit Ethernet and 1G/2G Fibre Channel
CWDM-SFP-1590=	CWDM 1590 NM SFP Gigabit Ethernet and 1G/2G Fibre Channel
CWDM-SFP-1610=	CWDM 1610 NM SFP Gigabit Ethernet and 1G/2G Fibre Channel

Features

Ethernet and VLAN Features

- IEEE802.3 with IEEE802.2 Service Advertising Protocol (SAP)
- IEEE802.3 with IEEE802.2 and Subnetwork Access Protocol (SNAP)
- IEEE 802.1Q VLAN tagging
- Flow control (802.3x)
- Gigabit EtherChannel[®] for link redundancy

Network Management Features

- CiscoWorks
- Simple Network Management Protocol (SNMP) support
- Remote Monitoring (RMON) support
- Cisco NetFlow accounting

QoS Features

- Weighted Random Early Detection (WRED)
- Precedence setting and mapping (802.1p)
- Committed access rate (CAR)
- Access control lists (ACLs)
- MAC address filtering
- Extended ACLs
- Voice and remaining QoS features, per platform and per Cisco IOS Software release

Additional Features

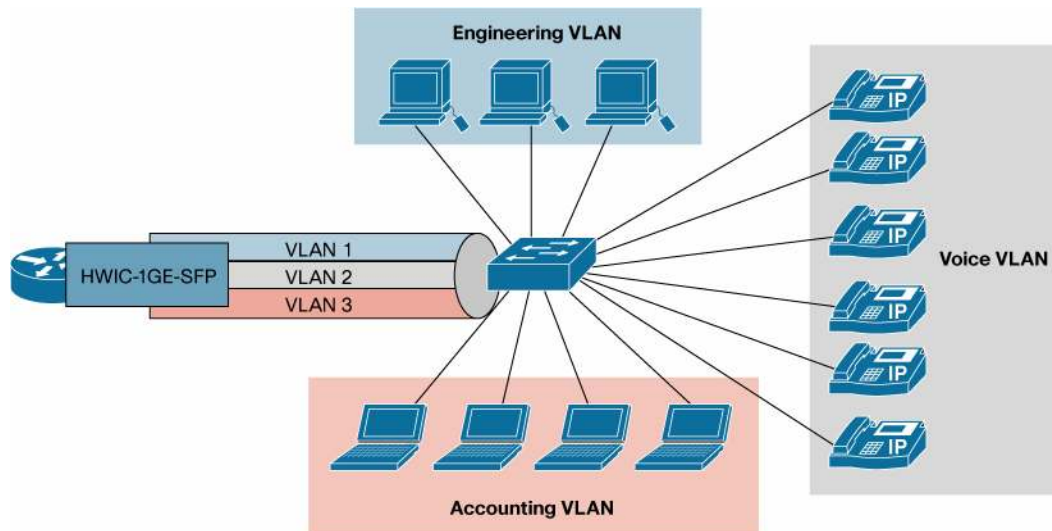
- Jumbo frame support up to 9576 bytes
- Cisco Group Management Protocol and Internet Group Management Protocol (IGMP) for multicasting
- High availability, supporting Hot Standby Router Protocol (HSRP), Virtual Router Redundancy Protocol (VRRP), and Gateway Load Balancing Protocol (GLBP)
- Hot insertion and removal for SFPs on all platforms
- Media or SFP type display through a command-line interface (CLI)

Gigabit Ethernet Applications

Gigabit Ethernet in the Branch Office

In a branch office, the Cisco Gigabit Ethernet HWIC provides a high-speed uplink. Figure 2 shows the HWIC being used to bridge non-routable protocols, while providing Layer 3 connectivity. The HWIC is also useful in situations that require IEEE 802.1q inter-VLAN routing and in any LAN requiring fiber connectivity.

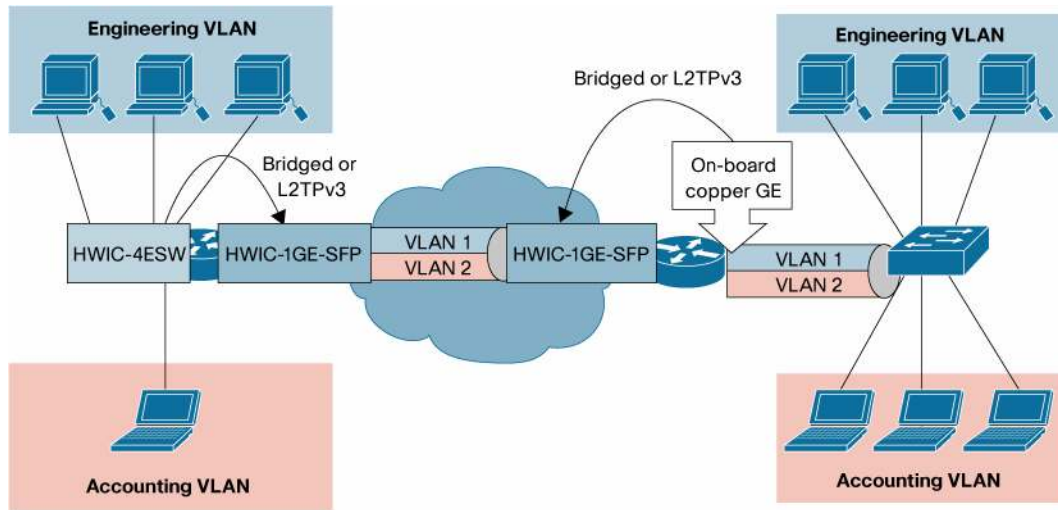
Figure 2. VLAN Trunking Application



Gigabit Ethernet in MANs

Figure 3 shows the Cisco Gigabit Ethernet HWIC used to connect Layer 3 VPNs over a MAN. Cisco IOS Software enables QoS applications such as traffic shaping and Network-Based Application Recognition (NBAR). As with VLAN trunking, this is ideal for situations in which fiber connectivity is desirable.

Figure 3. Metro Ethernet Application



Specifications

Software Support

Table 2 gives the Cisco IOS Software requirements for the Cisco Gigabit Ethernet HWIC, and Table 3 lists the platforms supported.

Table 2. Minimum Cisco IOS Software Requirements for Cisco Gigabit Ethernet HWIC

Supported Platforms	Minimum Software Image	Minimum Software Package
Cisco 1921	15.0(1)M2	IP Base
Cisco 1941	15.0(1)M	IP Base
Cisco 1941W	15.0(1)M	IP Base
Cisco 2901	15.0(1)M	IP Base
Cisco 2911	15.0(1)M	IP Base
Cisco 2921	15.0(1)M	IP Base
Cisco 2951	15.0(1)M	IP Base
Cisco 3925	15.0(1)M	IP Base
Cisco 3945	15.0(1)M	IP Base
Cisco 3925E	15.1(1)T2	IP Base
Cisco 3945E	15.1(1)T2	IP Base
Cisco 1841	12.4(15)T9	IP Base
Cisco 1861	12.4(20)T3	IP Base
Cisco 2801	12.4(15)T9	IP Base
Cisco 2811	12.3(8)T4	IP Base
Cisco 2821	12.3(8)T4	IP Base
Cisco 2851	12.3(8)T4	IP Base
Cisco 3825	12.3(8)T4	IP Base
Cisco 3845	12.3(8)T4	IP Base

Table 3. Cisco Gigabit Ethernet HWIC Support Comparison

Supported Platforms	Number of Modules Supported
Cisco 1921	1
Cisco 1941	2
Cisco 1941W	2
Cisco 2901	2
Cisco 2911	2
Cisco 2921	2
Cisco 2951	2
Cisco 3925	4
Cisco 3945	4
Cisco 3925E	3
Cisco 3945E	3
Cisco 1841	1
Cisco 1861	1
Cisco 2801	1
Cisco 2811	1
Cisco 2821	1
Cisco 2851	1
Cisco 3825	2
Cisco 3845	2

Minimum Memory Requirements

For information regarding memory requirements, please refer to the hardware-software compatibility matrix or the Cisco IOS Software release notes.

Ethernet Specifications

- IEEE 802.3 with 802.2 SAP
- IEEE 802.3 with 802.2 and SNAP
- IEEE 802.1p
- IEEE 802.1q VLAN
- Gigabit Ethernet IEEE 802.3z, IEEE 802.3x, IEEE 802.3ab

Agency Approvals

- UL 1950 (United States)
- CSA-C22.2 #950 (Canada)
- EN60950 (Europe)
- TUV GS (Germany)
- IEC 950 (International)

Immunity

- EN300386
- EN55024/CISPR24
- EN50082-1

Emissions

- FCC Part 15 Class A
- ICES-003 Class A
- EN55022 Class A
- CISPR22 Class A
- AS/NZS 3548 Class A
- VCCI Class A
- EN 300386
- EN61000-3-3
- EN61000-3-2

Physical Specifications

- Single-wide HWIC, no slot restrictions
- Dimensions (H x W x D) 0.8 x 3.1 x 4.8 in. (2.1 x 7.9 x 12.2 cm)

Environmental Specifications

- Operating temperature: 32 to 104°F (0 to 40°C)
- Storage temperature: -4 to 149°F (-20 to 65°C)
- Relative humidity: 10 to 90 percent, non-condensing

Cisco and Partner Services for the Branch

Services from Cisco and our certified partners can help you transform the branch experience and accelerate business innovation and growth in the Borderless Network. We have the depth and breadth of expertise to create a clear, replicable, optimized branch footprint across technologies. Planning and design services align technology with business goals and can increase the accuracy, speed, and efficiency of deployment. Technical services help improve operational efficiency, save money, and mitigate risk. Optimization services are designed to continuously improve performance and help your team succeed with new technologies. For more information, visit

<http://www.cisco.com/go/services>.



Americas Headquarters
Cisco Systems, Inc.
San Jose, CA

Asia Pacific Headquarters
Cisco Systems (USA) Pte. Ltd.
Singapore

Europe Headquarters
Cisco Systems International BV Amsterdam,
The Netherlands

Cisco has more than 200 offices worldwide. Addresses, phone numbers, and fax numbers are listed on the Cisco Website at www.cisco.com/go/offices.

Cisco and the Cisco Logo are trademarks of Cisco Systems, Inc. and/or its affiliates in the U.S. and other countries. A listing of Cisco's trademarks can be found at www.cisco.com/go/trademarks. Third party trademarks mentioned are the property of their respective owners. The use of the word partner does not imply a partnership relationship between Cisco and any other company. (1005R)