

Cisco Video Surveillance 7070 IP Camera

The Cisco® Video Surveillance 7070 IP Camera is a high-definition HD, fully functioning video endpoint that is equipped with a 5-megapixel sensor and a fisheye lens that can deliver impressive 180° panoramic views and 360° surround views. This IP camera provides industry-leading image quality and processing power, and can be deployed in both indoor and outdoor environments.

The camera is capable of 1920 x 1920 resolution while optimizing network utilization with either H.264 or Motion JPEG (MJPEG) compression. Contact closures allow integration with access control systems. With its open, standards-based design, the camera provides an ideal platform for integration and operation as an independent device or as part of a Cisco IP Video Surveillance network.



Key Benefits

The Cisco Video Surveillance 7070 IP Camera offers a variety of benefits, including:

- **Outstanding multi-view layouts:** 360° surround views and multiregion client dewarped views, with Digital PTZ functionality.
- **True high-definition video:** This 5-megapixel camera streams crisp and clear video at resolutions up to 1920 x 1920, while maintaining low network bandwidth.
- **Indoor and outdoor-ready:** An IK10 and IP66-rated enclosure enables outdoor mounting.
- **Dual streaming:** The camera can stream H.264 and MJPEG video simultaneously. Each video stream can be configured with independent resolution, quality, and frame-rate settings.
- **Application-ready platform:** Device functionality can be extended by installing and running applications directly on the camera, for example SIP client, video analytics, audio analytics, etc.
- **Integrated infrared illuminator:** The infrared illuminator can light an area up to 33 feet (10 meters) away.
- **Day and night operation:** The camera provides true day-night functionality and includes an infrared-cut filter that automatically switches to night mode in low-light scenes. This function can be set to manual, automatic, or scheduled control.
- **Privacy regions:** The camera supports up to four user-defined privacy regions. Any video within a privacy region is masked in the video stream.

- **Local storage:** Video data can automatically be recorded to a micro-Secure Digital (SD) card when the camera loses network connectivity.
- **Bidirectional audio:** The camera supports full-duplex audio and options for half-duplex operation.
- **Open API:** Support for Open Network Video Interface Forum (ONVIF) 2.0 and Profile S allows for standards-based interoperability and communications with other ONVIF appliances.
- **Flexible power options:** The camera supports Power over Ethernet plus (PoE+) (802.3at compliant) or 12V DC.

Features and Specifications

The following Table 1 describes the capabilities and specifications of the Cisco Video Surveillance 7070 IP Camera.

Table 1. Capabilities and Specifications of the Cisco Video Surveillance 7070 IP Camera

Features and Specifications	
Additional Software Features	
Activity detection	Detects changes in motion in the field of view and triggers user-definable alerts (with configurable sensitivities and thresholds), email alerts, and HTTP notifications
Camera tamper detection	Detects when a camera view is changed, blocked, or substantially out of focus. User-definable alerts, email alerts, and HTTP notifications can be triggered
Security	802.1x for client authentication Control device access by filtering individual user IP addresses or a range of IP addresses that are allowed or denied access
Overlay capabilities	Time, date, text and image
Image settings	Configurable brightness, sharpness, contrast, saturation, hue, and white balance
Device configuration	Internet Explorer 8, and later
Device Specifications	
Image sensor	One 2.5-inch progressive-scan complementary metal-oxide semiconductor (CMOS)
Image control	Automatic white balance (AWB), automatic gain control (AGC), automatic exposure shutter (AES)
Wide dynamic range	70 dB
Minimum illumination	Color mode: 0.6 lux Black/White mode: 0.01 lux, 0 lux with illuminator active
Lens	Focal length: 1.5mm Maximum aperture: F2.8
Shutter speed	1/5 second to 1/32,000 second
Iris control	Fixed iris
Field of view	180° horizontal 180° vertical 180° diagonal
Video Specifications	
Video compression	H.264 and MJPEG
Video formats	NTSC and PAL
Video streaming	Single stream H.264 - up to 1920 x 1920 at 5 fps Single stream MJPEG - up to 1920 x 1920 at 15 fps Dual stream H.264 and MJPEG: <ul style="list-style-type: none"> • Primary stream - up to 1920 x 1080 at 15 fps • Secondary stream - up to 1024 x 576 at 15 fps

Features and Specifications	
Video data transfer	Support for both constant and variable bit rates
Video resolution and frame rates	For more details, see the following Table 2
Audio Specifications	
Audio compression	G.711 A-Law, G.711 U-Law
Audio input and output	Built-in microphone Two-way (full- and half-duplex), one-way, or audio off
Network Specifications	
Quality of service	Differentiated-services-code-point (DSCP) marking and class-of-service (CoS) marking
Device discovery	Cisco Discovery Protocol, Bonjour Zero-Configuration discovery
Supported protocols	TCP/IP, DHCP, HTTP, HTTPS, NTP, RTP, RTSP, SMTP, SSL/TLS, SRTP, CDP, Bonjour, SNMP, and SSH
Physical and Environmental Specifications	
Power	22W consumed with a 12V DC 23W consumed with a PoE+ (802.3at-compliant) source
Operating temperature	Normal startup: <ul style="list-style-type: none"> • -40 to 50°C (-40 to 122°F) using DC and PoE+ • 0 to 50°C (0 to 122°F) using PoE Cold startup: <ul style="list-style-type: none"> • 0°C using PoE • -40°C using DC and PoE+
Weight	28 ounces (794 grams)
Dimensions (D x H)	Ø: 160 mm x 51 mm
Housing	Aluminum
Status LEDs	Power and activity
External Connectivity	
Network connectivity	100BASE-TX Ethernet with RJ-45 connector
Serial port	Not supported
Alarm input	One logic level programmable
Alarm output¹	One logic level programmable
Storage	MicroSD card slot
Audio	External microphone input External line output
Analog video out	Not supported
Power input	Power cord socket, terminal block adaptor included
Certifications	
Safety	UL60950-1 second edition CSA22.2-No.60950-1 IEC/EN60950-1 second edition
EMC requirements	CISPR22 Class B ICES-003 EN50121-4 EN50155 EN50130-4 EN55022 EN55024 EN61000-3-2/-3-3 VCCI Class B KN22 Class B

Features and Specifications	
	KN24 CISPR 24 AS/NZS CISPR 22 FCC CFR Title 47 Part 15 Subpart B

* Not supported when the IP camera is used with Cisco Video Surveillance Manager.

Video Stream Profile Support

The following Table 2 shows 1:1 aspect ratios for the 7070 IP Camera.

Table 2. Aspect Ratios for the Cisco Video Surveillance 7070 IP Camera

Primary (H.264 or MJPEG)	Maximum fps	Secondary (H.264 or MJPEG)	Maximum fps
1920 x 1920	15	768 x 768 512 x 512 384 x 384 256 x 256 192 x 192	15
1536 x 1536	15	768 x 768 512 x 512 384 x 384 256 x 256 192 x 192	15
1280 x 1280	15	768 x 768 512 x 512 384 x 384 256 x 256 192 x 192	15
1056 x 1056	15	768 x 768 512 x 512 384 x 384 256 x 256 192 x 192	15
768 x 768	15	768 x 768 512 x 512 384 x 384 256 x 256 192 x 192	15
512 x 512	15	512 x 512 384 x 384 256 x 256 192 x 192	15
384 x 384	15	384 x 384 256 x 256 192 x 192	15
256 x 256	15	256 x 256 192 x 192	15
192 x 192	15	192 x 192	15

The following Table 3 shows 16:9 aspect ratios for the 7070 IP Camera.

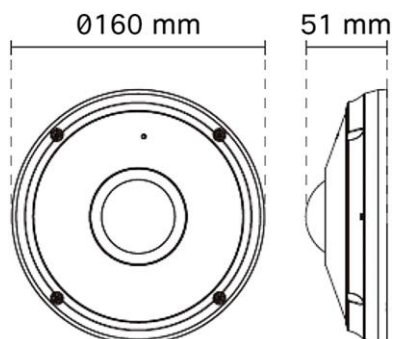
Table 3. Aspect Ratios for the Cisco Video Surveillance 7070 IP Camera

Primary (H.264 or MJPEG)	Maximum fps	Secondary (H.264 or MJPEG)	Maximum fps
1920 x 1080	30	-	-
1920 x 1080	15	1024 x 576 960 x 544 768 x 432 704 x 400 640 x 368 352 x 208 320 x 192 192 x 112 160 x 96	15
1536 x 864	30	1024 x 576 960 x 544 768 x 432 704 x 400 640 x 368 352 x 208 320 x 192 192 x 112 160 x 96	15
1472 x 832	30	1024 x 576 960 x 544 768 x 432 704 x 400 640 x 368 352 x 208 320 x 192 192 x 112 160 x 96	15
1280 x 720	30	1024 x 576 960 x 544 768 x 432 704 x 400 640 x 368 352 x 208 320 x 192 192 x 112 160 x 96	15
1024 x 576	30	1024 x 576 960 x 544 768 x 432 704 x 400 640 x 368 352 x 208 320 x 192 192 x 112 160 x 96	15

Primary (H.264 or MJPEG)	Maximum fps	Secondary (H.264 or MJPEG)	Maximum fps
960 x 544	30	960 x 544 768 x 432 704 x 400 640 x 368 352 x 208 320 x 192 192 x 112 160 x 96	15
768 x 432	30	768 x 432 704 x 400 640 x 368 352 x 208 320 x 192 192 x 112 160 x 96	15
704 x 400	30	704 x 400 640 x 368 352 x 208 320 x 192 192 x 112 160 x 96	15
640 x 368	30	640 x 368 352 x 208 320 x 192 192 x 112 160 x 96	15
352 x 208	30	352 x 208 320 x 192 192 x 112 160 x 96	15
320 x 192	30	320 x 192 192 x 112 160 x 96	15
192 x 112	30	192 x 112 160 x 96	15
160 x 96	30	160 x 96	15

Figure 1 shows the dimensions of the Cisco Video Surveillance 7070 IP Camera.

Figure 1. Cisco Video Surveillance 7070 IP Camera Dimensions in Millimeters



Package Contents

The items that ship with the Cisco Video Surveillance 7070 IP Camera include:

- Cisco Video Surveillance 7070 IP Camera
- Installation template and alignment sticker
- Mounting plate
- Bushing and connectors
- L-type hex wrench
- Screws, hex nuts, and wall anchors
- Desiccant pack and double-sided tape
- Documentation reference card
- Regulatory documentation

Availability

The Cisco Video Surveillance 7070 IP Camera is available through Cisco Authorized Technology Provider (ATP) partners.

Ordering Information

Table 4 lists the part numbers for the Cisco Video Surveillance 7070 IP Camera and accessories.

Table 4. Ordering Information

Part Number	Description
CIVS-IPC-7070	5-MP Cisco Video Surveillance 7070 IP Camera

Using the Camera with Cisco Video Surveillance Manager

Features that are marked with an asterisk (*) are not supported when using the camera with Cisco Video Surveillance Manager.

Services and Support

Cisco and our certified partners can help you accelerate success and improve your ROI in a Cisco Physical Security solution. The Cisco lifecycle approach to services defines the requisite activities at each phase of the solution lifecycle:

- Reduce deployment costs by identifying the features that best meet your business requirements.
- Accelerate migration by assessing the readiness of your network to support the system and by developing a sound design.
- Support smooth implementation through effective planning and expert installation, configuration, and integration.
- Increase operational efficiency and extend the value of your investment with award-winning technical support.

For more information about Cisco Services, visit <http://www.cisco.com/go/services>.

Cisco Capital

Financing to Help You Achieve Your Objectives

Cisco Capital can help you acquire the technology you need to achieve your objectives and stay competitive. We can help you reduce CapEx. Accelerate your growth. Optimize your investment dollars and ROI. Cisco Capital financing gives you flexibility in acquiring hardware, software, services, and complementary third-party equipment. And there's just one predictable payment. Cisco Capital is available in more than 100 countries. [Learn more.](#)

For More Information

For more information about the Cisco Video Surveillance 7070 IP Camera, visit <http://www.cisco.com/go/videosurveillance> or contact your local account representative.



Americas Headquarters
Cisco Systems, Inc.
San Jose, CA

Asia Pacific Headquarters
Cisco Systems (USA) Pte. Ltd.
Singapore

Europe Headquarters
Cisco Systems International BV Amsterdam,
The Netherlands

Cisco has more than 200 offices worldwide. Addresses, phone numbers, and fax numbers are listed on the Cisco Website at www.cisco.com/go/offices.

Cisco and the Cisco logo are trademarks or registered trademarks of Cisco and/or its affiliates in the U.S. and other countries. To view a list of Cisco trademarks, go to this URL: www.cisco.com/go/trademarks. Third party trademarks mentioned are the property of their respective owners. The use of the word partner does not imply a partnership relationship between Cisco and any other company. (1110R)