

Cisco Board Pro G2



Contents

03	Overview
04	Features and benefits
10	Platform support
10	Product specifications
21	Feature availability matrix
25	Hardware specifications
28	Ordering information
35	Warranty information
35	Product sustainability
35	Cisco services and support
35	Cisco Capital
35	For more information



Overview

Cisco® Board Pro G2 is an all-in-one, integrated video device and collaboration board that offers a complete hybrid meeting room solution to remove the distance between in-room and remote participants. It is an intelligent video conferencing appliance combining a dual camera system, built-in speakers and microphones, an interactive touch screen, an AI-powered computing engine, and several mounting options to customize the experience.

Featuring premium design, it's the ultimate room device to power AI-enhanced video meetings, touch-enabled collaborative teamwork, streamlined deployment and scalable cloud management with a single solution.

Running the Cisco Rooms and Microsoft Teams Rooms platform experiences and powered by the Cisco RoomOS core operating system, the Board Pro G2 is a supreme-quality, interoperable collaboration hardware to support hybrid meetings and teamwork in a variety of small and medium meeting rooms, training rooms, huddle spaces, and flexible room configurations.

What's more, it features streamlined installation and maintenance with an all-in-one form factor, standardized design and unified management allowing you to bring remarkable hybrid collaboration to any small and medium workspaces at scale.





Figure 1. Video meeting with the wall-mount Board Pro 75 G2

Features and benefits

AI-enhanced, cinematic views

Cisco® Board Pro G2 is a meeting and collaboration board offering AI-infused meeting experiences that allow participants to communicate with clarity, feel included, and stay focused in the meeting. Featuring a high-performing computing engine and an NVIDIA® AI chipset, it brings sophisticated image, audio and language processing to everyday meeting spaces to build equity, remove distractions, and create more natural collaboration experiences.

It is the only dual-camera-powered meeting board where a wide-angle lens and a far-reaching tele-lens work seamlessly together and are augmented with software AI to provide high-quality, inclusive camera

views, extended camera reach and impeccable visual clarity for remote participants. The Board Pro G2 supports a variety of camera views, including Frames and People Focus for multi-participant framing, adaptive speaker view, and optimized group view. Furthermore, it provides the option to extend the camera reach with an AI virtual lens to make sure the active speaker at the far end of a long and narrow conference table is captured at high quality.

Better still, it's a room device that supports connectivity with an external PTZ camera to provide cinematic presenter tracking for more inclusive hybrid training, presentation and event scenarios.



Figure 2. Digital whiteboarding in a Microsoft Teams meeting using the Board Pro 55 G2

Distraction-free, immersive experiences

Available in 55” and 75” display size models, the Board Pro G2 helps your teams be fully focused on the meeting: it provides rich, spatial sound in the room powered by a multi-channel loudspeaker system and picks up voices with a 14-element, beamforming microphone array while using advanced AI noise removal and supporting microphone extension to support high-quality acoustic experiences.

Featuring embedded device intelligence that works with any end user platform, Board Pro G2 helps users specify and optimize virtual meeting zones to only capture and frame those in the meeting while excluding passers-by in shared open areas or glass-walled spaces.

The device helps your teams enjoy engaging presentation experiences with a variety of content sharing options via cable (HDMI, USB-C) or wirelessly (Webex, Miracast, Apple AirPlay, Teams Casting) while enabling users to apply temporary or permanent annotations on any shared content.

Boost collaborative teamwork

Cisco Board Pro G2 also works as a responsive, interactive touch display for collaborative workflows and digital whiteboarding. Supporting a wide range of ideation, whiteboarding and productivity solutions, it allows teams to brainstorm, collaborate and share ideas in a connected workflow.

The Board Pro G2 features two active pens with a button to enable a contextual menu to support seamless annotation and multi-ink experiences with ultra-low latency. Whether it’s an ongoing meeting or a local brainstorming session, users can leverage the stylus, and touch-based pinch and zoom for details and precision.

While the room device supports the Webex Whiteboard and Microsoft Whiteboard (only on MTR) experiences, it provides access to your go-to productivity solutions like Miro, Mural or Trello running as web apps or embedded apps on the touch device--either in a meeting or locally.



Figure 3. Cisco Board Pro 75 G2 on floor stand with wheel stand upgrade running the Webex Whiteboard experience

Equip any small and medium room for hybrid work

Cisco Board Pro G2 is a fully self-contained system on a high-resolution 4K LCD screen. It securely connects with up to two external screens, an external camera, conferencing microphones and speakers, room control and scheduling displays, and other room peripherals to help you customize the room experience. Users can leverage two input sources and solve BYOD and touch redirect via a single USB-C cable.

The device seamlessly connects with analog, USB and IP audio peripherals, including the Cisco Table Microphone Pro to provide directional, intelligent voice capture in longer rooms.

The Board Pro G2 includes a wall mount bracket for an unobtrusive setup., but is also available with an optional wall-stand, floor-stand or floor-stand with wheel upgrade kit to support mobility in fixed or flexible room configurations. This not only helps you remove the need for overly complex configuration, systems integration, and costly maintenance but also allows to deploy high-quality, standardized conferencing hardware at scale.

Unrivalled platform interoperability

The Board Pro G2 is a dedicated, flexible room appliance running the Cisco Rooms or the Microsoft Teams Rooms experience with a single solution and powered by a secure platform architecture. When configured for Cisco Rooms, it powers the native Webex Meetings and Events experience for the ultimate meeting and workspace experience combined with advanced third-party interoperability with Microsoft Teams, Zoom and Google Meet.

When configured to run Microsoft Teams Rooms natively, it offers a set of differentiated camera and audio intelligence capabilities, advanced collaboration AI, and rich wired and wireless content sharing. It is unique in extending device management with advanced monitoring, troubleshooting and analytics in Control Hub and provides the option to combine Microsoft Teams with the power of full-featured Webex Meetings and Events.

Streamline cloud device management

With Control Hub, your IT team can fully manage, monitor, troubleshoot, and analyze your deployment using a single, intuitive admin dashboard. It offers an at-a-glance visual inventory of video devices and Cisco or third-party peripherals, usage and occupancy metrics, device health, integrations, and workspace conditions.

Bulk configurations, automatic software upgrades, multi-tenant management, and device sensor-driven insights are all centrally accessible and can be augmented with the broader Cisco ecosystem via integration APIs to support your workspace management (Cisco Spaces) and end-to-end network monitoring (Cisco ThousandEyes) efforts.

The solution can be connected with the intuitive Cisco Room Navigator touch device so that your users can

easily access conference controls, device settings, room booking, and third-party workspace experience apps from an accessible control panel. Both the video device and Room Navigator include rich built-in sensors for presence detection and environmental monitoring to enable augmented intelligence in Control Hub around real-time and historic device usage, room occupancy, and environmental conditions.

Last but not least, the device can be used as an interactive touch screen displaying interactive 3D floor maps via Cisco Spaces that leverages data sources from across multiple technology platforms to provide a single view of workspace availability and readiness while streamlining the in-office journey. The device can be also used for digital signage to display custom content for safety, branding and internal communication purposes.

Figure 2. The wall-mount, wall-stand, floor-stand and floor-stand with wheel upgrade model of the Board Pro 75 G2



Table 1. Cisco Board Pro G2 features and benefits

FEATURE	BENEFITS
<p>Intelligent video meetings</p>	<ul style="list-style-type: none"> • Dual 4K camera featuring two 48 MP image sensors with 112 and 70-degree horizontal field of view allows for close and distant participants to be captured and framed with clarity. • Optimal framing at 1080p resolution up to 7 meters from the device • Computing engine features an NVIDIA AI chipset for advanced image, audio and language processing • Simple meeting-join experience on Cisco Rooms offering Webex Meetings and advanced third-party interoperability with Microsoft Teams (CVI, WebRTC), Zoom (SIP), and Google Meet (WebRTC). • Native support for the Microsoft Teams Rooms experience with the option to join full-featured Webex meetings and events • AI noise removal helps to keep the meeting attention on the active speaker by eliminating background noise. • Provides AI camera views: Frames for multi-participant framing, intelligent speaker view, optimized group view, and advanced manual camera controls • Supports meeting zone to define virtual meeting perimeters in order to capture and frame only meeting participants in open spaces and glass-walled rooms • AI virtual lens extension allows to extend the camera reach and frame the active speaker at high quality at the end of a long, narrow table • A beamforming microphone array automatically detects the active speaker and ensures that high quality audio is delivered to the far end • Extension with IP, USB, and analog microphones and audio systems • USB-C passthrough allows for computers to use the Cisco Board Pro G2 with any video client installed on the computer • Enjoy crystal-clear, spatial audio experience from the integrated speakers
<p>Premium presentations</p>	<ul style="list-style-type: none"> • Direct wireless sharing through Webex, Miracast, Apple AirPlay (only in native Webex Meetings), and Microsoft Teams Cast (only in MTR mode) • HDMI and USB-C input for 4K presentations (HDMI input supports HDCP) • 2x HDMI out to extend or duplicate content on external displays • Connection with an external PTZ camera to solve intelligent presenter tracking • Touch-redirect with Board Pro transforms your PC into a board-sized tablet • Pointing and live annotation on shared content in Webex Meetings elevates presentations
<p>Digital whiteboarding</p>	<ul style="list-style-type: none"> • Support for the native Webex Whiteboard and Microsoft Whiteboard (only in MTR) experiences, and secure web apps to run directly on Board Pro G2, like Office 365, Trello, Miro and Mural with the option to share and annotate on the content during meetings or local brainstorming • Write and draw with two board pens, use fingers to pinch and swipe • Access and interact with Embedded Apps, like Mural, Miro, and Slido (available in Webex Meetings) • Set up a Cisco Room device and the Board Pro G2 to work in companion mode (on Cisco Rooms)

Table 1. Cisco Board Pro G2 features and benefits

FEATURE	BENEFITS
<p>Smart integrations</p>	<ul style="list-style-type: none"> • Presence detection and People count via smart sensors, enabling analytics for better resource planning. • Tracks temperature, humidity, noise and air quality in the rooms when paired with Cisco Room Navigator. Access the information through full stack APIs. • Easily control room peripherals such as lights, room dividers, and curtains directly from the Room Navigator control unit through customizable APIs • Automatic power save allows Board Pro to enter a low-power standby state upon inactivity. • Board Pro can be easily controlled using the touch screen or with the Cisco Room Navigator • Cisco AI Assistant: for Cisco devices and Control Hub unlocks intelligent generative AI for device users • Advanced device management, troubleshooting, monitoring, configurations, and workspace analytics in Control Hub • A powerful web engine provides the ability to connect to a web-based backend to automatically display information when Board Pro is not in use. • Content displayed in signage mode can be either static or interactive, giving users the option to interact with the content displayed. • Integration with Cisco Spaces allows to display interactive 3D floor maps
<p>Performance features</p>	<ul style="list-style-type: none"> • Native screen resolution up to 4kp60 • Main video resolution up to 1080p30 (supports 60 fps when a second camera is connected) • Content sharing resolution up to 4kp15 • Up to 20 Mbps bandwidth rate for video content • Full Application Programming Interfaces (APIs) • Cisco Media Assure packet loss protection • Flexibility to register on-premises or to the cloud through Webex • Hardware is optimized to run on a cloud platform for great experiences in shared rooms and spaces, with easy access to hosted conferences • Supports Wi-Fi 6E for increased bandwidth and performance
<p>Design features</p>	<ul style="list-style-type: none"> • Combines sleek form factor, durable materials and human-centric design for ease of use and longevity. • Flexible mounting options (included wall mount or add the optional wall stand, floor stand, or floor stand with wheel-stand upgrade kit)) • Two active pens with magnetic attachment to the touch screen

Platform support

Table 2. Platform support

PRODUCT FAMILY	PLATFORM SUPPORTED
Cisco Board Pro G2	<ul style="list-style-type: none"> • Activation and connection to Webex • Native registration with Cisco Unified Communications Manager (UCM) (12.5(1) or later) or Cisco Expressway™ • Third-party H.323 gatekeepers and standards-based SIP proxies • Third-party video meeting platforms via video interoperability: Microsoft Teams (CVI, WebRTC), Google Meet (WebRTC), Zoom (SIP, via Zoom Conference Room Connector). • Microsoft Teams Rooms on Android (with the option to join full-featured Webex meetings and events).

Product specifications

Table 3. Product specifications for Cisco Board Pro G2

SPECIFICATION	DESCRIPTION
Software compatibility	<ul style="list-style-type: none"> • RoomOS 11.15 or later • Microsoft Teams Rooms on Android
Default components of the Cisco Board Pro G2	<ul style="list-style-type: none"> • Fully integrated main unit is delivered with: <ul style="list-style-type: none"> • Multi-touch 55- or 75-inch 4K LCD display • 2 x 48 MP cameras – wide and main field of view • 14-element beamforming microphone array • Integrated multi-channel speakers and woofer • 2 active pens • Wall mount kit (when wall stand or floor stand is selected, the wall mount kit is no longer included) • Power cord according to country specified in order • Lifting handles

Table 3. Product specifications for Cisco Board Pro G2

SPECIFICATION	DESCRIPTION
Optional hardware components	<ul style="list-style-type: none"> ▪ Cisco Table Microphone Pro ▪ Cisco Table Microphone (3.5mm mini jack) ▪ Cisco Ceiling Microphone (3.5mm mini jack) ▪ Cisco Room Navigator for Table ▪ Cisco Room Navigator for Wall ▪ Network, HDMI and presentation cables ▪ Cisco Active Optical USB-C Cable, 9m ▪ Wall stand, 55-inch version ▪ Wall stand, 75-inch version ▪ Floor stand, 55-inch version ▪ Floor stand, 75-inch version ▪ Wheel kit for floor stand, 55-inch version ▪ Wheel kit for floor stand, 75-inch version ▪ Cisco PTZ 4K Camera
Display	<p>55-inch/75-inch LCD monitor</p> <ul style="list-style-type: none"> ▪ Resolution: 4k UHD (3840x2160) /16:9) ▪ Display type: IPS LCD. ▪ Display size in inches: 55” or 75” ▪ Luminance: Typ 350 cd/m2 ▪ Viewing angle: +/- 89 degrees (all directions) ▪ Number of colors: 1.07 billion (10bit) ▪ Contrast: 1:1000 ▪ Response Time: 8ms
User interface	<ul style="list-style-type: none"> ▪ In-cell projected capacitive touch ▪ Optically bonded cover glass ▪ Multi-touch ▪ Active stylus-enabled ▪ Stylus-finger differentiation
Bandwidth	<ul style="list-style-type: none"> ▪ Up to 20 Mbps bandwidth rate for video content ▪ 720p30 from 768 kbps ▪ 720p60 from 1152 kbps ▪ 1080p30 from 1472 kbps ▪ 1080p60 from 2560 kbps
Firewall traversal	<ul style="list-style-type: none"> ▪ Cisco Expressway technology ▪ H.460.18, H.460.19 firewall traversal

Table 3. Product specifications for Cisco Board Pro G2

SPECIFICATION	DESCRIPTION
Video standards	<ul style="list-style-type: none"> • H.264 AVC, H.265 HEVC, H.263, AV1
Encode and decode / Supported resolution	<ul style="list-style-type: none"> • Screen: 4kp60 • Main video: Full HD 1080p30 and encoding 60 fps when a secondary camera is connected • Main video in Webex meetings (when bandwidth is set at 20 Mbps): rendering up to 4x 1080p video streams decoding a total of 4K pixels • Content sharing: 4kp15
Cameras	<p>Dual 4k integrated camera system with two 48 MP image sensors</p> <ul style="list-style-type: none"> • Automatic best view and speaker tracking • Automatic brightness and white balance • Frames multi-participant framing • Meeting zone support • 5x digital zoom • AI virtual lens extension uses software intelligence to extend camera reach in longer rooms while preserving quality (coming soon) <p>Main camera lens:</p> <ul style="list-style-type: none"> • 70° horizontal field of view, 55° vertical field of view • f/1.85 fixed aperture • 48 MP image sensor, 30 fps • Focus distance: 0.8m to infinity • 1/1.3" CMOS, Quad Bayer • Auto focus lens (VCM) <p>Wide-angle camera lens:</p> <ul style="list-style-type: none"> • 112° horizontal field of view, 94° vertical field of view • f/2.8 fixed aperture • 48 MP image sensor, 30 fps • 1/1.3" CMOS, Quad Bayer • Fixed-focus lens
Video inputs	<ul style="list-style-type: none"> • USB-C DisplayPort Alternate Mode up to 3840 x 2160p60 (4kp60) • HDMI 2.0 type A input supports formats up to 3840 x 2160p60 (4kp60) • HDMI input is compatible with HDCP

Table 3. Product specifications for Cisco Board Pro G2

SPECIFICATION	DESCRIPTION
Video outputs	<ul style="list-style-type: none"> 2x HDMI 2.0 type A up to 3840 x 2160p60 (4kp60) for screen mirroring or extension on external displays
Wireless sharing	<ul style="list-style-type: none"> Webex app (up to 3840 x 2160 at 7.5 fps, including up to 1920 x 1080 at 30 fps) Miracast (up to 1920 x 1080 at 60 fps) – Not available on Non radio version and requires Board Pro G2 to be on Ethernet network connection Apple AirPlay: <ul style="list-style-type: none"> Bluetooth® discovery (not on non-radio version) and Bonjour service discovery Screen mirroring up to 1920 x 1080 at 60 fps Extended desktop (Mac only) – up to 1920 x 1080 at 60 fps Video streaming up to 3840 x 2160 at 30 fps Microsoft Teams Cast (up to 1920 x 1080 at 15 fps) – Available only on Microsoft Teams Rooms
Network	<ul style="list-style-type: none"> 1x Ethernet (RJ-45) 10/100/1000 Mbps for LAN (external network) 1x Ethernet (RJ-45) 10/100/1000 Mbps PoE (802.3af) port with a power budget of 15.4W enabled for Cisco Room Navigator direct pairing 1x Ethernet (RJ-45) 10/100/1000 Mbps for external camera control Wi-Fi 6/6E support. Wi-Fi 802.11a/b/g/n/ac/ax (2.4, 5 and 6 GHz) – not available in non-radio versions 2x2 Multiple Input Multiple Output (MIMO) <p>Note: Due to compliance regulations, it is required to enable 802.11d in the access point for the product to operate properly within 5725 MHz – 5875 MHz. A Wi-Fi connection can be used as a flexible option. Ethernet connection is always preferred for high performance.</p> <ul style="list-style-type: none"> IPv4 Dynamic Host Configuration Protocol (DHCP)/static IPv6 (both static and stateless address auto-configuration) Network Time Protocol (NTP) HTTP(S) proxy support (for signaling, not media) Inspecting TLS proxy supported Cisco Discovery Protocol (CDP) 802.1X network authentication (passphrase or X.509 client certificate) 802.1Q virtual LAN 802.1p (Quality of Service [QoS] and Class of Service [CoS])

Table 3. Product specifications for Cisco Board Pro G2

SPECIFICATION	DESCRIPTION
<p>Sensors</p>	<ul style="list-style-type: none"> ▪ Presence detection powered by ultrasound technology embedded into the video device. Support for people count to track real-time occupancy and support space allocation ▪ General noise, ambient noise, and room acoustics (RT60) tracking with built-in sensors ▪ Environmental sensors measuring temperature, humidity, and air quality included in the Room Navigator control panel (please consult the Cisco Room Navigator datasheet for more information)
<p>Companion mode</p>	<ul style="list-style-type: none"> ▪ Supported when running Cisco Rooms, one Cisco Room Series device and one Board Pro can work together in companion mode over IP as a combined system. ▪ Users can initiate meetings using the Room Series device and use the Board Pro G2 for digital whiteboarding. Shared content is shown on both devices, and the whiteboards are shared to the room device automatically in video calls. ▪ Learn more about how to setup a Room device and a Board Pro in companion mode, and which are the recommended room setups for an optimal meeting experience.
<p>Audio standards</p>	<ul style="list-style-type: none"> ▪ Audio codecs: G.711, G.722, G.722.1, G.729, AAC-LD, and Opus ▪ Audio interop: AES67
<p>Audio features</p>	<ul style="list-style-type: none"> ▪ Acoustic Echo Cancellation (AEC) ▪ Active Lip Synchronization ▪ AI-Powered Noise Removal ▪ Automatic Gain Control (AGC) ▪ Beamforming Microphones ▪ De-Reverberation ▪ Full Duplex ▪ Full-Band Audio ▪ Noise Reduction ▪ Spatial Audio ▪ Ultrasound Technology ▪ Test microphone feature available in the RoomOS device settings allows users to record a sound sample and play it back to test speech pickup quality and noise removal settings

Table 3. Product specifications for Cisco Board Pro G2

SPECIFICATION	DESCRIPTION
<p>Audio inputs</p>	<ul style="list-style-type: none"> • 2x analog microphone inputs • 1x HDMI input • 1x USB-C • 1x USB-A • 1x Ethernet for audio over IP – default connectivity with up to 3x Cisco IP conferencing microphones. Further microphone extension with AV integrator license provides support for up to 8x Cisco IP mics or third-party networked microphone streams via AES67. Please note that connecting multiple IP microphones over Ethernet requires a PoE compatible switch, eg. CBS250, CBS350 and C1200. • Bluetooth® – Not available on No-Radio model**
<p>Audio outputs</p>	<ul style="list-style-type: none"> • 1x analog line out (stereo 3.5mm minijack) • 1x USB-C output • 1x USB-A output • 1x Ethernet for audio over IP & AES67 audio streams • Bluetooth® – Not available on No-Radio model**
<p>Microphone and loudspeaker system</p>	<ul style="list-style-type: none"> • 14-element beamforming microphone array for crystal clear speech pickup and speaker tracking. <p>Note: The internal microphone array is optimized for up to 4 meters (13 ft) from the device in small and medium-sized meeting rooms and collaboration spaces. In meeting rooms where the furthest participants are seated more than 4 meters from the device, we recommend extending audio pickup by adding external table or ceiling microphones to ensure the best audio experience. Note that room acoustics and background noise level also impact the speech pickup distance and quality in the meeting space. Consult Cisco Workspaces for guidance on best practices.</p> <ul style="list-style-type: none"> • Multi-channel loudspeaker system with high-quality full-range drivers and separate force-cancelling woofers • Loudspeaker system frequency response: 75 Hz to 20 kHz [+/- 3dB] • Max Output Sound Pressure Level: 94dB

Table 3. Product specifications for Cisco Board Pro G2

SPECIFICATION	DESCRIPTION
<p>Speaker tracking</p>	<ul style="list-style-type: none"> • Built-in microphone array for sophisticated speaker tracking • Best overview functionality auto-detects people in the room and frames them for the best group view. When someone starts to talk, the system uses audio triangulation to detect the active speaker and selects the best framing to show an optimized, prominent view of the speaker • For an optimal speaker tracking and framing experience at 1080p resolution, it is recommended that the furthest in-room participant is located within less than 7 meters from the video device.
<p>Presenter tracking</p>	<ul style="list-style-type: none"> • Requires connecting the Board Pro G2 with the Cisco PTZ 4K Camera via Ethernet and HDMI • Camera dynamically follows the local presenter within a defined zone and helps ensure an optimized view • AI-powered face and upper-body detection capability
<p>USB Passthrough / BYOD</p>	<p>Ability to provide the following over one USB-C cable to a connected computer:</p> <ul style="list-style-type: none"> • USB 2.0 type C connectivity • Extension of display (3840x2160 @60fps) - computer must support DisplayPort Alternate Mode • Touch forwarding capabilities on supported operating systems • Use Cisco Board Pro G2 camera, microphone, and speakers with any software client • Laptop charging (60W maximum) • Power output: 20V@3A (60W), 15V@3A (45W), 12V@3A (36W), 9V@3A (27W), 5V@3A (15W)
<p>Video stream layouts</p>	<ul style="list-style-type: none"> • Supporting available Webex video stream layouts and meeting features, including focus, grid, prominent, stack and overlay. For more information, please consult the Webex Help Center. • Available in Webex Meetings, People Focus provides an intelligent video layout option that removed excess floor and ceiling space, while optimizing the layout based on where people are sitting in the room, for a more equitable view of every participant in the meeting.

Table 3. Product specifications for Cisco Board Pro G2

SPECIFICATION	DESCRIPTION
<p>Web engine</p>	<ul style="list-style-type: none"> • The device is powered by RoomOS that features a Chromium-based web engine to support digital signage, WebRTC, interactive or non-interactive web-based applications added to the home screen/ touch controller user interface, embedded apps in Webex Meetings, embedded web views, enterprise content management tools, and more • The web engine supports most features expected from modern desktop browser engines, including HTML5, EcmaScript 6, CSS3, web fonts, multi-touch, SVG, canvas, iFrames, web sockets, web assembly, standard video codecs, and more. <p>Note: The web engine is mainly designed and optimized to run lightweight web applications. More advanced, full-scale web content can result in lower web app performance on the device, therefore in these scenarios we recommend running such web apps by connecting a PC with the video device via USB passthrough and interacting with the apps via touch redirect. For more information, please consult the RoomOS WebEngine Developer Guide.</p>
<p>Language support</p>	<ul style="list-style-type: none"> • Arabic, Czech, Danish, German, US English, UK English, Catalanian, Spanish, Latin-American Spanish, Finnish, French, Canadian French, Hebrew, Hungarian, Italian, Japanese, Korean, Dutch, Norwegian, Polish, Brazilian Portuguese, Portuguese, Russian, Swedish, Turkish, Ukrainian, Chinese (Simplified), Traditional Chinese
<p>System management</p>	<ul style="list-style-type: none"> • For cloud deployments, the device is managed in the Control Hub, providing a single pane of glass of system status, activation, configuration, metrics, workspace insights, and troubleshooting • For on-premises deployments, management via Cisco Unified Communications Manager or Expressway supported <ul style="list-style-type: none"> • Registration on Cisco Unified Communications Manager (CUCM) requires CUCM version 12.5(1) or later • Native registration with Cisco Expressway • Webex • Third-party H.323 Gatekeepers and standards-based SIP proxies
<p>Protocols</p>	<ul style="list-style-type: none"> • H.323 • SIP • Webex • WebRTC

Table 3. Product specifications for Cisco Board Pro G2

SPECIFICATION	DESCRIPTION
Embedded encryption	<ul style="list-style-type: none"> • H.323 and SIP point to point • Standards-based: H.235 v3 and Advanced Encryption Standard (AES-128 or 256) • Automatic key generation and exchange • Support for end-to-end encryption in Webex meetings and calls
IPv6 network support	<ul style="list-style-type: none"> • Single-call stack support for both H.323 and SIP • Dual-stack IPv4 and IPv6 for DHCP, SSH, HTTP, HTTPS, DNS, DiffServ • Support for both static and automatic IP configuration, stateless address auto configuration, and DHCPv6
Security features	<ul style="list-style-type: none"> • Secure management using HTTPS and SSH protocols • End-to-end encryption for calls and meetings on Webex • Standards-based media encryption on all back-ends (Secure Real-time Transport Protocol [SRTP], using AES-128-GCM or AES-256-GCM) • WPA3™ and WPA3-Enterprise with CCMP128 Wi-Fi® security • Password protection to access administration available on Room Navigator controller • Network settings protection
Certificate management	<ul style="list-style-type: none"> • The device comes with a manufacturer installed certificate (MIC) signed by Cisco’s manufacturing CA which can be used for Certificate Authority Proxy Function (CAPF) for secure onboarding to Cisco UCM • Option for users to install certificates with matching private keys for services such as IEEE802.1x, wifi, HTTPS server and SIP-TLS • Support for all regular certificate types and key sizes. The device comes with a pre-installed list of CAs (Certificate Authorities) that is vetted by Cisco and updated regularly. You can add or remove certificates from this list if desired. The CA list is used for outbound HTTPS and other TLS connections.
Power	<ul style="list-style-type: none"> • Electrical rating: <ul style="list-style-type: none"> - Cisco Board Pro 55 G2: 3.0–1.5 A 100–240 V 50/60 Hz, Class I - Cisco Board Pro 75 G2: 4.0–2.0 A 100–240 V 50/60 Hz, Class I • Networked standby power: 8 W typical • Standby power: 1 W typical (coming with future SW release) • Setting up Office Hours on the device allows to switch off features like signage outside of ordinary office hours, to optimize power consumption and extend screen lifetime. Outside office hours the device won’t wake up even if it detects motion in the room.

Table 3. Product specifications for Cisco Board Pro G2

SPECIFICATION	DESCRIPTION
Other ports and connectivity	<ul style="list-style-type: none"> • USB 3.0 type A port with 1.5A charging capability - for external USB microphones, DSP, keyboard, or headset • MicroUSB port • Factory reset pinhole • Bluetooth® 5.2 and Bluetooth® Low Energy **
Operating, storage and transport temperature and humidity	<ul style="list-style-type: none"> • Operating temperature: 0°C to 40°C (32°F to 104°F) ambient temperature • Operating humidity: 20% to 90% Relative Humidity (RH non-condensing) • Storage and transportation temperature (-20C to +60C) • Storage and transportation humidity (10% - 90% RH non-condensing)
Multipoint support	5-way embedded SIP/H.323 conferencing capability with MultiSite option
MultiSite features	<ul style="list-style-type: none"> • Adaptive SIP/H.323 MultiSite: <ul style="list-style-type: none"> - 3-way resolution up to 1080 at 30 fps plus content up to 4K at 15 fps - 4-way resolution up to 720 at 30 fps plus content up to 4K at 15 fps - 5-way resolution up to 720 at 30 fps plus content up to 4K at 10 fps • Full individual audio and video transcoding • H.323, SIP, and VoIP in the same conference • Support for presentation (H.239, BFCP) from any participant at resolutions up to 4kp15 • Best impression (automatic continuous presence layouts) • Encryption and dual stream from any situation
Approvals and regulatory compliance	<ul style="list-style-type: none"> • Directive 2014/30/EU (EMC Directive) - Class A - for non-radio • Directive 2014/53/EU (Radio Equipment Directive) - for radio • Directive 2014/35/EU (Low Voltage Directive) - for non-radio • Directive 2011/65/EU (RoHS) • Directive 2012/19/EU (WEEE) • NRTL approved (product safety) • FCC listed (radio equipment) • FCC CFR 47 Part 15B (EMC) - Class A • FCC CFR 47 Part 15C (RF) • FCC CFR 47 Part 15E (RF) <p>The list above reflects the regulations applicable at the time of publishing this document. For an updated list of regulations applicable, see the Product Approval Status Database for approval documents per country.</p>

Table 3. Product specifications for Cisco Board Pro G2

SPECIFICATION	DESCRIPTION
<p>Sustainability</p>	<ul style="list-style-type: none"> ▪ Circular design principles applied for product architecture, materials, and packaging ▪ Reduced amount of foam, single-use plastics and non-recyclable materials in the boxes ▪ Removal of paper copy of the installation guide from the package (except for wall-stand model) ▪ 65% Post-Consumer Recycled (PCR) plastic used in the mechanical parts originating from end-of-life devices and old electronics ▪ The video system is modular and upgradeable. It's manufactured with more sustainable, consciously chosen materials and is designed for easy repair, refurbishing, and recycling to extend the lifecycle of the product. ▪ Smart energy consumption and option to enable Office Hours to optimize energy usage and extend the lifecycle of the touch screen. ▪ Carbon Emission Insights widget in Control Hub allows to track and optimize the carbon footprint of your deployment ▪ Cisco's takeback and reuse program enables you to return your end-of-use devices for free, via a simple, secure, and sustainable process.

** The Bluetooth® word mark and logos are registered trademarks owned by Bluetooth SIG, Inc. and any use of such marks by Cisco Systems, Inc. is under license. Other trademarks and trade names are those of their respective owners.

Feature availability matrix

Table 4. Feature availability matrix on Cisco Board Pro G2

FEATURE	Cisco Rooms	Microsoft Teams Rooms	Microsoft Teams Rooms (without Control Hub registration)
Native support for Microsoft Teams Rooms meetings experience	No	Yes	Yes
Native support for the Webex Meeting experience	Yes	Yes, via One-Button-to-Push meeting join	No
Microsoft Teams Meetings with VIMT (CVI) or WebRTC / Direct Guest Join	Yes	N/A	N/A
Google Meet interop (WebRTC)	Yes	No	No
Zoom Meetings interop	Yes, feature-rich SIP meetings	Yes, SIP and WebRTC-based meetings	Yes, WebRTC-based meetings
Standards-based video interop (SIP/H.323 dialing)	Yes	Yes	No
Content sharing resolution	In active meeting: up to 3840 x 2160 at 15 fps Out of active meeting: up to 3840 x 2160 at 60 fps	In active meeting: up to 1920 x 1080 at 15 fps Out of active meeting: up to 3840 x 2160 at 60 fps	In active meeting: up to 1920 x 1080 at 15 fps Out of active meeting: up to 3840 x 2160 at 60 fps
Simultaneous content sources for local sharing (out of active video meeting)	2	2	2

Table 4. Feature availability matrix on Cisco Board Pro G2

FEATURE	Cisco Rooms	Microsoft Teams Rooms	Microsoft Teams Rooms (without Control Hub registration)
Wireless sharing options	Webex App, Miracast, Apple AirPlay	Microsoft Teams Sharing, Miracast	Microsoft Teams Sharing, Miracast
HDCP support	Yes, via HDMI input	Not supported in MTR calls. Only with local sharing and in native Webex Meetings	Not supported in MTR calls. Only with local sharing
USB passthrough	Yes	Yes	Yes
Touch redirect via USB-C	Yes, when sharing locally and in a call	Yes, when sharing locally	Yes, when sharing locally
External PTZ camera connection for presenter tracking	Yes	Yes	Yes
Additional external screen connectivity (via 2x HDMI out)	Yes	No	No
People Focus intelligent layout composition	Yes, in Webex meetings	In native Webex meetings only	No
Frames camera mode for multi-participant framing	Yes	Yes	Yes
AI noise removal	Yes	Yes	Yes
Meeting zone	Yes	Yes	Yes
Deployment options	On premises, cloud, hybrid	Cloud only	Cloud only

Table 4. Feature availability matrix on Cisco Board Pro G2

FEATURE	Cisco Rooms	Microsoft Teams Rooms	Microsoft Teams Rooms (without Control Hub registration)
Enterprise calling	Webex Calling / UCM	Teams Calling	Teams Calling
Cloud device management	Control Hub	Teams Admin Center & Control Hub	Teams Admin Center
Whiteboarding	Webex Whiteboard, with the option for third-party whiteboarding web apps	Microsoft Whiteboard (Webex Whiteboard in native Webex meetings)	Microsoft Whiteboard
Room booking	Hybrid Calendar + Room Navigator touch panel	Microsoft Teams Calendar + Room Navigator touch panel as Teams Panel	Microsoft Teams Calendar+ Room Navigator touch panel as Teams Panel
Conference controls	Hybrid Calendar + Room Navigator touch panel	Microsoft Teams Calendar + Room Navigator touch panel as Microsoft Teams Rooms Touch Console	Microsoft Teams Calendar+ Room Navigator touch panel as Microsoft Teams Rooms Touch Console
Multi-inking in whiteboarding session	Yes	Not available on the Microsoft Whiteboard. Supported on the Webex Whiteboard in native Webex Meetings.	Not available on the Microsoft Whiteboard.

Table 4. Feature availability matrix on Cisco Board Pro G2

FEATURE	Cisco Rooms	Microsoft Teams Rooms	Microsoft Teams Rooms (without Control Hub registration)
Whiteboard storage/sharing	Webex App, OneDrive, email	Storage target is dependent on Microsoft setup	Storage target in MTR based on Microsoft setup
Live annotation on content	Yes	Yes, with local sharing and in native Webex Meetings on MTR	Yes, with local sharing on MTR
Third-party apps	Yes, native web apps and embedded apps	Yes, via webviews	No
Digital signage	Yes	Yes	No
Custom controls with Macros and User Interface extensions	Yes	Yes	No
Customized branding (logos, wallpaper)	Yes	No	No
Workplace analytics in Control Hub with APIs	Yes	Yes	No
Multi-tenant device management and bulk configuration	Yes	Yes	No
Network monitoring & troubleshooting	Yes, via ThousandEyes integration in Control Hub	Yes, via ThousandEyes integration in Control Hub	No

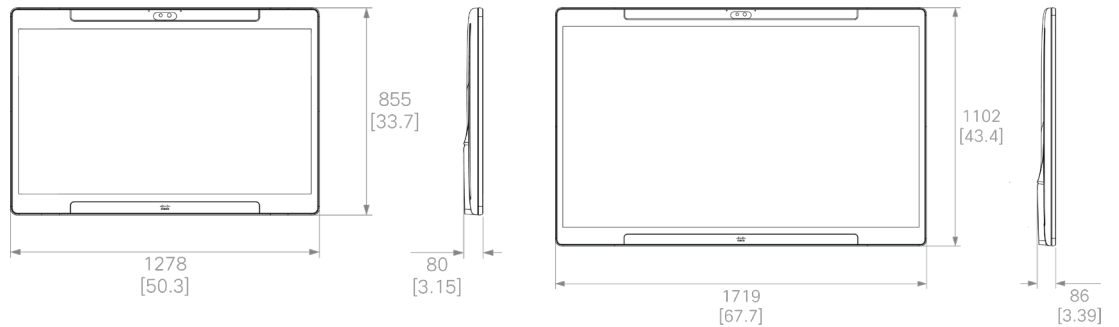
Hardware specifications

Table 5. Hardware specifications for Cisco Board Pro G2

TYPE	CISCO BOARD PRO 55 G2	CISCO BOARD PRO 75 G2
Product weight:		
Board only	40 kg	72 kg
Floor stand	27 kg	32.5 kg
Wheel base	5 kg	5.5 kg
Wall stand adapter kit	5.0 kg	10 kg
Wall mount	4.5 kg	5.8 kg

Assembled dimensions (mm [inch])

Board Pro G2 main unit



With floor stand

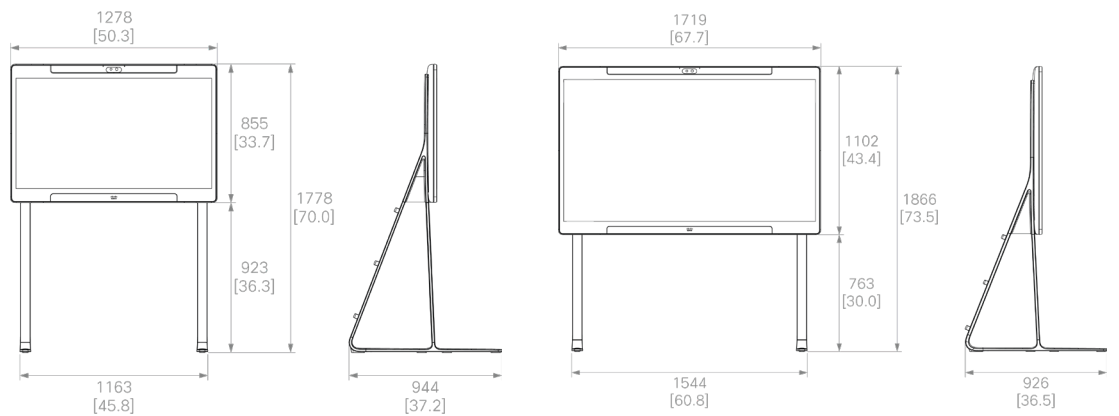


Table 5 . Hardware specifications for Cisco Board Pro G2

TYPE	CISCO BOARD PRO 55 G2	CISCO BOARD PRO 75 G2
<p>With wheel upgrade kit</p>		
<p>With wall mount</p>		
<p>With wall-stand kit - including wall-stand adapter and the wall-stand of Cisco Board 55S/70S</p>		

For further information about product dimensions, please consult the [Cisco Board Pro G2 CAD Drawings](#).

Table 5 . Hardware specifications for Cisco Board Pro G2

TYPE	CISCO BOARD PRO 55 G2	CISCO BOARD PRO 75 G2
Main unit (spare)	Package size: <ul style="list-style-type: none"> • 60 x 9.5 x 39.4 in • 1508 x 242 x 1000 mm 	Package size: <ul style="list-style-type: none"> • 77.7 x 9.5 x 51.3 in • 1974 x 242 x 1303 mm
Wall-mount kit	Package size: <ul style="list-style-type: none"> • Wall Mount Kit 55": 1282x233x117mm (50,47"x9,17"x4,61") • Spare Wall Mount Kit 55": 1282x904x261mm (50,47"x35,59"x10,28") 	Package size: <ul style="list-style-type: none"> • Wall Mount Kit 75": 1658x223x117mm (65,28"x8,78"x4,61") • Spare Wall Mount Kit 75": 1658x904x261mm (65,28"x35,59"x10,28")
Floor stand	Package size: <ul style="list-style-type: none"> • Floor Stand Kit 55": 1569x1151x189mm (61,77"x45,31"x7,44") • Spare Floor Stand Kit 55": 1569x1151x333mm (61,77"x45,31"x13,11") 	Package size: <ul style="list-style-type: none"> • Floor Stand Kit 75": 1505x1064x199mm (59,25"x41,89"x7,83") • Spare Floor Stand Kit 75": 1505x1064x343mm (59,25"x41,89"x13,5")
Wheel upgrade kit	Package size: <ul style="list-style-type: none"> • 858x328x99mm (33,78"x12,91"x3,9") 	Package size: <ul style="list-style-type: none"> • 858x328x99mm (33,78"x12,91"x3,9")
Wall-stand kit	<ul style="list-style-type: none"> • Wall-stand adapter package: 2.83"x33.15"x9.06" (72x842x230mm) • Wall-stand package for Cisco Board 55S: 36.8"x51.6"x4.7" (934x1311x119mm) 	<ul style="list-style-type: none"> • Wall-stand adapter package: 2.83"x41.85"x9.06" (72x1063x230mm) • Wall-stand package for Cisco Board 70S: 64.7"x45.8"x4.6" (1643x1164x116mm)

Ordering information

To place an order, contact your local Cisco representative and refer to Tables 6-8.

Table 6. Ordering information for Cisco Board Pro 55 G2

PRODUCT NAME	PART NUMBER	COMPLIANCE MODEL NUMBER
Cisco Board Pro 55 G2 - Main Offer Summary		
Cisco Board Pro 55 G2	CS-BRDP55-K9	TTC60-35
Cisco Board Pro 55 G2 - No-Radio	CS-BRDP55-NR-K9	TTC60-35
Cisco Board Pro 55 G2 - TAA	CS-BRDP55-K9++	TTC60-35
Cisco Board Pro 55 G2 - TAA - No-Radio	CS-BRDP55-NR-K9++	TTC60-35
Cisco Board Pro 55 G2 - Customized Model	CS-BRDP55-K9--	TTC60-35
Cisco Board Pro 55 G2 - Customized Model - No-Radio	CS-BRDP55-NR-K9--	TTC60-35
Cisco Board Pro 55 G2 - Default Box Components		
Cisco Board Pro 55 Wall Mount Kit (if floor-stand or wall-stand option is selected, the wall mount kit is not included)	CS-BRD55P-WMK	
Cisco Board Pro Active Stylus Kit (2x stylus pens with 2 extra tips)	CS-BRDP-ACTSTYL+	
Cisco Board Pro Lifting Handles (set of two used during installation)	CS-BRDP-LFTHNDL-	
Power cord (country-specific)	Part number varies by region	
Cisco Board Pro 55 G2 - Optional Configuration Components (Priced Options)		
Stand Options (if floor-stand or wall-stand option is selected, the wall mount is no longer included):		
Cisco Board Pro 55 Wall Stand (includes Wall Stand Adapter)	CS-BRD55P-WS	
Cisco Board Pro 55 Floor Stand	CS-BRD55P-FS	
Cisco Board Pro 55 Wheel Upgrade Kit	CS-BRD55P-WUK	
Cisco Board Pro Cable Management Kit	CS-BRDP-CBLMGMT-L	

Table 6. Ordering information for Cisco Board Pro 55 G2

PRODUCT NAME	PART NUMBER	COMPLIANCE MODEL NUMBER
Cisco Board Pro 55 G2 - Optional Configuration Components (Priced Options)		
Standard Cable Options:		
Active Optical USB-C Cable, USB 3.1, DP 1.4, 9m	CAB-USBC-AC-9M	
Cisco Multi-head Cable (4K, USB-C, HDMI, miniDP), 9m	CAB-HDMI-MUL4K-9M	
Presentation HDMI 1.4b Cable (w/REPEATER), 8m	CAB-PRES-2HDMI-GR	
USB-C Cable, USB 3.1 Gen 1, 1.8m	CAB-USBC-1.8M	
Ethernet CAT5E Cable - 5m - Gray	CAB-ETH-5M-GR	
Ethernet CAT5E Round Cable - 4m - Gray	CAB-CAT5E-4M	
Ethernet CAT5E Round Cable - 8m - Gray	CAB-CAT5E-8M	
Ethernet CAT5E Round Cable - 12m - Gray	CAB-CAT5E-12M	
Optional Control Device (Ethernet Cable Ordered Separately):		
Cisco Room Navigator-Table Stand, First Light (White)	CS-T10-TS-L-K9	TTC5-15
Cisco Room Navigator-Wall Mount, First Light (White)	CS-T10-WM-L-K9	TTC5-15
Microphone Options:		
Cisco Table Microphone Pro (w/attached 11m cable)	CS-MIC-ARRAY-T	TTC5-17
Cisco Table Microphone with 3.5mm Jack Plug	CS-MIC-TABLE-J	TTC5-14
Extension Cable 9m for Table Mic w/3.5mm Jack Plug	CAB-MIC-EXT-J	
Active Stylus Pen (Extra):		
Cisco Board Pro Active Stylus Kit (2x stylus pens with 2 extra tips)	CS-BRDP-ACTSTYL	

Table 6. Ordering information for Cisco Board Pro 55 G2

PRODUCT NAME	PART NUMBER	COMPLIANCE MODEL NUMBER
Cisco Board Pro 55 G2 - Spares (Ordered Separately)		
Cisco Board Pro 55 Wall Mount Kit - SPARE	CS-BRD55P-WMK=	
Cisco Board Pro 55 Wall Stand (inc. Wall Stand Adapter) - SPARE	CS-BRD55P-WS=	
Cisco Board Pro 55 Wall Stand Adapter Only - SPARE	CS-BRD55P-WSA=	
Cisco Board Pro 55 Floor Stand - SPARE	CS-BRD55P-FS=	
Cisco Board Pro 55 Wheel Upgrade Kit - SPARE	CS-BRD55P-WUK=	
Cisco Board Pro Cable Management Kit	CS-BRDP-CBLMGMT-L=	

Table 7. Ordering information for Cisco Board Pro 75 G2

PRODUCT NAME	PART NUMBER	COMPLIANCE MODEL NUMBER
Cisco Board Pro 75 G2 - Main Offer Summary		
Cisco Board Pro 75 G2	CS-BRDP75-K9	TTC60-36
Cisco Board Pro 75 G2 - No-Radio	CS-BRDP75-NR-K9	TTC60-36
Cisco Board Pro 75 G2 - TAA	CS-BRDP75-K9++	TTC60-36
Cisco Board Pro 75 G2 - TAA - No-Radio	CS-BRDP75-NR-K9++	TTC60-36
Cisco Board Pro 75 G2 - Customized Model	CS-BRDP75-K9--	TTC60-36
Cisco Board Pro 75 G2 - Customized Model - No-Radio	CS-BRDP75-NR-K9--	TTC60-36
Cisco Board Pro 75 G2 - Default Box Components		
Cisco Board Pro 75 Wall Mount Kit (if floor-stand or wall-stand option is selected, the wall mount kit is not included)	CS-BRD75P-WMK	
Cisco Board Pro Active Stylus Kit (2x stylus pens with 2 extra tips)	CS-BRDP-ACTSTYL+	

Table 7. Ordering information for Cisco Board Pro 75 G2

PRODUCT NAME	PART NUMBER	COMPLIANCE MODEL NUMBER
Cisco Board Pro Lifting Handles (set of two used during installation)	CS-BRDP-LFTHNDL-	
Power cord (country-specific)	Part number varies by region	
Cisco Board Pro 75 G2 - Optional Configuration Components (Priced Options)		
Stand Options (if floor-stand or wall-stand option is selected, the wall mount is no longer included):		
Cisco Board Pro 75 Wall Stand (includes Wall Stand Adapter)	CS-BRD75P-WS	
Cisco Board Pro 75 Floor Stand	CS-BRD75P-FS	
Cisco Board Pro 75 Wheel Upgrade Kit	CS-BRD75P-WUK	
Cisco Board Pro Cable Management Kit	CS-BRDP-CBLMGMT-L	
Standard Cable Options:		
Active Optical USB-C Cable, USB 3.1, DP 1.4, 9m	CAB-USBC-AC-9M	
Cisco Multi-head Cable (4K, USB-C, HDMI, miniDP), 9m	CAB-HDMI-MUL4K-9M	
Presentation HDMI 1.4b Cable (w/REPEATER), 8m	CAB-PRES-2HDMI-GR	
USB-C Cable, USB 3.1 Gen 1, 1.8m	CAB-USBC-1.8M	
Ethernet CAT5E Cable - 5m - Gray	CAB-ETH-5M-GR	
Ethernet CAT5E Round Cable - 4m - Gray	CAB-CAT5E-4M	
Ethernet CAT5E Round Cable - 8m - Gray	CAB-CAT5E-8M	
Ethernet CAT5E Round Cable - 12m - Gray	CAB-CAT5E-12M	
Optional Control Device (Ethernet Cable Ordered Separately):		
Cisco Room Navigator-Table Stand, First Light (White)	CS-T10-TS-L-K9	TTC5-15
Cisco Room Navigator-Wall Mount, First Light (White)	CS-T10-WM-L-K9	TTC5-15

Table 7. Ordering information for Cisco Board Pro 75 G2

PRODUCT NAME	PART NUMBER	COMPLIANCE MODEL NUMBER
Cisco Board Pro 75 G2 - Optional Configuration Components (Priced Options)		
Microphone Options:		
Cisco Table Microphone Pro (w/attached 11m cable)	CS-MIC-ARRAY-T	TTC5-17
Cisco Table Microphone with 3.5mm Jack Plug	CS-MIC-TABLE-J	TTC5-14
Extension Cable 9m for Table Mic w/3.5mm Jack Plug	CAB-MIC-EXT-J	
Active Stylus Pen (Extra):		
Cisco Board Pro Active Stylus Kit (2x stylus pens with 2 extra tips)	CS-BRDP-ACTSTYL	
Cisco Board Pro 75 G2 - Spares (Ordered Separately)		
Cisco Board Pro 75 Wall Mount Kit - SPARE	CS-BRD75P-WMK=	
Cisco Board Pro 75 Wall Stand (inc. Wall Stand Adapter) - SPARE	CS-BRD75P-WS=	
Cisco Board Pro 75 Wall Stand Adapter Only - SPARE	CS-BRD75P-WSA=	
Cisco Board Pro 75 Floor Stand - SPARE	CS-BRD75P-FS=	
Cisco Board Pro 75 Wheel Upgrade Kit - SPARE	CS-BRD75P-WUK=	
Cisco Board Pro Cable Management Kit	CS-BRDP-CBLMGMT-L=	

Table 8. Common Ordering Information for Cisco Board Pro 55 G2 and Board Pro 75 G2 software options and shared components

PRODUCT NAME	PART NUMBER	COMPLIANCE MODEL NUMBER
Software Options (Ordered Separately)		
Remote Monitoring option for Board/Board Pro	L-BOARD-RM (L-TP-RM)	

Table 8. Common Ordering Information for Cisco Board Pro 55 G2 and Board Pro 75 G2 software options and shared components

PRODUCT NAME	PART NUMBER	COMPLIANCE MODEL NUMBER
Cisco Board Pro 55/75 G2 - Software Options (Ordered Separately)		
Multisite software option (embedded) for Board/Board Pro	L-BOARD-MS (L-ROOM-PAK)	
Cisco Board Pro 55/75 G2 - Common Replacement Parts (Spares)		
Active Stylus Pen (SPARE/Replacement):		
Cisco Board Pro Active Stylus Kit (2x stylus pens with 2 extra tips) - SPARE	CS-BRDP-ACTSTYL=	
Mounting Option Parts (SPARE/Replacement):		
Cisco Board Pro Wall Mount Kit Screws - Spare	CS-BRDP-WMK- SCRW=	
Cisco Board Pro Floor Stand Screws - SPARE	CS-BRDP-FS-SCRW=	
Cisco Board Pro Wheel Upgrade Kit Screws - SPARE	CS-BRDP-WUK-SCRW=	
Cisco Board Pro 55/75 G2 - Common Components (Spares)		
PTZ 4K Camera and Components:		
Cisco PTZ 4K Camera - SPARE	CS-CAM-PTZ4K= or CS-CAM-PTZ4K-IND=	EVI-X200C
Cisco PTZ 4K Camera Mounting Bracket - SPARE	CS-PTZ4K-BRKT=	
Cisco PTZ 4K Camera Ceiling Mount - SPARE	CS-PTZ4K-CLNGMNT=	
Cisco PTZ 4K Camera Power Supply (12VDC 40W) - SPARE	PSU-12VDC-40W2= (optional if PoE+ not used)	
Power supply power cord (country-specific)	Part number varies by region	
Control Devices (Ethernet cable ordered separately):		
Cisco Room Navigator - Table Stand, First Light (White) SPARE	CS-T10-TS-L-K9=	TTC5-15

Table 8. Common Ordering Information for Cisco Board Pro 55 G2 and Board Pro 75 G2 software options and shared components

PRODUCT NAME	PART NUMBER	COMPLIANCE MODEL NUMBER
Cisco Board Pro 55/75 G2 - Common Components (Spares)		
Control Devices (Ethernet cable ordered separately):		
Cisco Room Navigator - Wall Mount, First Light (White) SPARE	CS-T10-WM-L-K9=	TTC5-15
Microphones:		
Cisco Table Microphone Pro (w/attached 11m cable) - SPARE	CS-MIC-ARRAY-T=	TTC5-17
Cisco Table Microphone with 3.5mm Jack Plug - SPARE	CS-MIC-TABLE-J=	TTC5-14
Extension Cable 9m for Table Mic w/3.5mm Jack Plug - SPARE	CAB-MIC-EXT-J=	
Cisco Ceiling Microphone Gen 2 - SPARE	CTS-MIC-CLNG-G2=	TTC5-13
Shielded Ethernet Cable, not plenum rated, 10m - SPARE	CAB-ETHRSHLD-10M=	
Presentation Cables:		
Active Optical USB-C Cable, USB 3.1, DP 1.4, 9m - SPARE	CAB-USBC-AC-9M=	
Cisco Multi-head Cable (4K, USB-C, HDMI, miniDP), 9m - SPARE	CAB-HDMI-MUL4K- 9M=	
Presentation HDMI 1.4b Cable (w/REPEATER), 8m - SPARE	CAB-PRES-2HDMI-GR=	
USB-C Cable, USB 3.1 Gen 1, 1.8m - SPARE	CAB-USBC-1.8M=	
Ethernet Cables:		
Ethernet CAT5E Cable - 5m - Gray - SPARE	CAB-ETH-5M-GR=	
Ethernet CAT5E Round Cable - 4m - Gray - SPARE	CAB-CAT5E-4M=	
Ethernet CAT5E Round Cable - 8m - Gray -SPARE	CAB-CAT5E-8M=	
Ethernet CAT5E Round Cable - 12m - Gray -SPARE	CAB-CAT5E-12M=	

Warranty information

Cisco Board Pro G2 has a 90-day limited liability warranty.

Product sustainability

Information about Cisco’s environmental sustainability policies and initiatives for our products, solutions, operations, and extended operations or supply chain is provided in the “Environment Sustainability” section of Cisco’s [Corporate Social Responsibility](#) (CSR) Report.

Reference links to information about key environmental sustainability topics (mentioned in the “Environment Sustainability” section of the CSR Report) are provided in the following table:

SUSTAINABILITY TOPIC	REFERENCE
Information on product material content laws and regulations	Materials
Information on electronic waste laws and regulations, including products, batteries, and packaging	WEEE compliance

Cisco makes the packaging data available for informational purposes only. It may not reflect the most current legal developments, and Cisco does not represent, warrant, or guarantee that it is complete, accurate, or up to date. This information is subject to change without notice.

Cisco services and support

Cisco and our partners provide a broad portfolio of smart, personalized services and support that can help you realize the full business value of your Cisco collaboration investment by increasing business agility and network availability. This portfolio of services accelerates business innovation by harnessing the network as a powerful business platform.

For more information about these services, visit: <https://www.cisco.com/go/collaborationservices>.

Cisco Capital

Cisco Capital® financing makes it easier to get the right technology to achieve your objectives, enable business transformation, and help you stay competitive. We can help you reduce the total cost of ownership, conserve capital, and accelerate growth. In more than 100 countries, our flexible payment solutions can help you acquire hardware, software, services, and complementary third-party equipment in easy, predictable payments. [Learn more.](#)

July 2024

For more information

Learn more about the [Cisco Board Pro G2](#)
 Visit [Cisco Workspaces](#)