



# Cisco DOCSIS®/EuroDOCSIS™ Transponder for GainMaker Node Mounting Instructions

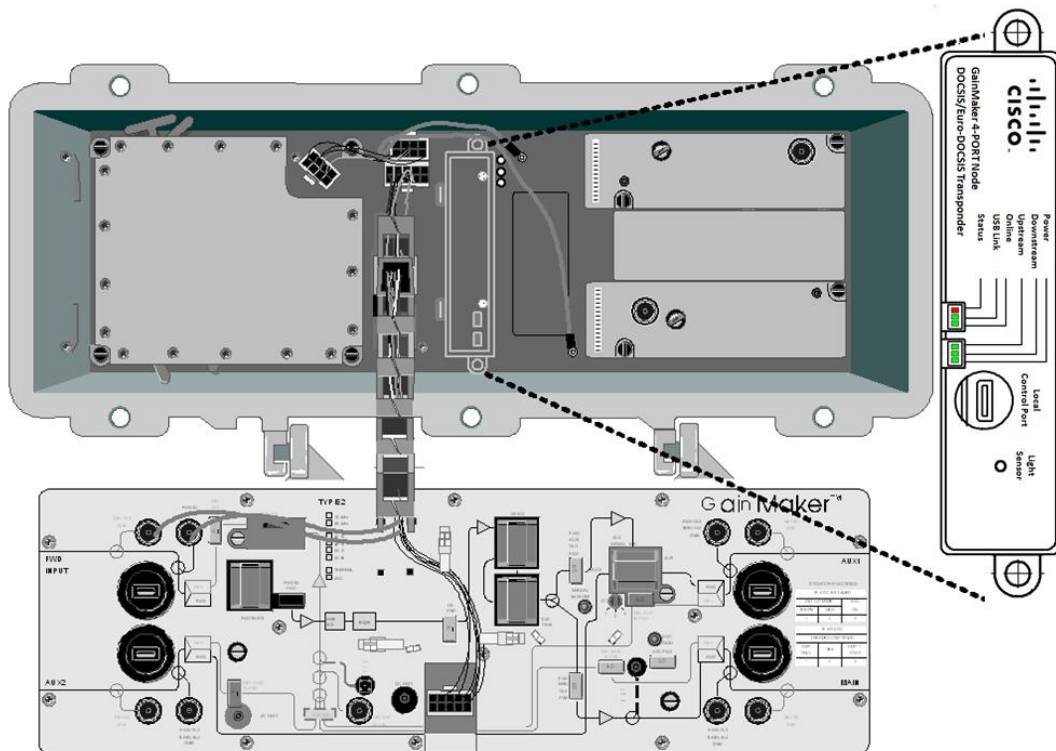
## Introduction

This document provides instructions for mounting the Cisco DOCSIS/EuroDOCSIS Transponder for Cisco GainMaker Node.

For complete information on Safety Instructions, Installation and Operation of the transponder, see the *Cisco DOCSIS®/EuroDOCSIS™ Transponder for GainMaker Node Installation and Operation Guide (I&O Guide)*, part number 4042915.

## Transponder Mounting Location

The transponder module mounts in the lid of the GainMaker node housing. The transponder mounting location is shown below.



**Note:** You must mount the transponder module in the GainMaker Node housing before you can configure it.



### WARNING:

**Confirm the correct transponder type for your GainMaker Node before installation! Damage may be caused by mounting the wrong type of transponder! Refer to the table below for details.**

Description	Part Number
DOCSIS®/EuroDOCSIS™ Transponder for GainMaker 4-Port Node	4039676
DOCSIS®/EuroDOCSIS™ Transponder for all other GainMaker Nodes	4039677

# Cisco DOCSIS®/EuroDOCSIS™ Transponder for Gainmaker Node Mounting Instructions

## To Mount the Transponder

### Mounting Steps:

1. Open the GainMaker node housing. Note the position and orientation of the transponder in the lid of the housing.



#### WARNING:

Protect yourself from electric shock and your system from damage. Take precautions when working with this equipment. Certain components can deliver electrical shock or cause burns.

2. Position the transponder module with the Cisco label facing you. Align the connectors on the other side of the transponder module with the mating connectors on the interface board. Use the two tabs on the other side of the transponder as a guide to position the transponder module correctly.

**Note:** If the transponder is mounted to the GainMaker in an operating HFC system, certain LEDs will flash to display the startup process, the upstream and downstream status. See the **Checking the LEDs** section the I&O Guide for details.

3. Push down on the module of the transponder module until it clicks into place.
4. Tighten the two module retaining screws on the transponder to 6.2 in-lb (0.7 Nm).

## Support Telephone Number

This table lists the Technical Support and Customer Service numbers for your area.

Region	Centers	Customer Service Numbers
North America	USA	Toll-free: 1-800-722-2009
Europe, Middle East, Africa	Belgium	Telephone: 32-56-445-444
Japan	Japan	Telephone: 81-3-5908-2153 or +81-3-5908-2154
Korea	Korea	Telephone: 82-2-3429-8800
China (mainland)	China	Telephone: 86-800-8108886 Press 4 at the prompt
Other Asia-Pacific countries, Australia	Hong Kong	Telephone: 852-2588-4746
Brazil	Brazil	Telephone: 11-55-08-9999
Mexico, Central America, Caribbean	Mexico	Telephone: 52-55-50-81-8425
All other Latin America countries	Argentina	Telephone: 770-236-5662



Cisco Systems, Inc.  
5030 Sugarloaf Parkway, Box 465447  
Lawrenceville, GA 30042

678 277-1120  
800 722-2009  
www.cisco.com

Cisco and the Cisco logo are trademarks or registered trademarks of Cisco and/or its affiliates in the U.S. and other countries.

A listing of Cisco's trademarks can be found at [www.cisco.com/go/trademarks](http://www.cisco.com/go/trademarks).

Third party trademarks mentioned are the property of their respective owners.

The use of the word partner does not imply a partnership relationship between Cisco and any other company.(1009R)

Product and service availability are subject to change without notice.

© 2012 Cisco and/or its affiliates. All rights reserved.  
September 2012

Part Number 4042916 Rev B