

Cisco Webex Room 70 Panorama

Spare Parts List



This document lists all spare parts and cables that may be ordered for the *Cisco Webex Room 70 Panorama* systems. Part numbers (PIDs) are included for all items.

Products covered in this guide:

- Cisco Webex Room 70 Panorama
(all mounting options)

This guide lists all spare parts and cables that may be ordered for this product. Part numbers (PIDs) are included for all items.

Ordering information

To place an order, please contact your local Cisco representative or Cisco partner and refer to part numbers as listed in this document.

Cisco service and support

Cisco and our partners provide a broad portfolio of smart, personalized services and support. For more information about these services, visit:

<https://www.cisco.com/go/collaborationservices>

Contents

Ordering information	3
Spare parts	4
Floor stand kit and Wall mount kit details.....	6
Cables	8
Region-specific power cables	9
Speaker cable overview.....	10
Spare part replacement	11
Cisco contacts	12

Ordering information

To place an order, please contact your local Cisco representative or Cisco partner and refer to part numbers as listed in this document.

These are the part numbers (PIDs) for complete systems:

- CS-ROOM70-PANO-K9
- CS-ROOM70P-NR-K9 (no-radio)
- CS-ROOM70P-NR-K7 (no-encryption, no-radio)
- CS-R70P-UPG-BUN (upgrade kit for upgrading Cisco Webex Room 70 Dual G2 to Cisco Webex Room 70 Panorama)

The part numbers (PIDs) for spare parts and cables are shown in the tables on the following pages.

Spare parts (page 1 of 2)

Part number (PID)

CS-R70-PRES-TOP=	Mounting kit for 65" content screen above the main screens
CS-R70-PRES-BTM=	Mounting kit for 55" content screen below the main screens
CS-PANO-MON55=	Samsung 55" screen (content screen)
CS-PANO-MON65=	Samsung 65" screen (content screen)
CS-ROOM70P-FSK=	Floor Stand Kit for a free standing Room 70 Panorama with content screen below the main screens
CS-ROOM70P-SFSK=	Floor Stand Kit for a free standing or wall-secured Room 70 Panorama with content screen above the main screens
CS-ROOM70P-WMK=	Wall Mount Kit for Room 70 Panorama with content screen above the main screens
CS-MON82-REMOTE=	Remote control for the Samsung 55" and 65" screens
CS-RQUADCAM=	Quad Camera for Room 70 Panorama
CS-RCODPRO-K9=	Codec Pro for Room 70 Panorama
CS-RCODPRO-NR-K9=	Codec Pro for Room 70 Panorama, no-radio version
CS-RCODPRO-NR-K7=	Codec Pro for Room 70 Panorama, no-encryption and no-radio version
CTS-MX-FSK-SKI=	Skis (feet) for freestanding Room 70 Panorama (also included in CS-ROOM70P-FSK= and CS-ROOM70P-SFSK=)
CS-ROOM55-70-WSB=	One wall secure bracket for Room 70 Panorama. You need two brackets for a dual screen system like Room 70 Panorama (also included in CS-ROOM70P-FSK= and CS-ROOM70P-SFSK=)
CS-ROOM70D-MON-L=	Left screen (without codec, loudspeakers, antennas, covers, and cables)
CS-ROOM70D-MON-R=	Right screen (without loudspeakers, covers, and cables)
CS-ROOM70D-MB=	Upper joining bracket for monitors (jack)
CS-ROOM70-MON-SCV=	Two side covers (left and right) for the monitors
CS-ROOM70-CFBB=	Center frame bottom bracket (also included in CS-ROOM70P-FSK= and CS-ROOM70P-SFSK=)
CS-ROOM55-70-CFBC=	Center frame bottom cover (also included in CS-ROOM70P-FSK= and CS-ROOM70P-SFSK=)
CS-ROOM70D-CAMCV=	Top rear cover, center top profile, and rear center cover
CS-ROOM70D-FS-GRK=	Floor stand grille kit (both speaker grille and lower grille)
CS-ROOM70D-WM-GRK=	Wall mount grille kit (both speaker grille and lower grille)
CTS-MX700800-SPKR= ¹	One loudspeaker (first version)
CS-R70-R55D-SPKR= ¹	One loudspeaker (new version, introduced in early 2021)
FAN-ROOM70-2PK=	Two fans and air-out duct
ANT-ROOM70-KIT=	Two antennas with brackets

¹ We introduced a new version of the loudspeaker in early 2021. If your video system has the first version, you can replace it with either CTS-MX700800-SPKR= or CS-R70-R55D-SPKR=. If your system has the new version, you must use CS-R70-R55D-SPKR=.

Spare parts (page 2 of 2)

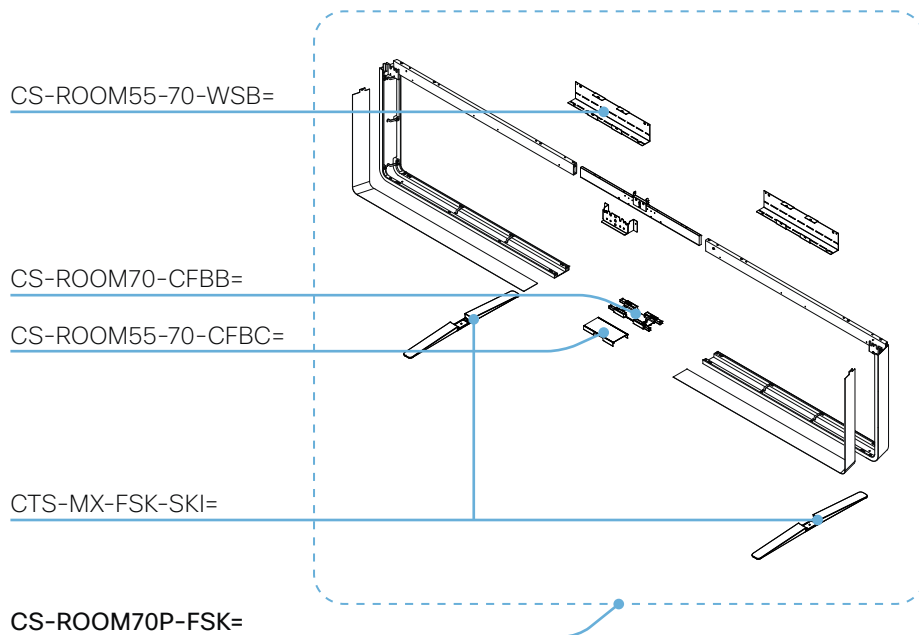
Part number (PID)	
C1000-16FP-2G-L	Ethernet switch, Cisco Catalyst 1000-16FP-2G-L
CMP-MGNT-TRAY=	Mounting tray for the Ethernet switch (screws included)
CS-T10-TS-K9= ²	Room Navigator (10 inch touch user interface), without cable (introduced early 2021)
CS-TOUCH10= ²	Touch 10 (10 inch touch user interface), without cable
CS-MIC-TABLE-E=	Cisco Table Microphone (including cable with Euroblock connector)
CS-MIC-ARRAY-T=	Cisco Microphone Array (including cable with RJ-45 connector)
CS-ROOM70-SCRWKIT=	Screws and tool kit. One kit covers one video system, either on a freestanding floor stand, wall secured floor stand, or wall mounted. Screws for the content screen mounting kits are not included)

² We introduced the Room Navigator in early 2021. Both Touch 10, which was included in the earlier shipments, and the Room Navigator can be used. The Room Navigator requires your video system to run RoomOS or software version CE9.14 or later.

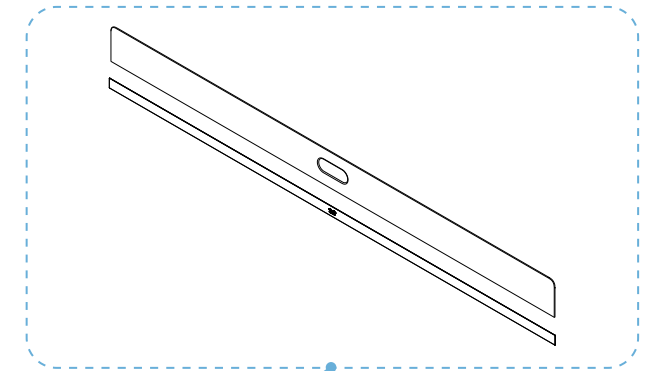
Floor stand kit and Wall mount kit details (page 1 of 2)

If you have a wall mounted Room 70 Panorama, you have to order the following parts in order to change to one of the floor standing options:

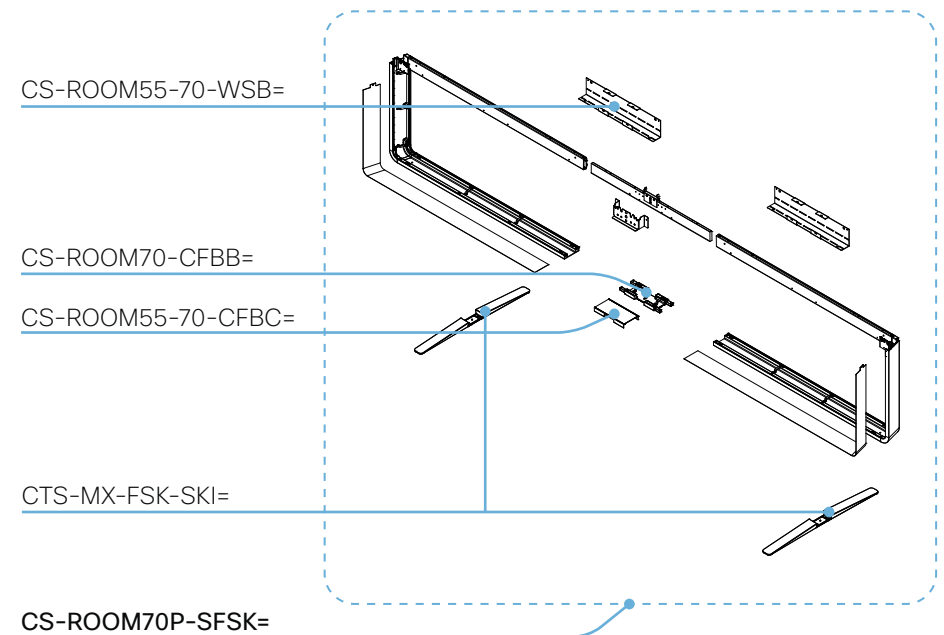
- Floor stand kit (CS-ROOM70P-FSK= or CS-ROOM70P-SFSK=)
- Floor stand grille kit (CS-ROOM70D-FS-GRK=)



For Room 70 Panorama with the **content screen below** the main screens. This stand is higher than the other stand. For ergonomic reasons, we don't recommend using this stand for systems with a 65" content screen above the main screens, even if the ceiling height should allow for it.



CS-ROOM70D-FS-GRK=

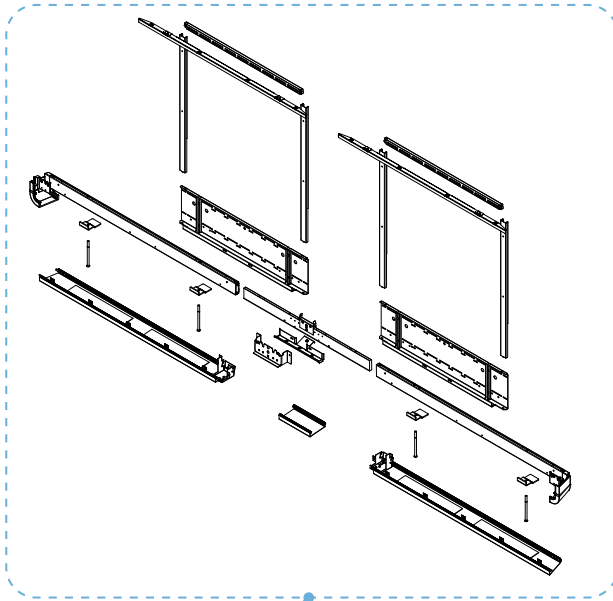


For Room 70 Panorama with the **content screen above** the main screens. This stand is lower than the other stand, and cannot be used with the 55" content screen below the main screens.

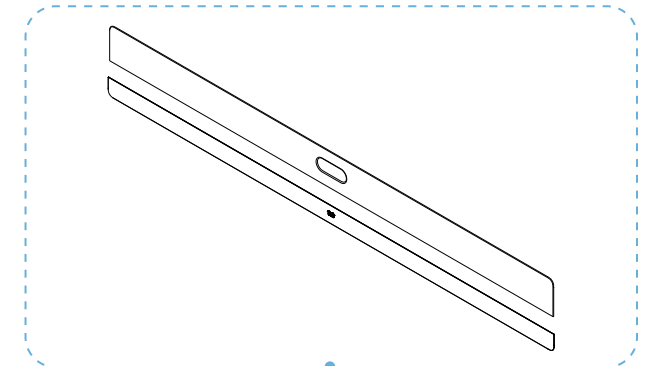
Floor stand kit and Wall mount kit details (page 2 of 2)

If you have a Room 70 Panorama that is mounted on a floor stand, you have to order the following parts in order to change to the wall mounted option:

- Wall mount kit (CS-ROOM70P-WMK=)
- Wall mount grille kit (CS-ROOM70D-WM-GRK=)



CS-ROOM70P-WMK=



CS-ROOM70D-WM-GRK=

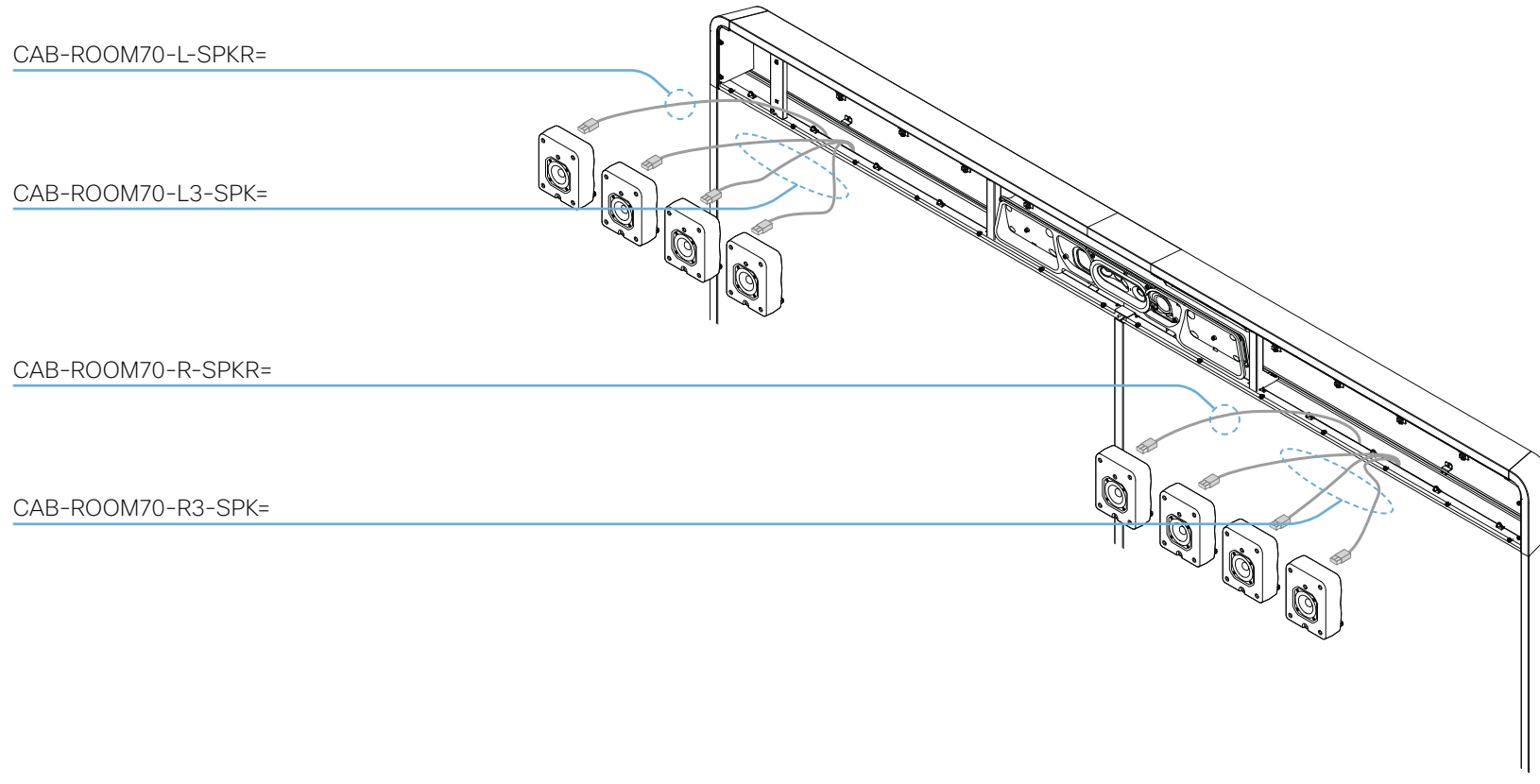
Cables

Part number (PID)	Part description	Number printed on cable
CAB-2DC-BRL-0.93M=	DC power cable w/barrel plug, 0.93 m (screen to camera)	72-101338-xx
CAB-2HDMI-2.06M=	HDMI to HDMI cable, 2.06 m (codec to camera)	72-101333-xx
CAB-ETHRJ45-2.20M=	Ethernet cable, RJ45, 2.20 m (codec to camera)	72-101330-xx
CAB-2HDMILK-1.15M=	HDMI to HDMI cable, angled connector, 1.15 m (codec to left screen)	72-101557-xx
CAB-2HDMILK-2.78M=	HDMI to HDMI cable, angled connector, 2.78 m (codec to right screen)	72-101558-xx
CAB-2HDMI-4M-GR=	HDMI 2.0 cable, grey, 4 m (codec to content screen)	72-101809-xx
CAB-USB-A-B-1.35M=	USB A to USB B cable, 1.35 m (codec to left screen)	72-101335-xx
CAB-USB-A-B-1.7M=	USB A to USB B cable, 1.7 m (left to right screen)	72-100851-xx
CAB-ROOM70-L3-SPK=	Left speaker cable (3 speakers)	72-101328-xx
CAB-ROOM70-R3-SPK=	Right speaker cable (3 speakers)	72-101326-xx
CAB-ROOM70-L-SPKR=	Left speaker cable (1 speaker)	72-101329-xx
CAB-ROOM70-R-SPKR=	Right speaker cable (1 speaker)	72-101327-xx
PWR-CAB-INT-0.2M=	Internal power cord, 0.2 m (main to codec), not for Japan	37-100960-xx
PWR-CAB-JPN-0.2M=	Internal power cord for Japan, 0.2 m (main to codec)	37-101000-xx
PWR-CAB-INT-0.7M=	Internal power cord, 0.6 m (between screens), not for Japan	37-101030-xx
PWR-CAB-JPN-0.7M=	Internal power cord for Japan, 0.6 m (between screens)	37-101031-xx
CAB-ETH-5M-GR=	Ethernet cable, grey, 5 m (codec to content screen, codec to LAN)	72-101005-xx
CAB-ETH-8M-GR=	Ethernet cable, grey, 8 m (between codec and Ethernet switch)	72-101848-xx
CAB-PRES-2HDMI-GR=	Presentation cable, HDMI to HDMI, 4K capable, grey, 8 m	72-101034-xx
CAB-DV10-12.5=	Ethernet cable for Touch 10 / Room Navigator, flat, grey, 12.5 m	72-100706-xx
CAB-DV10-4M=	Ethernet cable for Touch 10 / Room Navigator, flat, grey, 4 m	72-100707-xx
CAB-MIC-EXT-E=	Extension cable for Table Microphone (Euroblock), 9 m	74-100624-xx

Region-specific power cables

Part number (PID)	Part description	Part number (PID)	Part description	Part number (PID)	Part description
PWR-CORD-ARG-F=	Power cord (C13, 5 m, 10 A) for Argentina	CAB-PWR-C7-ARG-A=	Power cord (C7, right angled, 4.5 m) for Argentina	CAB-PWR-C15-ARG-A=	Power cord (C15, 2.5 m, 10 A) for Argentina
PWR-CORD-AUS-F=	Power cord (C13, 5 m, 10 A) for Australia	CAB-PWR-C7-AUS-A=	Power cord (C7, right angled, 4.5 m) for Australia	CAB-PWR-C15-AUS-A=	Power cord (C15, 2.5 m, 10 A) for Australia
PWR-CORD-BRA-F=	Power cord (C13, 5 m, 10 A) for Brazil	CAB-PWR-C7-BRA-A=	Power cord (C7, right angled, 4.5 m) for Brazil	CAB-PWR-C15-BRA-A=	Power cord (C15, 2.5 m, 10 A) for Brazil
PWR-CORD-CHE-F=	Power cord (C13, 5 m, 10 A) for Switzerland	CAB-PWR-C7-CHE-A=	Power cord (C7, right angled, 4.5 m) for Switzerland	CAB-PWR-C15-CHE-A=	Power cord (C15, 2.5 m, 10 A) for Switzerland
PWR-CORD-CHN-F=	Power cord (C13, 5 m, 10 A) for China	CAB-PWR-C7-CHN-A=	Power cord (C7, right angled, 4.5 m) for China	CAB-PWR-C15-CHN-A=	Power cord (C15, 2.5 m, 10 A) for China
PWR-CORD-DNK-F=	Power cord (C13, 5 m, 10 A) for Denmark	CAB-PWR-C7-DNK-A=	Power cord (C7, right angled, 4.5 m) for Denmark	CAB-PWR-C15-DNK-A=	Power cord (C15, 2.5 m, 10 A) for Denmark
PWR-CORD-EUR-F=	Power cord (C13, 5 m, 10 A) for Europe	CAB-PWR-C7-EUR-A=	Power cord (C7, right angled, 4.5 m) for Europe	CAB-PWR-C15-EUR-A=	Power cord (C15, 2.5 m, 10 A) for Europe
PWR-CORD-GBR-F=	Power cord (C13, 5 m, 10 A) for United Kingdom	CAB-PWR-C7-GBR-A=	Power cord (C7, right angled, 4.5 m) for United Kingdom	CAB-PWR-C15-GBR-A=	Power cord (C15, 2.5 m, 10 A) for United Kingdom
PWR-CORD-IND-F=	Power cord (C13, 5 m, 10 A) for India	CAB-PWR-C7-IND-A=	Power cord (C7, right angled, 4.5 m) for India	CAB-PWR-C15-IND-A=	Power cord (C15, 2.5 m, 10 A) for India
PWR-CORD-ISR-F=	Power cord (C13, 5 m, 10 A) for Israel	CAB-PWR-C7-ISR-A=	Power cord (C7, right angled, 4.5 m) for Israel	CAB-PWR-C15-ISR-A=	Power cord (C15, 2.5 m, 10 A) for Israel
PWR-CORD-ITA-F=	Power cord (C13, 5 m, 10 A) for Italy	CAB-PWR-C7-ITA-A=	Power cord (C7, right angled, 4.5 m) for Italy	CAB-PWR-C15-ITA-A=	Power cord (C15, 2.5 m, 10 A) for Italy
PWR-CORD-JPN-F=	Power cord (C13, 5 m, 10 A) for Japan	CAB-PWR-C7-JPN-A=	Power cord (C7, right angled, 4.5 m) for Japan	CAB-PWR-C15-JPN-A=	Power cord (C15, 2.5 m, 10 A) for Japan
PWR-CORD-KOR-F=	Power cord (C13, 5 m, 10 A) for South Korea	CAB-PWR-C7-KOR-A=	Power cord (C7, right angled, 4.5 m) for South Korea	CAB-PWR-C15-KOR-A=	Power cord (C15, 2.5 m, 10 A) for South Korea
PWR-CORD-TWN-F=	Power cord (C13, 5 m, 10 A) for Taiwan	CAB-PWR-C7-TWN-A=	Power cord (C7, right angled, 4.5 m) for Taiwan	CAB-PWR-C15-TWN-A=	Power cord (C15, 2.5 m, 10 A) for Taiwan
PWR-CORD-USA-F=	Power cord (C13, 4.5 m, 10 A) for United States of America	CAB-PWR-C7-USA-A=	Power cord (C7, right angled, 4.5 m) for United States of America	CAB-PWR-C15-USA-A=	Power cord (C15, 2.5 m, 10 A) for United States of America
PWR-CORD-ZAF-F=	Power cord (C13, 5 m, 10 A) for South Africa	CAB-PWR-C7-ZAF-A=	Power cord (C7, right angled, 4.5 m) for South Africa	CAB-PWR-C15-ZAF-A=	Power cord (C15, 2.5 m, 10 A) for South Africa

Speaker cable overview



Spare part replacement

The following documents are useful when replacing parts.

<https://www.cisco.com/c/en/us/support/collaboration-endpoints/spark-room-kit-series/products-maintenance-guides-list.html>

- Cisco Webex Room 55 Dual, Room 70, and Room 70 G2 Spare Parts Replacement Guide
- Cisco Webex Room 70 Panorama Wiring Diagram

<https://www.cisco.com/go/panorama-installation>

- Cisco Webex Room 70 Panorama with Floor Stand and Content Screen Above Installation Guide
- Cisco Webex Room 70 Panorama with Wall Mount and Content Screen Above Installation Guide
- Cisco Webex Room 70 Panorama with Floor Stand and Content Screen Below Installation Guide
- Cisco Webex Room 70D Panorama Upgrade Installation Guide

Cisco contacts

On our web site you will find an overview of the worldwide Cisco contacts.

Go to: <https://www.cisco.com/go/offices>

Corporate Headquarters
Cisco Systems, Inc.
170 West Tasman Dr.
San Jose, CA 95134 USA

Intellectual property rights

THE SPECIFICATIONS AND INFORMATION REGARDING THE PRODUCTS IN THIS MANUAL ARE SUBJECT TO CHANGE WITHOUT NOTICE. ALL STATEMENTS, INFORMATION, AND RECOMMENDATIONS IN THIS MANUAL ARE BELIEVED TO BE ACCURATE BUT ARE PRESENTED WITHOUT WARRANTY OF ANY KIND, EXPRESS OR IMPLIED. USERS MUST TAKE FULL RESPONSIBILITY FOR THEIR APPLICATION OF ANY PRODUCTS.

THE SOFTWARE LICENSE AND LIMITED WARRANTY FOR THE ACCOMPANYING PRODUCT ARE SET FORTH IN THE INFORMATION PACKET THAT SHIPPED WITH THE PRODUCT AND ARE INCORPORATED HEREIN BY THIS REFERENCE. IF YOU ARE UNABLE TO LOCATE THE SOFTWARE LICENSE OR LIMITED WARRANTY, CONTACT YOUR CISCO REPRESENTATIVE FOR A COPY.

The Cisco implementation of TCP header compression is an adaptation of a program developed by the University of California, Berkeley (UCB) as part of UCB's public domain version of the UNIX operating system. All rights reserved. Copyright © 1981, Regents of the University of California.

NOTWITHSTANDING ANY OTHER WARRANTY HEREIN, ALL DOCUMENT FILES AND SOFTWARE OF THESE SUPPLIERS ARE PROVIDED "AS IS" WITH ALL FAULTS. CISCO AND THE ABOVE-NAMED SUPPLIERS DISCLAIM ALL WARRANTIES, EXPRESSED OR IMPLIED, INCLUDING, WITHOUT LIMITATION, THOSE OF MERCHANTABILITY, FITNESS FOR A PARTICULAR PURPOSE AND NONINFRINGEMENT OR ARISING FROM A COURSE OF DEALING, USAGE, OR TRADE PRACTICE.

IN NO EVENT SHALL CISCO OR ITS SUPPLIERS BE LIABLE FOR ANY INDIRECT, SPECIAL, CONSEQUENTIAL, OR INCIDENTAL DAMAGES, INCLUDING, WITHOUT LIMITATION, LOST PROFITS OR LOSS OR DAMAGE TO DATA ARISING OUT OF THE USE OR INABILITY TO USE THIS MANUAL, EVEN IF CISCO OR ITS SUPPLIERS HAVE BEEN ADVISED OF THE POSSIBILITY OF SUCH DAMAGES.

Any Internet Protocol (IP) addresses and phone numbers used in this document are not intended to be actual addresses and phone numbers. Any examples, command display output, network topology diagrams, and other figures included in the document are shown for illustrative purposes only. Any use of actual IP addresses or phone numbers in illustrative content is unintentional and coincidental.

All printed copies and duplicate soft copies are considered un-Controlled copies and the original on-line version should be referred to for latest version.

Cisco has more than 200 offices worldwide. Addresses, phone numbers, and fax numbers are listed on the Cisco website at www.cisco.com/go/offices.

Cisco and the Cisco logo are trademarks or registered trademarks of Cisco and/or its affiliates in the U.S. and other countries. To view a list of Cisco trademarks, go to this URL: www.cisco.com/go/trademarks. Third-party trademarks mentioned are the property of their respective owners. The use of the word partner does not imply a partnership relationship between Cisco and any other company. (1110R)

Cisco product security overview

This product contains cryptographic features and is subject to United States and local country laws governing import, export, transfer, and use. Delivery of Cisco cryptographic products does not imply third-party authority to import, export, distribute, or use encryption. Importers, exporters, distributors, and users are responsible for compliance with U.S. and local country laws. By using this product you agree to comply with applicable laws and regulations. If you are unable to comply with U.S. and local laws, return this product immediately.

Further information regarding U.S. export regulations may be found at <http://www.bis.doc.gov/policiesandregulations/ear/index.htm>.