



Cisco Compute Hyperconverged with Nutanix

HCIX210c M7 All-NVMe Node

A printed version of this document is only a copy and not necessarily the latest version. Refer to the following link for the latest released version:

<https://www.cisco.com/c/en/us/products/hyperconverged-infrastructure/compute-hyperconverged/datasheet-listing.html>

OVERVIEW	3
DETAILED VIEWS	5
Cisco Compute Hyperconverged HCIX210c M7 All-NVMe Node Front View	5
CISCO COMPUTE HYPERCONVERGED NODE STANDARD CAPABILITIES and FEATURES 6	
CONFIGURING the CISCO COMPUTE HYPERCONVERGED HCIX210C M7 ALL-NVME NODE 8	
STEP 1 CHOOSE BASE CISCO COMPUTE HYPERCONVERGED NODE SKU	9
STEP 2 CHOOSE CPU(S)	10
STEP 3 CHOOSE MEMORY	15
Memory configurations and mixing rules	18
STEP 4 CHOOSE REAR mLOM ADAPTER	22
STEP 5 CHOOSE OPTIONAL REAR MEZZANINE VIC/BRIDGE ADAPTERS	26
STEP 6 CHOOSE FRONT MEZZANINE ADAPTER	28
STEP 7 CHOOSE OPTIONAL GPU PCIe NODE	29
STEP 8 CHOOSE OPTIONAL GPUs	30
STEP 9 CHOOSE DRIVES	31
Select Drives - HCIX210C-M7SN (All-NVMe)	31
STEP 10 ORDER M.2 SATA SSDs AND RAID CONTROLLER	32
STEP 11 CHOOSE OPTIONAL TRUSTED PLATFORM MODULE	33
STEP 12 SELECT HYPERVISOR	34
STEP 13 SELECT NUTANIX SOFTWARE AND NUTANIX PROFESSIONAL SERVICES	35
Top Level Nutanix Software And Professional Services PIDs	36
Nutanix Software And Professional Services PID Decoder	38
Nutanix Software PIDs and Description	39
Professional Services PIDs and Description	72
Nutanix Support:	82
Software With Professional Services PID Mapping	83
SUPPLEMENTAL MATERIAL	93
Simplified Block Diagram	93
System Board	95
UPGRADING or REPLACING CPUs and Memory	96
5TH GEN INTEL XEON BENEFIT PILLARS	97
Intel® Xeon® Processors Notices and Disclaimers	98
LEADERSHIP PERFORMANCE WITH 4TH GEN INTEL® XEON® PROCESSORS . . .	99
Intel® Xeon® Processors Notices and Disclaimers	100
TECHNICAL SPECIFICATIONS	101
Dimensions and Weight	101
Environmental Specifications	101

OVERVIEW

The Cisco Compute Hyperconverged X-Series Modular System simplifies your data center, adapting to the unpredictable needs of modern applications while also providing for traditional scale-out and enterprise workloads. It reduces the number of server types to maintain, helping to improve operational efficiency and agility as it helps reduce complexity. Powered by the Cisco Intersight™ cloud operations platform, it shifts your thinking from administrative details to business outcomes with hybrid cloud infrastructure that is assembled from the cloud, shaped to your workloads, and continuously optimized.

The Cisco Compute Hyperconverged HCIX210c M7 All-NVMe Node is integrate into the Cisco Compute Hyperconverged X-Series Modular System. Up to eight Cisco Compute Hyperconverged Nodes can reside in the 7-Rack-Unit (7RU) Cisco Compute Hyperconverged 9508 Chassis, offering one of the highest densities of compute, IO, and storage per rack unit in the industry.

The Cisco Compute Hyperconverged HCIX210c M7 All-NVMe Node harnesses the power of the Intel® Xeon® Scalable Processors, and offers the following:

- **CPU:**
 - 5th Generation Intel® Xeon® Scalable Processors with up to 64 cores per processor **or**
 - 4th Generation Intel® Xeon® Scalable Processors with up to 60 cores per processor.
- **Memory:**
 - Up to 8TB with 32 x 256GB DDR5-5600 DIMMs, in a 2-socket configuration with 5th Gen. Intel® Xeon® Scalable Processors **or**
 - Up to 8TB with 32 x 256GB DDR5-4800 DIMMs, in a 2-socket configuration with 4th Gen. Intel® Xeon® Scalable Processors.
- **Storage:** Up to 6 Non-Volatile Memory Express (NVMe) 2.5-inch drives with a choice of pass-through controllers with four lanes each of PCIe Gen 4 connectivity and up to 2 M.2 SATA drives for flexible boot and local storage capabilities.
- **mLOM virtual interface cards:**
 - Cisco Virtual Interface Card (VIC) 15420 occupies the server's Modular LAN on Motherboard (mLOM) slot, enabling up to 50Gbps (2 x25Gbps) of unified fabric connectivity to each of the chassis Intelligent Fabric Modules (IFMs) for 100Gbps connectivity per server.
 - Cisco Virtual Interface Card (VIC) 15230 occupies the server's modular LAN on motherboard (mLOM) slot, enabling up to 100 Gbps of unified fabric connectivity to each of the chassis Intelligent Fabric Modules (IFMs) for 100 Gbps connectivity per server with secure boot capability.
- **Optional Mezzanine card:**
 - Cisco Virtual Interface Card (VIC) 15422 can occupy the server's mezzanine slot at the bottom rear of the chassis. An included bridge card extends this VIC's 100Gbps (4 x 25Gbps) of network connections through IFM connectors, bringing the total bandwidth to 100Gbps per VIC 15420 and 15422 (for a total of 200Gbps per server). In addition to IFM connectivity, the VIC 15422 I/O connectors link to Cisco X-Fabric technology.
 - Cisco PCI Mezz card for X-Fabric can occupy the server's mezzanine slot at the bottom rear of the chassis. This card's I/O connectors link to Cisco X-Fabric modules and enable connectivity to the X440p PCIe Node.

- **Security:** Includes secure boot silicon root of trust FPGA, ACT2 anti-counterfeit provisions, and optional Trusted Platform Model (TPM).

Figure 1 on page 5 shows a front view of the Cisco Compute Hyperconverged HCIX210c M7 All-NVMe Node.

Figure 1 Cisco Compute Hyperconverged HCIX210c M7 All-NVMe Node

Front View with Drives



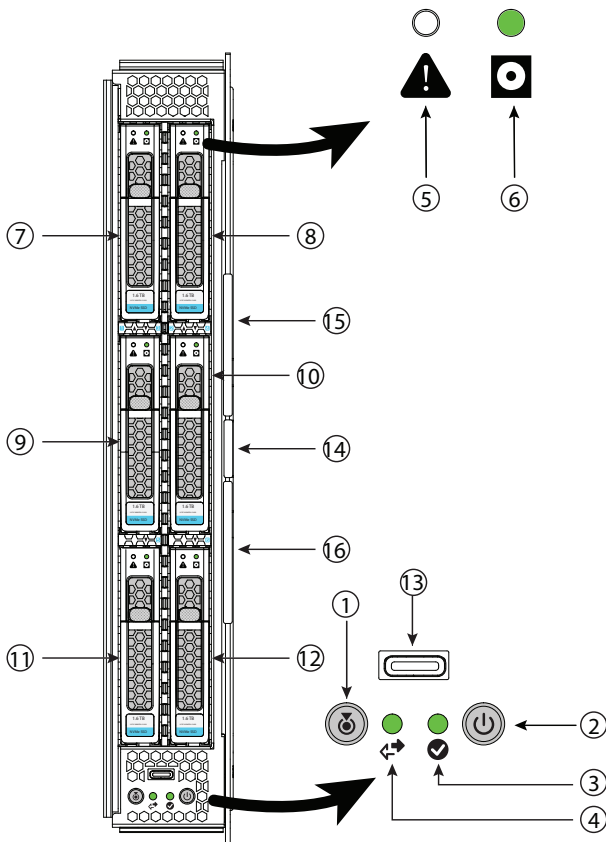
DETAILED VIEWS

Cisco Compute Hyperconverged HCIX210c M7 All-NVMe Node Front View

Figure 2 is a front view of the Cisco Compute Hyperconverged HCIX210c M7 All-NVMe Node.

Figure 2 Cisco Compute Hyperconverged HCIX210c M7 All-NVMe Node Front View (Drives option)

Storage Drives Option



1	Locate button/LED	9	Drive Bay 3 (shown populated)
2	Power button/LED	10	Drive Bay 4 (shown populated)
3	Status LED	11	Drive Bay 5 (shown populated)
4	Network activity LED	12	Drive Bay 6 (shown populated)
5	Warning LED (one per drive)	13	OCuLink console port ¹
6	Disk drive activity LED (one per drive)	14	Ejector handle retention button
7	Drive Bay 1 (shown populated)	15	Upper ejector handle
8	Drive Bay 2 (shown populated)	16	Lower ejector handle

Notes:

1. An adapter cable (PID HCIX-C-DEBUGCBL) is required to connect the OcuLink port to the transition serial USB and video (SUV) octopus cable.

CISCO COMPUTE HYPERCONVERGED NODE STANDARD CAPABILITIES and FEATURES

Table 1 lists the capabilities and features of the base Cisco Compute Hyperconverged HCIX210c M7 All-NVMe Node. Details about how to configure the Cisco Compute Hyperconverged Node for a listed feature or capability (for example, number of processors, disk drives, or amount of memory) are provided in *CONFIGURING the CISCO COMPUTE HYPERCONVERGED HCIX210C M7 ALL-NVME NODE on page 8*.

Table 1 Capabilities and Features


Capability/Feature	Description
Chassis	The Cisco Compute Hyperconverged HCIX210c M7 All-NVMe Node mounts in a Cisco Compute Hyperconverged 9508 chassis.
CPU	<ul style="list-style-type: none"> ■ 5th Gen. Intel® Xeon® Scalable Processors or 4th Gen. Intel® Xeon® Scalable Processors. ■ Each CPU has 8 channels with up to 2 DIMMs per channel, for up to 16 DIMMs per CPU. ■ UPI Links: Up to 4 at 20GT/s
Chipset	Intel® C741 series chipset
Memory	<ul style="list-style-type: none"> ■ 32 total DDR5-5600 MT/s DIMM slots with 5th Gen. Intel® Xeon® Scalable Processors (16 per CPU) or 32 total DDR5-4800 MT/s DIMM slots with 4th Gen. Intel® Xeon® Scalable Processors ■ Up to 8TB DDR5-5600 DIMM memory capacity (32x 256GB DIMMs) with 5th Gen. Intel® Xeon® Scalable Processors or Up to 8TB DDR5-4800 DIMM memory capacity (32x 256GB DIMMs) with 4th Gen. Intel® Xeon® Scalable Processors ■ 75% peak bandwidth increase over DDR4-3200, with on-die ECC; all densities are Registered DIMMs (RDIMMs)
Storage	Up to 6 Non-Volatile Memory Express (NVMe) 2.5-inch drives with a choice of pass-through controllers with four lanes each of PCIe Gen 4 connectivity and up to 2 M.2 SATA or NVMe drives for flexible boot and local storage capabilities.
Additional Storage	Dual 80 mm SATA 3.0 M.2 cards (up to 480GB per card) on a boot-optimized hardware RAID controller
Mezzanine Adapters (Front)	<p>One front mezzanine connector that supports:</p> <ul style="list-style-type: none"> ■ Up to 6 x 2.5-inch NVMe PCIe drives  <p>Note: Drives pass-through controller in the front mezzanine module slot.</p>
Mezzanine Adapter (Rear)	<ul style="list-style-type: none"> ■ An optional Cisco Virtual Interface Card 15422 can occupy the server’s mezzanine slot at the bottom of the chassis. A bridge card extends this VIC’s 2x 50Gbps of network connections up to the mLOM slot and out through the mLOM’s IFM connectors, bringing the total bandwidth to 100Gbps per fabric—a total of 200Gbps per server. ■ An optional PCIe Mezz card for X-Fabric is also supported in the server’s mezzanine slot. This card’s I/O connectors link to the Cisco X-Fabric modules for Hyperconverged X-Series Gen4 PCIe node access.

Table 1 Capabilities and Features (continued)

Capability/Feature	Description
mLOM	<p>The modular LAN on motherboard (mLOM) cards (the Cisco VIC 15230 and 15420) is located at the rear of the Cisco Compute Hyperconverged Node.</p> <ul style="list-style-type: none"> ■ The Cisco Virtual Interface Card VIC 15420 is a Cisco designed PCI Express (PCIe) based card that supports two 2x25G-KR network interfaces to provide Ethernet communication to the network by means of the Intelligent Fabric Modules (IFMs) in the Cisco Compute Hyperconverged 9508 chassis. The Cisco VIC 15420 mLOM can connect to the rear mezzanine adapter card with a bridge connector. ■ The Cisco Virtual Interface Card (VIC) 15230 occupies the server's modular LAN on motherboard (mLOM) slot, enabling up to 100 Gbps of unified fabric connectivity to each of the chassis Intelligent Fabric Modules (IFMs) for 100 Gbps connectivity per server with secure boot capability.
Video	<p>Video uses a Matrox G200e video/graphics controller.</p> <ul style="list-style-type: none"> ■ Integrated 2D graphics core with hardware acceleration ■ DDR4 memory interface supports up to 512 MB of addressable memory (16 MB is allocated by default to video memory) ■ Supports display resolutions up to 1920 x 1200 32 bpp@ 60Hz ■ Video is available with an Oculink connector on the front panel. An adapter cable (PID HCIX-C-DEBUGCBL) is required to connect the OCuLink port to the transition serial USB and video (SUV) octopus cable.
Front Panel Interfaces	OCuLink console port. Note that an adapter cable is required to connect the OCuLink port to the transition serial USB and video (SUV) octopus cable.
Power subsystem	Power is supplied from the Cisco Compute Hyperconverged 9508 chassis power supplies. The Cisco Compute Hyperconverged HCIX210c M7 All-NVMe Node consumes a maximum of 1300 W.
Fans	Integrated in the Cisco Compute Hyperconverged 9508 chassis.
Integrated management processor	The built-in Cisco Integrated Management Controller enables monitoring of Cisco Compute Hyperconverged HCIX210c M7 All-NVMe Node inventory, health, and system event logs.
Baseboard Management Controller (BMC)	ASPEED Pilot IV
ACPI	Advanced Configuration and Power Interface (ACPI) 6.5 Standard Supported. ACPI states S0 and S5 are supported. There is no support for states S1 through S4.
Front Indicators	<ul style="list-style-type: none"> ■ Power button and indicator ■ System activity indicator ■ Location button and indicator
Management	<ul style="list-style-type: none"> ■ Cisco Intersight software (SaaS, Virtual Appliance and Private Virtual Appliance)
Fabric Interconnect	Compatible with the Cisco HCIX 6454, 64108 and 6536 fabric interconnects

CONFIGURING the CISCO COMPUTE HYPERCONVERGED HCIX210C M7 ALL-NVME NODE

Follow these steps to configure the Cisco Compute Hyperconverged HCIX210c M7 All-NVMe Node:

- *STEP 1 CHOOSE BASE CISCO COMPUTE HYPERCONVERGED NODE SKU, page 9*
- *STEP 2 CHOOSE CPU(S), page 10*
- *STEP 3 CHOOSE MEMORY, page 15*
- *STEP 4 CHOOSE REAR mLOM ADAPTER, page 22*
- *STEP 5 CHOOSE OPTIONAL REAR MEZZANINE VIC/BRIDGE ADAPTERS, page 26*
- *STEP 6 CHOOSE FRONT MEZZANINE ADAPTER, page 28*
- *STEP 7 CHOOSE OPTIONAL GPU PCIe NODE, page 29*
- *STEP 8 CHOOSE OPTIONAL GPUs, page 30*
- *STEP 9 CHOOSE DRIVES, page 31*
- *STEP 10 ORDER M.2 SATA SSDs AND RAID CONTROLLER, page 32*
- *STEP 11 CHOOSE OPTIONAL TRUSTED PLATFORM MODULE, page 33*
- *STEP 12 SELECT HYPERVISOR, page 34*
- *STEP 13 SELECT NUTANIX SOFTWARE AND NUTANIX PROFESSIONAL SERVICES, page 35*

STEP 1 CHOOSE BASE CISCO COMPUTE HYPERCONVERGED NODE SKU

Top Level ordering product ID (PID) of the Cisco Compute Hyperconverged HCIX210c M7 All-NVMe Node as shown in [Table 2](#).

Table 2 Top level ordering PID

Product ID (PID)	Description
HCIX-M7-MLB	Cisco Compute Hyperconverged X-Series M7 with Nutanix MLB

Select the product ID (PID) of the Cisco Compute Hyperconverged HCIX210c M7 All-NVMe Node as shown in [Table 3](#).

Table 3 PID of the Base Cisco Compute Hyperconverged HCIX210c M7 All-NVMe Node

Product ID (PID)	Description
HCIX210C-M7SN	210cM7 All NVMe Hyperconverged Node w/o CPU,Memory,Storage
HCIX210C-M7SN-U	210cM7 All NVMe Hyperconverged Node w/o CPU,Memory,Storage



NOTE:

- A base Cisco Compute Hyperconverged HCIX210c M7 All-NVMe Node ordered in [Table 3](#) does not include any components or options. They must be selected during product ordering.
- Hardware orderability will ship Bare Metal Cisco Compute Hyperconverged X-series servers (HCI SKUs) in anticipation of the IMM Software support (see below). Customers will be able to place orders, ship, and stage equipment but will not be able to deploy the Nutanix cluster until IMM & Prism Central Software support for X-series is available.
 - Day 0 - Cluster Deployment with Foundation Central (FC)
 - Day 2 - Cluster Expansion and Integrated Firmware upgrades using LCM is targeted for Q4CY24

Please follow the steps on the following pages to order components such as the following, which are required in a functional Cisco Compute Hyperconverged Node:

- CPUs
- Memory
- Storage controller
- Drives
- Cisco adapters

STEP 2 CHOOSE CPU(S)

The standard CPU features are:

- The 5th Gen Intel® Xeon® Scalable Processors are paired with Intel® C741 series chipset:
 - Up to 64 cores
 - Cache size of up to 320 MB
 - Power: Up to 350Watts
 - UPI Links: Up to 4 at 20GT/s

With 5th Gen Intel® Xeon® Processors, improve performance and efficiency while reducing costs. See [5TH GEN INTEL XEON BENEFIT PILLARS](#)

- The 4th Gen Intel® Xeon® Scalable Processors are paired with Intel® C741 series chipset:
 - Up to 60 cores
 - Cache size of up to 112.50 MB
 - Power: Up to 350Watts
 - UPI Links: Up to 4 at 16GT/s

With 4th Gen Intel® Xeon® processors, improve performance efficiency for critical workloads with the most built-in accelerators. See 4th gen intel xeon benefit pillars in [LEADERSHIP PERFORMANCE WITH 4TH GEN INTEL® XEON® PROCESSORS](#).

Select CPUs

- The available 5th Gen Intel® Xeon® Scalable CPUs are listed in [Table 4](#). See [Table 6 on page 14](#) for CPU suffix notations.
- The available 4th Gen Intel® Xeon® Scalable CPUs are listed in [Table 5](#). See [Table 6 on page 14](#) for CPU suffix notations.

Table 4 Available 5th Gen. Intel® Xeon® Scalable CPUs

Product ID (PID)	Segment/Workload	Maximum Socket (S)	Cores (C)	Clock Freq (GHz)	Power (W)	Cache Size (MB)	Highest DDR5 DIMM Clock Support (MT/s)
8000 Series Processors							
HCIX-CPU-I8592V	Cloud/SaaS/aaS	2S	64	2.00	330	320.00	4800
HCIX-CPU-I8592+	2S Performance	2S	64	1.90	350	320.00	5600
HCIX-CPU-I8580	2S Performance	2S	60	2.00	350	300.00	5600
HCIX-CPU-I8570	2S Performance	2S	56	2.10	350	300.00	5600
HCIX-CPU-I8568Y+	2S Performance	2S	48	2.30	350	300.00	5600
HCIX-CPU-I8562Y+	2S Performance	2S	32	2.80	300	60.00	5600
HCIX-CPU-I8558P	Cloud/SaaS/aaS	2S	48	2.70	350	260.00	5600

Table 4 Available 5th Gen. Intel® Xeon® Scalable CPUs

Product ID (PID)	Segment/Workload	Maximum Socket (S)	Cores (C)	Clock Freq (GHz)	Power (W)	Cache Size (MB)	Highest DDR5 DIMM Clock Support (MT/s)
HCIX-CPU-I8558	2S Mainline	2S	48	2.10	330	260.00	5200
6000 Series Processors							
HCIX-CPU-I6554S	Storage	2S	36	2.20	270	180.00	5200
HCIX-CPU-I6548Y+	2S Performance	2S	32	2.50	250	60.00	5200
HCIX-CPU-I6548N	Networking	2S	32	2.80	250	60.00	5200
HCIX-CPU-I6544Y	2S Performance	2S	16	3.60	270	45.00	5200
HCIX-CPU-I6542Y	2S Performance	2S	24	2.90	250	60.00	5200
HCIX-CPU-I6538Y+	2S Mainline	2S	32	2.20	225	60.00	5200
HCIX-CPU-I6538N	Networking	2S	32	2.10	205	60.00	5200
HCIX-CPU-I6534	2S Performance	2S	8	3.90	195	22.50	4800
HCIX-CPU-I6530	2S Mainline	2S	32	2.10	270	160.00	4800
HCIX-CPU-I6526Y	2S Performance	2S	16	2.80	195	37.50	5200
5000 Series Processors							
HCIX-CPU-I5520+	2S Mainline	2S	28	2.20	205	52.50	4800
HCIX-CPU-I5515+	2S Performance	2S	8	3.20	165	22.50	4800
4000 Series Processors							
HCIX-CPU-I4516Y+	2S Mainline	2S	24	2.20	185	45.00	4400
HCIX-CPU-I4514Y	2S Mainline	2S	16	2.00	150	30.00	4400
HCIX-CPU-I4510T ¹	EDGE (IOT)	2S	12	2.00	115	30.00	4400
HCIX-CPU-I4510 ¹	2S Mainline	2S	12	2.40	150	30.00	4400
HCIX-CPU-I4509Y ¹	2S Mainline	2S	8	2.60	125	22.50	4400

Notes:

1. 48GB and 96GB memory DIMMs not supported on HCIX-CPU-I4509Y, HCIX-CPU-I4510, HCIX-CPU-I4510T

Table 5 Available 4th Gen. Intel® Xeon® Scalable CPUs

Product ID (PID)	Segment/Workload	Maximum Socket (S)	Cores (C)	Clock Freq (GHz)	Power (W)	Cache Size (MB)	Highest DDR5 DIMM Clock Support (MT/s)
8000 Series Processors							
HCIX-CPU-I8490H	IMDB/Analytics	2S	60	1.90	350	112.50	4800
HCIX-CPU-I8480+	2S Performance	2S	56	2.00	350	105.00	4800

Table 5 Available 4th Gen. Intel® Xeon® Scalable CPUs

Product ID (PID)	Segment/Workload	Maximum Socket (S)	Cores (C)	Clock Freq (GHz)	Power (W)	Cache Size (MB)	Highest DDR5 DIMM Clock Support (MT/s)
HCIX-CPU-I8470N	5G/Networking	2S	52	1.70	300	97.50	4800
HCIX-CPU-I8470	2S Performance	2S	52	2.00	350	105.00	4800
HCIX-CPU-I8468V	Cloud/SaaS/Media	2S	48	2.40	330	97.50	4800
HCIX-CPU-I8468H	IMDB/Analytics	2S	48	2.10	330	105.00	4800
HCIX-CPU-I8468	2S Performance	2S	48	2.10	350	105.00	4800
HCIX-CPU-I8462Y+	2S Performance	2S	32	2.80	300	60.00	4800
HCIX-CPU-I8460Y+	2S Performance	2S	40	2.00	300	105.00	4800
HCIX-CPU-I8460H	IMDB/Analytics	2S	40	2.20	330	105.00	4800
HCIX-CPU-I8458P	Cloud/SaaS/Media	2S	44	2.70	350	82.50	4800
HCIX-CPU-I8454H	IMDB/Analytics	2S	32	2.10	270	82.50	4800
HCIX-CPU-I8452Y	2S Mainline	2S	36	2.00	300	67.50	4800
HCIX-CPU-I8450H	IMDB/Analytics	2S	28	2.00	250	75.00	4800
HCIX-CPU-I8444H	IMDB/Analytics	2S	16	2.90	270	45.00	4800
6000 Series Processors							
HCIX-CPU-I6454S	Storage	2S	32	2.20	270	60.00	4800
HCIX-CPU-I6448Y	2S Performance	2S	32	2.10	225	60.00	4800
HCIX-CPU-I6448H	IMDB/Analytics	2S	32	2.40	250	60.00	4800
HCIX-CPU-I6444Y	2S Performance	2S	16	3.60	270	45.00	4800
HCIX-CPU-I6442Y	2S Performance	2S	24	2.60	225	60.00	4800
HCIX-CPU-I6438Y+	2S Mainline	2S	32	2.00	205	60.00	4800
HCIX-CPU-I6438N	5G/Networking	2S	32	2.00	205	60.00	4800
HCIX-CPU-I6438M	Cloud/SaaS/Media	2S	32	2.20	205	60.00	4800
HCIX-CPU-I6434H	IMDB/Analytics	2S	8	3.70	195	22.50	4800
HCIX-CPU-I6434	2S Performance	2S	8	3.70	195	22.50	4800
HCIX-CPU-I6430	2S Mainline	2S	32	2.10	270	60.00	4400
HCIX-CPU-I6428N	5G/Networking	2S	32	1.80	185	60.00	4000
HCIX-CPU-I6426Y	2S Performance	2S	16	2.50	185	37.50	4800
HCIX-CPU-I6418H	IMDB/Analytics	2S	24	2.10	185	60.00	4800
HCIX-CPU-I6416H	IMDB/Analytics	2S	18	2.20	165	45.00	4800
5000 Series Processors							
HCIX-CPU-I5420+	2S Mainline	2S	28	2.00	205	52.50	4400

Table 5 Available 4th Gen. Intel® Xeon® Scalable CPUs

Product ID (PID)	Segment/Workload	Maximum Socket (S)	Cores (C)	Clock Freq (GHz)	Power (W)	Cache Size (MB)	Highest DDR5 DIMM Clock Support (MT/s)
HCIX-CPU-I5418Y	2S Mainline	2S	24	2.00	185	45.00	4400
HCIX-CPU-I5418N	5G/Networking	2S	24	1.80	165	45.00	4000
HCIX-CPU-I5416S	Storage	2S	16	2.00	150	30.00	4400
HCIX-CPU-I5415+	2S Performance	2S	8	2.90	150	22.50	4400
4000 Series Processors							
HCIX-CPU-I4416+	2S Mainline	2S	20	2.00	165	37.50	4000
HCIX-CPU-I4410Y	2S Mainline	2S	12	2.00	150	30.00	4000
HCIX-CPU-I4410T	IOT	2S	10	2.70	150	26.25	4000

Table 6 CPU Suffixes

CPU Suffix	Description	Features
P	Cloud (IaaS)	Designed for cloud IaaS environments to deliver higher frequencies at constrained TDPs
V	Cloud (SaaS)	Designed for high rack density, maximize VM/core, and lower power VM environment
M	Media Transcode	Designed for Media processing, AI, and HPC workloads
H	DB and Analytics	Designed for Data Analytics and Big Data usages
N	Network/5G/Edge (High TDP/Low latency)	Designed and optimized for a range of broadly-deployed network and 5G workload environments from Edge to the Data Center
S	Storage & HCI	Designed for Storage usages and workloads
T	Long-life Use/High Tcase	Designed for Network Environment-Building System (NEBS) and IoT market
U	1-Socket	Optimized for targeted platforms adequately served by the cores, memory bandwidth and IO capacity available from a single processor
Y	General SKU with SST-PP	Designator is used for general SKU stack to highlight SST-PP (Speed Select Technology Performance Profile) feature enabled
+	Feature Plus SKU	Designed to enable 1 instance of each DSA, IAA, QAT, DLB embedded accelerator

Supported Configurations

(1) Configurations with NVMe PCIe drives:

- Select two identical CPUs from [Table 5 on page 11](#)

(2) Two-CPU Configuration

- Choose two identical CPUs from any one of the rows of [Table 5 on page 11](#)

STEP 3 CHOOSE MEMORY

The [Table 7](#) below describes the main memory DIMM features supported on Cisco Compute Hyperconverged HCIX210c M7 All-NVMe Node.

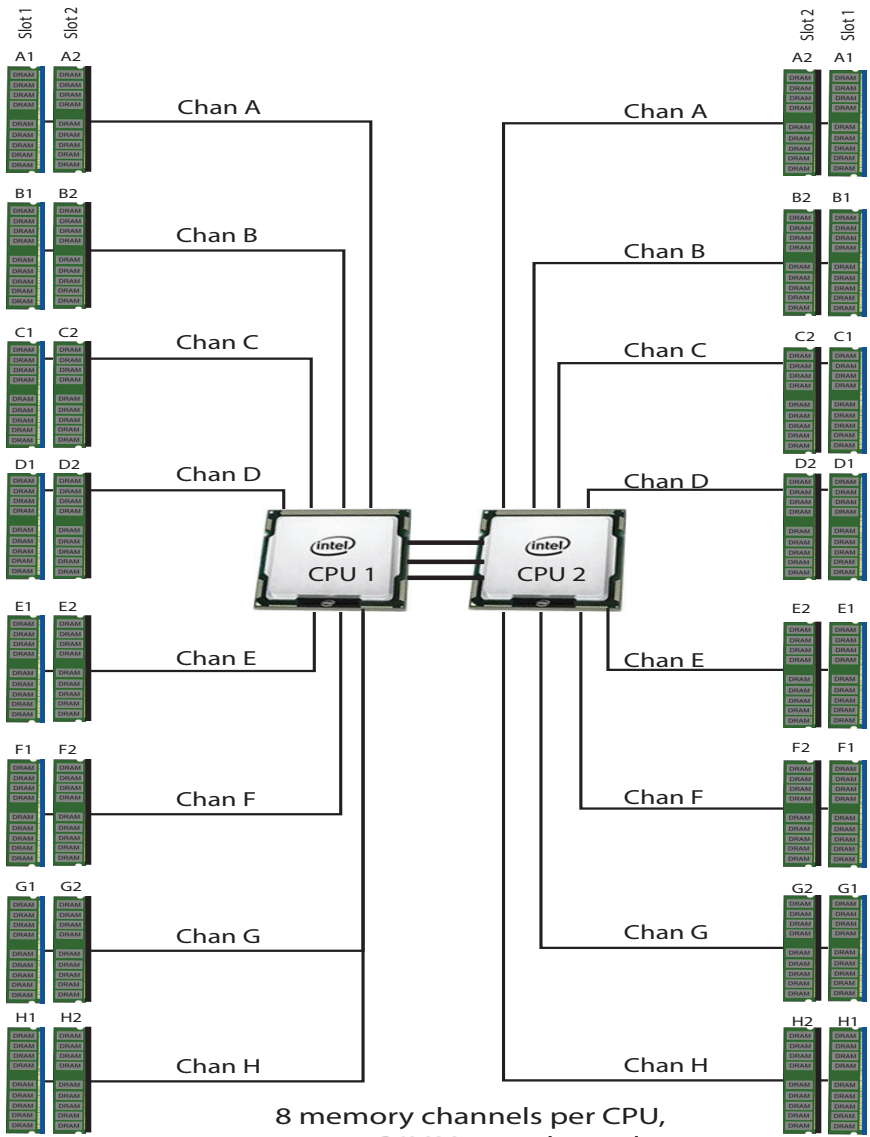


CAUTION: When populating 256GB DIMMs, the ambient temperature shall be limited to a maximum of 32°C.

Table 7 HCIX210c M7 Main Memory Features

Memory DIMM server technologies	Description
DDR5 memory clock speed	4th Gen. CPU: Up to 4800MT/s 1DPC; Up to 4400MT/s 2DPC
	5th Gen. CPU: Up to 5600MT/s 1DPC; Up to 4400MT/s 2DPC
Operational voltage	1.1 Volts
DRAM fab density	16Gb and 24Gb
DRAM DIMM type	RDIMM (Registered DDR5 DIMM with on die ECC)
Memory DIMM organization	Eight memory DIMM channels per CPU; up to 2 DIMMs per channel
Maximum number of DRAM DIMM per server	32 (2-Socket)
DRAM DIMM Densities and Ranks	16GB 1Rx8, 32GB 1Rx4, 64GB 2Rx4, 128GB 4Rx4, 256GB 8Rx4
	48GB 1Rx4, 96GB 2Rx4 - 5th Gen. only
Maximum system capacity (DRAM DIMMs only)	8TB (32x256GB)

Figure 3 Cisco Compute Hyperconverged HCIX210c M7 All-NVMe Node Memory Organization



Select DIMMs

The available memory DIMMs option are listed in [Table 8](#).

Table 8 Available DDR5 DIMMs

Product ID (PID)	PID Description
DDR5-4800MT/s PID list	
HCIX-MRX16G1RE1	16GB DDR5-4800 RDIMM 1Rx8 (16Gb)
HCIX-MRX32G1RE1	32GB DDR5-4800 RDIMM 1Rx4 (16Gb)
HCIX-MRX64G2RE1	64GB DDR5-4800 RDIMM 2Rx4 (16Gb)
HCIX-MR128G4RE1	128GB DDR5-4800 RDIMM 4Rx4 (16Gb)
HCIX-MR256G8RE1 ¹	256GB DDR5-4800 RDIMM 8Rx4 (16Gb)
DDR5-5600MT/s PID list²	
HCIX-MRX16G1RE3	16GB DDR5-5600 RDIMM 1Rx8 (16Gb)
HCIX-MRX32G1RE3	32GB DDR5-5600 RDIMM 1Rx4 (16Gb)
HCIX-MRX48G1RF3 ³	48GB DDR5-5600 RDIMM 1Rx4 (24Gb)
HCIX-MRX64G2RE3	64GB DDR5-5600 RDIMM 2Rx4 (16Gb)
HCIX-MRX96G2RF3 ³	96GB DDR5-5600 RDIMM 2Rx4 (24Gb)
HCIX-MR128G4RE3	128GB DDR5-5600 RDIMM 4Rx4 (16Gb)
HCIX-MR256G8RE3 ¹	256GB DDR5-5600 RDIMM 8Rx4 (16Gb)
Accessories/spare included with Memory configuration:	
<ul style="list-style-type: none"> ■ UCS-DDR5-BLK⁴ is auto included for the unselected DIMMs slots 	

Notes:

1. If selecting 256GB DIMMs the ambient temperature shall be limited to a maximum of 32°C.
2. DDR5-5600 supported on Intel® Xeon® 5th generation only.
3. 48GB and 96GB memory DIMMs not supported on HCIX-CPU-I3508U, HCIX-CPU-I4509Y, HCIX-CPU-I4510, HCIX-CPU-I4510T
4. Any empty DIMM slot must be populated with a DIMM blank to maintain proper cooling airflow.

Memory configurations and mixing rules

- **Golden Rule:** Memory on every CPU socket shall be configured identically.
- System speed is dependent on the CPU DIMM speed support. Refer to [Available 4th Gen. Intel® Xeon® Scalable CPUs on page 11](#) and [Available 5th Gen. Intel® Xeon® Scalable CPUs on page 10](#) for DIMM speeds.
- For full details on supported memory configurations see the [M7 Memory Guide](#).
- DIMM Count Rules:

Table 9 Allowed DIMM Count for 1-CPU, 2-CPU

Allowed DIMM Count rules	Minimum Count	Maximum Count	Allowed Count	Not Allowed Count
16GB, 32GB, 64GB, 128GB, 256GB (4th and 5th Gen. CPUs)				
DIMM count for 1 CPU	1	16	1,2,4,6,8,12,16	3,5,7,9,10,11,13,14,15
DIMM count for 2-CPU	2	32	2,4,8,12,16,24,32	6,10,14,18,20,22,26,28,30
48GB (5th Gen. CPUs Only)				
DIMM count for 1 CPU	1	8	1,6,8	2,3,4,5,7,9,10,11,12,13,14,15,16
DIMM count for 2-CPU	2	16	2,12,16	4,6,8,10,14,18,20,22,24,26,28,30,32
96GB (5th Gen. CPUs Only)				
DIMM count for 1 CPU	1	16	1,6,8,12,16	2,3,4,5,7,9, 10,11,13,14,15
DIMM count for 2-CPU	2	32	2,12,16,24,32	4,6,8,10,14,18,20,22,26,28,30

NOTE(1): 12 DIMMs count for 1-CPU, 24 DIMMs count and for 2-CPU configurations are only allowed when all DIMMs have the same density.

- DIMM Population Rules:
 - Each channel has two memory slots (for example, channel A = slots A1 and A2). See [golden rule](#) above.
 - A channel can operate with one or two DIMMs installed.
 - If a channel has only one DIMM, populate slot 1 first (the blue slot).
 - When both CPUs are installed, populate the memory slots of each CPU identically. Fill the blue slots (slot 1) in the memory channels first according to the recommended DIMM populations in [Table 10.0](#), [Table 10.1](#) and [Table 10.2](#).

Table 10.0 M7 DIMM population order for 16GB, 32GB, 64GB, 128GB, 256GB

#DIMMs per CPU	DIMM Population - 16GB, 32GB, 64GB, 128GB, 256GB (4th and 5th Gen. CPUs) ¹	
	Slot 1 (Blue)	Slot 2 (Black)
1	A1	-
2	A1, G1	-
4	A1, C1, E1, G1	-
6	A1, C1, D1, E1, F1, G1	-
8	A1, B1, C1, D1, E1, F1, G1, H1	-
12 ²	A1, B1, C1, D1, E1, F1, G1, H1	A2, C2, E2, G2
16	A1, B1, C1, D1, E1, F1, G1, H1	A2, B2, C2, D2, E2, F2, G2, H2

Notes:

1. See [DIMM Mixing Rules](#) for allowed combinations across slots 1 and 2.
2. Only valid when DIMMs in blue and black slots are the same density.

Table 10.1 M7 DIMM population order for 48GB

#DIMMs per CPU	DIMM Population - 48GB (5th Gen. CPUs only) ^{1,2}	
	Slot 1 (Blue)	Slot 2 (Black)
1	A1	-
6	A1, C1, D1, E1, F1, G1	-
8	A1, B1, C1, D1, E1, F1, G1, H1	-

Notes:

1. 48GB DIMMs cannot be mixed with other DIMM capacities.
2. Only 1 DPC supported by 48GB.

Table 10.2 M7 DIMM population order for 96GB

#DIMMs per CPU	DIMM Population - 96GB (5th Gen. CPUs only) ¹	
	Slot 1 (Blue)	Slot 2 (Black)
1	A1	-
6	A1, C1, D1, E1, F1, G1	-
8	A1, B1, C1, D1, E1, F1, G1, H1	-
12 ²	A1, B1, C1, D1, E1, F1, G1, H1	A2, C2, E2, G2
16 ²	A1, B1, C1, D1, E1, F1, G1, H1	A2, B2, C2, D2, E2, F2, G2, H2

Notes:

1. 96GB DIMMs cannot be mixed with other DIMM capacities.
2. Only valid when DIMMs in blue and black slots are the same density.

■ DIMM Mixing Rules:

- Higher rank DIMMs shall be populated on Slot 1.
- Mixing different DIMM densities in the same slot across channels is not supported. All populated slots of the same color must have the same DIMM density.
- Mixing X4 and X8 DIMMs is not allowed
- Mixing 16Gb DRAM based and 24Gb DRAM based DIMMs is not allowed. Therefore, 48GB and 96GB cannot be mixed with any other memory DIMMs
- 48GB supports 1 DIMM Per Channel (1DPC) only
- The DIMM mixing rules matrix is described in the [Table 11](#) and [Table 12](#), below

Table 11 Supported DIMM mixing and population across 2 slots in each channel - 16GB, 32GB, 64GB, 128GB, and 256GB DIMMs

Channel Mixing		DIMM Slot 2 (Black)				
DIMM Slot 1 (Blue)		16GB	32GB	64GB	128GB	256GB
		1Rx8	1Rx4	2Rx4	4Rx4	8Rx4
16GB	1Rx8	Yes ¹	No	No	No	No
32GB	1Rx4	No	Yes ¹	No	No	No
64GB	2Rx4	No	Yes ²	Yes ¹	No	No
128GB	4Rx4	No	No	No	Yes ¹	No
256GB	8Rx4	No	No	No	Yes ²	Yes ¹

Notes:

1. For 2,4,6, 8 DIMMs count, only populate slot 1 (Blue slot). see [Table 10.0](#) for details
2. When mixing two different DIMM densities, all 8 channels per CPU must be populated. Use of fewer than 8 channels (16 slots per CPU) is not supported.

Table 12 Supported DIMM mixing and population across 2 slots in each channel - 48GB and 96GB DIMMs

Channel Mixing		DIMM Slot 2 (Black)	
DIMM Slot 1 (Blue)		48GB	96GB
		1Rx4	2Rx4
48GB	1Rx4	No	No
96GB	2Rx4	No	Yes ¹

Notes:

1. For 6, 8 DIMMs count, only populate slot 1 (Blue slot). see [Table 10.2](#) for details

- Memory Limitations:
 - Memory on every CPU socket shall be configured identically.
 - Refer to [Table 10.0](#), [Table 10.1](#) and [Table 10.2](#), and [Table 11](#) and [Table 12](#), for DIMM population and DIMM mixing rules.
 - Cisco memory from previous generation servers (DDR3 and DDR4) is not supported with the M7 servers.
- For best performance, observe the following:
 - For optimum performance, populate at least one DIMM per memory channel per CPU. When one DIMM per channel is used, it must be populated in DIMM slot 1 (blue slot farthest away from the CPU) of a given channel.
 - The maximum 2 DPC speed is 4400 MT/s, refer to [Table 13.0](#) and [Table 13.1](#) for the details.

Table 13.0 DDR5-4800 DIMM 1DPC and 2DPC max speed matrix - 4th Gen. CPU

4th Gen. CPU Shelves and Memory Speed	1DPC	2DPC
	All RDIMMs	All RDIMMs
Platinum Series 8	4800 MT/s	4400 MT/s
Gold Series 6	4800 MT/s	4400 MT/s
Gold Series 5	4400 MT/s	4400 MT/s
Silver Series 4	4000 MT/s	4000 MT/s
Bronze Series 3	4000 MT/s	4000 MT/s

Table 13.1 DDR5-5600 DIMM 1DPC and 2DPC max speed matrix - 5th Gen. CPU

5th Gen. CPU Shelves and Memory Speed	1DPC	2DPC
	All RDIMMs	All RDIMMs
Platinum Series 8	5600 MT/s	4400 MT/s
Gold Series 6	5200 MT/s	4400 MT/s
Gold Series 5	4800 MT/s	4400 MT/s
Silver Series 4	4400 MT/s	4400 MT/s
Bronze Series 3	4400 MT/s	4400 MT/s



NOTE: For full details on supported memory configurations see the [M7 Memory Guide](#).

STEP 4 CHOOSE REAR mLOM ADAPTER

The Cisco Compute Hyperconverged HCIX210c M7 All-NVMe Node must be ordered with a Cisco VIC mLOM Adapter. The adapter is located at the back and can operate in a single-CPU or dual-CPU configuration. [Table 14](#) shows the mLOM adapter choices.

Table 14 mLOM Adapters

Product ID (PID)	Description	Connection type
HCIX-MLV5D200GV2	Cisco VIC 15230 modular LOM w/Secure Boot X Cisco Compute Hyperconverged Node	mLOM
HCIX-ML-V5Q50G	Cisco VIC 15420 4x25G secure boot mLOM for X Cisco Compute Hyperconverged Node	mLOM



NOTE:

- VIC 15420 are supported with both X9108-IFM-25G and X9108-IFM-100G. VIC 15420 will operate at 4x 25G with both X9108-IFM-25G and X9108-IFM-100G. While, VIC 15230 will operate at 4x 25G with X9108-IFM-25G and at 2x 100G with X9108-IFM-100G.
- The mLOM adapter is mandatory for the Ethernet connectivity to the network by means of the IFMs and has x16 PCIe Gen4 connectivity with Cisco VIC 15420 or x16 Gen4 connectivity with Cisco VIC 15230 towards the CPU1.
- There is no backplane in the Cisco Compute Hyperconverged 9508 chassis; thus, the Cisco Compute Hyperconverged Nodes directly connect to the IFMs using Orthogonal Direct connectors.
- [Figure 4](#) shows the location of the mLOM and rear mezzanine adapters on the Cisco Compute Hyperconverged HCIX210c M7 All-NVMe Node. The bridge adapter connects the mLOM adapter to the rear mezzanine adapter.

Figure 4 Location of mLOM and Rear Mezzanine Adapters

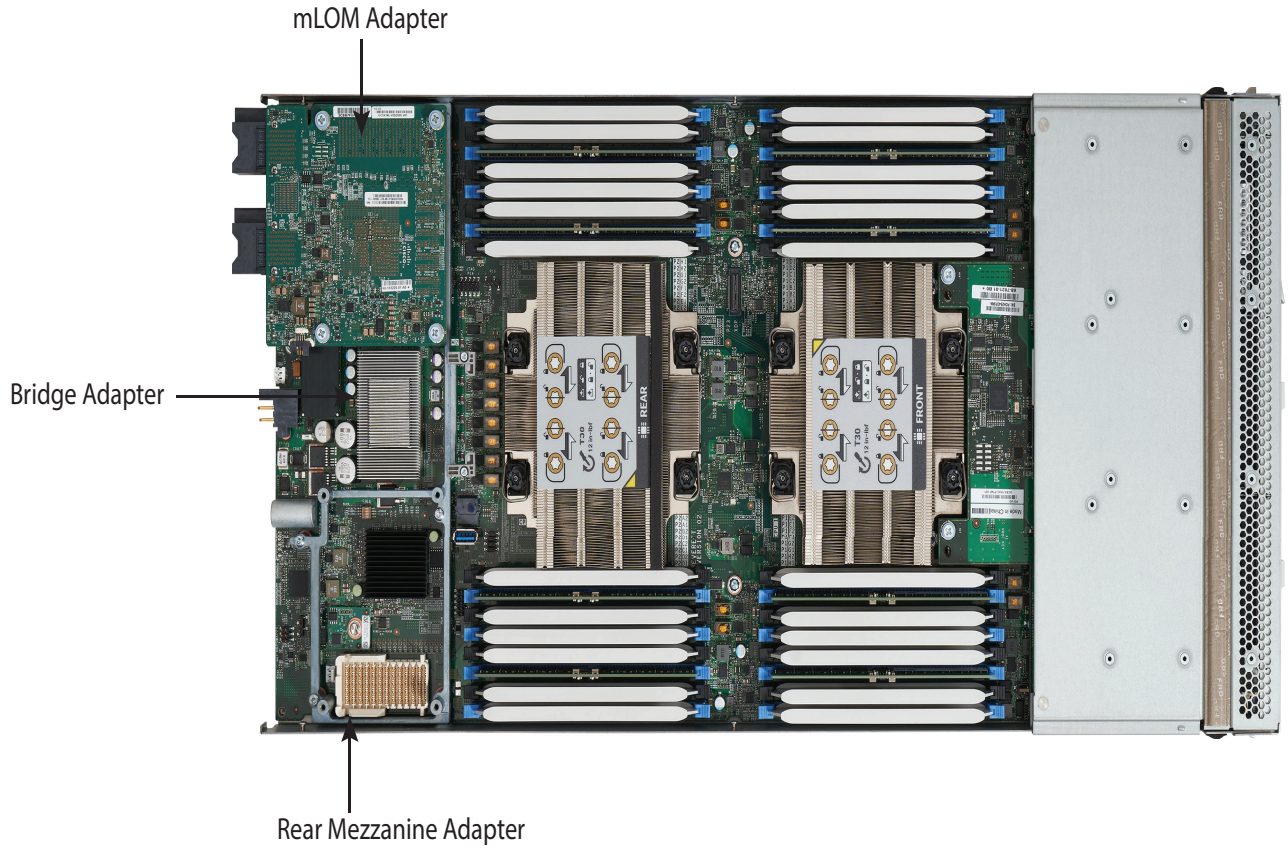


Figure 5 shows the network connectivity from the mLOM out to the 25G IFMs.

Figure 5 Network Connectivity 25G IFMs

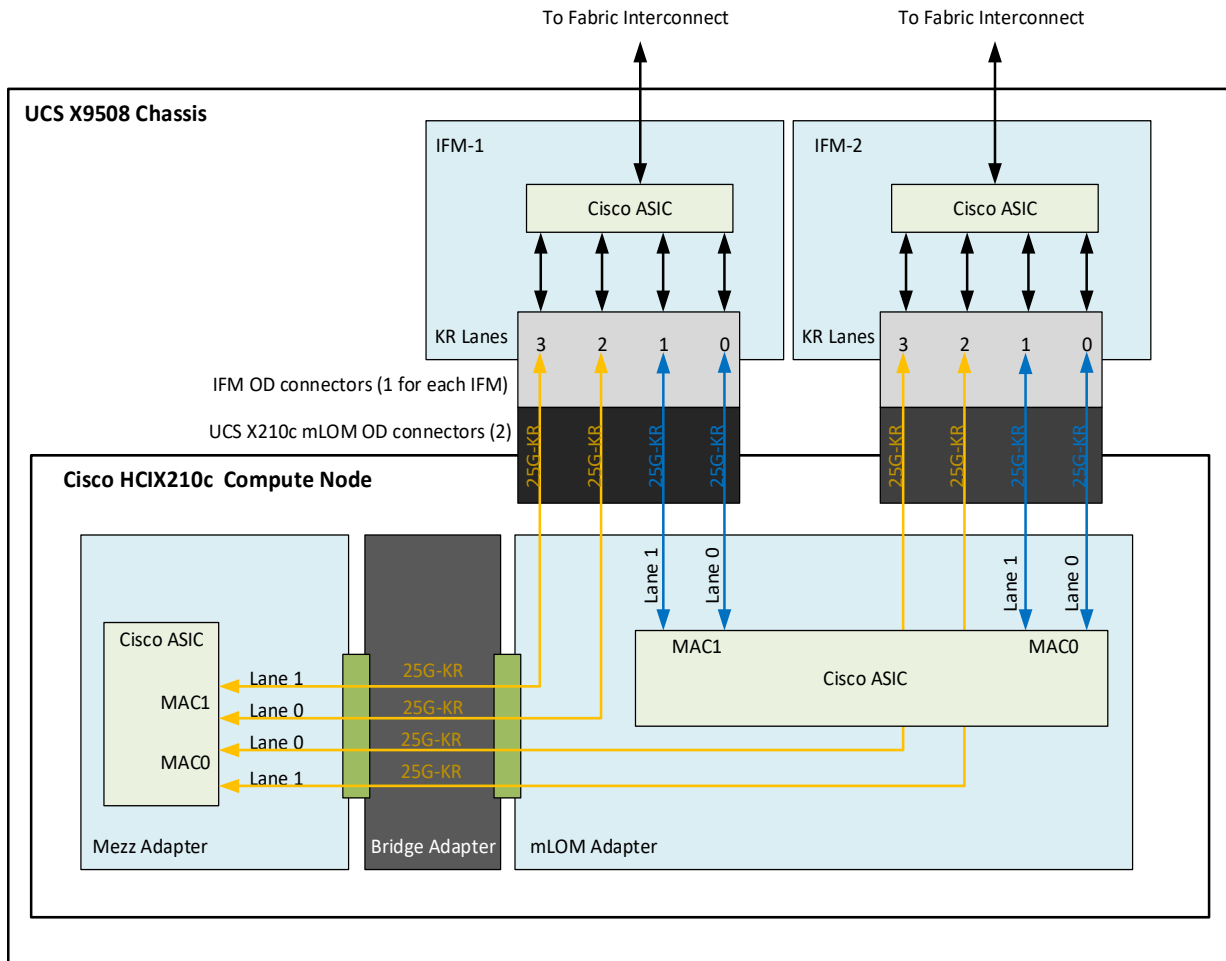
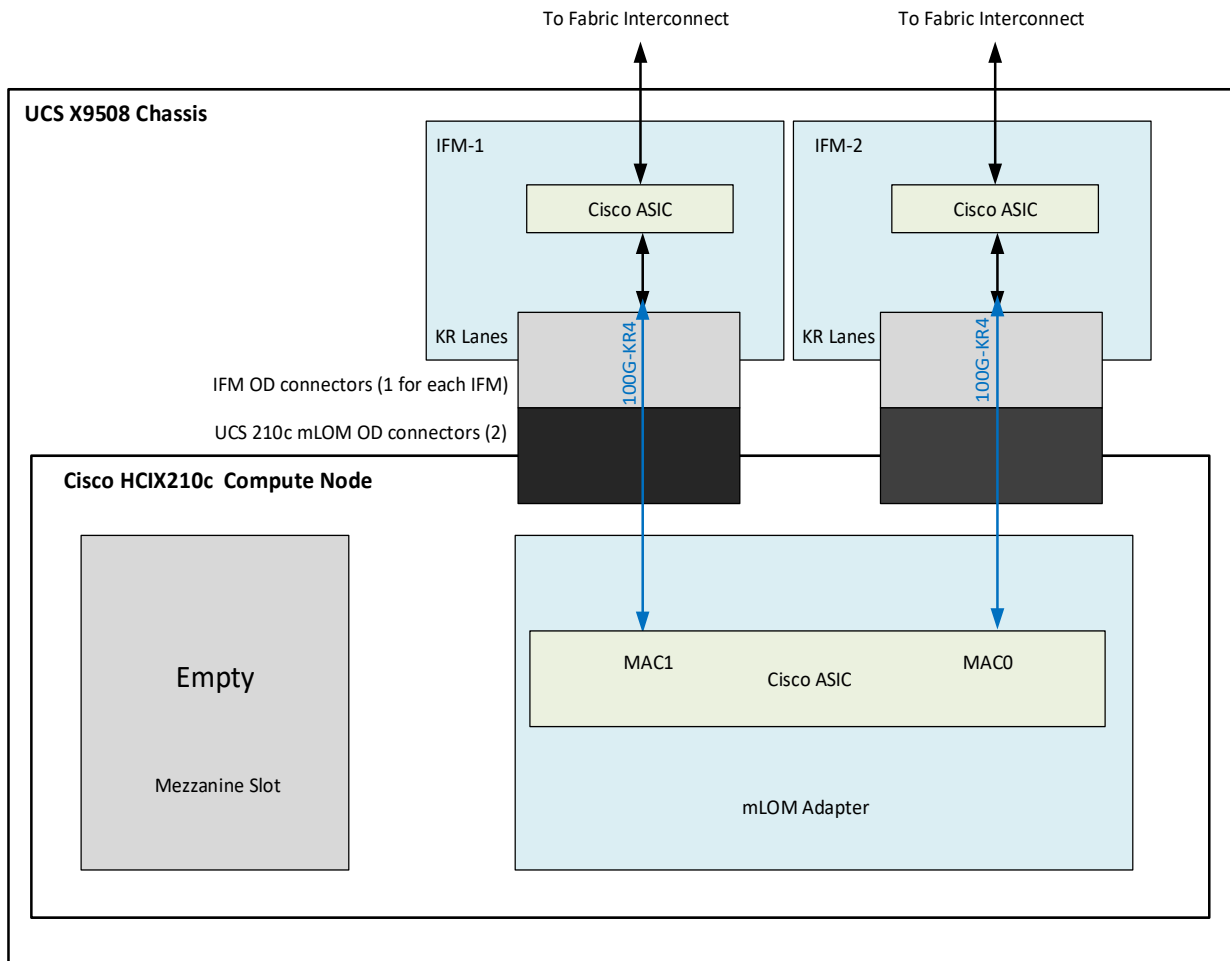


Figure 6 shows the network connectivity from the mLOM out to the 100G IFMs.

Figure 6 Network Connectivity 100G IFMs



STEP 5 CHOOSE OPTIONAL REAR MEZZANINE VIC/BRIDGE ADAPTERS

The Cisco Compute Hyperconverged HCIX210c M7 All-NVMe Node has one rear mezzanine adapter connector which can have a VIC 15422 Mezz card that can be used as a second VIC card on the Cisco Compute Hyperconverged Node for network connectivity or as a connector to the X440p PCIe node via X-Fabric modules. The same mezzanine slot on the Cisco Compute Hyperconverged Node can also accommodate a pass-through mezzanine adapter for X-Fabric which enables Cisco Compute Hyperconverged Node connectivity to the X440p PCIe node. Refer to [Table 15](#) for supported adapters.

Table 15 Available Rear Mezzanine Adapters

Product ID (PID)	PID Description	CPUs Required	Connector Type
Cisco VIC Card			
HCIX-V4-PCIME ¹	PCI Mezz Card for X-Fabric	2 CPUs required	Rear Mezzanine connector on motherboard
HCIX-ME-V5Q50G	VIC 15422 4x25G secure boot mezz for X Cisco Compute Hyperconverged Node	2 CPUs required	Rear Mezzanine connector on motherboard
Cisco VIC Bridge Card²			
HCIX-V5-BRIDGE	VIC 15000 bridge to connect mLOM and mezz X Cisco Compute Hyperconverged Node (This bridge to connect the Cisco VIC 15420 mLOM and Cisco VIC 15422 Mezz for the HCIX210c M7 All-NVMe Node)	2 CPUs required	One connector on Mezz card and one connector on mLOM card

Notes:

1. If this adapter is selected, then two CPUs are required and **HCIX-ME-V5Q50G** or **HCIX-V4-PCIME** is required.
2. Included with the Cisco VIC 15422 mezzanine adapter.



NOTE: The **HCIX-V4-PCIME** rear mezzanine card for X-Fabric has PCIe Gen4 x16 connectivity towards each CPU1 and CPU2. Additionally, the **HCIX-V4-PCIME** also provides two PCIe Gen4 x16 to each X-fabric. This rear mezzanine card enables connectivity from the HCIX210c M7 All-NVMe Node to the X440p PCIe node.

Table 16 Throughput Per HCIX210c M7 All-NVMe Node

HCIX210c M7 Cisco Compute Hyperconverged Node	FI-6536 + X9108-IFM-100G	FI-6536/6400 + X9108-IFM-25G	FI-6536 + X9108-IFM-25G/100G or FI-6400 + X9108-IFM-25G	FI-6536 + X9108-IFM-25G/100G or FI-6400 + X9108-IFM-25G	
X210c configuration	VIC 15230	VIC 15230	VIC 15420	VIC 15420 + VIC 15422	
Throughput per node	200G (100G per IFM)	100G (50G per IFM)	100G (50G per IFM)	200G (100G per IFM)	
vNICs needed for max BW	2	2	2	4	
KR connectivity from VIC to each IFM	1x 100GKR	2x 25GKR	2x 25GKR	4x 25GKR	
Single vNIC throughput on VIC	100G (1x100GKR)	50G (2x25G KR)	50G (2x25G KR)	50G (2x25G KR)	50G (2x25G KR)
Max Single flow BW per vNIC	100G	25G	25G	25G	25G
Single vHBA throughput on VIC	100G	50G	50G	50G	50G

Supported Configurations

- One of mLOM VIC from [Table 14](#) is always required.
- If a **HCIX-ME-V5Q50G** rear mezzanine VIC card is installed, a **HCIX-V5-BRIDGE** VIC bridge card is included and connects the mLOM to the mezzanine adapter.
- The **HCIX-ME-V5Q50G** rear mezzanine card has Ethernet connectivity to the IFM using the **HCIX-V5-BRIDGE** and has a PCIe Gen4 x16 connectivity towards CPU2. Additionally, the **HCIX-ME-V5Q50G** also provides two PCIe Gen4 x16 to each X-fabric.
- All the connections to Cisco X-Fabric 1 and Cisco X-Fabric 2 are through the Molex Orthogonal Direct (OD) connector on the mezzanine card.
- The rear mezzanine card has 32 x16PCIe lanes to each Cisco X-Fabric for I/O expansion to enable resource consumption from the PCIe resource nodes.

STEP 6 CHOOSE FRONT MEZZANINE ADAPTER

The Cisco Compute Hyperconverged HCIX210c M7 All-NVMe Node has one front mezzanine connector that can accommodate one of the following mezzanine cards:

- Pass-through controller for up to 6 U.2/U.3 NVMe drives.



NOTE: The Cisco Compute Hyperconverged HCIX210c M7 All-NVMe Node can be ordered with or without the front mezzanine adapter. Refer to [Table 17 Available Front Mezzanine Adapters](#)

Table 17 Available Front Mezzanine Adapters

Product ID(PID)	PID Description	Connector Type
HCIX-X10C-PT4F	Cisco Compute Hyperconverged HCIX210c M7 All-NVMe Node compute pass through controller for up to 6 NVMe drives	Front Mezzanine

STEP 7 CHOOSE OPTIONAL GPU PCIe NODE

Refer to [Table 18](#) for GPU PCIe Node

Table 18 GPU PCIe Node

Product ID(PID)	PID Description
HCIX-440P	Cisco Compute Hyperconverged X-Series Gen4 PCIe node



NOTE:

- If HCIX-440P is selected, then rear mezzanine is required.

STEP 8 CHOOSE OPTIONAL GPUS

Select GPU Options

The available PCIe node GPU options are listed in [Table 19](#).

Table 19 Available PCIe GPU Cards supported on the PCIe Node

GPU Product ID (PID)	PID Description	Maximum number of GPUs per node
HCIX-GPU-A16	NVIDIA A16 PCIE 250W 4X16GB	2
HCIX-GPU-L4	NVIDIA L4 Tensor Core, 70W, 24GB	4
HCIX-GPU-L40S	NVIDIA L40S: 350W, 48GB, 2-slot FHFL GPU	2
HCIX-GPU-H100-80	NVIDIA H100: 350W, 80GB, 2-slot FHFL GPU	2

STEP 9 CHOOSE DRIVES

The Cisco Compute Hyperconverged HCIX210c M7 All-NVMe Node can be ordered with or without drives. The drive options are:

Select Drives - HCIX210C-M7SN (All-NVMe)

The available drives are listed in [Table 20](#).

Table 20 Available Capacity Drives

Product ID (PID)	PID Description	Drive Type	Capacity
Capacity Drive			
HCIX-NVME4-1920	1.9TB 2.5in U.2 15mm P5520 Hg Perf Med End NVMe	NVMe	1.9TB
HCIX-NVME4-3840	3.8TB 2.5in U.2 15mm P5520 Hg Perf Med End NVMe	NVMe	3.8TB
HCIX-NVME4-7680	7.6TB 2.5in U.2 15mm P5520 Hg Perf Med End NVMe	NVMe	7.6TB
HCIX-NVME4-15360	15.3TB 2.5in U.2 15mm P5520 Hg Perf Med End NVMe	NVMe	15.3TB
HCIX-NVMEG4-M1920	1.9TB 2.5in U.3 15mm P7450 Hg Perf Med End NVMe	NVMe	1.9TB
HCIX-NVMEG4-M3840	3.8TB 2.5in U.3 15mm P7450 Hg Perf Med End NVMe	NVMe	3.8TB
HCIX-NVMEG4-M7680	7.6TB 2.5in U.3 15mm P7450 Hg Perf Med End NVMe	NVMe	7.6TB
HCIX-NVMEG4-M1536	15.3TB 2.5in U.3 15mm P7450 Hg Perf Med End NVMe	NVMe	15.3TB

Approved Configurations

- Three to six PCIe U.2/U.3 NVMe drives

STEP 10 ORDER M.2 SATA SSDs AND RAID CONTROLLER

- **Cisco 6GB/s SATA Boot-Optimized M.2 RAID Controller (included):** Boot-Optimized RAID controller (HCIX-M2-HWRD-FPS) for hardware RAID across two SATA M.2 storage modules. The Boot-Optimized RAID controller plugs into the motherboard and the M.2 SATA drives plug into the Boot-Optimized RAID controller.



NOTE:

- The HCIX-M2-HWRD-FPS is auto included with the server configuration
- The HCIX-M2-HWRD-FPS controller supports RAID 1 and JBOD mode and is available only with 240GB, 480GB, and 960GB M.2 SATA SSDs.
- Cisco IMM is supported for configuring of volumes and monitoring of the controller and installed SATA M.2 drives
- Hot-plug replacement is not supported. The Cisco Compute Hyperconverged Node must be powered off to replace.
- The Boot-Optimized RAID controller supports Windows and Linux Operating Systems

Table 21 Boot-Optimized RAID controller (auto included)

Product ID (PID)	PID Description
HCIX-M2-HWRD-FPS	HCIX Front panel with M.2 RAID controller for SATA drives

- **Select Cisco M.2 SATA SSDs:** Order one or two matching M.2 SATA SSDs. This connector accepts the boot-optimized RAID controller (see [Table 21](#)). Each boot-optimized RAID controller can accommodate up to two SATA M.2 SSDs shown in [Table 22](#).



NOTE:

- Each boot-optimized RAID controller can accommodate up to two SATA M.2 SSDs shown in [Table 22](#). The boot-optimized RAID controller plugs into the motherboard.
- It is recommended that M.2 SATA SSDs be used as boot-only devices.
- The SATA M.2 drives can boot in UEFI mode only. Legacy boot mode is not supported.

Table 22 M.2 SATA SSDs

Product ID (PID)	PID Description
HCIX-M2-240G	240GB 2.5in M.2 SATA Micron G2 SSD
HCIX-M2-480G	480GB 2.5in M.2 SATA Micron G2 SSD
HCIX-M2-I240GB	240GB M.2 Boot SATA Intel SSD
HCIX-M2-I480GB	480GB M.2 Boot SATA Intel SSD

STEP 11 CHOOSE OPTIONAL TRUSTED PLATFORM MODULE

Trusted Platform Module (TPM) is a computer chip or microcontroller that can securely store artifacts used to authenticate the platform or Cisco Compute Hyperconverged HCIX210c M7 All-NVMe Node. These artifacts can include passwords, certificates, or encryption keys. A TPM can also be used to store platform measurements that help ensure that the platform remains trustworthy. Authentication (ensuring that the platform can prove that it is what it claims to be) and attestation (a process helping to prove that a platform is trustworthy and has not been breached) are necessary steps to ensure safer computing in all environments.

Table 23 Available TPM Option

Product ID (PID)	Description
HCIX-TPM-002C	Trusted Platform Module 2.0, FIPS140-2 Compliant, HCIX M7 server
HCIX-TPM-OPT-OUT ¹	OPT OUT, TPM 2.0, TCG, FIPS140-2, CC EAL4+ Certified

Notes:

1. Please note Microsoft certification requires a TPM 2.0 for bare-metal or guest VM deployments. Opt-out of the TPM 2.0 voids the Microsoft certification.



NOTE:

- The TPM module used in this system conforms to TPM v2.0 as defined by the Trusted Computing Group (TCG).
- TPM installation is supported after-factory. However, a TPM installs with a one-way screw and cannot be replaced, upgraded, or moved to another Cisco Compute Hyperconverged Node. If a Cisco Compute Hyperconverged HCIX210c M7 All-NVMe Node with a TPM is returned, the replacement Cisco Compute Hyperconverged HCIX210c M7 All-NVMe Node must be ordered with a new TPM. If there is no existing TPM in the Cisco Compute Hyperconverged HCIX210c M7 All-NVMe Node, you can install a TPM 2.0. Refer to the following document for Installation location and instructions:

https://www.cisco.com/content/en/us/td/docs/unified_computing/ucs/x/hw/210c-m6/install/b-cisco-ucs-x210c-m7-install.html

STEP 12 SELECT HYPERVISOR

Cisco Hypervisor options are listed in [Table 24](#).

Table 24 Hypervisor





Product ID (PID)	PID Description
HCIX-AOSAHV-68SWK9	Cisco Compute Hyperconverged Acropolis Operating System (AOS) Acropolis Hypervisor (AHV) 6.8 Software

STEP 13 SELECT NUTANIX SOFTWARE AND NUTANIX PROFESSIONAL SERVICES

- **Top Level Nutanix Software And Professional Services PIDs on page 36**
 - [Table 25, Top Level Nutanix Software And Professional Services PIDs](#)
- **Nutanix Software And Professional Services PID Decoder on page 38**
 - [Table 27.0, Nutanix Software PID Decoder \(WW-XX-YY-ZZ\)](#)
 - [Table 27.1, Nutanix Professional Services PID Decoder \(WW-XX-YY-ZZ\)](#)
- **Nutanix Software PIDs and Description on page 39**
 - [Table 30.0, Nutanix Cloud Infrastructure \(NCI\)](#)
 - [Table 30.1, Nutanix Cloud Infrastructure Data \(NCI-D\)](#)
 - [Table 30.2, Nutanix Cloud Infrastructure Edge \(NCI-E\)](#)
 - [Table 30.3, End User Computing \(EUC\)](#)
 - [Table 30.4, Nutanix Cloud Manager \(NCM\)](#)
 - [Table 30.5, Nutanix Cloud Manager Edge \(NME\)](#)
 - [Table 30.6, Nutanix Cloud Manager EUC \(NCM-U\)](#)
 - [Table 30.7, Nutanix Cloud Platform \(NCP\)](#)
 - [Table 30.8, Nutanix Unified Storage™ \(NUS\)](#)
 - [Table 30.9, Nutanix Data Lens \(NDL\)](#)
 - [Table 30.10, Nutanix Kubernetes Platform \(NKP\)](#)
- **Professional Services PIDs and Description on page 72**
 - [Table 31.0, NCI Design Workshop](#)
 - [Table 31.1, NCI Cluster Deployment or Expansion](#)
 - [Table 31.2, Virtual Machine Migration Workshop](#)
 - [Table 31.3, Virtual Machine Migration](#)
 - [Table 31.4, NCM Self-Service Design Workshop](#)
 - [Table 31.5, NCM Intelligent Operations Design Workshop](#)
 - [Table 31.6, NCM Intelligent Operations Deployment](#)
 - [Table 31.7, FastTrack for NCM Self-Service](#)
 - [Table 31.8, FastTrack for NCM Cost Governance](#)
 - [Table 31.9, Nutanix Flexible Credits](#)
- **Nutanix Support: on page 82**
- **Software With Professional Services PID Mapping on page 83**
 - [Table 33.0, Nutanix Software NCI, NKP, NCI-D, NCI-Edge, EUC, NCP \(NCI-PRO\), NCP \(NCI-ULT\) 1 YEAR SUBSCRIPTION with professional services PID Mapping](#)
 - [Table 33.1, Nutanix Software NCI, NKP, NCI-D, NCI-Edge, EUC, NCM-U, NCP \(NCI-PRO\), NCP \(NCI-ULT\) 3 YEAR SUBSCRIPTION with professional services PID Mapping](#)
 - [Table 34.0, Nutanix Software NCM STR 1 YEAR SUBSCRIPTION with professional services PID Mapping](#)
 - [Table 34.1, Nutanix Software NCM STR 3 YEAR AND ABOVE SUBSCRIPTION with Professional Services PID Mapping](#)
 - [Table 35, Nutanix Software NCM PRO, NCM ULT, NCP \(NCM-PRO\), NCP \(NCM-ULT\) 1 YEAR AND 3 YEAR & ABOVE SUBSCRIPTION with Professional services](#)

Top Level Nutanix Software And Professional Services PIDs

Table 25 Top Level Nutanix Software And Professional Services PIDs

ATO Product ID (PID)	Description
NTX-SW	Nutanix Software 3Y and above  NOTE: Please refer to the complete list of Nutanix Software PIDs and Description on page 39
NTX-SW-1Y	Nutanix Software 1Y  NOTE: Please refer to the complete list of Nutanix Software PIDs and Description on page 39
NTX-NCI-USE-CASE ¹	Nutanix NCI Software License Use case  NOTE: Please refer to the complete list of Nutanix Software PIDs and Description on page 39
NTX-SW-PS	Nutanix Professional Service  NOTE: Please refer to the complete list of Professional Services PIDs and Description on page 72

Notes:

1. A selection of NTX-NCI-USE-CASE from Nutanix Software Category is required when Nutanix Cloud Infrastructure Software License (NCI / NCI-D / NCI-E) is selected. There are a few conditions under which NT-PUBLIC-CLOUD can be used. refer to the [KB article](#) for more details. Please choose one of them from the [Table 26](#), if you select the NTX-NCI-USE-CASE.

Table 26 Nutanix NCI Software License Use case

Product ID (PID)	Description
NT-ON-PREM-UCS	Use Case to License Nutanix SW on Certified Cisco UCS HW
NT-PUBLIC-CLOUD	Use Case to License Nutanix SW (NC2) Running in Public Cloud (AWS/Azure)Hide
NT-OTHER	Use Case for all other Nutanix SW that is not covered above

**NOTE:****(1) 1 Year Subscription term:**

- All Nutanix software package subscription requires **mandatory** attach of Nutanix Professional Services.

(2) 3 Year Subscription term:

- For Nutanix Cloud Infrastructure (NCI) software, it is **recommended** to attach Nutanix Professional Services during ordering.
- For Nutanix Cloud Manager (NCM) software, only Professional (PRO) subscription and Ultimate (ULT) subscription requires **mandatory** Nutanix Professional Services.

(3) Nutanix NCI Software License Use case:

- Ratio of cores between cloud and on-prem must be 70/30 or greater, meaning $\geq 30\%$ of cores must be licensed for on-prem usage. Cloud only deals, public cloud marketplace deals, and hybrid cloud deals with other vendor hardware are not allowed.
- Must include mention of hybrid cloud in your Nutanix deal registration.
- Must select the appropriate public cloud use-case SKU when building a CCW configuration.

(4) Any future expansion opportunity does not require **mandatory Nutanix Professional Services attach.**

(5) Cisco and Nutanix products are each subject to their own terms and conditions, including support timelines and milestones. This includes the Nutanix Cloud Platform software and qualified Cisco UCS hardware platforms sold together as part of the Cisco Compute Hyperconverged with Nutanix solution. Carefully review [Nutanix's EoL portal](#) for support timelines by hardware platform. Cisco's UCS hardware support milestones may not align with Nutanix's support milestones. Therefore, it is important to plan your hardware and software refresh cycles based on the earlier of the two dates (hardware support from Cisco and software support from Nutanix). It is your responsibility to check the Nutanix software term length desired against the support time frames for the quoted UCS hardware platform.

Nutanix licenses are transferable to newer generation Cisco UCS platforms subject to Nutanix's end user license agreement. Refer to [Nutanix's Support FAQs](#) for details and definitions of Nutanix's End of Life and End of Support Life milestones. Refer to [Cisco's EoL policy](#) for details and definitions of Cisco's End of Life and Last Date of Support milestones.

Nutanix Software And Professional Services PID Decoder

Table 27.0 Nutanix Software PID Decoder (WW-XX-YY-ZZ)

Identifier#1 (WW)	Identifier#2 (XX)	Identifier#3 (YY)	Identifier#4 (ZZ)
Nutanix Product Family:	Nutanix Software Type/Category:	License Tiers:	Support Tier:
NT	NCI: Nutanix Cloud Infrastructure NCI-D: Nutanix Cloud Infrastructure Data NCI-E: Nutanix Cloud Infrastructure Edge EUC: End User Computing NCM: Nutanix Cloud Manager NME: Nutanix Cloud Manager Edge NCM-U: Nutanix Cloud Manager End User Computing NCP: Nutanix Cloud Platform NUS: Nutanix Unified Storage™ NDL: Nutanix Data Lens NKP: Nutanix Kubernetes Platform	STR: Starter PRO: Professional ULT: Ultimate	PR: Production MC: Mission Critical AP: (ASP Production) AM: (ASP Mission Critical) FP: US Federal Production FM: US Federal Mission Critical
NOTE: Note for example “NT-NCI-STR-PR” PID can be decoded as, NT=Nutanix, NCI=Nutanix Cloud Infrastructure, STR=Starter, PR=Production			

Table 27.1 Nutanix Professional Services PID Decoder (WW-XX-YY-ZZ)

Identifier#1 (WW)	Identifier#2 (XX)	Identifier#3 (YY)	Identifier#4 (ZZ)
Nutanix Product Family:	Nutanix Professional Services Offering:	Nutanix Product Tier:	Nutanix Professional Services Option:
NT	Design W-DS: NCI Design Workshop W-SSD: NCM Self-Service Design Workshop W-OD: NCM Intelligent Operations Design Workshop Deploy S-DP: NCI Cluster Deployment or Expansion S-OP: NCM Intelligent Operations Deployment F-SS: FastTrack for NCM Self-Service F-CG: FastTrack for NCM Cost Governance Migrate W-MG: Virtual Machine Migration Workshop S-MG-VM: Virtual Machine Migration Custom FLEX-CST-CR: Flexible Credits	STR: Starter PRO: Professional ULT: Ultimate	Design ED: Enhanced Documentation SD: Standard Documentation Deploy AV-PB: Pro AHV Nodes Base AV-PV: Pro AHV Nodes Variable EX-PB: Pro ESX Nodes Base EX-PV: Pro ESX Nodes Variable AV-SB: Starter AHV Nodes Base AV-SV: Starter AHV Nodes Variable EX-SB: Starter ESX Nodes Base EX-SV: Starter ESX Nodes Variable AVB: Starter AHV Nodes Base AVV: Starter AHV Nodes Variable EXB: Starter ESX Nodes Base EXV: Starter ESX Nodes Variable AV-UB: Ultimate AHV Nodes Base AV-UV: Ultimate AHV Nodes Variable EX-UB: Ultimate ESX Nodes Base EX-UV: Ultimate ESX Nodes Variable
NOTE: Note for example “NT-W-DS-STR-SD” PID can be decoded as, NT=Nutanix, W-DS= Design Workshop, STR=Starter, SD= Standard Documentation			

Nutanix Software PIDs and Description

Table 28 Software Options and Metric

Software Option	Software Description	Metric
Nutanix Cloud Infrastructure (NCI)	NCI is a complete software stack to unify your hybrid cloud infrastructure including compute, storage and network, hypervisors, and containers, in public or enterprise clouds	Per Core
Nutanix Cloud Infrastructure Data (NCI-D)	Delivers rich data and storage services but does not include Nutanix compute and networking capabilities. No support for AHV	Per Core
Nutanix Cloud Infrastructure Edge (NCI-Edge)	Nutanix Cloud Infrastructure - Edge (NCI-Edge) provides a distributed infrastructure platform for small edge deployments. NCI-Edge provides the same capabilities as NCI, combining compute, storage, and networking resources from a cluster of servers into a single logical pool with integrated resiliency, security, performance, and simplified administration.	Per VM
Nutanix Cloud Manager (NCM)	NCM offers intelligent operations, self service and orchestration, visibility and governance of spend, security and teams	Per Core
Nutanix Cloud Manager Edge (NCM-E)	Provides NCM capabilities for Edge deployments	Per VM
Nutanix Cloud Manager EUC (NCM-U)	Provides NCM capabilities in VDI use cases	Per User
Nutanix Cloud Platform (NCP)	Bundle for NCI and NCM	Per Core
Nutanix Unified Storage™ (NUS)	Nutanix Unified Storage™ (NUS) is a software-defined data services platform that consolidates the management and protection of siloed block, file, and object storage into a single, unified platform.	Per TIB
Nutanix Data Lens (NDL)	Nutanix Data Lens is a SaaS-based cyberstorage solution offering ransomware resilience and global data visibility for unstructured data on Nutanix Unified Storage (NUS).	Per TIB
End User Computing (EUC)	on-prem VDI and Desktop as a Service (DaaS) use cases	Per User
Nutanix Kubernetes Platform (NKP)	Nutanix Kubernetes Platform (NKP) combines the Nutanix Kubernetes Engine (NKE) features with their acquisition of the D2iQ product family to bring a consolidated runtime, orchestration, and management environment to our cloud native customers.	Per Core/Per VM ¹

Notes:

1. For NKP FS STR/PRO/ULT, the metric is calculated per core, whereas for NKP PRO/ULT, the calculated is measured per VM.

Table 29 Nutanix Software License Tiers

NCI Starter	NCI Professional	NCI Ultimate
<p>Core set of software functionality</p> <p>Ideal for: Small-scale deployments with a limited set of workloads (on-prem only)</p>	<p>Rich data services, resilience and management features</p> <p>Ideal for: Running multiple applications or large-scale single workload deployments (on-prem or in public clouds)</p>	<p>Full suite of Nutanix software capabilities to tackle complex infrastructure challenges</p> <p>Ideal for: Multi-site deployments and advanced security requirements (on-prem or in public clouds)</p>



NOTE:

- Prism Central will be required for all licensing actions.
- Licenses are portable across Cisco hardware platforms in HCL.

(1) Nutanix Cloud Infrastructure (NCI):

Nutanix Cloud Infrastructure (NCI) converges the entire datacenter stack, including compute, storage, storage networking, and virtualization and is at the core of creating a hyperconverged infrastructure environment. Complex and expensive legacy infrastructure is replaced by NCI, running on industry-standard servers loaded with the latest hardware technologies. This allows enterprises to deploy what you need for the short term, and scale on-demand as infrastructure needs increase over time. Each server, often referred to as a node in the context of HCI, is an x86 platform with direct-attached storage drives. NCI software runs on each node, distributing all operating functions across the cluster for superior performance and resilience, and enabling seamless scalability.



NOTE:

- For more information about Nutanix Cloud Infrastructure (NCI), please visit <https://www.nutanix.com/products/nutanix-cloud-infrastructure>
- For more information about Nutanix Cloud Platform software options, please visit <https://www.nutanix.com/products/cloud-platform/software-options>
- Please note that the Federal Support program is reserved for US Federal accounts. US Federal accounts must select Federal Support Tier for the order to be fulfilled. If a non-Federal account selects a Federal Support program, Nutanix may not fulfill the order. Additionally, Nutanix's Mixed Support Level Guidelines(<https://www.nutanix.com/support-services/product-support/support-policies-and-faqs?show=accordion-4>) requires all software assets within a cluster to have the same support level, else software support will default to the lower option.
- Sellers in the Federal space need to ensure they have the Federal Support SKU's on the quote and order. All orders without the Federal Support SKU's will be rejected by Nutanix. Refer this Knowledge base article for more info: <https://compute.kb.cisco.com/article/nutanix-support-for-federal-customers.html>
- Authorized Partners of Nutanix can offer Level 1 & Level 2 support for Nutanix Software. for the complete list visit <https://compute.kb.cisco.com/article/rules-for-ordering-nutanix-partner-support-skus.html>
- **The quantity of NCI license must match with total number for processor cores in hardware platforms.**

Table 30.0 Nutanix Cloud Infrastructure (NCI)

Product ID (PID)	PID Description
STR - STARTER	
NT-NCI-STR-PR	Subscription, Nutanix Cloud Infrastructure (NCI) Starter Software License & Production Software Support Service for 1 CPU Core
NT-NCI-STR-MC	Subscription, Nutanix Cloud Infrastructure (NCI) Starter Software License & Mission Critical Software Support Service for 1 CPU Core
NT-NCI-STR-AP	Subscription, Nutanix Cloud Infrastructure (NCI) Starter Software License & L3 Production Software Support Service for 1 CPU Core (Authorized Support Partners provides L1, L2 support)

Table 30.0 Nutanix Cloud Infrastructure (NCI)

NT-NCI-STR-AM	Subscription, Nutanix Cloud Infrastructure (NCI) Starter Software License & L3 Mission Critical Software Support Service for 1 CPU Core (Authorized Support Partners provides L1, L2 support)
NT-NCI-STR-FP	Subscription, Nutanix Cloud Infrastructure (NCI) Starter Software License & Federal Production Software Support Service for 1 CPU Core
NT-NCI-STR-FM	Subscription, Nutanix Cloud Infrastructure (NCI) Starter Software License & Federal Mission Critical Software Support Service for 1 CPU Core
PRO - PROFESSIONAL	
NT-NCI-PRO-PR	Subscription, Nutanix Cloud Infrastructure (NCI) Pro Software License & Production Software Support Service for 1 CPU Core
NT-NCI-PRO-MC	Subscription, Nutanix Cloud Infrastructure (NCI) Pro Software License & Mission Critical Software Support Service for 1 CPU Core
NT-NCI-PRO-AP	Subscription, Nutanix Cloud Infrastructure (NCI) Professional Software License & L3 Production Software Support Service for 1 CPU Core (Authorized Support Partners provides L1, L2 support)
NT-NCI-PRO-AM	Subscription, Nutanix Cloud Infrastructure (NCI) Professional Software License & L3 Mission Critical Software Support Service for 1 CPU Core (Authorized Support Partners provides L1, L2 support)
NT-NCI-PRO-FP	Subscription, Nutanix Cloud Infrastructure (NCI) Pro Software License & Federal Production Software Support Service for 1 CPU Core
NT-NCI-PRO-FM	Subscription, Nutanix Cloud Infrastructure (NCI) Pro Software License & Federal Mission Critical Software Support Service for 1 CPU Core
ULT - ULTIMATE	
NT-NCI-ULT-PR	Subscription, Nutanix Cloud Infrastructure (NCI) Ultimate Software License & Production Software Support Service for 1 CPU Core
NT-NCI-ULT-MC	Subscription, Nutanix Cloud Infrastructure (NCI) Ultimate Software License & Mission Critical Software Support Service for 1 CPU Core
NT-NCI-ULT-AP	Subscription, Nutanix Cloud Infrastructure (NCI) Ultimate Software License & L3 Production Software Support Service for 1 CPU Core (Authorized Support Partners provides L1, L2 support)
NT-NCI-ULT-AM	Subscription, Nutanix Cloud Infrastructure (NCI) Ultimate Software License & Mission Critical Software Support Service for 1 CPU Core (Authorized Support Partners provides L1, L2 support)
NT-NCI-ULT-FP	Subscription, Nutanix Cloud Infrastructure (NCI) Ultimate Software License & Federal Production Software Support Service for 1 CPU Core
NT-NCI-ULT-FM	Subscription, Nutanix Cloud Infrastructure (NCI) Ultimate Software License & Federal Mission Critical Software Support Service for 1 CPU Core
ADVANCED REPLICATION	
NT-A-NCI-ADR-PR	Subscription, Nutanix Cloud Infrastructure (NCI) Advanced Replication add-on Software License & Production Software Support Service for 1 CPU Core

Table 30.0 Nutanix Cloud Infrastructure (NCI)

NT-A-NCI-ADR-MC	Subscription, Nutanix Cloud Infrastructure (NCI) Advanced Replication add-on Software License & Mission Critical Software Support Service for 1 CPU Core
NT-A-NCI-ADR-AP	Subscription, Nutanix Cloud Infrastructure (NCI) Advanced Replication add-on Software License & L3 Production Software Support Service for 1 CPU Core (Authorized Support Partners provides L1, L2 support)
NT-A-NCI-ADR-AM	Subscription, Nutanix Cloud Infrastructure (NCI) Advanced Replication add-on Software License & L3 Mission Critical Software Support Service for 1 CPU Core (Authorized Support Partners provides L1, L2 support)
NT-A-NCI-ADR-FP	Subscription, Nutanix Cloud Infrastructure (NCI) Advanced Replication add-on Software License & Federal Production Software Support Service for 1 CPU Core
NT-A-NCI-ADR-FM	Subscription, Nutanix Cloud Infrastructure (NCI) Advanced Replication add-on Software License & Federal Mission Critical Software Support Service for 1 CPU Core
SECURITY	
NT-A-NCI-SEC-PR	Subscription, Nutanix Cloud Infrastructure (NCI) Security add-on Software License & Production Software Support Service for 1 CPU Core
NT-A-NCI-SEC-MC	Subscription, Nutanix Cloud Infrastructure (NCI) Security add-on Software License & Mission Critical Software Support Service for 1 CPU Core
NT-A-NCI-SEC-AP	Subscription, Nutanix Cloud Infrastructure (NCI) Security add-on Software License & L3 Production Software Support Service for 1 CPU Core (Authorized Support Partners provides L1, L2 support)
NT-A-NCI-SEC-AM	Subscription, Nutanix Cloud Infrastructure (NCI) Security add-on Software License & L3 Mission Critical Software Support Service for 1 CPU Core (Authorized Support Partners provides L1, L2 support)
NT-A-NCI-SEC-FP	Subscription, Nutanix Cloud Infrastructure (NCI) Security add-on Software License & Federal Production Software Support Service for 1 CPU Core
NT-A-NCI-SEC-FM	Subscription, Nutanix Cloud Infrastructure (NCI) Security add-on Software License & Federal Mission Critical Software Support Service for 1 CPU Core

Table 33.0, Nutanix Software NCI, NKP, NCI-D, NCI-Edge, EUC, NCP (NCI-PRO), NCP (NCI-ULT) 1 YEAR SUBSCRIPTION with professional services PID Mapping

Table 33.1, Nutanix Software NCI, NKP, NCI-D, NCI-Edge, EUC, NCM-U, NCP (NCI-PRO), NCP (NCI-ULT) 3 YEAR SUBSCRIPTION with professional services PID Mapping

(2) Nutanix Cloud Infrastructure Data (NCI-D):

Nutanix supports freedom of choice of hypervisor and container platform, by offering a version called NCI Data that delivers rich data and storage services but does not include Nutanix compute and networking capabilities. Support for Hypervisor specific features, such as GPU support on ESXi, is not impacted by NCI Data licensing tiers.



NOTE:

- For more information about Nutanix Cloud Infrastructure (NCI), please visit <https://www.nutanix.com/products/nutanix-cloud-infrastructure>
- For more information about Nutanix Cloud Platform software options, please visit <https://www.nutanix.com/products/cloud-platform/software-options> Please note, the grey rows in the software options table under NCI are not included in NCI Data.
- Please note that the Federal Support program is reserved for US Federal accounts. US Federal accounts must select Federal Support Tier for the order to be fulfilled. If a non-Federal account selects a Federal Support program, Nutanix may not fulfill the order. Additionally, Nutanix's Mixed Support Level Guidelines(<https://www.nutanix.com/support-services/product-support/support-policies-and-faqs?show=accordion-4>) requires all software assets within a cluster to have the same support level, else software support will default to the lower option.
- Sellers in the Federal space need to ensure they have the Federal Support SKU's on the quote and order. All orders without the Federal Support SKU's will be rejected by Nutanix.Refer this Knowledge base article for more info: <https://computekb.cisco.com/article/nutanix-support-for-federal-customers.html>
- Authorized Partners of Nutanix can offer Level 1 & Level 2 support for Nutanix Software. for the complete list visit <https://computekb.cisco.com/article/rules-for-ordering-nutanix-partner-support-skus.html>
- **The quantity of NCI-D license must match with total number for processor cores in hardware platforms.**

Table 30.1 Nutanix Cloud Infrastructure Data (NCI-D)

Product ID (PID)	PID Description
STR - STARTER	
NT-NCI-D-STR-PR	Subscription, Nutanix Cloud Infrastructure Data (NCI-D) Starter Software License & Production Software Support Service for 1 CPU Core
NT-NCI-D-STR-MC	Subscription, Nutanix Cloud Infrastructure Data (NCI-D) Starter Software License & Mission Critical Software Support Service for 1 CPU Core
NT-NCI-D-STR-AP	Subscription, Nutanix Cloud Infrastructure Data (NCI-D) Starter Software License & L3 Production Software Support Service for 1 CPU Core (Authorized Support Partners provides L1, L2 support)
NT-NCI-D-STR-AM	Subscription, Nutanix Cloud Infrastructure Data (NCI-D) Starter Software License & L3 Mission Critical Software Support Service for 1 CPU Core (Authorized Support Partners provides L1, L2 support)
NT-NCI-D-STR-FP	Subscription, Nutanix Cloud Infrastructure Data (NCI-D) Starter Software License & Federal Production Software Support Service for 1 CPU Core

Table 30.1 Nutanix Cloud Infrastructure Data (NCI-D)

NT-NCI-D-STR-FM	Subscription, Nutanix Cloud Infrastructure Data (NCI-D) Starter Software License & Federal Mission Critical Software Support Service for 1 CPU Core
PRO - PROFESSIONAL	
NT-NCI-D-PRO-PR	Subscription, Nutanix Cloud Infrastructure Data (NCI-D) Pro Software License & Production Software Support Service for 1 CPU Core
NT-NCI-D-PRO-MC	Subscription, Nutanix Cloud Infrastructure Data (NCI-D) Pro Software License & Mission Critical Software Support Service for 1 CPU Core
NT-NCI-D-PRO-AP	Subscription, Nutanix Cloud Infrastructure Data (NCI-D) Pro Software License & L3 Production Software Support Service for 1 CPU Core (Authorized Support Partners provides L1, L2 support)
NT-NCI-D-PRO-AM	Subscription, Nutanix Cloud Infrastructure Data (NCI-D) Pro Software License & L3 Mission Critical Software Support Service for 1 CPU Core (Authorized Support Partners provides L1, L2 support)
NT-NCI-D-PRO-FP	Subscription, Nutanix Cloud Infrastructure Data (NCI-D) Pro Software License & Federal Production Software Support Service for 1 CPU Core
NT-NCI-D-PRO-FM	Subscription, Nutanix Cloud Infrastructure Data (NCI-D) Pro Software License & Federal Mission Critical Software Support Service for 1 CPU Core
ULT - ULTIMATE	
NT-NCI-D-ULT-PR	Subscription, Nutanix Cloud Infrastructure Data (NCI-D) Ultimate Software License & Production Software Support Service for 1 CPU Core
NT-NCI-D-ULT-MC	Subscription, Nutanix Cloud Infrastructure Data (NCI-D) Ultimate Software License & Mission Critical Software Support Service for 1 CPU Core
NT-NCI-D-ULT-AP	Subscription, Nutanix Cloud Infrastructure Data (NCI-D) Ultimate Software License & L3 Production Software Support Service for 1 CPU Core (Authorized Support Partners provides L1, L2 support)
NT-NCI-D-ULT-AM	Subscription, Nutanix Cloud Infrastructure Data (NCI-D) Ultimate Software License & L3 Mission Critical Software Support Service for 1 CPU Core (Authorized Support Partners provides L1, L2 support)
NT-NCI-D-ULT-FP	Subscription, Nutanix Cloud Infrastructure Data (NCI-D) Ultimate Software License & Federal Production Software Support Service for 1 CPU Core
NT-NCI-D-ULT-FM	Subscription, Nutanix Cloud Infrastructure Data (NCI-D) Ultimate Software License & Federal Mission Critical Software Support Service for 1 CPU Core
ADVANCED REPLICATION	
NT-A-NCI-D-ADR-PR	Subscription, Nutanix Cloud Infrastructure Data (NCI-D) Advanced Replication add-on Software License & Production Software Support Service for 1 CPU Core
NT-A-NCI-D-ADR-MC	Subscription, Nutanix Cloud Infrastructure Data (NCI-D) Advanced Replication add-on Software License & Mission Critical Software Support Service for 1 CPU Core

Table 30.1 Nutanix Cloud Infrastructure Data (NCI-D)

NT-A-NCI-D-ADR-AP	Subscription, Nutanix Cloud Infrastructure Data (NCI-D) Advanced Replication add-on Software License & L3 Production Software Support Service for 1 CPU Core (Authorized Support Partners provides L1, L2 support)
NT-A-NCI-D-ADR-AM	Subscription, Nutanix Cloud Infrastructure Data (NCI-D) Advanced Replication add-on Software License & L3 Mission Critical Software Support Service for 1 CPU Core (Authorized Support Partners provides L1, L2 support)
NT-A-NCI-D-ADR-FP	Subscription, Nutanix Cloud Infrastructure Data (NCI-D) Advanced Replication add-on Software License & Federal Production Software Support Service for 1 CPU Core
NT-A-NCI-D-ADR-FM	Subscription, Nutanix Cloud Infrastructure Data (NCI-D) Advanced Replication add-on Software License & Federal Mission Critical Software Support Service for 1 CPU Core
SECURITY	
NT-A-NCI-D-SEC-PR	Subscription, Nutanix Cloud Infrastructure Data (NCI-D) Security add-on Software License & Production Software Support Service for 1 CPU Core
NT-A-NCI-D-SEC-MC	Subscription, Nutanix Cloud Infrastructure Data (NCI-D) Security add-on Software License & Mission Critical Software Support Service for 1 CPU Core
NT-A-NCI-D-SEC-AP	Subscription, Nutanix Cloud Infrastructure Data (NCI-D) Security add-on Software License & L3 Production Software Support Service for 1 CPU Core (Authorized Support Partners provides L1, L2 support)
NT-A-NCI-D-SEC-AM	Subscription, Nutanix Cloud Infrastructure Data (NCI-D) Security add-on Software License & L3 Mission Critical Software Support Service for 1 CPU Core (Authorized Support Partners provides L1, L2 support)
NT-A-NCI-D-SEC-FP	Subscription, Nutanix Cloud Infrastructure Data (NCI-D) Security add-on Software License & Federal Production Software Support Service for 1 CPU Core
NT-A-NCI-D-SEC-FM	Subscription, Nutanix Cloud Infrastructure Data (NCI-D) Security add-on Software License & Federal Mission Critical Software Support Service for 1 CPU Core

[Table 33.0, Nutanix Software NCI, NKP, NCI-D, NCI-Edge, EUC, NCP \(NCI-PRO\), NCP \(NCI-ULT\) 1 YEAR SUBSCRIPTION with professional services PID Mapping](#)

[Table 33.1, Nutanix Software NCI, NKP, NCI-D, NCI-Edge, EUC, NCM-U, NCP \(NCI-PRO\), NCP \(NCI-ULT\) 3 YEAR SUBSCRIPTION with professional services PID Mapping](#)

(3) Nutanix Cloud Infrastructure Edge (NCI-E):

Nutanix Cloud Infrastructure - Edge (NCI-E) provides a distributed infrastructure platform for small edge deployments. NCI-Edge provides the same capabilities as NCI, combining compute, storage, and networking resources from a cluster of servers into a single logical pool with integrated resiliency, security, performance, and simplified administration. With NCI-Edge, organizations can efficiently extend the Nutanix platform to remote office/branch office (ROBO) and other edge use cases.

- 1 TiB of NUS Pro per NCI-Edge cluster is included at no cost with NCI-Edge.
- NCI-Edge licenses must run on a dedicated licensed cluster with no core-based licensing. Mixing of NCI-Edge licenses with other types of NCI licensing within a cluster is not supported.
- NCI-Edge can be used with any cluster deployment type as long as the conditions mentioned are followed.
- Maximum nodes for the Edge cluster is 5.



NOTE:

- For more information about Nutanix Cloud Infrastructure (NCI), please visit <https://www.nutanix.com/products/nutanix-cloud-infrastructure>
- For more information about Nutanix NCI Edge software options, please visit <https://www.nutanix.com/products/cloud-platform/software-options>
- Please note that the Federal Support program is reserved for US Federal accounts. US Federal accounts must select Federal Support Tier for the order to be fulfilled. If a non-Federal account selects a Federal Support program, Nutanix may not fulfill the order. Additionally, Nutanix's Mixed Support Level Guidelines(<https://www.nutanix.com/support-services/product-support/support-policies-and-faqs?show=accordion-4>) requires all software assets within a cluster to have the same support level, else software support will default to the lower option.
- Sellers in the Federal space need to ensure they have the Federal Support SKU's on the quote and order. All orders without the Federal Support SKU's will be rejected by Nutanix. Refer this Knowledge base article for more info: <https://computekb.cisco.com/article/nutanix-support-for-federal-customers.html>
- Authorized Partners of Nutanix can offer Level 1 & Level 2 support for Nutanix Software. for the complete list visit <https://computekb.cisco.com/article/rules-for-ordering-nutanix-partner-support-skus.html>
- **NCI-Edge is limited to a maximum of 25 VMs in a cluster, with each VM being limited to a maximum of 96GB of memory.**
- **The quantity of NCI-Edge license must match with Total number for VMs running in the cluster.**
- **For the purpose of calculation, internal VMs (or Nutanix infrastructure VMs) such as Controller VM or Prism Central VM are not counted.**

Table 30.2 Nutanix Cloud Infrastructure Edge (NCI-E)

Product ID (PID)	PID Description
STR - STARTER	
NT-NCI-E-STR-PR	Subscription, Nutanix Cloud Infrastructure (NCI) Starter Software License for Edge sites & Production Software Support Service for 1 VM
NT-NCI-E-STR-MC	Subscription, Nutanix Cloud Infrastructure (NCI) Starter Software License for Edge sites & Mission Critical Software Support Service for 1 VM
NT-NCI-E-STR-AP	Subscription, Nutanix Cloud Infrastructure (NCI) Starter Software License for Edge sites & L3 Production Software Support Service for 1 VM (Authorized Support Partners provides L1, L2 support)

Table 30.2 Nutanix Cloud Infrastructure Edge (NCI-E)

NT-NCI-E-STR-AM	Subscription, Nutanix Cloud Infrastructure (NCI) Starter Software License for Edge sites & L3 Mission Critical Software Support Service for 1 VM (Authorized Support Partners provides L1, L2 support)
NT-NCI-E-STR-FP	Subscription, Nutanix Cloud Infrastructure (NCI) Starter Software License for Edge sites & Federal Production Software Support Service for 1 VM
NT-NCI-E-STR-FM	Subscription, Nutanix Cloud Infrastructure (NCI) Starter Software License for Edge sites & Federal Mission Critical Software Support Service for 1 VM
PRO - PROFESSIONAL	
NT-NCI-E-PRO-PR	Subscription, Nutanix Cloud Infrastructure (NCI) Pro Software License for Edge sites & Production Software Support Service for 1 VM
NT-NCI-E-PRO-MC	Subscription, Nutanix Cloud Infrastructure (NCI) Pro Software License for Edge sites & Mission Critical Software Support Service for 1 VM
NT-NCI-E-PRO-AP	Subscription, Nutanix Cloud Infrastructure (NCI) Pro Software License for Edge sites & L3 Production Software Support Service for 1 VM (Authorized Support Partners provides L1, L2 support)
NT-NCI-E-PRO-AM	Subscription, Nutanix Cloud Infrastructure (NCI) Pro Software License for Edge sites & L3 Mission Critical Software Support Service for 1 VM (Authorized Support Partners provides L1, L2 support)
NT-NCI-E-PRO-FP	Subscription, Nutanix Cloud Infrastructure (NCI) Pro Software License for Edge sites & Federal Production Software Support Service for 1 VM
NT-NCI-E-PRO-FM	Subscription, Nutanix Cloud Infrastructure (NCI) Pro Software License for Edge sites & Federal Mission Critical Software Support Service for 1 VM
ULT - ULTIMATE	
NT-NCI-E-ULT-PR	Subscription, Nutanix Cloud Infrastructure (NCI) Ultimate Software License for Edge sites & Production Software Support Service for 1 VM
NT-NCI-E-ULT-MC	Subscription, Nutanix Cloud Infrastructure (NCI) Ultimate Software License for Edge sites & Mission Critical Software Support Service for 1 VM
NT-NCI-E-ULT-AP	Subscription, Nutanix Cloud Infrastructure (NCI) Ultimate Software License for Edge sites & L3 Production Software Support Service for 1 VM (Authorized Support Partners provides L1, L2 support)
NT-NCI-E-ULT-AM	Subscription, Nutanix Cloud Infrastructure (NCI) Ultimate Software License for Edge sites & L3 Mission Critical Software Support Service for 1 VM (Authorized Support Partners provides L1, L2 support)
NT-NCI-E-ULT-FP	Subscription, Nutanix Cloud Infrastructure (NCI) Ultimate Software License for Edge sites & Federal Production Software Support Service for 1 VM
NT-NCI-E-ULT-FM	Subscription, Nutanix Cloud Infrastructure (NCI) Ultimate Software License for Edge sites & Federal Mission Critical Software Support Service for 1 VM

Table 33.0, Nutanix Software NCI, NKP, NCI-D, NCI-Edge, EUC, NCP (NCI-PRO), NCP (NCI-ULT) 1 YEAR SUBSCRIPTION with professional services PID Mapping

Table 33.1, Nutanix Software NCI, NKP, NCI-D, NCI-Edge, EUC, NCM-U, NCP (NCI-PRO), NCP (NCI-ULT) 3 YEAR SUBSCRIPTION with professional services PID Mapping

(4) End User Computing (EUC):

Per user model offers hybrid cloud infrastructure capabilities appropriate for on-prem virtual desktop infrastructure (VDI) and Desktop as a Service (DaaS) use cases with pricing based on a Maximum Concurrent User basis (maximum number of provisioned end-user VMs). EUC per user is an alternative to the core-based NCI licensing option and is designed to provide simple, transparent licensing for all VDI users, regardless of the underlying hardware, hypervisor, or cloud.

- **Agnostic:** Works with any EUC management platform including Citrix Virtual Apps & Desktops and VMware Horizon
- **Term license:** Term license must run on a dedicated software licensed VDI cluster with no core-based licensing. Mixing of non-VDI workloads is not supported
- **Unified Storage:** Built-in and also available as a per TiB base add-on
- No additional license cost for DR site
- Portable across on-premises and public cloud, public cloud use requires Ultimate edition
- Available in Starter, Pro, and Ultimate editions
- Cloud Native and Database Service Add-ons not available with NCI EUC. Advanced Replication and Security Add-on features require NCI Ultimate edition

	EUC STARTER	EUC PROFESSIONAL	VDI ULTIMATE
NCI Feature Set	Everything in NCI Starter	Everything in NCI Professional	Everything in NCI Ultimate
Nutanix Unified Storage	1 TiB Free Capacity	50 GB Per User	100GB Per User



NOTE:

- For more information on End User Computing (EUC), please visit <https://www.nutanix.com/solutions/end-user-computing>
- For more information about Nutanix Cloud Platform software options, please visit <https://www.nutanix.com/products/cloud-platform/software-options>
- If the end user wants to run a mixed workload on same server (virtual machines that are not part of the VDI environment), NCI license is required.
- Please note that the Federal Support program is reserved for US Federal accounts. US Federal accounts must select Federal Support Tier for the order to be fulfilled. If a non-Federal account selects a Federal Support program, Nutanix may not fulfill the order. Additionally, Nutanix's Mixed Support Level Guidelines(<https://www.nutanix.com/support-services/product-support/support-policies-and-faqs?show=accordion-4>) requires all software assets within a cluster to have the same support level, else software support will default to the lower option.
- Sellers in the Federal space need to ensure they have the Federal Support SKU's on the quote and order. All orders without the Federal Support SKU's will be rejected by Nutanix. Refer this Knowledge base article for more info: <https://computekb.cisco.com/article/nutanix-support-for-federal-customers.html>
- Authorized Partners of Nutanix can offer Level 1 & Level 2 support for Nutanix Software. for the complete list visit <https://computekb.cisco.com/article/rules-for-ordering-nutanix-partner-support-skus.html>
- **For 'PURE' EUC/VDI environment, there is no NCI license required.**

Table 30.3 End User Computing (EUC)

Product ID (PID)	PID Description
------------------	-----------------

Table 30.3 End User Computing (EUC)

STR - STARTER	
NT-EUC-STR-PR	Subscription, End User Computing (EUC) Starter Software License & Production Software Support Service for 1 User
NT-EUC-STR-MC	Subscription, End User Computing (EUC) Starter Software License & Mission Critical Software Support Service for 1 User
NT-EUC-STR-AP	Subscription, End User Computing (EUC) Starter Software License & L3 Production Software Support Service for 1 User (Authorized Support Partners provides L1, L2 support)
NT-EUC-STR-AM	Subscription, End User Computing (EUC) Starter Software License & L3 Mission Critical Software Support Service for 1 User (Authorized Support Partners provides L1, L2 support)
NT-EUC-STR-FP	Subscription, End User Computing (EUC) Starter Software License & Federal Production Software Support Service for 1 User
NT-EUC-STR-FM	Subscription, End User Computing (EUC) Starter Software License & Federal Mission Critical Software Support Service for 1 User
PRO- PROFESSIONAL	
NT-EUC-PRO-PR	Subscription, End User Computing (EUC) Pro Software License & Production Software Support Service for 1 User
NT-EUC-PRO-MC	Subscription, End User Computing (EUC) Pro Software License & Mission Critical Software Support Service for 1 User
NT-EUC-PRO-AP	Subscription, End User Computing (EUC) Pro Software License & L3 Production Software Support Service for 1 User (Authorized Support Partners provides L1, L2 support)
NT-EUC-PRO-AM	Subscription, End User Computing (EUC) Pro Software License & L3 Mission Critical Software Support Service for 1 User (Authorized Support Partners provides L1, L2 support)
NT-EUC-PRO-FP	Subscription, End User Computing (EUC) Pro Software License & Federal Production Software Support Service for 1 User
NT-EUC-PRO-FM	Subscription, End User Computing (EUC) Pro Software License & Federal Mission Critical Software Support Service for 1 User
ULT - ULTIMATE	
NT-EUC-ULT-PR	Subscription, End User Computing (EUC) Ultimate Software License & Production Software Support Service for 1 User
NT-EUC-ULT-MC	Subscription, End User Computing (EUC) Ultimate Software License & Mission Critical Software Support Service for 1 User
NT-EUC-ULT-AP	Subscription, End User Computing (EUC) Ultimate Software License & L3 Production Software Support Service for 1 User (Authorized Support Partners provides L1, L2 support)

Table 30.3 End User Computing (EUC)

NT-EUC-ULT-AM	Subscription, End User Computing (EUC) Ultimate Software License & L3 Mission Critical Software Support Service for 1 User (Authorized Support Partners provides L1, L2 support)
NT-EUC-ULT-FP	Subscription, End User Computing (EUC) Ultimate Software License & Federal Production Software Support Service for 1 User
NT-EUC-ULT-FM	Subscription, End User Computing (EUC) Ultimate Software License & Federal Mission Critical Software Support Service for 1 User

[Table 33.0, Nutanix Software NCI, NKP, NCI-D, NCI-Edge, EUC, NCP \(NCI-PRO\), NCP \(NCI-ULT\) 1 YEAR SUBSCRIPTION with professional services PID Mapping](#)

[Table 33.1, Nutanix Software NCI, NKP, NCI-D, NCI-Edge, EUC, NCM-U, NCP \(NCI-PRO\), NCP \(NCI-ULT\) 3 YEAR SUBSCRIPTION with professional services PID Mapping](#)

(5) Nutanix Cloud Manager (NCM):

Nutanix Cloud Manager (NCM) is a hybrid multi-cloud management platform for building a cloud operating model. NCM provides Intelligent Operations, Self-Service, Cost Governance, and Security natively with the Nutanix Platform or through a SaaS subscription.

- Self-service VMs and Apps are defined via simple blueprints, easily created, and managed via GUI/CLI.
- Management of IT lifecycle includes visibility, optimization, and financial control over multi-cloud deployments.
- Detect, monitor, and remediate security vulnerabilities and compliance near real-time across multiple cloud environment



NOTE:

- For more information Nutanix Cloud Manager (NCM), please visit <https://www.nutanix.com/products/cloud-manager>
- For more information about Nutanix Cloud Platform software options, please visit <https://www.nutanix.com/products/cloud-platform/software-options>
- Please note that the Federal Support program is reserved for US Federal accounts. US Federal accounts must select Federal Support Tier for the order to be fulfilled. If a non-Federal account selects a Federal Support program, Nutanix may not fulfill the order. Additionally, Nutanix's Mixed Support Level Guidelines(<https://www.nutanix.com/support-services/product-support/support-policies-and-faqs?show=accordion-4>) requires all software assets within a cluster to have the same support level, else software support will default to the lower option.
- Sellers in the Federal space need to ensure they have the Federal Support SKU's on the quote and order. All orders without the Federal Support SKU's will be rejected by Nutanix. Refer this Knowledge base article for more info: <https://computekb.cisco.com/article/nutanix-support-for-federal-customers.html>
- Authorized Partners of Nutanix can offer Level 1 & Level 2 support for Nutanix Software. For the complete list visit <https://computekb.cisco.com/article/rules-for-ordering-nutanix-partner-support-skus.html>
- **The quantity of NCM license must match with total number for processor cores in hardware platforms.**

Table 30.4 Nutanix Cloud Manager (NCM)

Product ID (PID)	PID Description
STR - STARTER	
NT-NCM-STR-PR	Subscription, Nutanix Cloud Manager (NCM) Starter Software License & Production Software Support Service for 1 CPU Core
NT-NCM-STR-MC	Subscription, Nutanix Cloud Manager (NCM) Starter Software License & Mission Critical Software Support Service for 1 CPU Core
NT-NCM-STR-AP	Subscription, Nutanix Cloud Manager (NCM) Starter Software License & L3 Production Software Support Service for 1 CPU Core (Authorized Support Partners provides L1, L2 support)
NT-NCM-STR-AM	Subscription, Nutanix Cloud Manager (NCM) Starter Software License & L3 Mission Critical Software Support Service for 1 CPU Core (Authorized Support Partners provides L1, L2 support)
NT-NCM-STR-FP	Subscription, Nutanix Cloud Manager (NCM) Starter Software License & Federal Production Software Support Service for 1 CPU Core

Table 30.4 Nutanix Cloud Manager (NCM)

NT-NCM-STR-FM	Subscription, Nutanix Cloud Manager (NCM) Starter Software License & Federal Mission Critical Software Support Service for 1 CPU Core
PRO - PROFESSIONAL	
NT-NCM-PRO-PR	Subscription, Nutanix Cloud Manager (NCM) Pro Software License & Production Software Support Service for 1 CPU Core
NT-NCM-PRO-MC	Subscription, Nutanix Cloud Manager (NCM) Pro Software License & Mission Critical Software Support Service for 1 CPU Core
NT-NCM-PRO-AP	Subscription, Nutanix Cloud Manager (NCM) Pro Software License & L3 Production Software Support Service for 1 CPU Core (Authorized Support Partners provides L1, L2 support)
NT-NCM-PRO-AM	Subscription, Nutanix Cloud Manager (NCM) Pro Software License & L3 Mission Critical Software Support Service for 1 CPU Core (Authorized Support Partners provides L1, L2 support)
NT-NCM-PRO-FP	Subscription, Nutanix Cloud Manager (NCM) Pro Software License & Federal Production Software Support Service for 1 CPU Core
NT-NCM-PRO-FM	Subscription, Nutanix Cloud Manager (NCM) Pro Software License & Federal Mission Critical Software Support Service for 1 CPU Core
ULT - ULTIMATE	
NT-NCM-ULT-PR	Subscription, Nutanix Cloud Manager (NCM) Ultimate Software License & Production Software Support Service for 1 CPU Core
NT-NCM-ULT-MC	Subscription, Nutanix Cloud Manager (NCM) Ultimate Software License & Mission Critical Software Support Service for 1 CPU Core
NT-NCM-ULT-AP	Subscription, Nutanix Cloud Manager (NCM) Ultimate Software License & L3 Production Software Support Service for 1 CPU Core (Authorized Support Partners provides L1, L2 support)
NT-NCM-ULT-AM	Subscription, Nutanix Cloud Manager (NCM) Ultimate Software License & L3 Mission Critical Software Support Service for 1 CPU Core (Authorized Support Partners provides L1, L2 support)
NT-NCM-ULT-FP	Subscription, Nutanix Cloud Manager (NCM) Ultimate Software License & Federal Production Software Support Service for 1 CPU Core
NT-NCM-ULT-FM	Subscription, Nutanix Cloud Manager (NCM) Ultimate Software License & Federal Mission Critical Software Support Service for 1 CPU Core
COST GOVERNANCE	
NT-NCM-CM-FP	Subscription, NCM Cost Governance as a Service for US Federal including Production Support for 1 VM
NT-NCM-CM-OV-FP	Overage, NCM Cost Governance as a Service for US Federal including Production Support for 1 VM
NT-NCM-CM-OV-PR	Overage, NCM Cost Governance as a Service including Production Support for 1 VM

Table 30.4 Nutanix Cloud Manager (NCM)

NT-NCM-CM-PR	Subscription, NCM Cost Governance as a Service including Production Support for 1 VM
SECURITY CENTRAL	
NT-NCM-SC-FP	Subscription, NCM Security Central as a Service for US Federal including Production Support for 1 VM
NT-NCM-SC-OV-FP	Overage, NCM Security Central as a Service for US Federal including Production Support for 1 VM
NT-NCM-SC-OV-PR	Overage, NCM Security Central as a Service including Production Support for 1 VM
NT-NCM-SC-PR	Subscription, NCM Security Central as a Service including Production Support for 1 VM
SELF SERVICE	
NT-NCM-SS-OV-PR	Overage, NCM Self-Service & Orchestration as a Service including Production Support for 1 VM
NT-NCM-SS-PR	Subscription, NCM Self-Service & Orchestration as a Service including Production Support for 1 VM

[Table 34.0, Nutanix Software NCM STR 1 YEAR SUBSCRIPTION with professional services PID Mapping](#)

[Table 34.1, Nutanix Software NCM STR 3 YEAR AND ABOVE SUBSCRIPTION with Professional Services PID Mapping](#)

[Table 35, Nutanix Software NCM PRO, NCM ULT, NCP \(NCM-PRO\), NCP \(NCM-ULT\) 1 YEAR AND 3 YEAR & ABOVE SUBSCRIPTION with Professional services](#)

(6) Nutanix Cloud Manager Edge (NME):

Nutanix Cloud Manager (NCM) is a hybrid multi-cloud management platform for building a cloud operating model. NCM provides Intelligent Operations, Self-Service, Cost Governance, and Security natively with the Nutanix Platform or through a SaaS subscription.

- Self-service VMs and Apps are defined via simple blueprints, easily created, and managed via GUI/CLI.
- Management of IT lifecycle includes visibility, optimization, and financial control over multi-cloud deployments.
- Detect, monitor, and remediate security vulnerabilities and compliance near real-time across multiple cloud environment.



NOTE:

- For more information Nutanix Cloud Manager (NCM), please visit <https://www.nutanix.com/products/cloud-manager>
- For more information about Nutanix Cloud Platform software options, please visit <https://www.nutanix.com/products/cloud-platform/software-options>
- Please note that the Federal Support program is reserved for US Federal accounts. US Federal accounts must select Federal Support Tier for the order to be fulfilled. If a non-Federal account selects a Federal Support program, Nutanix may not fulfill the order. Additionally, Nutanix's Mixed Support Level Guidelines(<https://www.nutanix.com/support-services/product-support/support-policies-and-faqs?show=accordion-4>) requires all software assets within a cluster to have the same support level, else software support will default to the lower option.
- Sellers in the Federal space need to ensure they have the Federal Support SKU's on the quote and order. All orders without the Federal Support SKU's will be rejected by Nutanix. Refer this Knowledge base article for more info: <https://computekb.cisco.com/article/nutanix-support-for-federal-customers.html>
- PC 2024.2 is the minimum requirement for these licenses to be applied. Check and confirm the release schedule of PC before ordering these licenses.
- Authorized Partners of Nutanix can offer Level 1 & Level 2 support for Nutanix Software. For the complete list visit <https://computekb.cisco.com/article/rules-for-ordering-nutanix-partner-support-skus.html>

Table 30.5 Nutanix Cloud Manager Edge (NME)

Product ID (PID)	PID Description
STR - STARTER	
NT-NME-STR-PR	Subscription, Nutanix Cloud Manager (NCM) Starter Software License for Edge Sites & Production Software Support Service per VM
NT-NME-STR-MC	Subscription, Nutanix Cloud Manager (NCM) Starter Software License for Edge Sites & Mission Critical Software Support Service per VM
NT-NME-STR-AP	Subscription, Nutanix Cloud Manager (NCM) Starter Software License for Edge Sites & L3 Production Software Support Service per VM (Authorized Support Partners provides L1, L2 support)
NT-NME-STR-AM	Subscription, Nutanix Cloud Manager (NCM) Starter Software License for Edge Sites & L3 Mission Critical Software Support Service per VM (Authorized Support Partners provides L1, L2 support)
NT-NME-STR-FP	Subscription, Nutanix Cloud Manager (NCM) Starter Software License for Edge Sites & FED Production Software Support Service per VM

Table 30.5 Nutanix Cloud Manager Edge (NME)

NT-NME-STR-FM	Subscription, Nutanix Cloud Manager (NCM) Starter Software License for Edge Sites & FED Mission Critical Software Support Service per VM
PRO- PROFESSIONAL	
NT-NME-PRO-PR	Subscription, Nutanix Cloud Manager (NCM) Professional Software License for Edge Sites & Production Software Support Service per VM
NT-NME-PRO-MC	Subscription, Nutanix Cloud Manager (NCM) Professional Software License for Edge Sites & Mission Critical Software Support Service per VM
NT-NME-PRO-AP	Subscription, Nutanix Cloud Manager (NCM) Professional Software License for Edge Sites & L3 Production Software Support Service per VM (Authorized Support Partners provides L1, L2 support)
NT-NME-PRO-AM	Subscription, Nutanix Cloud Manager (NCM) Professional Software License for Edge Sites & L3 Mission Critical Software Support Service per VM (Authorized Support Partners provides L1, L2 support)
NT-NME-PRO-FP	Subscription, Nutanix Cloud Manager (NCM) Professional Software License for Edge Sites & FED Production Software Support Service per VM
NT-NME-PRO-FM	Subscription, Nutanix Cloud Manager (NCM) Professional Software License for Edge Sites & FED Mission Critical Software Support Service per VM
ULT - ULTIMATE	
NT-NME-ULT-PR	Subscription, Nutanix Cloud Manager (NCM) Ultimate Software License for Edge Sites & Production Software Support Service per VM
NT-NME-ULT-MC	Subscription, Nutanix Cloud Manager (NCM) Ultimate Software License for Edge Sites & Mission Critical Software Support Service per VM
NT-NME-ULT-AP	Subscription, Nutanix Cloud Manager (NCM) Ultimate Software License for Edge Sites & L3 Production Software Support Service per VM (Authorized Support Partners provides L1, L2 support)
NT-NME-ULT-AM	Subscription, Nutanix Cloud Manager (NCM) Ultimate Software License for Edge Sites & L3 Mission Critical Software Support Service per VM (Authorized Support Partners provides L1, L2 support)
NT-NME-ULT-FP	Subscription, Nutanix Cloud Manager (NCM) Ultimate Software License for Edge Sites & FED Production Software Support Service per VM
NT-NME-ULT-FM	Subscription, Nutanix Cloud Manager (NCM) Ultimate Software License for Edge Sites & FED Mission Critical Software Support Service per VM

[Table 34.0, Nutanix Software NCM STR 1 YEAR SUBSCRIPTION with professional services PID Mapping](#)

[Table 34.1, Nutanix Software NCM STR 3 YEAR AND ABOVE SUBSCRIPTION with Professional Services PID Mapping](#)

[Table 35, Nutanix Software NCM PRO, NCM ULT, NCP \(NCM-PRO\), NCP \(NCM-ULT\) 1 YEAR AND 3 YEAR & ABOVE SUBSCRIPTION with Professional services](#)

(7) Nutanix Cloud Manager EUC (NCM-U):

Nutanix Cloud Manager (NCM) is a hybrid multi-cloud management platform for building a cloud operating model. NCM provides Intelligent Operations, Self-Service, Cost Governance, and Security natively with the Nutanix Platform or through a SaaS subscription.

- Self-service VMs and Apps are defined via simple blueprints, easily created, and managed via GUI/CLI.
- Management of IT lifecycle includes visibility, optimization, and financial control over multi-cloud deployments.
- Detect, monitor, and remediate security vulnerabilities and compliance near real-time across multiple cloud environment.



NOTE:

- For more information Nutanix Cloud Manager (NCM), please visit <https://www.nutanix.com/products/cloud-manager>
- For more information about Nutanix Cloud Platform software options, please visit <https://www.nutanix.com/products/cloud-platform/software-options>
- Please note that the Federal Support program is reserved for US Federal accounts. US Federal accounts must select Federal Support Tier for the order to be fulfilled. If a non-Federal account selects a Federal Support program, Nutanix may not fulfill the order. Additionally, Nutanix's Mixed Support Level Guidelines(<https://www.nutanix.com/support-services/product-support/support-policies-and-faqs?show=accordion-4>) requires all software assets within a cluster to have the same support level, else software support will default to the lower option.
- Sellers in the Federal space need to ensure they have the Federal Support SKU's on the quote and order. All orders without the Federal Support SKU's will be rejected by Nutanix. Refer this Knowledge base article for more info: <https://computekb.cisco.com/article/nutanix-support-for-federal-customers.html>
- PC 2024.2 is the minimum requirement for these licenses to be applied. Check and confirm the release schedule of PC before ordering these licenses.
- Authorized Partners of Nutanix can offer Level 1 & Level 2 support for Nutanix Software. For the complete list visit <https://computekb.cisco.com/article/rules-for-ordering-nutanix-partner-support-skus.html>

Table 30.6 Nutanix Cloud Manager EUC (NCM-U)

Product ID (PID)	PID Description
STR - STARTER	
NT-NCM-U-STR-PR	Subscription, Nutanix Cloud Manager (NCM) Starter Software License for EUC & Production Software Support Service per User
NT-NCM-U-STR-MC	Subscription, Nutanix Cloud Manager (NCM) Starter Software License for EUC & Mission Critical Software Support Service per User
NT-NCM-U-STR-AP	Subscription, Nutanix Cloud Manager (NCM) Starter Software License for EUC & L3 Production Software Support Service per User (Authorized Support Partners provides L1, L2 support)
NT-NCM-U-STR-AM	Subscription, Nutanix Cloud Manager (NCM) Starter Software License for EUC & L3 Mission Critical Software Support Service per User (Authorized Support Partners provides L1, L2 support)
NT-NCM-U-STR-FP	Subscription, Nutanix Cloud Manager (NCM) Starter Software License for EUC & FED Production Software Support Service per User

Table 30.6 Nutanix Cloud Manager EUC (NCM-U)

NT-NCM-U-STR-FM	Subscription, Nutanix Cloud Manager (NCM) Starter Software License for EUC & FED Mission Critical Software Support Service per User
PRO - PROFESSIONAL	
NT-NCM-U-PRO-PR	Subscription, Nutanix Cloud Manager (NCM) Professional Software License for EUC & Production Software Support Service per User
NT-NCM-U-PRO-MC	Subscription, Nutanix Cloud Manager (NCM) Professional Software License for EUC & Mission Critical Software Support Service per User
NT-NCM-U-PRO-AP	Subscription, Nutanix Cloud Manager (NCM) Professional Software License for EUC & L3 Production Software Support Service per User (Authorized Support Partners provides L1, L2 support)
NT-NCM-U-PRO-AM	Subscription, Nutanix Cloud Manager (NCM) Professional Software License for EUC & L3 Mission Critical Software Support Service per User (Authorized Support Partners provides L1, L2 support)
NT-NCM-U-PRO-FP	Subscription, Nutanix Cloud Manager (NCM) Professional Software License for EUC & FED Production Software Support Service per User
NT-NCM-U-PRO-FM	Subscription, Nutanix Cloud Manager (NCM) Professional Software License for EUC & FED Mission Critical Software Support Service per User
ULT - ULTIMATE	
NT-NCM-U-ULT-PR	Subscription, Nutanix Cloud Manager (NCM) Ultimate Software License for EUC & Production Software Support Service per User
NT-NCM-U-ULT-MC	Subscription, Nutanix Cloud Manager (NCM) Ultimate Software License for EUC & Mission Critical Software Support Service per User
NT-NCM-U-ULT-AP	Subscription, Nutanix Cloud Manager (NCM) Ultimate Software License for EUC & L3 Production Software Support Service per User (Authorized Support Partners provides L1, L2 support)
NT-NCM-U-ULT-AM	Subscription, Nutanix Cloud Manager (NCM) Ultimate Software License for EUC & L3 Mission Critical Software Support Service per User (Authorized Support Partners provides L1, L2 support)
NT-NCM-U-ULT-FP	Subscription, Nutanix Cloud Manager (NCM) Ultimate Software License for EUC & FED Production Software Support Service per User
NT-NCM-U-ULT-FM	Subscription, Nutanix Cloud Manager (NCM) Ultimate Software License for EUC & FED Mission Critical Software Support Service per User

[Table 34.0, Nutanix Software NCM STR 1 YEAR SUBSCRIPTION with professional services PID Mapping](#)

[Table 34.1, Nutanix Software NCM STR 3 YEAR AND ABOVE SUBSCRIPTION with Professional Services PID Mapping](#)

[Table 35, Nutanix Software NCM PRO, NCM ULT, NCP \(NCM-PRO\), NCP \(NCM-ULT\) 1 YEAR AND 3 YEAR & ABOVE SUBSCRIPTION with Professional services](#)

(8) Nutanix Cloud Platform (NCP):

Nutanix Cloud Infrastructure (NCI) and Nutanix Cloud Manager (NCM) can be purchased together in ‘better together’ Nutanix Cloud Platform (NCP) bundles:

Nutanix Cloud Platform (NCP)	Nutanix Cloud Infrastructure (NCI) included	Nutanix Cloud Manager (NCM) Edition included
NCP Starter	NCI Professional	NCM Professional
NCP Professional	NCI Ultimate	NCM Professional
NCP Ultimate	NCI Ultimate	NCM Ultimate



NOTE:

- For more information on Nutanix Cloud Platform (NCP) bundles, please visit <https://www.nutanix.com/products/cloud-platform/software-options>
- For more information about Nutanix Cloud Platform software options, please visit <https://www.nutanix.com/products/cloud-platform/software-options>
- Please note that the Federal Support program is reserved for US Federal accounts. US Federal accounts must select Federal Support Tier for the order to be fulfilled. If a non-Federal account selects a Federal Support program, Nutanix may not fulfill the order. Additionally, Nutanix’s Mixed Support Level Guidelines (<https://www.nutanix.com/support-services/product-support/support-policies-and-faqs?show=accordion-4>) requires all software assets within a cluster to have the same support level, else software support will default to the lower option.
- Sellers in the Federal space need to ensure they have the Federal Support SKU’s on the quote and order. All orders without the Federal Support SKU’s will be rejected by Nutanix. Refer this Knowledge base article for more info: <https://computekb.cisco.com/article/nutanix-support-for-federal-customers.html>
- Authorized Partners of Nutanix can offer Level 1 & Level 2 support for Nutanix Software. For the complete list visit <https://computekb.cisco.com/article/rules-for-ordering-nutanix-partner-support-skus.html>
- **The total number of cores for NCI and NCM should be same**
- **The support tiers for NCI and NCM should be same**

Table 30.7 Nutanix Cloud Platform (NCP)

Product ID (PID)	PID Description
STR - STARTER	
NT-NCP-STR-PR	Subscription, Nutanix Cloud Platform Starter Software License & Production Software Support Service for 1 CPU Core
NT-NCP-STR-MC	Subscription, Nutanix Cloud Platform Starter Software License & Mission Critical Software Support Service for 1 CPU Core
NT-NCP-STR-AP	Subscription, Nutanix Cloud Platform Starter Software License & L3 Production Software Support Service for 1 CPU Core (Authorized Support Partners provides L1, L2 support)
NT-NCP-STR-AM	Subscription, Nutanix Cloud Platform Starter Software License & L3 Mission Critical Software Support Service for 1 CPU Core (Authorized Support Partners provides L1, L2 support)

Table 30.7 Nutanix Cloud Platform (NCP)

NT-NCP-STR-FP	Subscription, Nutanix Cloud Platform Starter Software License & Federal Production Software Support Service for 1 CPU Core
NT-NCP-STR-FM	Subscription, Nutanix Cloud Platform Starter Software License & Federal Mission Critical Software Support Service for 1 CPU Core
PRO- PROFESSIONAL	
NT-NCP-PRO-PR	Subscription, Nutanix Cloud Platform Pro Software License & Production Software Support Service for 1 CPU Core
NT-NCP-PRO-MC	Subscription, Nutanix Cloud Platform Pro Software License & Mission Critical Software Support Service for 1 CPU Core
NT-NCP-PRO-AP	Subscription, Nutanix Cloud Platform Pro Software License & L3 Production Software Support Service for 1 CPU Core (Authorized Support Partners provides L1, L2 support)
NT-NCP-PRO-AM	Subscription, Nutanix Cloud Platform Pro Software License & L3 Mission Critical Software Support Service for 1 CPU Core (Authorized Support Partners provides L1, L2 support)
NT-NCP-PRO-FP	Subscription, Nutanix Cloud Platform Pro Software License & Federal Production Software Support Service for 1 CPU Core
NT-NCP-PRO-FM	Subscription, Nutanix Cloud Platform Pro Software License & Federal Mission Critical Software Support Service for 1 CPU Core
ULT-ULTIMATE	
NT-NCP-ULT-PR	Subscription, Nutanix Cloud Platform Ultimate Software License & Production Software Support Service for 1 CPU Core
NT-NCP-ULT-MC	Subscription, Nutanix Cloud Platform Ultimate Software License & Mission Critical Software Support Service for 1 CPU Core
NT-NCP-ULT-AP	Subscription, Nutanix Cloud Platform Ultimate Software License & L3 Production Software Support Service for 1 CPU Core (Authorized Support Partners provides L1, L2 support)
NT-NCP-ULT-AM	Subscription, Nutanix Cloud Platform Ultimate Software License & L3 Mission Critical Software Support Service for 1 CPU Core (Authorized Support Partners provides L1, L2 support)
NT-NCP-ULT-FP	Subscription, Nutanix Cloud Platform Ultimate Software License & Federal Production Software Support Service for 1 CPU Core
NT-NCP-ULT-FM	Subscription, Nutanix Cloud Platform Ultimate Software License & Federal Mission Critical Software Support Service for 1 CPU Core
NCI PROFESSIONAL	
NT-NCP-NCI-PRO-PR	Subscription, (included in NCP) Nutanix Cloud Infrastructure (NCI) Pro Software License & Production Software Support Service for 1 CPU Core
NT-NCP-NCI-PRO-MC	Subscription, (included in NCP) Nutanix Cloud Infrastructure (NCI) Pro Software License & Mission Critical Software Support Service for 1 CPU Core

Table 30.7 Nutanix Cloud Platform (NCP)

NT-NCP-NCI-PRO-AP	Subscription, (included in NCP) Nutanix Cloud Infrastructure (NCI) Pro Software License & L3 Production Software Support Service for 1 CPU Core (Authorized Support Partners provides L1, L2 support)
NT-NCP-NCI-PRO-AM	Subscription, (included in NCP) Nutanix Cloud Infrastructure (NCI) Pro Software License & L3 Mission Critical Software Support Service for 1 CPU Core (Authorized Support Partners provides L1, L2 support)
NT-NCP-NCI-PRO-FP	Subscription, (included in NCP) Nutanix Cloud Infrastructure (NCI) Pro Software License & Federal Production Software Support Service for 1 CPU Core
NT-NCP-NCI-PRO-FM	Subscription, (included in NCP) Nutanix Cloud Infrastructure (NCI) Pro Software License & Federal Mission Critical Software Support Service for 1 CPU Core
NCI ULTIMATE	
NT-NCP-NCI-ULT-PR	Subscription, (included in NCP) Nutanix Cloud Infrastructure (NCI) Ultimate Software License & Production Software Support Service for 1 CPU Core
NT-NCP-NCI-ULT-MC	Subscription, (included in NCP) Nutanix Cloud Infrastructure (NCI) Ultimate Software License & Mission Critical Software Support Service for 1 CPU Core
NT-NCP-NCI-ULT-AP	Subscription, (included in NCP) Nutanix Cloud Infrastructure (NCI) Ultimate Software License & L3 Production Software Support Service for 1 CPU Core (Authorized Support Partners provides L1, L2 support)
NT-NCP-NCI-ULT-AM	Subscription, (included in NCP) Nutanix Cloud Infrastructure (NCI) Ultimate Software License & L3 Mission Critical Software Support Service for 1 CPU Core (Authorized Support Partners provides L1, L2 support)
NT-NCP-NCI-ULT-FP	Subscription, (included in NCP) Nutanix Cloud Infrastructure (NCI) Ultimate Software License & Federal Production Software Support Service for 1 CPU Core
NT-NCP-NCI-ULT-FM	Subscription, (included in NCP) Nutanix Cloud Infrastructure (NCI) Ultimate Software License & Federal Mission Critical Software Support Service for 1 CPU Core
NCM PROFESSIONAL	
NT-NCP-NCM-PRO-PR	Subscription, (included in NCP) Nutanix Cloud Manager (NCM) Pro Software License & Production Software Support Service for 1 CPU Core
NT-NCP-NCM-PRO-MC	Subscription, (included in NCP) Nutanix Cloud Manager (NCM) Pro Software License & Mission Critical Software Support Service for 1 CPU Core
NT-NCP-NCM-PRO-AP	Subscription, (included in NCP) Nutanix Cloud Manager (NCM) Pro Software License & L3 Production Software Support Service for 1 CPU Core (Authorized Support Partners provides L1, L2 support)
NT-NCP-NCM-PRO-AM	Subscription, (included in NCP) Nutanix Cloud Manager (NCM) Pro Software License & L3 Mission Critical Software Support Service for 1 CPU Core (Authorized Support Partners provides L1, L2 support)
NT-NCP-NCM-PRO-FP	Subscription, (included in NCP) Nutanix Cloud Manager (NCM) Pro Software License & Federal Production Software Support Service for 1 CPU Core
NT-NCP-NCM-PRO-FM	Subscription, (included in NCP) Nutanix Cloud Manager (NCM) Pro Software License & Federal Mission Critical Software Support Service for 1 CPU Core

Table 30.7 Nutanix Cloud Platform (NCP)

NCM ULTIMATE	
NT-NCP-NCM-ULT-PR	Subscription, (included in NCP) Nutanix Cloud Manager (NCM) Ultimate Software License & Production Software Support Service for 1 CPU Core
NT-NCP-NCM-ULT-MC	Subscription, (included in NCP) Nutanix Cloud Manager (NCM) Ultimate Software License & Mission Critical Software Support Service for 1 CPU Core
NT-NCP-NCM-ULT-AP	Subscription, (included in NCP) Nutanix Cloud Manager (NCM) Ultimate Software License & L3 Production Software Support Service for 1 CPU Core (Authorized Support Partners provides L1, L2 support)
NT-NCP-NCM-ULT-AM	Subscription, (included in NCP) Nutanix Cloud Manager (NCM) Ultimate Software License & L3 Mission Critical Software Support Service for 1 CPU Core (Authorized Support Partners provides L1, L2 support)
NT-NCP-NCM-ULT-FP	Subscription, (included in NCP) Nutanix Cloud Manager (NCM) Ultimate Software License & Federal Production Software Support Service for 1 CPU Core
NT-NCP-NCM-ULT-FM	Subscription, (included in NCP) Nutanix Cloud Manager (NCM) Ultimate Software License & Federal Mission Critical Software Support Service for 1 CPU Core



NOTE:

- The total number of cores for NCI and NCM should be same
- The support tiers for NCI and NCM should be same.

Table 34.0, Nutanix Software NCM STR 1 YEAR SUBSCRIPTION with professional services PID Mapping

Table 34.1, Nutanix Software NCM STR 3 YEAR AND ABOVE SUBSCRIPTION with Professional Services PID Mapping

Table 35, Nutanix Software NCM PRO, NCM ULT, NCP (NCM-PRO), NCP (NCM-ULT) 1 YEAR AND 3 YEAR & ABOVE SUBSCRIPTION with Professional services

(9) Nutanix Unified Storage™ (NUS):

Nutanix Unified Storage™ (NUS) is a software-defined data services platform that consolidates the management and protection of siloed block, file, and object storage into a single, unified platform. NUS harnesses the power of rich data services such as analytics, ransomware protection, lifecycle management, and data protection. These features enable organizations to seamlessly adapt to the ever-changing requirements of modern applications, allowing them to shift their management focus from data storage to data management. Leveraging the Nutanix Cloud Platform™ (NCP) software, NUS is specifically built to meet the needs of modern applications deployed across core, cloud, and edge infrastructure. With its capacity for seamless scaling, high performance, and integrated data security, NUS provides a comprehensive solution for organizations.

Includes:

- **Nutanix Files Storage:** simple and secure software-defined scale-out file storage solution to store, manage, and scale files data (NFS and SMB)
- **Nutanix Objects Storage:** distributed scale-out S3-compatible object storage for both archive and high-performance analytics
- **Nutanix Volumes Storage:** high-performance low-latency block storage
- **Nutanix Data Lens:** available as an add-on for data analytics, anomaly behavior detection and ransomware protection
- **Nutanix AOS:** scale-out storage technology that makes hyperconverged infrastructure (HCI) possible.
- **Nutanix AHV:** lightweight cloud hypervisor built into Nutanix platform and offers enterprise-grade storage capabilities and built-in Kubernetes support.
- **App VMs running on storage:** NUS dedicated clusters are entitled to 1 app/user VM per node in the cluster. NCI clusters don't have any limit on the number of app/user VMs on the cluster.

**NOTE:**

- For more information **Nutanix Unified Storage™ (NUS)**, please visit <https://www.nutanix.com/products/cloud-platform/software-options#nus>
 - For more information about Nutanix Cloud Platform software options, please visit <https://www.nutanix.com/products/cloud-platform/software-options>
 - Please note that the Federal Support program is reserved for US Federal accounts. US Federal accounts must select Federal Support Tier for the order to be fulfilled. If a non-Federal account selects a Federal Support program, Nutanix may not fulfill the order. Additionally, Nutanix's Mixed Support Level Guidelines(<https://www.nutanix.com/support-services/product-support/support-policies-and-faqs?show=accordion-4>) requires all software assets within a cluster to have the same support level, else software support will default to the lower option.
 - Sellers in the Federal space need to ensure they have the Federal Support SKU's on the quote and order. All orders without the Federal Support SKU's will be rejected by Nutanix. Refer this Knowledge base article for more info: <https://computekb.cisco.com/article/nutanix-support-for-federal-customers.html>
 - Authorized Partners of Nutanix can offer Level 1 & Level 2 support for Nutanix Software. For the complete list visit <https://computekb.cisco.com/article/rules-for-ordering-nutanix-partner-support-skus.html>
-

Table 30.8 Nutanix Unified Storage™ (NUS)

Product ID (PID)	PID Description
PRO - PROFESSIONAL	
NT-NUS-PRO-PR	Nutanix Unified Storage Professional Software License & Production Software Support for 1 TiB
NT-NUS-PRO-MC	Nutanix Unified Storage Professional Software License & Mission Critical Software Support for 1 TiB
NT-NUS-PRO-AP	Nutanix Unified Storage Professional Software License & L3 Production Software Support for 1 TiB (Authorized Support Partners provides L1, L2 support)
NT-NUS-PRO-AM	Nutanix Unified Storage Professional Software License & L3 Mission Critical Software Support for 1 TiB (Authorized Support Partners provides L1, L2 support)
NT-NUS-PRO-FP	Nutanix Unified Storage Professional Software License & Federal Production Software Support for 1 TiB
NT-NUS-PRO-FM	Nutanix Unified Storage Professional Software License & Federal Mission Critical Software Support for 1 TiB
ADVANCED REPLICATION	
NT-A-NUS-ADR-PR	Nutanix Unified Storage Advanced Replication add-on Software License & Production Software Support 1 TiB
NT-A-NUS-ADR-MC	Nutanix Unified Storage Advanced Replication add-on Software License & Mission Critical Software Support 1 TiB
NT-A-NUS-ADR-AP	Nutanix Unified Storage Advanced Replication add-on Software License & L3 Production Software Support 1 TiB (Authorized Support Partners provides L1, L2 support)
NT-A-NUS-ADR-AM	Nutanix Unified Storage Advanced Replication add-on Software License & L3 Mission Critical Software Support 1 TiB (Authorized Support Partners provides L1, L2 support)
NT-A-NUS-ADR-FP	Nutanix Unified Storage Advanced Replication add-on Software License & Federal Production Software Support 1 TiB
NT-A-NUS-ADR-FM	Nutanix Unified Storage Advanced Replication add-on Software License & Federal Mission Critical Support 1 TiB
SECURITY	
NT-A-NUS-SEC-PR	Nutanix Unified Storage Security add-on Software License & Production Software Support 1 TiB
NT-A-NUS-SEC-MC	Nutanix Unified Storage Security add-on Software License & Mission Critical Software Support 1 TiB
NT-A-NUS-SEC-AP	Nutanix Unified Storage Security add-on Software License & L3 Production Software Support 1 TiB (Authorized Support Partners provides L1, L2 support)
NT-A-NUS-SEC-AM	Nutanix Unified Storage Security add-on Software License & L3 Mission Critical Software Support 1 TiB (Authorized Support Partners provides L1, L2 support)

Table 30.8 Nutanix Unified Storage™ (NUS)

NT-A-NUS-SEC-FP	Nutanix Unified Storage Security add-on Software License & Federal Production Software Support 1 TiB
NT-A-NUS-SEC-FM	Nutanix Unified Storage Security add-on Software License & Federal Mission Critical Software Support 1 TiB

Table 30.8.a Nutanix Unified Storage Allowed Capacity

Nutanix Unified Storage	Nutanix Unified Storage Support Tier	Storage Capacity Allowed (TiB)
Pro (Professional) License Tier (NT-NUS-PRO-*) Advanced Replication (NT-A-NUS-ADR-*) Security (NT-A-NUS-SEC-*)	Production Mission Critical Federal Production Federal Mission Critical	1-50
		75
		100
		150
		200
		250
		300
		350
		400
		450
		500
		550
		600
		700
		800
		900
		1000
		1200
		1400
		1600
1800		
2000		
2200		
2400		
2600		
2800		
3000		
4000		
5000		
6000		
7000		
8000		
9000		
10000		

(10) Nutanix Data Lens (NDL):

Nutanix Data Lens is a SaaS-based cyberstorage solution offering ransomware resilience and global data visibility for unstructured data on Nutanix Unified Storage (NUS). This cloud-based data analytics service proactively assesses and mitigates data security risks by identifying anomalous activity, auditing user behavior, and adhering to compliance requirements. while enabling efficient data lifecycle management.

Nutanix Data Lens is currently offered through a “Freemium” licensing model, consisting of two tiers:

1. “Free Tier” comprises limited capabilities that are available perpetually free for NUS Pro customers
2. “Premium Tier” comprises extended capabilities, including Ransomware security, and is licensed on a per TiB basis for all NUS customers.

Self-service onboarding for current Nutanix Unified Storage Customers through [My Nutanix Portal](#).



NOTE:

- For more information **Nutanix Data Lens (NDL)**, please visit <https://www.nutanix.com/products/cloud-platform/software-options#nus>
- For more information about Nutanix Cloud Platform software options, please visit <https://www.nutanix.com/products/cloud-platform/software-options>
- Please note that the Federal Support program is reserved for US Federal accounts. US Federal accounts must select Federal Support Tier for the order to be fulfilled. If a non-Federal account selects a Federal Support program, Nutanix may not fulfill the order. Additionally, Nutanix's Mixed Support Level Guidelines(<https://www.nutanix.com/support-services/product-support/support-policies-and-faqs?show=accordion-4>) requires all software assets within a cluster to have the same support level, else software support will default to the lower option.
- Sellers in the Federal space need to ensure they have the Federal Support SKU's on the quote and order. All orders without the Federal Support SKU's will be rejected by Nutanix.Refer this Knowledge base article for more info: <https://compute.kb.cisco.com/article/nutanix-support-for-federal-customers.html>
- Authorized Partners of Nutanix can offer Level 1 & Level 2 support for Nutanix Software. For the complete list visit <https://compute.kb.cisco.com/article/rules-for-ordering-nutanix-partner-support-skus.html>

Table 30.9 Nutanix Data Lens (NDL)

Product ID (PID)	PID Description
NDL	
NT-NDL-PR	Nutanix Data Lens as a hosted service including Production Support for 1 TiB
NT-NDL-FP	Nutanix Data Lens as a hosted service incl Fed Production Support for 1 TiB

Table 30.9.a Nutanix Data Lens Allowed Capacity

Nutanix Data Lens	Nutanix Data Lens Support Tier	Storage Capacity Allowed (TiB)
NDL	Production Federal Production	1-50
		75
		100
		150
		200
		250
		300
		350
		400
		450
		500
		550
		600
		700
		800
		900
		1000
		1200
		1400
		1600
1800		
2000		
2200		
2400		
2600		
2800		
3000		

(11) Nutanix Kubernetes Platform (NKP):

Nutanix Kubernetes Platform (NKP) combines the Nutanix Kubernetes Engine (NKE) features with their acquisition of the D2iQ product family to bring a consolidated runtime, orchestration, and management environment to our cloud native customers. The SKUs have two ordering options:

1. NKP Full Stack (Starter, Pro & Ultimate) - This includes the Complete Nutanix stack, bundling NCI, NDK and NKP. This is core based licensing (for all cores in cluster) and feature/capability inclusions depend on the whether it's starter, Pro or Ultimate. This is suitable for customers who will have Nutanix clusters exclusively for container workloads.
2. NKP (Pro & Ultimate) - NKP Starter is Bundled with NCI Pro and Ultimate . This adds NKP to existing NCI deployments (for AHV, ESXi, AWS EC2 & Azure). The Kubernetes and associated NKP functionality is provided by running master and worker node VMs on NCI. This is licensed on vCPU for the workload VMs that will be deployed. This is suitable for customers who already have Nutanix NCI clusters.



NOTE:

- For more information about Nutanix Kubernetes Platform (NKP), please visit <https://www.nutanix.com/products/cloud-platform/software-options#nkp>
- For more information about Nutanix Cloud Platform software options, please visit <https://www.nutanix.com/products/cloud-platform/software-options>
- Please note that the Federal Support program is reserved for US Federal accounts. US Federal accounts must select Federal Support Tier for the order to be fulfilled. If a non-Federal account selects a Federal Support program, Nutanix may not fulfill the order. Additionally, Nutanix's Mixed Support Level Guidelines(<https://www.nutanix.com/support-services/product-support/support-policies-and-faqs?show=accordion-4>) requires all software assets within a cluster to have the same support level, else software support will default to the lower option.
- Sellers in the Federal space need to ensure they have the Federal Support SKU's on the quote and order. All orders without the Federal Support SKU's will be rejected by Nutanix.Refer this Knowledge base article for more info: <https://computekb.cisco.com/article/nutanix-support-for-federal-customers.html>
- Authorized Partners of Nutanix can offer Level 1 & Level 2 support for Nutanix Software. For the complete list visit <https://computekb.cisco.com/article/rules-for-ordering-nutanix-partner-support-skus.html>
- **The quantity of NKP license must match with total number for processor cores in hardware platforms.**

Table 30.10 Nutanix Kubernetes Platform (NKP)

Product ID (PID)	PID Description
FS STR - FULL STACK STARTER	
NT-NKP-FS-STR-PR	Subscription, Nutanix Kubernetes Platform (NKP) Full Stack Starter Software License and Production Software Support Service for 1 CPU Core
NT-NKP-FS-STR-MC	Subscription, Nutanix Kubernetes Platform (NKP) Full Stack Starter Software License and Mission Critical Software Support Service for 1 CPU Core
NT-NKP-FS-STR-AP	Subscription, Nutanix Kubernetes Platform (NKP) Full Stack Starter Software License and L3 Production Software Support Service for 1 CPU Core (Authorized Support Partners provides L1, L2 support)
NT-NKP-FS-STR-AM	Subscription, Nutanix Kubernetes Platform (NKP) Full Stack Starter Software License and L3 Mission Critical Software Support Service for 1 CPU Core (Authorized Support Partners provides L1, L2 support)

Table 30.10 Nutanix Kubernetes Platform (NKP)

NT-NKP-FS-STR-FP	Subscription, Nutanix Kubernetes Platform (NKP) Full Stack Starter Software License and Federal Production Software Support Service for 1 CPU Core
NT-NKP-FS-STR-FM	Subscription, Nutanix Kubernetes Platform (NKP) Full Stack Starter Software License and Federal Mission Critical Software Support Service for 1 CPU Core
FS PRO - FULL STACK PROFESSIONAL	
NT-NKP-FS-PRO-PR	Subscription, Nutanix Kubernetes Platform (NKP) Full Stack Pro Software License and Production Software Support Service for 1 CPU Core
NT-NKP-FS-PRO-MC	Subscription, Nutanix Kubernetes Platform (NKP) Full Stack Pro Software License and Mission Critical Software Support Service for 1 CPU Core
NT-NKP-FS-PRO-AP	Subscription, Nutanix Kubernetes Platform (NKP) Full Stack Pro Software License and L3 Production Software Support Service for 1 CPU Core (Authorized Support Partners provides L1, L2 support)
NT-NKP-FS-PRO-AM	Subscription, Nutanix Kubernetes Platform (NKP) Full Stack Pro Software License and L3 Mission Critical Software Support Service for 1 CPU Core (Authorized Support Partners provides L1, L2 support)
NT-NKP-FS-PRO-FP	Subscription, Nutanix Kubernetes Platform (NKP) Full Stack Pro Software License and Federal Production Software Support Service for 1 CPU Core
NT-NKP-FS-PRO-FM	Subscription, Nutanix Kubernetes Platform (NKP) Full Stack Pro Software License and Federal Mission Critical Software Support Service for 1 CPU Core
FS ULT - FULL STACK ULTIMATE	
NT-NKP-FS-ULT-PR	Subscription, Nutanix Kubernetes Platform (NKP) Full Stack Ultimate Software License and Production Software Support Service for 1 CPU Core
NT-NKP-FS-ULT-MC	Subscription, Nutanix Kubernetes Platform (NKP) Full Stack Ultimate Software License and Mission Critical Software Support Service for 1 CPU Core
NT-NKP-FS-ULT-AP	Subscription, Nutanix Kubernetes Platform (NKP) Full Stack Ultimate Software License and L3 Production Software Support Service for 1 CPU Core (Authorized Support Partners provides L1, L2 support)
NT-NKP-FS-ULT-AM	Subscription, Nutanix Kubernetes Platform (NKP) Full Stack Ultimate Software License and L3 Mission Critical Software Support Service for 1 CPU Core (Authorized Support Partners provides L1, L2 support)
NT-NKP-FS-ULT-FP	Subscription, Nutanix Kubernetes Platform (NKP) Full Stack Ultimate Software License and Federal Production Software Support Service for 1 CPU Core
NT-NKP-FS-ULT-FM	Subscription, Nutanix Kubernetes Platform (NKP) Full Stack Ultimate Software License and Federal Mission Critical Software Support Service for 1 CPU Core
PRO - PROFESSIONAL	
NT-NKP-PRO-PR	Subscription, Nutanix Kubernetes Platform (NKP) Pro Software License for NCI or non-Nutanix infrastructure and Production Software Support Service for 1 vCPU (or 1 CPU Core on bare metal)

Table 30.10 Nutanix Kubernetes Platform (NKP)

NT-NKP-PRO-MC	Subscription, Nutanix Kubernetes Platform (NKP) Pro Software License for NCI or non-Nutanix infrastructure and Mission Critical Software Support Service for 1 vCPU (or 1 CPU Core on bare metal)
NT-NKP-PRO-AP	Subscription, Nutanix Kubernetes Platform (NKP) Pro Software License for NCI or non-Nutanix infrastructure and L3 Production Software Support Service for 1 vCPU (or 1 CPU Core on bare metal) (Authorized Support Partners provides L1, L2 support)
NT-NKP-PRO-AM	Subscription, Nutanix Kubernetes Platform (NKP) Pro Software License for NCI or non-Nutanix infrastructure and L3 Mission Critical Software Support Service for 1 vCPU (or 1 CPU Core on bare metal) (Authorized Support Partners provides L1, L2 support)
NT-NKP-PRO-FP	Subscription, Nutanix Kubernetes Platform (NKP) Pro Software License for NCI or non-Nutanix infrastructure and Federal Production Software Support Service for 1 vCPU (or 1 CPU Core on bare metal)
NT-NKP-PRO-FM	Subscription, Nutanix Kubernetes Platform (NKP) Pro Software License for NCI or non-Nutanix infrastructure and Federal Mission Critical Software Support Service for 1 vCPU (or 1 CPU Core on bare metal)
ULT - ULTIMATE	
NT-NKP-ULT-PR	Subscription, Nutanix Kubernetes Platform (NKP) Ultimate Software License for NCI or non-Nutanix infrastructure and Production Software Support Service for 1 vCPU (or 1 CPU Core on bare metal)
NT-NKP-ULT-MC	Subscription, Nutanix Kubernetes Platform (NKP) Ultimate Software License for NCI or non-Nutanix infrastructure and Mission Critical Software Support Service for 1 vCPU (or 1 CPU Core on bare metal)
NT-NKP-ULT-AP	Subscription, Nutanix Kubernetes Platform (NKP) Ultimate Software License for NCI or non-Nutanix infrastructure and L3 Production Software Support Service for 1 vCPU (or 1 CPU Core on bare metal) (Authorized Support Partners provides L1, L2 support)
NT-NKP-ULT-AM	Subscription, Nutanix Kubernetes Platform (NKP) Ultimate Software License for NCI or non-Nutanix infrastructure and L3 Mission Critical Software Support Service for 1 vCPU (or 1 CPU Core on bare metal) (Authorized Support Partners provides L1, L2 support)
NT-NKP-ULT-FP	Subscription, Nutanix Kubernetes Platform (NKP) Ultimate Software License for NCI or non-Nutanix infrastructure and Federal Production Software Support Service for 1 vCPU (or 1 CPU Core on bare metal)
NT-NKP-ULT-FM	Subscription, Nutanix Kubernetes Platform (NKP) Ultimate Software License for NCI or non-Nutanix infrastructure and Federal Mission Critical Software Support Service for 1 vCPU (or 1 CPU Core on bare metal)

[Table 33.0, Nutanix Software NCI, NKP, NCI-D, NCI-Edge, EUC, NCP \(NCI-PRO\), NCP \(NCI-ULT\) 1 YEAR SUBSCRIPTION with professional services PID Mapping](#)

[Table 33.1, Nutanix Software NCI, NKP, NCI-D, NCI-Edge, EUC, NCM-U, NCP \(NCI-PRO\), NCP \(NCI-ULT\) 3 YEAR SUBSCRIPTION with professional services PID Mapping](#)

Professional Services PIDs and Description

(1) NCI Design Workshop:

The Nutanix Cloud Infrastructure (NCI) Design Workshop offers IT teams in-depth and practical guidance to create a comprehensive design for on-premises NCI clusters. It covers various aspects such as scalability, functionality, integration, and operational needs. This workshop is beneficial during the Design stage of a Hybrid Multicloud journey, especially for complex solutions that involve third-party applications and automation.



NOTE:

- For more information on NCI Design workshop, please visit - <https://www.nutanix.com/content/dam/nutanix/resources/service-descriptions/sd-nci-design-workshop.pdf>
- For more information on Cisco version of Nutanix Professional services, please visit - <https://www.nutanix.com/content/dam/nutanix/resources/service-descriptions/professional-services-service-descriptions-cisco.pdf>

Table 31.0 NCI Design Workshop

Nutanix Software Product/Edition	Cisco Product PID	Cisco PID Description PS Offer Name - PS Offer Edition - PS Offer Option - Base/Variable	Nutanix PS Edition	Nutanix PS Option
NCI Starter	NT-W-DS-STR	NCI Design Workshop - Starter - Workshop Only	Starter	Workshop Only
NCI Starter	NT-W-DS-STR-ED	NCI Design Workshop - Starter - Enhanced Doc	Starter	Enhanced Documentation
NCI Starter	NT-W-DS-STR-SD	NCI Design Workshop - Starter - Standard Doc	Starter	Standard Documentation
NCI Pro	NT-W-DS-PRO	NCI Design Workshop - Pro - Workshop Only	Pro	Workshop Only
NCI Pro	NT-W-DS-PRO-ED	NCI Design Workshop - Pro - Standard Doc	Pro	Standard Documentation
NCI Pro	NT-W-DS-PRO-SD	NCI Design Workshop - Pro - Enhanced Doc	Pro	Enhanced Documentation
NCI Ultimate	NT-W-DS-ULT-ED	NCI Design Workshop - Ultimate - Enhanced Doc	Ultimate	Enhanced Documentation
NCI Ultimate	NT-W-DS-ULT-SD	NCI Design Workshop - Ultimate - Standard Doc	Ultimate	Standard Documentation

[Table 33.0, Nutanix Software NCI, NKP, NCI-D, NCI-Edge, EUC, NCP \(NCI-PRO\), NCP \(NCI-ULT\) 1 YEAR SUBSCRIPTION with professional services PID Mapping](#)

[Table 33.1, Nutanix Software NCI, NKP, NCI-D, NCI-Edge, EUC, NCM-U, NCP \(NCI-PRO\), NCP \(NCI-ULT\) 3 YEAR SUBSCRIPTION with professional services PID Mapping](#)

(2) NCI Cluster Deployment or Expansion:

The Nutanix Cloud Infrastructure (NCI) Cluster Deployment or Expansion accelerates the deployment of hybrid cloud infrastructure to support any application and workload. Highly skilled consultants can deploy on-premises NCI clusters or dedicated Nutanix Unified Storage (NUS) clusters. The clusters can be deployed to various supported hardware platforms, regardless of whether it's Nutanix, our OEM partners, or other platform providers. This offer is ideal for the Deploy stage of the Hybrid Multicloud journey.



NOTE:

- For more information on NCI Cluster deployment and expansion workshop, please visit - <https://www.nutanix.com/content/dam/nutanix/resources/service-descriptions/sd-nci-cluster-deployment-or-expansion.pdf>
- For more information on Cisco version of Nutanix Professional services, please visit - <https://www.nutanix.com/content/dam/nutanix/resources/service-descriptions/professional-services-service-descriptions-cisco.pdf>

Table 31.1 NCI Cluster Deployment or Expansion

Nutanix Software Product/Edition	Cisco Product PID	Cisco PID Description PS Offer Name - PS Offer Edition - PS Offer Option - Base/Variable	Nutanix PS Edition	Nutanix PS Option
NCI Starter	NT-S-DP-STR-AVB	NCI Cluster Deployment or Expansion - Starter - AHV - Base	Starter	AHV Nodes
NCI Starter	NT-S-DP-STR-AVV	NCI Cluster Deployment or Expansion - Starter - AHV - Var	Starter	AHV Nodes
NCI Starter	NT-S-DP-STR-EXB	NCI Cluster Deployment or Expansion - Starter - ESX - Base	Starter	ESX Nodes
NCI Starter	NT-S-DP-STR-EXV	NCI Cluster Deployment or Expansion - Starter - ESX - Var	Starter	ESX Nodes
NCI Pro	NT-S-DP-PRO-AV-SB	NCI Cluster Deployment or Expansion - Starter - AHV - Base	Starter	AHV Nodes
NCI Pro	NT-S-DP-PRO-AV-SV	NCI Cluster Deployment or Expansion - Starter - AHV - Var	Starter	AHV Nodes
NCI Pro	NT-S-DP-PRO-EX-SV	NCI Cluster Deployment or Expansion - Starter - ESX - Var	Starter	ESX Nodes
NCI Pro	NT-S-DP-PRO-EX-SB	NCI Cluster Deployment or Expansion - Starter - ESX - Base	Starter	ESX Nodes
NCI Pro	NT-S-DP-PRO-AV-PB	NCI Cluster Deployment or Expansion - Pro - AHV - Base	Pro	AHV Nodes
NCI Pro	NT-S-DP-PRO-AV-PV	NCI Cluster Deployment or Expansion - Pro - AHV - Var	Pro	AHV Nodes
NCI Pro	NT-S-DP-PRO-EX-PB	NCI Cluster Deployment or Expansion - Pro - ESX - Base	Pro	ESX Nodes
NCI Pro	NT-S-DP-PRO-EX-PV	NCI Cluster Deployment or Expansion - Pro - ESX - Var	Pro	ESX Nodes

Table 31.1 NCI Cluster Deployment or Expansion

NCI Ultimate	NT-S-DP-ULT-AV-SB	NCI Cluster Deployment or Expansion - Starter - AHV - Base	Starter	AHV Nodes
NCI Ultimate	NT-S-DP-ULT-AV-SV	NCI Cluster Deployment or Expansion - Starter - AHV - Var	Starter	AHV Nodes
NCI Ultimate	NT-S-DP-ULT-EX-SB	NCI Cluster Deployment or Expansion - Starter - ESX - Base	Starter	ESX Nodes
NCI Ultimate	NT-S-DP-ULT-EX-SV	NCI Cluster Deployment or Expansion - Starter - ESX - Var	Starter	ESX Nodes
NCI Ultimate	NT-S-DP-ULT-AV-PB	NCI Cluster Deployment or Expansion - Pro - AHV - Base	Pro	AHV Nodes
NCI Ultimate	NT-S-DP-ULT-AV-PV	NCI Cluster Deployment or Expansion - Pro - AHV - Var	Pro	AHV Nodes
NCI Ultimate	NT-S-DP-ULT-EX-PB	NCI Cluster Deployment or Expansion - Pro - ESX - Base	Pro	ESX Nodes
NCI Ultimate	NT-S-DP-ULT-EX-PV	NCI Cluster Deployment or Expansion - Pro - ESX - Var	Pro	ESX Nodes
NCI Ultimate	NT-S-DP-ULT-AV-UB	NCI Cluster Deployment or Expansion- Ultimate - AHV - Base	Ultimate	AHV Nodes
NCI Ultimate	NT-S-DP-ULT-AV-UV	NCI Cluster Deployment or Expansion- Ultimate - AHV - Var	Ultimate	AHV Nodes
NCI Ultimate	NT-S-DP-ULT-EX-UB	NCI Cluster Deployment or Expansion- Ultimate - ESX - Base	Ultimate	ESX Nodes
NCI Ultimate	NT-S-DP-ULT-EX-UV	NCI Cluster Deployment or Expansion- Ultimate - ESX - Var	Ultimate	ESX Nodes

[Table 33.0, Nutanix Software NCI, NKP, NCI-D, NCI-Edge, EUC, NCP \(NCI-PRO\), NCP \(NCI-ULT\) 1 YEAR SUBSCRIPTION with professional services PID Mapping](#)

[Table 33.1, Nutanix Software NCI, NKP, NCI-D, NCI-Edge, EUC, NCM-U, NCP \(NCI-PRO\), NCP \(NCI-ULT\) 3 YEAR SUBSCRIPTION with professional services PID Mapping](#)

(3) Virtual Machine Migration Workshop:

The Virtual Machine Migration Workshop offers IT teams in-depth and practical guidance to create a comprehensive virtual machine migration plan for migrating virtual machines to Nutanix Cloud Infrastructure (NCI). This offer is ideal for the Migrate state of a Hybrid Multicloud journey.



NOTE:

- For more information on Virtual Machine Migration Workshop, please visit - <https://www.nutanix.com/content/dam/nutanix/resources/service-descriptions/sd-virtual-machine-migration-workshop.pdf>
- For more information on Cisco version of Nutanix Professional services, please visit - <https://www.nutanix.com/content/dam/nutanix/resources/service-descriptions/professional-services-service-descriptions-cisco.pdf>

Table 31.2 Virtual Machine Migration Workshop

Nutanix Software Product/Edition	Cisco Product PID	Cisco PID Description PS Offer Name - PS Offer Edition - PS Offer Option - Base/Variable	Nutanix PS Edition	Nutanix PS Option
NCI Starter	NT-W-MG-STR-SD	Virtual Machine Migration Workshop - Standard Doc	None	Standard Documentation
NCI Starter	NT-W-MG-STR-ED	Virtual Machine Migration Workshop - Enhanced Doc	None	Enhanced Documentation
NCI Pro	NT-W-MG-PRO-SD	Virtual Machine Migration Workshop - Standard Doc	None	Standard Documentation
NCI Pro	NT-W-MG-PRO-ED	Virtual Machine Migration Workshop - Enhanced Doc	None	Enhanced Documentation
NCI Ultimate	NT-W-MG-ULT-SD	Virtual Machine Migration Workshop - Standard Doc	None	Standard Documentation
NCI Ultimate	NT-W-MG-ULT-ED	Virtual Machine Migration Workshop - Enhanced Doc	None	Enhanced Documentation

Table 33.0, Nutanix Software NCI, NKP, NCI-D, NCI-Edge, EUC, NCP (NCI-PRO), NCP (NCI-ULT) 1 YEAR SUBSCRIPTION with professional services PID Mapping

Table 33.1, Nutanix Software NCI, NKP, NCI-D, NCI-Edge, EUC, NCM-U, NCP (NCI-PRO), NCP (NCI-ULT) 3 YEAR SUBSCRIPTION with professional services PID Mapping

(4) Virtual Machine Migration:

Virtual machine (VM) Migration offers IT teams strong domain expertise to migrate virtual machines to Nutanix Cloud Infrastructure (NCI) per the customer-provided migration plan. This offer is ideal for the Migrate stage of a Hybrid Multicloud journey



NOTE:

- For more information on Virtual Machine Migration, please visit - <https://www.nutanix.com/content/dam/nutanix/resources/service-descriptions/sd-virtual-machine-migration.pdf>
- For more information on Cisco version of Nutanix Professional services, please visit - <https://www.nutanix.com/content/dam/nutanix/resources/service-descriptions/professional-services-service-descriptions-cisco.pdf>

Table 31.3 Virtual Machine Migration

Nutanix Software Product/Edition	Cisco Product PID	Cisco PID Description PS Offer Name - PS Offer Edition - PS Offer Option - Base/Variable	Nutanix PS Edition	Nutanix PS Option
NCI Starter	NT-S-MG-VM-STR-AVB	Virtual Machine Migration - From AHV - Base	None	From AHV
NCI Starter	NT-S-MG-VM-STR-AVV	Virtual Machine Migration - From AHV - Var	None	From AHV
NCI Starter	NT-S-MG-VM-STR-EXB	Virtual Machine Migration - From ESX - Base	None	From ESX
NCI Starter	NT-S-MG-VM-STR-EXV	Virtual Machine Migration - From ESX - Var	None	From ESX
NCI Pro	NT-S-MG-VM-PRO-AVB	Virtual Machine Migration - From AHV - Base	None	From AHV
NCI Pro	NT-S-MG-VM-PRO-AVV	Virtual Machine Migration - From AHV - Var	None	From AHV
NCI Pro	NT-S-MG-VM-PRO-EXB	Virtual Machine Migration - From ESX - Base	None	From ESX
NCI Pro	NT-S-MG-VM-PRO-EXV	Virtual Machine Migration - From ESX - Var	None	From ESX
NCI Ultimate	NT-S-MG-VM-ULT-AVB	Virtual Machine Migration - From AHV - Base	None	From AHV
NCI Ultimate	NT-S-MG-VM-ULT-AVV	Virtual Machine Migration - From AHV - Var	None	From AHV
NCI Ultimate	NT-S-MG-VM-ULT-EXB	Virtual Machine Migration - From ESX - Base	None	From ESX
NCI Ultimate	NT-S-MG-VM-ULT-EXV	Virtual Machine Migration - From ESX - Var	None	From ESX

[Table 33.0, Nutanix Software NCI, NKP, NCI-D, NCI-Edge, EUC, NCP \(NCI-PRO\), NCP \(NCI-ULT\) 1 YEAR SUBSCRIPTION with professional services PID Mapping](#)

[Table 33.1, Nutanix Software NCI, NKP, NCI-D, NCI-Edge, EUC, NCM-U, NCP \(NCI-PRO\), NCP \(NCI-ULT\) 3 YEAR SUBSCRIPTION with professional services PID Mapping](#)

(5) NCM Self-Service Design Workshop:

The Nutanix Cloud Management (NCM) Self-Service Design Workshop offers automation teams in-depth and practical guidance to create a comprehensive design for application-centric infrastructure automation and lifecycle management (LCM) platforms to streamline and accelerate application development. This workshop is beneficial during the Design stage of a Hybrid Multicloud journey.



NOTE:

- For more information on Nutanix Cloud Management (NCM) Self-Service Design Workshop, please visit - <https://www.nutanix.com/content/dam/nutanix/resources/datasheets/professional-services-service-descriptions.pdf>
- For more information on Cisco version of Nutanix Professional services, please visit - <https://www.nutanix.com/content/dam/nutanix/resources/service-descriptions/professional-services-service-descriptions-cisco.pdf>

Table 31.4 NCM Self-Service Design Workshop

Nutanix Software Product/Edition	Cisco Product PID	Cisco PID Description PS Offer Name - PS Offer Edition - PS Offer Option - Base/Variable	Nutanix PS Edition	Nutanix PS Option
NCM Pro	NT-W-SSD-PRO-SD-S	NCM Self-Service Design Workshop - Starter - Standard Doc	Starter	Standard Documentation
NCM Pro	NT-W-SSD-PRO-ED-S	NCM Self-Service Design Workshop - Starter - Enhanced Doc	Starter	Enhanced Documentation
NCM Pro	NT-W-SSD-PRO-SD-P	NCM Self-Service Design Workshop - Pro - Standard Doc	Pro	Standard Documentation
NCM Pro	NT-W-SSD-PRO-ED-P	NCM Self-Service Design Workshop - Pro - Enhanced Doc	Pro	Enhanced Documentation
NCM Ultimate	NT-W-SSD-ULT-SD-S	NCM Self-Service Design Workshop - Starter - Standard Doc	Starter	Standard Documentation
NCM Ultimate	NT-W-SSD-ULT-ED-S	NCM Self-Service Design Workshop - Starter - Enhanced Doc	Starter	Enhanced Documentation
NCM Ultimate	NT-W-SSD-ULT-SD-P	NCM Self-Service Design Workshop - Pro - Standard Doc	Pro	Standard Documentation
NCM Ultimate	NT-W-SSD-ULT-ED-P	NCM Self-Service Design Workshop - Pro - Enhanced Doc	Pro	Enhanced Documentation

[Table 34.0, Nutanix Software NCM STR 1 YEAR SUBSCRIPTION with professional services PID Mapping](#)

[Table 34.1, Nutanix Software NCM STR 3 YEAR AND ABOVE SUBSCRIPTION with Professional Services PID Mapping](#)

[Table 35, Nutanix Software NCM PRO, NCM ULT, NCP \(NCM-PRO\), NCP \(NCM-ULT\) 1 YEAR AND 3 YEAR & ABOVE SUBSCRIPTION with Professional services](#)

(6) NCM Intelligent Operations Design:

The Nutanix Cloud Management (NCM) Intelligent Operations Design Workshop offers IT teams in-depth and practical guidance to create a comprehensive design for Nutanix X-Play automation and playbooks to automate common tasks.



NOTE:

- For more information on NCM Intelligent Operations Design Workshop, please visit - <https://www.nutanix.com/content/dam/nutanix/resources/service-descriptions/sd-ncm-intelligent-operations-design.pdf>
- For more information on Cisco version of Nutanix Professional services, please visit - <https://www.nutanix.com/content/dam/nutanix/resources/service-descriptions/professional-services-service-descriptions-cisco.pdf>

Table 31.5 NCM Intelligent Operations Design Workshop

Nutanix Software Product/Edition	Cisco Product PID	Cisco PID Description PS Offer Name - PS Offer Edition - PS Offer Option - Base/Variable	Nutanix PS Edition	Nutanix PS Option
NCM Starter	NT-W-OD-STR-SD	NCM Intelligent Operations Design Workshop - Standard Doc	None	Standard Documentation
NCM Starter	NT-W-OD-STR-ED	NCM Intelligent Operations Design Workshop - Enhanced Doc	None	Enhanced Documentation
NCM Pro	NT-W-OD-PRO-SD	NCM Intelligent Operations Design Workshop - Standard Doc	None	Standard Documentation
NCM Pro	NT-W-OD-PRO-ED	NCM Intelligent Operations Design Workshop - Enhanced Doc	None	Enhanced Documentation
NCM Ultimate	NT-W-OD-ULT-SD	NCM Intelligent Operations Design Workshop - Standard Doc	None	Standard Documentation
NCM Ultimate	NT-W-OD-ULT-ED	NCM Intelligent Operations Design Workshop - Enhanced Doc	None	Enhanced Documentation

[Table 34.0, Nutanix Software NCM STR 1 YEAR SUBSCRIPTION with professional services PID Mapping](#)

[Table 34.1, Nutanix Software NCM STR 3 YEAR AND ABOVE SUBSCRIPTION with Professional Services PID Mapping](#)

[Table 35, Nutanix Software NCM PRO, NCM ULT, NCP \(NCM-PRO\), NCP \(NCM-ULT\) 1 YEAR AND 3 YEAR & ABOVE SUBSCRIPTION with Professional services](#)

(7) NCM Intelligent Operations Deployment:

The Nutanix Cloud Management (NCM) Intelligent Operations Deployment accelerates the deployment of Nutanix X-Play automation and playbooks to automate common tasks with in-depth expertise from highly skilled consultants.



NOTE:

- For more information on NCM Intelligent Operations Deployment Workshop, please visit - <https://www.nutanix.com/content/dam/nutanix/resources/service-descriptions/sd-ncm-intelligent-operations-deployment.pdf>
- For more information on Cisco version of Nutanix Professional services, please visit - <https://www.nutanix.com/content/dam/nutanix/resources/service-descriptions/professional-services-service-descriptions-cisco.pdf>

Table 31.6 NCM Intelligent Operations Deployment

Nutanix Software Product/Edition	Cisco Product PID	Cisco PID Description PS Offer Name - PS Offer Edition - PS Offer Option - Base/Variable	Nutanix PS Edition	Nutanix PS Option
NCM Starter	NT-S-OP-STR	NCM Intelligent Operations Deployment	None	None
NCM Pro	NT-S-OP-PRO	NCM Intelligent Operations Deployment	None	None
NCM Ultimate	NT-S-OP-ULT	NCM Intelligent Operations Deployment	None	None

[Table 34.0, Nutanix Software NCM STR 1 YEAR SUBSCRIPTION with professional services PID Mapping](#)

[Table 34.1, Nutanix Software NCM STR 3 YEAR AND ABOVE SUBSCRIPTION with Professional Services PID Mapping](#)

[Table 35, Nutanix Software NCM PRO, NCM ULT, NCP \(NCM-PRO\), NCP \(NCM-ULT\) 1 YEAR AND 3 YEAR & ABOVE SUBSCRIPTION with Professional services](#)

(8) FastTrack for NCM Self-Service:

FastTrack for Nutanix Cloud Manager (NCM) Self-Service accelerates the deployment and configuration of NCM Self-Service, which streamlines how teams manage, deploy, and scale applications across hybrid clouds with self-service, automation, and centralized role-based governance, with expertise from highly skilled automation consultants.



NOTE:

- For more information on Fast Track for NCM Self-Service, please visit - <https://www.nutanix.com/content/dam/nutanix/resources/service-descriptions/sd-ncm-intelligent-operations-deployment.pdf>
- For more information on Cisco version of Nutanix Professional services, please visit - <https://www.nutanix.com/content/dam/nutanix/resources/service-descriptions/professional-services-service-descriptions-cisco.pdf>

Table 31.7 FastTrack for NCM Self-Service

Nutanix Software Product/Edition	Cisco Product PID	Cisco PID Description PS Offer Name - PS Offer Edition - PS Offer Option - Base/Variable	Nutanix PS Edition	Nutanix PS Option
NCM Pro	NT-F-PRO-SS	FastTrack for NCM Self-Service	None	None
NCM Ultimate	NT-F-ULT-SS	FastTrack for NCM Self-Service	None	None

Table 34.0, Nutanix Software NCM STR 1 YEAR SUBSCRIPTION with professional services PID Mapping

Table 34.1, Nutanix Software NCM STR 3 YEAR AND ABOVE SUBSCRIPTION with Professional Services PID Mapping

Table 35, Nutanix Software NCM PRO, NCM ULT, NCP (NCM-PRO), NCP (NCM-ULT) 1 YEAR AND 3 YEAR & ABOVE SUBSCRIPTION with Professional services

(9) FastTrack for NCM Cost Governance:

The FastTrack for Nutanix Cloud Management (NCM) Cost Governance accelerates the onboarding of deep visibility and rich analytics detailing cloud consumption patterns along with one-click cost optimization across cloud environments with expertise from highly skilled consultants. IT teams can choose to onboard on-premises Nutanix Cloud Infrastructure (NCI) clusters or a public cloud platform.



NOTE:

- For more information on Fast Track for NCM Cost Governance, please visit - <https://www.nutanix.com/content/dam/nutanix/resources/service-descriptions/sd-ncm-intelligent-operations-deployment.pdf>
- For more information on Cisco version of Nutanix Professional services, please visit - <https://www.nutanix.com/content/dam/nutanix/resources/service-descriptions/professional-services-service-descriptions-cisco.pdf>

Table 31.8 FastTrack for NCM Cost Governance

Nutanix Software Product/Edition	Cisco Product PID	Cisco PID Description PS Offer Name - PS Offer Edition - PS Offer Option - Base/Variable	Nutanix PS Edition	Nutanix PS Option
NCM Pro	NT-F-PRO-CG	FastTrack for NCM Cost Governance	None	None
NCM Ultimate	NT-F-ULT-CG	FastTrack for NCM Cost Governance	None	None

[Table 34.0, Nutanix Software NCM STR 1 YEAR SUBSCRIPTION with professional services PID Mapping](#)

[Table 34.1, Nutanix Software NCM STR 3 YEAR AND ABOVE SUBSCRIPTION with Professional Services PID Mapping](#)

[Table 35, Nutanix Software NCM PRO, NCM ULT, NCP \(NCM-PRO\), NCP \(NCM-ULT\) 1 YEAR AND 3 YEAR & ABOVE SUBSCRIPTION with Professional services](#)

(10) Nutanix Services Flexible Credits:

Nutanix Flex Credits provide a credits program for purchasing Nutanix Professional Services. This program provides the flexibility to utilize your budget cycles to pre-buy credits for future use of Nutanix Professional Services and training via redemption of credits. Within the terms of validity of your Flex Credits, use the credits for the portfolio of Nutanix Professional Services including Consulting, Resident, Technical Account Manager, and Education.



NOTE:

- For more information on Nutanix Services Flexible Credits, please visit - <https://www.nutanix.com/content/dam/nutanix/resources/service-descriptions/sd-ncm-intelligent-operations-deployment.pdf>
- For more information on Cisco version of Nutanix Professional services, please visit - <https://www.nutanix.com/content/dam/nutanix/resources/service-descriptions/professional-services-service-descriptions-cisco.pdf>

Table 31.9 Nutanix Flexible Credits

Nutanix Software Product/Edition	Cisco Product PID	Cisco PID Description PS Offer Name - PS Offer Edition - PS Offer Option - Base/Variable	Nutanix PS Edition	Nutanix PS Option
All	NT-FLEX-CST-CR	Nutanix Services Flexible Credits	None	None

[Table 34.0, Nutanix Software NCM STR 1 YEAR SUBSCRIPTION with professional services PID Mapping](#)

[Table 34.1, Nutanix Software NCM STR 3 YEAR AND ABOVE SUBSCRIPTION with Professional Services PID Mapping](#)

[Table 35, Nutanix Software NCM PRO, NCM ULT, NCP \(NCM-PRO\), NCP \(NCM-ULT\) 1 YEAR AND 3 YEAR & ABOVE SUBSCRIPTION with Professional services](#)

Nutanix Support:

Table 32 Nutanix Support

Product ID (PID)	PID Description
Nutanix Support	
SVS-NT-SUP	Entitlement ONLY for Nutanix Cloud Infrastructure SW

Software With Professional Services PID Mapping



NOTE: Recommended to select the matching/higher level of service options for the subscribed software. For example: If ULT (Ultimate) software is selected, recommended to choose the ULT services from the below columns. However, it is allowed to select the lower version of the services.

Table 33.0 Nutanix Software NCI, NKP, NCI-D, NCI-Edge, EUC, NCP (NCI-PRO), NCP (NCI-ULT) **1 YEAR SUBSCRIPTION** with professional services PID Mapping

Software PIDs	Mandatory Professional Services PIDs	
	NCI Design Workshop (select one service)	NCI Cluster Deployment or Expansion (select a Pair of service)
STR: NCI NT-NCI-STR-PR NT-NCI-STR-MC NT-NCI-STR-AP NT-NCI-STR-AM NT-NCI-STR-FP NT-NCI-STR-FM NCI-D NT-NCI-D-STR-PR NT-NCI-D-STR-MC NT-NCI-D-STR-AP NT-NCI-D-STR-AM NT-NCI-D-STR-FP NT-NCI-D-STR-FM EUC NT-EUC-STR-PR NT-EUC-STR-MC NT-EUC-STR-AP NT-EUC-STR-AM NT-EUC-STR-FP NT-EUC-STR-FM NKP (FS-STR) NT-NKP-FS-STR-PR NT-NKP-FS-STR-MC NT-NKP-FS-STR-AP NT-NKP-FS-STR-AM NT-NKP-FS-STR-FP NT-NKP-FS-STR-FM	STR: NT-W-DS-STR NT-W-DS-STR-SD NT-W-DS-STR-ED PRO: NT-W-DS-PRO NT-W-DS-PRO-SD NT-W-DS-PRO-ED ULT: NT-W-DS-ULT-SD NT-W-DS-ULT-ED	STR: NT-S-DP-STR-AVB and NT-S-DP-STR-AVV or NT-S-DP-STR-EXB and N T-S-DP-STR-EXV PRO: NT-S-DP-PRO-AV-SB and NT-S-DP-PRO-AV-SV or NT-S-DP-PRO-EX-SB and NT-S-DP-PRO-EX-SV or NT-S-DP-PRO-AV-PB and NT-S-DP-PRO-AV-PV or NT-S-DP-PRO-EX-PB and NT-S-DP-PRO-EX-PV ULT: NT-S-DP-ULT-AV-SB and NT-S-DP-ULT-AV-SV or NT-S-DP-ULT-EX-SB and NT-S-DP-ULT-EX-SV or NT-S-DP-ULT-AV-PB and NT-S-DP-ULT-AV-PV or NT-S-DP-ULT-EX-PB and NT-S-DP-ULT-EX-PV or NT-S-DP-ULT-AV-UB and NT-S-DP-ULT-AV-UV or NT-S-DP-ULT-EX-UB and NT-S-DP-ULT-EX-UV

Table 33.0 Nutanix Software NCI, NKP, NCI-D, NCI-Edge, EUC, NCP (NCI-PRO), NCP (NCI-ULT) **1 YEAR SUBSCRIPTION** with professional services PID Mapping

<p>PRO:</p> <p>NCI</p> <p>NT-NCI-PRO-PR NT-NCI-PRO-MC NT-NCI-PRO-AP NT-NCI-PRO-AM NT-NCI-PRO-FP NT-NCI-PRO-FM</p> <p>NCI-D</p> <p>NT-NCI-D-PRO-PR NT-NCI-D-PRO-MC NT-NCI-D-PRO-AP NT-NCI-D-PRO-AM NT-NCI-D-PRO-FP NT-NCI-D-PRO-FM</p> <p>EUC</p> <p>NT-EUC-PRO-PR NT-EUC-PRO-MC NT-EUC-PRO-AP NT-EUC-PRO-AM NT-EUC-PRO-FP NT-EUC-PRO-FM</p> <p>NCP (NCI-PRO)</p> <p>NT-NCP-NCI-PRO-PR NT-NCP-NCI-PRO-MC NT-NCP-NCI-PRO-AP NT-NCP-NCI-PRO-AM NT-NCP-NCI-PRO-FP NT-NCP-NCI-PRO-FM</p> <p>NKP</p> <p>NT-NKP-PRO-PR NT-NKP-PRO-MC NT-NKP-PRO-AP NT-NKP-PRO-AM NT-NKP-PRO-FP NT-NKP-PRO-FM</p> <p>NKP (FS-PRO)</p> <p>NT-NKP-FS-PRO-PR NT-NKP-FS-PRO-MC NT-NKP-FS-PRO-AP NT-NKP-FS-PRO-AM NT-NKP-FS-PRO-FP NT-NKP-FS-PRO-FM</p>		
---	--	--

Table 33.0 Nutanix Software NCI, NKP, NCI-D, NCI-Edge, EUC, NCP (NCI-PRO), NCP (NCI-ULT) **1 YEAR SUBSCRIPTION** with professional services PID Mapping

<p>ULT:</p> <p>NCI</p> <p>NT-NCI-ULT-PR NT-NCI-ULT-MC NT-NCI-ULT-AP NT-NCI-ULT-AM NT-NCI-ULT-FP NT-NCI-ULT-FM</p> <p>NCI-D NT-NCI-D-ULT-PR NT-NCI-D-ULT-MC NT-NCI-D-ULT-AP NT-NCI-D-ULT-AM NT-NCI-D-ULT-FP NT-NCI-D-ULT-FM</p> <p>EUC</p> <p>NT-EUC-ULT-PR NT-EUC-ULT-MC NT-EUC-ULT-AP NT-EUC-ULT-AM NT-EUC-ULT-FP NT-EUC-ULT-FM</p> <p>NCP (NCI-ULT)</p> <p>NT-NCP-NCI-ULT-PR NT-NCP-NCI-ULT-MC NT-NCP-NCI-ULT-AP NT-NCP-NCI-ULT-AM NT-NCP-NCI-ULT-FP NT-NCP-NCI-ULT-FM</p> <p>NKP</p> <p>NT-NKP-ULT-PR NT-NKP-ULT-MC NT-NKP-ULT-AP NT-NKP-ULT-AM NT-NKP-ULT-FP NT-NKP-ULT-FM</p> <p>NKP (FS-ULT)</p> <p>NT-NKP-FS-ULT-PR NT-NKP-FS-ULT-MC NT-NKP-FS-ULT-AP NT-NKP-FS-ULT-AM NT-NKP-FS-ULT-FP NT-NKP-FS-ULT-FM</p>		
--	--	--



NOTE: Recommended to select the matching/higher level of service options for the subscribed software. For example: If ULT (Ultimate) software is selected, recommended to choose the ULT services from the below columns. However, it is allowed to select the lower version of the services.

Table 33.1 Nutanix Software NCI, NKP, NCI-D, NCI-Edge, EUC, NCM-U, NCP (NCI-PRO), NCP (NCI-ULT) **3 YEAR SUBSCRIPTION** with professional services PID Mapping

Software PIDs	Mandatory Professional Services PIDs	
	NCI Design Workshop (select one service)	NCI Cluster Deployment or Expansion (select a Pair of service)
STR: NCI NT-NCI-STR-PR NT-NCI-STR-MC NT-NCI-STR-AP NT-NCI-STR-AM NT-NCI-STR-FP NT-NCI-STR-FM NCI-D NT-NCI-D-STR-PR NT-NCI-D-STR-MC NT-NCI-D-STR-AP NT-NCI-D-STR-AM NT-NCI-D-STR-FP NT-NCI-D-STR-FM EUC NT-EUC-STR-PR NT-EUC-STR-MC NT-EUC-STR-AP NT-EUC-STR-AM NT-EUC-STR-FP NT-EUC-STR-FM NKP (FS-STR) NT-NKP-FS-STR-PR NT-NKP-FS-STR-MC NT-NKP-FS-STR-AP NT-NKP-FS-STR-AM NT-NKP-FS-STR-FP NT-NKP-FS-STR-FM	STR: NT-W-DS-STR NT-W-DS-STR-SD NT-W-DS-STR-ED PRO: NT-W-DS-PRO NT-W-DS-PRO-SD NT-W-DS-PRO-ED ULT: NT-W-DS-ULT-SD NT-W-DS-ULT-ED	STR: NT-S-DP-STR-AVB and NT-S-DP-STR-AVV or NT-S-DP-STR-EXB and NT-S-DP-STR-EXV PRO: NT-S-DP-PRO-AV-SB and NT-S-DP-PRO-AV-SV or NT-S-DP-PRO-EX-SB and NT-S-DP-PRO-EX-SV or NT-S-DP-PRO-AV-PB and NT-S-DP-PRO-AV-PV or NT-S-DP-PRO-EX-PB and NT-S-DP-PRO-EX-PV ULT: NT-S-DP-ULT-AV-SB and NT-S-DP-ULT-AV-SV or NT-S-DP-ULT-EX-SB and NT-S-DP-ULT-EX-SV or NT-S-DP-ULT-AV-PB and NT-S-DP-ULT-AV-PV or NT-S-DP-ULT-EX-PB and NT-S-DP-ULT-EX-PV or NT-S-DP-ULT-AV-UB and NT-S-DP-ULT-AV-UV or NT-S-DP-ULT-EX-UB and NT-S-DP-ULT-EX-UV

Table 33.1 Nutanix Software NCI, NKP, NCI-D, NCI-Edge, EUC, NCM-U, NCP (NCI-PRO), NCP (NCI-ULT) **3 YEAR SUBSCRIPTION** with professional services PID Mapping

<p>PRO:</p> <p>NCI</p> <p>NT-NCI-PRO-PR NT-NCI-PRO-MC NT-NCI-PRO-AP NT-NCI-PRO-AM NT-NCI-PRO-FP NT-NCI-PRO-FM</p> <p>NCI-D</p> <p>NT-NCI-D-PRO-PR NT-NCI-D-PRO-MC NT-NCI-D-PRO-AP NT-NCI-D-PRO-AM NT-NCI-D-PRO-FP NT-NCI-D-PRO-FM</p> <p>EUC</p> <p>NT-EUC-PRO-PR NT-EUC-PRO-MC NT-EUC-PRO-AP NT-EUC-PRO-AM NT-EUC-PRO-FP NT-EUC-PRO-FM</p> <p>NCP (NCI-PRO)</p> <p>NT-NCP-NCI-PRO-PR NT-NCP-NCI-PRO-MC NT-NCP-NCI-PRO-AP NT-NCP-NCI-PRO-AM NT-NCP-NCI-PRO-FP NT-NCP-NCI-PRO-FM</p> <p>NKP</p> <p>NT-NKP-PRO-PR NT-NKP-PRO-MC NT-NKP-PRO-AP NT-NKP-PRO-AM NT-NKP-PRO-FP NT-NKP-PRO-FM</p> <p>NKP (FS-PRO)</p> <p>NT-NKP-FS-PRO-PR NT-NKP-FS-PRO-MC NT-NKP-FS-PRO-AP NT-NKP-FS-PRO-AM NT-NKP-FS-PRO-FP NT-NKP-FS-PRO-FM</p>		
---	--	--

Table 33.1 Nutanix Software NCI, NKP, NCI-D, NCI-Edge, EUC, NCM-U, NCP (NCI-PRO), NCP (NCI-ULT) **3 YEAR SUBSCRIPTION** with professional services PID Mapping

<p>ULT:</p> <p>NCI</p> <p>NT-NCI-ULT-PR NT-NCI-ULT-MC NT-NCI-ULT-AP NT-NCI-ULT-AM NT-NCI-ULT-FP NT-NCI-ULT-FM</p> <p>NCI-D NT-NCI-D-ULT-PR NT-NCI-D-ULT-MC NT-NCI-D-ULT-AP NT-NCI-D-ULT-AM NT-NCI-D-ULT-FP NT-NCI-D-ULT-FM</p> <p>EUC</p> <p>NT-EUC-ULT-PR NT-EUC-ULT-MC NT-EUC-ULT-AP NT-EUC-ULT-AM NT-EUC-ULT-FP NT-EUC-ULT-FM</p> <p>NCP (NCI-ULT)</p> <p>NT-NCP-NCI-ULT-PR NT-NCP-NCI-ULT-MC NT-NCP-NCI-ULT-AP NT-NCP-NCI-ULT-AM NT-NCP-NCI-ULT-FP NT-NCP-NCI-ULT-FM</p> <p>NKP</p> <p>NT-NKP-ULT-PR NT-NKP-ULT-MC NT-NKP-ULT-AP NT-NKP-ULT-AM NT-NKP-ULT-FP NT-NKP-ULT-FM</p> <p>NKP (FS-ULT)</p> <p>NT-NKP-FS-ULT-PR NT-NKP-FS-ULT-MC NT-NKP-FS-ULT-AP NT-NKP-FS-ULT-AM NT-NKP-FS-ULT-FP NT-NKP-FS-ULT-FM</p>		
--	--	--



NOTE: Recommended to select the matching/higher level of service options for the subscribed software. For example: If ULT (Ultimate) software is selected, recommended to choose the ULT services from the below columns. However, it is allowed to select the lower version of the services.

Table 34.0 Nutanix Software NCM STR [redacted] with professional services PID Mapping

Software PIDs	Mandatory Professional Services PIDs	
	NCM Intelligent Operations Design (select one service)	NCM Intelligent Operations Deployment (select one service)
STR: NCM NT-NCM-STR-PR NT-NCM-STR-MC NT-NCM-STR-AP NT-NCM-STR-AM NT-NCM-STR-FP NT-NCM-STR-FM NCM-U NT-NCM-U-STR-PR NT-NCM-U-STR-MC NT-NCM-U-STR-AP NT-NCM-U-STR-AM NT-NCM-U-STR-FP NT-NCM-U-STR-FM	STR: NT-W-OD-STR-SD NT-W-OD-STR-ED PRO: NT-W-OD-PRO-SD NT-W-OD-PRO-ED ULT: NT-W-OD-ULT-SD NT-W-OD-ULT-ED	STR: NT-S-OP-STR PRO: NT-S-OP-PRO ULT: NT-S-OP-ULT



NOTE: Recommended to select the matching/higher level of service options for the subscribed software. For example: If ULT (Ultimate) software is selected, recommended to choose the ULT services from the below columns. However, it is allowed to select the lower version of the services.

Table 35 Nutanix Software NCM PRO, NCM ULT, NCP (NCM-PRO), NCP (NCM-ULT) **1 YEAR AND 3 YEAR & ABOVE SUBSCRIPTION** with Professional services

Software PIDs	Mandatory Professional Services PIDs				
	NCM Self-Service Design Workshop (select one service)	NCM Intelligent Operations Design (select one service)	NCM Intelligent Operations Deployment (select one service)	FastTrack for NCM Self-Service (select one service)	FastTrack for NCM Cost Governance (select one service)
PRO: NCM NT-NCM-PRO-PR NT-NCM-PRO-MC NT-NCM-PRO-AP NT-NCM-PRO-AM NT-NCM-PRO-FP NT-NCM-PRO-FM NCM-U NT-NCM-U-PRO-PR NT-NCM-U-PRO-MC NT-NCM-U-PRO-AP NT-NCM-U-PRO-AM NT-NCM-U-PRO-FP NT-NCM-U-PRO-FM NCP (NCM-PRO) NT-NCP-NCM-PRO-PR NT-NCP-NCM-PRO-MC NT-NCP-NCM-PRO-AP NT-NCP-NCM-PRO-AM NT-NCP-NCM-PRO-FP NT-NCP-NCM-PRO-FM ULT: NCM NT-NCM-ULT-PR NT-NCM-ULT-MC NT-NCM-ULT-AP NT-NCM-ULT-AM NT-NCM-ULT-FP NT-NCM-ULT-FM	PRO: NT-W-SSD-PRO-SD-S NT-W-SSD-PRO-ED-S NT-W-SSD-PRO-SD-P NT-W-SSD-PRO-ED-P ULT: NT-W-SSD-ULT-SD-S NT-W-SSD-ULT-ED-S NT-W-SSD-ULT-SD-P NT-W-SSD-ULT-ED-P	STR: NT-W-OD-STR-SD NT-W-OD-STR-ED PRO: NT-W-OD-PRO-SD NT-W-OD-PRO-ED ULT: NT-W-OD-ULT-SD NT-W-OD-ULT-ED	STR: NT-S-OP-STR PRO: NT-S-OP-PRO ULT: NT-S-OP-ULT	PRO: NT-F-PRO-SS ULT: NT-F-ULT-SS	PRO: NT-F-PRO-CG ULT: NT-F-ULT-CG

Table 35 Nutanix Software NCM PRO, NCM ULT, NCP (NCM-PRO), NCP (NCM-ULT) **1 YEAR AND 3 YEAR & ABOVE SUBSCRIPTION** with Professional services

<p>NCM-U</p> <p>NT-NCM-U-ULT-PR NT-NCM-U-ULT-MC NT-NCM-U-ULT-AP NT-NCM-U-ULT-AM NT-NCM-U-ULT-FP NT-NCM-U-ULT-FM</p> <p>NCP (NCM-ULT)</p> <p>NT-NCP-NCM-ULT-PR NT-NCP-NCM-ULT-MC NT-NCP-NCM-ULT-AP NT-NCP-NCM-ULT-AM NT-NCP-NCM-ULT-FP NT-NCP-NCM-ULT-FM</p>					
---	--	--	--	--	--

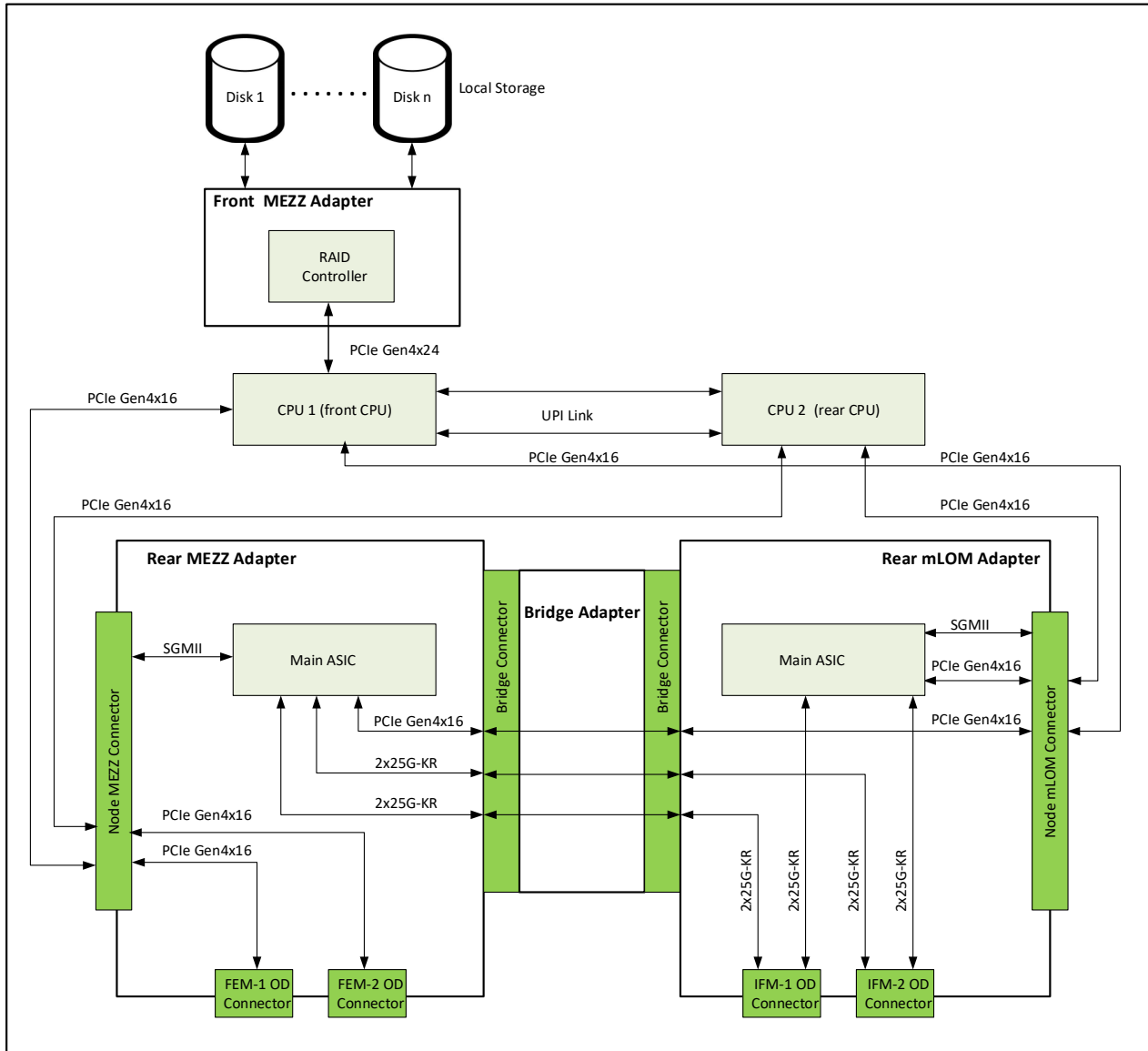
■

SUPPLEMENTAL MATERIAL

Simplified Block Diagram

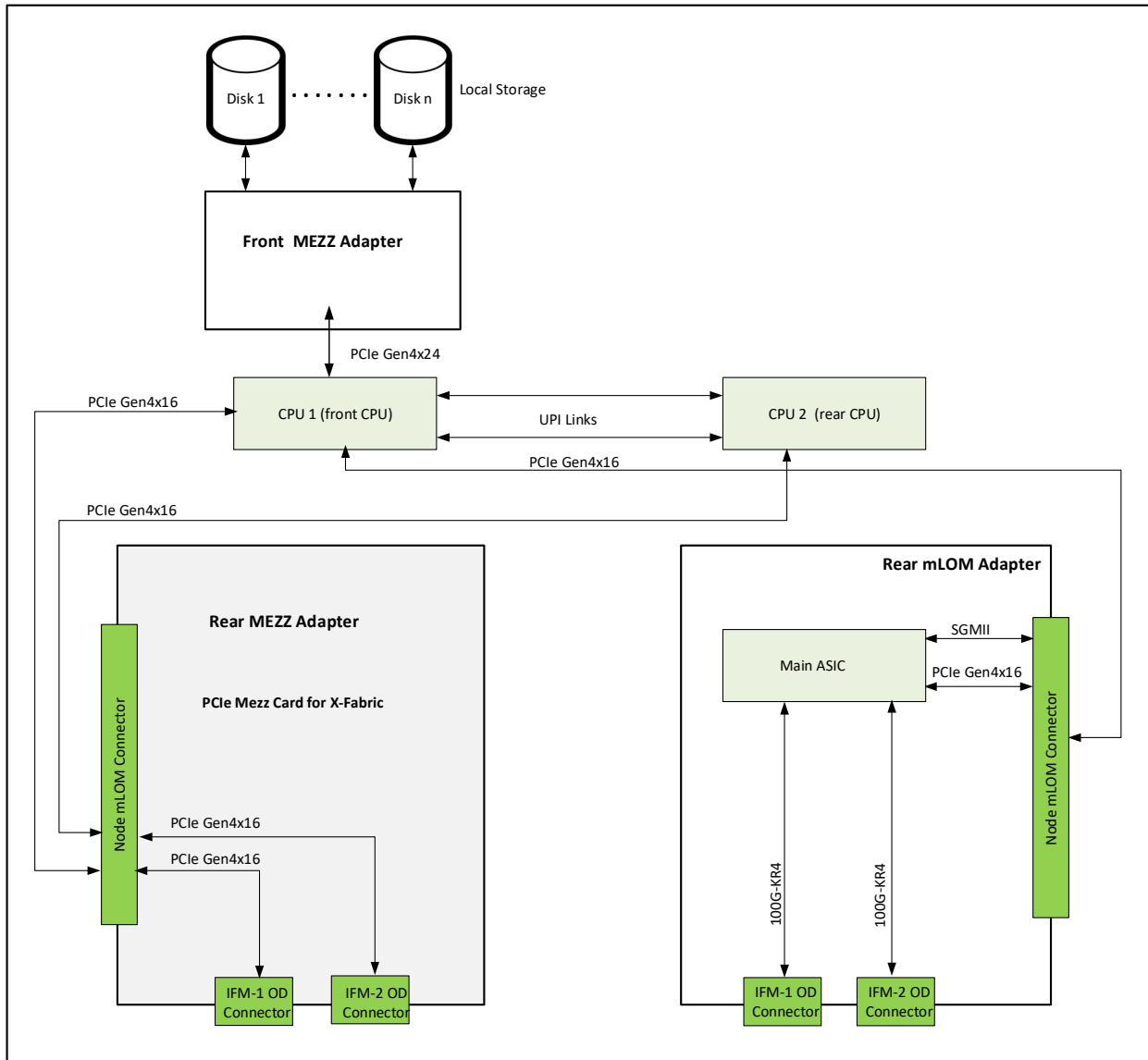
A simplified block diagram of the Cisco Compute Hyperconverged HCIX210c M7 All-NVMe Node system board is shown in [Figure 7](#).

Figure 7 Cisco Compute Hyperconverged HCIX210c M7 All-NVMe Node Simplified Block Diagram (VIC



25G with Drives)

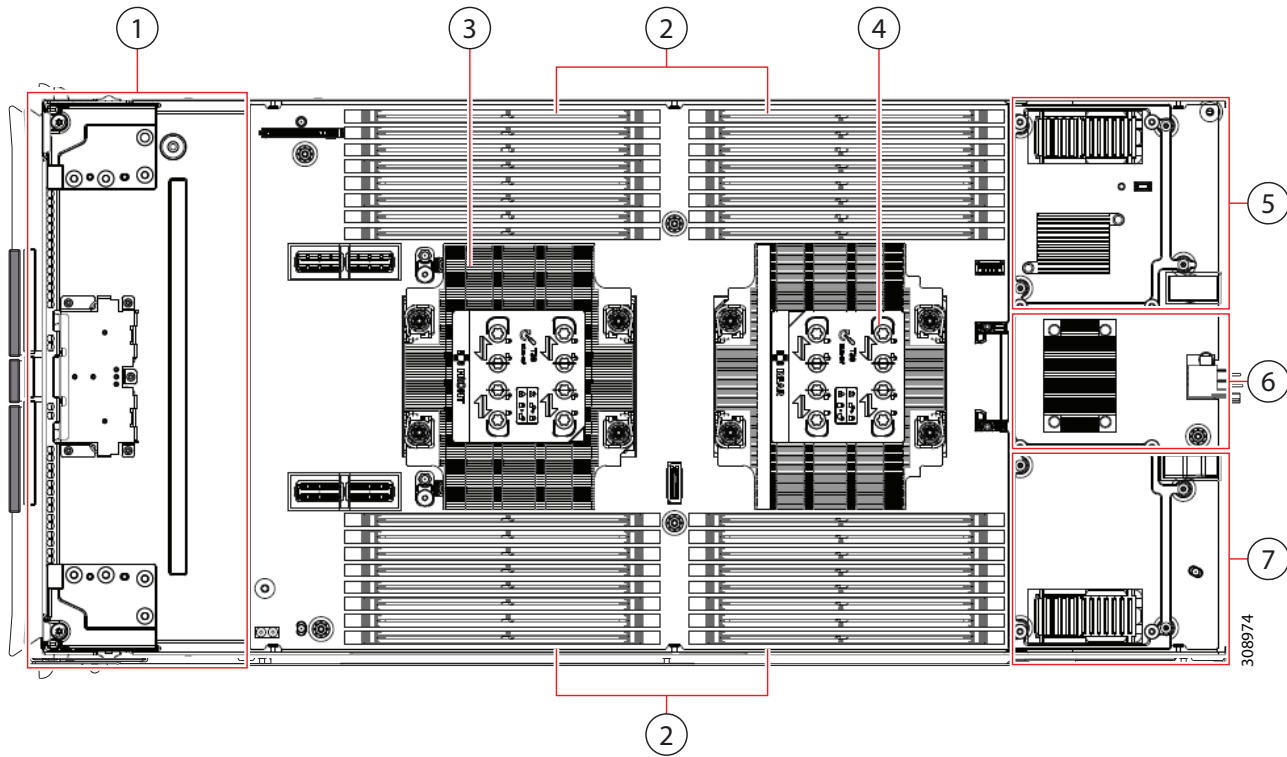
Figure 8 Cisco Compute Hyperconverged HCIX210c M7 All-NVMe Node Simplified Block Diagram (VIC 100G with Drives)



System Board

A top view of the Cisco Compute Hyperconverged HCIX210c M7 All-NVMe Node system board is shown in [Figure 9](#).

Figure 9 Cisco Compute Hyperconverged HCIX210c M7 All-NVMe Node System Board



1	Front mezzanine slot for SAS/SATA or NVMe drives and M.2 Controllers.	5	Rear mezzanine slot, which supports a mezzanine card with standard or extended mLOM. If an extended mLOM slot is used, it occupies this slot, such that no rear mezzanine card can be installed.
2	DIMM slots (32 maximum)	6	Bridge adapter (for connecting the mLOM to the rear mezzanine card)
3	CPU 1 slot (shown populated)	7	mLOM slot for a standard or extended mLOM
4	CPU 2 slot (shown populated)	-	-

Please refer to the [Cisco Compute Hyperconverged HCIX210c M7 All-NVMe Node Installation Guide](#) for installation procedures.

UPGRADING or REPLACING CPUs and Memory

- Refer to [Server Installation and Service Guide](#) to upgrading or replacing the CPUs
- Refer to [Server Installation and Service Guide](#) to upgrading or replacing the Memory

5TH GEN INTEL XEON BENEFIT PILLARS

INTEL® XEON® PROCESSORS

5TH GEN INTEL® XEON® PROCESSORS

INTEL XEON HEADLINE: Trusted performance. Exceptional efficiency.

5TH GEN INTEL XEON VALUE PROPOSITION:

Get impressive performance per watt gains across all your workloads,¹ plus outsized performance and TCO in AI, database, networking, and HPC.² 5th Gen Intel® Xeon® processors deliver more compute and faster memory³ at the same TDP as the previous generation. It's software- and platform-compatible with the previous generation, so you can minimize testing and validation when deploying new systems.

AI-FOCUSED LEAD MESSAGE: The processor designed for AI

The processor designed for AI With AI acceleration in every core, 5th Gen Intel® Xeon® processors are ready to handle your demanding AI workloads—including inference and fine tuning on models up to 20 billion parameters⁴—before you need to add discrete accelerators.

5TH GEN INTEL XEON BENEFIT PILLARS:

Performance	AI	Efficiency	Quality and security
<ul style="list-style-type: none"> ■ 21% average performance gain at the same TDP as 4th Gen Intel® Xeon® processors¹ ■ Up to 16% memory bandwidth improvement³ and 2.7x increased last level cache⁴ vs. 4th Gen Intel® Xeon® processors ■ 84% average performance gain over 3rd Gen Intel® Xeon® processors⁵ ■ Out-of-box software performance using accelerators 	<ul style="list-style-type: none"> ■ Less than 100 ms second-token latency on LLMs under 20 billion parameters⁶ ■ Up to 2.7x better AI inference performance vs. 4th Gen AMD EPYC processors⁷ ■ Up to 14x better AI training and inference performance vs. 3rd Gen Intel® Xeon® processors⁸ ■ Software tools and ecosystem to accelerate AI ■ Confidential computing to help protect AI models 	<ul style="list-style-type: none"> ■ Up to 10x higher performance per watt using built-in accelerators⁹ ■ Up to 3x higher performance per watt with built-in accelerators vs. 4th Gen AMD EPYC processors¹⁰ 	<ul style="list-style-type: none"> ■ Software- and pin-compatible with 4th Gen Intel® Xeon® processors ■ Silicon-based security features, confidential computing, and trust services ■ Leading quality and enhanced telemetry ■ Largest ecosystem of hardware and software vendors

Availability of accelerators varies depending on SKU. Visit the [5th Gen Intel Product Information page](#) for additional product details.

See [Intel® Xeon® Processors Notices and Disclaimers](#) in next page.

Notes:

1. Average performance gain as measured by the geomean of SPEC CPU rate, STREAM Triad, and LINPACK compared to 4th Gen Intel® Xeon® processor. See G1 at intel.com/processorclaims: 5th Gen Intel Xeon Scalable processors. Results may vary.


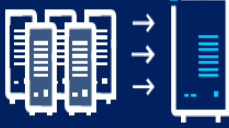


2. As measured by performance per watt on a range of AI, database, networking, and HPC workloads compared to 4th Gen Intel® Xeon® processor. See A2, A19-A25, D1, D2, D5, H1, N16 at intel.com/processorclaims: 5th Gen Intel Xeon Scalable processors. Results may vary.
3. See G12 at intel.com/processorclaims: 5th Gen Intel Xeon Scalable processors. Results may vary.
4. See G11 at intel.com/processorclaims: 5th Gen Intel Xeon Scalable processors. Results may vary.
5. Average performance gain as measured by the geomean of SPEC CPU rate, STREAM Triad, and LINPACK compared to 3rd Gen Intel® Xeon® processor. See G3 at intel.com/processorclaims: 5th Gen Intel Xeon Scalable processors. Results may vary.
6. Based on Intel internal modelling as of December 2023.
7. Based on performance gains of 1.19x to 2.69x with Intel® Advanced Matrix Extensions (Intel® AMX) for inference on GPT-J, LLaMA-2 13B, DLRM, DistilBERT, BERT-Large, and ResNet50v1.5 compared to AMD EYPC 9654 and 9754. See A201, A202, A208-A211 at intel.com/processorclaims: 5th Gen Intel Xeon Scalable processors. Results may vary.
8. Based on performance gains of 4.4x to 14.2x for training (ResNet50v1.5, BERT-Large, SSD-ResNet34, RNN-T, MaskRCNN, and DLRM) and 2.9x to 14x for inference (ResNet50v1.5, BERT-Large, SSD-ResNet34, RNN-T (BF16 only), Resnext101 32x16d, MaskRCNN (BF16 only), DistilBERT) compared to 3rd Gen Intel® Xeon® processor. See A15-A16 at intel.com/processorclaims: 5th Gen Intel Xeon Scalable processors. Results may vary.
9. Based on performance per watt gains of 1.46x to 10.6x with built-in accelerators on a range of AI, database, and networking workloads. See A19-A25, D1, D2, D5, N16 at intel.com/processorclaims: 5th Gen Intel Xeon Scalable processors. Results may vary.
10. Based on performance per watt gains of 1.11x to 2.96x with built-in accelerators on a range of AI, database, networking, and HPC workloads compared to AMD EYPC 9554, 9654, and 9754. See A208-A211, D201-D204, H201, N201 at intel.com/processorclaims: 5th Gen Intel Xeon Scalable processors. Results may vary.

Intel® Xeon® Processors Notices and Disclaimers

- Availability of accelerators varies depending on SKU. Visit the Intel Product Information page for additional product details.
- Performance varies by use, configuration and other factors.
- Performance results are based on testing as of dates shown in configurations and may not reflect all publicly available updates. See backup for configuration details. No product or component can be absolutely secure.
- Your costs and results may vary.
- Intel technologies may require enabled hardware, software or service activation.
- Intel does not control or audit third-party data. You should consult other sources to evaluate accuracy.
- © Intel Corporation. Intel, the Intel logo, and other Intel marks are trademarks of Intel Corporation or its subsidiaries. Other names and brands may be claimed as the property of others.
- Intel contributes to the development of benchmarks by participating in, sponsoring, and/or contributing technical support to various benchmarking groups, including the BenchmarkXPRT Development Community administered by Principled Technologies.

LEADERSHIP PERFORMANCE WITH 4TH GEN INTEL® XEON® PROCESSORS

Improve performance efficiency for critical workloads with the most built-in accelerators.

<p>Accelerate Performance</p>  <p>53% general purpose performance gains ¹</p> <p>up to 10x increase in AI workload performance with built-in accelerators ²</p>	<p>Reduce TCO</p>  <p>Up to 5:1 server consolidation with 75% TCO reduction ³</p> <p>3x better efficiency (perf/watt) with built in accelerators ⁴</p>	<p>Increase Security</p>  <p><u>Most researched</u> and deployed confidential computing technology in data centers on the market today</p> <p><u>Accelerated data encryption</u> performance with built in accelerators</p>	<p>Accelerate Time to Market</p>  <p>Extensively tested and validated to <u>run critical workloads at scale</u></p> <p><u>Most choice and flexibility</u> for deployments with largest ecosystem</p>
---	--	---	--

Availability of accelerators varies depending on SKU. Visit the [4th Gen Intel Product Information page](#) for additional product details.

See [Intel® Xeon® Processors Notices and Disclaimers](#) in next page.

Notes:

1. Compared to prior generation Intel® Xeon® processor. See [G1] at intel.com/processorclaims: 4th Gen Intel® Xeon® Scalable processors. Results may vary.
2. Compared to prior generation Intel® Xeon® processor. See [A16] and [A17] at intel.com/processorclaims: 4th Gen Intel® Xeon® Scalable processors. Results may vary.
3. Comparing benefits transitioning from Intel® Xeon® 4110 to Intel® Xeon® 5420+. See [E11] at intel.com/processorclaims: 4th Gen Intel® Xeon® Scalable processors. Results may vary.
4. Compared to prior generation Intel® Xeon® processor. See [E1] at intel.com/processorclaims: 4th Gen Intel® Xeon® Scalable processors. Results may vary.

Intel® Xeon® Processors Notices and Disclaimers

- Performance varies by use, configuration and other factors.
- Performance results are based on testing as of dates shown in configurations and may not reflect all publicly available updates. See backup for configuration details. No product or component can be absolutely secure.
- Your costs and results may vary.
- Intel technologies may require enabled hardware, software or service activation.
- Intel does not control or audit third-party data. You should consult other sources to evaluate accuracy.
- © Intel Corporation. Intel, the Intel logo, and other Intel marks are trademarks of Intel Corporation or its subsidiaries. Other names and brands may be claimed as the property of others.
- Intel contributes to the development of benchmarks by participating in, sponsoring, and/or contributing technical support to various benchmarking groups, including the BenchmarkXPRT Development Community administered by Principled Technologies.

TECHNICAL SPECIFICATIONS

Dimensions and Weight

Table 36 Cisco Compute Hyperconverged HCIX210c M7 All-NVMe Node Dimensions and Weight

Parameter	Value
Height	1.80 in. (45.7 mm)
Width	11.28 in. (286.5 mm)
Depth	23.7 in. (602 mm)
Weight	<ul style="list-style-type: none"> ■ Minimally configured node weight = 12.84 lbs. (5.83 kg) ■ Fully configured cisco compute hyperconverged node weight = 25.1 lbs. (11.39 kg)

Environmental Specifications

Table 37 Cisco Compute Hyperconverged HCIX210c M7 All-NVMe Node Environmental Specifications

Parameter	Value
Operating temperature	50° to 95° F (10° to 35° C)
Non-operating temperature	-40° to 149° F (-40° to 65° C)
Operating humidity	5% to 90% noncondensing
Non-operating humidity	5% to 93% noncondensing
Operating altitude	0 to 10,000 ft (0 to 3000m); maximum ambient temperature decreases by 1° C per 300m
Non-operating altitude	40,000 ft (12,000m)

For configuration-specific power specifications, use the Cisco Power Calculator at:

<http://ucspowercalc.cisco.com>



NOTE: The Cisco Compute Hyperconverged HCIX210c M7 node has a power cap of 1300 Watts for all combinations of components (CPUs, DIMMs, drives, and so on). Also, the ambient temperature must be less than 35 °C (95 °F).



Americas Headquarters
Cisco Systems, Inc.
San Jose, CA

Asia Pacific Headquarters
Cisco Systems (USA) Pte. Ltd.
Singapore

Europe Headquarters
Cisco Systems International BV Amsterdam,
The Netherlands

Cisco has more than 200 offices worldwide. Addresses, phone numbers, and fax numbers are listed on the Cisco Website at www.cisco.com/go/offices.

Cisco and the Cisco Logo are trademarks of Cisco Systems, Inc. and/or its affiliates in the U.S. and other countries. A listing of Cisco's trademarks can be found at www.cisco.com/go/trademarks. Third party trademarks mentioned are the property of their respective owners. The use of the word partner does not imply a partnership relationship between Cisco and any other company. (1005R)